



PARTS LIST FOR
AIR COMPRESSOR/GENERATOR
AG2-PH13-08M1 , AG2-SH13-08M1
AG2-PS14-08M1, AG2-SS14-08M1
AG2-PK14-08M1, AG2-SK14-08M1
AG2-PM14-08M1, AG2-SM14-08M1

ENGINE OIL GRADE:	SAE 10W-30
ENGINE OIL CAPACITY:	
HONDA	37.0 oz.
SUBARU	40.5 oz.
KOHLER	44.0 oz.
Mi-T-M	32.0 oz.
MAXIMUM PRESSURE	175 PSI
COMPRESSOR OIL GRADE:	SAE30W Non-Detergent
COMPRESSOR OIL CAPACITY:	24.7 oz.
WATTS W/COMPRESSOR:	3000
WATTS W/O COMPRESSOR:	3500

This Parts Listing has been compiled for your benefit. You can be assured your Mi-T-M Air Compressor/Generator was constructed and designed with quality and performance in mind. Each component has been rigorously tested to insure the highest level of acceptance.

The contents of this Parts Listing are based on the latest product information available at the time of publication. Mi-T-M reserves the right to make changes in price, color, materials, equipment, specifications or models at any time without notice.

WARNING

THIS IS A PROFESSIONAL AIR COMPRESSOR/GENERATOR. CAUTION SHOULD BE OBSERVED WHEN USING OR REPAIRING THIS UNIT! READ AND FOLLOW THE SAFETY WARNINGS LISTED BELOW BEFORE ATTEMPTING ANY REPAIRS ON THIS AIR COMPRESSOR/GENERATOR!

SAFETY WARNINGS

1. NEVER alter or modify the equipment. Be sure any accessory items and system components being used will withstand the pressure developed. Serious injury may occur from an air compressor malfunction or exploding accessories if incorrect system components, attachments or accessories are used. NEVER exceed manufactures maximum allowable pressure rating of attachments. Use only genuine Mi-T-M parts for repair of your air compressor/ generator. Failure to do so can cause hazardous operating conditions and will VOID warranty.
2. NEVER make adjustments on machinery while the unit is connected to the engine without first removing the ignition cable from the spark plug. Turning over the machinery by hand during adjustment or cleaning might start the engine and machinery with it, causing serious injury to the operator.
3. Know how to stop and bleed pressures quickly. Be thoroughly familiar with controls. Do not operate without protective covers/ guards.
4. Before servicing the unit, turn unit off, relieve the pressure and allow the unit to cool down. Service in a clean, dry, flat area. Block the wheels to prevent the unit from moving. Be especially careful to properly dispose of any flammable materials.
5. After testing the machine, DO NOT leave the pressurized unit unattended. Shut off the unit and release pressure before leaving.

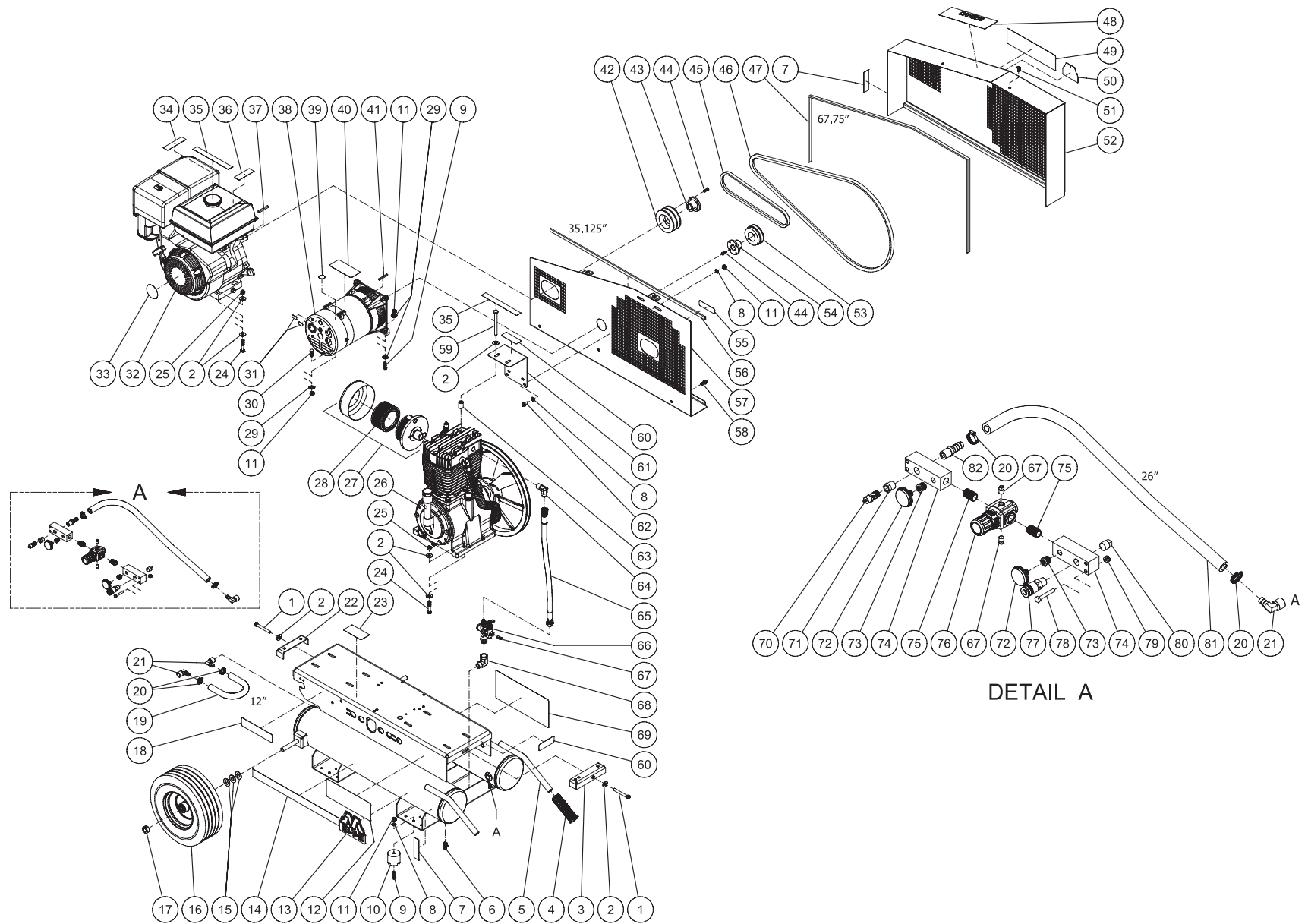
Table of Contents

SPECIFICATIONS	3
TANK ASSEMBLY FOR AG2-PH13-08M1, AG2-PK14-08M1, AG2-PM14-08M1 AND AG2-PS14-08M1	4
TANK ASSEMBLY FOR AG2-SH13-08M1, AG2-SK14-08M1, AG2-SM14-08M1 AND AG2-SS14-08M1	6
TWO STAGE COMPRESSOR (3-0298)	8
ALTERNATOR (32-0872)	10
PILOT VALVE (22-0270)	12

SPECIFICATIONS

MODEL NUMBER	AG2-PH13-08M1 / AG2-SH13-08M1	AG2-PS14-08M1 / AG2-SS14-08M1	AG2-PK-08M1 / AG2-SK14-08M1	AG2-PM14-08M1 / AG2-SM14-08M1
Engine:	Honda	Subaru	Kohler	Mi-T-M
Model	GX390	EX40	CH440	420cc
Oil Type	SAE-10W30			
Oil Capacity	37 oz.	40.5 oz.	44.0 oz.	32.0 oz.
Low Oil Protection	Oil Alert™	Oil Sensor	Oil Sentry™	Oil Alert™
Fuel Type	Unleaded Gasoline 86 Octane Minimum			
Fuel Capacity	1.7 Gallon	1.85 Gallon	1.85 Gallon	1.80 Gallon
Maximum No Load RPM	3600			
Generator:				
Watts w/ Compressor	3000			
Watts w/o Compressor	3500			
Compressor Pump:				
Number of Cylinders	2			
Compression Stages	2			
First Stage Bore	3.94			
Second Stage Bore	2.17			
Stroke	3.36			
RPM	864			
Flywheel	16.5			
Lubrication	Splash			
Oil Quantity	24.7 oz.			
Oil Type	30 W Non Detergent			
Crankcase	Cast Iron			
Bearings	Ball			
Cylinder	Cast Iron			
Valves	Reed			
Head	Aluminum			
Filter	Canister			
Pilot Valve Setting:				
Cut-out	175 PSI			
Cut-in	145 PSI			
Air Tank:				
Capacity	8 Gallons			
Performance:				
CFM Air Displacement	20.3			
CFM @ 40 PSI	17.0			
CFM @ 100 PSI	16.3			
CFM @ 175 PSI	15.7			
Maximum Pressure	175 PSI			
Pump-up Time: 0-125 PSI	46 seconds			
Recovery Time: 90-125 PSI	4 seconds			
Working Pressure Range	145-175 PSI			
Weight:				
Net	360 lbs			
Shipping	425 lbs			
Dimensions:				
Basic L x W x H	44" x 22" x 34"			
Shipping L x W x H	47" x 32" x 47"			

TANK ASSEMBLY FOR AG2-PH13-08M1, AG2-PK14-08M1, AG2-PM14-08M1 AND AG2-PS14-08M1

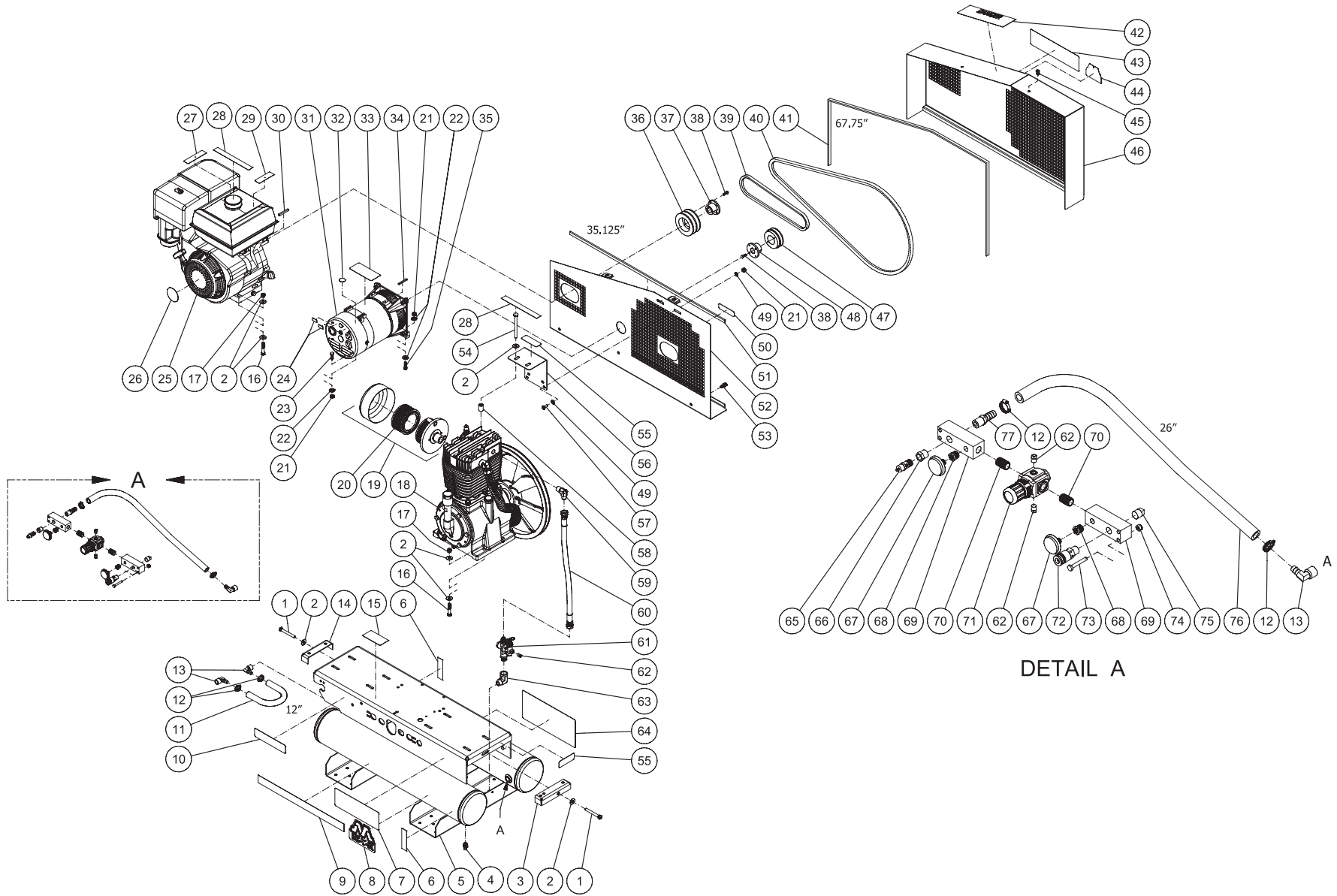


AG2-PH13_PK14_PM14_PS14-08M1 042114 ALC

TANK ASSEMBLY							
ITEM	DESCRIPTION	PART #	QTY	ITEM	DESCRIPTION	PART #	QTY
1	BOLT	27-0576	2	41	KEY	43-0073	1
2	WASHER	28-0023	20	42	SHEAVE	10-0042	1
3	TIGHTENER BRACKET	20-0812A01	1	43	BUSHING	9-0005	1
4	HANDLE GRIP	7-0059	2	44	BOLT	27-0015	4
5	8 GAL TWIN PORTABLE	12-0202A51	1	45	BELT	11-0016	1
6	PETCOCK	23-0312	2	46	BELT	11-0075	1
7	DECAL - TANK DRAIN (SEE 71-2002)	N/A	2	47	EDGING *(SIX FEET REQUIRED)	33-0020	1
8	WASHER	28-0003	6	48	DECAL- WARNING (SEE 71-2002)	N/A	1
9	BOLT	27-0068	4	49	DECAL - OPERATIONS (SEE 71-2002)	N/A	1
10	ISOLATOR	14-0008	2	50	DECAL - #2M	N/A	1
11	LOCKNUT	30-0157	7	51	FASTENER	33-0197	2
12	DECAL - MAINTENANCE (SEE 71-2002)	N/A	1	52	BELTGUARD FRONT	6-0103A51	1
13	DECAL - Mi-T-M (SEE 71-2002)	N/A	1	53	SHEAVE	10-0080	1
14	DECAL - Mi-T-M STRIPE (SEE 71-2002)	N/A	1	54	BUSHING	9-0033	1
15	WASHER	28-0008	6	55	DECAL - WARNING (SEE 71-2002)	N/A	1
16	WHEEL	14-0127	2	56	EDGING *(THREE FEET REQUIRED)	33-0020	1
17	COLLAR	33-0351	2	57	BELTGUARD BACK	6-0102A01	1
18	DECAL- SPEC'S	N/A	1	58	BOLT	27-9524	3
19	HOSE *(ONE FOOT REQUIRED)	15-0007	1	59	BOLT	27-8071	2
20	HOSE CLAMP	42-0011	4	60	DECAL - RISK OF BURNS (SEE 71-2002)	N/A	2
21	HOSE BARB	23-0418	3	61	BRACKET	13-0189A01	1
22	TIGHTENER BRACKET	20-0650A01	1	62	BOLT	27-0066	2
23	DECAL- SILVER STICKER	N/A	1	63	SPACER	33-0425	2
24	BOLT	27-0121	8	64	90° ELBOW FITTING	24-0074	1
25	LOCKNUT	30-0159	8	65	HOSE	15-0275	1
26	PUMP	3-0298	1	66	PILOT VALVE	22-0270	1
27	FILTER CANISTER	19-0237	1	67	PLUG	24-0082	3
28	AIR FILTER	19-0226	1	68	ELBOW	24-0006	1
29	WASHER	28-0022	5	69	DECAL - OPERATIONS (SEE 71-2002)	N/A	1
30	BOLT	27-0067	1	70	PRESSURE RELIEF VALVE	22-0267	1
31	DECAL - 115 VOLT (SEE 71-2002)	N/A	2	71	REDUCER	23-0017	1
32	ENGINE - HONDA	1-0086	1	72	PRESSURE GAUGE	22-0271	2
-	ENGINE - ROBIN 404cc RECOIL	1-0176	1	73	REDUCER	23-0111	2
-	ENGINE - KOHLER 429cc RECOIL	1-0208	1	74	MANIFOLD BLOCK	51-0033	2
-	ENGINE - Mi-T-M 420cc RECOIL	1-0199	1	75	NIPPLE	24-0175	2
33	DECAL - REWIND 420CC	N/A	1	76	REGULATOR	22-0231	1
34	DECAL - RISK OF BURNS (SEE 71-2002)	N/A	1	77	QC SOCKET	17-0068	1
35	DECAL - CHECK OIL	N/A	2	78	BOLT	27-0019	4
36	DECAL - RISK OF FIRE (SEE 71-2002)	N/A	1	79	LOCKNUT	30-0155	4
37	KEY	43-0078	1	80	PLUG	24-0034	1
38	GENERATOR - AR1-105/2	32-0872	1	81	HOSE *(THREE FEET REQUIRED)	15-0007	1
39	DECAL - GROUND PICTORIAL (SEE 71-2002)	N/A	1	82	HOSE BARB	23-0105	1
40	DECAL - RISK OF SHOCK (SEE 71-2002)	N/A	1	-	DECAL SET/AG1/AG2	71-2002	1

*MUST ORDER IN ONE FOOT LENGTHS

TANK ASSEMBLY FOR AG2-SH13-08M1, AG2-SK14-08M1, AG2-SM14-08M1 AND AG2-SS14-08M1

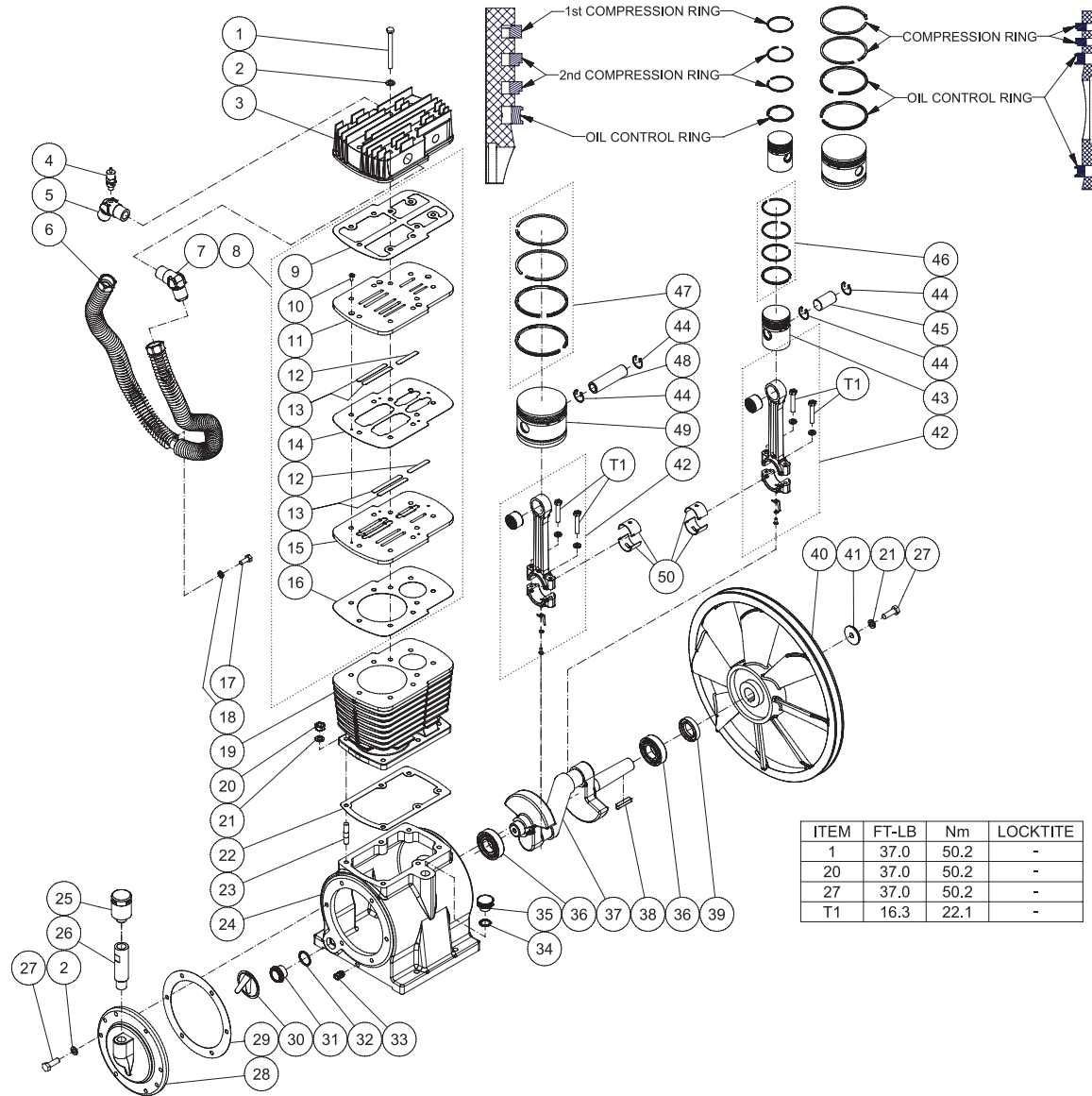


AG2-SH13_SK14_SM14_SS14-08M1 101315 JJR

TANK ASSEMBLY							
ITEM	DESCRIPTION	PART #	QTY	ITEM	DESCRIPTION	PART #	QTY
1	BOLT	27-0576	2	38	BOLT	27-0015	4
2	WASHER	28-0023	20	39	BELT	11-0016	1
3	TIGHTENER BRACKET	20-0812A01	1	40	BELT	11-0075	1
4	PETCOCK	23-0312	2	41	EDGING *(SIX FEET REQUIRED)	33-0020	1
5	TANK ASSEMBLY	12-0173A01	1	42	DECAL - WARNING (SEE 71-2002)	N/A	1
6	DECAL - TANK DRAIN (SEE 71-2002)	N/A	2	43	DECAL - OPERATIONS (SEE 71-2002)	N/A	1
7	DECAL - MAINTENANCE (SEE 71-2002)	N/A	1	44	DECAL - #2M (SEE 71-2002)	N/A	1
8	DECAL - MI-T-M (SEE 71-2002)	N/A	1	45	FASTENER	33-0197	2
9	DECAL - MI-T-M STRIPE (SEE 71-2002)	N/A	1	46	BELTGUARD FRONT	6-0103A01	1
10	DECAL- SPEC'S (SEE 71-2002)	N/A	1	47	SHEAVE	10-0080	1
11	HOSE *(ONE FOOT REQUIRED)	15-0007	1	48	BUSHING	9-0033	1
12	HOSE CLAMP	42-0011	4	49	WASHER	28-0003	4
13	HOSE BARB	23-0418	3	50	DECAL - WARNING (SEE 71-2002)	N/A	1
14	TIGHTENER BRACKET	20-0650A01	1	51	EDGING *(THREE FEET REQUIRED)	33-0020	1
15	DECAL- SILVER STICKER	N/A	1	52	BELTGUARD BACK	6-0102A01	1
16	BOLT	27-0121	8	53	BOLT	27-9524	3
17	LOCKNUT	30-0159	8	54	BOLT	27-8071	2
18	PUMP	3-0298	1	55	DECAL - RISK OF BURNS (SEE 71-2002)	N/A	2
19	FILTER CANISTER	19-0237	1	56	BRACKET	13-0189A01	1
20	AIR FILTER	19-0226	1	57	BOLT	27-0066	2
21	LOCKNUT	30-0157	5	58	SPACER	33-0425	2
22	WASHER	28-0022	5	59	90° ELBOW FITTING	24-0074	1
23	BOLT	27-0067	1	60	HOSE	15-0275	1
24	DECAL - 115 VOLT (SEE 71-2002)	N/A	2	61	PILOT VALVE	22-0270	1
25	ENGINE - HONDA	1-0086	1	62	PLUG	24-0082	3
-	ENGINE - KOHLER 429cc RECOIL	1-0208	1	63	ELBOW	24-0006	1
-	ENGINE - ROBIN 404cc RECOIL	1-0176	1	64	DECAL - OPERATIONS (SEE 71-2002)	N/A	1
-	ENGINE - KOHLER		1	65	PRESSURE RELIEF VALVE	22-0267	1
-	ENGINE - ROBIN		1	66	REDUCER	23-0017	1
26	DECAL - REWIND 420CC	34-2865	1	67	PRESSURE GAUGE	22-0271	2
27	DECAL - RISK OF BURNS (SEE 71-2002)	N/A	1	68	REDUCER	23-0111	2
28	DECAL - CHECK OIL	N/A	2	69	MANIFOLD BLOCK	51-0033	2
29	DECAL - RISK OF FIRE (SEE 71-2002)	N/A	1	70	NIPPLE	24-0175	2
30	KEY	43-0078	1	71	REGULATOR	22-0231	1
31	GENERATOR - AR1-105/2	32-0872	1	72	QC SOCKET	17-0068	1
32	DECAL- GROUND PICTORIAL (SEE 71-2002)	N/A	1	73	BOLT	27-0019	4
33	DECAL - RISK OF SHOCK (SEE 71-2002)	N/A	1	74	LOCKNUT	30-0155	4
34	KEY	43-0073	1	75	PLUG	24-0034	1
35	BOLT	27-0068	2	76	HOSE *(THREE FEET REQUIRED)	15-0007	1
36	SHEAVE	10-0042	1	77	HOSE BARB	23-0105	1
37	BUSHING	9-0005	1	-	DECAL SET/AG1/AG2	71-2002	1

*MUST ORDER IN ONE FOOT LENGTHS

TWO STAGE COMPRESSOR (3-0298)

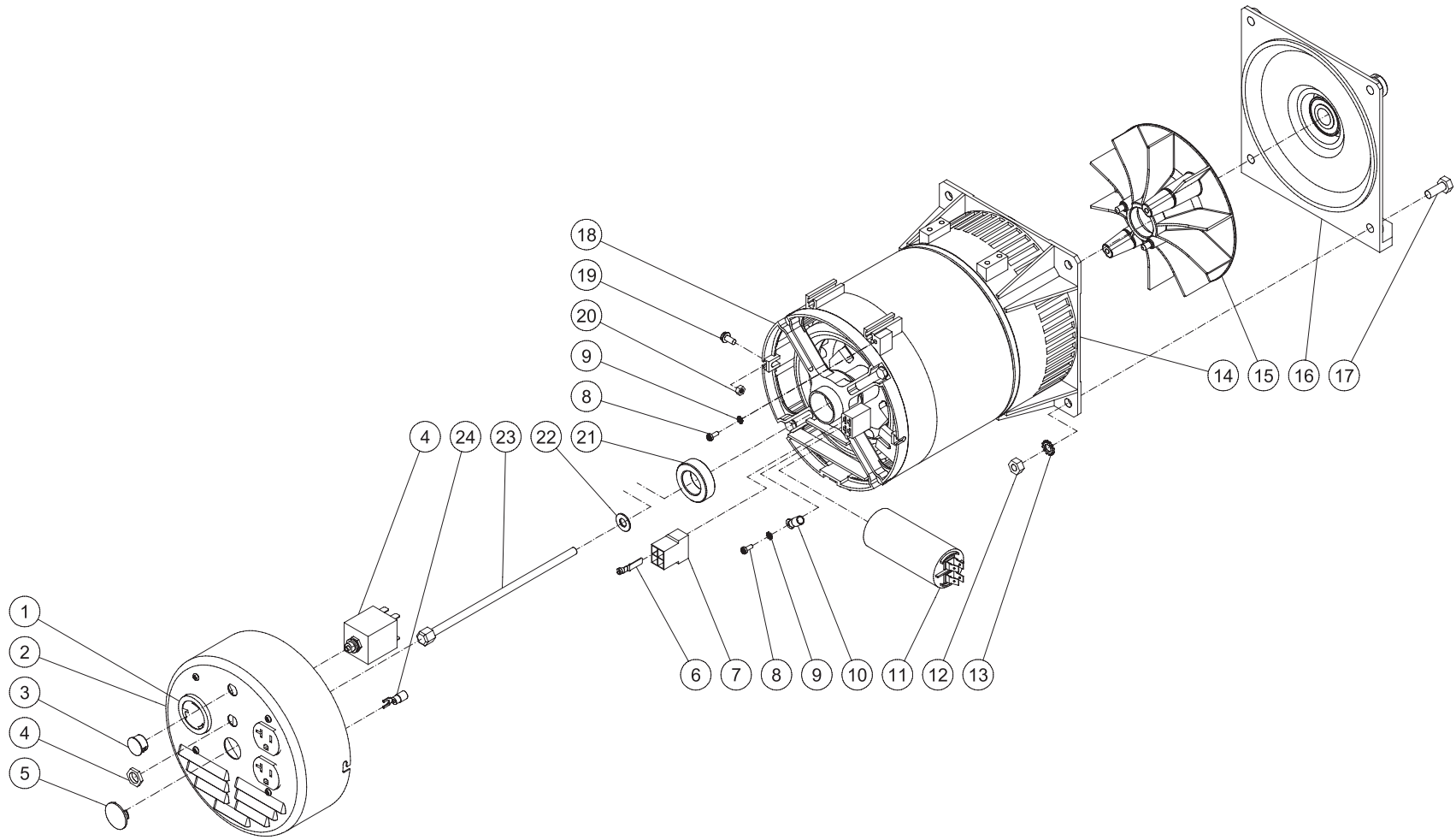


3-0298 102616 JJR

PUMP ASSEMBLY

ITEM	DESCRIPTION	PART #	QTY	ITEM	DESCRIPTION	PART #	QTY
1	BOLT	27-8043	9	27	BOLT	27-8061	7
2	COPPER WASHER	28-1059	15	28	REAR CRANKCASE COVER	46-1278	1
3	CYLINDER HEAD	46-1272	1	29	GASKET - REAR CRANKCASE COVER	N/A	1
4	LP SAFETY VALVE	22-0362	1	30	OBSTRUCT OIL NET	46-1279	1
5	65° OUTLET ELBOW W/PORT	24-0304	1	31	OIL LEVEL SIGHT GLASS	46-1280	1
6	INTERCOOLER TUBE	46-1273	1	32	O-RING	25-0150	1
7	65° OUTLET ELBOW	24-0305	1	33	PLUG	24-0009	1
8	KIT - VALVE PLATE ASSY - (INC. 9-16)	70-0473	1	34	O-RING	25-0160	1
9	GASKET - VALVE PLATE (UPPER)	N/A	1	35	OIL FILL CAP	46-1281	1
10	SCREW	N/A	4	36	BALL BEARING	48-0024	2
11	UPPER VALVE SEAT	N/A	1	37	PUMP CRANKSHAFT	46-1282	1
12	HP VALVE REED	N/A	2	38	KEY	43-0125	1
13	LP VALVE REED	N/A	4	39	OIL SEAL	26-0302	1
14	GASKET - VALVE PLATE (MIDDLE)	N/A	1	40	FLYWHEEL	10-0139	1
15	LOWER VALVE SEAT	N/A	1	41	WASHER	N/A	1
16	GASKET - VALVE PLATE (LOWER)	N/A	1	42	KIT - HP CONNECTING ROD ASSEMBLY (INC. 49)	70-0468	2
17	BOLT	27-8032	1	43	PISTON	46-1283	1
18	LOCKWASHER	29-0054	1	44	PISTON SNAP RING	46-1284	4
19	CYLINDER	46-1274	1	45	PISTON PIN	46-1285	1
20	NUT	30-7203	6	46	KIT - HP PISTON RING	70-0469	1
21	LOCKWASHER	29-0055	7	47	KIT - LP PISTON RING	70-0470	1
22	GASKET - CYLINDER	N/A	1	48	PISTON PIN	46-1286	1
23	STUD	27-8991	6	49	PISTON	46-1287	1
24	PUMP CRANKCASE	46-1275	1	50	CONNECTING ROD BUSHING	46-1288	4
25	BREATHER ASSY	46-1276	1	-	KIT - PUMP GASKET - (INC. 9, 14, 16, 22, 29)	70-0472	1
26	BREATHER PIPE	46-1277	1				

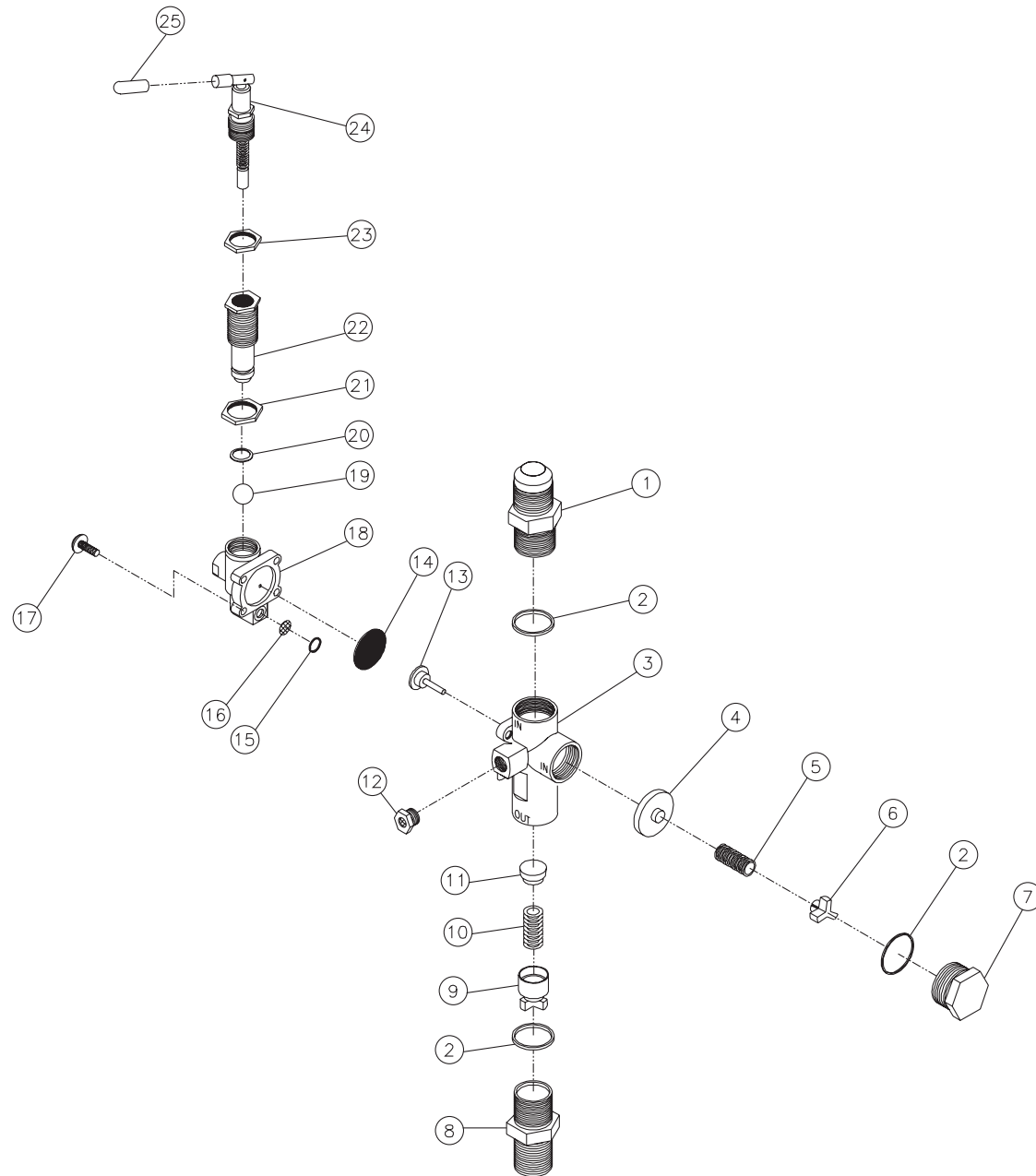
ALTERNATOR (32-0872)



32-0872 112614 RJA

32-0872 112614 RJA			
ALTERNATOR (32-0872)			
ITEM	DESCRIPTION	PART #	QTY
1	120V-30A RECEPTACLE	32-1081	1
2	END COVER - CAP ONLY	52-0098	1
3	PLUG	39-0234	1
4	CIRCUIT BREAKER	32-1083	1
5	ALTERNATOR CAP	52-0075	1
6	TERMINAL SPADE	32-0878	4
7	TERMINAL PLUG	52-0077	1
8	SCREW	27-8187	2
9	LOCKWASHER	29-1013	2
10	TERMINAL RING	32-0002	2
11	CAPACITOR	32-0873	1
12	NUT	30-0058	4
13	LOCKWASHER	29-0110	4
14	BRACKET	52-0094	1
15	FAN	52-0093	1
16	FLANGE	52-0097	1
17	BOLT	27-8032	4
18	BRACKET	52-0095	1
19	SCREW	27-9593	2
20	NUT	30-6001	2
21	BEARING	52-0096	1
22	WASHER	28-0003	1
23	BOLT	27-9584	1
24	TERMINAL FORK	32-0034	3

PILOT VALVE (22-0270)



22-0270-062905-DLG

PILOT VALVE (22-0270)			
REF #	DESCRIPTION	PART #	QTY
1	Inlet Port Fitting	N/A	1
2	O-ring (See 70-0241)	N/A Sep.	3
3	Main Body	N/A	1
4	Piston Assembly-Unloader Valve (See 70-0241)	N/A Sep.	1
5	Spring-Unloader Valve (See 70-0241)	N/A Sep.	1
6	Spring Seat-Unloader Valve	N/A	1
7	Cap	N/A	1
8	Discharge Port Fitting	N/A	1
9	Spring Seat Assembly-Check Valve	N/A	1
10	Spring-Check Valve (See 70-0241)	N/A Sep.	1
11	Piston-Check Valve (See 70-0241)	N/A Sep.	1
12	Muffler	23-0419	1
13	Stem Unloader (See 70-0241)	N/A Sep.	1
14	Diaphragm (See 70-0241)	N/A Sep.	1
15	O-ring (See 70-0241)	N/A Sep.	1
16	Screen (See 70-0241)	N/A Sep.	1
17	Screw w/Washer	N/A	4
18	Pilot Body	N/A	1
19	Ball (See 70-0241)	N/A Sep.	1
20	O-ring (See 70-0241)	N/A Sep.	1
21	Differential Adjusting Locknut	N/A	1
22	Differential Adjusting Nut	N/A	1
23	Pressure Adjusting Locknut	N/A	1
24	Pressure Adjusting Toggle Assembly (See 70-0241)	N/A Sep.	1
25	Red Toggle Cover	N/A	1
	Repair Kit (Includes 4-5, 10-11, 13-16, 19-20, 24 and 3 each 2)	70-0241	

Manufactured by Mi-T-M
50 Mi-T-M Drive, Peosta IA 52068
563-556-7484/ Fax 563-556-1235