

Figure 11 - Machine Assembly, Left Side View

Ref. No.	Part No.	Description	Qty.
1	375447	Chassis	1
2	646089	Decal Warnings	1
3	444469	Decal Shark Detergent	1
4	Fig. 16	Coil Inlet Assembly	1
5	829980	Shark Logo Plate	2
6	926598	Rivet	8
7	213044	Burner Exhaust Vent	1
8	268004	Insulation	1
9	860102	Retaining Ring	1
10	824115	Vent Clip	4
11	Fig. 15	Coil Outlet Assembly	1
12	823987	Hose Clamp	1
13	961532	Tubing 3/8"	*
14	Fig. 14	Control Box Assembly	1

Ref. No.	Part No.	Description	Qty.
15	Fig. 17	Pump Assembly	1
16	■	Bolt 3/8" - 16 x 1"	4
17	■	Lock Washer 3/8"	4
18	826167	Strain Relief	2
19	703127	Strain Relief Nut	2
20	Fig. 19	Fuel Tank Assembly	1
21	■	Bolt 1/4" - 20 x 1/2"	2
22	■	Flat Washer 1/4"	6
23	■	Locknut 1/4" - 20	4
24	375292	Mounting Plate	1
25	220119	Battery Box	1
26	890904	Battery Terminal	2

* Order amount needed in feet.

■ Standard hardware item available locally.

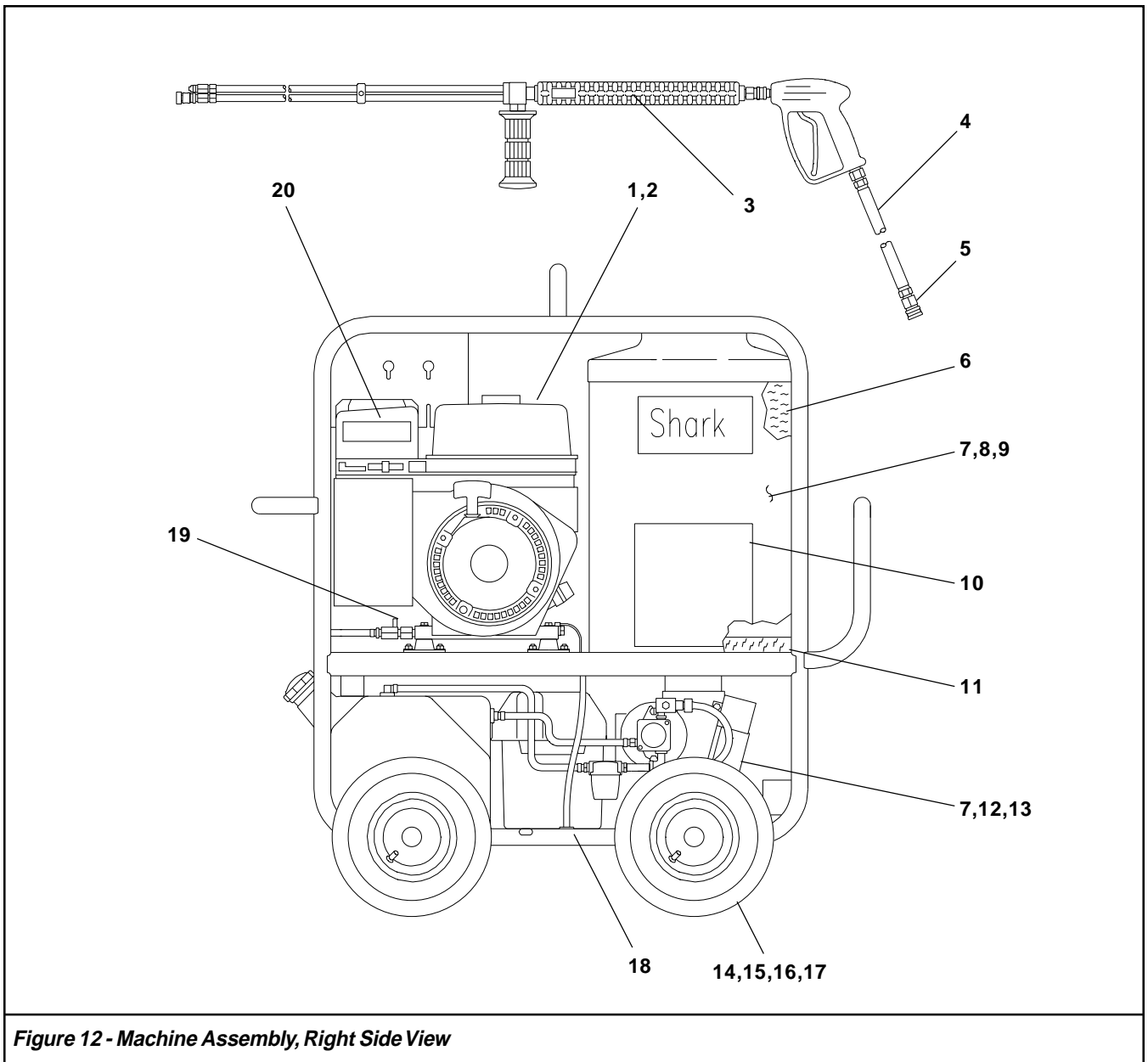


Figure 12 - Machine Assembly, Right Side View

Ref. No.	Part No.	Description	Qty.
1	661252	Engine	1
2	753151	Key 1/4" x 1/4" x 2"	1
3	Fig. 20	Trigger Gun/Dual Lance Wand	1
4	707226	Pressure Hose	1
5	826176	Quick Disconnect	1
6	268013	Insulation	1
7	799362	Crownlock Nut 5/16" - 18	7
8	■	Fender Washer 5/16"	4
9	375443	Coil Tank (1020A)	1
	375446	Coil Tank (1020SS)	1
10	646047	Decal Troubleshooting	1

Ref. No.	Part No.	Description	Qty.
11	213191	Insulation	1
12	Fig. 21	Burner Assembly	1
13	■	Flat Washer 5/16"	3
14	■	Flat Washer 5/8"	8
15	983013	Wheel	4
16	817322	Hubcap	4
17	848616	Push Nut	4
18	815329	Snap Bushing	1
19	Fig. 23	Oil Drain Assembly	1
20	232025	Decal Battery	1

■ Standard hardware item available locally.

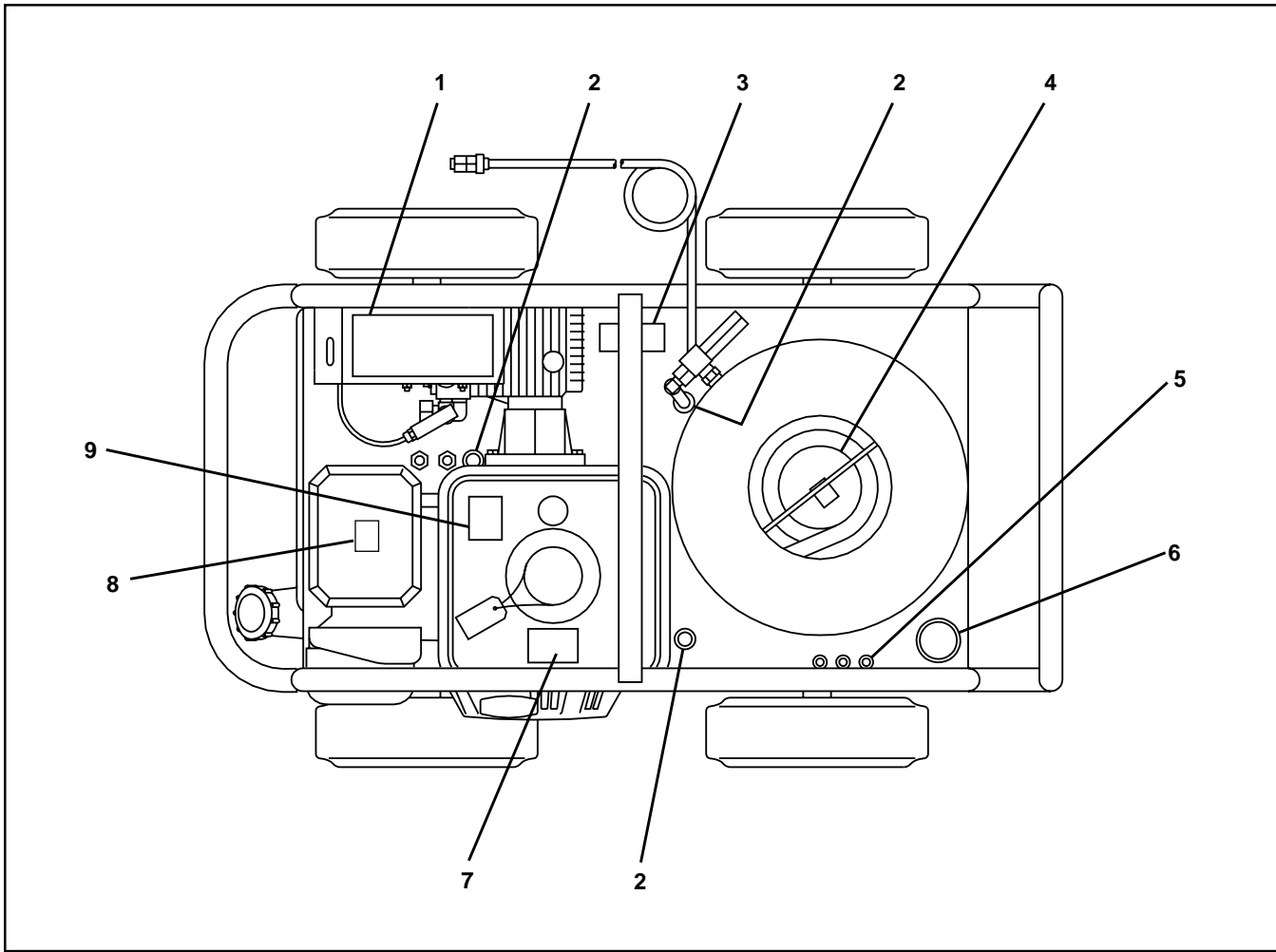


Figure 13 - Machine Assembly, Top View

Ref. No.	Part No.	Description	Qty.
1	646088	Decal Operating Instructions	1
2	815329	Snap Bushing	3
3	834154	Decal Winterize	1
4	240834	Coil	1
5	859815	Grommet (Nozzle Holder)	3

Ref. No.	Part No.	Description	Qty.
6	859806	Grommet (Wand Holder)	1
7	444461	Decal Caution Gasoline	1
8	646115	Decal Hot Surface	1
9	646026	Decal Carbon Monoxide	1

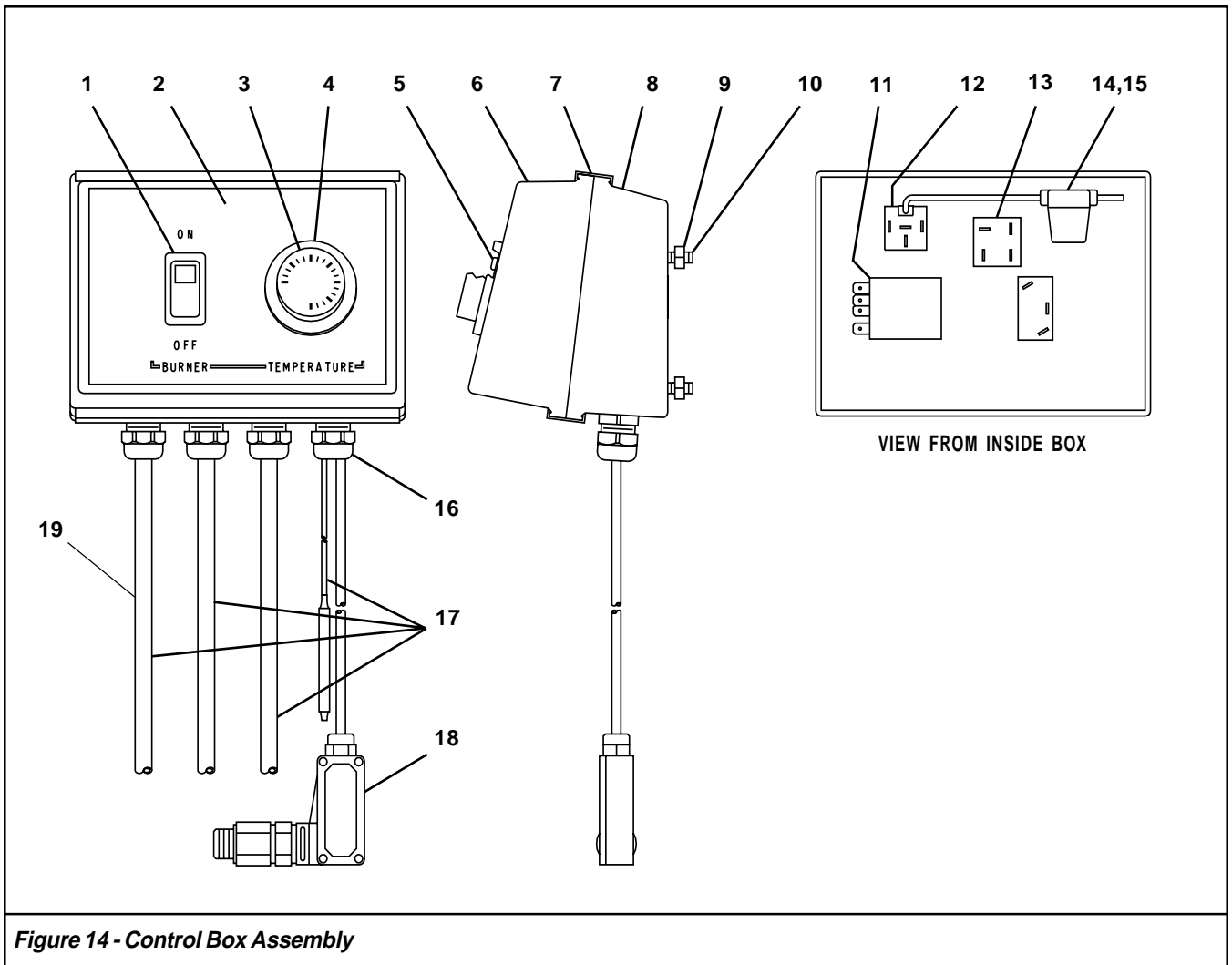


Figure 14 - Control Box Assembly

Ref. No.	Part No.	Description	Qty.
1	875465	Burner Switch	1
2	645932	Decal Control Box	1
3	835150	Thermostat Dial	1
4	915390	Thermostat Mounting Plate	1
5	■	Screw 4 mm x 6 mm	2
6	615413	Control Box Front	1
7	630649	Channel	2
8	615414	Control Box Back	1
9	■	Locknut 1/4" - 20	4
10	■	Bolt 1/4" - 20 x 3/4"	4
11	955940	Thermostat	1
12	860140	Isolation Relay	1

Ref. No.	Part No.	Description	Qty.
13	645990	Bridge Rectifier	1
14	676638	Fuse 30 Amp	1
15	707146	Fuse Holder	1
16	826184	Strain Relief	4
17	847750	Wire Cover	*
18	⊕ 875651	Pressure Switch	1
19	218204	Engine Wiring Harness	2

■ Standard hardware item available locally.

* Order amount needed in feet.

Replacement Parts

⊕	753134	O-Ring Kit	1
⊕	875653	Switch	1

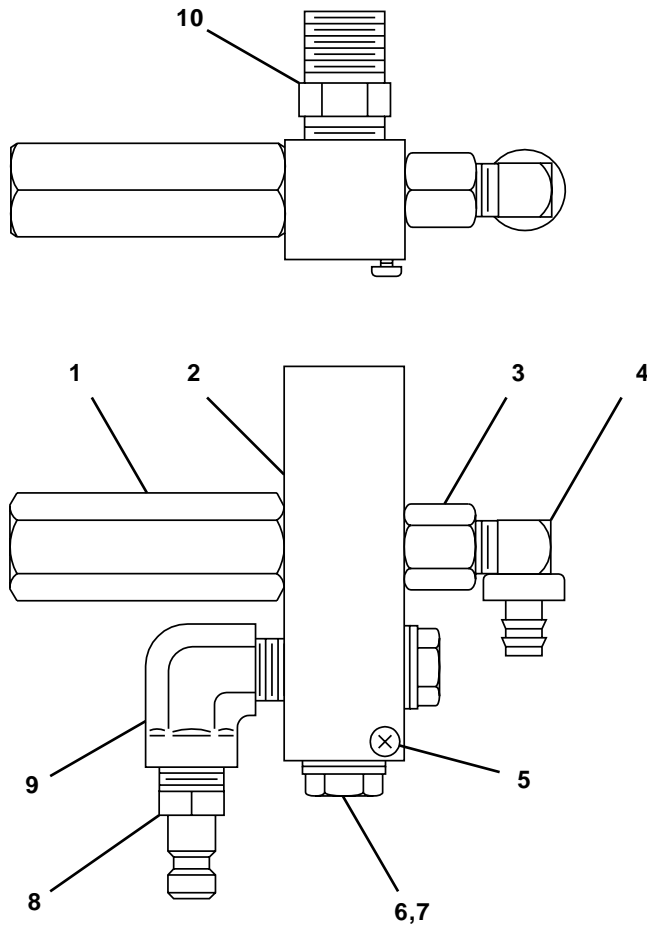


Figure 15 - Coil Outlet Assembly

Ref. No.	Part No.	Description	Qty.
1	630720	Relief Valve Cartridge	1
2	783845	Relief Valve Manifold	1
3	875555	Relief Valve Seat	1
4	799501	Elbow 1/4" x 3/8" Hose	1
5	■	Screw 4 mm x 6 mm	1
6	780565	Copper Washer	2

Ref. No.	Part No.	Description	Qty.
7	915630	Plug 3/8"	2
8	844806	Quick Disconnect Plug	1
9	644802	Street Elbow 3/8"	1
10	698247	Hex Nipple 1/2" x 2"	1

■ Standard hardware item available locally.

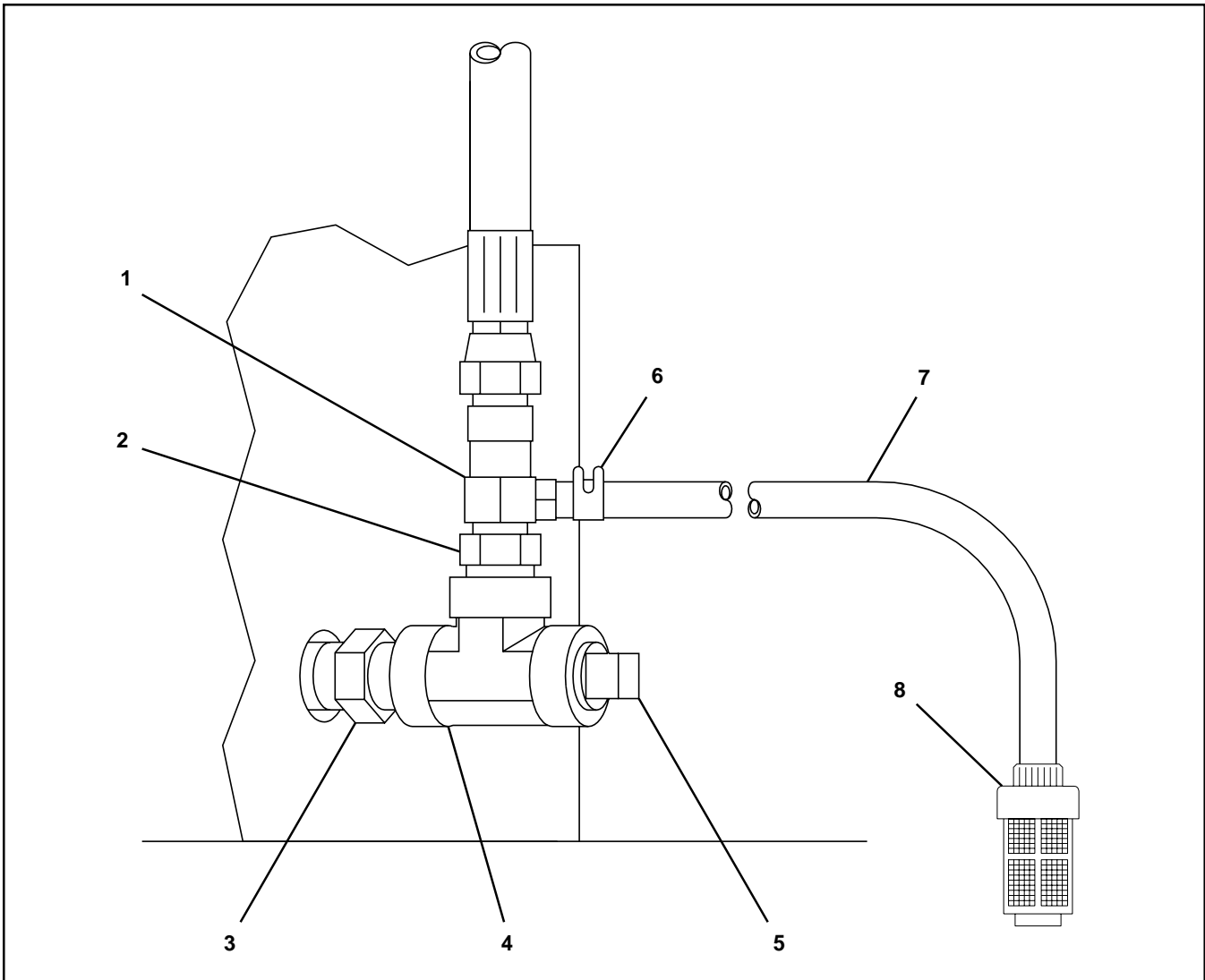


Figure 16 - Coil Inlet Assembly

Ref. No.	Part No.	Description	Qty.
1	873594	Detergent Injector	1
2	815220	Reducer Bushing 1/2" x 3/8"	1
3	698247	Hex Nipple 1/2" x 2"	1
4	754717	Tee 1/2"	1
5	715755	Coil Drain Plug	1

Ref. No.	Part No.	Description	Qty.
6	823989	Hose Clamp	1
7	961534	Tubing 1/4"	*
8	935159	Filter Screen	1

* Order amount needed in feet.

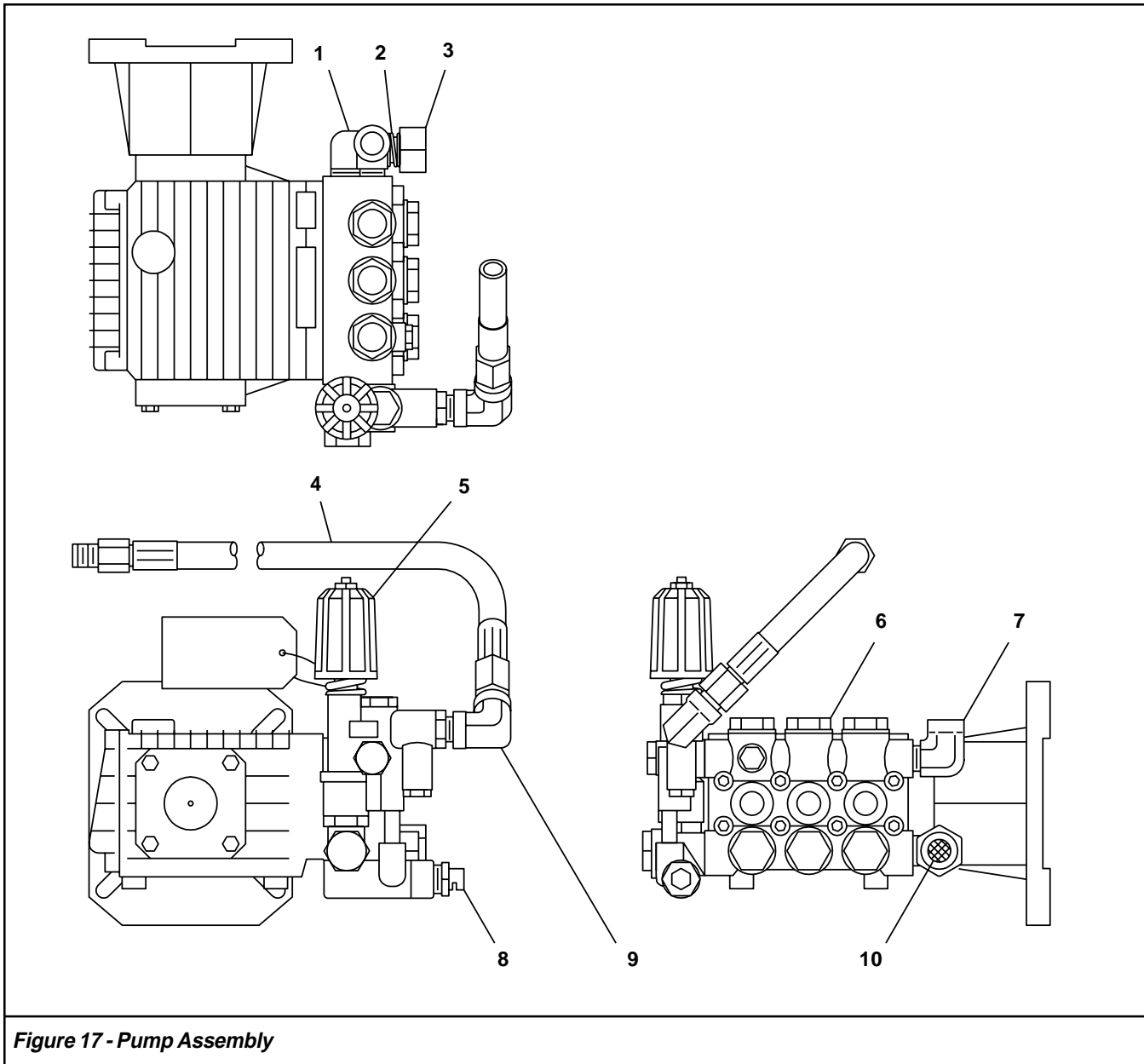


Figure 17 - Pump Assembly

Ref. No.	Part No.	Description	Qty.
1	844758	Street Elbow 1/2"	1
2	875575	Garden Hose Connector Spring	1
3	801139	Garden Hose Connector	1
4	707179	Hose 3/8" x 30"	1
5	✳ 921425	Unloader Valve	1
6	829772	Pump Fig. 18	1

Ref. No.	Part No.	Description	Qty.
7	644802	Street Elbow 3/8"	1
8	921422	Thermal Relief Valve	1
9	644751	Elbow 3/8"	1
10	856035	Garden Hose Connector Gasket	1
Replacement Parts			
	✳ 753073	Unloader Valve Repair Kit	1

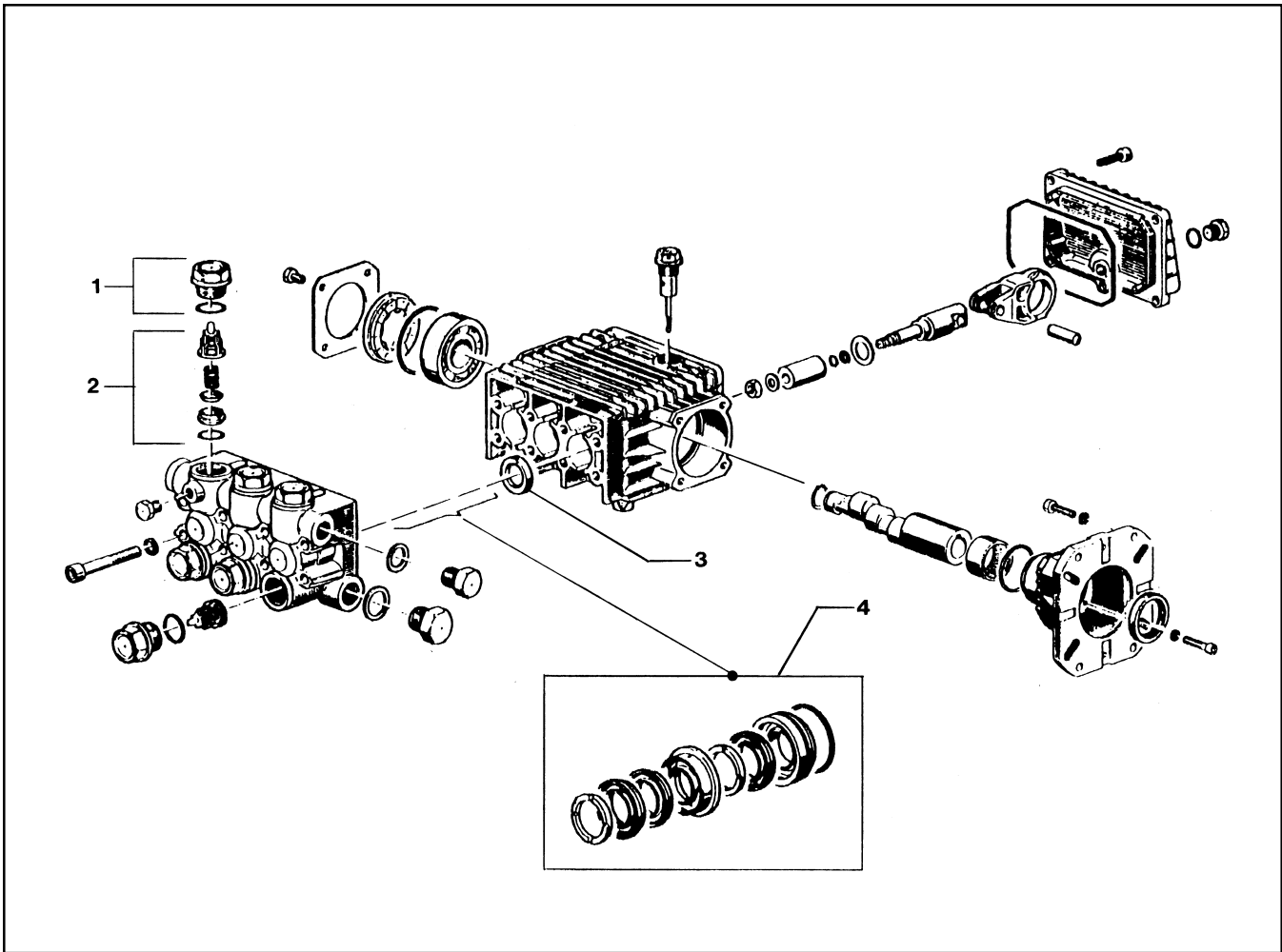


Figure 18 - Pump, Exploded View

Ref. No.	Part No.	Description	Qty/Pump
1	753084	Valve Plug Kit	6
2	753083	Check Valve Kit	3

Ref. No.	Part No.	Description	Qty/Pump
3	753079	Oil Seal Kit	3
4	753085	Plunger Seal Kit	3

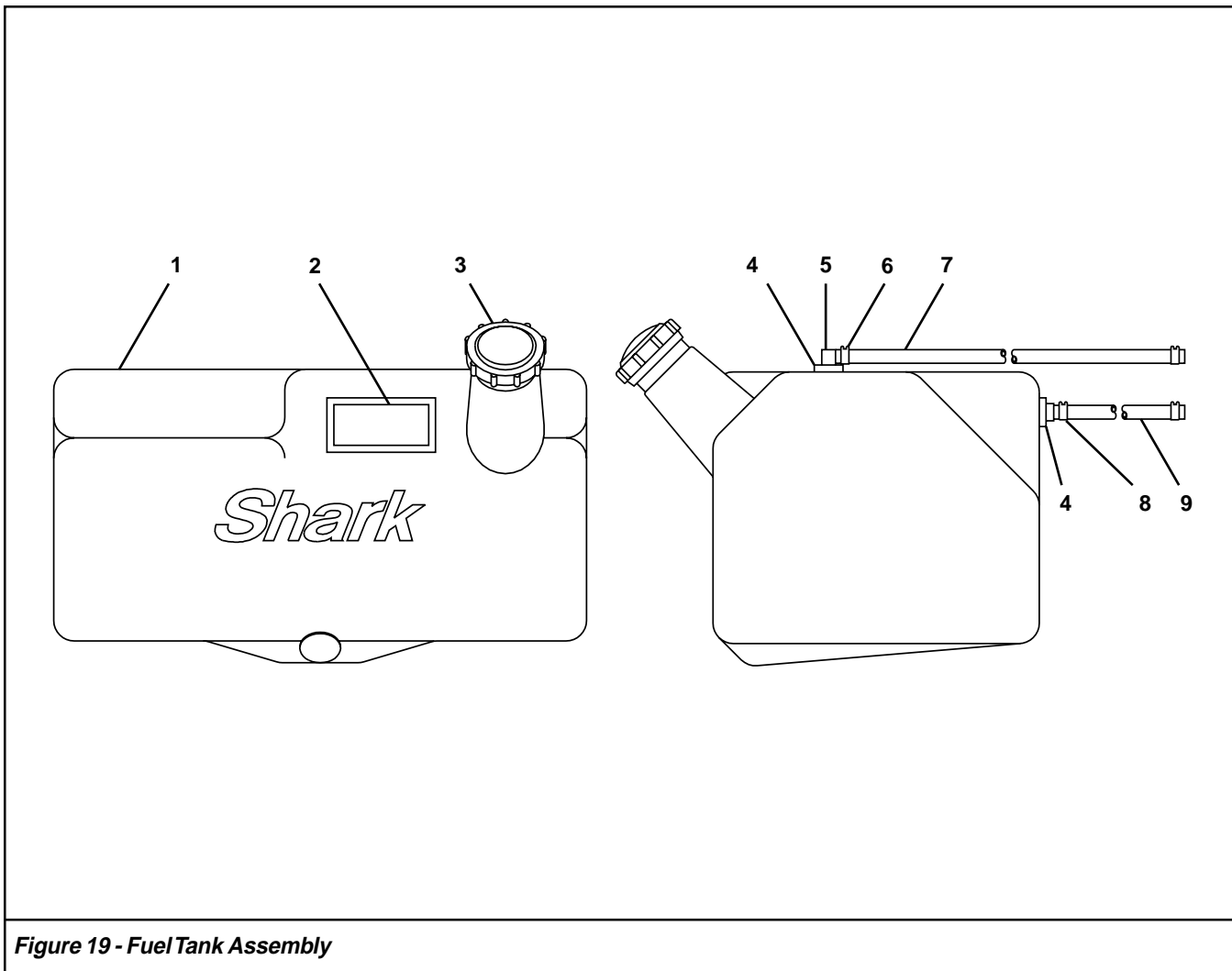


Figure 19 - Fuel Tank Assembly

Ref. No.	Part No.	Description	Qty.
1	890890	Fuel Tank	1
2	834153	Decal Fuel Type	1
3	817312	Fuel Tank Cap	1
4	815230	Bushing	2
5	661277	Elbow 1/4" Hose x Stand Pipe	1

Ref. No.	Part No.	Description	Qty.
6	823988	Hose Clamp	4
7	707116	Hose 1/4" Green	*
8	309294	Nipple 3/8" Hose x 1/4" Hose	1
9	867368	Hose 1/4" Black	*

* Order amount needed in feet.

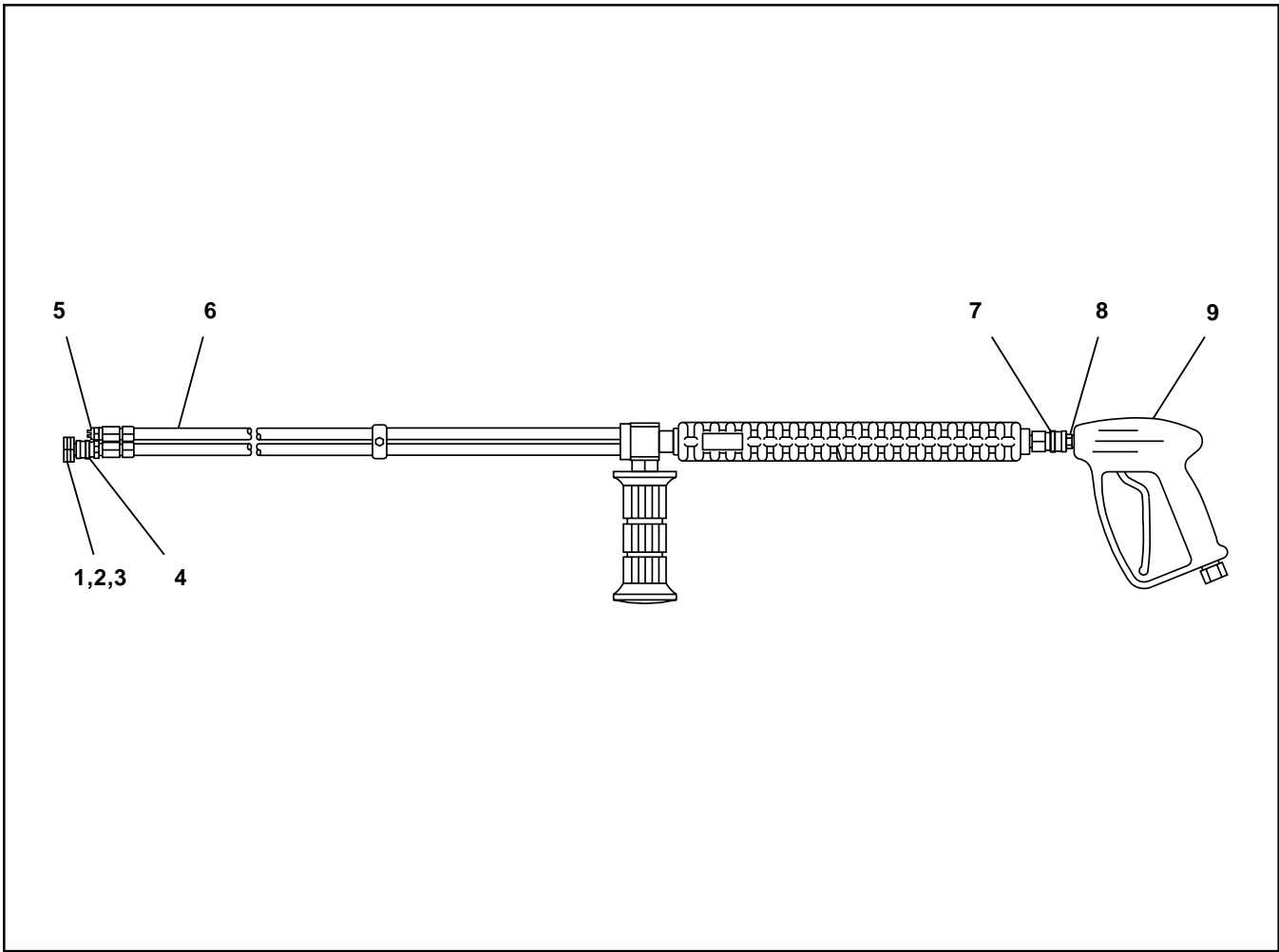


Figure 20 - Trigger Gun/Dual Lance Wand Assembly

Ref. No.	Part No.	Description	Qty.
1	799024	Pressure Nozzle (White)	1
2	799012	Pressure Nozzle (Yellow)	1
3	799000	Pressure Nozzle (Red)	1
4	826170	Quick Disconnect	1
5	900958	Detergent Nozzle	1
6	⊕ 936686	Dual Lance Wand	1

Ref. No.	Part No.	Description	Qty.
7	826169	Quick Disconnect	1
8	915786	Quick Disconnect Plug	1
9	* 691867	Trigger Gun	1
Replacement Parts			
	⊕ 859762	Insulator Grip Assembly	1
	* 753179	Trigger Gun Repair Kit	1

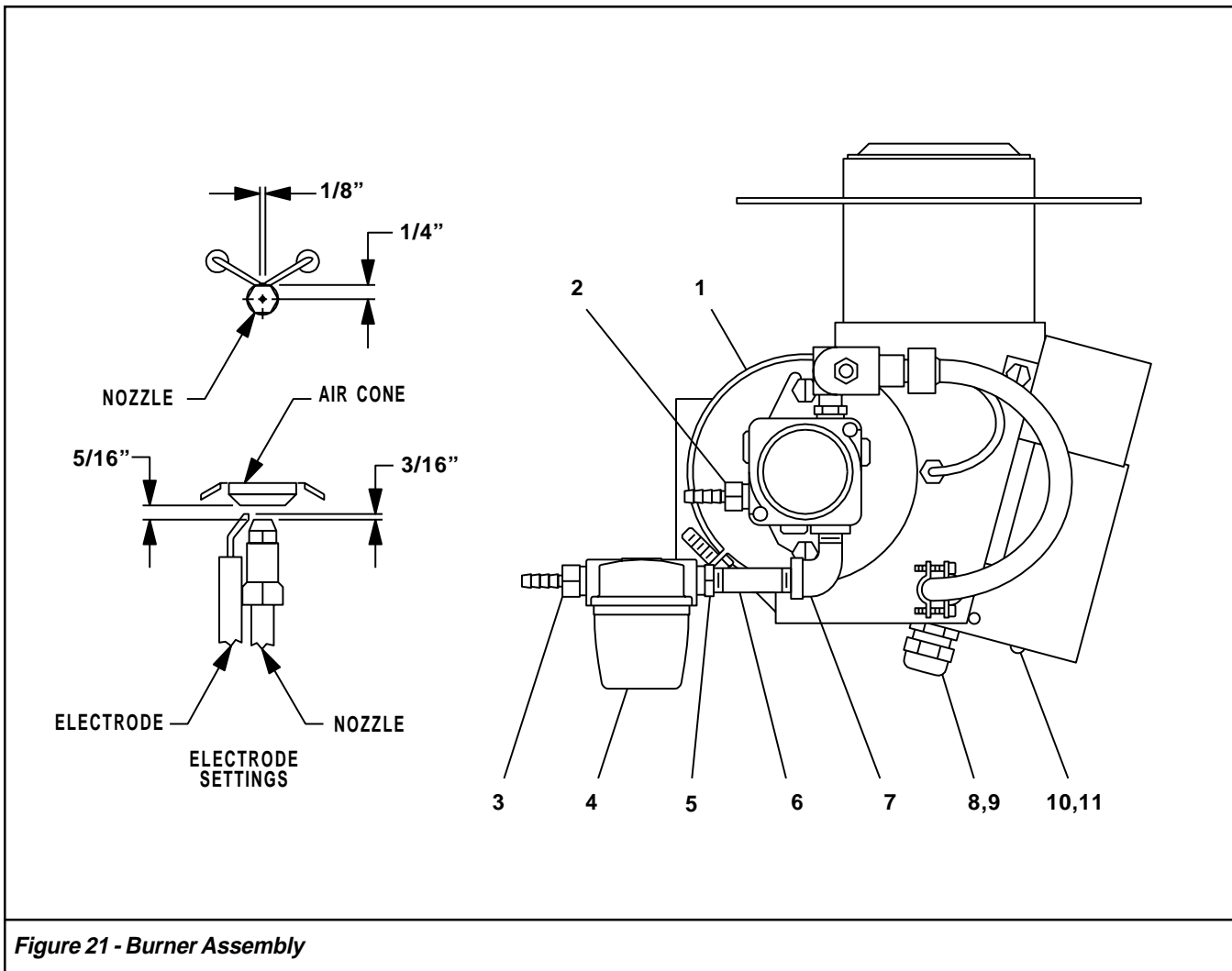


Figure 21 - Burner Assembly

Ref. No.	Part No.	Description	Qty.
1	615851	Burner Fig. 22	1
2	698020	Nipple 1/4" x 1/4" Hose	1
3	698023	Nipple 3/8" x 1/4" Hose	1
4	⊕ 851080	Fuel Filter	1
5	615279	Reducer Bushing 3/8" x 1/4"	1
6	698200	Pipe Nipple 1/4" x 2-1/2"	1
7	644750	Street Elbow 1/4"	1
8	826167	Strain Relief 1	1

Ref. No.	Part No.	Description	Qty.
9	703127	Strain Relief Nut	1
10	■	Screw #6 - 32 x 1"	1
11	■	Locknut #6 - 32	1

■ Standard hardware item available locally.

Replacement Parts

⊕	875490	Filter Element	1
---	--------	----------------	---

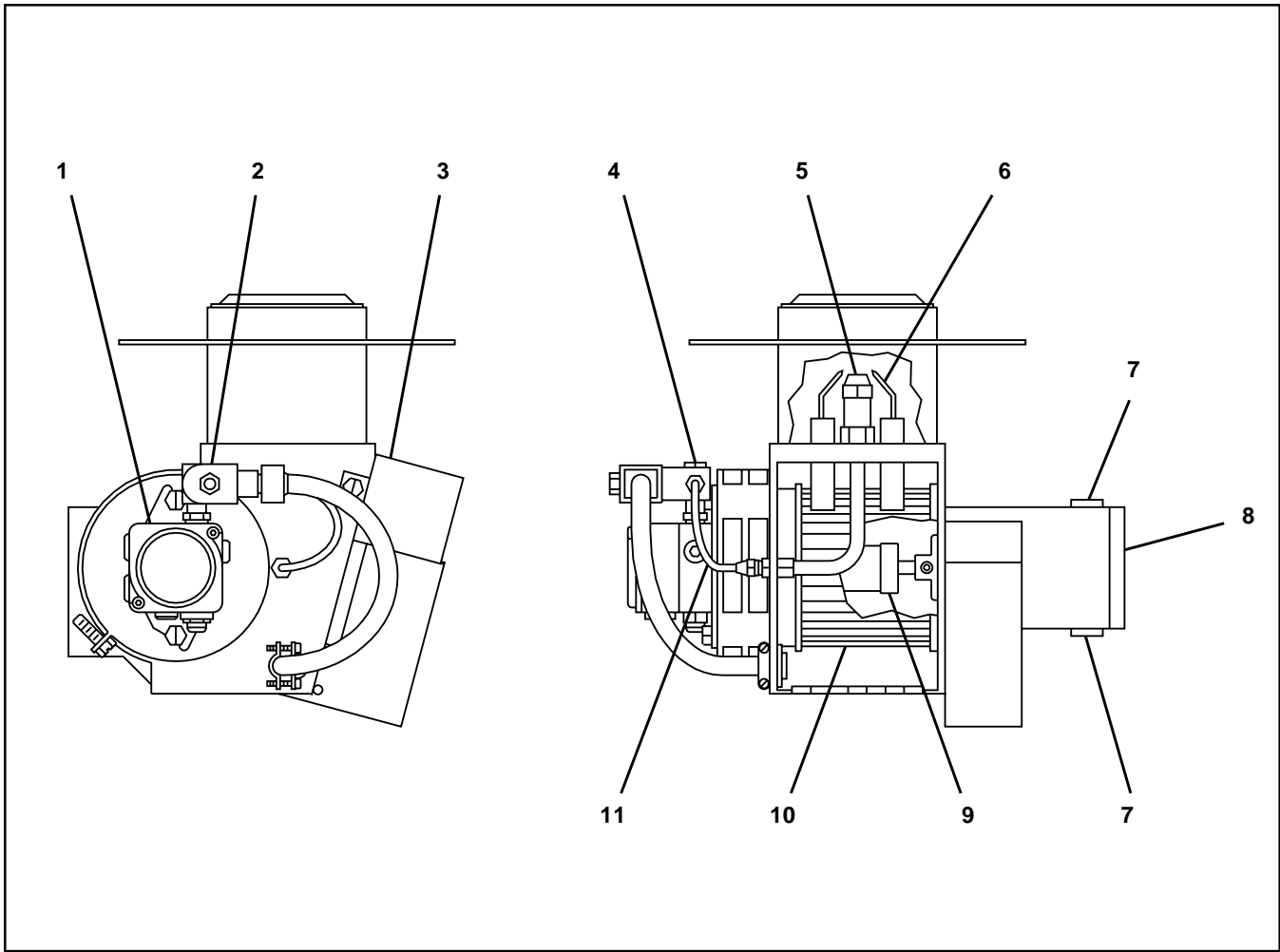


Figure 22 - Burner Parts Breakdown

Ref. No.	Part No.	Description	Qty.
1	919791	Fuel Pump	1
2	944422	Solenoid Valve	1
3	890906	Ignitor	1
4	901230	Solenoid Metering Bolt	1
5	799089	Nozzle	1
6	661302	Electrode (Pair)	1
7	753167	Brush Kit	2
8	784353	Motor	1

Ref. No.	Part No.	Description	Qty.
9	825924	Coupling	1
10	676865	Blower Fan	1
11	880806	Fuel Line	1
NS	875312	Relay	1
NS	895312	Timer	1
NS	890916	Terminal Block	1
NS	877667	Tune Up Repair Kit	1

NS = Not Shown

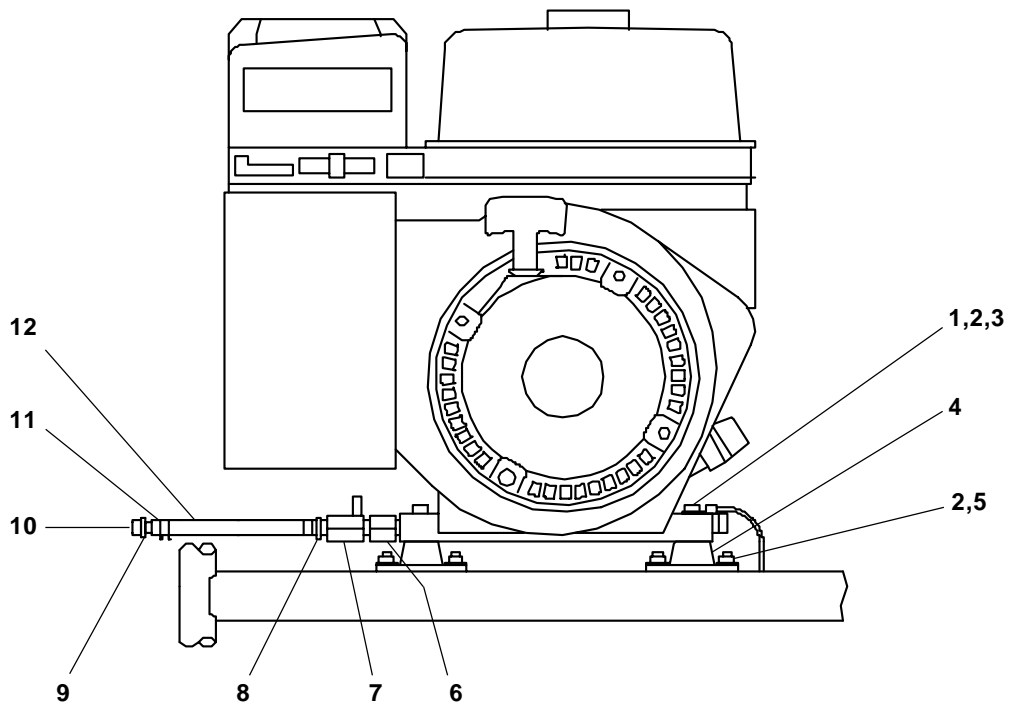


Figure 23 - Oil Drain Assembly

Ref. No.	Part No.	Description	Qty.
1	■	Flange Bolt 5/16" - 18 x 1-1/2"	4
2	■	Flat Washer 5/16"	12
3	■	Lock Washer 5/16" External Tooth	1
4	784446	Vibration Mount 30 Durometers (<i>side shown</i>)	1
	785096	Vibration Mount 40 Durometers (<i>pump side</i>)	1
5	799362	Crownlock Nut 5/16" - 18	8
6	860282	Reducer 1/4" x M14	1
7	921584	Oil Drain Valve	1
8	698020	Nipple 1/4" x 1/4" Hose	1

Ref. No.	Part No.	Description	Qty.
9	698019	Nipple 1/8" x 1/4" Hose	1
10	630980	Pipe Cap 1/8"	1
11	823988	Hose Clamp	2
12	867368	Hose 1/4"	*

* Order amount needed in feet.

■ Standard hardware item available locally.