

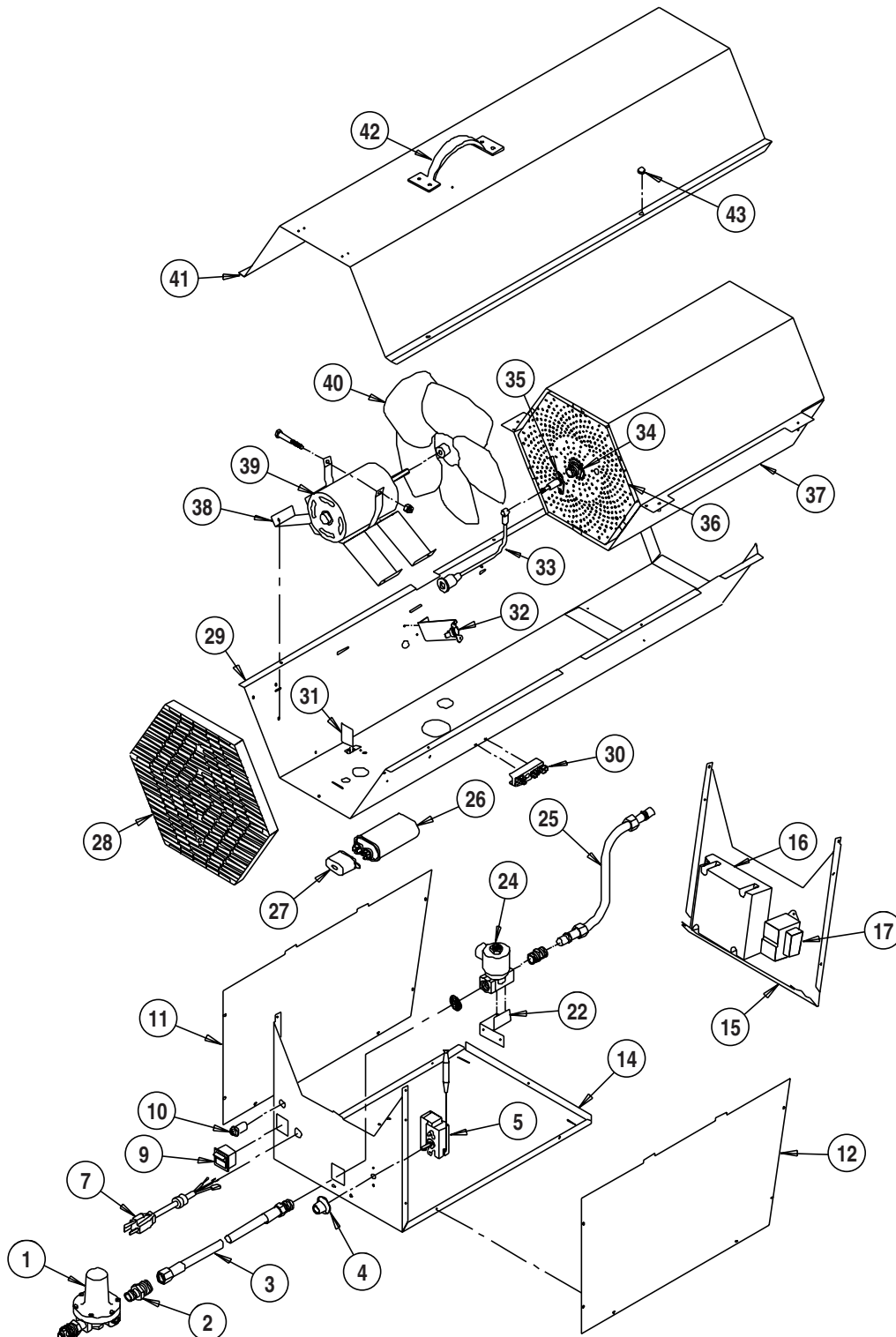


***TRADESMAN***

***Portable Forced Air Heaters***

# Portable Forced Air Heaters

## MODEL CP400B DIAGNOSTIC



# Portable Forced Air Heaters



## PARTS IDENTIFICATION

| <b>Item</b> | <b>Description</b>                             | <b>Model<br/>CP400B<br/>Diagnostic</b> |
|-------------|--|--|
| 1           | Regulator, w/ POL                              | 130-22315                              |
| 2           | Hose Adapter, regulator outlet                 | 310-21997                              |
| 3           | Hose, Fixed X Swivel, 3/8in. x 10 ft           | 400-21841                              |
|             | Hose, Fixed x Swivel, 3/8in. x 15 ft. (Canada) | 400-22278                              |
| 4           | Thermostat Knob                                | 130-22214                              |
| 5           | Thermostat                                     | 120-22213                              |
| 7           | Power Cord                                     | 400-08961                              |
| 9           | Switch, On/Off                                 | 120-08240                              |
| 10          | L.E.D.   | 120-22299                              |
| 11          | Case, Right Side                               | 271-08017                              |
| 12          | Case, Left Side                                | 271-08016                              |
| 14          | Case, Bottom and Back                          | 271-22293                              |
| 15          | Case, Front                                    | 271-22291                              |
| 16          | Direct Spark Ignition Control                  | 120-22301                              |
| 17          | Transformer                                    | 120-06979                              |
| 22          | Bracket, Solenoid Mount                        | 225-22295                              |
| 24          | Solenoid Valve with Screen, 24V                | 400-22313                              |
| 25          | Tube, Formed Copper                            | 410-22225                              |
| 26          | Capacitor                                      | 120-04720                              |
| 27          | Capacitor Boot                                 | 120-04938                              |
| 28          | Air Inlet Guard                                | 225-06307                              |
| 29          | Case, Barrel Bottom                            | 271-22290                              |
| 30          | Terminal Block                                 | 120-22296                              |
| 31          | Switch, Air Proving with Bracket               | 400-22526                              |
| 32          | Switch, Backflash Assembly, Manual Reset       | 400-22294                              |
| 33          | Wire, Igniter                                  | 120-20409                              |
| 34          | Orifice with Retaining Rings                   | 550-20410                              |
| 35          | Igniter with Fasteners                         | 500-20312                              |
| 36          | Burner Plate                                   | 240-06314                              |
| 37          | Combustion Chamber (2 required)                | 260-06311                              |
| 38          | Bracket, Motor Mount with Bolt                 | 550-06717                              |
| 39          | Motor  | 120-04719                              |
| 40          | Fan  | 130-22302                              |
| 41          | Case, Top                                      | 271-08013                              |
| 42          | Handle   | 130-03941                              |
| 43          | Nut, Acorn                                     | 130-03938                              |

N/A - Not Applicable