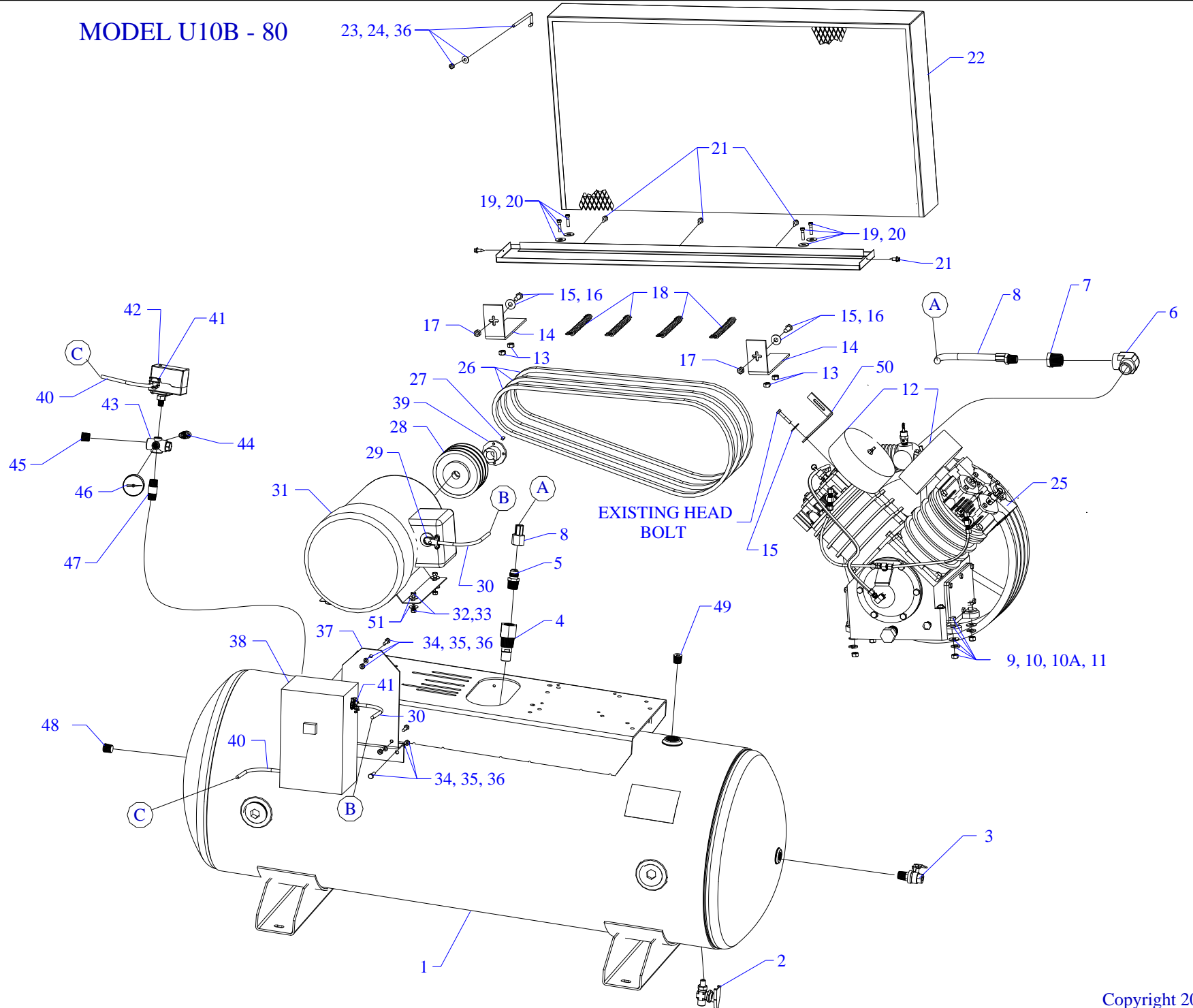
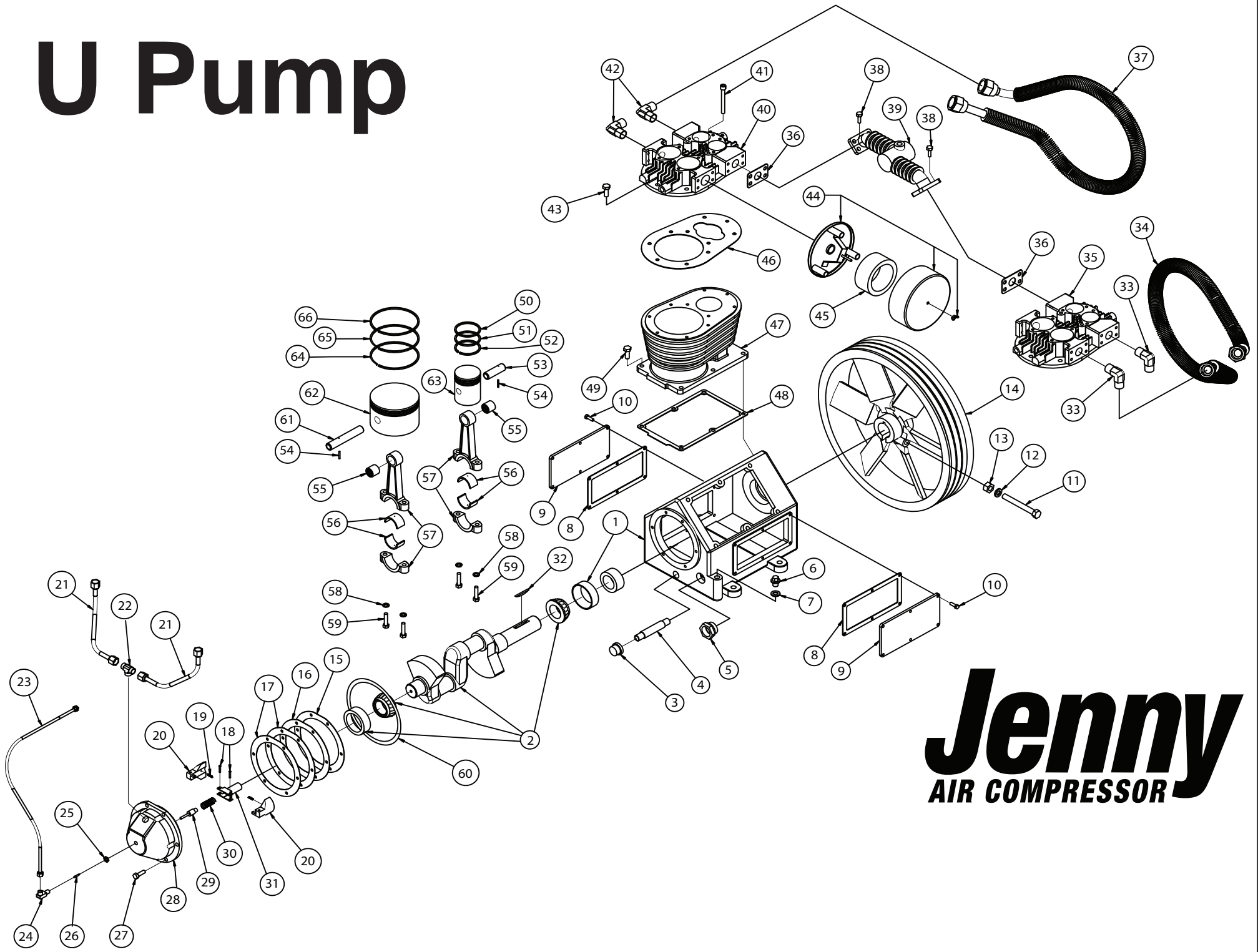


MODEL U10B - 80

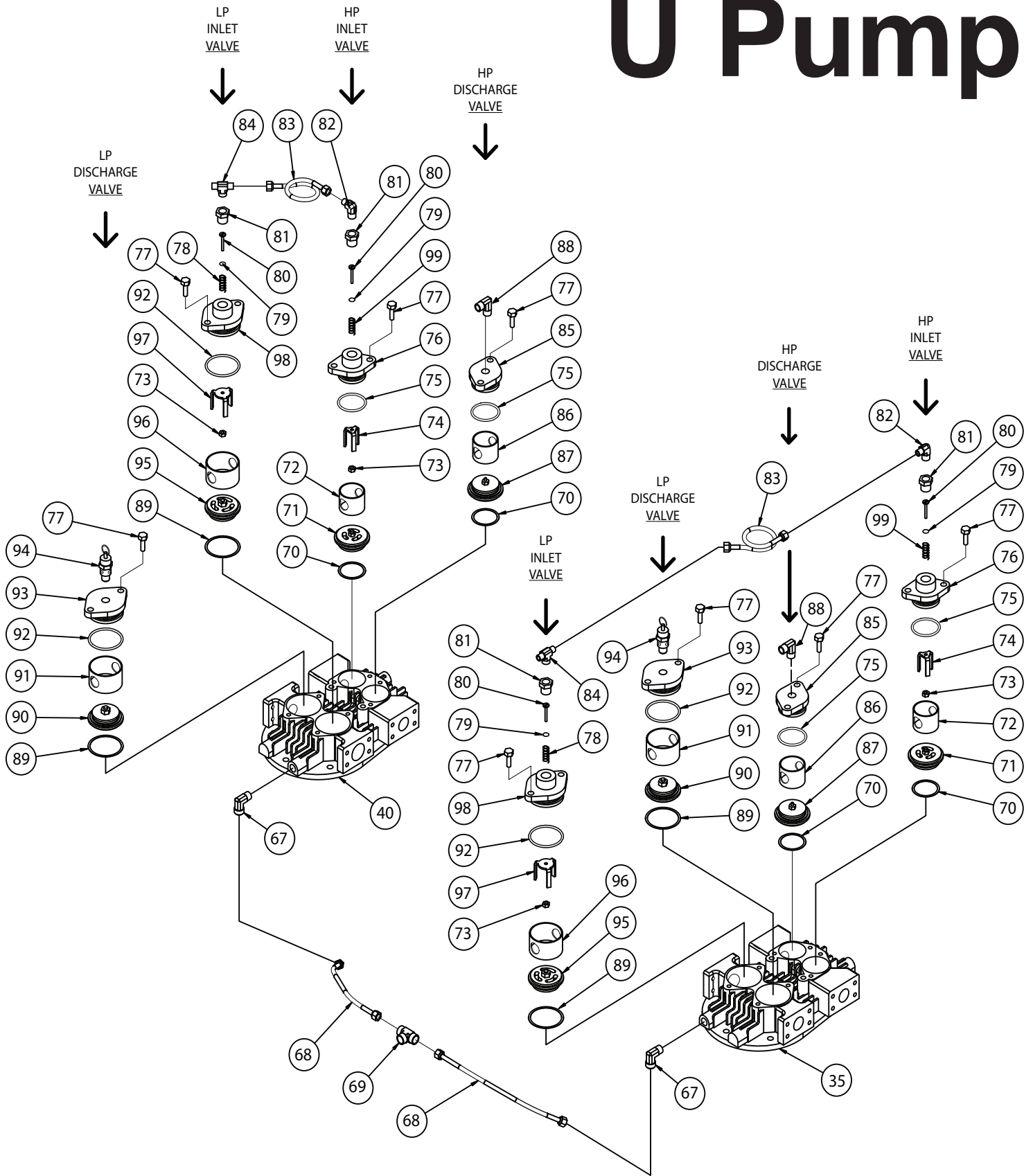


U Pump



Jenny
AIR COMPRESSOR

U Pump



Jenny
AIR COMPRESSOR

Parts List for Model U

NOTE: The quantity number indicates the total number of pieces required for a complete pump repair.
When ordering parts give compressor model, serial number and part number. Order assemblies when possible.

<u>REF. NO.</u>	<u>PART NO.</u>	<u>DESCRIPTION</u>	<u>QTY.</u>
1	631-48289	CRANKCASE,PUMP,U	1
2	631-48285	CRANKSHAFT & CONE ASSY REF: U	1
2A	631-98846	BEARING CUP REF: QMRU, 98846	2
2B	631-13414	CONE,BEARING,R-U PUMP	2
3	122-1085	CAP,HEX,STEEL,PLATED,1/2"NPT	1
4	122-1089	NIPPLE,STEEL,SCH 40,1/2" X 2-1/2" L	1
5	160-1053	GAUGE,SIGHT,LEVEL,OIL,1"NPT	1
6	631-76071	OIL FILLER PLUG REF: U, 76071	1
7	631-76072	OIL FILLER PLUG GSKT REF: U, 76072	1
8	631-48332	SIDE PLATE GSKT REF: U, 48332	2
9	631-48331	PLATE,SIDE,CRANKCASE,PUMP,U	2
10	120-1002	SCREW,CAP,HEXHD,GR5,ST,BLK,1/4-20X5/8	12
11	111300	SCREW,CAP,HEX HD,GR5,ST,PL,1/2-13X4-1/2"	1
12	120-1082	WASHER,LOCK,SPLIT,STEEL,PLATED,1/2"	1
13	120-1124	NUT,HEX,STEEL,PLATED,1/2-13	1
14	631-31010	ASSY,FLYWHEEL,3,GROVE,18" OD,R-U PUMP	1
15	631-38013	GASKET,COVER,END,U-PUMP	1
16	631-17279	GASKET,COVER,END, .006,THK,Q-U PUMP	1
17	631-17278	GASKET,COVER,END, .005,THK,Q-U PUMP	2
18	631-47957	RIVET,UNLOADER,Q-M-R-U-PUMP	2
19	631-38195	SPRING,BUMPER,WEIGHT,Q-M-R-U-T-PUMP	2
20	631-47952	WEIGHT,COUNTER,UNLOADER,Q-M-R-U-PUMP	2
21	631-48350	BREATHER TUBE REF: U,48350	2

Parts List for Model U

NOTE: The quantity number indicates the total number of pieces required for a complete pump repair.
When ordering parts give compressor model, serial number and part number. Order assemblies when possible.

<u>REF. NO.</u>	<u>PART NO.</u>	<u>DESCRIPTION</u>	<u>QTY.</u>
22	631-38074	CONNECTOR,TEE,BREATHER,U-PUMP	1
23	631-38923	TUBE,UNLOADING,U-PUMP	1
24	631-76281	CU VLV ASSY REF: QMRU, 76281	1
25	631-48070	LOCKNUT REF QMRU, 48070	1
26	631-48069	AIR VALVE REF:QMR, 48069	1
27	120-1022	SCREW,CAP,HEXHD,GR5,ST,PLTD,5/16-18X1	6
28	631-48290	CAP,BEARING,W/CUP,ASSY,PUMP,U	1
29	631-47958	PLUNGER,UNLOADER,Q-M-R-U-PUMP	1
30	631-47956	SPRING,UNLOADER,Q-M-R-U-PUMP	1
31	631-49913	WGT RTNR & SHAFT ASSYREF:QMRU, 49913	1
32	631-9396	FLYWHEEL KEY REF: RU, 9396	1
33	631-13620	CONNECTOR,ELBOW,INTERCOOL,90 DEG,M-R-U	3
34	631-48707	INTERCOOLER R H REF: U, 48707	1
35	631-77687	CYLINDER HEAD RH	1
36	631-48337	GSKT DIS MANIFOLD REF: U, 48337	2
37	631-48706	INTERCOOLER L H REF: U, 48706	1
38	631-992	SCREW,CAP,SOC HD,GR5,ST,PL,5/16-18X7/8	8
39	631-48310	MANIFOLD DISCHARGE REF: U, 48310	1
40	631-77688	CYLINDER HEAD LH	1
41	9421632	SCREW,CAP,SOC HD,GR5,ST,PL,5/16-18X3	4
42	631-48349	ELBOW45DG INTRCLR CONTRREF:U, 48349	1
43	120-1002	SCREW,CAP,HEXHD,GR5,ST,BLK,1/4-20X5/8	16
44	160-1057	FILTER,INTAKE,AIR,1"NPTM,FA1	2

Parts List for Model U

NOTE: The quantity number indicates the total number of pieces required for a complete pump repair.
When ordering parts give compressor model, serial number and part number. Order assemblies when possible.

<u>REF. NO.</u>	<u>PART NO.</u>	<u>DESCRIPTION</u>	<u>QTY.</u>
45	160-1060	ELEMENT,FILTER,INTAKE,AIR,U14,FE1	2
46	631-47939	GASKET,HEAD,CYLINDER,M-U-PUMP	2
47	631-47925	CYLINDER,M-U-PUMP	2
48	631-47923	GASKET,BASE,M-U-PUMP	2
49	120-1032	SCREW,CAP,HEXHD,GR5,ST,PLTD,3/8-16X1	12
50	631-47946	RING,COMPRESSION,TOP,HP,M-U-PUMP	2
51	631-47968	RING,COMPRESSION,BOTTOM,HP,M-U-PUMP	2
52	631-47947	RING,OIL,PISTON,HP,3 PIECE,PUMP,U	2
53	631-47949	PIN,WRIST,HP,M-U-PUMP	2
54	631-37007	PIN,ROLL,Q-M-R-U PUMP	4
55	631-14319	BEARING,PISTON,WRIST PIN,LP,Q-M-U PUMP	4
56	631-38275	INSERT,BEARING,R-U-PUMP	8
57	631-48284	CONNECTING ROD ASSY REF: U, 48284	4
58	120-1077	WASHER,LOCK,SPLIT,STEEL,PLATED,3/8"	8
59	631-14792	BOLT,ROD,CONNECTING,PUMP,U	8
60	631-48675	OIL FEEDER RING REF: U, 48675	1
61	631-47945	PIN,WRIST,LP,M-U-PUMP	2
62	631-47944	PISTON,LP,M-U-PUMP	2
63	631-47948	PISTON,HP,M-U-PUMP	2
64	631-47943	RING,OIL,PISTON,3 PIECE,PUMP,U	2
65	631-47942	RING,COMPRESSION,PISTON,W/SCRAPER,PUMP,U	2
66	631-47941	RING,COMPRESSION,PISTON,PUMP,U	2
67	631-690	ELBOW,BREATHER CONNCTR,REF: U, 690	2

Parts List for Model U

NOTE: The quantity number indicates the total number of pieces required for a complete pump repair.
When ordering parts give compressor model, serial number and part number. Order assemblies when possible.

<u>REF. NO.</u>	<u>PART NO.</u>	<u>DESCRIPTION</u>	<u>QTY.</u>
68	631-48350	BREATHER TUBE REF: U,48350	2
69	631-38074	CONNECTOR,TEE,BREATHER,U-PUMP	1
70	631-47938	GASKET,VALVE,HP,M-R-U-PUMP	4
71	631-50681	VALVE ASSYH P INLET REF: MRU, 50681	2
72	631-47930	CAGE,INLET,HP,M-R-U-PUMP	2
73	631-48144	VALVE LOCKNUT REF: MRU, 48144	4
74	631-47965	FINGERS,HP,INLET,UNLADDER,M-R-U-PUMP	2
75	631-47931	RING,O,HP,M-R-U-PUMP	4
76	631-48139	HLD DWN CVRHP(1/4)REF:MRU, 48139	2
77	631-47934	SCREW,CAP,COVER,5/16"-18 X 3/4",MRU-PUMP	16
78	631-47992	VALVE SPRING LP REF: MRU, 47992	4
79	631-47962	RING,O,PLUNGER,PUMP,U	4
80	631-47961	PLUNGER,VALVE,INLET,HP,PUMP,U	4
81	631-47933	RING,O,LP,M-R-U-PUMP	4
82	631-15362	ELBOW,MALE,BRASS,VALVE,INLET,PUMP,U	2
83	631-47966	TUBE,UNLOADER,VALVE,HEAD-HEAD,PUMP,U	2
84	631-42384	TEE,MALE,BRASS,VALVE,INLET,PUMP,U	2
85	631-48139	HLD DWN CVRHP(1/4)REF:MRU, 48139	1
86	631-47971	CAGE,DISCHARGE,HP,M-R-U-PUMP	2
87	631-47936	ASSY,VALVE,H P,DISCHARGE,M-R-U-PUMP	2
88	631-12949	CONNECTOR,BREATHER,ELBOW,BR,Q-M-R PUMP	1
89	631-47937	GASKET,VALVE,LP,M-R-U-PUMP	4
90	631-48141	VALVE ASSY LP DISCHGREF:MRU, 48141	2

Parts List for Model U

NOTE: The quantity number indicates the total number of pieces required for a complete pump repair.
When ordering parts give compressor model, serial number and part number. Order assemblies when possible.

<u>REF. NO.</u>	<u>PART NO.</u>	<u>DESCRIPTION</u>	<u>QTY.</u>
91	631-47928	CAGE,DISCHARGE,LP,M-R-U-PUMP	2
92	631-47933	RING,O,LP,M-R-U-PUMP	4
93	631-48081	HOLD DWN CVR LP DIS REF: U, 48081	2
94	631-8603	INTERCOOLER SAFETY VALVE R:UT	2
95	631-47935	ASSY,VALVE,L P,INLET,M-R-U-PUMP	2
96	631-47922	CAGE,INLET,LP,M-R-U-PUMP	2
97	631-47963	FINGERS,LP,INLET,UNLOADER,M-R-W-PUMP	2
98	631-47960	HOLD DOWN COVER LIP, INLET	2
99	631-47993	VLV SPRING HP REF: MRU, 47993	4
100	361-48307	INTAKE GASKET OLD STYLE NOT SHOWN	2
101	160-1062	ELEMENT,FILTER,INTAKE,AIR,U18,FE15 NOT SHOWN	1
102	160-1058	FILTER,INTAKE,AIR,1-1/2"NPTM,FA15 NOT SHOWN	1
103	631-79565	LWR END OVERHAUL KIT MODEL U, 79565	1
104	631-79452	SET GSKT REF: U, 79452	1
105	631-79566	VALVE OVERHAUL KIT MODEL U	1
106	631-48177	SET PISTON,RINGS REF: M U, 48177	2

Parts List for Model U10B-80 Three Phase

NOTE: The quantity number indicates the total number of pieces required for a complete unit repair.
When ordering parts give compressor model, serial number and part number. Order assemblies when possible.

<u>REF. NO.</u>	<u>PART NO.</u>	<u>DESCRIPTION</u>	<u>QTY.</u>
1	411-1079	TANK,HRZNTL,80G,UNB,G&GC>&W&J&U,H80U-6	1
2	141-1077	VALVE,BALL,LEVER,1/4 TURN,1/4" M X 1/4" F	1
3	141-1056	VALVE,BALL,LEVER,1/4 TURN,3/4" NPT,GV34	1
4	141-1037	VALVE,CHECK,INSERT,1" M X 3/4", 134	1
5	121-1011	CONNECTOR,MALE,BRASS,3/4-45SAEX3/4" NPTM	1
6	127792	ELBOW,STREET,STEEL,PLATED,1" NPT	1
7	122-1073	BUSHING,REDUCER,HEX,ST,PLTD,1" X 3/4" NPT	1
8	360-1403	AFTERCOOLER,HOSE,SS,TEFLON,3/4" ODX30"L	1
9	120-1052	SCREW,CAP,HEXHD,GR5,ST,PLTD,1/2-13X2-1/2	4
10	120-1080	WASHER,FLAT,STEEL,PLATED,1/2"	8
10A	120-1082	WASHER,LOCK,SPLIT,STEEL,PLATED,1/2"	4
11	120-1124	NUT,HEX,STEEL,PLATED,1/2-13	4
12	160-1057	FILTER,INTAKE,AIR,1" NPTM,FA1	2
13	120-1113	NUT,HEX,STEEL,PLATED,1/4-20	4
14	230-1133	BRKT BELTGUARD U ELEC (WS/SM)	2
15	120-1267	SCREW,PAN HD,PHIL,STEEL,PLTD,1/4-20 X 1"	2
16	120-1075	WASHER,FLAT,STEEL,PLATED,5/16"	2
17	120-1113	NUT,HEX,STEEL,PLATED,1/4-20	2
18	120-1158	SPRING,ST,PL,#3 X 16" L (BELT GUARD)	4
19	120-1071	WASHER,FLAT,STEEL,PLATED,USS,1/4"	4
20	120-1005	SCREW,FLANGE,HEX,SERR,ST,PLTD,1/4-20X3/4	4
21	120-1177	SCREW,SELF DRILL,HEX,ST,PL,12 X 3/4	5
22	320-1027-01	BELTGUARD,GAS,U,HONDA,SM&PT,ASSY,BLUE	1
23	120-1219	BOLT,"J",ST,PL,1/4-20 X 5-9/16 LENGTH	1

Parts List for Model U10B-80 Three Phase

NOTE: The quantity number indicates the total number of pieces required for a complete unit repair.
When ordering parts give compressor model, serial number and part number. Order assemblies when possible.

<u>REF. NO.</u>	<u>PART NO.</u>	<u>DESCRIPTION</u>	<u>QTY.</u>
24	120-1071	WASHER,FLAT,STEEL,PLATED,USS,1/4"	1
25	421-1604	PUMP,CMPRSR,PISTON,REPLCMT,BLUE,U	1
26	154-5L800	BELT,VEE,B75.3,5L-800	3
27	120-1109	KEY,STEEL,BLACK,5/16X5/16X 1-1/2" LENGTH	1
28	154-1080	PULLEY,CI,TG,SK,7.0PDB,3B70SK	1
29	123-1032	CONNECTOR,CABLE,BX,90 DEG,3/8"	1
30	123-1003	WIRE,ASSY,BX,14/2,WITH GROUND	2FT
31	130-1034	MOTOR,10HP,208-230-46060/3,1725RPM,ODP	1
	140-1028-E72	OVERLOAD,HEATER,STARTER,MAGNETIC,E72	3
	140-1028-E69	OVERLOAD,HEATER,STARTER,MAGNETIC,E69	3
	140-1028-E57	OVERLOAD,HEATER,STARTER,MAGNETIC,E57	3
32	120-1290	SCREW,MACH,HEXHD,GR5,ST,PL,3/8-16X1-1/4"	4
33	120-1120	NUT,HEX,STEEL,PLATED,3/8 16 PL	4
34	120-1008	SCREW,CAP,HEXHD,GR5,ST,PLTD,1/4-20X1	3
35	120-1070	WASHER,FLAT,STEEL,PLATED,SAE,1/4"	3
36	120-1113	NUT,HEX,STEEL,PLATED,1/4-20	4
37	320-1080	BRACKET MAG STARTER 6X12	1
38	330-1029	MAG STR 40A 3P 200/208/230V,MGSD-3-230	1
38*	330-1030	MAG STR,40A 3P 460V,SVC RPLMT,MGSD-3-460	1
39	154-1110	BUSHING,PULLEY,TAPERED,SK,1-3/8	1
40	123-1003	WIRE,ASSY,BX,14/2,WITH GROUND	2FT
41	123-1032	CONNECTOR,CABLE,BX,90 DEG,3/8"	3
42	140-1072	SWITCH,PSI,2HP,115-175#,PB	1
43	220-1122	BLOCK,MANIFOLD,AL,5 PORT,MC-5S	1
44	141-1011	VALVE,SAFETY,ASME,1/4",200 PSI,SVU200	1

Parts List for Model U10B-80 Three Phase

NOTE: The quantity number indicates the total number of pieces required for a complete unit repair.
When ordering parts give compressor model, serial number and part number. Order assemblies when possible.

<u>REF. NO.</u>	<u>PART NO.</u>	<u>DESCRIPTION</u>	<u>QTY.</u>
45	122-1047	PLUG, SOCKET, HEX, ST, PLTD, 1/2" NPT	1
46	142-1001	GAUGE, PSI, 300#, BK MT, JENNY, 2", 1/4NPT, PG3	1
47	122-1088	NIPPLE, STEEL, SCH 80, PLATED, 1/2" X 2"	1
48	122-1048	PLUG, HEX HEAD, STEEL, PLATED, 3/4"NPT	1
49	122-1049	PLUG, HEX HEAD, STEEL, BLK, 1" NPT	1
50	230-1132	BRACKET BELTGUARD U GAS	1
NOT SHOWN	160-1060	ELEMENT, FILTER, INTAKE, AIR, U14, FE1	2
NOT SHOWN	105-1210	OIL, PUMP, SYNTHETIC, BLUE, 1 GALLON, ESG	1