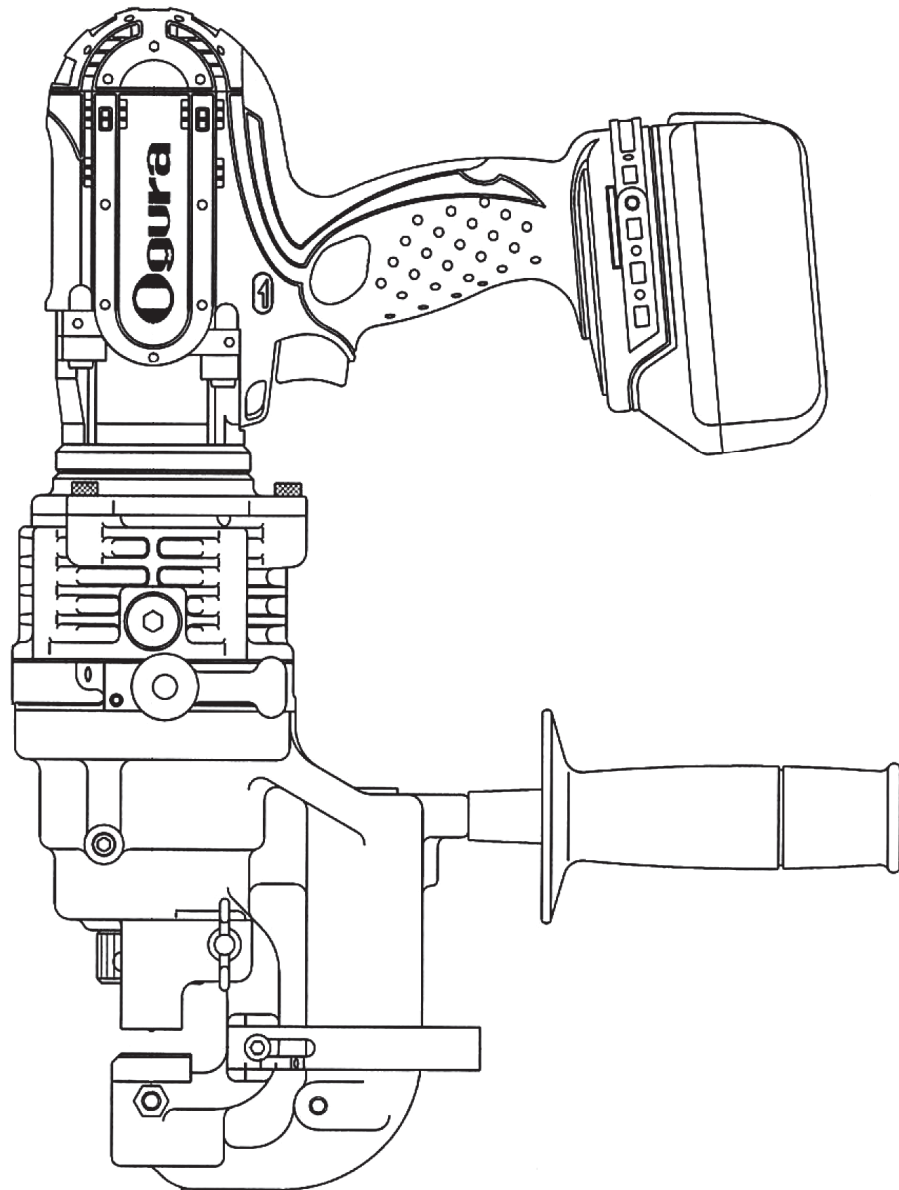


Hougen[®]-Ogura[™]

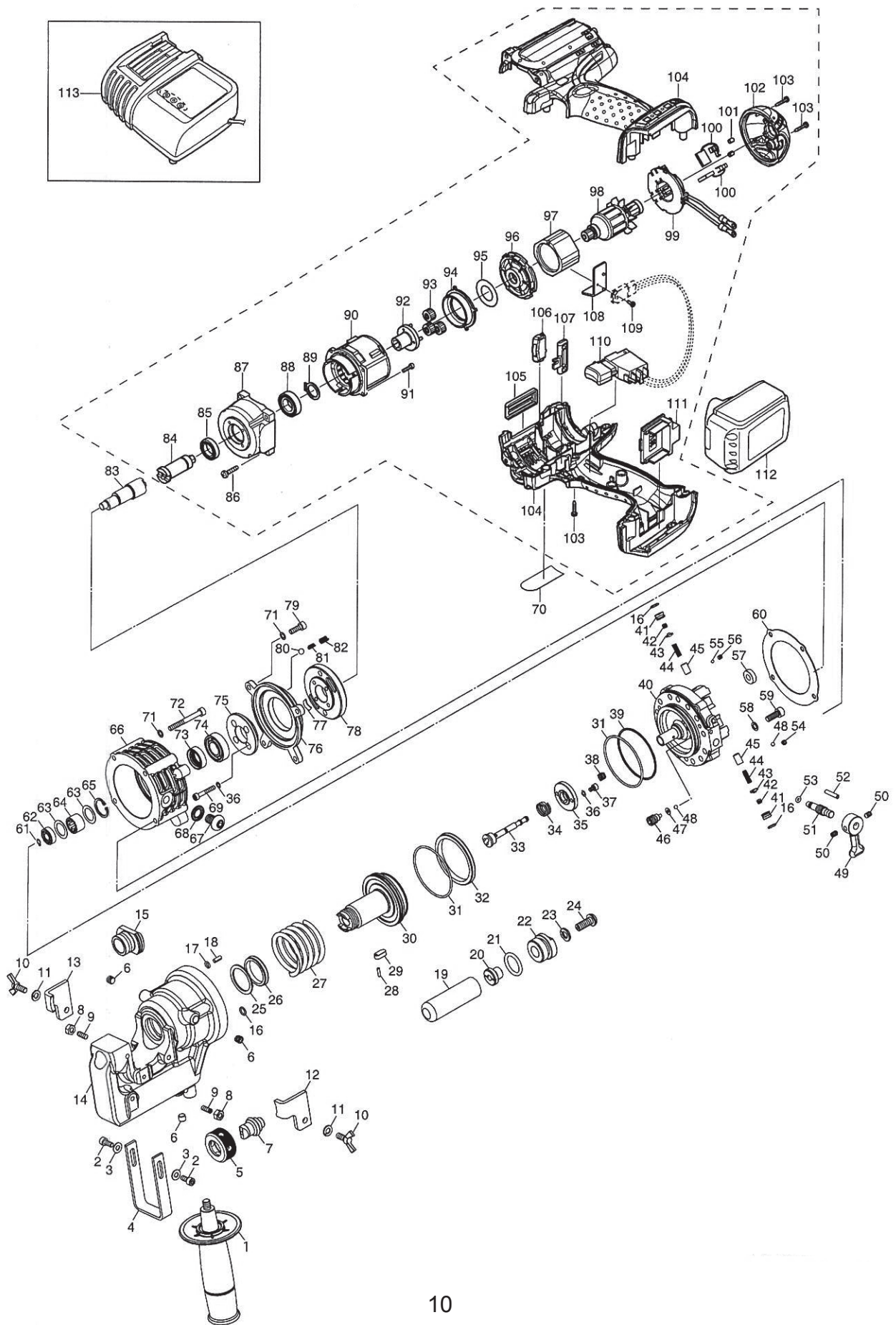
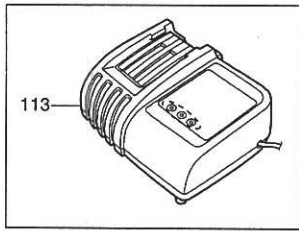
MODEL 76000PR PUNCH PRO[™] 18V CORDLESS ELECTRO-HYDRAULIC HOLE PUNCHER

OPERATOR'S MANUAL

COVERS HOLE PUNCHER PART NUMBERS 0760102 & 0760202



76000PR PARTS BREAKDOWN



76000PR PARTS LIST

Item	Part #	Description	Qty	Item	Part #	Description	Qty
1	76600	Handle	1	41	75325	Packing	2
2	75361	Bolt HB5 x 12	2	42	75052	Spring - Check Valve	2
3	75835	Washer WM 5	2	43	76066	Check Valve	2
4	76601	Slide Stopper	1	44	76067	Piston Return Spring	2
5	76602	Punch Retaining Nut	1	45	76622	Piston	1
6	76405	Bolt GDL 1/16	3	46	76623	Seat Bolt	1
7		Punch		47	76624	Washer WM3	1
8	75091	Nut - Hex M6	2	48	75208	Steel Ball D4	6
9	75189	Bolt HS6 x 15	2	49	75047	Return Lever	1
10	75156	Bolt 6 x 15	2	50	75160	SCR-SOC Set M6 x 8	2
11	76078	Washer SW6	2	51	75046	Return Valve	1
12	76603	Stripper R	1	52	75209	Spring Pin	1
13	76604	Stripper L	1	53	75805	O-Ring	1
14	76605	C-Frame	1	54	75207	Bolt 5 x 5	5
15		Die		55	76423	Steel Ball D3	2
16	76606	O-Ring	3	56	76424	Bolt 4 x 4	2
17	76607	O-Ring	2	57	76625	Magnet	2
18	76608	Spacer 3 x 10	2	58	75872	Washer HW6	14
19	76609	Oil Leveler Sack	1	59	76626	Bolt 6 x 16	14
20	76090	Bushing	1	60	76627	Liner	1
21	76610	O-Ring	1	61	75256	Stop Ring	1
22	76611	Bushing Screw	1	62	76467	Bearing - Ball	1
23	75155	Washer SW8	1	63	76107	Needle Holder	2
24	76472	Retaining Screw	1	64	76106	Bearing - Needle	1
25	76612	Back Up Ring	1	65	76108	Stop Ring	1
26	75153	Packing - Rod Seal	1	66	76628	Pump Case	1
27	76613	Punch Return Spring	1	67	76629	Bolt HB10 x 15	1
28	75099	Pin - Roll	1	68	75090	Seal Washer	1
29	76614	Punch Rod Key	1	69	76630	Bolt HB4 x 25	4
30	76615	Punch Rod	1	70	76631	Name Label (120V)	1
31	76616	O-Ring	2		76632	Name Label (230V)	
32	76617	Rod Packing	1	71	75835	Washer Flat 5mm	8
33	76416	Spool Release Valve	1	72	76633	Bolt HB5 x 45	4
34	76618	Valve Return Spring	1	73	75259	Oil Seal	1
35	76619	Stopper Plate	1	74	75327	Bearing	1
36	76070	Washer HW4	6	75	76634	Thrust Fixing Flange	1
37	75205	Bolt HB 4 x 6	2	76	76635	Motor Flange	1
38	76417	Release Valve Spring	1	77	75117	Leaf Spring	2
39	76620	Back Up Ring	1	78	76636	Motor Mounting Flange	1
40	76621	Cylinder with Piston & Spool Release Valve	1 Set	79	75361	SCR-SHC M5 x 15	4
				80	76637	Steel Ball D6	2

76000PR PARTS LIST

Item	Part #	Description	Qty	Item	Part #	Description	Qty
81	76638	Position Spring B	2	98	76033	Armature with Bearing	1
82	76639	Position Spring A	2	99	76205	Brush Holder Assembly	1
83	76409	Eccentric Shaft	1	100	76024	Carbon Brush (Pair)	1
84	76407	Spindle	1	101	76023	Pin 4	2
85	76046	Bearing	1	102	76022	Rear Cover	1
86	76045	Tapping Screw	4	103	76021	Tapping Screw	10
87	76044	Gear Case	1	104	76020	Motor Case Set	1
88	76043	Bearing	1	105	76110	Cover	1
89	76042	Stop Ring	1	106	76207	Lens Case	1
90	76040	Gear Case	1	107	76109	Lock Lever	1
91	76401	Pan Head Scew 3 x 12	4	108	76209	Unit Plate	1
92	75039	Carrier	1	109	76030	Pan Head Screw 3 x 8	1
93	76038	Supper Gear	3	110	76301	Trigger Switch Assembly	1
94	76036	Inter Gear 46	1	111	76032	Terminal	1
95	76037	Flat Washer 18	1	112	76094	Battery BL1830	1
96	76035	Motor Bracket	1	113	76093	Charger DC18RC (110-120V)	1
97	76034	York Unit	1		76473	Charger DC18RC (220-240V)	

Standard Accessories with the 76000PR Cordless Hole Punch

Part #	Description	Qty	Part #	Description	Qty
76640	Tommy Bar	1	75376	Hydraulic Oil #46	1
75742	Hex Wrench M3	1	76098	Battery Cover	1
75743	Hex Wrench M5	1	76566	7/16" Punch	1
76556	Hex Wrench M6	1	76585	7/16" SB Die	1
75771	Spanner	1			

The 76000PR comes with 35cc of #46 oil in a small bottle

Optional Accessories for the 76000PR Cordless Hole Punch

76641	Work Stand	1	75156	Bolt HB6 x 15	2
--------------	------------	---	--------------	---------------	---

76000PR ROUND PUNCHES & DIES

ROUND PUNCH			Part No.	MATERIAL	DIE	
Nominal	Actual	Metric		Thickness	Size	Part No.
5/32"	.157	4mm	76558	5/16 (.078) 14 GA.	Die 5/32 SA	76571
3/16"	.197	5mm	76559	5/64 (.078) to .118 14 to 12 GA.	Die 3/16 SA	76572
7/32"	.217	5.5mm	76560	5/64 (.078) to .118 14 to 12 GA.	Die 7/32 SA	76573
15/64"	.236	6mm	76561	5/64 (.078) to 1/8 (.125) 14 to 11 GA.	Die 15/64 SA	76574
				>5/64 (.125) to 5/32 (.157) 10 to 9 GA.	Die 15/64 SB	76575
1/4"	.256	6.5mm	76562	5/64 (.078) to 1/8 (.125) 14 to 11 GA.	Die 1/4 SA	76576
				>5/64 (.125) to 1/4 (.250) 10 to 3 GA.	Die 1/4 SB	76577
5/16"	.315	8mm	76563	5/64 (.078) to 1/8 (.125) 14 to 11 GA.	Die 5/16 SA	76578
				>5/64 (.125) to 1/4 (.250) 10 to 3 GA.	Die 5/16 SB	76579
11/32"	.335	8.5mm	76564	5/64 (.078) to 1/8 (.125) 14 to 11 GA.	Die 11/32 SA	76580
				>5/64 (.125) to 1/4 (.250) 10 to 3 GA.	Die 11/32 SB	76581
3/8"	.394	10mm	76565	5/64 (.078) to 1/8 (.125) 14 to 11 GA.	Die 3/8 SA	76582
				>5/64 (.125) to 1/4 (.250) 10 to 3 GA.	Die 3/8 SB	76583
7/16"	.433	11mm	76566	5/64 (.078) to 1/8 (.125) 14 to 11 GA.	Die 7/16 SA	76584
				>5/64 (.125) to 1/4 (.250) 10 to 3 GA.	Die 7/16 SB	76585
15/32"	.472	12mm	76567	5/64 (.078) to 1/8 (.125) 14 to 11 GA.	Die 15/32 SA	76586
				>5/64 (.125) to 1/4 (.250) 10 to 3 GA.	Die 15/32 SB	76587
1/2"	.512	13mm	76568	5/64 (.078) to 1/8 (.125) 14 to 11 GA.	Die 1/2 SA	76588
				>5/64 (.125) to 1/4 (.250) 10 to 3 GA.	Die 1/2 SB	76589
9/16"	.551	14mm	76569	5/64 (.078) to 1/8 (.125) 14 to 11 GA.	Die 9/16 SA	76590
				>5/64 (.125) to 1/4 (.250) 10 to 3 GA.	Die 9/16 SB	76591
19/32"	.591	15mm	76570	5/64 (.078) to 1/8 (.125) 14 to 11 GA.	Die 19/32 SA	76592
				>5/64 (.125) to 1/4 (.250) 10 to 3 GA.	Die 19/32 SB	76593

76000PR OBLONG PUNCHES & DIES

OBLONG PUNCH			Part No.	MATERIAL	DIE	
Nominal	Size			Thickness	Size	Part No.
	Actual	Metric				
1/4" x 3/8"	.256 x .394	6.5mm x 10mm	76594	>1/8 (.125) to 1/4 (.250) 10 to 3 GA.	Die 1/4 x 3/8	76236
1/4" x 1/2"	.256 x .512	6.5mm x 13mm	76595	>1/8 (.125) to 1/4 (.250) 10 to 3 GA.	Die 1/4 x 1/2	76237
11/32" x 1/2"	.335 x .512	8.5mm x 13mm	76596	>1/8 (.125) to 1/4 (.250) 10 to 3 GA.	Die 11/32 x 1/2	76238
23/64" x 17/32"	.354 x .531	9mm x 13.5mm	76597	>1/8 (.125) to 1/4 (.250) 10 to 3 GA.	Die 23/64 x 17/32	76240
3/8" x 19/32"	.394 x .591	10mm x 15mm	76598	>1/8 (.125) to 1/4 (.250) 10 to 3 GA.	Die 3/8 x 19/32	76241
7/16" x 5/8"	.433 x .625	11mm x 15.9mm	76599	>1/8 (.125) to 1/4 (.250) 10 to 3 GA.	Die 7/16 x 5/8	76242