



HEARTH PRODUCTS



Intertek

Report No. 100353019PRT-002

P/N 506017-08 Rev. A 04/2013

This manual is part of a set of two supporting this product. Refer to P/N 506015-09 for Installation Instructions.

Ce manuel est disponible en français, simplement en faire la demande. Numéro de la pièce 506223-61.

WHAT'S INSIDE

Table of Contents	2
Safety and Your Fireplace	2
FREE Safety Guard Offer (Protects Against Burns)	2
Important Safety Information	4
Attaching the Safety-in-Operation Warnings	5
[EN FRANÇAIS] L'information de sûreté importante	3 - 4
Apposition des mises en garde relatives à la sécurité d'utilisation	5
[EN ESPAÑOL] Información importante de seguridad	3 - 4
Colocación de advertencias de seguridad en operación	5

CARE AND OPERATION INSTRUCTIONS

MLDVTCD Direct-Vent Contemporary Design Gas **MERIT** SERIES Fireplaces

MODELS

MILLIVOLT:
MLDVTCD-35NM
MLDVTCD-35NM-FB

ELECTRONIC:
MLDVTCD-35NE-2

Decorative Product: Not for use as a heating appliance.

NOTICE: Fireplace is not to be operated by a thermostat.



INSTALLER: Leave this manual with the appliance.
CONSUMER: Retain this manual for future reference.
INSTALLATEUR : Laissez cette notice avec l'appareil.
CONSOMMATEUR : Conservez cette notice pour consultation ultérieure.



! WARNING / AVERTISSEMENT / AVISO

**HOT GLASS WILL CAUSE BURNS.
DO NOT TOUCH GLASS UNTIL COOLED
NEVER ALLOW CHILDREN TO TOUCH GLASS.**



**UNE SURFACE VITRÉE CHAUDE PEUT CAUSER DES BRÛLURES.
LAISSER REFROIDIR LA SURFACE VITRÉE AVANT D'Y TOUCHER.
NE PERMETTEZ JAMAIS À UN ENFANT DE TOUCHER LA SURFACE VITRÉE.**

**EL VIDRIO CALIENTE CAUSARÁ QUEMADURAS.
USTED DEBE NUNCA TOCAR EL VIDRIO CALIENTE.
LOS NIÑOS DEBEN NUNCA TOCAR EL VIDRIO.**

WARNING: If the information in these instructions is not followed exactly, a fire or explosion may result, causing property damage, personal injury, or death.

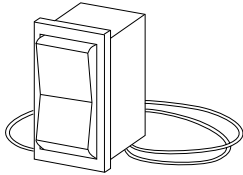
- Do not store or use gasoline or other flammable vapors and liquids in the vicinity of this or any other appliance.
- **WHAT TO DO IF YOU SMELL GAS:**
 - Do not try to light any appliance.
 - Do not touch any electrical switch; do not use any phone in your building.
 - Immediately call your gas supplier from a neighbor's phone. Follow the gas supplier's instructions.
 - If you cannot reach your gas supplier, call the fire department.
- Installation and service must be performed by a qualified installer, service agency or the gas supplier.

AVERTISSEMENT : Assurez-vous de bien suivre les instructions données dans cette notice pour réduire au minimum le risque d'incendie ou d'explosion ou pour éviter tout dommage matériel, toute blessure ou la mort.

- Ne pas entreposer ni utiliser d'essence ni d'autres vapeurs ou liquides inflammables dans le voisinage de cet appareil ou de tout autre appareil.
- **QUE FAIRE SI VOUS SENTEZ UNE ODEUR DE GAZ :**
 - Ne pas tenter d'allumer d'appareil.
 - Ne touchez à aucun interrupteur. Ne pas vous servir des téléphones se trouvant dans le bâtiment où vous trouvez.
 - Appelez immédiatement votre fournisseur de gaz depuis un voisin. Suivez les instructions du fournisseur.
 - Si vous ne pouvez rejoindre le fournisseur de gaz, appelez le service des incendies.
- L'installation et l'entretien doivent être assurés par un installateur ou un service d'entretien qualifié ou par le fournisseur de gaz.

ACCESSORY COMPONENTS

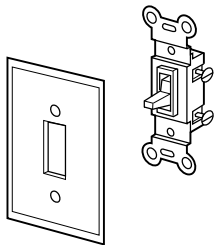
Product Reference Information			
Cat. No.	Model	Ship. Wt.	Ship. Volume
H7514	MLDVTCD35NM	100 lb.	11.35 cu. ft.
H8884	MLDVTCD35NE-2	100 lb.	11.35 cu. ft.
H8600	MLDVTCD35NM-FB	100 lb.	11.35 cu. ft.
H8963	MLDVTCD35NE-2 FB	100 lb.	11.35 cu. ft.



Unit-Mountable ON/OFF Rocker Switch Kit

This rocker switch kit can be installed directly in the gas valve mounting bracket (millivolt gas valve equipped ~~replaces~~) to provide On/Off operation in lieu of a wall switch.

Rocker Switch Kit		
Cat. No.	Model No.	Description
80L41	FRS	Rocker Switch Kit



OFF/ON Wall Switch Kit

The OFF/ON wall switch kit may be used to control the operation of the fireplace burner. Install the OFF/ON wall switch in a convenient location near the fireplace.

White Wall Switch Kit		
Cat. No.	Model No.	Description
85L87	FWSK	OFF/ON Wall Switch Kit



Wall Control

- 4-button timer with 30/60/120/OFF minutes
- Wall surface mounted
- Connects to wall switch wire
- Perfect for rental and resort applications

Wall Switch, Countdown Timer		
Cat. No.	Model No.	Description
H8863	WS-S-TMR	Wall Switch

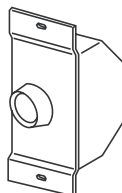


Cost Effective Solution

- Simple On/Off operation
- Works with millivolt and low voltage electronic ignition controls

Kit includes:
Remote and Receiver

G-Fire Remote, Simple On/Off		
Cat. No.	Model No.	Description
H8840	KIT-RC-G-FIRE	Remote Control



Variable Speed Wall Switch

Provides variable speed control if optional blower kit is purchased.

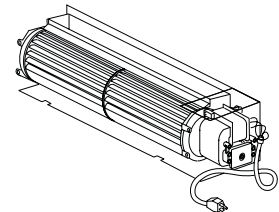
Variable Speed Wall Switch		
Cat. No.	Model No.	Description
045571H	VSWS	Variable Speed Switch



Manual or up to 3 hr Countdown Timer modes

- LCD display
- Displays room temp. in °F or °C
- Flame icon and low battery indicator
- Includes batteries
- Wall clip included
- Receiver may be wall mounted or placed in the control compartment
- Includes white face plate
- Flame icon
- Low battery indicator
- Batteries included

Remote, Two Button, Timer, On/Off Or Timer Mode		
Cat. No.	Model No.	Description
H8860	RC-S-1	Remote Control



Forced Air Kit

The FBK-100 blower provides constant velocity forced air circulation. The FBK-200 assembly with variable speed, wall-mountable switch provides variable speed forced air circulation. The FBK-300 assembly with variable speed, control compartment-mountable control module that provides variable speed forced air circulation and thermal activation.

Forced Air Blower Kits		
Cat. No.	Model No.	Description
80L84	FBK-100	Blower, Standard (single speed)
80L85	FBK-200	Blower, Variable Speed (w/wall-mounted switch)
H7841	FBK-300	Blower, Variable Speed (w/thermo snap switch)

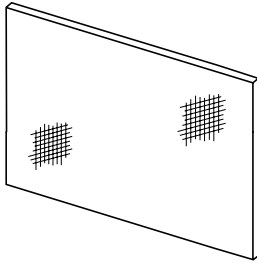
ACCESSORY COMPONENTS (continued)



Firebox Liner Kit

The brickaded liner kits include ceramic panels as shown here. The panels have brick-like features in relief.

Brickaded Wall Liner Kits		
Cat. No.	Model No.	Description
H7581	MBLPK-35ZG	Zen Garden Firebox Liner



Barrier Screen Panel Kit

This easy to install optional screen panel installs over the standard glass enclosure panel and provides a barrier to prevent direct contact with the hot glass surface.

Barrier Screen Panel Kits		
Cat. No.	Model No.	Models Where Used
H6095	35MSPK	MLDVTC-35

(ref. Instruction P/N 750042M)



Tumbled river stone and beach sand Beach sand



Diamond white crushed glass Deep sea blue crushed glass



Deep sea blue crushed glass



Obsidian black crushed glass



Diamond white crushed glass

Contemporary Media		
Cat. No.	Model No.	Description
H7536	MTRS	Tumbled River Stone
H7537	MCCG-OB	Obsidian Black Glass
H7578	MCCG-DW	Diamond White Glass
H7579	MCCG-SB	Deep Sea Blue Glass
H7538	MBSK	White Beach Sand



Touch-Up Paint Kit

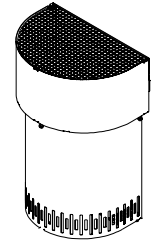
Repair of minor scratches and discoloration of the appliance black painted surfaces may be accomplished with the touch-up paint kit.

Touch-Up Paint Kits (all models)		
Cat. No.	Model No.	Description
90L73	FTPK-B	Touch-Up Paint (Black)

(ref. Instruction P/N 750050M)

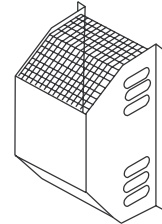
Termination Shroud (fits H1968)

(ref. Instruction P/N 750246M)



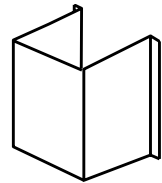
Deluxe Termination Guard (fits 94L10 and H1968)

(ref. Instruction P/N 750055M)



Square Termination Guard (fits 94L10 and H1968)

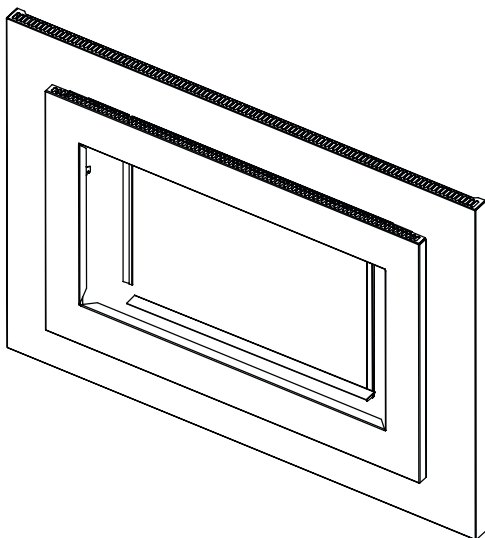
(ref. Instruction P/N 750109M)



Termination Guard Kits

The vent termination guards may be used to cover the vent termination on the exterior of the home to minimize exposure to the hot surface of the termination.

Termination Guard Kits (all models)		
Cat. No.	Model No.	Description
H5820	4.5HTSK	Termination Shroud
87L02	SV4.5HGS	Termination Guard, Deluxe
17M52	SV4.5HGS-1	Termination Guard, Square



Contemporary Facade Kits

This easy to install optional Contemporary Facade kit installs over the front face of the MLDVTC-35 fireplace.

Contemporary Wall Mount Facade		
<i>To Complete 1 Facade Use 1 each Facade Base, Facade Frame and Facade Trim</i>		
Cat. No.	Model No.	Description
H7732	CDFBBK-35	Facade Base, Black
H7733	CDFBSS-35	Facade Base, Stainless
H7730	CDFFBK-35	Facade Frame, Black
H7731	CDFBSS-35	Facade Frame, Stainless
H7727	CDTKBK-35	Facade Trim, Black
H7728	CDTKSS-35	Facade Trim, Stainless
H7729	CDTKBR-35	Facade Trim, Polished Brass

REPLACEMENT PARTS LIST

Item No.	Description	MLDVTC-35	
		Part No.	Qty.
1	Hood	H7266	1
2	Lower Control Compartment Panel	H8937	1
3	Enclosure, Glass Front (Complete)	H7264	1
4	Door Latch Spring	H1264	2
5	Burner Assembly	H7676	1
6	Orifice, Main Burner - Natural Gas	21L82	1
	Orifice, Main Burner - Propane Gas	75L10	1
7	Bag of Contemporary Media (Tumbled River Stone)	H7536	1
	Bag of Contemporary Media (White Beach Sand)	H7538	1
	Bag of Contemporary Media (Obsidian Black Glass)	H7537	1
	Bag of Contemporary Media (Diamond White Glass)	H7578	1
	Bag of Contemporary Media (Deep Sea Blue Glass)	H7579	1
8	Orifice Holder	H7257	1
9	Gas Line Flexible Connector	93L32	1
10	Sub-Floor Front Panel	H7747	1
11	Sub-Floor	H7677	1
12	Porcelain Panel Kit	H7534	1
12A	Porcelain Panel, Left	-	1
12B	Porcelain Panel, Right	-	1
12C	Porcelain Panel, Rear	-	1

Contact an Lennox Hearth Products dealer to obtain any of these parts. Never use substitute materials. Use of non-approved parts can result in poor performance and safety hazards.

 **WARNING**

Failure to position the parts in accordance with these diagrams or failure to use only parts specifically approved with this appliance may result in property damage or personal injury.

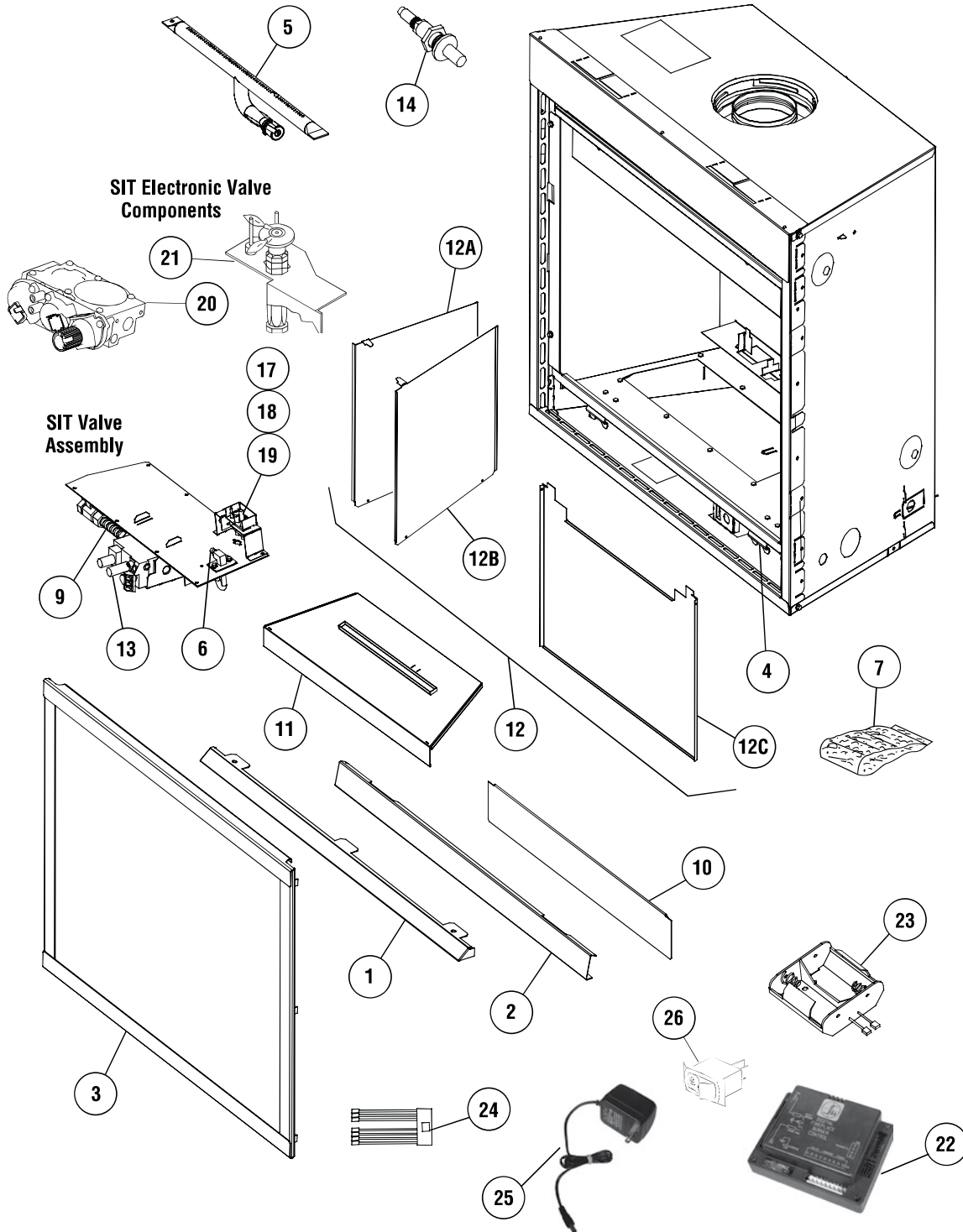
 **AVERTISSEMENT**

Risque de dommages ou de blessures si les pièces ne sont pas installées conformément à ces schémas et ou si des pièces autres que celles spécifiquement approuvées avec cet appareil sont utilisées.

Gas Controls - SIT Millivolt					
Item No.	Description	Natural Gas		Propane Gas	
		Part No.	Qty.	Part No.	Qty.
13	Gas Valve, SIT	H6209	1	88J53	1
14	Piezo Igniter	10K86	1	10K86	1
15	Pilot Assembly	69L17	1	69L18	1
16	Pilot Generator	60J79	1	60J79	1
17	Thermocouple	74L57	1	74L57	1
18	Pilot Tube	74L56	1	74L56	1
19	Electrode and Cable	H6212	1	H6212	1

Gas Controls - SIT Electronic			
Item No.	Description	Part No.	Qty.
20	Gas Valve, Natural Gas, SIT	H8844	1
20	Gas Valve, Propane, SIT	H8594	1
21	Pilot Assembly, Natural Gas	H7268	1
21	Pilot Assembly, Propane	H7269	1
22	Digital Flame Control Module	H7272	1
23	Battery Holder	H8803	1
24	Wiring Harness, Digital Flame Control	H8601	1
25	Transformer	H8006	1
26	CPI ON/OFF Switch	27K30	1

REPLACEMENT PARTS



Lennox Hearth Products reserves the right to make changes at any time, without notice, in design, materials, specifications, prices and also to discontinue colors, styles and products. Consult your local distributor for fireplace code information.

LENNOX®, the LENNOX design, DAVE LENNOX, the image of DAVE LENNOX and other related LENNOX marks are registered or common law trademarks of Lennox Industries Inc. and are used with permission.

