



# CHEMICAL PUMP BREAKDOWN

NP-2070R



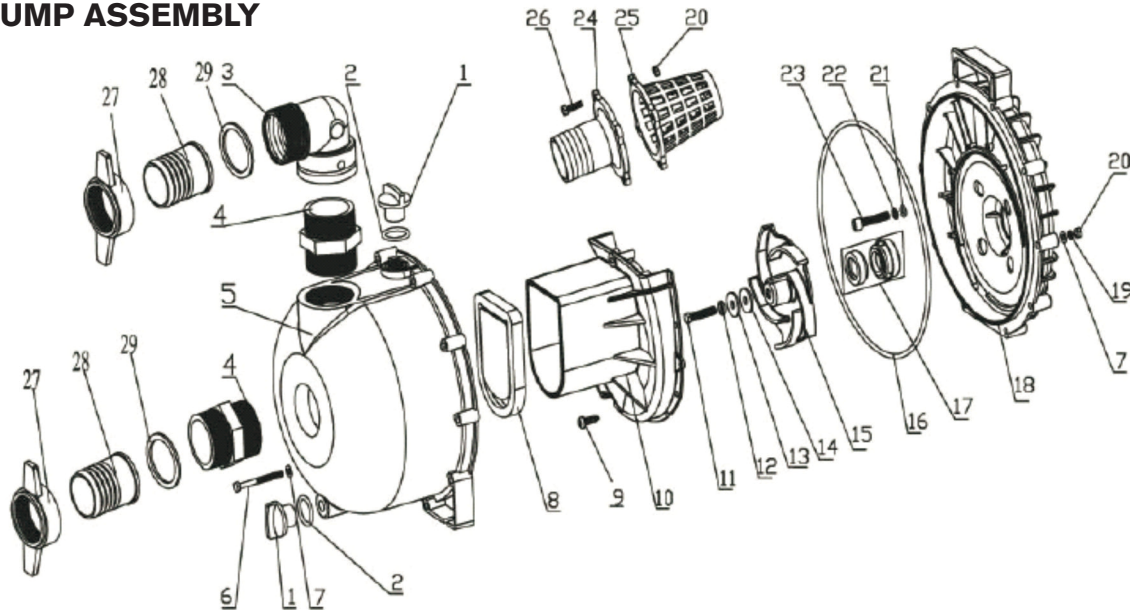
| REF # | DESCRIPTION           | QTY | PARTS                    |
|-------|-----------------------|-----|--------------------------|
| N/A   | Powerase 210cc Engine | 1   | See 85.570.070 Breakdown |



# CHEMICAL PUMP BREAKDOWN

NP-2070R

## WATER PUMP ASSEMBLY



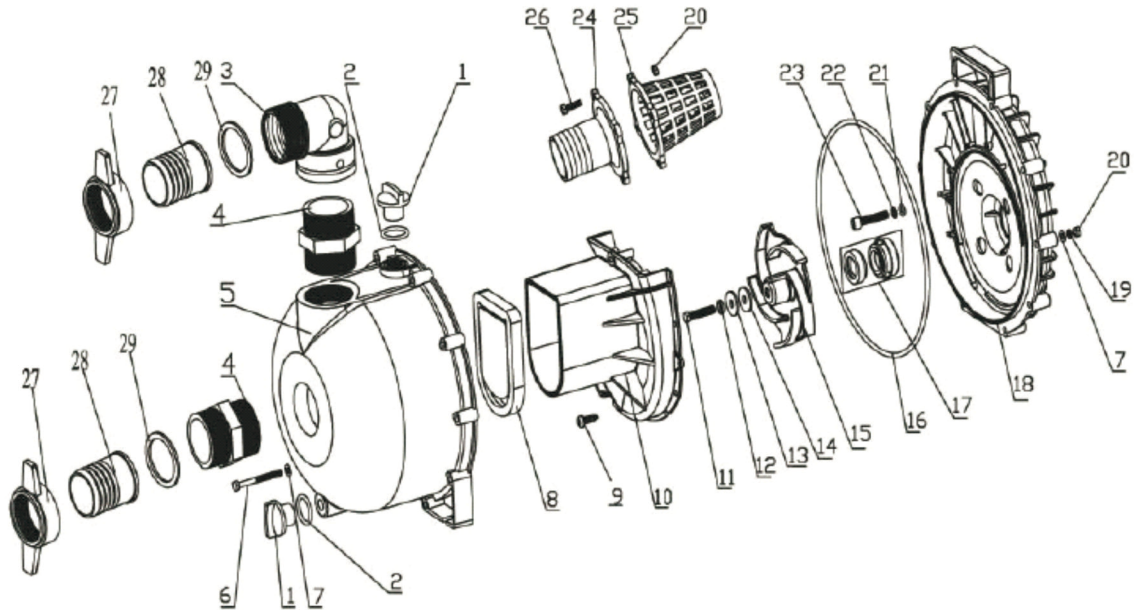
| REF # | DESCRIPTION              | QTY | BE PART #  |
|-------|--------------------------|-----|------------|
| 1     | THREAD PLUG              | 2   | 85.571.160 |
| 2     | SCREW PLUG WASHER        | 2   |            |
| 3     | WATER OUTLET             | 1   | 85.571.161 |
| 4     | WATER INLET              | 2   |            |
| 5     | PUMP BODY                | 1   | 85.571.168 |
| 8     | WATER INLET GASKET       | 1   |            |
| 12    | WASHER                   | 1   |            |
| 13    | WASHER                   | 1   |            |
| 14    | WASHER                   | 1   |            |
| 16    | WATER PUMP JOINT CUSHION | 1   |            |
| 17    | MECHANISM SEAL ASSY      | 1   |            |
|       | PORCELAIN SEAL           | 1   |            |
|       | IMPELLER SEAL RING       | 1   |            |
| 6     | BOLT                     | 10  |            |
| 7     | FLAT WASHER              | 20  |            |
| 9     | SCREW                    | 2   |            |
| 14    | WASHER                   | 1   |            |
| 13    | WASHER                   | 1   |            |
| 12    | WASHER                   | 1   |            |
| 11    | SCREW                    | 1   |            |
| 19    | WASHER                   | 10  |            |
| 20    | NUT                      | 14  |            |
| 21    | WASHER                   | 4   |            |
| 22    | WASHER                   | 4   |            |
| 23    | SCREW                    | 4   |            |
|       |                          |     | 85.571.162 |
|       |                          |     | 85.571.169 |



# CHEMICAL PUMP BREAKDOWN

NP-2070R

## WATER PUMP ASSEMBLY



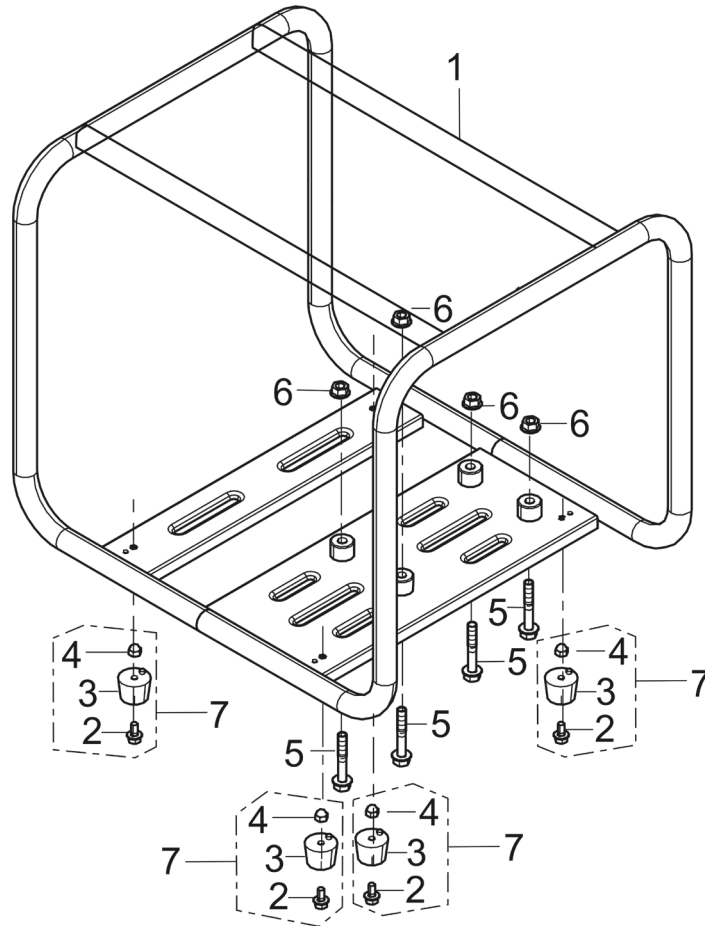
| REF # | DESCRIPTION         | QTY | BE PART #  |
|-------|---------------------|-----|------------|
| 10    | WHORL CASE          | 1   | 85.571.166 |
| 15    | WATER PUMP IMPELLER | 1   | 85.571.163 |
| 18    | WATER PUMP JOINT    | 1   | 85.571.167 |
| 20    | NUT                 | 4   | 85.571.164 |
| 24    | FILTER COVER        | 1   |            |
| 25    | FILTER              | 1   |            |
| 26    | BOLT                | 4   |            |



# CHEMICAL PUMP BREAKDOWN

NP-2070R

## FRAME ASSEMBLY



| REF # | DESCRIPTION                        | QTY | BE PART #  |
|-------|------------------------------------|-----|------------|
| 2     | Bolt                               | 4   | 50.002.205 |
| 3     | Engine Frame Shock Absorption Seat | 4   |            |
| 4     | Acorn Nut                          | 4   |            |