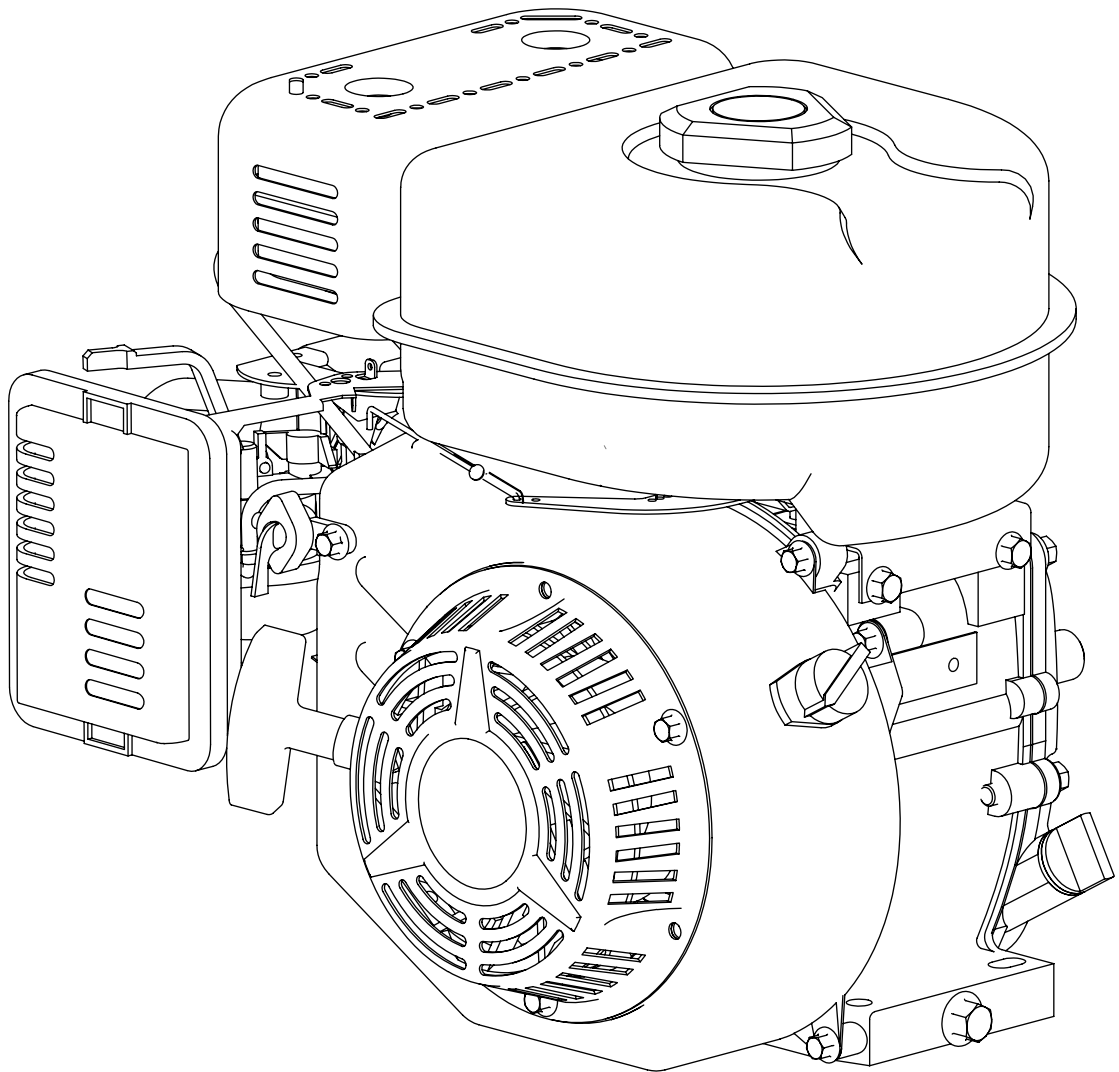
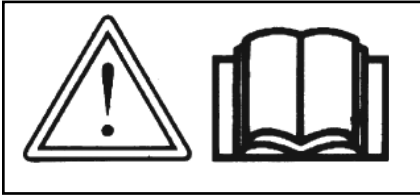


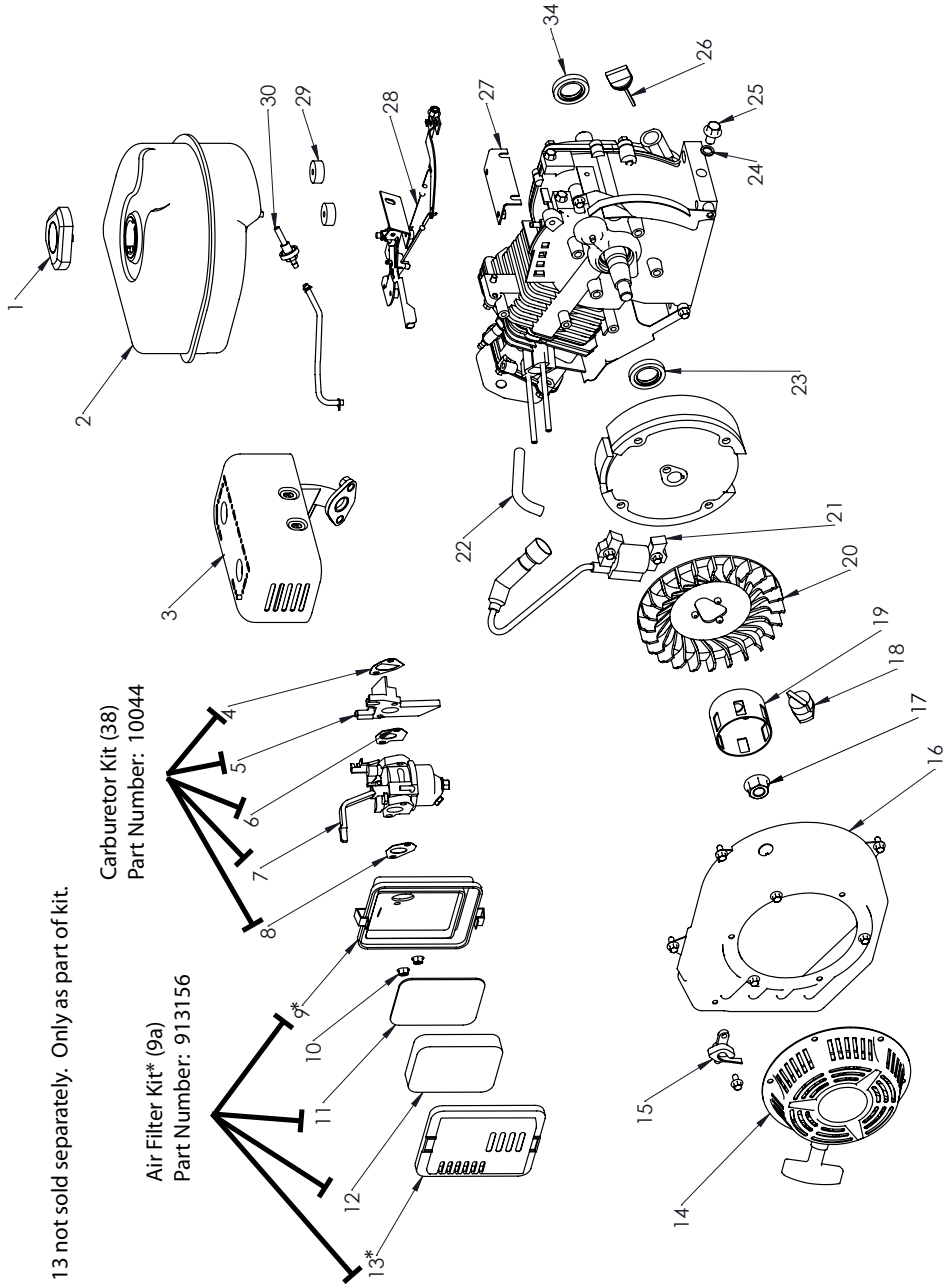


Operator's Manual
Original Operating Instructions

**Viper® 196cc
4-Cycle Engine**



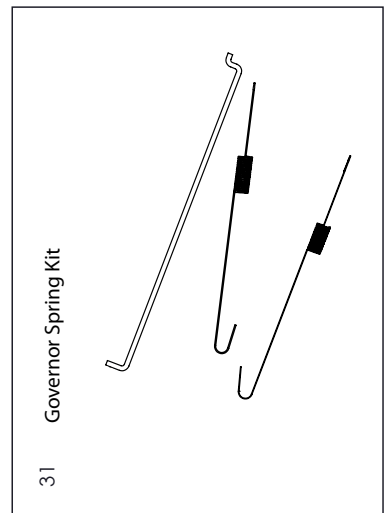
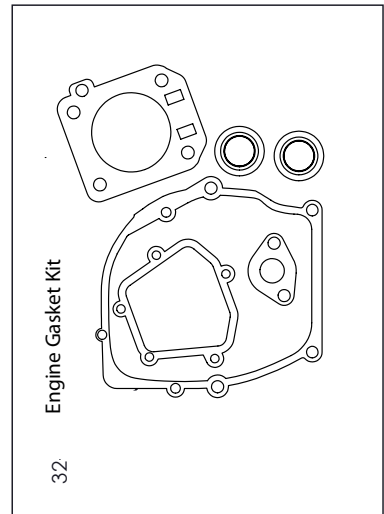
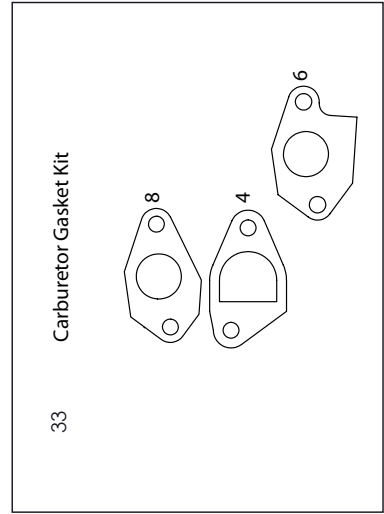
Includes Model: 31320E, 31320, 31330



Carburetor Kit (38)
Part Number: 10044

Air Filter Kit* (9a)
Part Number: 913156

*Keys 9 and 13 not sold separately. Only as part of kit.



196CC ENGINE MAIN PARTS LIST

REF NO.	PART NO.	DESCRIPTION	QTY.
1	913418	FUEL CAP	1
2	913419 913791	FUEL TANK 31320/31320E FUEL TANK 31330 ("L" SHAPED)	1
3	913424	MUFFLER ASSEMBLY	1
4	913380	GASKET INTAKE	1
5	913381	HEAT SHIELD	1
6	913382	CARBURETOR GASKET	1
7	913407	CARBURETOR	1
8	913393	AIR CLEANER GASKET	1
*9	--	AIR CLEANER BODY	1
9a	913156	KIT AIR CLEANER FOR 196CC VIPER	1
10	64131	NUT M6 X1.0 HSF GR8.8 ZN	2
*11	913175	AIR CLEANER SUPPORT	1
*12	913174	AIR CLEANER ELEMENT	1
*13	--	AIR CLEANER COVER	1
14	913446	STARTER ASSEMBLY	1
15	913466	VALVE FUEL SHUT-OFF	1
16	913433	BLOWER HOUSING RECOIL	1
17	64274	NUT FLYWHEEL	1
18	913435	ENGINE SWITCH	1
19	64275	STARTER CUP	1
20	913468	FLYWHEEL FAN	1
21	913474	IGNITION COIL	1
22	913332	BREATHER TUBE	1

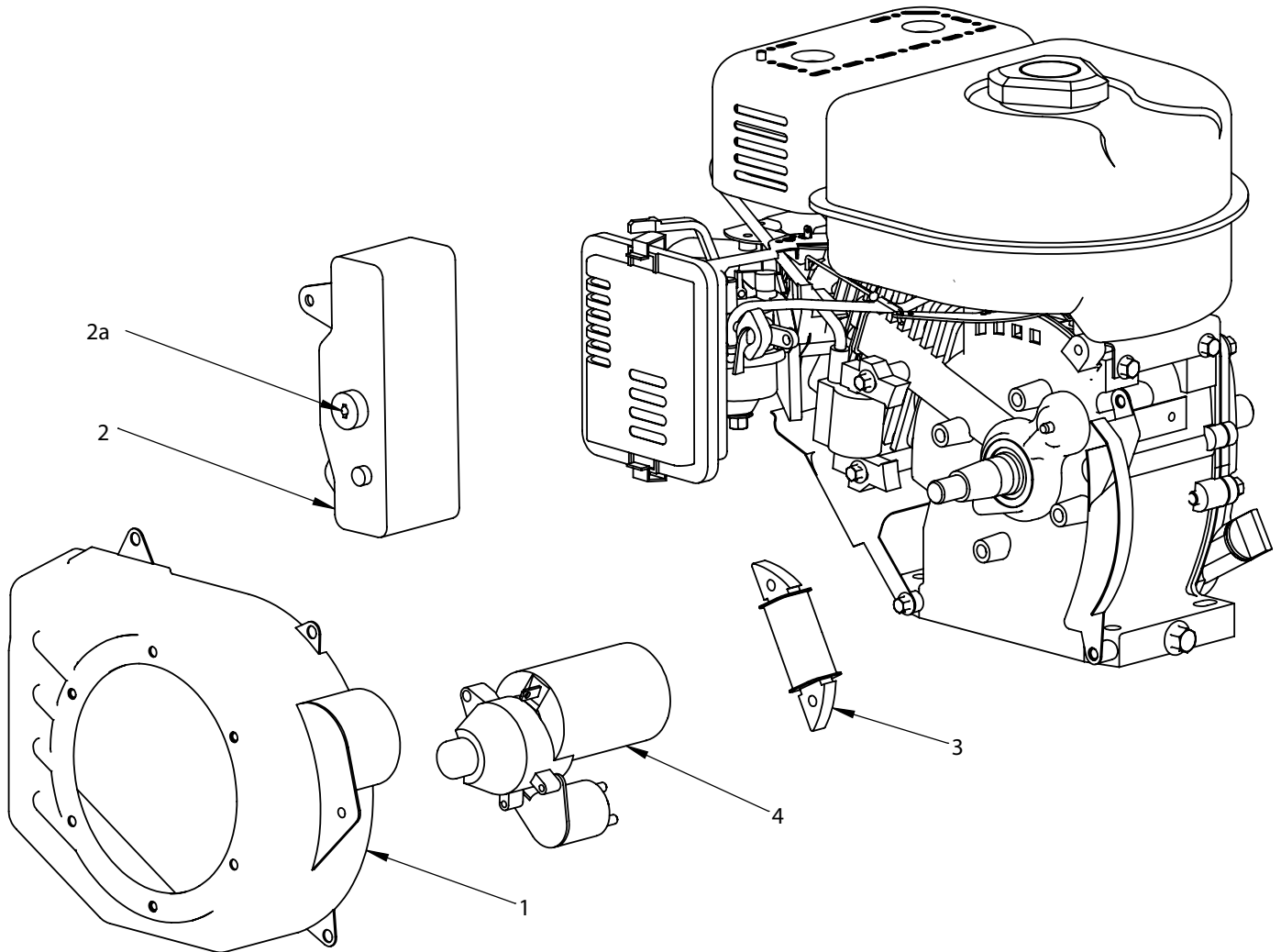
*Keys 9, 11, 12, and 13 are available as an air filter kit, part number 913156. Keys 9 and 13 are only available as part of the kit. Keys 11 and 12 can also be purchased separately.

REF NO.	PART NO.	DESCRIPTION	QTY.
23	64183	OIL SEAL MAG	1
24	64157	WASHER	1
25	64156	OIL PLUG	1
26	913328	DIPSTICK W/SEAL	1
27	913172	SUPPORT TANK	1
28	913465	BACK SPRING SPEED CONTROL	1
29	913420	FUEL TANK SHOCK PAD	2
30	913412	CONNECTOR FUEL FILTER	1
31	913514	GOV SPRING KIT	1
32	913177	ENGINE GASKET KIT	1
33	913176	CARB. GASKET KIT	1
34	913329 913794	OIL SEAL PTO 31320/31320E OIL SEAL PTO 31330	1
35	31320	MANUAL START ENGINE-COMPLETE (NOT SHOWN)	1
36	31320E	ELECTRIC START ENGINE-COMPLETE (NOT SHOWN)	1
37	31330	MANUAL START ENGINE-COMPLETE, WITH "L" SHAPED TANK (NOT SHOWN)	1
38	10044**	KIT CARBURETOR	1

All weights, specifications and features are approximate and are subject to change without notice. Due to continuous product improvements, product images may not be exact items.

** Carburetor kit (P/N 10044) includes intake gasket (4), heat shield (5), carburetor gasket (6), carburetor (7), and air cleaner gasket (8).

196cc ELECTRIC START PARTS EXPLOSION



REF NO.	PART NO.	DESCRIPTION	QTY.
1	913164	BLOWER HOUSING ELECTRIC START	1
2	913165	KEY SWITCH ASSEMBLY	1
2A	46139	IGNITION KEY (NOT SHOWN)	1
3	913475	CHARGING COIL	1
4	913482	STARTER MOTOR ASSEMBLY	1

All weights, specifications and features are approximate and are subject to change without notice. Due to continuous product improvements, product images may not be exact items.