

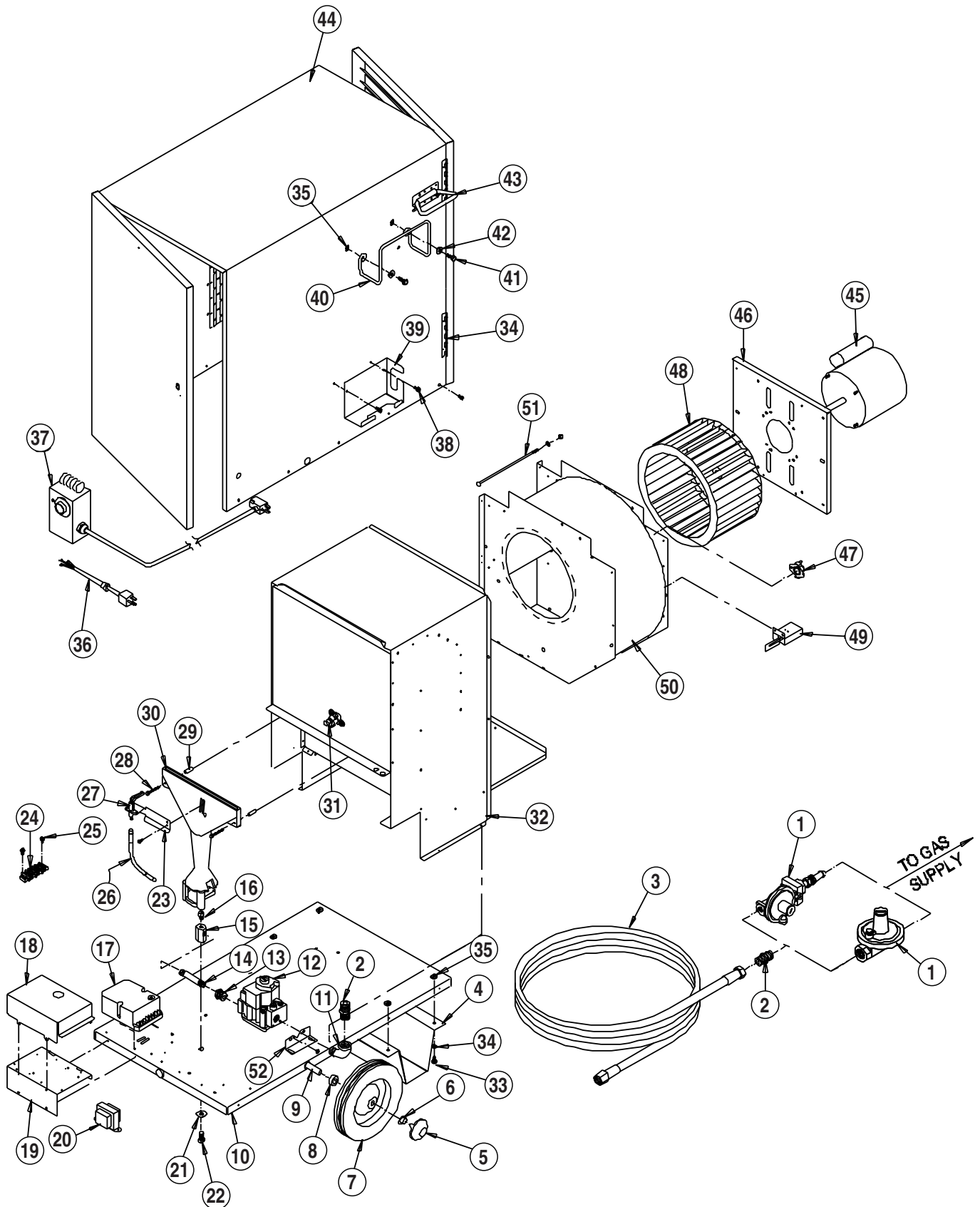


***FOREMAN***

***Portable Unit Heaters***

# Portable Unit Heaters

## MODEL CS170



# Portable Unit Heaters

## PARTS IDENTIFICATION

Item	Description	Design Sequence		Part Number	
		C	D		
1	Regulator	L.P. Gas	X	X	400-09911
		Natural Gas	X	X	400-09795
2	Adapter, Hose 1/2 NPT x 1/2 NPS,		X	X	310-02894
3	Hose, 1/2 In.x 10 Ft		X	X	550-20704
4	Kit, Leg Bracket		X	X	500-20960
5	Cap, Hub		X	X	130-07187
6	Retaining Cap		X	X	130-01095
7	Wheel		X	X	130-09160
8	Spacer		X	X	130-07905
9	Axle		X	X	330-06421
10	Base		X	X	225-09150
11	Ell		X	X	130-09309
12	Valve, Gas Control	L.P. Gas	X	X	120-09368
		Natural Gas	X	X	120-09428
13	Bushing		X	X	130-01519
14	Nipple		X	X	130-03115
15	Holder, Orifice		X	X	310-09759
16	Orifice, Burner	L.P. Gas	X	X	310-09786
		Natural Gas	X	X	310-09787
17	Control Ignition		X	X	120-08810
18	Cover		X	X	225-08964
19	Bracket		X	X	225-08963
20	Transformer		X	X	120-08922
21	Washer		X	X	130-01589
22	Bolt		X	X	130-02692
23	Bracket, Igniter		X	X	260-09783
24	Terminal Strip		X	X	120-08253
25	Screw		X	X	130-02330
26	Wire, Igniter		X	X	120-09348
27	Igniter		X	X	410-06479
28	Screw		X	X	130-02688
29	Spacer		X	X	130-02687
30	Burner		X	X	320-03453
31	Switch, High Limit		X	X	120-03933
	Burner End (275 F)				
32	Chamber, Heat		X	X	400-09133
33	Bolt		X	X	L130-11267
34	Washer		X	X	130-02513
35	Cage Nut		X	X	130-07708
36	Cord, Power		X	X	120-09917
37	Thermostat Kit w/ 20 Ft. Cord		X	X	500-21790
38	Screw		X	X	130-07288
39	Bracket, Regulator Storage		X	X	225-09919
40	Hanger, Hose		X	X	130-08936
41	Bolt		X	X	130-11254
42	Washer		X	X	130-03054
43	Handle		X	X	130-08534
44	Case, Assembly		X	X	400-09927
45	Motor		X	X	120-20169
46	Mount, Motor		X	X	225-08647
47	Switch, High Limit, Motor		X	X	120-09784
	End (190 F)				
48	Fan		X	X	130-09050
49	Switch, Air Proving		X	X	400-09925
50	Housing Fan		X	X	400-09789
	w/ Motor, Fan, High Limit & Air Proving Switches				
51	Bolt, 7 1/2 In.		X	X	130-09239
52	Bracket, Gas Control		X	X	225-09760