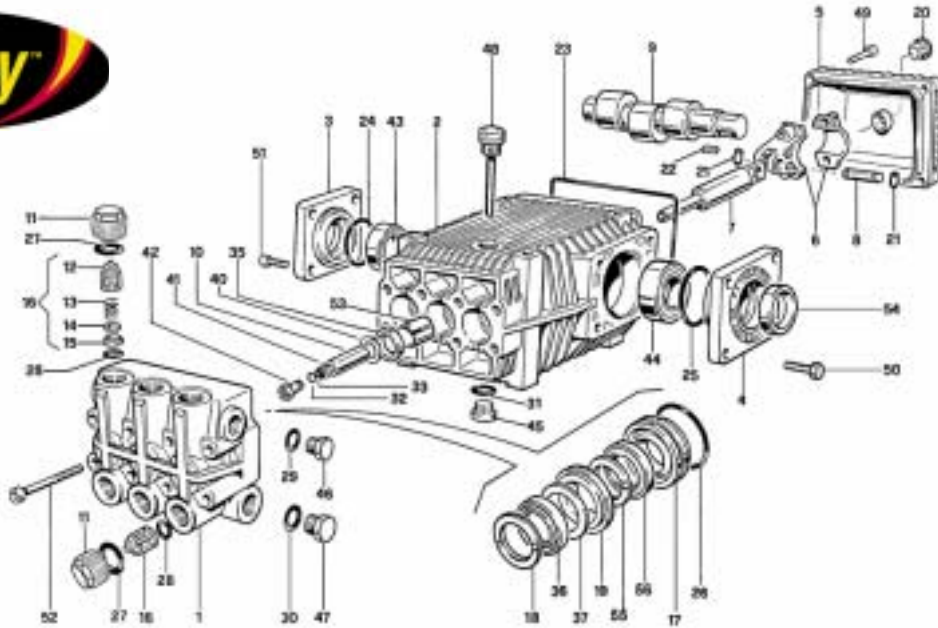


Legacy Model KTV 4040



POS NO.	PART NO.	DESCRIPTION	KIT	NO. PCS.
1	15-060083282	Pump Head Plated		1
2	15-060090092	Pump Crankcase		1
3	15-06009092	Bearing Cover		1
4	15-060092092	Bearing Cover		1
5	15-060006092	Crankcase Cover		1
6	15-069800972	Connecting Rod		3
7	15-060058512	Plunger Rod		3
8	15-060007492	Piston Pin Dia. 15 MM		3
9/1	15-060032262	Crankshaft E=5.87 Dia. 30 MM		1
10	15-060009182	Ceramic Piston Dia. 20MM		8
11	15-070043532	Nickel Plated Valve Cap		1
12	15-060105322	Valve Cage	123	1
13	15-940054512	Valve Spring	123	3
14	15-060104512	Poppet	123	6
15	15-060110512	Valve Seat	123	6
16	15-069846973	Check Valves	123	6
17	15-060036532	Back Gland Dia. 20MM	86	6
18	15-802065302	Thrust Ring Dia. 20	86, 90	6
19	15-060076532	Intermediate Ring	87	6
20	15-853515502	Oil Plug G 3/4 with O-Ring		1
21	15-801099002	Circlip Dia. 15		3
22	15-806534002	Tab 8x7x35		3
23	15-803210902	O-Ring Dia. 2.62 x 152		1
24	15-803080702	O-Ring Dia. 2.62 x 67.95		1
25	15-803210642	O-Ring Dia. 2.62 x 75.87		1
26	15-803080102	O-Ring Dia 1.78 x 37.82	86, 89	3
27	15-803182002	O-Ring Dia. 2.62 x 17.13		6

POS NO.	PART NO.	DESCRIPTION	KIT	NO. PCS.
28	15-803182002	O-Ring Dia. 2.62 x 17.13	123	6
29	15-824180002	Gasket Dia. 27 x 36 x 1		1
30	15-824140002	Gasket for Coupling 21.2 x 26 x 1		1
31	15-803204002	O-Ring Dia. 2.62x23.81		1
32	15-803058002	O-Ring Dia. 1.78 x 10.82		3
33	15-803902002	BKC Long Life Ring		3
35	15-802090002	Oil Seal Dia. 17	37	3
36	15-802065102	Super "U" Packing Dia.20 x 30DD	86, 89	3
37	15-060086322	Anti-Extrusion Ring	86, 89	3
40	15-060018682	Washer Dia. 14x38x0.5		3
41	15-843646002	Washer		3
42	15-060072002	Piston Bolt		3
43	15-812848002	Str. Roller Bearing Dia. 35x72x17 CO		1
44	15-812870002	Str. Roller Bearing Dia. 35x80x21 CO		1
45	15-852687002	Galvanized Cap TCCE 3/4 DIN 908		1
46	15-852628002	Cap 1/2 G		1
47	15-85229002	Plug G 1/2"		1
48	15-060020322	Filler Plug with Dip Stick		1
49	15-862216002	Screw M6x25		4
50	15-863265002	Screw M10x25		4
51	15-862562002	Screw M 8x20		4
52	15-862951002	Screw		8
53	15-804300002	Self-Lubricating Bushing		3
54	15-802143002	Oil Seal		1
55	15-380392322	Thrust Ring Dia. 20 x 30	86, 89	3
56	15-802064002	High Pressure Seal Dia. 20 x 30	86, 89	3

	KIT 123 CHECK VALVE/O-RING	KIT 37 PLUNGER OIL SEAL	KIT 86 PACKING/ BRASS ASSY	KIT 89 PACKING ONLY
KIT BREAKDOWN				
PART #	15-123	15-37	15-86	15-89
TOTAL PCS.	12	3	24	18