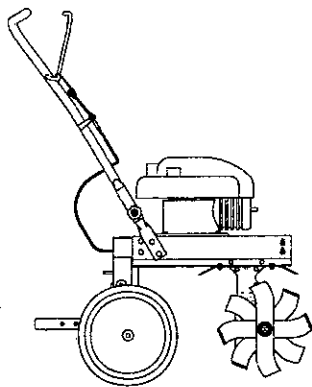


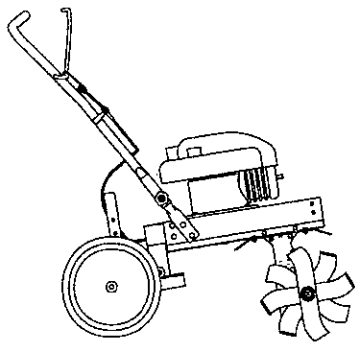
Earthquake®

Front Tine Rototiller

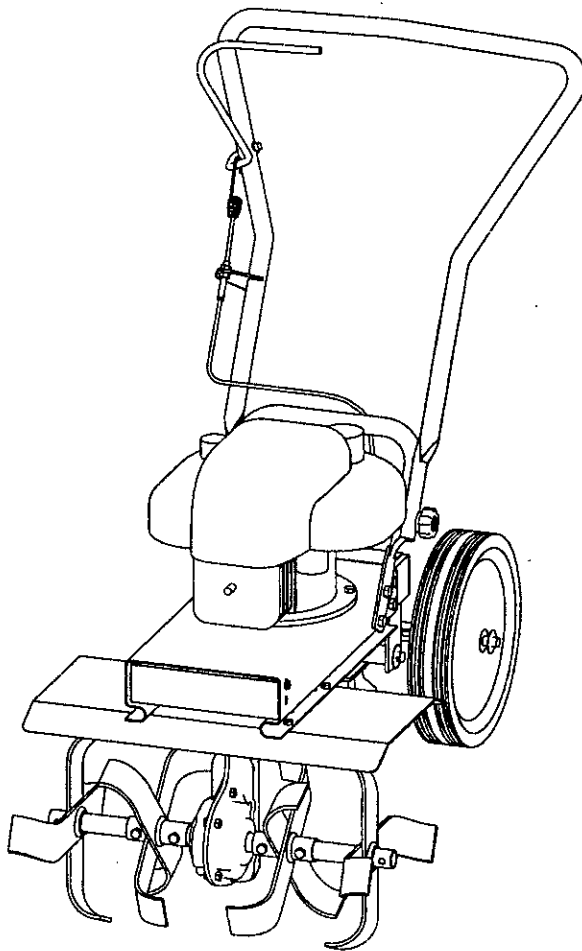
Operator's Manual



Transport Position



Operating Position

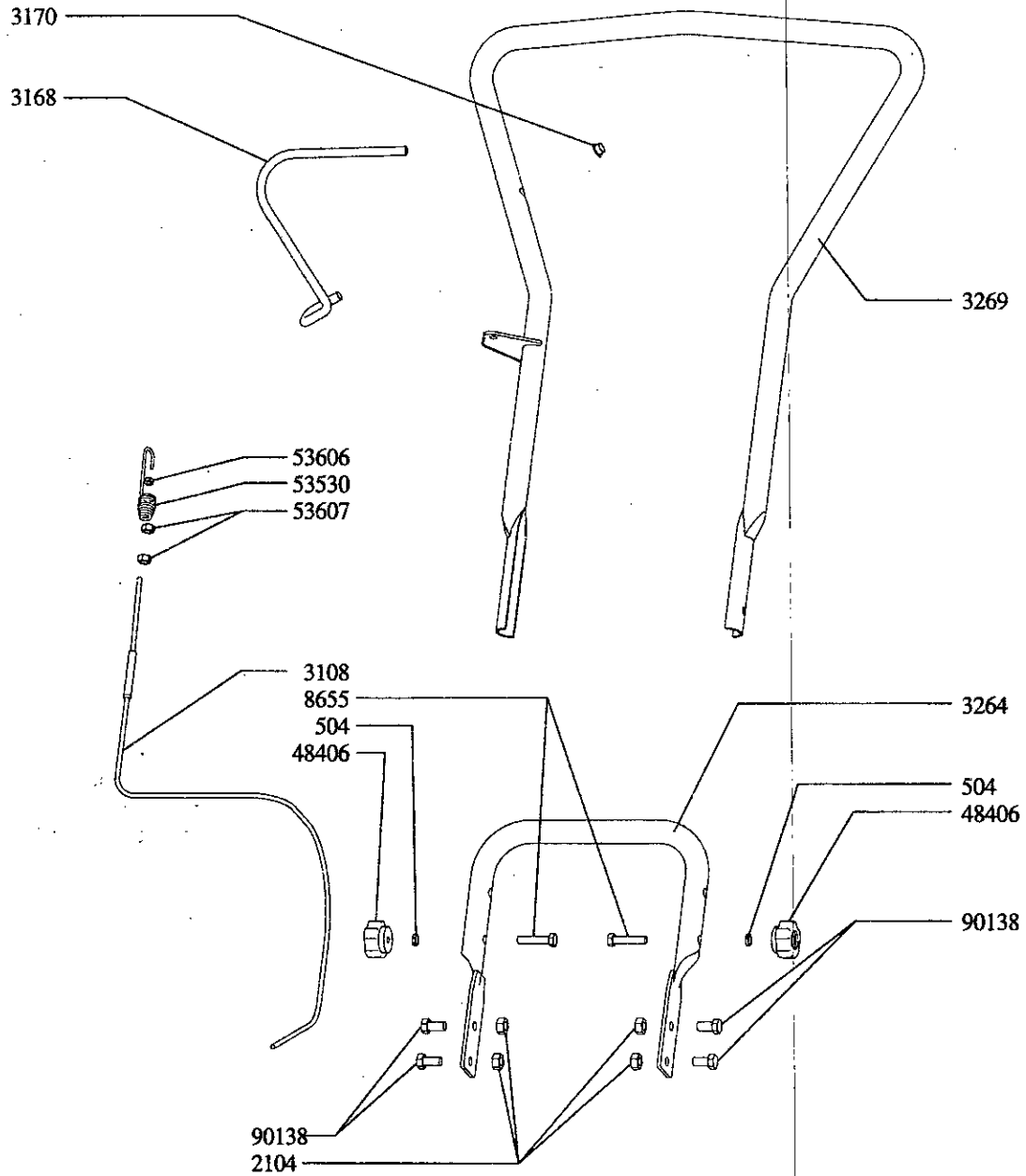


Includes Models
3100, 3200, 3201
Badger Series

OM3200
Rev. 02/02
© Copyright 2002 Ardisam, Inc.
All Rights Reserved. Printed in USA.

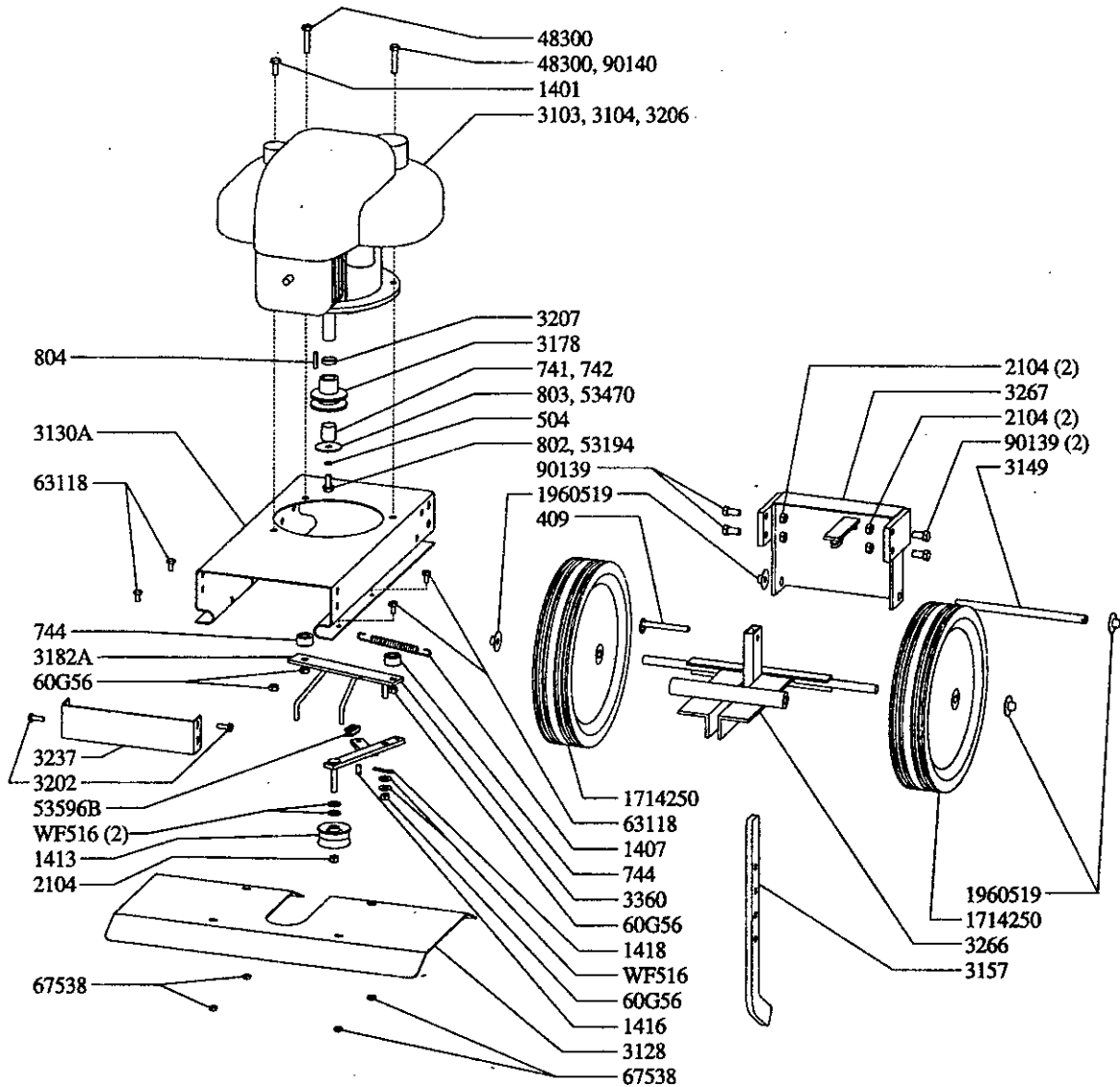


3100/3200/3201 Handlebar Assembly



<u>PART #</u>	<u>DESCRIPTION</u>	<u>QTY.</u>
504	LOCKWASHER-Spring, 5/16"	2
2104	NUT-Hex, 3/8"-16	4
3108	CABLE ASSEMBLY	1
3168	DRIVE SAFETY CONTROL LEVER	1
3170	PUSH NUT, 3/8" Dia	1
3264	BOTTOM HANDLE	1
3269	TOP HANDLE	1
8655	BOLT-Hex Hd, 5/16-18 x 1-3/4"	2
48406	KNOB-Five Star Black, 5/16-18	2
53530	SPRING-Bee Hive, Forward Cable Adjust	1
53606	NUT-Nyloc, #10	1
53607	NUT-Jam, 5/16"-24	2
90138	BOLT-Hex Hd, 3/8"-16 x 1", Grade 5	4

3100/3200/3201 Motor Mount & Hood Assembly



<u>PART #</u>	<u>DESCRIPTION</u>	<u>QTY.</u>	<u>PART #</u>	<u>DESCRIPTION</u>	<u>QTY.</u>
60G56	NUT-Biway Lock, 5/16-18	4	3178	PULLEY-2 Groove, Engine, 3/4" ID	1
409	DETENT PIN, 5/16"	1	3182A	BELT GUIDE & MOUNT	1
504	LOCKWASHER-Spring, 5/16"	1	3202	SCREW-Sheet Metal, 1/4" x 3/4"	2
741	SPACER, Crankshaft (Tec)	1	3206	ENGINE, 4-hp Briggs & Stratton (3201)	1
742	SPACER, Crankshaft (Briggs)	1	3207	SPACER-Engine	1
744	SPACER	2	3237	FRONT BELT COVER	1
802	CAPSCREW-Hex Hd, 5/16-24 x 3/4" (Briggs)	1	3266	DRAG BAR MOUNT	1
803	WASHER, 5/16" ID x 1-5/8" OD, Eng. Pulley	1	3267	REAR COVER & MOUNT,	1
804	KEY-Square, 3/16" x 1"	1	3360	IDLER ARM-Forward	1
1401	CAPSCREW-Hex Hd, 5/16-18 x 1-1/4"	1	48300	BOLT-Hex Hd, 5/16-18 x 2-1/4"	2
1407	SPRING-Idler Arm	1	53194	BOLT-Hex, 3/8-24 x 1" Full Thrd. (Tec)	1
1413	PULLEY-Forward Idler	1	53470	WASHER, 3/8" ID x 1-5/8" OD	1
1416	LINK PIN	1	53596B	CABLE YOKE	1
1418	COTTER PIN	1	63118	BOLT-HHCS, 1/4-20 x 1/2"	4
2104	NUT-Hex, 3/8-16 Two-Way	5	67538	NUT-Nyloc, 1/4"	4
3103	ENGINE, 5.5-hp Tecumseh (3100)	1	90139	BOLT-Serrated Flange, 3/8-16 x 1"	4
3104	ENGINE, 5-hp Briggs & Stratton (3200)	1	90140	BOLT-Hex Hd, 5/16-18 x 3-1/4"	1
3128	SHIELD-Tine	1	1714250	WHEEL & TIRE ASSEMBLY	2
3130A	FRAME-Engine Mount	1	1960519	PUSH NUT, 1/2" Dia.	4
3149	WHEEL SHAFT, 1/2" Hinge	1	WF516	WASHER-Flat, 5/16"	4
3157	DEPTH REGULATOR LEVER	1			

