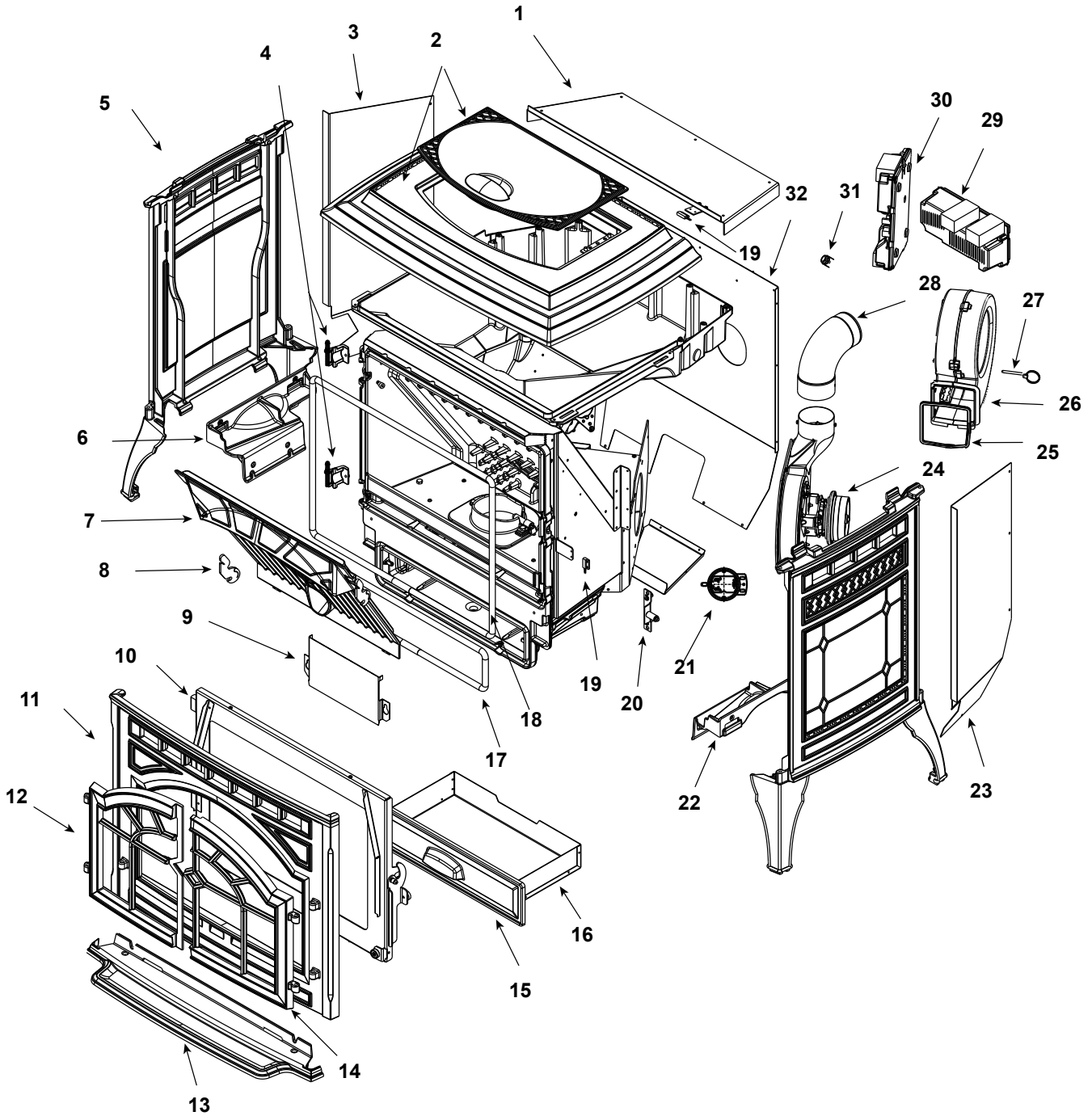


Pellet Stove
Last Serial #HF1895592

Beginning Manufacturing Date: Sept. 2006
Ending Manufacturing Date: May 2019

MTVERNON-AE-CSB(Ending Manufacturing Date: May 2019)
MTVERNON-AE-PMH(Ending Manufacturing Date: May 2019)
MTVERNON-AE-PFT(Ending Manufacturing Date: May 2019)
MTVERNON-AE-CWL(Ending Manufacturing Date: June 2011)

MTVERNON-AE-MBK(Ending Manufacturing Date: May 2019)
MTVERNON-AE-PBK(Ending Manufacturing Date: May 2019)
MTVERNON-AE-PDB(Ending Manufacturing Date: May 2019)



Part number list on following page.

IMPORTANT: THIS IS DATED INFORMATION. Parts must be ordered from a dealer or distributor. **Hearth and Home Technologies does not sell directly to consumers.** Provide model number and serial number when requesting service parts from your dealer or distributor.



Stocked at Depot

ITEM	DESCRIPTION	COMMENTS	PART NUMBER	
1	Hopper Top		7034-169	
<p>#2 Hopper Lid Assembly</p>				
2.1	Hopper Lid	Matte Black	7034-157MBK	
		Porcelain Black	7034-157PBK	
		Porcelain Dark Blue	7034-157PDB	
		Porcelain Frost	7034-157PFT	
		Sienna Bronze	7034-157CSB	
		No longer available	7034-157CWL	
		Mahogany	7034-157PMH	
	Gasket, Hopper Lid	10 FT	7000-320/10	
	Gasket, Hopper, Front/Back		SRV7034-236	
2.2	Magnet, Round		SRV7000-140	Y
2.3	Hinge Arm Right - Hopper Lid Bracket		7034-160	
	Hinge Arm Left - Hopper Lid Bracket		7034-161	
2.4	Top	Matte Black	7034-155MBK	
		Porcelain Black	7034-155PBK	
		Porcelain Dark Blue	7034-155PDB	
		Porcelain Frost	7034-155PFT	
		Sienna Bronze	7034-155CSB	
		No longer available	7034-155CWL	
		Mahogany	7034-155PMH	
2.5	Hinge Pin - Holds Hopper Lid to Top		SRV7034-159	
2.6	Hinge Retainer - Holds Hopper Lid to Top		SRV7034-163	
2.7	Screw, 1/4 - 20 X 5/8	Pkg of 10	7000-426/10	Y
3	Shroud Left		7034-172	
4	Hinge Male		SRV7034-138	

Additional service part numbers appear on following page.

Beginning Manufacturing Date: Sept. 2006
Ending Manufacturing Date: May 2019

IMPORTANT: THIS IS DATED INFORMATION. Parts must be ordered from a dealer or distributor. **Hearth and Home Technologies does not sell directly to consumers.** Provide model number and serial number when requesting service parts from your dealer or distributor.



Stocked at Depot

ITEM	DESCRIPTION	COMMENTS	PART NUMBER	
5	Side (Interchangeable)	Matte Black	7005-107MBK	
		Porcelain Black	7005-107PBK	
		Porcelain Dark Blue	7005-107PDB	
		Porcelain Frost	7005-107PFT	
		Sienna Bronze	7005-107CSB	
		No longer available	7005-107CWL	
		Mahogany	7005-107PMH	
6	Side Mount Left		7034-128	
7	Baffle		SRV7034-263	Y
8	Latch, Baffle		SRV7034-149	
9	Intake Shield		7034-224	Y
<p>#10 Door Assembly</p>				
10	Door Assembly		7034-006	
10.1	Hinge, Female		SRV450-2910	
10.2	Door Air Deflector		7034-185	
10.3	Magnet Bracket Assembly		7034-008	
	Magnet Round		SRV7000-140	Y
10.4	Door Frame Assembly		7034-026	
10.5	Door Latch Assembly		7034-039	
10.6	Glass Assembly - 21 in. W x 14 in. H		7034-007	Y
	Gasket, Channel 3 Mm X 32 - Field Cut To Size	10 Ft	7000-377/10	Y
10.7	Glass Retainer		7034-136	
11	Front, Face	Matte Black	7005-108MBK	
		Porcelain Black	7005-108PBK	
		Porcelain Dark Blue	7005-108PDB	
		Porcelain Frost	7005-108PFT	
		Sienna Bronze	7005-108CSB	
		No longer available	7005-108CWL	
		Mahogany	7005-108PMH	

Additional service part numbers appear on following page.

Beginning Manufacturing Date: Sept. 2006
Ending Manufacturing Date: May 2019

IMPORTANT: THIS IS DATED INFORMATION. Parts must be ordered from a dealer or distributor. **Hearth and Home Technologies does not sell directly to consumers.** Provide model number and serial number when requesting service parts from your dealer or distributor.



Stocked
at Depot

ITEM	DESCRIPTION	COMMENTS	PART NUMBER	
12	Door Left	Matte Black	7005-110MBK	
		Porcelain Black	7005-110PBK	
		Porcelain Dark Blue	7005-110PDB	
		Porcelain Frost	7005-110PFT	
		Sienna Bronze	7005-110CSB	
		No longer available	7005-110CWL	
		Mahogany	7005-110PMH	
13	Ash Lip	Matte Black	7005-111MBK	
		Porcelain Black	7005-111PBK	
		Porcelain Dark Blue	7005-111PDB	
		Porcelain Frost	7005-111PFT	
		Sienna Bronze	7005-111CSB	
		No longer available	7005-111CWL	
		Mahogany	7005-111PMH	
14	Door Right	Matte Black	7005-109MBK	
		Porcelain Black	7005-109PBK	
		Porcelain Dark Blue	7005-109PDB	
		Porcelain Frost	7005-109PFT	
		Sienna Bronze	7005-109CSB	
		No longer available	7005-109CWL	
		Mahogany	7005-109PMH	
15	Ash Pan Door		SRV7034-133	
16	Ash Pan Assembly		SRV7034-069	
	Roller Catch	Pre 00700109156	SRV7000-494	Y
	Twin Ball catch	Post 00700109156	SRV7000-532	Y
17	Gasket, Rope, Ash Door		SRV7034-178	Y
18	Gasket, Door Rope		SRV7034-177	Y
19	Magnetic Switch		SRV7000-375	Y
20	Latch Bracket Assembly		SRV7034-049	Y
21	Vacuum Switch		SRV7000-531	Y
22	Side Mount Right		7034-126	
23	Shroud Right		SRV7034-171	
24	Combustion Motor, Fan, & Gasket (No Housing)		SRV7000-588M	Y
	Gasket, Blower, Combustion (between...)	...Housing & Stove	SRV7000-332	Y
	Gasket, Motor, Blower, Combustion (between...)	...Housing & Motor	SRV7000-714	Y
		Pkg of 10	SRV7000-714/10	Y
25	Gasket, Blower, Convection		SRV7000-329	
26	Convection Blower		SRV7000-260	Y

Additional service part numbers appear on following page.

Beginning Manufacturing Date: Sept. 2006
Ending Manufacturing Date: May 2019

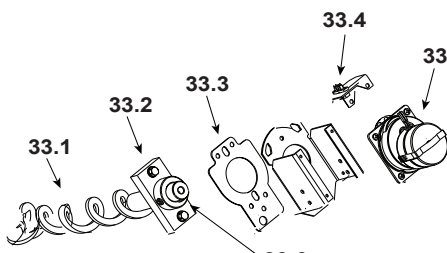
IMPORTANT: THIS IS DATED INFORMATION. Parts must be ordered from a dealer or distributor. **Hearth and Home Technologies does not sell directly to consumers.** Provide model number and serial number when requesting service parts from your dealer or distributor.



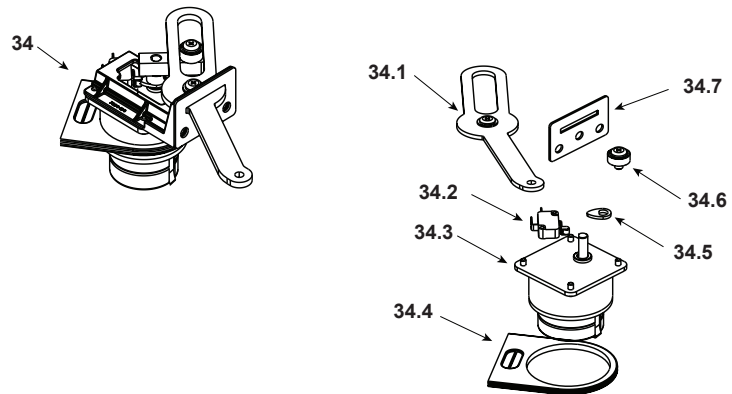
**Stocked
at Depot**

ITEM	DESCRIPTION	COMMENTS	PART NUMBER	
27	Detent Pin	Pre 00700103644	7000-376	
	Elbow Latch	Post 00700103644	7000-393	
28	Exhaust Transition Assembly		SRV7034-139	
29	Power Supply Assembly		SRV7000-443	Y
	Fuse 5A Slow IEC	Pkg of 10	7000-490/10	Y
30	Control Board Assembly		SRV7000-456	Y
	Fuse 15A Slow Iec Glass	Pkg of 10	7000-491/10	Y
31	Snap Disc, Manual Reset		SRV230-1290	Y
32	Rear Shroud		7034-170	

#33 Feed Assembly



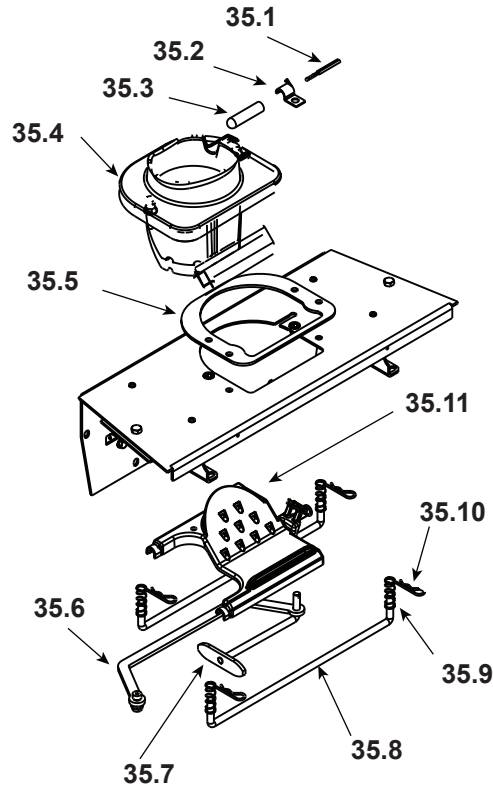
#34 Auto-Clean Motor/Arm Assembly



33	Feed Assembly		SRV7034-004	Y
33.1	Feed Spring Assembly (Only)		SRV7001-046	Y
33.2	Bearing, Feed System, Nylon		SRV7000-598	Y
33.3	Gasket, Feed Motor		SRV7034-144	
33.4	Optical Switch Assembly		SRV7034-038	Y
33.5	Feed Motor DC		SRV7000-313	Y
33.6	Collar, Set, 7/8		229-0520	
34	Auto-Clean Motor/Arm Assembly		SRV7034-020	Y
34.1	Auto-Clean Lever		7034-158	Y
34.2	Micro Switch No		SRV7000-327	Y
34.3	Gear Motor 12V		SRV7000-502	Y
34.4	Grommet, Motor, Auto-Clean		7034-188	Y
34.5	Cam, Switch, Auto-Clean		SRV7034-187	Y
34.6	Bearing		7000-333	Y
34.7	Gasket, Auto-Clean		SRV7034-165	Y

Additional service part numbers appear on following page.

#35 Firepot Riser Assembly



IMPORTANT: THIS IS DATED INFORMATION. Parts must be ordered from a dealer or distributor. **Hearth and Home Technologies does not sell directly to consumers.** Provide model number and serial number when requesting service parts from your dealer or distributor.



Stocked at Depot

ITEM	DESCRIPTION	COMMENTS	PART NUMBER	
35	Firepot Riser Assembly		SRV7034-002	
35.1	Thermocouple, K		SRV7034-247	Y
35.2	Half Clip - Thermocouple Holder		7000-321	
35.3	Thermocouple Protection Tube - Thermocouple Cover		SRV7034-186 SRV7034-186/10	Y
35.4	Firepot Assembly, Upper		SRV7034-072B	Y
35.5	Gasket, Firepot		SRV7034-190	Y
35.6	Auto-Clean Link Arm		7034-176	Y
35.7	Plow Weldment, Auto-Clean		SRV7034-024	Y
35.8	Rail, Auto-Clean		SRV7034-152	Y
35.9	Spring	Pkg of 4	7000-513/4	Y
35.10	Hitch Pin Clip 3/32	Pkg of 10	7000-374/10	Y
35.11	Firepot Bottom		SRV7034-153	Y
	Auto-Clean Bottom Assembly (Includes Auto Clean Plow Weldment, Link Arm, Firepot Bottom & Hitch Pin Clip)		7034-021	Y
	Firepot Riser Clamp Assembly (Includes Clamp and Hex Nut)		7034-012	

Additional service part numbers appear on following page.

IMPORTANT: THIS IS DATED INFORMATION. Parts must be ordered from a dealer or distributor. **Hearth and Home Technologies does not sell directly to consumers.** Provide model number and serial number when requesting service parts from your dealer or distributor.



**Stocked
at Depot**

ITEM	DESCRIPTION	COMMENTS	PART NUMBER	
	Bracket, Control Board		7034-212	
	Bracket, Door Switch		7034-215	
	Bracket, Hopper Switch		7034-216	
	Bracket, Snap Disc		7034-150	
	Bracket, Vacuum Switch		7034-211	
	Component Pack Assembly	Matte Black	SRV7034-034	
		Porcelain Black	SRV7034-079	
		Porcelain Dark Blue	SRV7034-078	
		Porcelain Frost	SRV7034-080	
		Sienna Bronze	SRV7034-035	
		Mahogany	SRV7034-037	
	Cleanout Tool		414-1140	Y
	Leveling Assembly		7000-000	
	Paint Touch-Up	Pre #HF1895001	812-0910	
		Post #HF1895001	3-42-19905	
		Mahogany	1-00-0014	
		Sienna Bronze	TOUCHUP-CSB	
		No longer available	TOUCHUP-CWL	
	Power Cord		812-1180	Y
	Thermostat Wire 3 Cond		SRV7000-409	Y
	Wall Control		SRV7000-549	Y
	Face Plate - Located Behind ARS Door		7034-124	
	Fuel Level Sensor		SRV7000-523	Y
	Gasket, Exhaust	3.13" X 4.75"	SRV7034-109	
	Heating Element Assembly 18" (Loop Igniter), 380 Watt		SRV7000-462	Y
		Pkg of 10	SRV7000-462/10	Y
	Heating Element Assembly 18", 120 VAC, 300 Watt, (Wood Pellet Fuel Only)		SRV7000-647	Y
		Pkg of 10	SRV7000-647/10	Y
	Washer, 1/4 Sae	Pkg of 24	28758/24	Y
	Wing Thumb Screw 8-32 X 1/2	Pkg of 24	7000-223/24	Y
	Hinge Pin		844-5750	Y
	Hinge Pin (Rivet) Button Head	Pkg of 25	25272/25	Y
	Thermocouple K, Ring Mount - Drop Tube		SRV7000-381	Y
	Paint, 12 oz Can	Sienna Bronze/Espresso	PAINT1-CSB/CES	
		Willow/Tuscan Olive	PAINT1-CWL/CTO	
	Vacuum Hose - Field Cut to Size	3 Ft	SRV7000-373	Y

Additional service part numbers appear on following page.

Beginning Manufacturing Date: Sept. 2006
Ending Manufacturing Date: May 2019

IMPORTANT: THIS IS DATED INFORMATION. Parts must be ordered from a dealer or distributor. **Hearth and Home Technologies does not sell directly to consumers.** Provide model number and serial number when requesting service parts from your dealer or distributor.



**Stocked
at Depot**

ITEM	DESCRIPTION	COMMENTS	PART NUMBER	
	Wire Clip	Pkg of 10	7000-400/10	Y
	Wire Harness Aug/Ac/Vac		SRV7034-191	Y
	Wire Harness Battery Backup		SRV7034-202	Y
	Wire Harness Convection Blower		SRV7034-219	Y
	Wire Harness Door/Hopper		SRV7034-192	Y
	Wire Harness Ignitor		SRV7034-273	Y
	Wire Harness Power Out Ac	AC Current	SRV7034-220	Y
	Wire Harness Power Out Dc	DC Current	SRV7034-221	Y
	Wire Harness Power Supply Receptacle		SRV7034-233	Y
	Wire Harness Snap Disc		SRV7034-193	Y
	Wire Harness Thermostat		SRV7034-200	Y
ACCESSORIES				
	12 Volt Power Cord		12VCORD-AE	Y
	Collar, Offset, Top Vent		812-3570	
	Damper, 3 Inch - Tall Vertical Installs Only		PEL-DAMP3	Y
	Damper, 4 Inch - Tall Vertical Installs Only		PEL-DAMP4	
	Firescreen	No Longer Available	SCR-7005	
	Log Set, (Sold as Set only)	2 Pc	LOGS-60-AE-B	Y
	Outside Air Kit		OAK-3	
	Top Vent Adapter		TPVNT-3	
	Vent Adapter, 3-4"		811-0720	
	Vent Adapter, 90, Cleanout		811-0610	
	Vent Adapter, Rear		811-0620	
	Warming Shelves	No Longer Available	844-9780	
		No longer available	WSLG-PBK	
		No longer available	WSLG-PDB	
		No longer available	WSLG-PFT	
		No longer available	WSLG-CSB	
		No longer available	WSLG-CWL	
		No Longer Available	844-9810	
FASTENERS				
	Avk Rivnut Repair Kit - 1/4-20 & 3/8-16 Rivnut Tools		RIVNUT-REPAIR	Y
	Button Head 1/4-20 X .5	Pkg of 20	32328/20	Y
	Nut, Ser Flange Small 1/4-20	Pkg of 24	226-0130/24	Y
	Screw, 1/4-20 X 3/8 Phillips Button Head	Pkg of 24	7000-401/24	Y
	Screw 1/4-20 X 5/8 Phillips Pan Head	Pkg of 24	7000-398/24	Y
	Screw, Pan Head Philips 8-32 X 3/8	Pkg of 40	225-0500/40	Y
	Screw, Sheet Metal #8 X 1/2 S-Grip	Pkg of 40	12460/40	Y
	Wing Thumb Screw 8-32 X 1/2	Pkg of 24	7000-223/24	Y