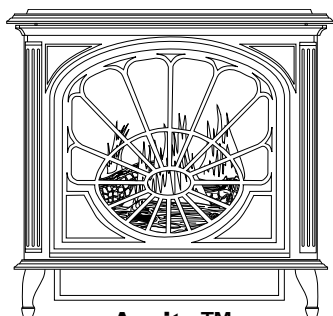


DESA™

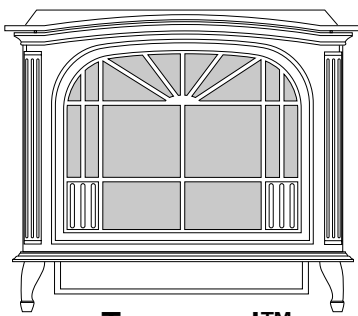
INTERNATIONAL

(VENT-FREE) NATURAL GAS STOVE HEATER OWNER'S OPERATION AND INSTALLATION MANUAL

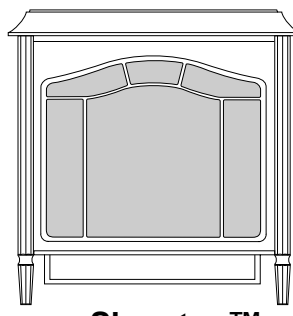
Model (F)SVYD18N Series Variable Manual Control or Model (F)SVYD18NR Series Remote-Ready Control Gas Log Heater (Burner System For Cast Iron Stoves)



Amity™



Townsend™



Sheraton™



Patent Pending

WARNING: If the information in this manual is not followed exactly, a fire or explosion may result causing property damage, personal injury, or loss of life.

- Do not store or use gasoline or other flammable vapors and liquids in the vicinity of this or any other appliance.
- **WHAT TO DO IF YOU SMELL GAS**
 - Do not try to light any appliance.
 - Do not touch any electrical switch; do not use any phone in your building.
 - Immediately call your gas supplier from a neighbor's phone. Follow the gas supplier's instructions.
 - If you cannot reach your gas supplier, call the fire department.
- Installation and service must be performed by a qualified installer, service agency, or the gas supplier.

WARNING: The SVYD18N(R) series vent-free gas log heater is only approved for use in the SCIVF(*) series, PSCIVF(*) series, or NSCIVF(*) series cast iron stove models. The FSVYD18N(R) series vent-free gas log heater is only approved for use in the FC(*) and PFC(*) series cast iron stove models.

(* Indicates Color Suffix Designation)

WARNING: Improper installation, adjustment, alteration, service, or maintenance can cause injury or property damage. Refer to this manual for correct installation and operational procedures. For assistance or additional information consult a qualified installer, service agency, or the gas supplier.

WARNING: This is an unvented gas-fired heater. It uses air (oxygen) from the room in which it is installed. Provisions for adequate combustion and ventilation air must be provided. Refer to *Air for Combustion and Ventilation* section on page 4 of this manual.

This appliance may be installed in an aftermarket*, permanently located, manufactured (mobile) home, where not prohibited by local codes.

This appliance is only for use with the type of gas indicated on the rating plate. This appliance is not convertible for use with other gases.

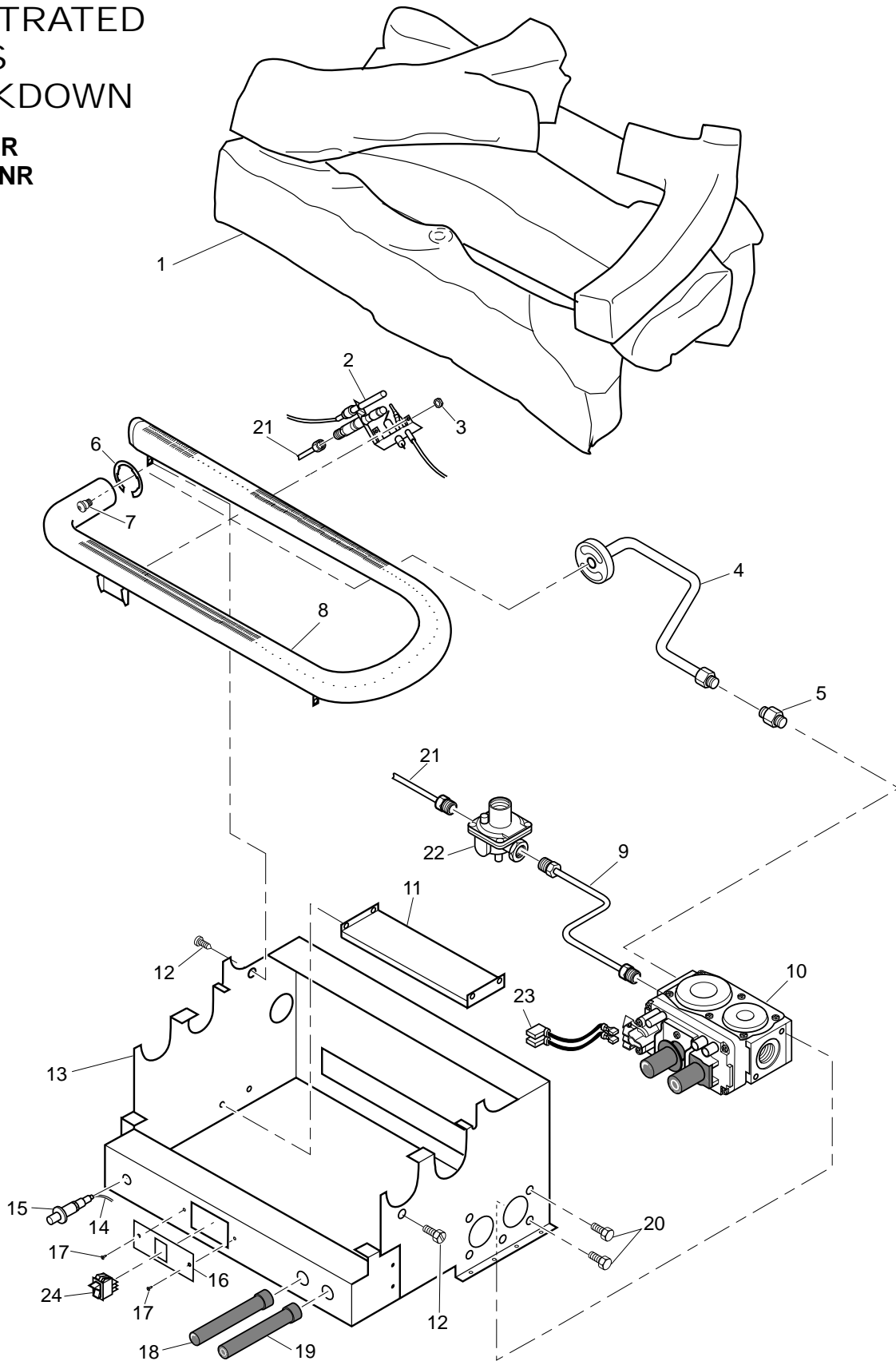
* Aftermarket: Completion of sale, not for purpose of resale, from the manufacturer

Save this manual for future reference.

DESA INTERNATIONAL VENT-FREE NATURAL GAS STOVE HEATER

ILLUSTRATED PARTS BREAKDOWN

SVYD18NR
FSVYD18NR



OWNER'S MANUAL

PARTS LIST

This list contains replaceable parts used in your heater. When ordering parts, follow the instructions listed under *Replacement Parts* on page 32 of this manual.

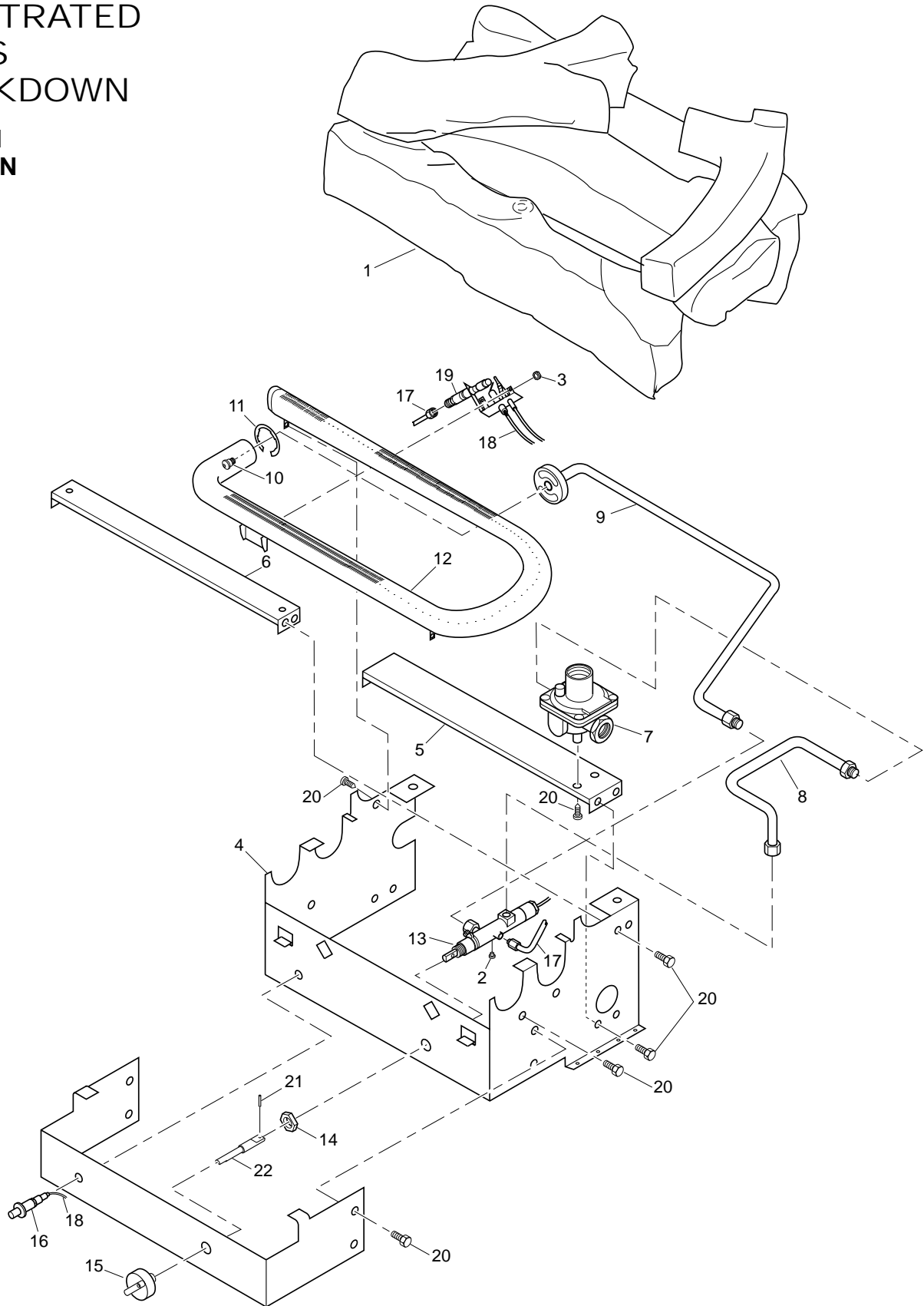
SVYD18NR
FSVYD18NR

KEY NO.	PART NUMBER	DESCRIPTION	QTY.
1	104026-01	Stove Log	1
2	103779-01	ODS Pilot (NG)	1
3	098249-01	ODS Nut	2
4	104423-01	Burner Outlet Tube	1
5	098264-02	Male Connector	1
6	102843-01	Burner Clip	1
7	099056-26	Burner Orifice Injector	1
8	102980-01	Burner	1
9	099387-15	Pilot Tube (Valve to regulator)	1
10	103781-01	Gas Control Valve	1
11	103345-02	Lower Bracket	1
12	M11084-38	Screw, #8 x .38	7
13	104383-02CK	Painted Base Assy	1
14	098271-10	Ignitor Cable	1
15	102445-01	Piezo Ignitor	1
16	103587-02CK	Plate, Switch	1
17	098304-01	Screw	2
18	103784-04	Flame Adjustment Knob	1
19	103784-03	Off-Pilot-On Knob	1
20	M12461-26	Screw, Hex Slit Wsr 10-32 x .38	4
21	100609-01	Pilot Tube (Regulator to Pilot)	1
22	099918-02	Pilot Regulator	1
23	103284-02	Wiring Harness	1
24	099998-01	Switch	1
PARTS AVAILABLE — NOT SHOWN			
	100563-01	Warning Plate	1
	103877-01	Lighting Instructions Plate	1
	100565-01	Warning Plate Fastener	1
	101137-04	Hardware Kit	1

DESA INTERNATIONAL VENT-FREE NATURAL GAS STOVE HEATER

ILLUSTRATED PARTS BREAKDOWN

SVYD18N
FSVYD18N



OWNER'S MANUAL

PARTS LIST

This list contains replaceable parts used in your heater. When ordering parts, follow the instructions listed under *Replacement Parts* on page 32 of this manual.

SVYD18N
FSVYD18N

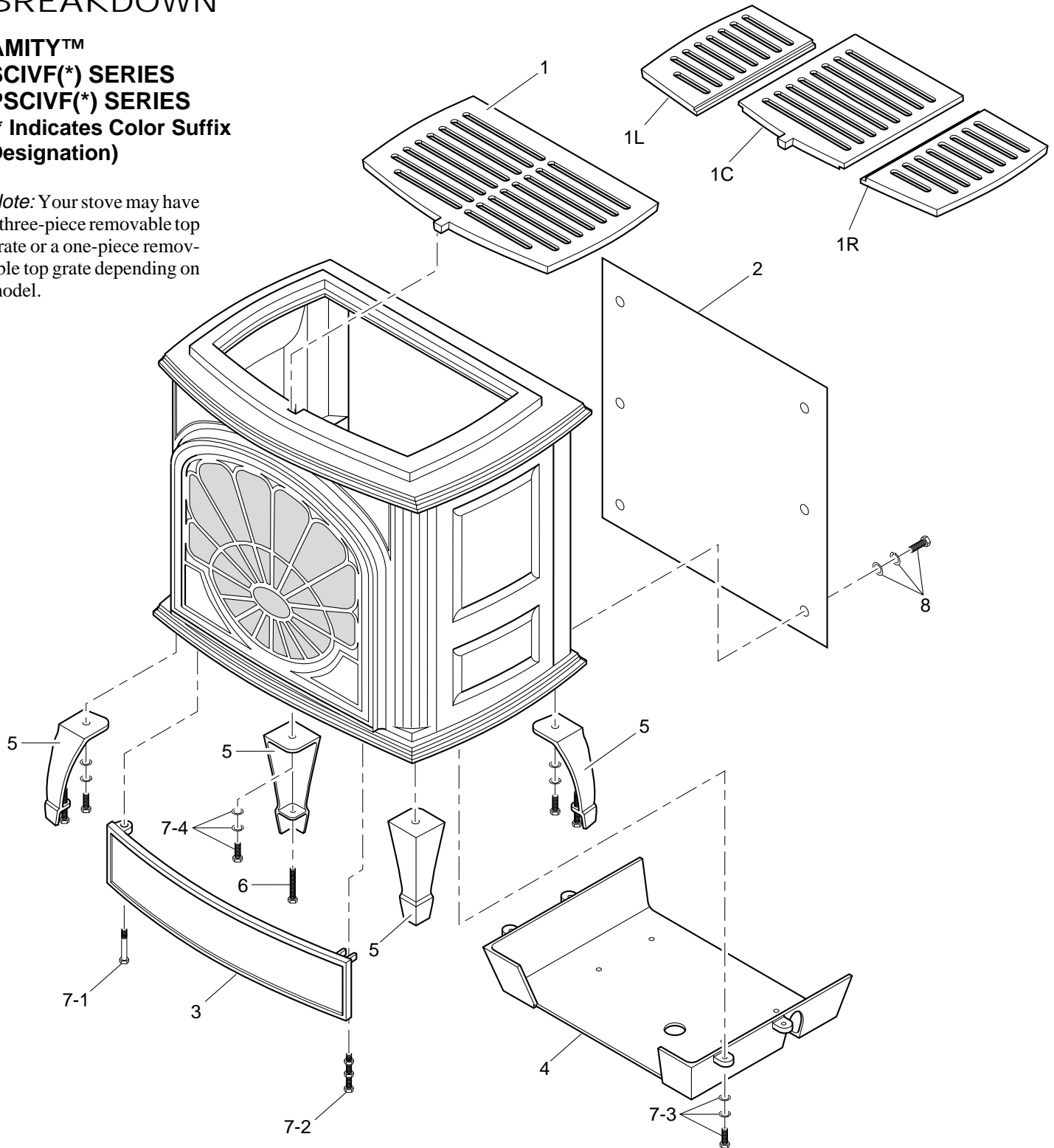
KEY NO.	PART NO.	DESCRIPTION	QTY.
1	104026-01	Stove Log	1
2	098276-01	Hex Head Plug, 1/8" NPT	1
3	098249-01	Nut, M5	2
4	102776-05CK	Painted Base Assembly	1
5	102844-02	Lower Bracket	1
6	102966-02	Upper Bracket	1
7	098867-14	Gas Regulator	1
8	102798-01	Inlet Tube	1
9	102779-03	Outlet Burner Tube	1
10	099056-26	Burner Orifice Injector	1
11	102843-01	Burner Clip	1
12	102980-01	Burner	1
13	102568-07	Control Valve	1
14	098508-01	Valve Retainer Nut	1
15	099393-03	Control Knob	1
16	102445-01	Piezo Ignitor	1
17	099387-08	Pilot Tube	1
18	098271-10	Ignitor Cable	1
19	104285-01	ODS Pilot (NG)	1
20	M11084-38	Screw, Hex Head (#8-18 x .38)	15
21	098325-01	Roll Pin	1
22	098462-04	Control Rod Assembly	1
23	104055-01CK	Extension Base	1
PARTS AVAILABLE — NOT SHOWN			
	100563-01	Warning Plate	1
	101055-02	Lighting Instructions Plate	1
	100565-01	Warning Plate Fastener	1
	101449-06	Control Position Decal	1
	101137-04	Hardware Kit	1

DESA INTERNATIONAL VENT-FREE NATURAL GAS STOVE HEATER

ILLUSTRATED PARTS BREAKDOWN

**AMITY™
SCIVF(*) SERIES
PSCIVF(*) SERIES**
(* Indicates Color Suffix
Designation)

Note: Your stove may have
a three-piece removable top
grate or a one-piece remov-
able top grate depending on
model.



OWNER'S MANUAL

PARTS LIST

AMITY™ SCIVF(*) SERIES PSCIVF(*) SERIES (* Indicates Color Suffix Designation)

Note: Your stove may have a three-piece removable top grate or a one-piece removable top grate depending on model.

This list contains replaceable parts used in your stove. When ordering parts, follow the instructions listed under *Replacement Parts* on page 32 of this manual.

KEY NO.	PART NO.	DESCRIPTION	QTY.
1	104171-01	One-Piece Top Grate with Screen (Black Only)	1
1L	104171-11	Top Grate with Screen - Left (Black Only)	1
1C	104171-08	Top Grate with Screen - Center (Black Only)	1
1R	104171-12	Top Grate with Screen - Right (Black Only)	1
2	104172-01	Stove Back Panel (Black Only)	1
3	104173-01	Bottom Door (Charcoal)	1
	104173-02	Bottom Door (Azure Blue)	1
	104173-03	Bottom Door (Hunter Green)	1
	104173-04	Bottom Door (Burgundy Red)	1
	104173-05	Bottom Door (Forest Green)	1
	104173-06	Bottom Door (Metallic Charcoal)	1
	104173-07	Bottom Door (Porcelain Enamel Red)	1
	104173-08	Bottom Door (Porcelain Enamel Teal Green)	1
	104173-09	Bottom Door (Porcelain Enamel Sand)	1
4	104174-01	Stove Dropped Bottom	1
5	104175-01	One Leg (Charcoal) (4 Total Per Stove)	1
	104175-02	One Leg (Azure Blue) (4 Total Per Stove)	1
	104175-03	One Leg (Hunter Green) (4 Total Per Stove)	1
	104175-04	One Leg (Burgundy Red) (4 Total Per Stove)	1
	104175-05	One Leg (Forest Green) (4 Total Per Stove)	1
	104175-06	One Leg (Metallic Charcoal) (4 Total Per Stove)	1
	104175-07	One Leg (Porcelain Enamel Red) (4 Total Per Stove)	1
	104175-08	One Leg (Porcelain Enamel Teal Green) (4 Total Per Stove)	1
	104175-09	One Leg (Porcelain Enamel Sand) (4 Total Per Stove)	1
6	104176-01	Leg Leveler bolt M8 x 1.25 - 55mm Long (4 Total Per Stove)	1
7	104177-01	Hardware Kit	1
7-1	*	Door Hinge Step Bolt With Shoulder (1 Per Unit)	1
7-2	*	Door Catch Bolt M8 x 1.25 - 55mm Long With Two M8 Hex Nuts (1 Per Unit)	1
7-3	*	Bottom Floor Bolts M6 x 1 - 25mm Long With Flat Washer And Lock Washer (4 Per Unit)	1
7-4	*	Leg Bolts M6 x 1.25 - 20mm Long With Flat Washer And Lock Washer (4 Per Unit)	1
8	104178-01	Back Panel Bolts M6 x 1 - 20mm Long With Flat Washer And Lock Washer (6 Per Unit)	1
PARTS AVAILABLE — NOT SHOWN			
	104108-01	Touch-up Spray Paint 12 oz Can (Charcoal)	1
	104108-02	Touch-up Spray Paint 12 oz Can (Azure Blue)	1
	104108-04	Touch-up Spray Paint 12 oz Can (Burgundy Red)	1
	104108-05	Touch-up Spray Paint 12 oz Can (Hunter Green)	1
	104108-06	Touch-up Spray Paint 12 oz Can (Metallic Charcoal)	1
	104807-01	Touch-up Paint Bottle with Brush (Porcelain Enamel Red)	1
	104807-02	Touch-up Paint Bottle with Brush (Porcelain Enamel Teal Green)	1
	104807-03	Touch-up Paint Bottle with Brush (Porcelain Enamel Sand)	1

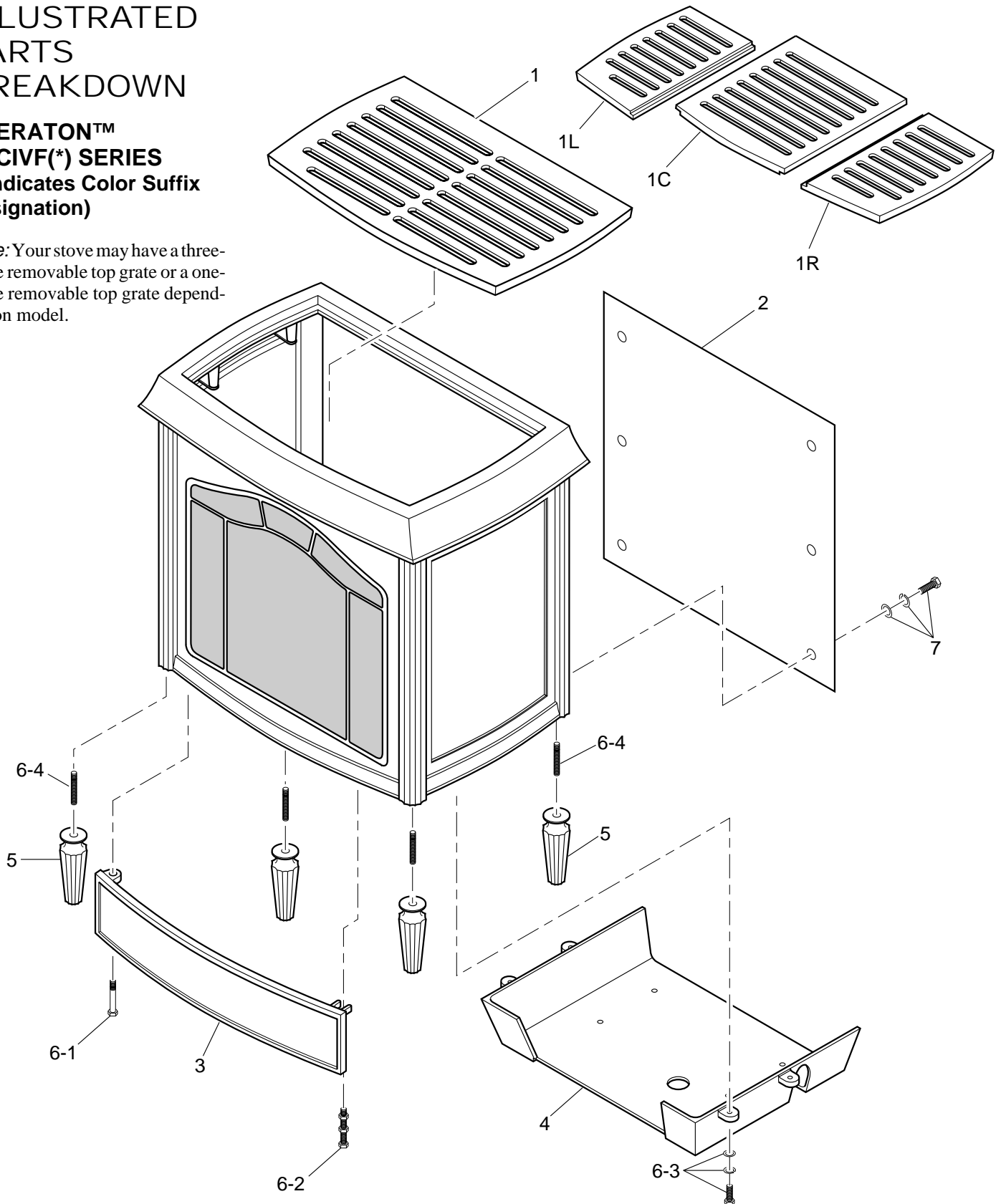
* Included In Hardware Kit

DESA INTERNATIONAL VENT-FREE NATURAL GAS STOVE HEATER

ILLUSTRATED PARTS BREAKDOWN

SHERATON™ NSCIVF(*) SERIES (* Indicates Color Suffix Designation)

Note: Your stove may have a three-piece removable top grate or a one-piece removable top grate depending on model.



OWNER'S MANUAL

PARTS LIST

This list contains replaceable parts used in your stove. When ordering parts, follow the instructions listed under *Replacement Parts* on page 32 of this manual.

SHERATON™ NSCIVF(*) SERIES

(* Indicates Color Suffix Designation)

Note: Your stove may have a three-piece removable top grate or a one-piece removable top grate depending on model.

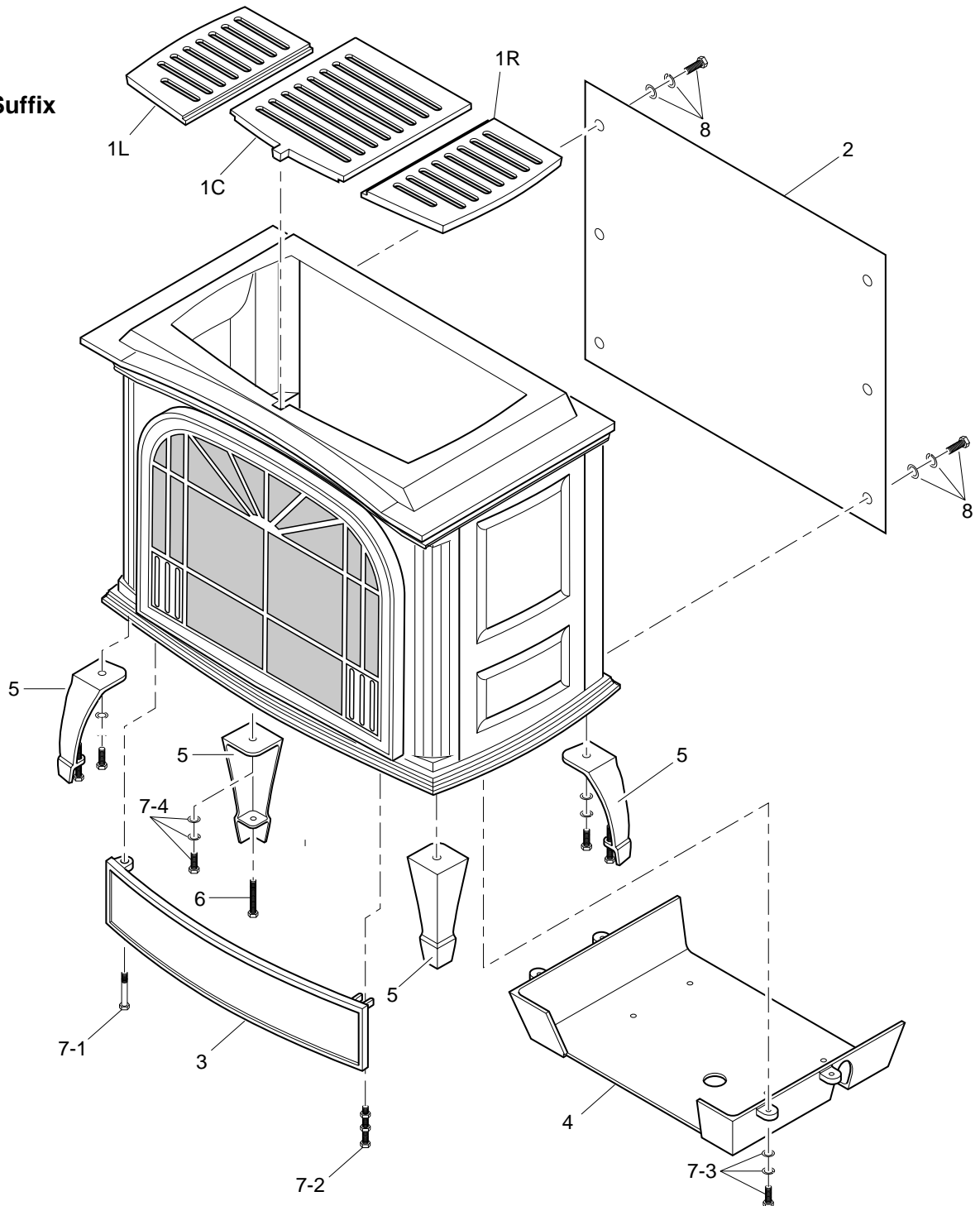
KEY NO.	PART NO.	DESCRIPTION	QTY.
1	104808-01	One-Piece Top Grate with Screen (Black Only)	1
1L	104171-09	Top Grate with Screen - Left (Black Only)	1
1C	104171-08	Top Grate with Screen - Center (Black Only)	1
1R	104171-10	Top Grate with Screen - Right (Black Only)	1
2	104809-01	Stove Back Panel (Black Only)	1
3	104810-01	Bottom Door (Metallic Charcoal)	1
	104810-02	Bottom Door (Topaz)	1
4	104174-02	Stove Dropped Bottom	1
5	104811-01	One Leg (Charcoal) (4 Total Per Stove)	1
	104811-02	One Leg (Topaz) (4 Total Per Stove)	1
6	104812-01	Hardware Kit	1
6-1	*	Door Hinge Step Bolt With Shoulder (1 Per Unit)	1
6-2	*	Door Catch Bolt M8 x 1.25 - 55mm Long With Two M8 Hex Nuts (1 Per Unit)	1
6-3	*	Bottom Floor Bolts M6 x 1 - 25mm Long With Flat Washer And Lock Washer (4 Per Unit)	1
6-4	*	Leg Attachment Stud, Headless, Slotted, M10 x 1.5 - 40mm Long	4
7	104178-01	Back Panel Bolts M6 x 1 - 20mm Long With Flat Washer And Lock Washer (6 Per Unit)	1
PARTS AVAILABLE — NOT SHOWN			
	104108-06	Touch-up Spray Paint 12 oz Can (Metallic Charcoal)	1
	104108-07	Touch-up Spray Paint 12 oz Can (Topaz)	1

* Included In Hardware Kit

DESA INTERNATIONAL VENT-FREE NATURAL GAS STOVE HEATER

ILLUSTRATED PARTS BREAKDOWN

**TOWNSEND™
FC(*) AND PFC(*)
SERIES**
(* Indicates Color Suffix
Designation)



OWNER'S MANUAL

PARTS LIST

This list contains replaceable parts used in your stove. When ordering parts, follow the instructions listed under *Replacement Parts* on page 32 of this manual.

TOWNSEND™

FC(*) AND PFC(*) SERIES

(*Indicates Color Suffix Designation)

KEY NO.	PART NO.	DESCRIPTION	QTY.
1C	104171-02	Top Grate with Screen (Center) (Black Only)	1
1L	104171-03	Top Grate with Screen (Left) (Black Only)	1
1R	104171-04	Top Grate with Screen (Right) (Black Only)	1
2	104172-02	Stove Back Panel (Black Only)	1
3	104173-10	Bottom Door (Metallic Black)	1
	104173-14	Bottom Door (Porcelain Enamel Green)	1
	104173-15	Bottom Door (Porcelain Enamel Red)	1
4	104174-04	Stove Dropped Bottom	1
5	104175-10	One Leg (Metallic Black) (4 Total Per Stove)	1
	104175-14	One Leg (Porcelain Enamel Green) (4 Total Per Stove)	1
	104175-15	One Leg (Porcelain Enamel Red) (4 Total Per Stove)	1
6	104176-01	Leg Leveler bolt M8 x 1.25 - 55mm Long (4 Total Per Stove)	1
7	104177-02	Hardware Kit	1
7-1	*	Door Hinge Step Bolt With Shoulder (1 Per Unit)	1
7-2	*	Door Catch Bolt M8 x 1.25 - 55mm Long With Two M8 Hex Nuts (1 Per Unit)	1
7-3	*	Bottom Floor Bolts M6 x 1 - 25mm Long With Flat Washer And Lock Washer (4 Per Unit)	1
7-4	*	Leg Bolts M6 x 1.25 - 20mm Long With Flat Washer And Lock Washer (4 Per Unit)	1
8	104178-01	Back Panel Bolts M6 x 1 - 20mm Long With Flat Washer And Lock Washer (6 Installed Per Unit)	1
PARTS AVAILABLE — NOT SHOWN			
	104108-06	Touch-up Spray Paint 12 oz Can (Metallic Black)	1
	104807-07	Touch-up Paint Bottle with Brush (Porcelain Enamel Green)	1
	104807-08	Touch-up Paint Bottle with Brush (Porcelain Enamel Red)	1
	106057-01	Back Panel Extension, Left (Included)	1
	106057-02	Back Panel Extension, Right (Included)	1
	104178-01	Back Panel Bolts M6 x 1 - 20mm Long With Flat Washer And Lock Washer (6 Included Per Unit)	1

* Included In Hardware Kit