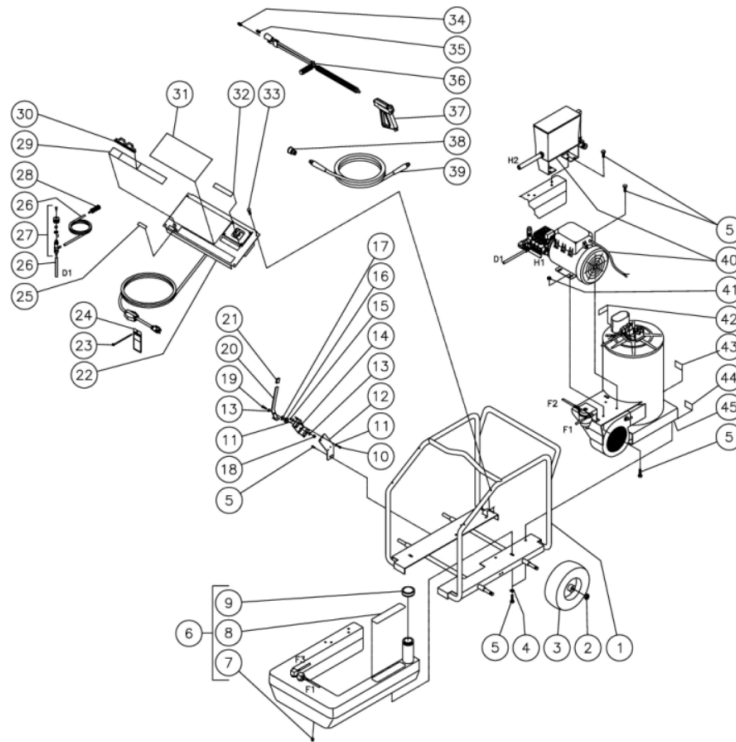




HSE-1002-SM10 / HSE-1002-SM10 (sn:0-99999999)

## FRAME ASSEMBLY



| Id | Item #    | Description    | Quantity | Rev | Comments |
|----|-----------|----------------|----------|-----|----------|
| 1  | 5-0128A01 | FRAME ASSEMBLY | 1        |     |          |
| 2  | 30-0117   | HEX JAM NUT    | 4        |     |          |
| 3  | 14-0017   | WHEEL          | 4        |     |          |
| 4  | 28-0022   | FLATWASHER     | 8        |     |          |

| Id | Item #     | Description                                           | Quantity | Rev | Comments |
|----|------------|-------------------------------------------------------|----------|-----|----------|
| 5  | 27-9524    | BOLT                                                  | 18       |     |          |
| 6  | 850-0214   | FUEL TANK ASSEMBLY                                    | 1        |     |          |
| 7  | 23-0296    | PLUG                                                  | 1        |     |          |
| 8  | N/A Sep.   | DECAL-DO NOT USE GASOLINE (E/S) (SEE 34-9012)         | 1        |     |          |
| 9  | 12-0033    | VENTED FUEL CAP                                       | 1        |     |          |
| 10 | 27-0015    | SCREW                                                 | 3        |     |          |
| 11 | 28-0002    | WASHER                                                | 6        |     |          |
| 12 | 20-0580A01 | BRAKE PLATE                                           | 1        |     |          |
| 13 | 28-0003    | WASHER                                                | 2        |     |          |
| 14 | 20-0546A01 | BRACKET                                               | 1        |     |          |
| 15 | 30-0155    | LOCKNUT                                               | 3        |     |          |
| 16 | 33-0366    | GROMMET                                               | 1        |     |          |
| 17 | 28-0057    | WASHER                                                | 1        |     |          |
| 18 | 30-0157    | LOCKNUT                                               | 1        |     |          |
| 19 | 27-0068    | SCREW                                                 | 1        |     |          |
| 20 | 20-0552A01 | BRAKE HANDLE ASSEMBLY                                 | 1        |     |          |
| 21 | 7-0170     | HANDLE GRIP                                           | 1        |     |          |
| 22 | N/A Sep.   | CONTROL PANEL (SEE EXPLODED DRAWING)                  | 1        |     |          |
| 23 | 33-0022    | CABLE TIE                                             | 1        |     |          |
| 24 | 34-0417    | DECAL- HANG TAG                                       | 1        |     |          |
| 25 | N/A Sep.   | DECAL- DETERGENT VALVE (SEE 34-9012)                  | 1        |     |          |
| 26 | 15-0021    | HOSE *(SIX FEET REQUIRED)                             | 1        |     |          |
| 27 | 22-0226    | DETERGENT VALVE                                       | 1        |     |          |
| 28 | 19-0056    | STRAINER W/ CHECK VALVE                               | 1        |     |          |
| 29 | 34-0502    | DECAL- STRIPE                                         | 1        |     |          |
| 30 | 62-0087    | DECAL- MI-T-M LOGO                                    | 1        |     |          |
| 31 | N/A Sep.   | DECAL- WARNING/CAUTION/OPERATION (E/S) (SEE 34-9012)  | 1        |     |          |
| 32 | 34-0302    | DECAL- DIE CUT 1002                                   | 1        |     |          |
| 33 | 27-9527    | BOLT                                                  | 4        |     |          |
| 34 | 18-0110    | NOZZLE- 4060                                          | 1        |     |          |
| 35 | 18-0054    | NOZZLE- 1504                                          | 1        |     |          |
| 36 | 16-0416    | DUAL LANCE                                            | 1        |     |          |
| 37 | 16-0001    | GUN/ LANCE ASSEMBLY                                   | 1        |     |          |
| 38 | 17-0035    | SCREW CONNECT                                         | 1        |     |          |
| 39 | 15-0146    | HOSE ASSSEMBLY                                        | 1        |     |          |
| 40 | N/A Sep.   | MOTOR/PUMP/FLOAT TANK ASSEMBLY (SEE EXPLODED DRAWING) | 1        |     |          |
| 41 | 30-3023    | HEX NUT                                               | 3        |     |          |
| 42 | N/A Sep.   | DECAL- WARNING: HOT SURFACES (E/S) (SEE 34-9012)      | 1        |     |          |
| 43 | N/A Sep.   | DECAL- RISK OF EXPLOSION (E/S) (SEE 34-9012)          | 1        |     |          |

| <b>Id</b> | <b>Item #</b> | <b>Description</b>                             | <b>Quantity</b> | <b>Rev</b> | <b>Comments</b> |
|-----------|---------------|------------------------------------------------|-----------------|------------|-----------------|
| 44        | N/A           | DECAL- DATA PLATE                              | 1               |            |                 |
| 45        | N/A Sep.      | HEAT EXCHANGER ASSEMBLY (SEE EXPLODED DRAWING) | 1               |            |                 |
|           | 34-9012       | SAFETY DECAL KIT (INCLUDES 8, 25, 31, 42-43)   |                 |            |                 |
|           |               | *MUST ORDER IN ONE FOOT LENGTHS                |                 |            |                 |



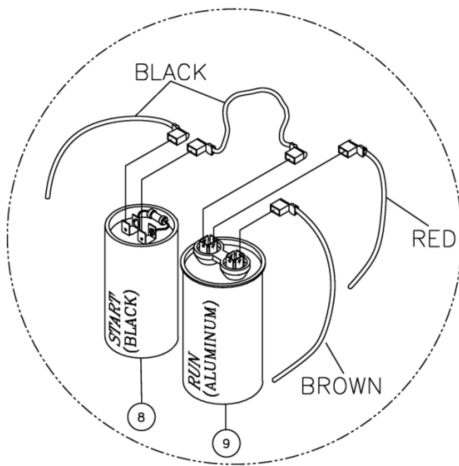
| Id | Item #   | Description               | Quantity | Rev | Comments |
|----|----------|---------------------------|----------|-----|----------|
| 5  | 23-0095  | GARDEN HOSE SWIVEL        | 1        |     |          |
| 6  | 19-0001  | GASKET                    | 1        |     |          |
| 7  | 27-9524  | BOLT                      | 2        |     |          |
| 8  | 23-0005  | HOSE BARB                 | 1        |     |          |
| 9  | 15-0007  | HOSE *(TWO FEET REQUIRED) | 1        |     |          |
| 10 | 23-0140  | HOSE BARB                 | 1        |     |          |
| 11 | 23-0307  | ELBOW                     | 2        |     |          |
| 12 | 22-0129  | FLOAT VALVE ASSEMBLY      | 1        |     |          |
| 13 | 62-0103  | FLOAT TANK LID            | 1        |     |          |
| 14 | 12-0055  | FLOAT TANK ASSEMBLY       | 1        |     |          |
| 15 | 23-0138  | HEX NUT                   | 1        |     |          |
| 16 | 25-0427  | O-RING                    | 1        |     |          |
| 17 | 23-0318  | HOSE BARB                 | 1        |     |          |
| 18 | 850-0213 | MOTOR ASSEMBLY- 1.5 HP    | 1        |     |          |
| 19 | 43-0072  | KEY                       | 1        |     |          |
| 20 | 23-0014  | ELBOW                     | 1        |     |          |
| 21 | 22-0171  | PRESSURE SWITCH           | 1        |     |          |
| 22 | 3-0071   | PUMP ASSEMBLY             | 1        |     |          |
| 23 | 29-0155  | WASHER                    | 4        |     |          |
| 24 | 27-0117  | BOLT                      | 4        |     |          |
| 25 | 15-0008  | FUEL HOSE                 | 1        |     |          |
| 26 | 42-0004  | CLAMP                     | 2        |     |          |
| 27 | 23-0054  | ELBOW                     | 1        |     |          |
| 28 | 23-0238  | PLUG                      | 1        |     |          |
| 29 | 15-0204  | HOSE ASSEMBLY             | 1        |     |          |
| 30 | 23-0034  | ELBOW                     | 1        |     |          |
| 31 | 850-0267 | UNLOADER                  | 1        |     |          |
| 32 | 24-0118  | ELBOW                     | 1        |     |          |
| 33 | 23-0052  | HOSE BARB                 | 1        |     |          |
| 34 | 22-0114  | HEAT DUMP VALVE           | 1        |     |          |
| 35 | 23-0382  | STREET TEE                | 1        |     |          |
| 36 | 23-0139  | BARB                      | 1        |     |          |
| 37 | 15-0021  | HOSE *(ONE FOOT REQUIRED) | 1        |     |          |
| 38 | 23-0117  | TEE                       | 1        |     |          |
| 39 | 23-0105  | HOSE BARB                 | 1        |     |          |
| 40 | 42-0011  | WORM CLAMP                | 1        |     |          |

\*MUST ORDER IN ONE FOOT LENGTHS

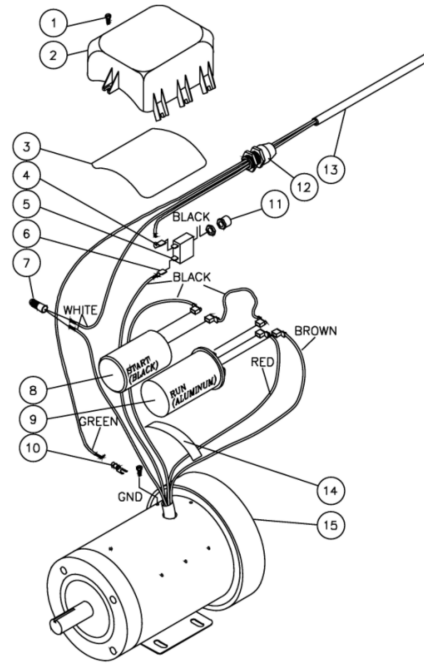


HSE-1002-SM10 / HSE-1002-SM10 (sn:0-99999999)

## MOTOR



CAPACITOR TERMINAL ASSEMBLY



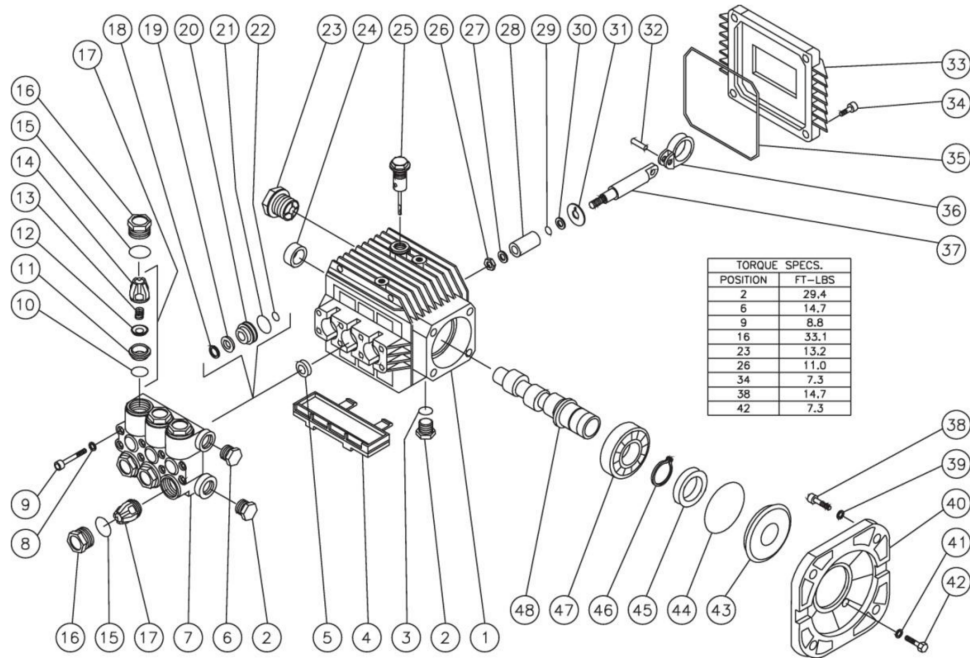
| Id | Item #  | Description                 | Quantity | Rev | Comments |
|----|---------|-----------------------------|----------|-----|----------|
| 1  | 27-8389 | SCREW                       | 8        |     |          |
| 2  | 52-0041 | MOTOR BOX                   | 1        |     |          |
| 3  | 25-0338 | O-RING                      | 1        |     |          |
| 4  | 32-0451 | TERMINAL                    | 2        |     |          |
| 5  | 32-0438 | CIRCUIT BREAKER 20 AMP      | 1        |     |          |
| 6  | 32-0221 | TERMINAL SPADE              | 1        |     |          |
| 7  | 32-0359 | CRIMP SPLICE                | 1        |     |          |
| 8  | 32-0411 | CAPACITOR-START 1.5 W/MOTOR | 1        |     |          |
| 9  | 32-0413 | CAPACITOR-RUN 1.5 W/MOTOR   | 1        |     |          |
| 10 | 32-0034 | TERMINAL-FORK               | 1        |     |          |
| 11 | 32-0441 | RUBBER BOOT                 | 1        |     |          |
| 12 | 32-0437 | STRAIN RELIEF               | 1        |     |          |
| 13 | 32-0440 | CORD *(TWO FEET REQUIRED)   | 1        |     |          |
| 14 | 52-0042 | MOTOR BOX STRAP             | 1        |     |          |

| <b>Id</b> | <b>Item #</b> | <b>Description</b>                                                | <b>Quantity</b> | <b>Rev</b> | <b>Comments</b> |
|-----------|---------------|-------------------------------------------------------------------|-----------------|------------|-----------------|
| 15        | N/A Sep.      | MOTOR (SEE 850-0213)                                              | 1               |            |                 |
|           | 850-0213      | MOTOR ASSEMBLY COMPLETE-1.5 HP<br>*MUST ORDER IN ONE FOOT LENGTHS |                 |            |                 |



HSE-1002-SM10 / HSE-1002-SM10 (sn:0-99999999)

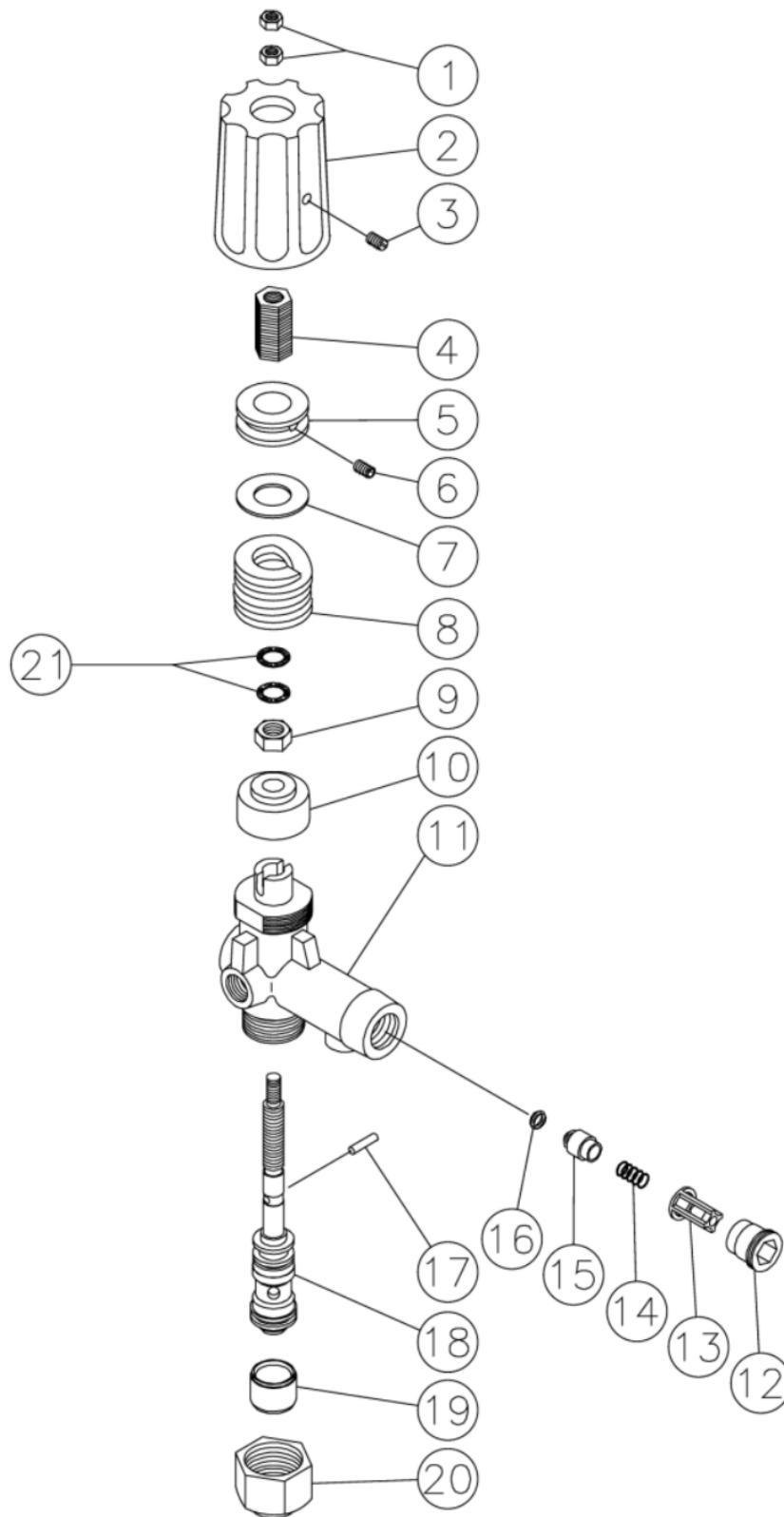
## HIGH PRESSURE PUMP



| Id | Item #   | Description                | Quantity | Rev | Comments |
|----|----------|----------------------------|----------|-----|----------|
| 1  | 46-0221  | CRANKCASE                  | 1        |     |          |
| 2  | 39-0018  | PLUG                       | 2        |     |          |
| 3  | 25-0052  | O-RING                     | 1        |     |          |
| 4  | 46-0229  | DRIP PAN                   | 1        |     |          |
| 5  | 26-0111  | OIL SEAL                   | 3        |     |          |
| 6  | 39-0017  | PLUG                       | 1        |     |          |
| 7  | 46-0163  | MANIFOLD- BRASS            | 1        |     |          |
| 8  | 29-0153  | LOCKWASHER                 | 12       |     |          |
| 9  | 27-8406  | BOLT                       | 8        |     |          |
| 10 | N/A Sep. | O-RING (SEE 70-0009)       | 6        |     |          |
| 11 | N/A Sep. | VALVE SEAT (SEE 70-0009)   | 6        |     |          |
| 12 | N/A Sep. | VALVE PLATE (SEE 70-0009)  | 6        |     |          |
| 13 | N/A Sep. | VALVE SPRING (SEE 70-0009) | 6        |     |          |
| 14 | N/A Sep. | VALVE CAGE (SEE 70-0009)   | 6        |     |          |
| 15 | 25-0012  | O-RING                     | 6        |     |          |

| <b>Id</b> | <b>Item #</b> | <b>Description</b>                            | <b>Quantity</b> | <b>Rev</b> | <b>Comments</b> |
|-----------|---------------|-----------------------------------------------|-----------------|------------|-----------------|
| 16        | 39-0035       | VALVE PLUG                                    | 6               |            |                 |
| 17        | N/A Sep.      | VALVE ASSEMBLY (INCLUDES 10-14) (SEE 70-0009) | 6               |            |                 |
| 18        | N/A Sep.      | HEAD RING (SEE 70-0024)                       | 3               |            |                 |
| 19        | N/A Sep.      | V-PACKING (SEE 70-0024)                       | 3               |            |                 |
| 20        | 46-0158       | V-PACKING RETAINER                            | 3               |            |                 |
| 21        | 25-0141       | O-RING                                        | 3               |            |                 |
| 22        | 25-0128       | O-RING                                        | 3               |            |                 |
| 23        | 46-0114       | OIL LEVEL INDICATOR                           | 1               |            |                 |
| 24        | 48-0019       | BEARING                                       | 1               |            |                 |
| 25        | 46-0143       | OIL DIP STICK                                 | 1               |            |                 |
| 26        | 46-0168       | NUT                                           | 3               |            |                 |
| 27        | 46-0166       | WASHER                                        | 3               |            |                 |
| 28        | 46-0148       | PLUNGER- CERAMIC                              | 3               |            |                 |
| 29        | 25-0045       | O-RING                                        | 3               |            |                 |
| 30        | 25-0143       | BACK-UP RING                                  | 3               |            |                 |
| 31        | 46-0167       | WASHER                                        | 3               |            |                 |
| 32        | 43-0044       | CONNECTING ROD                                | 3               |            |                 |
| 33        | 46-0151       | CRANKCASE COVER                               | 1               |            |                 |
| 34        | 27-8409       | BOLT                                          | 4               |            |                 |
| 35        | 25-0332       | COVER O-RING                                  | 1               |            |                 |
| 36        | 46-0152       | CONNECTING ROD                                | 3               |            |                 |
| 37        | 46-0149       | PISTON GUIDE                                  | 3               |            |                 |
| 38        | 27-0117       | BOLT                                          | 4               |            |                 |
| 39        | 29-0155       | LOCKWASHER                                    | 4               |            |                 |
| 40        | 38-0032       | FLANGE                                        | 1               |            |                 |
| 41        | 29-0153       | LOCKWASHER                                    | 4               |            |                 |
| 42        | 27-8409       | BOLT                                          | 4               |            |                 |
| 43        | 46-0087       | BEARING SPACER                                | 1               |            |                 |
| 44        | 25-0060       | O-RING                                        | 1               |            |                 |
| 45        | 26-0126       | OIL SEAL                                      | 1               |            |                 |
| 46        | 46-0245       | SNAP RING                                     | 1               |            |                 |
| 47        | 48-0024       | BALL BEARING                                  | 1               |            |                 |
| 48        | 46-0277       | CRANKSHAFT                                    | 1               |            |                 |
| KIT       | 70-0009       | VALVE KIT (INC. 3 EACH 10-14, 17)             |                 |            |                 |
| KIT       | 70-0024       | V-PACKING KIT (INC. 3 EACH 18-19, 21-22)      |                 |            |                 |
| KIT       | 70-0023       | V-PACKING ASSEMBLY (INC. 18-22)               |                 |            |                 |

# UNLOADER



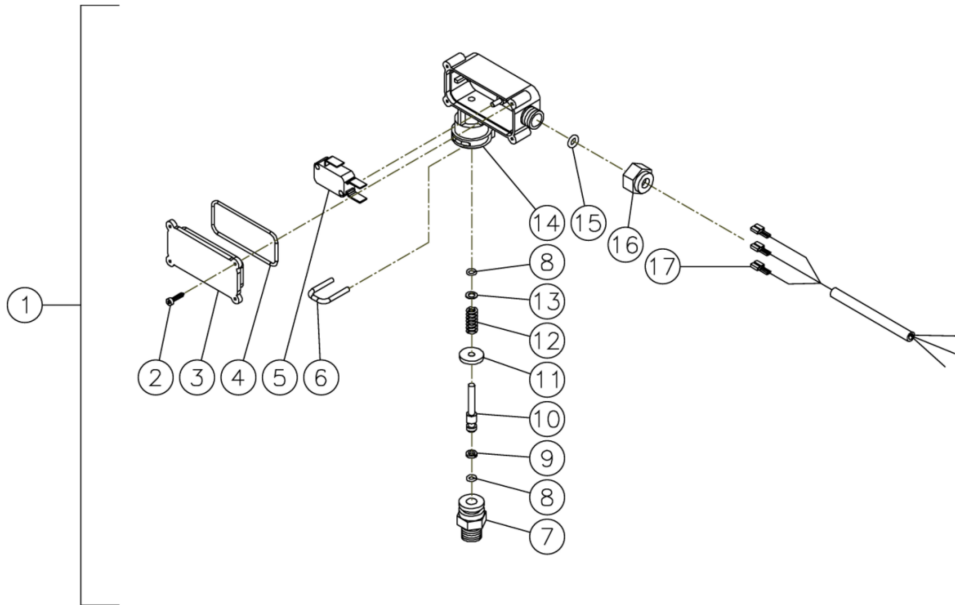
| Id | Item # | Description | Quantity | Rev | Comments |
|----|--------|-------------|----------|-----|----------|
| 1  | 8-0362 | HEX NUT     | 2        |     |          |
| 2  | 7-0098 | COVER       | 1        |     |          |

| Id  | Item #   | Description                         | Quantity | Rev | Comments |
|-----|----------|-------------------------------------|----------|-----|----------|
| 3   | 27-4280  | SET SCREW                           | 1        |     |          |
| 4   | 8-9002   | ADJUSTING INSERT- BRASS             | 1        |     |          |
| 5   | 8-0364   | ADJUSTMENT NUT                      | 1        |     |          |
| 6   | 8-0365   | SET SCREW                           | 1        |     |          |
| 7   | 8-0366   | GLIDE RING                          | 1        |     |          |
| 8   | 49-0104  | SPRING                              | 1        |     |          |
| 9   | 8-0367   | HEX NUT                             | 1        |     |          |
| 10  | 8-0368   | BUSHING                             | 1        |     |          |
| 11  | 8-0369   | UNLOADER BODY                       | 1        |     |          |
| 12  | 8-0269   | RETAINER                            | 1        |     |          |
| 13  | 8-0104   | VALVE HOUSING                       | 1        |     |          |
| 14  | 49-0023  | SPRING                              | 1        |     |          |
| 15  | 8-0105   | VALVE                               | 1        |     |          |
| 16  | 25-0036  | O-RING                              | 1        |     |          |
| 17  | 8-0372   | CYLINDER PIN                        | 1        |     |          |
| 18  | 70-0243  | PISTON REPAIR KIT                   | 1        |     |          |
| 19  | 8-0371   | SPACER                              | 1        |     |          |
| 20  | 8-0157   | STOP NUT                            | 1        |     |          |
| 21  | 29-0154  | WASHER                              | 2        |     |          |
| KIT | 70-0244  | CHECK VALVE REPAIR KIT (INC. 13-16) |          |     |          |
|     | 850-0267 | UNLOADER COMPLETE                   |          |     |          |



HSE-1002-SM10 / HSE-1002-SM10 (sn:0-99999999)

## PRESSURE SWITCH



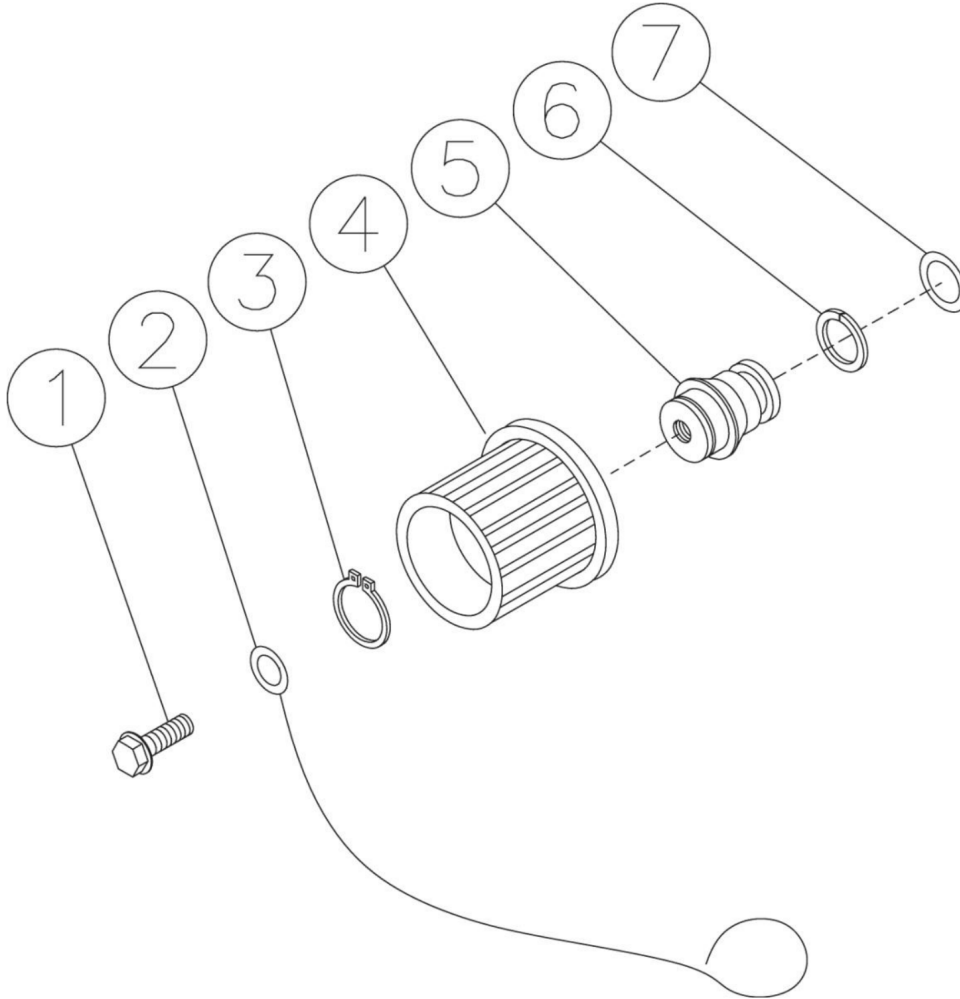
| Id | Item #   | Description                | Quantity | Rev | Comments |
|----|----------|----------------------------|----------|-----|----------|
| 1  | 22-0171  | PRESSURE SWITCH- 15 BAR    | 1        |     |          |
| 1  | 22-0243  | PRESSURE SWITCH- 25 BAR    | 1        |     |          |
| 2  | N/A      | SCREW                      | 4        |     |          |
| 3  | N/A      | COVER                      | 1        |     |          |
| 4  | N/A Sep. | O-RING (SEE 70-0306)       | 1        |     |          |
| 5  | N/A      | MICRO SWITCH               | 1        |     |          |
| 6  | N/A      | RETAINER CLIP              | 1        |     |          |
| 7  | N/A      | BODY                       | 1        |     |          |
| 8  | N/A Sep. | O-RING (SEE 70-0306)       | 2        |     |          |
| 9  | N/A Sep. | BACK-UP RING (SEE 70-0306) | 1        |     |          |
| 10 | N/A      | PISTON                     | 1        |     |          |
| 11 | N/A      | WASHER                     | 1        |     |          |
| 12 | 49-0144  | SPRING- 15 BAR             | 1        |     |          |
| 12 | 49-0145  | SPRING- 25 BAR             | 1        |     |          |
| 13 | N/A      | WASHER                     | 1        |     |          |
| 14 | N/A      | PLASTIC HOUSING            | 1        |     |          |

| <b>Id</b> | <b>Item #</b> | <b>Description</b>                  | <b>Quantity</b> | <b>Rev</b> | <b>Comments</b> |
|-----------|---------------|-------------------------------------|-----------------|------------|-----------------|
| 15        | N/A Sep.      | O-RING (SEE 70-0306)                | 1               |            |                 |
| 16        | N/A           | NUT- 15 BAR                         | 1               |            |                 |
| 16        | N/A           | NUT- 25 BAR                         | 1               |            |                 |
| 17        | N/A           | WIRE ASSEMBLY                       | 1               |            |                 |
| KIT       | 70-0306       | O-RING REPAIR KIT (INC. 4, 8-9, 15) |                 |            |                 |



HSE-1002-SM10 / HSE-1002-SM10 (sn:0-99999999)

## COIL DRAIN PLUG

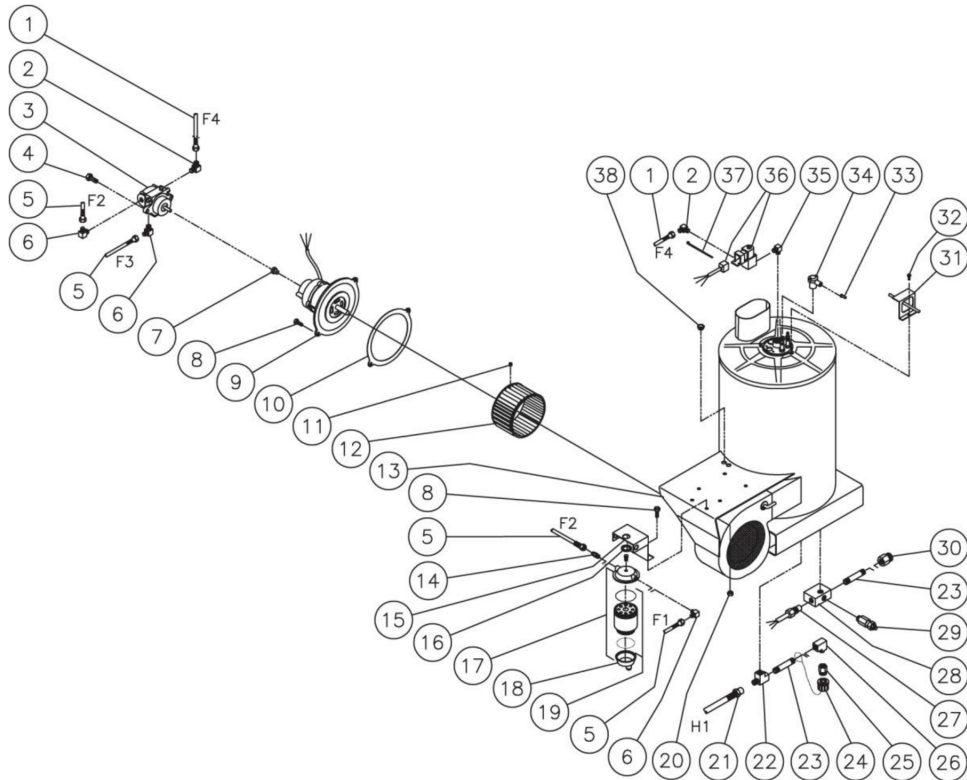


| Id | Item #  | Description     | Quantity | Rev | Comments |
|----|---------|-----------------|----------|-----|----------|
| 1  | 27-9526 | BOLT            | 1        |     |          |
| 2  | 33-0260 | RETAINING CABLE | 1        |     |          |
| 3  | 33-0261 | SNAP RING       | 1        |     |          |
| 4  | 16-0239 | HAND WHEEL      | 1        |     |          |
| 5  | 24-0147 | PLUG            | 1        |     |          |
| 6  | 25-0424 | BACK-UP RING    | 1        |     |          |
| 7  | 25-0423 | O-RING          | 1        |     |          |



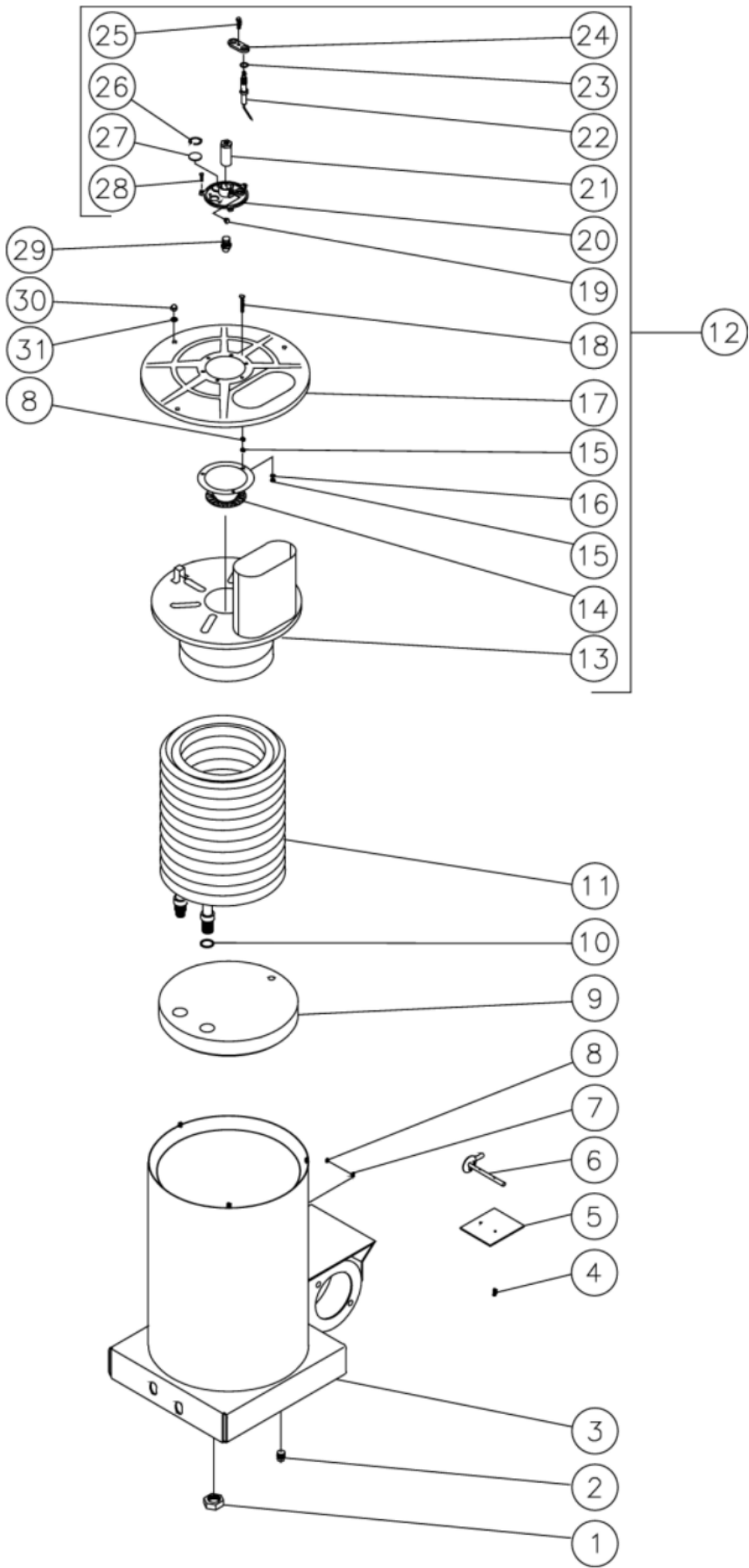
HSE-1002-SM10 / HSE-1002-SM10 (sn:0-99999999)

## HEAT EXCHANGER/BLOWER MOTOR



| Id | Item #     | Description                         | Quantity | Rev | Comments |
|----|------------|-------------------------------------|----------|-----|----------|
| 1  | 15-0173    | FUEL HOSE ASSEMBLY                  | 1        |     |          |
| 2  | 23-0287    | ELBOW                               | 2        |     |          |
| 3  | 3-0020     | FUEL PUMP                           | 1        |     |          |
| 4  | 27-8898    | BOLT                                | 2        |     |          |
| 5  | 15-0147    | FUEL HOSE ASSEMBLY                  | 3        |     |          |
| 6  | 23-0237    | ELBOW                               | 3        |     |          |
| 7  | 33-0265    | FUEL PUMP FLEX COUPLER              | 1        |     |          |
| 8  | 27-9524    | BOLT                                | 4        |     |          |
| 9  | 2-0085     | BLOWER MOTOR- 120 VOLT (1002)       | 1        |     |          |
| 9  | 2-0086     | BLOWER MOTOR- 120 VOLT (1502, 2003) | 1        |     |          |
| 10 | 20-0460A01 | SHIM                                | 1        |     |          |
| 11 | 30-3031    | SET SCREW                           | 1        |     |          |
| 12 | 44-0103    | BLOWER FAN                          | 1        |     |          |

| <b>Id</b> | <b>Item #</b> | <b>Description</b>            | <b>Quantity</b> | <b>Rev</b> | <b>Comments</b> |
|-----------|---------------|-------------------------------|-----------------|------------|-----------------|
| 13        | 850-0212      | BOILER ASSEMBLY               | 1               |            |                 |
| 14        | 23-0247       | MALE CONNECTOR                | 1               |            |                 |
| 15        | 20-0416A01    | FUEL WATER SEPARATOR BRACKET  | 1               |            |                 |
| 16        | 26-0001       | GASKET                        | 1               |            |                 |
| 17        | 19-0070       | FUEL WATER SEPARATOR          | 1               |            |                 |
| 18        | 19-0071       | FUEL WATER SEPARATOR BOWL     | 1               |            |                 |
| 19        | 19-0053       | FUEL WATER SEPARATOR STRAINER | 1               |            |                 |
| 20        | 30-3023       | HEX NUT                       | 2               |            |                 |
| 21        | 15-0204       | HOSE ASSEMBLY                 | 1               |            |                 |
| 22        | 23-0058       | TEE                           | 1               |            |                 |
| 23        | 24-0141       | PIPE NIPPLE                   | 2               |            |                 |
| 24        | 850-0218      | COIL DRAIN PLUG ASSEMBLY      | 1               |            |                 |
| 25        | 23-0279       | ADAPTER                       | 1               |            |                 |
| 26        | 23-0034       | ELBOW                         | 1               |            |                 |
| 27        | 32-0798       | HIGH LIMIT TEMP. SWITCH 120V  | 1               |            |                 |
| 28        | 24-0138       | COIL OUTLET BLOCK             | 1               |            |                 |
| 29        | 22-0272       | PRESSURE RELIEF VALVE         | 1               |            |                 |
| 30        | 23-0197       | ADAPTER                       | 1               |            |                 |
| 31        | 20-0417A01    | ELECTRODE BRACKET             | 1               |            |                 |
| 32        | 27-8803       | SCREW                         | 3               |            |                 |
| 33        | 44-0119       | SPARK PLUG TERMINAL           | 2               |            |                 |
| 34        | 32-0999       | ELECTRODE BOOT                | 2               |            |                 |
| 35        | 23-0249       | ELBOW                         | 1               |            |                 |
| 36        | 44-0101       | FUEL SOLENOID- 120V           | 1               |            |                 |
| 37        | 33-0022       | CABLE TIE                     | 1               |            |                 |
| 38        | 9-0028        | BUSHING                       | 2               |            |                 |

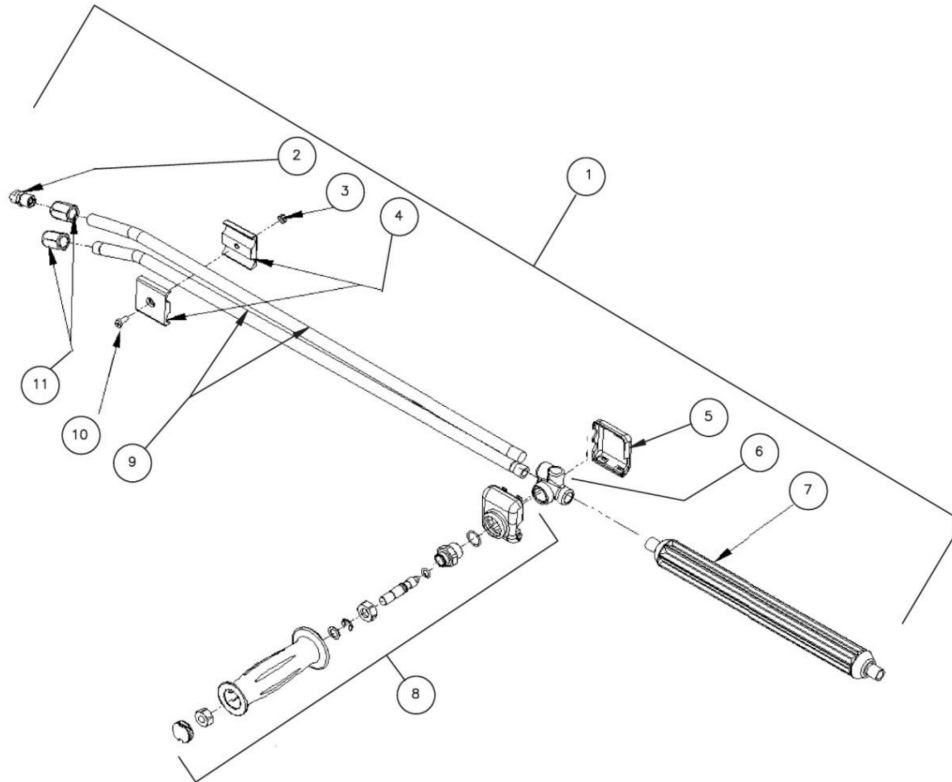


| Id | Item #     | Description                         | Quantity | Rev | Comments |
|----|------------|-------------------------------------|----------|-----|----------|
| 1  | 30-0121    | HEX NUT                             | 2        |     |          |
| 2  | 24-0034    | PLUG                                | 1        |     |          |
| 3  | 20-0404A01 | HEAT EXCHANGER OUTER WRAP           | 1        |     |          |
| 4  | 27-8879    | BOLT HEX HEAD                       | 2        |     |          |
| 5  | 20-0378A01 | AIR DIVERTER PLATE                  | 1        |     |          |
| 6  | 20-0377A01 | AIR DIVERTER STEM ASSEMBLY          | 1        |     |          |
| 7  | 28-1009    | LOCKWASHER                          | 1        |     |          |
| 8  | 30-6001    | NUT                                 | 4        |     |          |
| 9  | 33-0267    | BOTTOM INSULATION                   | 1        |     |          |
| 10 | 28-0521    | WASHER                              | 2        |     |          |
| 11 | 66-0009    | HEAT EXCHANGER COIL ASSEMBLY        | 1        |     |          |
| 12 | 70-0184    | PAN ASSEMBLY (INCLUDES 13-28)       | 1        |     |          |
| 13 | 20-0324    | EXHAUST PAN                         | 1        |     |          |
| 14 | 20-0325    | HEAT DEFLECTOR                      | 1        |     |          |
| 15 | 30-6001    | NUT                                 | 6        |     |          |
| 16 | 28-1009    | LOCKWASHER                          | 3        |     |          |
| 17 | 20-0323    | TOP PAN                             | 1        |     |          |
| 18 | 27-8806    | BOLT                                | 3        |     |          |
| 19 | 27-8805    | BOLT                                | 1        |     |          |
| 20 | 33-0183    | SUPPORT PLATE                       | 1        |     |          |
| 21 | 33-0182    | NOZZLE HOLDER                       | 1        |     |          |
| 22 | 32-0377    | ELECTRODE                           | 2        |     |          |
| 23 | 28-1007    | WASHER                              | 2        |     |          |
| 24 | 33-0180    | ELECTRODE MOUNTING PLATE            | 1        |     |          |
| 25 | 27-8807    | BOLT                                | 1        |     |          |
| 26 | 25-0290    | SNAP RING                           | 1        |     |          |
| 27 | 33-0179    | SIGHT GLASS                         | 1        |     |          |
| 28 | 27-8803    | BOLT                                | 3        |     |          |
| 29 | 18-0268    | FUEL NOZZLE (1002/ 1502)            | 1        |     |          |
| -  | 18-0310    | FUEL NOZZLE (2003)                  | 1        |     |          |
| 30 | 30-6002    | ACORN NUT                           | 3        |     |          |
| 31 | 28-1028    | STAR WASHER                         | 3        |     |          |
|    | 850-0212   | BOILER ASSEMBLY (INC. 1-28, 30, 31) |          |     |          |



HSE-1002-SM10 / HSE-1002-SM10 (sn:0-99999999)

## LANCE ASSEMBLY



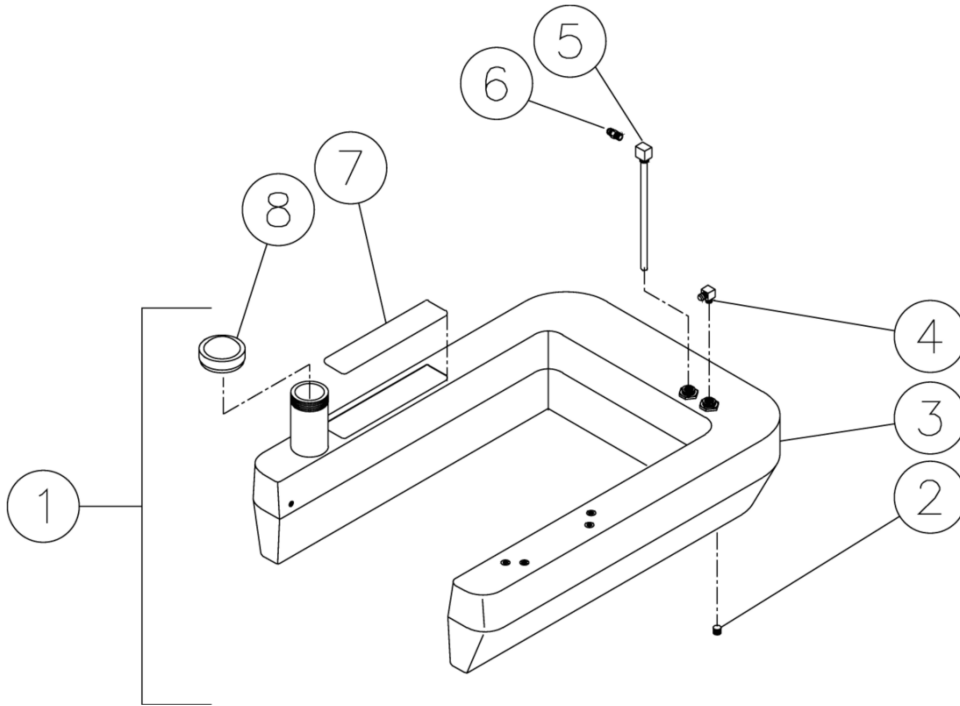
| Id | Item #   | Description                                | Quantity | Rev | Comments |
|----|----------|--------------------------------------------|----------|-----|----------|
| 1  | 16-0416  | DUAL LANCE ASSEMBLY - 36" (INC. 2-11)      | 1        |     |          |
| 1  | 16-0417  | DUAL LANCE ASSEMBLY - 48" (INC. 2-11)      | 1        |     |          |
| 2  | 18-0110  | DETERGENT NOZZLE                           | 1        |     |          |
| 3  | 30-6001  | NUT                                        | 1        |     |          |
| 4  | 16-0420  | CLAMP                                      | 2        |     |          |
| 5  | N/A Sep. | LOWER VALVE COVER (SEE 16-0416 OR 16-0417) | 1        |     |          |
| 6  | N/A Sep. | HOUSING (SEE 16-0416 OR 16-0417)           | 1        |     |          |
| 7  | 16-0419  | LANCE                                      | 1        |     |          |
| 8  | 70-0419  | HANDLE REPAIR KIT                          | 1        |     |          |
| 9  | N/A Sep. | LANCE (SEE 16-0416)                        | 2        |     |          |
| 9  | N/A Sep. | LANCE (SEE 16-0417)                        | 2        |     |          |
| 10 | 27-8196  | SCREW                                      | 1        |     |          |

| <b>Id</b> | <b>Item #</b> | <b>Description</b> | <b>Quantity</b> | <b>Rev</b> | <b>Comments</b> |
|-----------|---------------|--------------------|-----------------|------------|-----------------|
| 11        | 24-0280       | NOZZLE ADAPTER     | 2               |            |                 |



HSE-1002-SM10 / HSE-1002-SM10 (sn:0-99999999)

## FUEL TANK

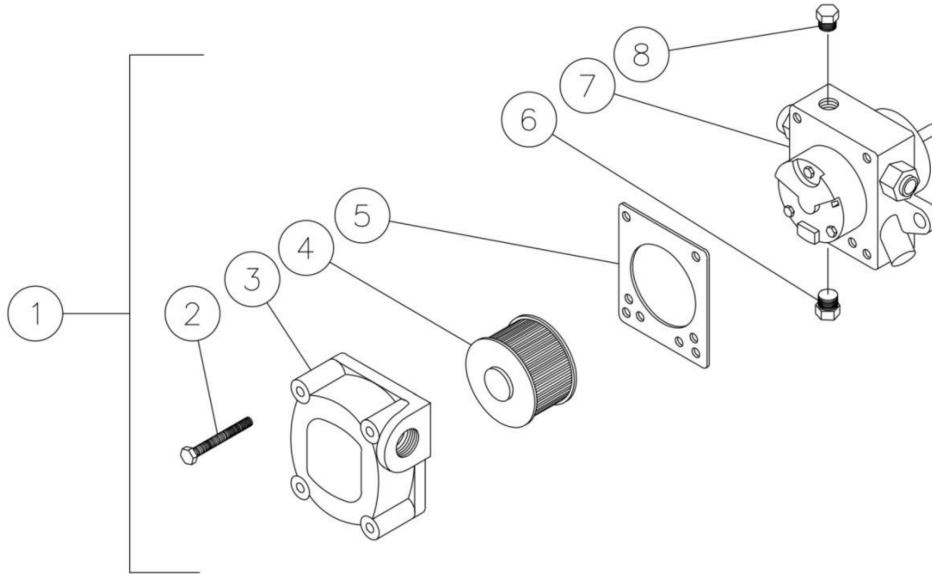


| Id | Item #   | Description                      | Quantity | Rev | Comments |
|----|----------|----------------------------------|----------|-----|----------|
| 1  | 850-0214 | FUEL TANK ASSEMBLY (INC. 2-8)    | 1        |     |          |
| 2  | 23-0296  | PLUG                             | 1        |     |          |
| 3  | N/A Sep. | FUEL TANK (SEE 850-0214)         | 1        |     |          |
| 4  | 23-0237  | ELBOW                            | 1        |     |          |
| 5  | 33-0270  | FUEL PICK-UP LINE                | 1        |     |          |
| 6  | 23-0247  | FLARE                            | 1        |     |          |
| 7  | N/A Sep. | DECAL-WARNING-RISK OF FIRE (E/S) | 1        |     |          |
| 8  | 12-0033  | VENTED FUEL CAP                  | 1        |     |          |



HSE-1002-SM10 / HSE-1002-SM10 (sn:0-99999999)

## FUEL PUMP

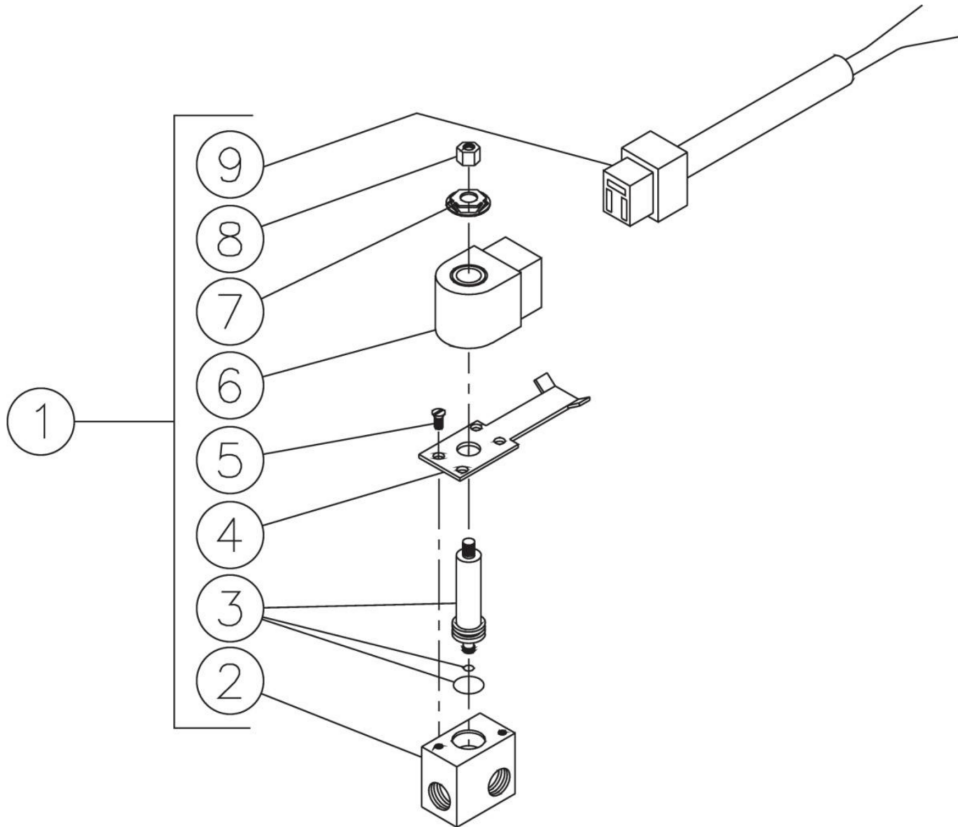


| Id | Item #  | Description                   | Quantity | Rev | Comments |
|----|---------|-------------------------------|----------|-----|----------|
| 1  | 3-0020  | FUEL PUMP COMPLETE (INC. 2-8) | 1        |     |          |
| 2  | 46-1006 | COVER SCREW                   | 4        |     |          |
| 3  | 46-1005 | COVER                         | 1        |     |          |
| 4  | 19-0034 | STRAINER                      | 1        |     |          |
| 5  | 26-0109 | COVER GASKET                  | 1        |     |          |
| 6  | 24-0044 | PLUG                          | 3        |     |          |
| 7  | N/A     | BODY                          | 1        |     |          |
| 8  | 24-0082 | PLUG                          | 1        |     |          |



HSE-1002-SM10 / HSE-1002-SM10 (sn:0-99999999)

## FUEL SOLENOID

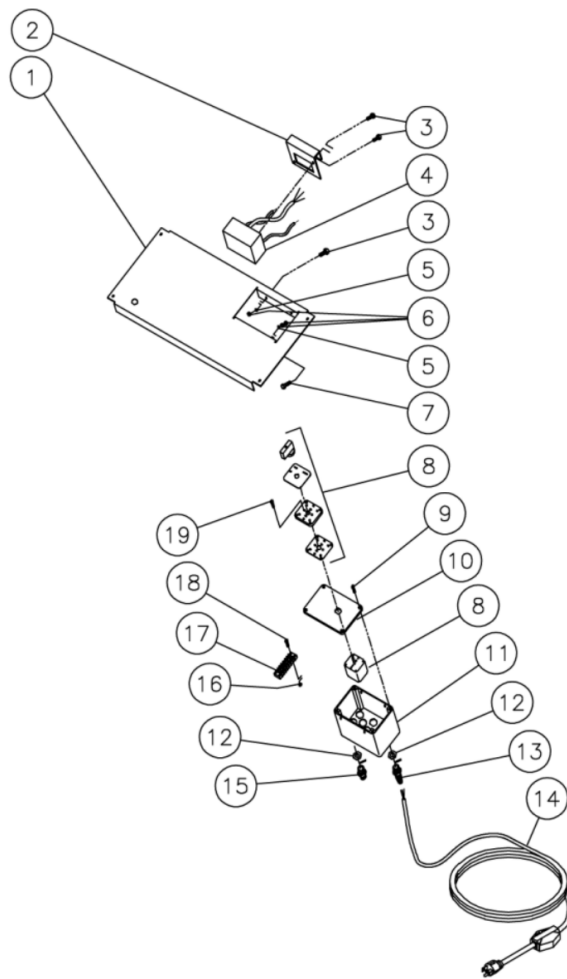


| Id | Item #   | Description            | Quantity | Rev | Comments |
|----|----------|------------------------|----------|-----|----------|
| 1  | 44-0101  | SOLENOID COMPLETE-120V | 1        |     |          |
| 2  | 46-1013  | SOLENOID BODY          | 1        |     |          |
| 3  | 46-1012  | SOLENOID PISTON        | 1        |     |          |
| 4  | 46-1014  | SOLENOID BASE          | 1        |     |          |
| 5  | N/A Sep. | SCREW (SEE 44-0101)    | 2        |     |          |
| 6  | 46-1020  | SOLENOID COIL-120V     | 1        |     |          |
| 7  | N/A SEP. | SPRING (SEE 44-0101)   | 1        |     |          |
| 8  | 46-1016  | PISTON NUT             | 1        |     |          |
| 9  | 32-0443  | DIN CONNECTOR CORD     | 1        |     |          |



HSE-1002-SM10 / HSE-1002-SM10 (sn:0-99999999)

## CONTROL PANEL



| Id | Item #     | Description     | Quantity | Rev | Comments |
|----|------------|-----------------|----------|-----|----------|
| 1  | 20-0405A01 | CONTROL PANEL   | 1        |     |          |
| 2  | 20-0414A01 | IGNITER BRACKET | 1        |     |          |
| 3  | 27-9526    | BOLT            | 7        |     |          |
| 4  | 44-0104    | IGNITER         | 1        |     |          |

| <b>Id</b> | <b>Item #</b> | <b>Description</b>            | <b>Quantity</b> | <b>Rev</b> | <b>Comments</b> |
|-----------|---------------|-------------------------------|-----------------|------------|-----------------|
| 5         | 28-1009       | WASHER                        | 4               |            |                 |
| 6         | 30-6001       | HEX NUT                       | 5               |            |                 |
| 7         | 27-8807       | BOLT                          | 1               |            |                 |
| 8         | 32-0434       | CAM SWITCH (1002)             | 1               |            |                 |
| 8         | 32-0679       | CAM SWITCH (1502)             | 1               |            |                 |
| 9         | 70-0197       | HARDWARE KIT                  | 1               |            |                 |
| 10        | 32-0433A01    | LID                           | 1               |            |                 |
| 11        | 32-0432A01    | ELECTRIC BOX                  | 1               |            |                 |
| 12        | 32-0108       | LOCKNUT                       | 7               |            |                 |
| 13        | 32-0407       | STRAIN RELIEF                 | 1               |            |                 |
| 14        | 32-0268       | ELECTRICAL CORD W/GFCI (1002) | 1               |            |                 |
| 14        | 32-0215       | ELECTRICAL CORD W/GFCI (1502) | 1               |            |                 |
| 15        | 32-0437       | STRAIN RELIEF                 | 6               |            |                 |
| 16        | 30-0137       | HEX NUT                       | 2               |            |                 |
| 17        | 32-0436       | TERMINAL STRIP                | 1               |            |                 |
| 18        | 27-8861       | BOLT                          | 2               |            |                 |
| 19        | 27-8897       | SCREW                         | 2               |            |                 |