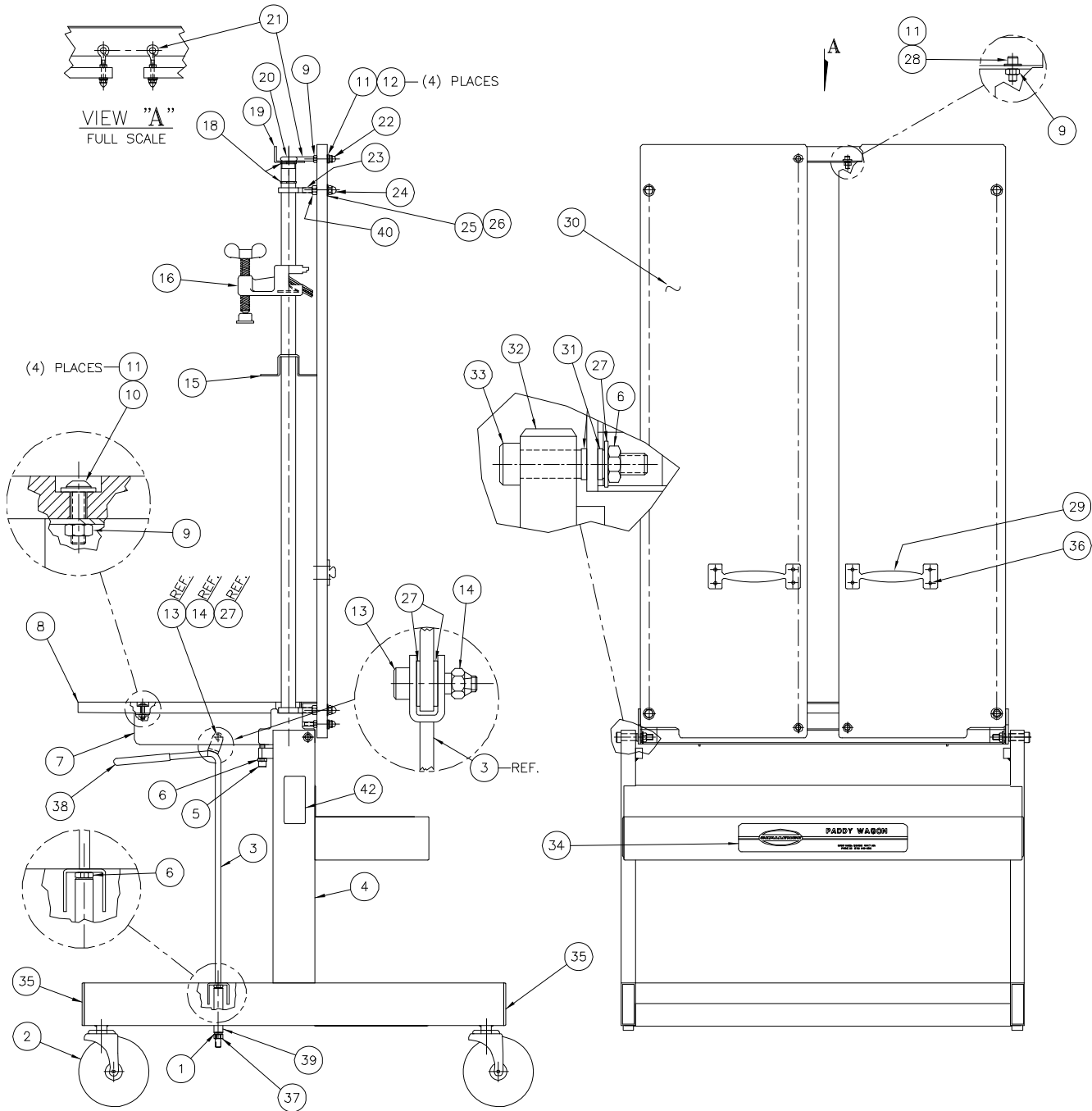


8.0 Drawings & Schematics

8.1 Main Assembly – A-7400, Rev. S



8.2 Main Assembly - A-7400, Rev. S

NO.	PART NO.	DESCRIPTION OF ACCESSORIES	QTY
1	H-6416-616-2	3/8 WELDNUT (PLATED) (S-1729-8)	1
2	S-1881-1	CASTER - SWIVEL, 5" DIA.	4
3	A-7422-1	ASSEMBLY - STOP ROD	1
4	A-7410	ASSEMBLY - STAND	1
5	H-6918-612	SCREW - 3/8-16 X 1-1/2 SOC HD CAP	2
6	H-6424-6	NUT - 3/8-16 JAM (PLATED)	5
7	A-7420	ASSEMBLY - TABLE SUPPORT	1
8	7402	TABLE	1
9	H-6414-4	NUT - 1/4-20 WHIZ LOCK	12
10	H-6910-408	SCREW - 1/4-20 X 1" BUTT HD	4
11	H-7321-4	WASHER - 1/4 PLATED	12
12	H-7324-8	WASHER - 1/4 SHAKEPROOF LOCK	4
13	H-5254-606	BOLT - 3/8x3/4 SHOULDER	1
14	H-5247-5	NUT - 5/16-18 FLEX	1
15	7411	CLAMP BAR	1
16	S-1882	FIXTURE - PIPE CLAMP	2
17			
18	E-519-1	NUT - 3/4 CONDUIT LOCK	4
19	7412	CROSS TIE	1
20	E-1459-1	BUSHING - 3/4	2
21	S-1884	EYEBOLT - ϕ 1/4 2-5/16 LONG	4
22	H-6431-4	NUT - 1/4-20 ACORN (PLATED)	4
23	S-1885	EYEBOLT - ϕ 3/8 3-5/16 LONG	4
24	H-6431-6	NUT - 3/8-16 ACORN (PLATED)	4
25	H-7321-6	WASHER - 3/8 PLATED	4
26	H-7324-12	WASHER - 3/8 SHAKEPROOF LOCK	4
27	H-7322-6	WASHER - 3/8 POLISHED	4
28	H-6918-405	SCREW - 1/4-20 X 5/8 SOC HD CAP	4
29	S-1883	HANDLE W/SCREW	2
30	7401	DOOR	2
31	H-7321-8	WASHER - 1/2 PLATED	4
32	S-1886-1	PLASTIC END CAP	2
33	H-5254-812	SCREW - 1/2 SHOULDER - 1-1/2 LONG	2
34	7437	LABEL - PADDY WAGON	1
35	S-1886	PLASTIC END CAP	4
36	H-6961-1006	WOODSCREW - #10 X 3/4 FLAT HD	8
37	H-6442-6	NUT- 3/8-16 NYLOC HEX	1
38	7426	PLASTIC HANDLE	1
39	7427	SPACER	1
40	H-6414-6	NUT - 3/8-16 WHIZ LOCK	4
41	W-175	CASTER WRENCH (NOT SHOWN)	1
42	S-1781-17	LABEL CAUTION	2