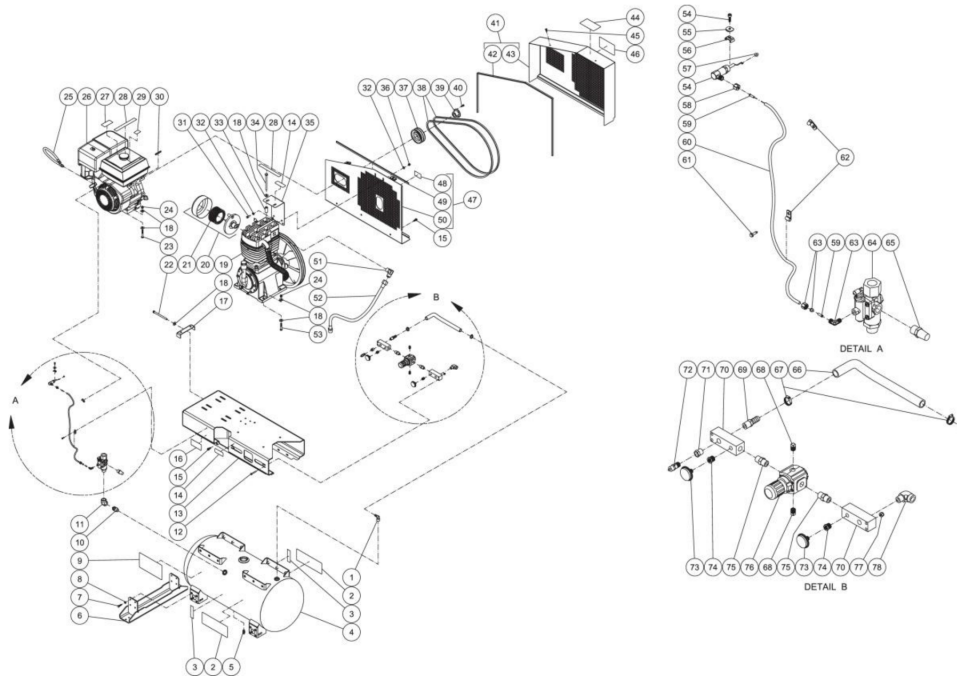




AM2-SH13-30M / AM2-SH13-30M (sn:0-99999999)

TANK ASSEMBLY



Id	Item #	Description	Quantity
1	23-0418	ELBOW	1
2	34-0828	DECAL- MI-T-M AIR COMPRESSOR	1
3	N/A Sep.	DECAL- TANK DRAIN (SEE 34-9016)	2
4	N/A	AIR TANK ASSEMBLY	1
5	23-0312	PETCOCKS	1
6	20-0862A01	BREAK BRACKET	2
7	27-0067	BOLT	16
8	29-0007	LOCKWASHER	16
9	N/A Sep.	DECAL- DANGER/WARNING/CAUTION (SEE 34-9016)	1
10	24-0283	NIPPLE	1
11	24-0284	ELBOW	1
12	27-0019	BOLT	4
13	5-0250A01	BASEPLATE	1
14	N/A Sep.	DECAL- WARNING: RISK OF BURNS (SEE 34-9016)	2
15	27-9524	BOLT	15

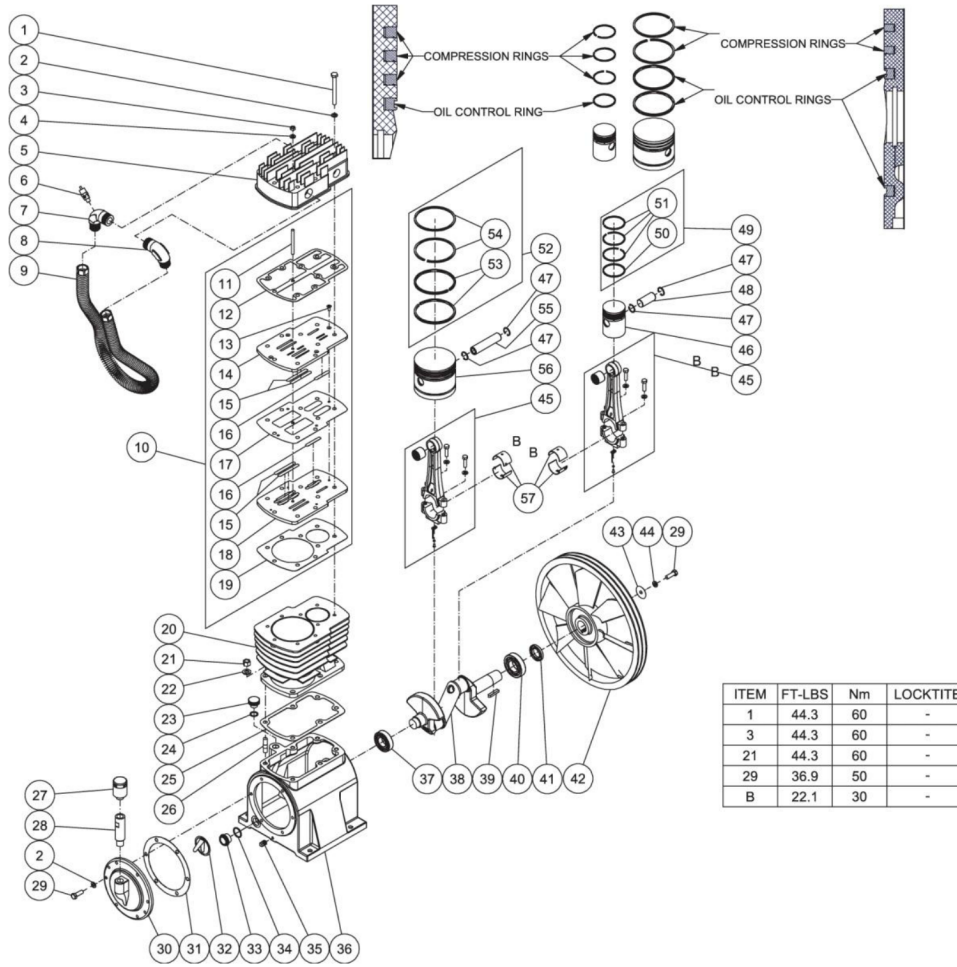
Id	Item #	Description	Quantity
16	N/A	DECAL- DATA PLATE	1
17	20-0650A01	BELT TENSIONER PLATE	1
18	28-0023	FLATWASHER	19
19	3-0304	PUMP	1
20	19-0237	FILTER CANISTER (INC. 21)	1
21	19-0226	FILTER	1
22	27-0133	BOLT	1
23	27-0122	BOLT	4
24	30-0159	LOCKNUT	8
25	70-0358	DRAINZIT DRAIN ASSEMBLY	1
26	1-0086	ENGINE- HONDA	1
27	N/A Sep.	DECAL- MUFFLER HOT (SEE 34-9016)	1
28	N/A Sep.	DECAL- CHECK OIL TAPE (SEE 34-9016)	2
29	N/A Sep.	DECAL- ENGINE FUEL (SEE 34-9016)	1
30	43-0078	KEY	1
31	27-0066	SCREW	2
32	28-0003	WASHER	4
33	20-1020A52	SPACER	2
34	27-8074	BOLT	2
35	13-0192A01	BELTGUARD STABILIZER BRACKET	1
36	30-0157	LOCKNUT	2
37	10-0025	SHEAVE	1
38	11-0069	DRIVE BELT	2
39	9-0005	BUSHING	1
40	27-0015	SCREW	10
41	854-0088	BELTGUARD ASSEMBLY (INC. 42, 43)	1
42	33-0020	EDGING *(SIX FEET REQUIRED)	1
43	N/A Sep.	BELTGUARD COVER (SEE 854-0088)	1
44	N/A Sep.	DECAL- OPERATING INSTRUCTIONS (SEE 34-9016)	1
45	33-0197	FASTENER	2
46	N/A Sep.	DECAL- MAINTENANCE INSTRUCTIONS (SEE 34-9016)	1
47	854-0087	BELTGUARD BACK ASSEMBLY (INC. 48-50)	1
48	N/A Sep.	DECAL- WARNING: BELTGUARD IN PLACE (SEE 34-9016)	1
49	33-0020	EDGING *(THREE FEET REQUIRED)	1
50	N/A	BELTGUARD BACK ASSEMBLY	1
51	24-0285	ELBOW	1
52	15-0278	HOSE	1
53	27-0121	BOLT	4
54	33-0413	THROTTLE CONTROL	1

Id	Item #	Description	Quantity
55	N/A	THROTTLE CLAMP	1
56	45-0084	THROTTLE ENGINE CLIP	1
57	62-0126	THROTTLE CONTROL ADAPTER	1
58	23-0315	COMPRESSION NUT	1
59	23-0425	TUBE SUPPORT	2
60	15-0238	HOSE *(THREE FEET REQUIRED)	1
61	27-3064	SCREW	1
62	N/A	THROTTLE CLIP	2
63	23-0316	ELBOW	1
64	22-0394	PILOT VALVE	1
65	24-0286	EXHAUST MUFFLER	1
66	15-0007	HOSE *(TWO FEET REQUIRED)	1
67	42-0011	HOSE CLAMP	4
68	24-0009	PLUG	2
69	23-0105	HOSE BARB	2
70	51-0033	MANIFOLD	2
71	23-0017	BUSHING	1
72	22-0267	PRESSURE RELIEF VALVE	1
73	22-0271	PRESSURE GAUGE	2
74	23-0111	REDUCER	2
75	24-0010	NIPPLE	2
76	22-0395	ADJUSTABLE REGULATOR	1
77	30-0155	LOCKNUT	4
78	24-0105	ELBOW	1
	34-9016	DECAL KIT (INC. 3, 9, 14, 27-29, 44, 46, 48)	
		*MUST ORDER IN ONE FOOT LENGTHS	



AM2-SH13-30M / AM2-SH13-30M (sn:0-99999999)

PUMP ASSEMBLY



ITEM	FT-LBS	Nm	LOCKTITE
1	44.3	60	-
3	44.3	60	-
21	44.3	60	-
29	36.9	50	-
B	22.1	30	-

Id	Item #	Description	Quantity
1	27-8072	BOLT	9
2	28-1059	COPPER WASHER	15
3	30-0058	NUT	1
4	28-1011	WASHER	1
5	46-1318	PUMP HEAD	1
6	22-0362	LP SAFETY VALVE	1
7	24-0310	OUTLET ELBOW W/PORT	1
8	24-0311	OUTLET ELBOW	1
9	46-1319	INTERCOOLER TUBE	1
10	70-0505	VALVE PLATE GASKETS/REEDS (INC. 11-19)	1

Id	Item #	Description	Quantity
11	N/A	STUD	1
12	N/A	GASKET	1
13	N/A	SCREW	4
14	N/A	UPPER VALVE PLATE	1
15	N/A	LP REED VALVE	4
16	N/A	HP REED VALVE	2
17	N/A	GASKET	1
18	N/A	LOWER VALVE PLATE	1
19	N/A	GASKET	1
20	46-1320	CYLINDER	1
21	N/A	HEX NUT	6
22	N/A	LOCKWASHER	6
23	46-1281	OIL FILL CAP	1
24	25-0160	O-RING	1
25	N/A	GASKET	1
26	N/A	STUD	6
27	46-1276	BREATHER ASSY	1
28	46-1277	BREATHER PIPE	1
29	N/A	BOLT	7
30	46-1278	REAR CRANKCASE COVER	1
31	N/A	GASKET	1
32	46-1279	OBSTRUCT OIL NET	1
33	46-1280	OIL LEVEL SIGHT GLASS	1
34	25-0150	O-RING	1
35	24-0009	PLUG	1
36	46-1321	PUMP CRANKCASE	1
37	48-0024	BALL BEARING	1
38	46-1322	PUMP CRANKSHAFT	1
39	43-0125	KEY	1
40	48-0014	BALL BEARING	1
41	N/A	OIL SEAL	1
42	10-0141	FLYWHEEL	1
43	N/A	WASHER	1
44	29-0055	LOCKWASHER	1
45	70-0506	KIT - CONNECTING ROD ASSY	2
46	46-1323	HP PISTON	1
47	46-1324	PISTON PIN SNAP RING	4
48	46-1325	HP PISTON PIN	1
49	70-0507	KIT - HP PISTON RINGS	1

Id	Item #	Description	Quantity
50	N/A	OIL RING	1
51	N/A	COMPRESSION RING	3
52	70-0508	KIT - LP PISTON RINGS	1
53	N/A	OIL RING	2
54	N/A	COMPRESSION RING	2
55	46-1326	LP PISTON PIN	1
56	46-1327	LP PISTON	1
57	46-1328	CONNECTING ROD BUSHING	4
KIT	70-0509	PUMP GASKETS KIT (INC. 12, 17, 19, 25, 31)	1