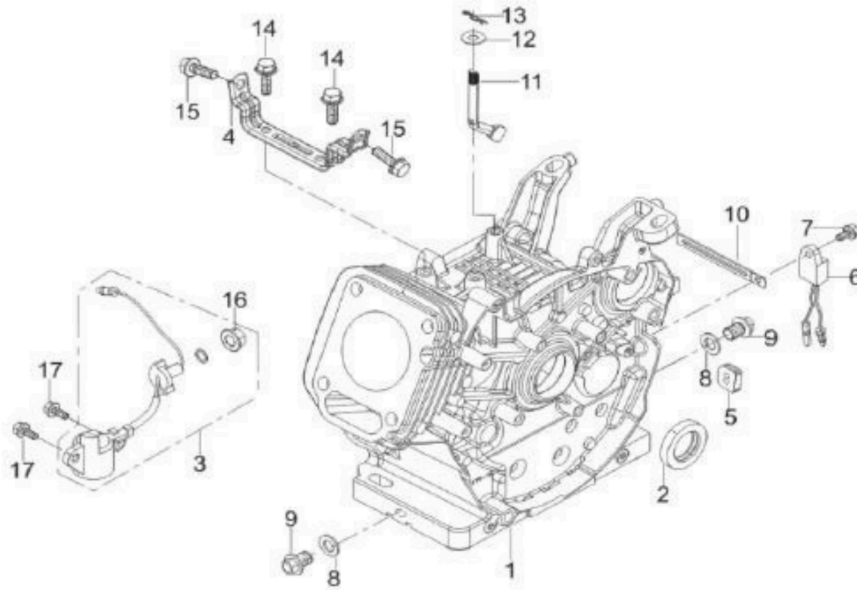




## Crankcase//Governor Gear Assembly

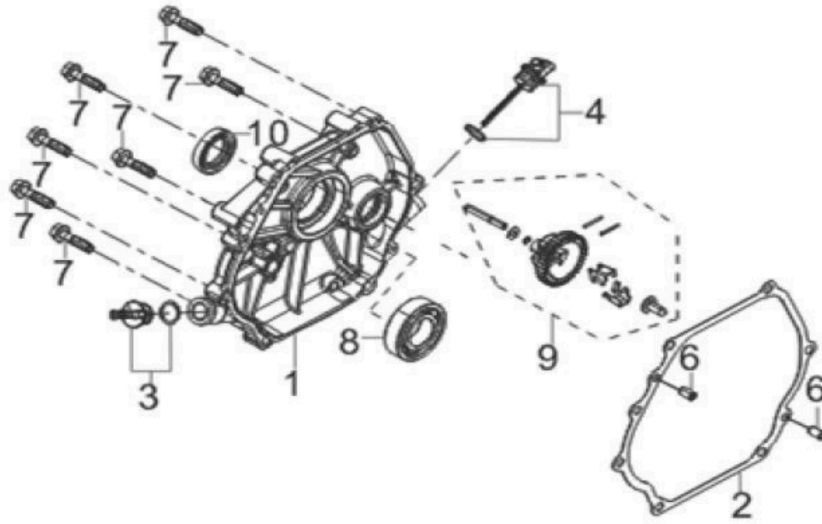


Id	Item #	Description	Quantity	Rev	Comments
1-01	1	CRANKCASE SUBASSEMBLY.	45-0909		
1-02	1	SEAL, OIL	45-0333		
1-03	1	SENSOR, ENGINE OIL	45-0787		
1-04	1	FRAME? FUEL TANK INSTALLTION	45-0925		
1-05	1	PLUG, RUBBER	45-0306		
1-06	1	PROTECTOR, OIL	45-0313		
1-07	1	BOLT	80-0405		
1-08	2	FLAT WASHER	45-0326		
1-09	2	BOLT, DRAIN PLUG	45-0236		
1-10	1	WIRE CLIP	80-0592		
1-11	1	ARM, GOVERNOR	45-0360		
1-12	1	FLAT WASHER - GRADE A	45-0327		
1-13	1	COTTER PIN	45-0328		
1-14	2	BOLT	80-0479		
1-15	2	BOLT	80-0478		
1-16	1	HEXAGON NUT WITH FLANGE	80-0396		

<b>Id</b>	<b>Item #</b>	<b>Description</b>	<b>Quantity</b>	<b>Rev</b>	<b>Comments</b>
1-17	2	BOLT	80-0365		



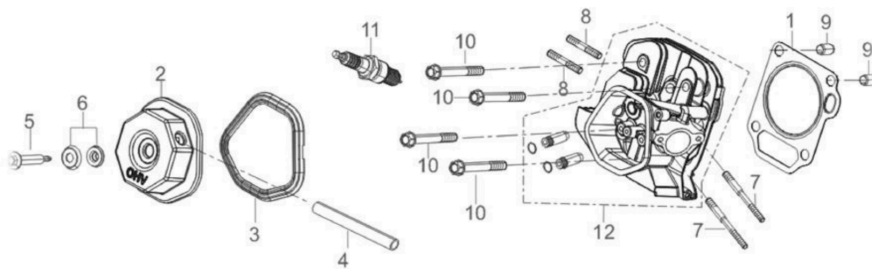
## Crankcase Cover Subassembly



Id	Item #	Description	Quantity	Rev	Comments
2-01	1	COVER, CRANKCASE	45-0817		
2-02	1	GASKET, CRANKCASE	45-0926		
2-03	1	PLUG SUBASSEMBLY, ENGINE OIL	45-0927		
2-04	1	DIPSTICK SUBASSEMBLY, OIL	45-0928		
2-06	2	POSITION PIN - TYPE A	45-0329		
2-07	7	BOLT	45-0389		
2-08	1	DEEP GROOVE BALL BEARING	45-0818		
2-09	1	GEAR ASSY, GOVERNOR	45-0365		
2-10	1	SEAL, OIL	45-0333		



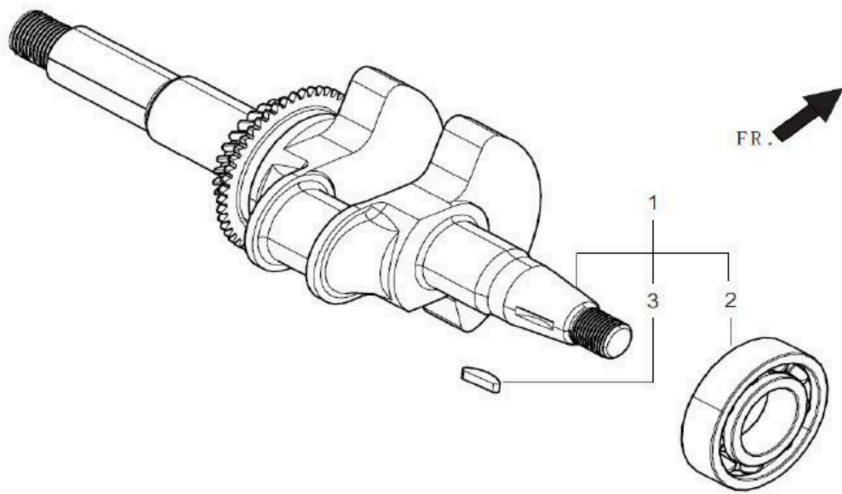
## Spark Plug, Cylinder Head Subassembly



Id	Item #	Description	Quantity	Rev	Comments
3-01	1	GASKET, CYLINDER HEAD	45-0929		
3-02	1	COVER SUBASSEMBLY, CYLINDER HEAD	45-0559		
3-03	1	CYLINDER HEAD COVER GASKET	45-0560		
3-04	1	TUBE, BREATHER	45-0784		
3-05	1	CYLINDER HEAD COVER BOLT	45-0562		
3-06	1	CYLINDER HEAD COVER BOLT SEAL SET	45-0563		
3-07	2	STUD BOLT	45-0382		
3-08	2	STUD BOLT	45-0323		
3-09	2	POSITION PIN - TYPE A	45-0330		
3-10	4	CYLINDER HEAD BOLT	45-0239		
3-11	1	PLUG, SPARK	45-0310		
3-12	1	HEAD SUBASSEMBLY, CYLINDER	45-0785		



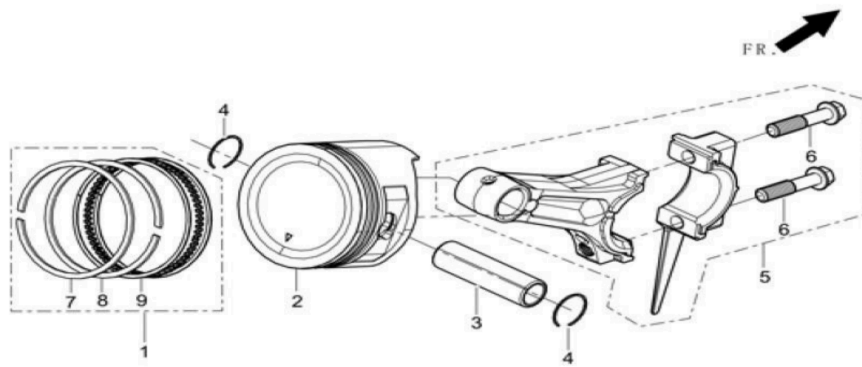
## Crankshaft Connecting Rod



Id	Item #	Description	Quantity	Rev	Comments
4-01	1	CRANKSHAFT ASSY	45-0790		



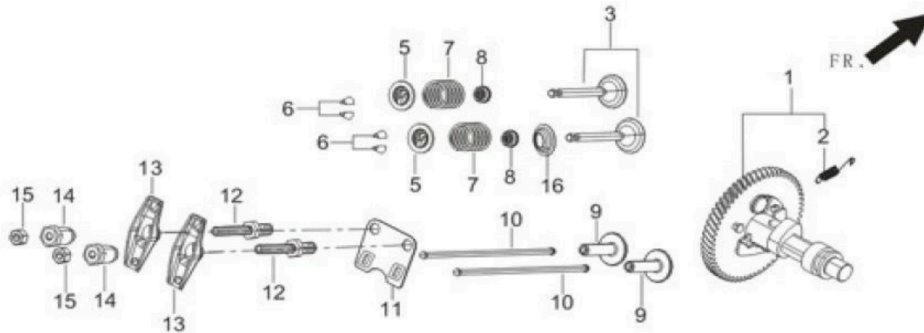
## Piston Subassembly



Id	Item #	Description	Quantity	Rev	Comments
5-01	1	RING ASSY, PISTON	45-0791		
5-02	1	PISTON	45-0792		
5-03	1	PIN, PISTON	45-0793		
5-04	2	CLIP, PISTON PIN	45-0794		
5-05	1	ROD, CONNECTING	45-0795		



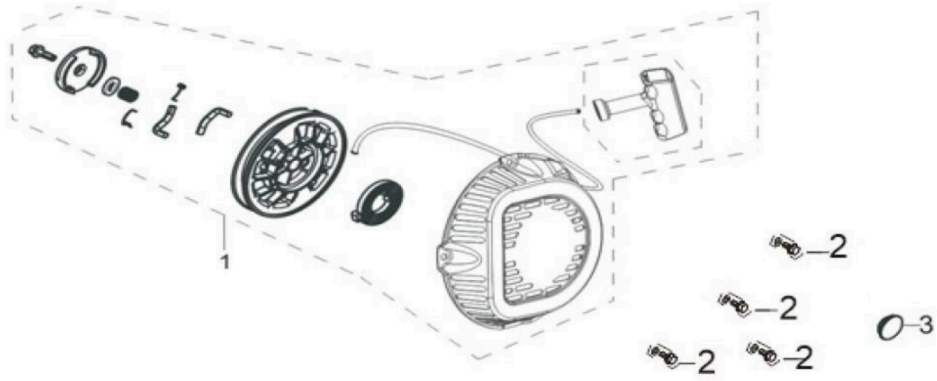
## Valve Train//Camshaft Subassembly



Id	Item #	Description	Quantity	Rev	Comments
6-01	1	CAMSHAFT ASSY.	45-0799		
6-03	1	VALVES SET	45-0800		
6-05	2	SEAT, VALVE SPRING	45-0803		
6-06	4	CLAMP, VALVE LOCK	45-0804		
6-07	2	SPRING, VALVE	45-0805		
6-08	2	GUIDE, SEAL	45-0806		
6-09	2	TAPPET, VALVE	45-0265		
6-10	2	LIFTER SUBASSEMBLY, VALVE	45-0807		
6-11	1	PLATE SUBASSEMBLY, LIFTER STOPPER	45-0266		
6-12	2	ROCKSHAFT BOLT	45-0270		
6-13	2	ROCKER, VALVE	45-0268		
6-14	2	NUT, VALVE ADJUSTING	80-0698		
6-15	2	NUT, VALVE LOCK	45-0269		
6-16	1	RETAINER, VALVE SPRING	45-0245		



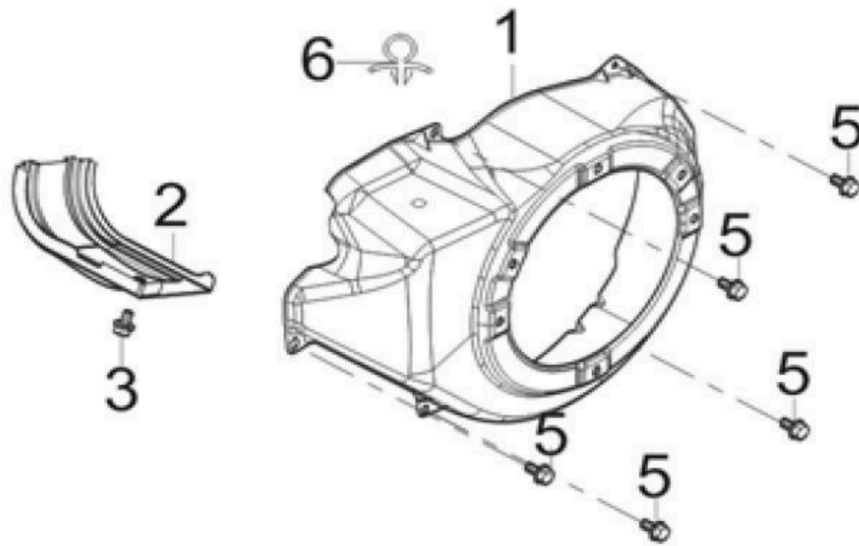
## Recoil Starter



Id	Item #	Description	Quantity	Rev	Comments
7-01	1	STARTER ASSY, RECOIL	45-0808		
7-02	4	Bolt and Washer	45-0381		



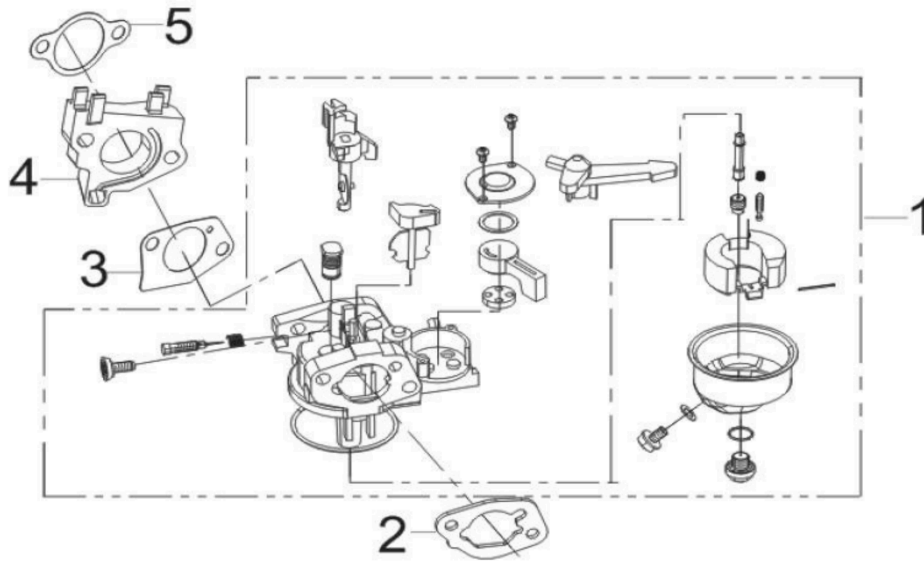
## Shrouds



Id	Item #	Description	Quantity	Rev	Comments
8-01	1	SHROUD	45-0378		
8-02	1	SHROUD, CYLINDER BODY	45-0375		
8-03	1	BOLT	80-0405		
8-05	5	BOLT	80-0405		
8-06	1	WIRE CLIP	45-0336		



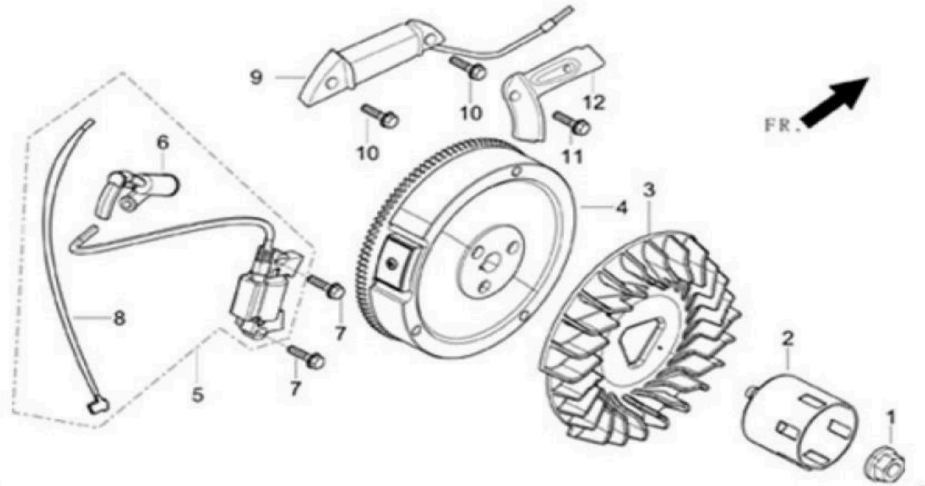
## Carburetor Assembly



Id	Item #	Description	Quantity	Rev Comments
9-01	1	CARBURETOR ASSY. (BEFORE SERIAL NUMBER: A223001964)	45-0930	
9-01	1	CARBURETOR ASSY. (AFTER SERIAL NUMBER: A223001964)	45-1103	
9-02	1	AIR CLEANER SEAL GASKET	45-0295	
9-03	1	CARBURETOR SEAL GASKET	45-0358	
9-33	1	PLATE, CARBURETOR INSULATOR	45-0811	
9-34	1	GASKET, INLET	45-0368	



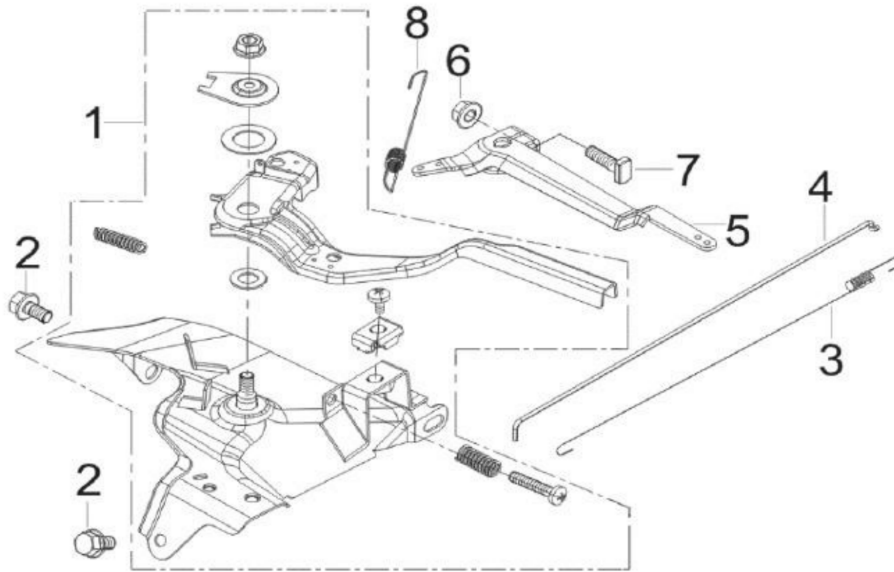
## Flywheel//Impeller/Starter Pulley/Ignition Coil



Id	Item #	Description	Quantity	Rev	Comments
10-01	1	NUT, FLYWHEEL	45-0262		
10-02	1	PULLEY,STARTER	45-0377		
10-03	1	IMPELLER	45-0376		
10-04	1	FLYWHEEL SUBASSEMBLY	45-0910		
10-05	1	COIL, IGNITION	45-0911		
10-07	2	HEX SOCKET FLANGE FACE BOLT	80-0400		
10-09	1	COIL SUBASSEMBLY, CHARGE	45-0441		
10-10	2	HEX SOCKET FLANGE FACE BOLT	80-0400		
10-11	1	HEX SOCKET FLANGE FACE BOLT	45-0533		
10-12	1	CLAMP, CHARGE COIL	45-0912		



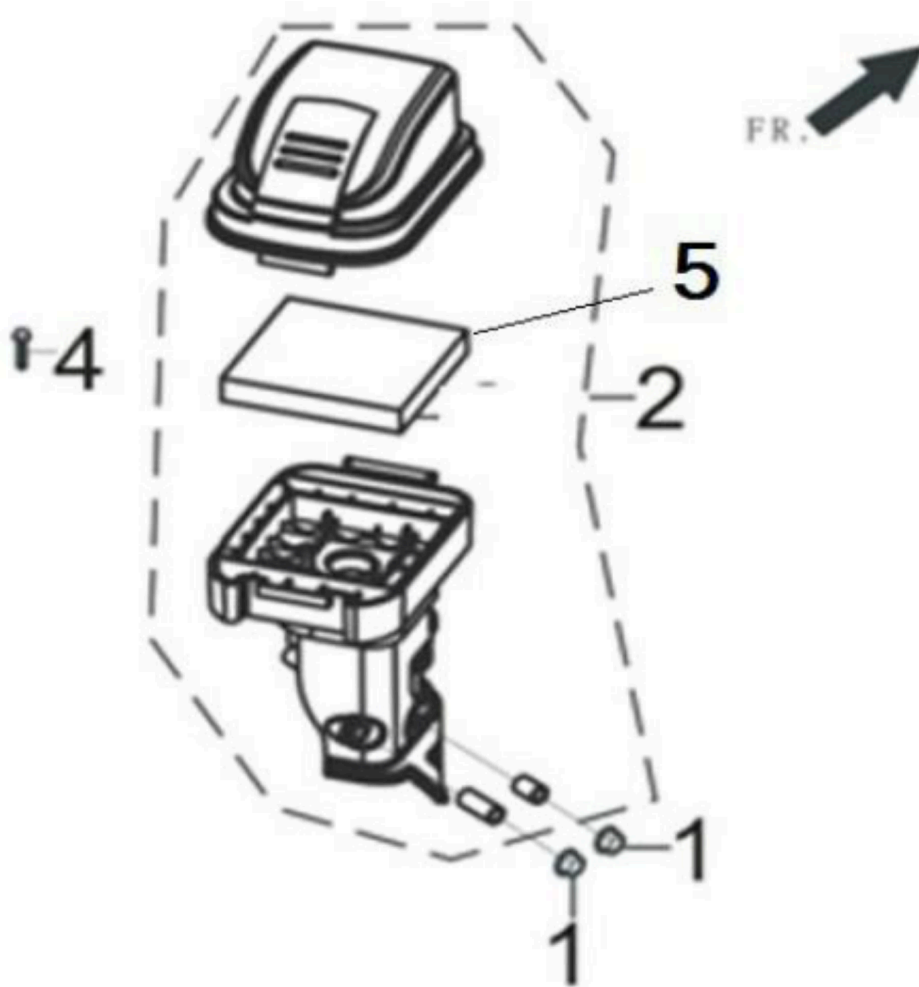
## Throttle Control Assembly



Id	Item #	Description	Quantity	Rev	Comments
11-01	1	CONTROL ASSY, THROTTLE	45-0931		
11-02	2	BOLT	80-0405		
11-03	1	SPRING, THROTTLE VALVE RETURNING	45-0277		
11-04	1	ROD, GOVERNEOR	45-0361		
11-05	1	GOVERNOR BRACKET SUBASSEMBLY	45-0363		
11-06	1	HEXAGON NUT WITH FLANGE	80-0469		
11-07	1	BOLT, GOVERNOR SUPPORT	45-0282		
11-08	1	SPRING, GOVERNOR	45-0924		



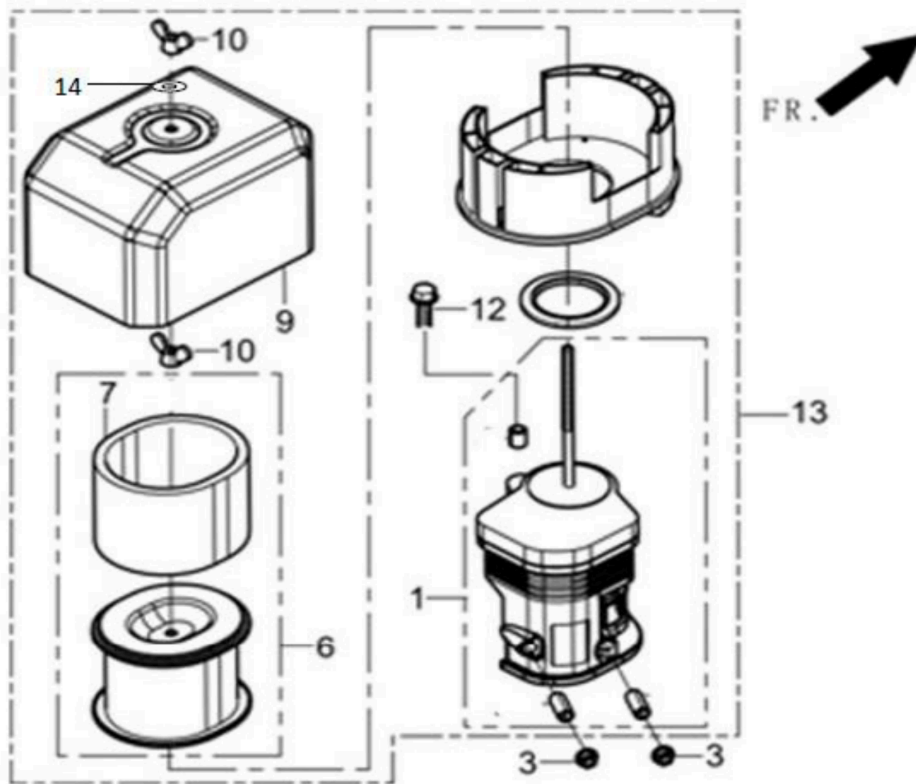
**Air Cleaner (Before sn A2203001964)**



Id	Item #	Description	Quantity	Rev	Comments
12-01	2	HEXAGON NUT WITH FLANGE	80-0469		
12-02	1	AIR CLEANER	45-0812		
12-04	1	BOLT	45-0915		
12-05	1	AIR FILTER ELEMENT	45-0387		



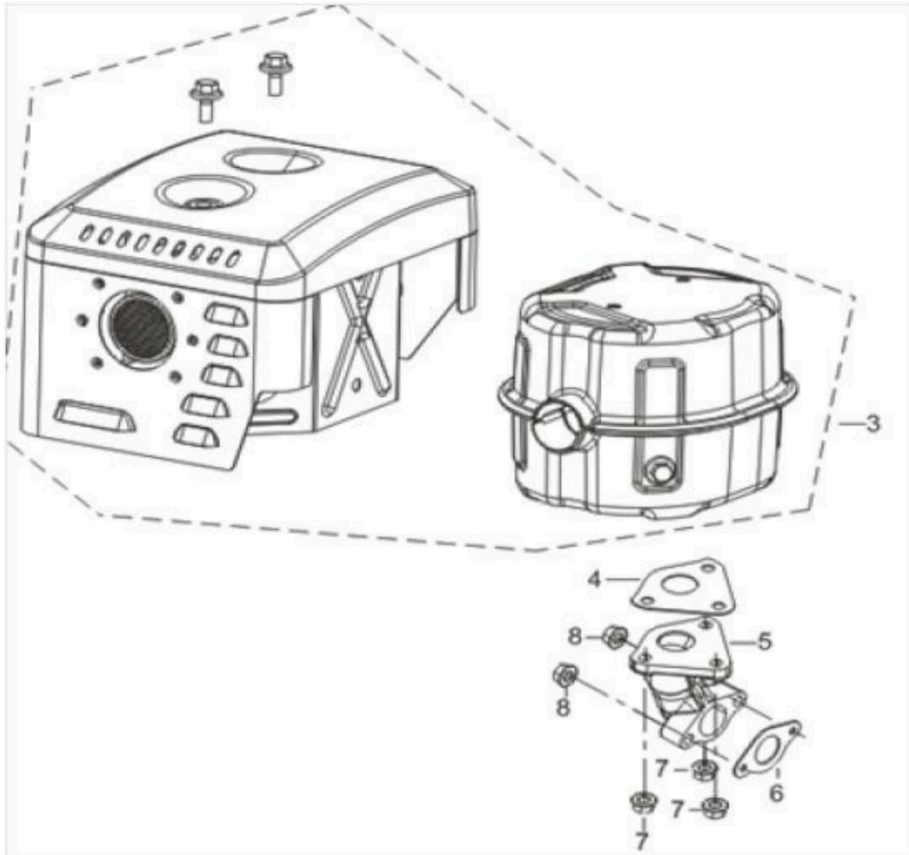
## Air Cleaner (After sn A2203001964)



Id	Item #	Description	Quantity	Rev	Comments
13-03	2	HEXAGON NUT WITH FLANGE	80-0469		
13-06	1	AIR FILTER - 300CC	45-0906		
13-09	1	AIR FILTER COVER - 300CC	45-0907		
13-10	2	BUTTERFLY NUT - STAMPED	45-0905		
13-12	1	BOLT	45-0896		
13-13	1	AIR FILTER ASSEMBLY - 300CC	45-0908		
13-14	1	SEALING WASHER - 1/4" NEOPRENE	28-1072		



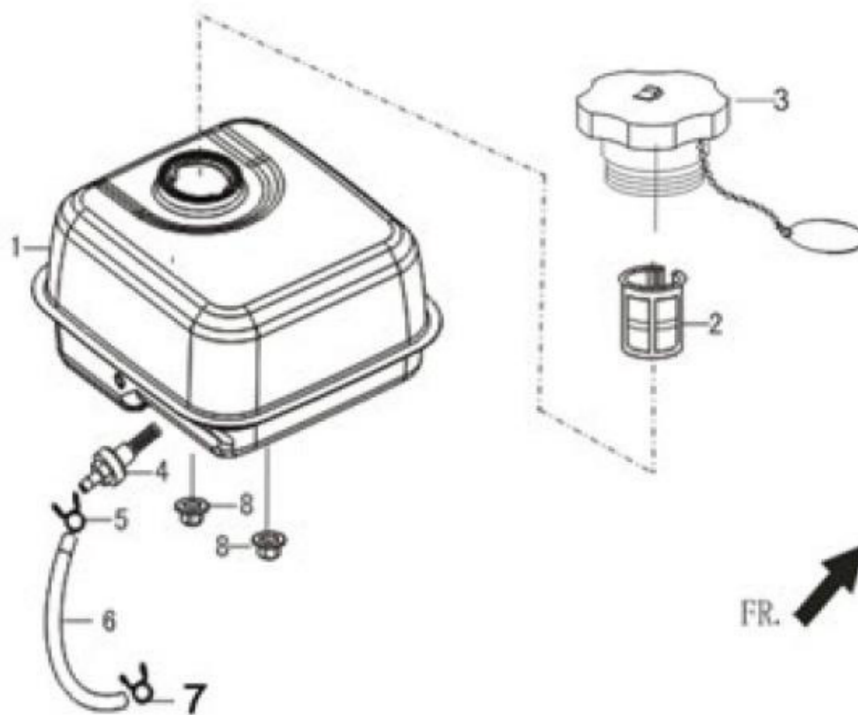
## Muffler Assembly



Id	Item #	Description	Quantity	Rev	Comments
14-03	1	MUFFLER ASSY.	45-0814		
14-04	1	GASKET, MUFFLER	45-0371		
14-05	1	PIPE, EXHAUST	45-0439		
14-06	1	GASKET, EXHAUST OUTLET	45-0435		
14-07	3	HEXAGON NUT WITH FLANGE	45-0325		
14-08	2	HEXAGON NUT WITH FLANGE	45-0325		



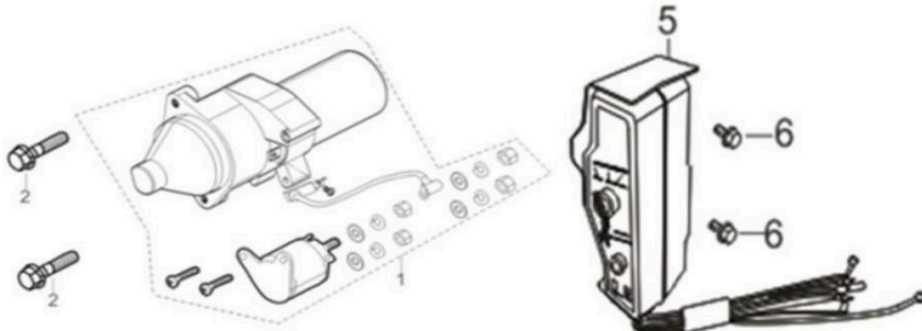
## Fuel Tank Assembly



Id	Item #	Description	Quantity	Rev	Comments
15-01	1	FUEL TANK	45-0413		
15-02	1	STRAINER?FUEL	45-0411		
15-03	1	COVER, FUEL TANK	45-0932		
15-04	1	OUTLET SUBASSEMBLY, FUEL TANK OIL	45-0933		
15-05	1	PIPE CLAMP	45-0949		
15-06	1	TUBE, FUEL	45-0934		
15-07	1	PIPE CLAMP	45-0935		
15-08	2	HEXAGON NUT WITH FLANGE	80-0583		



## Motor Starter Assembly



Id	Item #	Description	Quantity	Rev	Comments
16-01	1	STARTING MOTOR ASSEMBLY	45-0913		
16-02	2	HEXAGON SOCKET FLANGE FACE BOLT - SMALL SERIES	80-0582		
16-05	1	CONTROL SWITCH	45-0914		
16-06	2	HEXAGON SOCKET FLANGE FACE BOLT - SMALL SERIES	80-0405		