

CANOGA PLASTER MIXER 890 SERIES

MANUFACTURED BY:

MK DIAMOND PRODUCTS, INC.

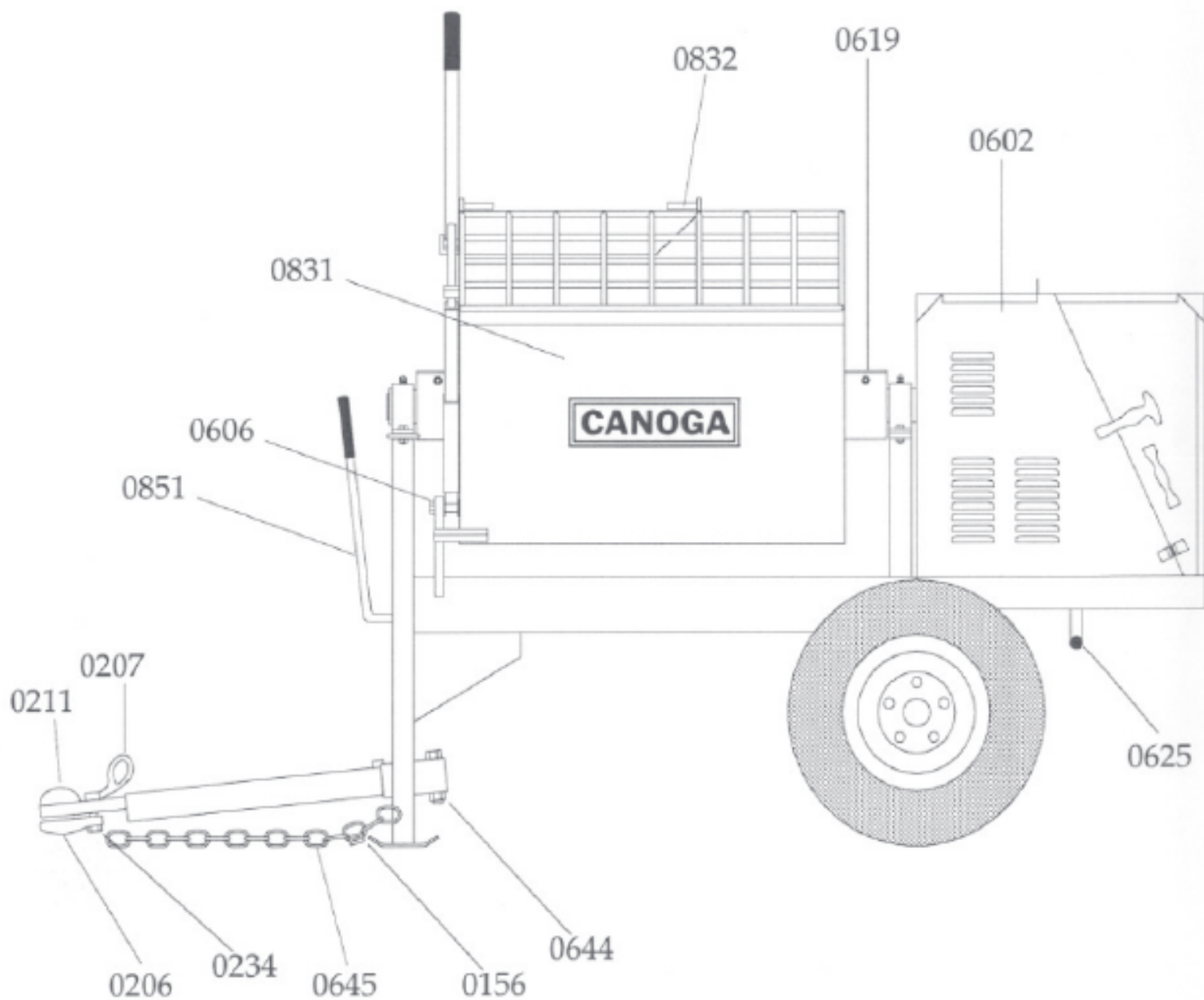


**OWNERS/PARTS MANUAL
890 SERIES MACHINES**

MODEL 890 PARTS LIST

Please specify MODEL and SERIAL NUMBERS when ordering parts.

PART NUMBER	DESCRIPTION	QUANTITY REQUIRED	PART NUMBER	DESCRIPTION	QUANTITY REQUIRED
0830	chassis	1	0638	V-belt guide assembly (used on Honda powered mixers)	1
0831	mixing tub	1	0852	V-belt guide assembly (used on electric powered mixers)	1
0602	engine enclosure	1	0652	V-belt guide assembly (used on Briggs & Stratton powered mixers)	1
0832	grill assembly	1	0639	dump handle grip	1
0604	mixing tub handle assembly	1	0640	clutch lever grip	2
0833	paddle shaft	1	0026	1/8" NPT straight grease fitting	4
0040	1/4" drive key (pulleys)	2	0048	CANOGA nameplate	1
0606	swivel tub stop assembly	1	0053	5.00 x 13" wheel	2
0834	mixing paddle (front with end wiper)	1	0054	A78 x 13" tire	2
0835	mixing paddle (mid-front)	1	0210	A78/5.00 x 13" tire and wheel	2
0837	mixing paddle (rear with end wiper)	1	0645	safety chain	1
0836	mixing paddle (mid-rear)	1	0105	wheel hub (includes lug nuts)	2
0838	end scraping paddle (front)	1	0106	wheel bearing-inner	2
0839	end scraping paddle (rear)	1	0107	wheel race-inner	2
0840	mixing paddle mounting block	2	0108	wheel bearing-outer	2
0842	steel scraper blade set (6 pc.)	1	0109	wheel race-outer	2
0843	rubber scraper blade set (6 pc.)	1	0110	wheel grease seal	2
0844	scraper blade mounting bolt set	1	0111	wheel dust cap	2
0841	mixing paddle mounting bolt set	1	0112	3/4" N.F. slotted axle nut	2
0615	1-3/4" paddle shaft bearing	2	0113	1/8" x 1-1/2" cotter pin	2
0618	seal retainer guard	2	0217	8 h.p. Briggs & Stratton - Std. (6:1 gear box)	1
0619	seal retainer guard lid	2	0218	8 h.p. Briggs & Stratton - IC (6:1 gear box)	1
0652	seal set (11 pc.)	2	0134	8 h.p. Honda (6:1 gear box)	1
0482	seal retainer (welded into ends of mixing tub)	2	0845	3 h.p. electric motor (single phase)	1
0485	seal spring assembly	2	0846	3 h.p. electric motor (three phase)	1
0643	bearing cup collar	2	0138	axle spindle	2
0620	towing tongue (specify ball, pin, ring)	1	0853	Owners/Parts manual	1
0644	tow tongue bolt/lock nut (3/4" x 4")	1	0235	metal pocket (for Owners/Parts manual)	1
0147	axle assembly (torsion-bar suspension)	1	0648	CANOGA gear Lube	1
0622	bull gear (with key, 2 set screws & lock nuts)	1	0151	one gallon paint (CANOGA Orange)	1
0649	3/8" drive key (for bull gear)	1	0616	bag splitter	1
0623	pinion gear with shaft (14 tooth) (used on gasoline powered mixers)	1	0156	quick link	1
0625	rear clutch lever	1	0249	door hinge	1
0626	clutch actuating assembly	1	0214	hose nozzle ring	1
0851	front clutch lever	1	0206	hitch fork (forged)	1
0629	clutch spring	2	0234	hitch fork bolt/washer	1
0849	drive pulley (used on gasoline powered mixers)	1	0207	hitch wing nut (forged)	1
0850	driven pulley(used on gasoline powered mixers)	1	0211	ball hitch insert	1
0847	drive pulley (used on electric powered mixers)	1	0213	rubber latch clamp assembly	1
0848	driven pulley (used on electric powered mixers)	1	0220	door pull, handle	1
0039	driven pulley hub (used on electric or gasoline powered mixers)	1	0820	1" pillow block bearing	2
0636	V-belt (used on gasoline powered mixers)	3			
0637	V-belt (used on electric powered mixers)	3			



PADDLE SHAFT

SEAL REPLACEMENT

