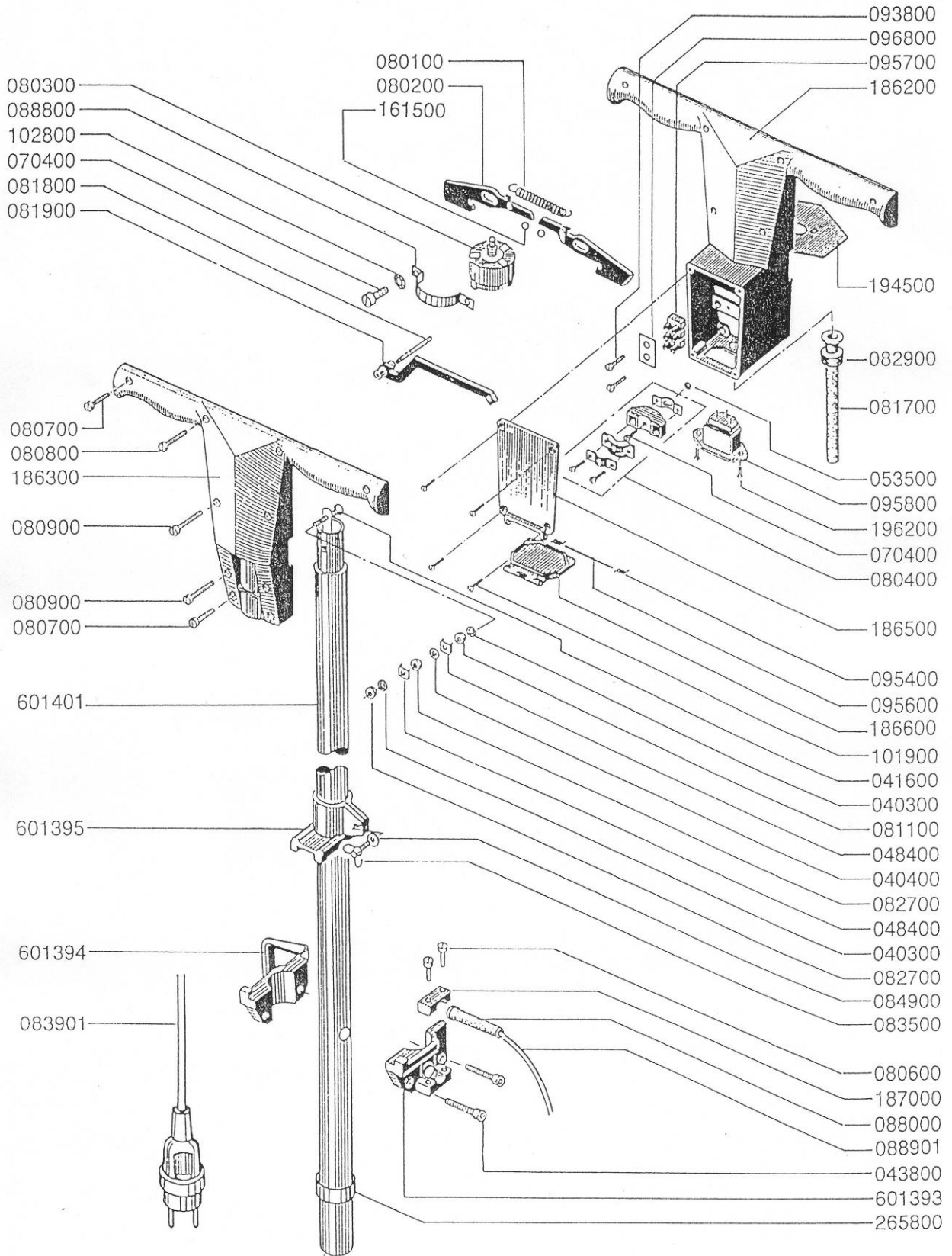
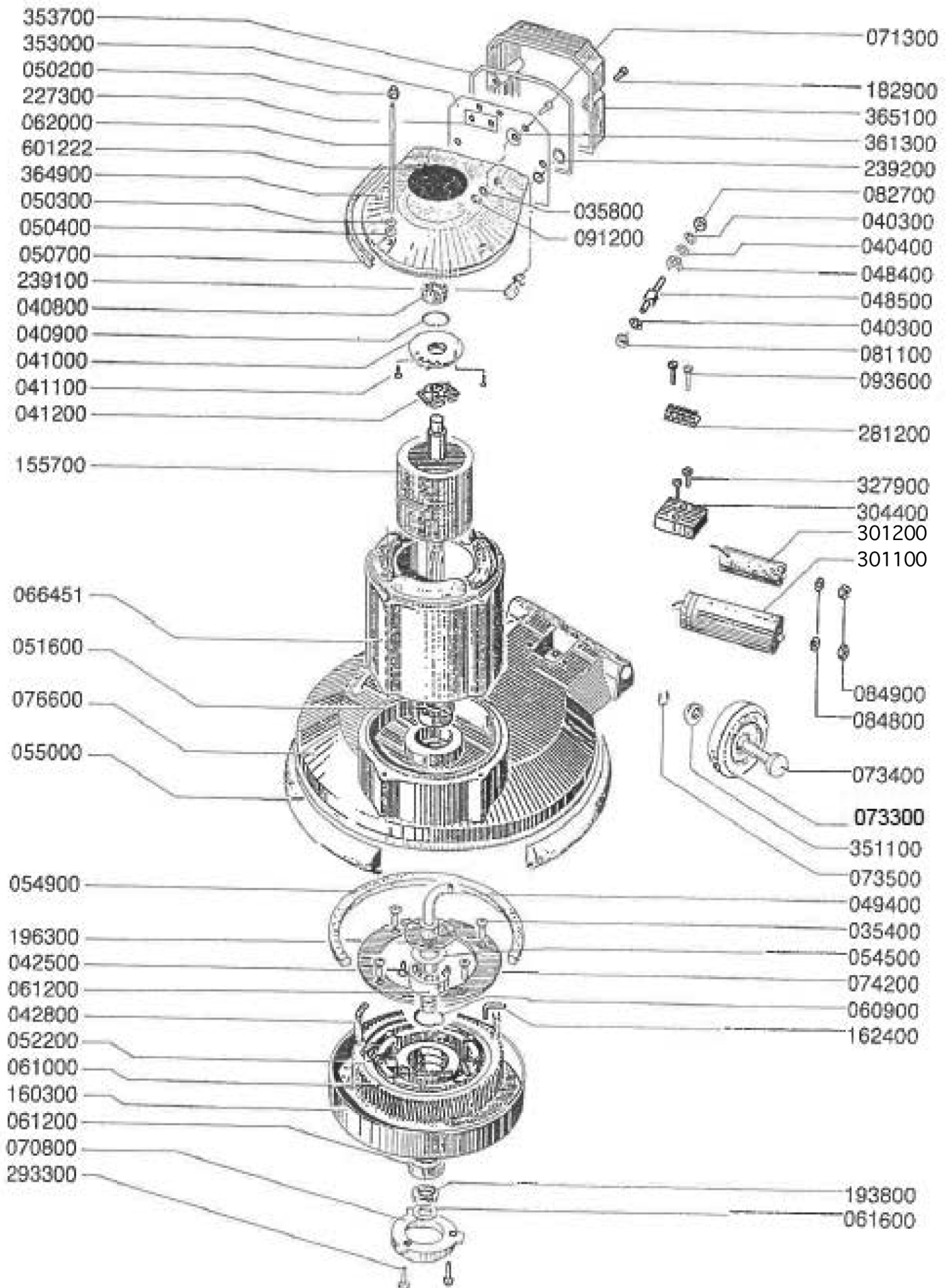


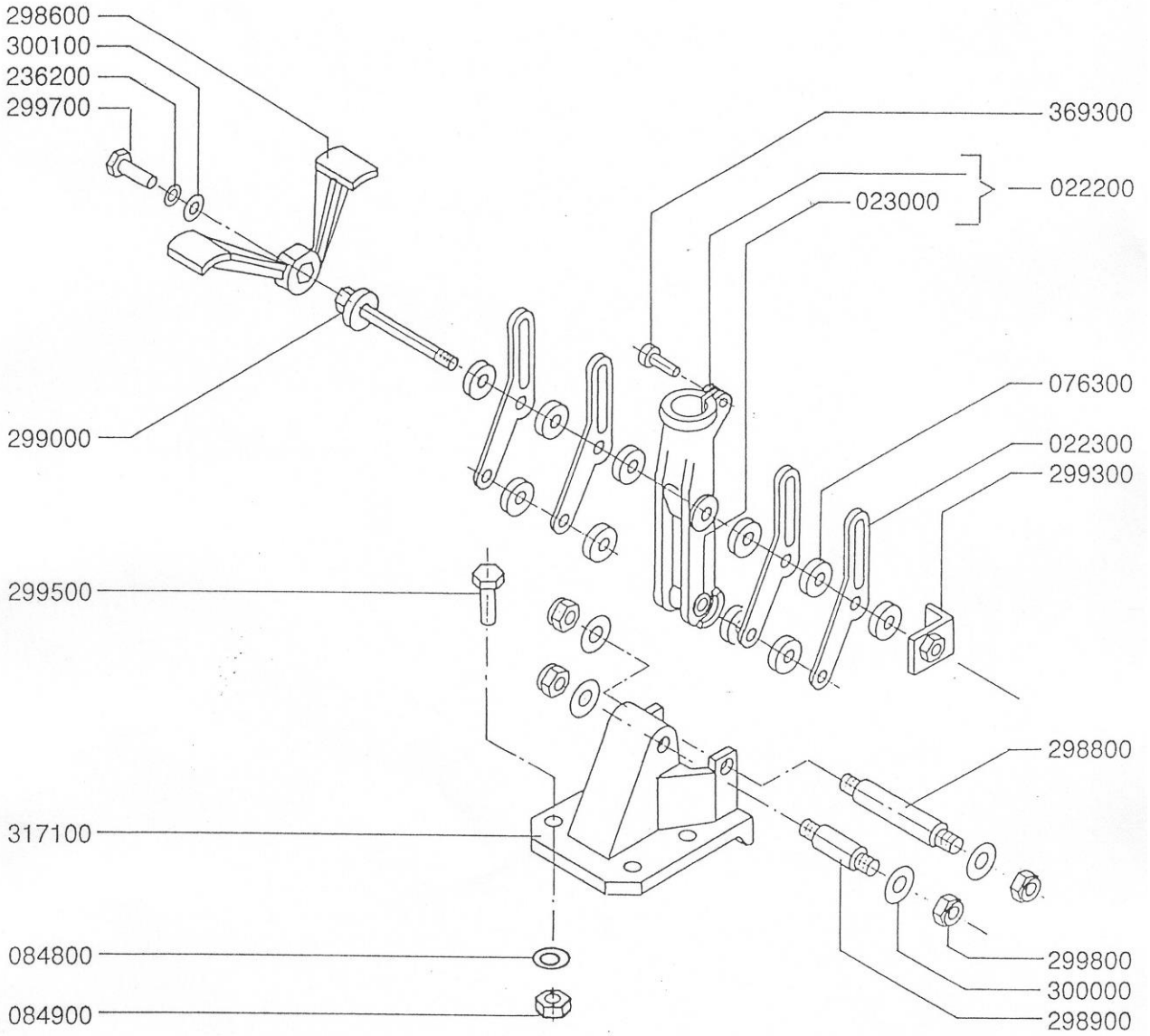
# **STR701-1**

## **Operating Manual**









## SPECIFICATION SHEET

Specifications			
Type	110v	220v	380/415v
Part Number	STR701-1	STR701-2	STR701-3
Power Output	2hp	2hp	2hp
Voltage	110	220	380/415
Cycles	50hz	50hz	50hz
Head Speed (rpm)	145	145	72/145
Machine Dimensions (mm)			
Length	580	580	580
Width	470	470	470
Height	1250	1250	1250
Weight (kg)	61	61	61
Working width (mm)	460	460	460
Working distance from wall (mm)	10	10	10

Machine	Volts	Plug Size	Cable Size	Norm Cable Length	Transformer	Generator
STR701-1	110	32 Amp 3 Pin	4.0 - 3 Core	30 metres	5 kva	7 kva
STR701-2	220	16 Amp 3 Pin	2.5 - 3 Core	30 metres	-	7 kva
STR701-3	380/415	16 Amp 5 Pin	2.5 - 3 Core	70 metres	-	7 kva