

FIGURE 4 - PARTS LIST: MK-6036KB CONCRETE SAW P/N 165149-36

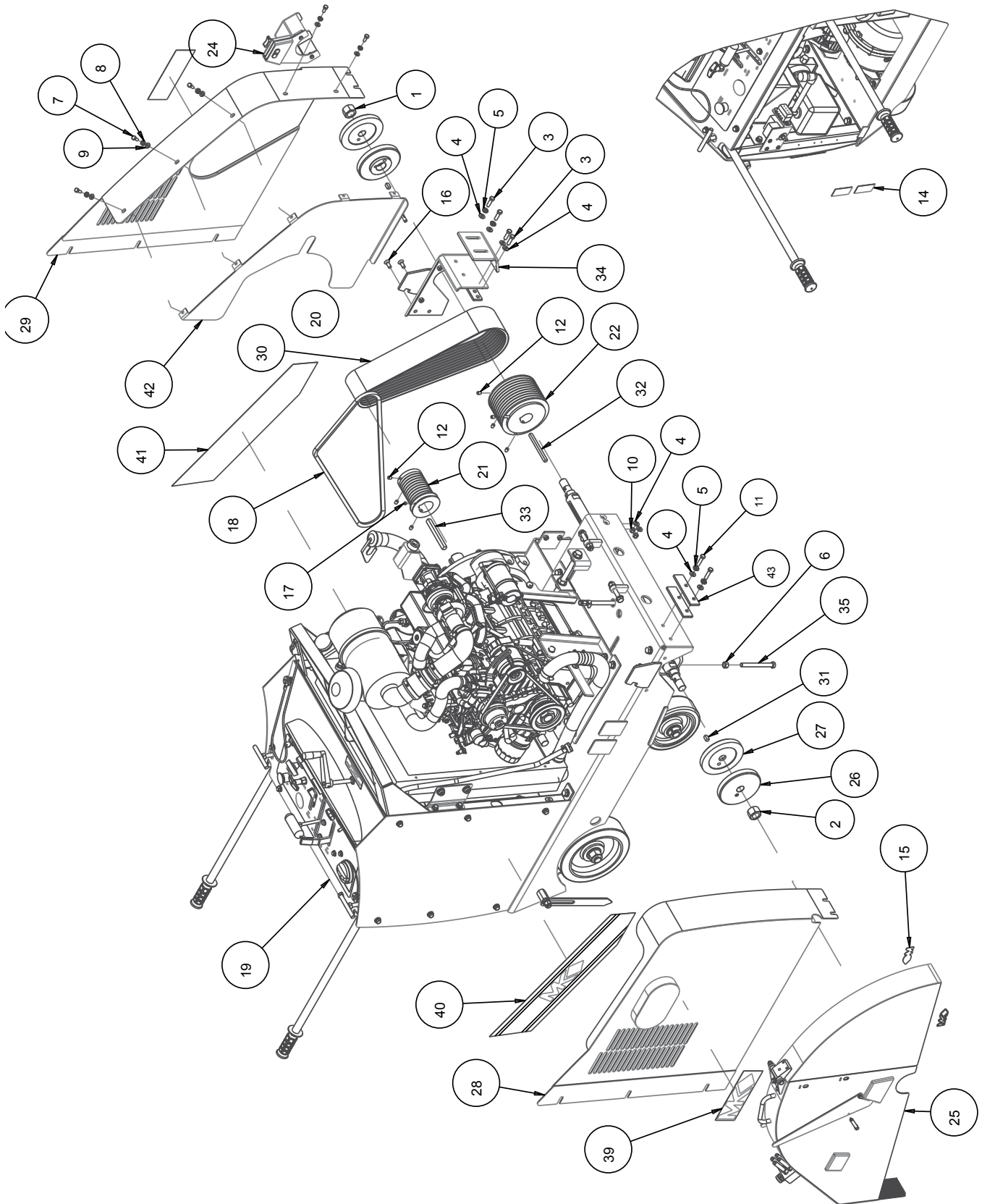
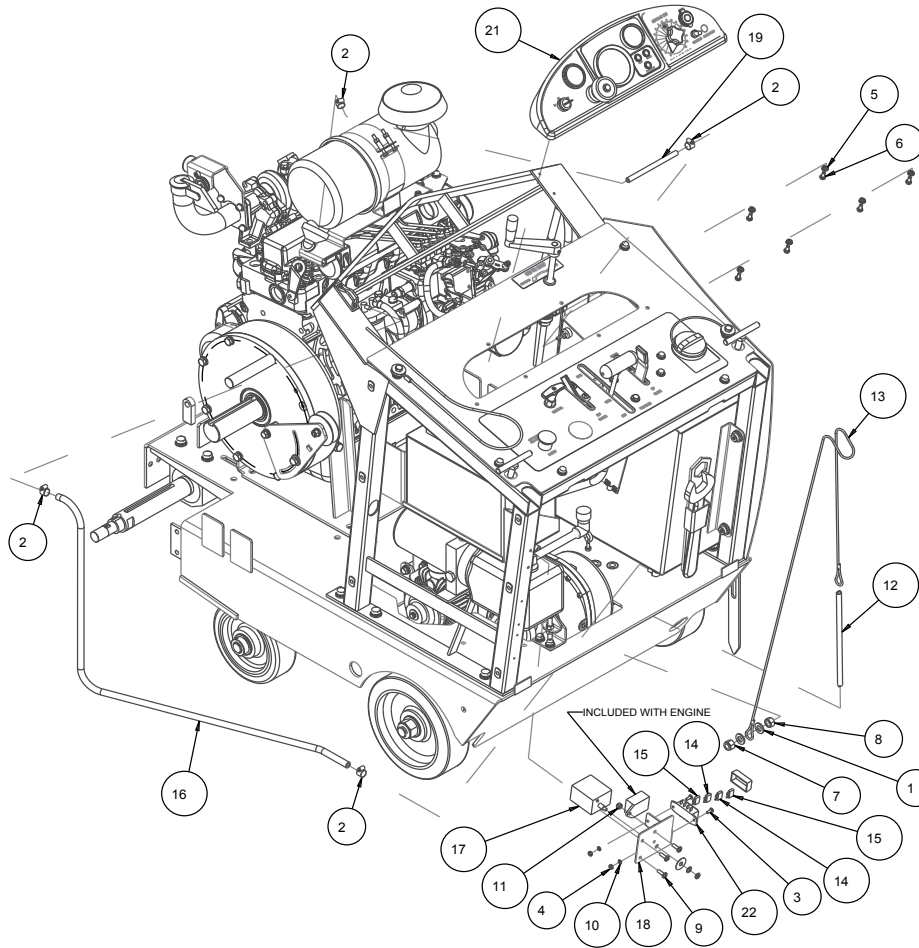


FIGURE 4 - PARTS LIST: MK-6036KB CONCRETE SAW P/N 165149-36

ITEM	DESCRIPTION	PART #	QTY
1	NUT, 1 - 14 RIGHT HAND	138693	1
2	NUT, 1 - 14 LEFT HAND	138701	1
3	SCREW, 3/8 - 16 X 1 -1/4 HEX HEAD CAP	150774	4
4	WASHER, FLAT, SAE, 3/8	150923	8
5	WASHER, LOCK, SPLIT, 3/8	150925	4
6	NUT, 1/2 - 13 HEX	151282	1
7	SCREW, HEX HD CAP, 5/16 - 18 X 3/4	151369	5
8	WASHER, LOCK, SPLIT, 5/15	151747	5
9	WASHER, FLAT, SAE, 5/16	150754	5
10	NUT, 3/8 - 16 NYLOK HEX	152505	2
11	SCREW, HEX HEAD, 3/8 - 16 X 1-1/2	153528	2
12	SCREW, SET, SOC, CUPT, 3/8 - 16 X 1/2	153710	7
13	CARD, WARRANTY REGISTER SAW	155037	1
14	TAG, SERIAL NUMBER, BLANK	157500-RW	2
15	LOGO, MK ADHESIVE	157914	2
16	SCREW, 3/8 - 16 X 1 FLATHEAD MACHINE	162067	2
17	SCREW, 3/8 - 16 X 3/8 SOCKET HEAD SET, CUP POINT	163261	1
18	BELT, A63	162979	1
19	ASSY, 6000KB 59HP, PARENT	165149	1
20	CORNER, FRAME 36"	165458-36	1
21	PULLEY, 103VX3.4 X 2BORE	165463	1
22	PULLEY, 103VX5.8 X 1 - 3/4BORE	165467	1
23	SHEET, WARNING LABELS, CONCRETE	166009	1
24	ASSY, SHAFT GUARD	166056	1
25	ASSY, BLADE GUARD 36"	168279-36-WH	1
26	ASSY, FLANGE, KEYED, OUTER, 6"	168596-6	2
27	FLANGE, KEYED, INNER 6"	168598-6	2
28	COVER, ENGINE, RIGHT, 6000KB	168934	1
29	COVER, ENGINE, LEFT, 59KB	168935	1
30	BELT, 10/3VX 500	169214-10	1
31	KEY, SQR, 3/8 X 3/4	169371	2
32	KEY, 3/8 SQUARE X 5	169566	1
33	KEY, 1/2 SQUARE X 5.25	169567	1
34	PLATE, BELT PROTECTOR	169568	1
35	SCREW, HEX HD, TAP, 1/2-13 X 5	169570	1
36	OWNER'S MANUAL, MK-6000KB	169572	1
37	PARTS MANUAL, MK-6000KB	169573	1
38	SHEET, LABEL, MK-LOGO	169574	1
39	LABEL, MK-LOGO	169574_01	2
40	LABEL, RIGHT TOWER	169574_02	1
41	LABEL, LEFT TOWER	169574_03	1
42	GUARD, BELT, INNER, C59	169652	1
43	SPACER, ENGINE COVER	170784	2

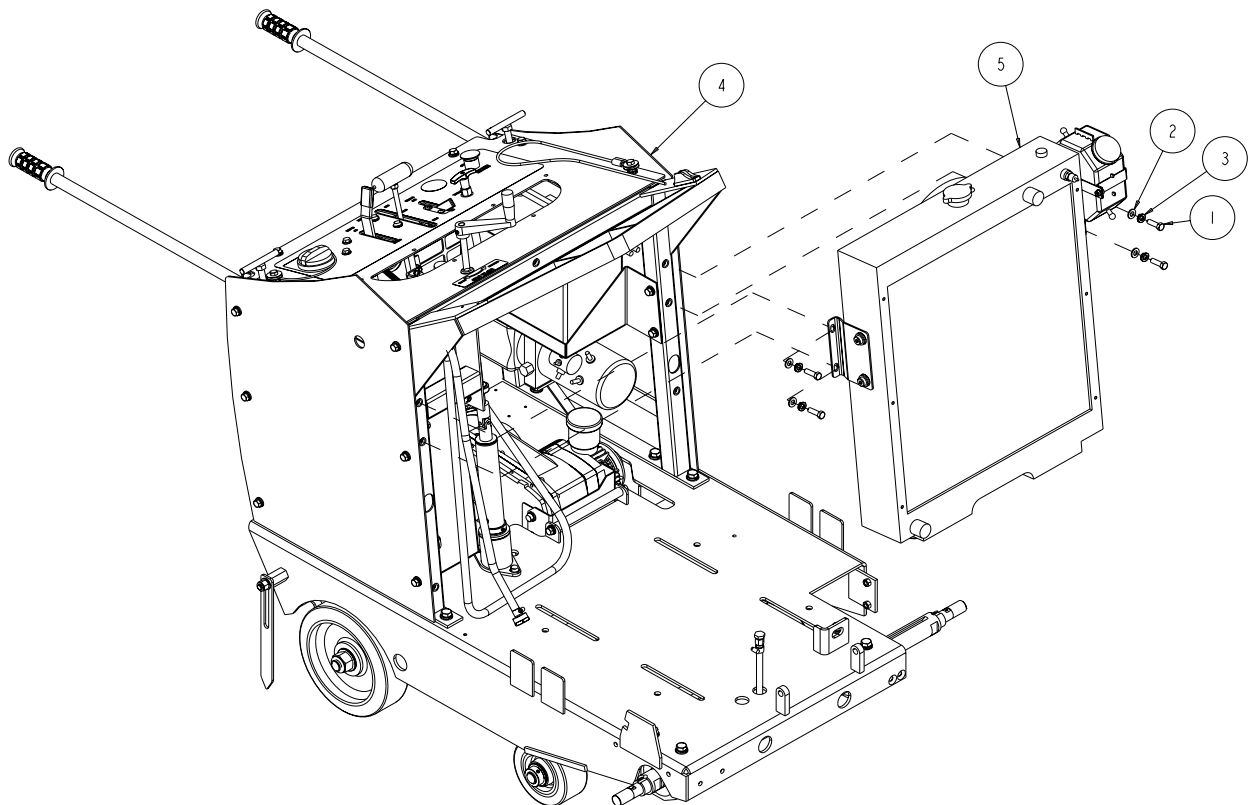
FIGURE 5 - PARTS LIST: MK-6000KB CONCRETE SAW P/N 165149



ITEM NO.	DESCRIPTION	PART #.	QTY. REQ.
1	WASHER, 1/2 SAE FLAT	150924	2
2	CLAMP, 5/8 HOSE	151198	4
3	SCREW, PAN HD 10 - 24 X 12	151744	2
4	NUT, HEX, 10 - 24	151749	2
5	WASHER, 1/4 SPLIT LOCK	152591	6
6	SCREW, 1/4 - 20 X 1/2 HEX HEAD	152608	6
7	NUT, 1/2 - 13 NYLOK HEX	155162	1
8	NUT, 1/2 - 13 CENTERLOCK HEX	156279	1
9	SCREW, PAN HD, 1/4 - 20 X 3/4	157523	3
10	WASHER #10, IT	158336	2
11	NUT, HEX, NYLK, 1/4 - 20	159857	1
12	SPRING, .44 X 10.3 X .04 155603 1 EXTENSION	162627	1
13	CABLE, 52" DEPTH INDICATOR	162628	1

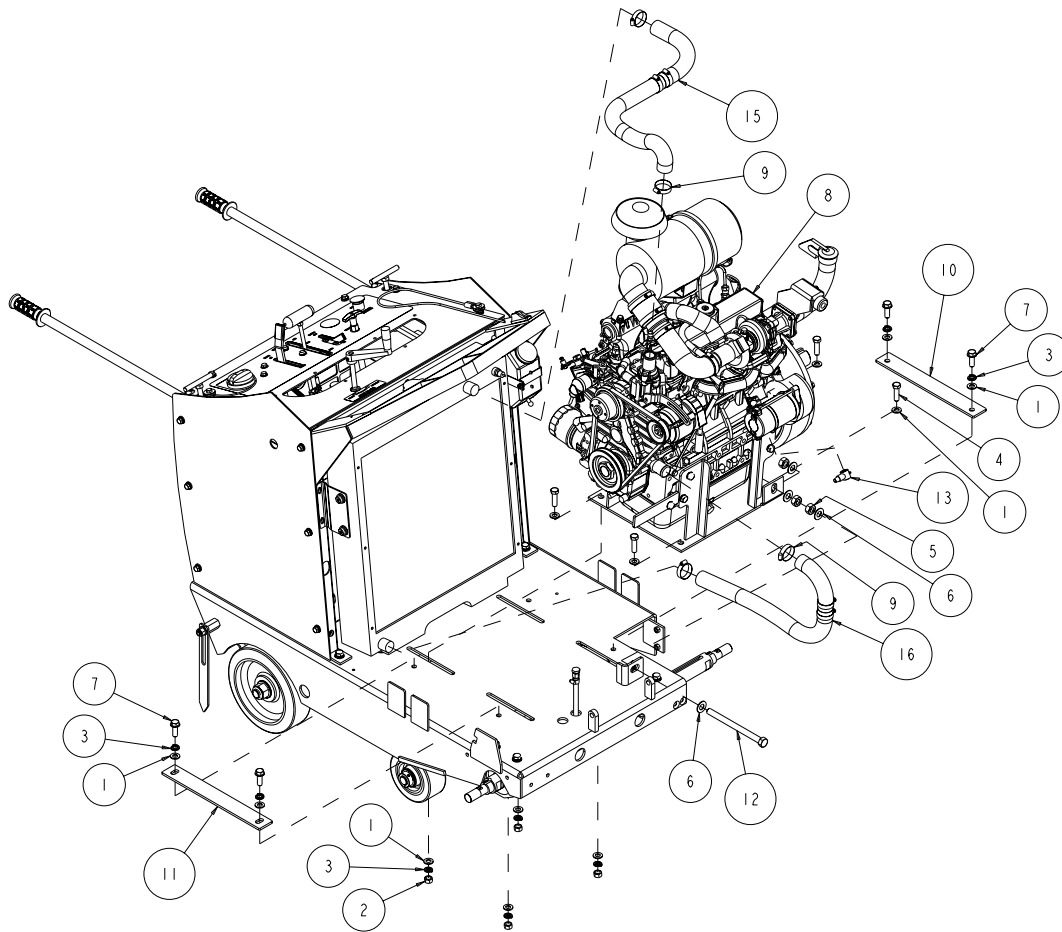
FIGURE 5 - PARTS LIST: MK-6000KB CONCRETE SAW P/N 165149

ITEM NO.	DESCRIPTION	PART #.	QTY. REQ.
14	FUSE, 10A ATC BLADE	164597	2
15	FUSE, 5A ATC BLADE	164598	2
16	HOSE, 5/16 FUEL, 48"	164958	1
17	SWITCH, MAGNETIC, 12/24V, MDL117	167502	1
18	BRACKET, FUSEBOX, KB	167536	1
19	HOSE, FUEL, 3/16 ID (6.0')	167674	1
20	ANTIFREEZE/COOLANT (1.5 GAL)	167692	1
21	ASSY, INSTRUMENT PANEL, KB	169142	1
22	BLOCK, FUSE, 4-SLOT	169148	1
23	WIRE HARNESS, KB2403	169563	1



ITEM NO.	DESCRIPTION	PART #.	QTY. REQ.
1	SCREW, 3/8 - 16 X 1 - 1/4 HEX HEAD CAP	150774	4
2	WASHER, FLAT, SAE, 3/8	150923	4
3	WASHER, LOCK, SPLIT, 3/8	150925	4
4	ASSY, 6000 LESS ENGINE	165151	1
5	ASSY, RADIATOR	169103	1

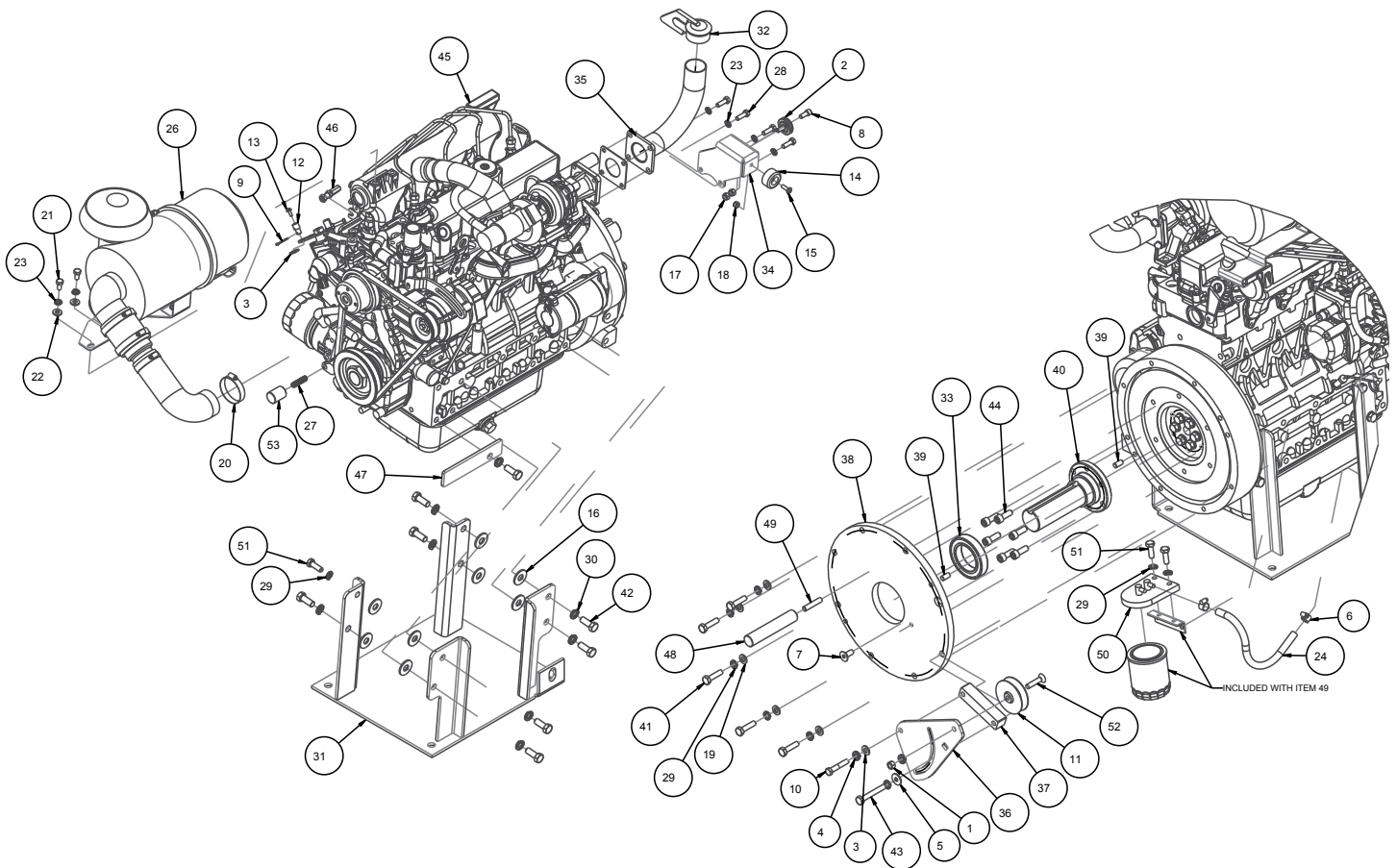
FIGURE 5 - PARTS LIST: MK-6000KB CONCRETE SAW P/N 165149



ITEM NO.	DESCRIPTION	PART #	QTY. REQ.
1	WASHER, 1/2 SAE FLAT	150924	12
2	NUT, 1/2 - 13 HEX	151282	4
3	WASHER, 1/2 SPLIT LOCK	153524	8
4	SCREW, 1/2 - 13 X 1 - 3/4 HEX HEAD CAP	153853	4
5	NUT, HEX JAM 5/8 - 11 UNC	155603	3
6	WASHER, FLAT, 5/8 SAE	158350	5
7	SCREW, 1/2 - 13 X 1 - 1/2 HEX FLANGE HEAD, RIGHT HAND	160819	4
8	ASSY, ENGINE, KUBOTA 59	165153	1
9	CLAMP, 1 - 1/16 TO 2 HOSE	167617	4
10	BRACKET, ENG GUIDE, LEFT	168295	1
11	BRACKET, ENG GUIDE, RIGHT	168296	1
12	SCREW, HEX, TAP, 5/8 - 11 X 8	169110	1
13	COVER, 8 - 4 AWG TERMINAL, RED	169355	1
14	HOSE, SET, RAD, UPPER AND LOWER, KB2403	169396	1
15	HOSE, RAD, UPPER, KB2403	169396-01	1
16	HOSE, RAD, LOWER, KB2403	169396-02	1



FIGURE 6 - PARTS LIST: ASSY, ENGINE, KUBOTA, MK6000 P/N 165153

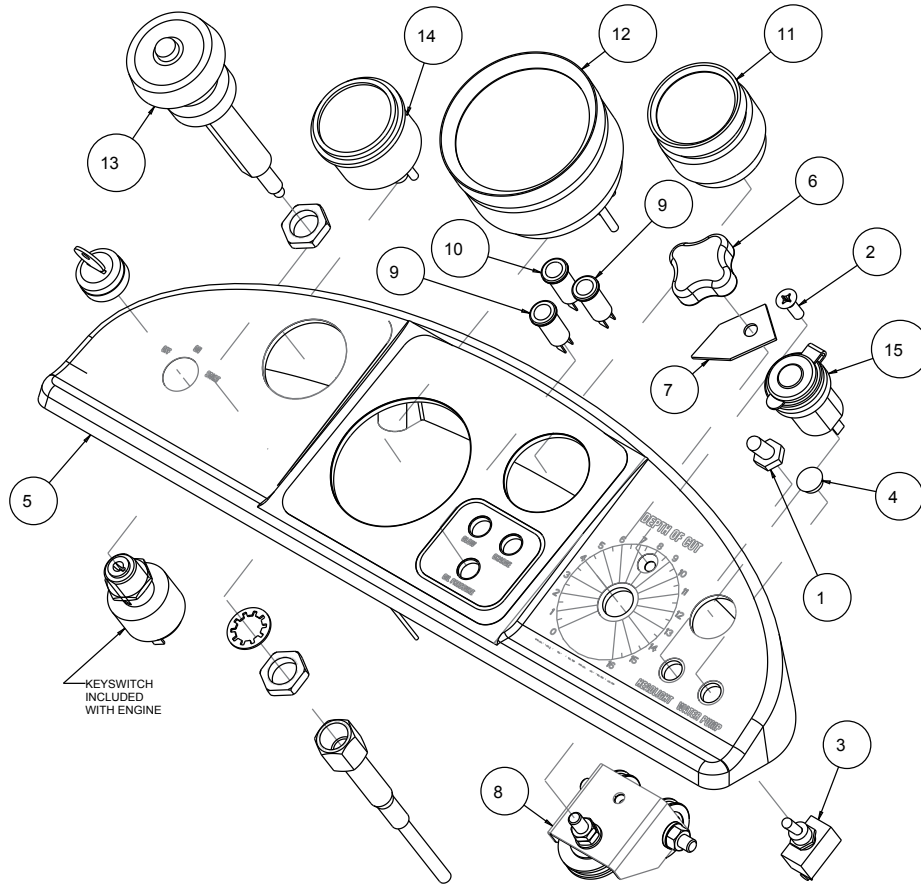


ITEM NO.	DESCRIPTION	PART #	QTY. REQ.
1	NUT, HEX, 3/8 - 16	101188	1
2	WHEEL, CONVEYOR CART	133090	1
3	WASHER, 3/8 SAE FLAT	150923	2
4	WASHER, 3/8 SPLIT LOCK	150925	2
5	WASHER, FENDER, 5/16 X 1.0	151053	1
6	CLAMP, 5/8 HOSE	151198	2
7	SCREW, FLAT HD, ALN, M10 - 1.5 X 25MM	151752	1
8	SCREW, SOC HD, 5/16 - 18 X 3/4	152444	1
9	PIN, 1/16 X 3/4 COTTER	152518	1
10	SCREW, HEX HD, 3/8 - 16 X 2	153485	1
11	PULLEY, IDLER, BV3001, W/CSINK	153797-CS	1
12	PIN, WIRE STOP	153842	1
13	SCREW, HEX HD FL 10 - 24X 5/16	154172	1
14	BUMPER, 1/4 ID X 1 - 1/20D X 3/4	154496	1
15	SCREW, PAN HD, 1/4 - 20 X 3/4	157523	1

ITEM NO.	DESCRIPTION	PART #	QTY. REQ.
16	WASHER, FLAT, USS, 1/2	157679	8
17	NUT, HEX, NYLK, 5/16 - 18	158289	2
18	NUT, HEX, NYLK, 1/4 - 20	159857	1
19	WASHER, FLAT, M10	160203	5
20	CLAMP, HOSE, 1 - 15/16 TO 2 - 1/4	162816	1
21	SCREW, HEX HD, M8 - 1.25 X 16MM	164223	2
22	WASHER, FLAT, M8	164855	2
23	WASHER, LOCK, SPLIT, M8	164860	6
24	HOSE, 5/16 FUEL, 12"	164958	1
25	OIL, 10 - 40 SAE MOTOR (1QT)	164970	6
26	ASSY, AIR CLEANER, KB2403	165290	1
27	SCREW, SET M10 X 1.5 C 40MM	167179	1
28	SCREW, HEX, M8 - 1.25 X 25MM	167512	4
29	WASHER, LOCK, SPLIT, M10	167515	9
30	WASHER, LOCK, SPLIT, M12	167516	8
31	MONUT, ENGINE,KB2403	168563	1
32	CAP, WEATHER, 1 - 3/4 EXHAUST	168884	1
33	BEARING, BALL, 60 X95 X 18, 6012 - 2NSE	169029	1
34	BRACKET, POINTER STOP, KB2403	169030	1
35	PIPE, 1 - 3/4 EXHAUST, KB2403	169031	1
36	ARM, IDLER, TIGHT SIDE	169032	1
37	BLOCK, IDLER, KB2403	169033	1
38	PLATE, OUTBOARD BEARING, KB2403	169034	1
39	PIN, DOWEL, M10 X 20MM	168035	2
40	SHAFT, PTO, KB2403	169036	1
41	SCREW, HEX, M10 - 1.5 X 40MM	169037	5
42	SCREW, HEX, M12 - 1.25 X 30MM	169038	8
43	SCREW, HEX, M10 - 1.5 X 70MM	169039	1
44	SCREW SOC, 7/16 - 20 X 1 -1.4	169040	6
45	ENGINE, KUBOTA, V2403, 59HP (COMP)	169041	1
46	FITTING, THROTTLE CABLE END	169042	1
47	STANDOFF, ENG COVER, 2403, RH	169043	1
48	STANDOFF, ENG COVER, 2403, LH	169044	1
49	SCREW,SET M10 - 1.5 X 50MM	169045	1
50	KIT, FUEL FILTER, KB2403	169146	1
51	SCREW, HEX HD, M10 - 1.25 X 30MM	169395	3
52	SCREW, 3/8 - 16 X 1 - 3/4 FLAT HEAD SOCKET	169561	1
53	STAND OFF, ENG COVER, 2403, RH2	169955	1

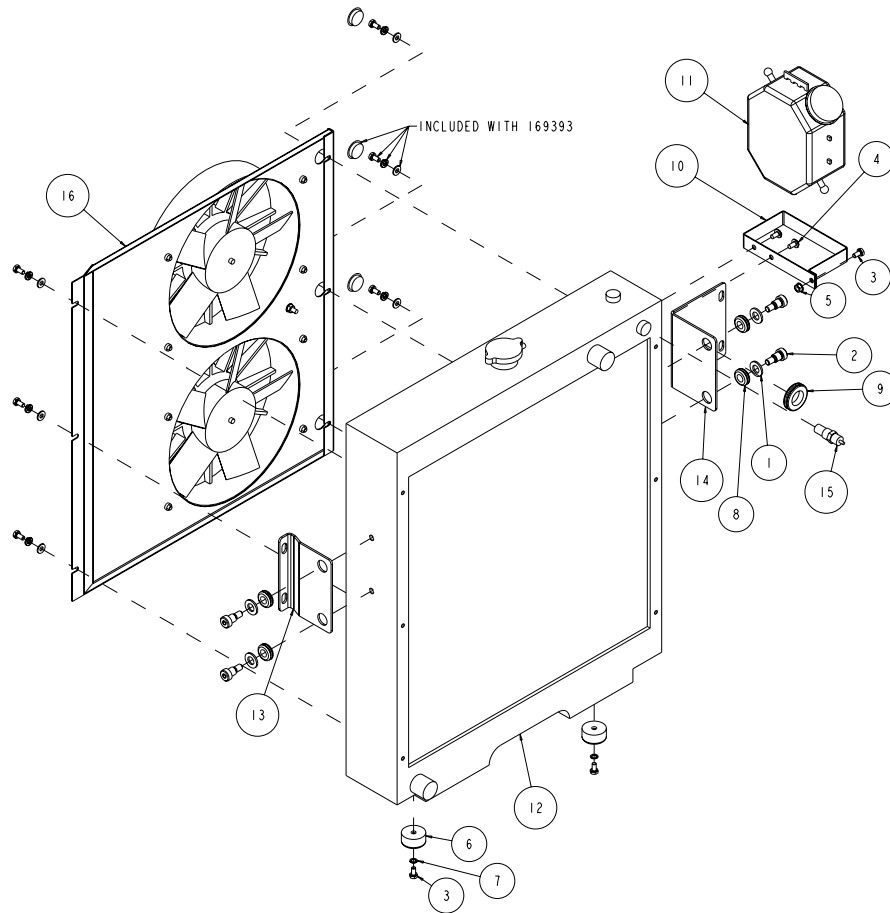


FIGURE 8 - PARTS LIST: ASSY, INSTRUMENT PANEL P/N 169142



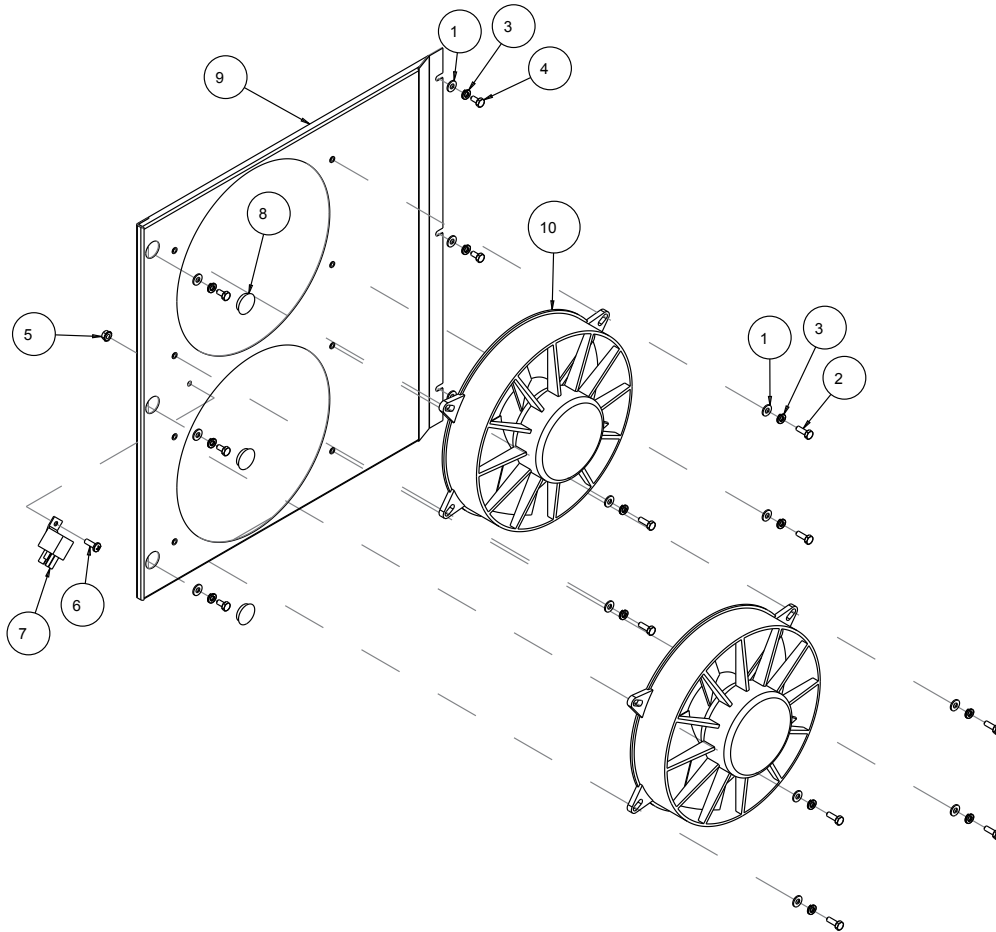
ITEM NO.	DESCRIPTION	PART #	QTY. REQ.
1	COVER, SWITCH	154301	1
2	SCREW, FLAT HD, 1/4 - 20 X 3/4	154657	1
3	SWITCH, TOGGLE 15A/120V 1 PST	156649	1
4	PLUG, 1/2 FLUSH HEAD BUTTON	156779	1
5	CASTING, INSTR PNL, KB-COMP	160909-KB	1
6	KNOB, DEPTH INDICATOR (COMP)	162629	1
7	POINTER, DEPTH INDICATOR	162630	1
8	ASSY, DEPTH INDICATOR	162881	1
9	LIGHT, 1/2" DIA. PANEL, RED	163938	2
10	LIGHT, 1/2" DIA, PANEL, GREEN	163939	1
11	GAUGE, FUEL, ANALOG	164151	1
12	GAUGE, TACH, DIESEL	164152-D	1
13	CONTROL, THROTTLE-COMP	169143	1
14	GAUGE, TEMP, 2"	167501	1
15	RECEPTACLE, 12VDC	169571	1

FIGURE 9 - PARTS LIST: ASSY, RADIATOR P/N 169103



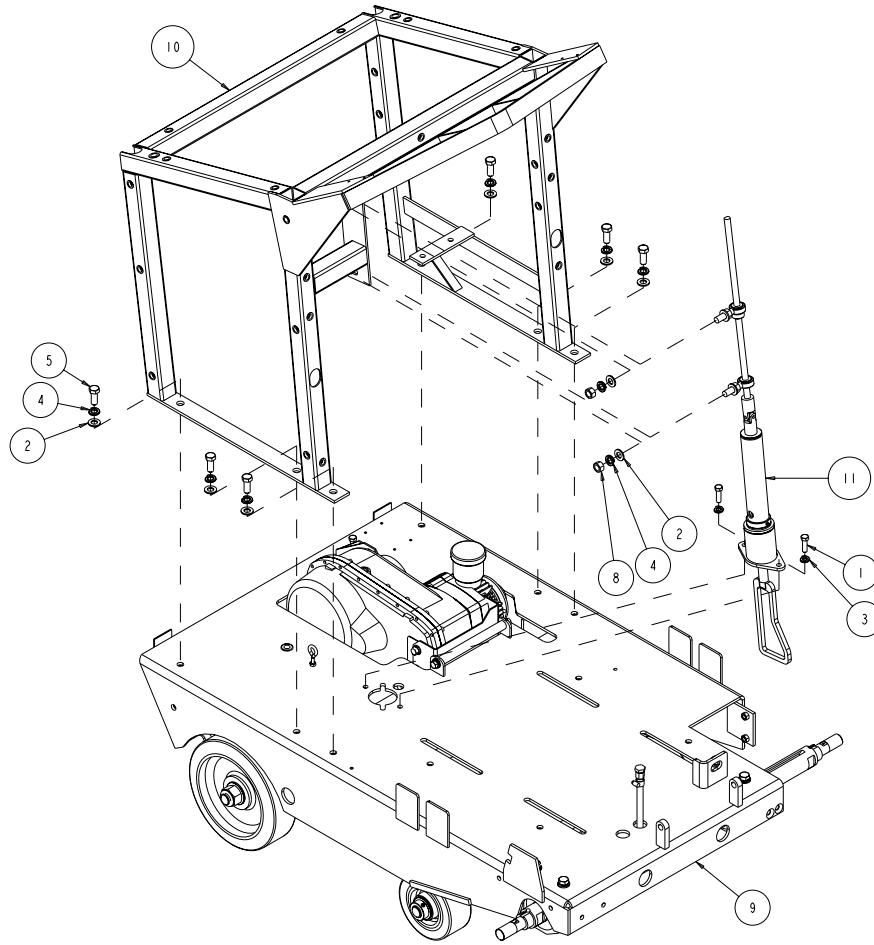
ITEM NO.	DESCRIPTION	PART #	QTY. REQ.
1	WASHER, 1/2 SAE FLAT	150924	4
2	SCREW, SHOULDER, 1/2 X 1/2	151753	4
3	SCREW, 1/4 - 20 X 1/2 HEX HEAD	152608	3
4	SCREW, 1/4 - 20 X 1/2 TRUSS HEAD	153880	2
5	NUT, HEX, TW, 1/4 - 20	153941	1
6	BUMPER, 1/4 ID X 1 - 1/200 X 3/4	154496	2
7	WASHER, LOCK, 1/4 INT TOOTH	162490	2
8	GROMMET 1/2 X 1.0	164207	4
9	GROMMET, 1 X 1 - 3/4 X 3/32	165185	1
10	BRACKET, RADIATOR BOTTLE	167208	1
11	RESERVOIR, COOLANT	167209	1
12	RADIATOR, 4 - CORE, 23 X 27.5	168726	1
13	BRACKET, RADIATOR, RH	169106	1
14	BRACKET, RADIATOR, LH	169107	1
15	SWITCH, TEMP, 185 DEG, 3/8PT	169295	1
16	FAN, DUAL, 12VDC, COMP	169393	1

FIGURE 10 - PARTS LIST: ASSY, RADIATOR FAN P/N 169393



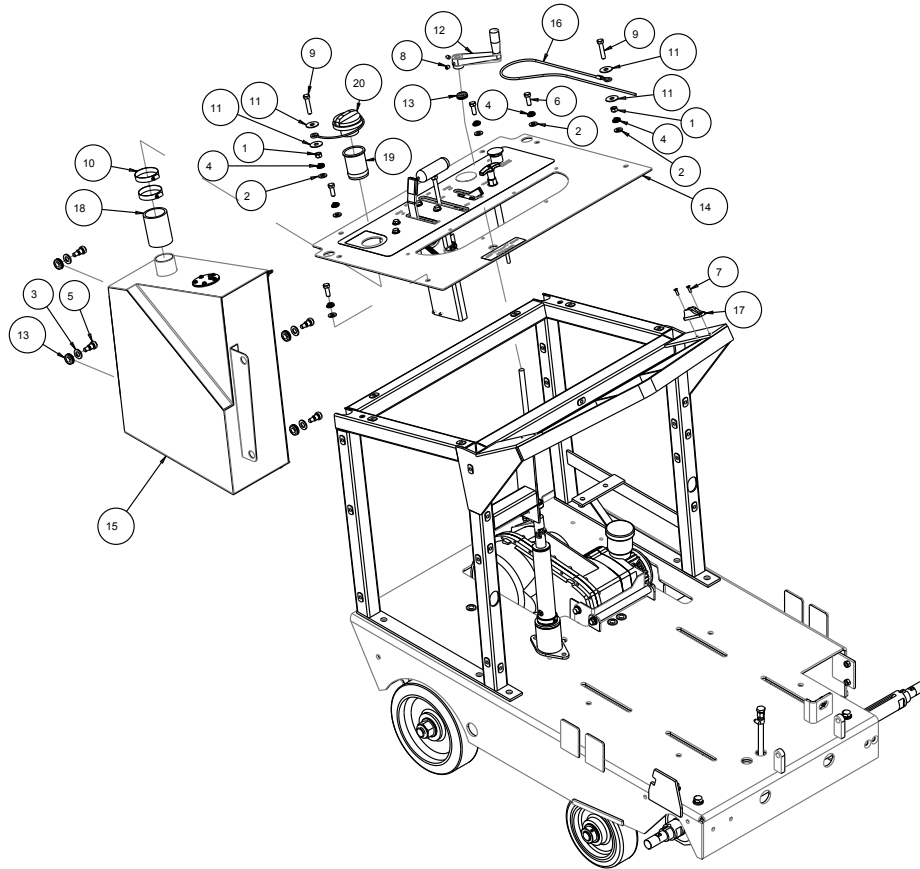
ITEM NO.	DESCRIPTION	PART #	QTY. REQ.
1	WASHER, 1/4 SAE FLAT	151915	14
2	SCREW, HEX HD, 1/4 - 20 X 3/4	152370	8
3	WASHER, 1/4 SPLIT LOCK	152591	14
4	SCREW, 1/4 - 20 X 1/2 HEX HEAD	152608	6
5	NUT, HEX, TW, 1/4 - 20	153941	1
6	SCREW, PAN HD, 1/4 - 20 X 3/4	157523	1
7	RELAY, 12V, 70A	164969	1
8	PLUG, HOLE PLASTIC 1.0"	167941	3
9	SHROUD, RADIATOR, DUAL 11" FAN	169105	1
10	FAN, RADIATOR, 11" DIA, 120DC	169387	2
11	WIRE HARNESS, DUAL FAN	169728	1

FIGURE 11 - PARTS LIST: ASSY, MK-6000 SUB A P/N 165151



ITEM NO.	DESCRIPTION	PART#	QTY. REQ.
1	SCREW, 3/8-16 X 1-1/4 HEX HEAD CAP	150774	2
2	WASHER, 1/2 SAE FLAT	150924	8
3	WASHER, 3/8 SPLIT LOCK	150925	2
4	WASHER, 1/2 SPLIT LOCK	153524	8
5	SCREW, 1/2 - 13 X 1 - 1/4 HEX HEAD CAP	153532	6
6	NUT, 1/2 - 13 NYLOK HEX	155162	1
7	SCREW, HEX HD, TAP, 1/2 - 13 X 4	156626	1
8	NUT, 1/2 - 20 HEX	162586	2
9	ASSY, MAIN FRAME	165160	1
10	TOWER	165289	1
11	ASSY, DEPTH STOP	165602	1

FIGURE 12 - PARTS LIST: ASSY, MK-6000 SUB B P/N 165151



ITEM NO.	DESCRIPTION	PART #	QTY. REQ.
1	NUT, HEX, 3/8 - 16	101188	2
2	WASHER, 3/8 SAE FLAT	150923	6
3	WASHER, 1/2 SAE FLAT	150924	4
4	WASHER, 3/8 SPLIT LOCK	150925	6
5	SCREW, SHOULDER, 1/2 X 1/2	151753	4
6	SCREW, HEX HD CAP, 3/8 - 16 X 1	152507	4
7	SCREW, FLAT HD 10-24 X 5/8	154295	2
8	SCREW, 5/16-18 3/8 SOCKET HEAD SET	157083	2
9	SCREW, 3/8 - 16 X 1 - 3/4 HEX HD	158398	2
10	CLAMP, HOSE, 1 - 5/16 TO 2 - 1/4	162816	2
11	WASHER, FENDER, 3/8 ID X 1-1/2 OD	163269	4
12	HANDLE, DEPTH STOP (COMP)	163987	1
13	GROMMET 1/2 X 1.0	164207	5
14	ASSY, CONTROL PANEL	165336	1
15	ASSY FUEL TANK, DIESEL	165601	1
16	ASSY, CABLE, POINTER	165739	1
17	CLEAT, 1/8" CABLE	165740	1
18	HOSE, 2.0 ID FUELFILL (COMP)	167213	1
19	NECK, 2" FUEL FILLER	167219-D	1
20	CAP, 2" FUEL FILLER	167220	1

FIGURE 13 - PARTS LIST: ASSY, MK-6000 SUB C P/N 165151

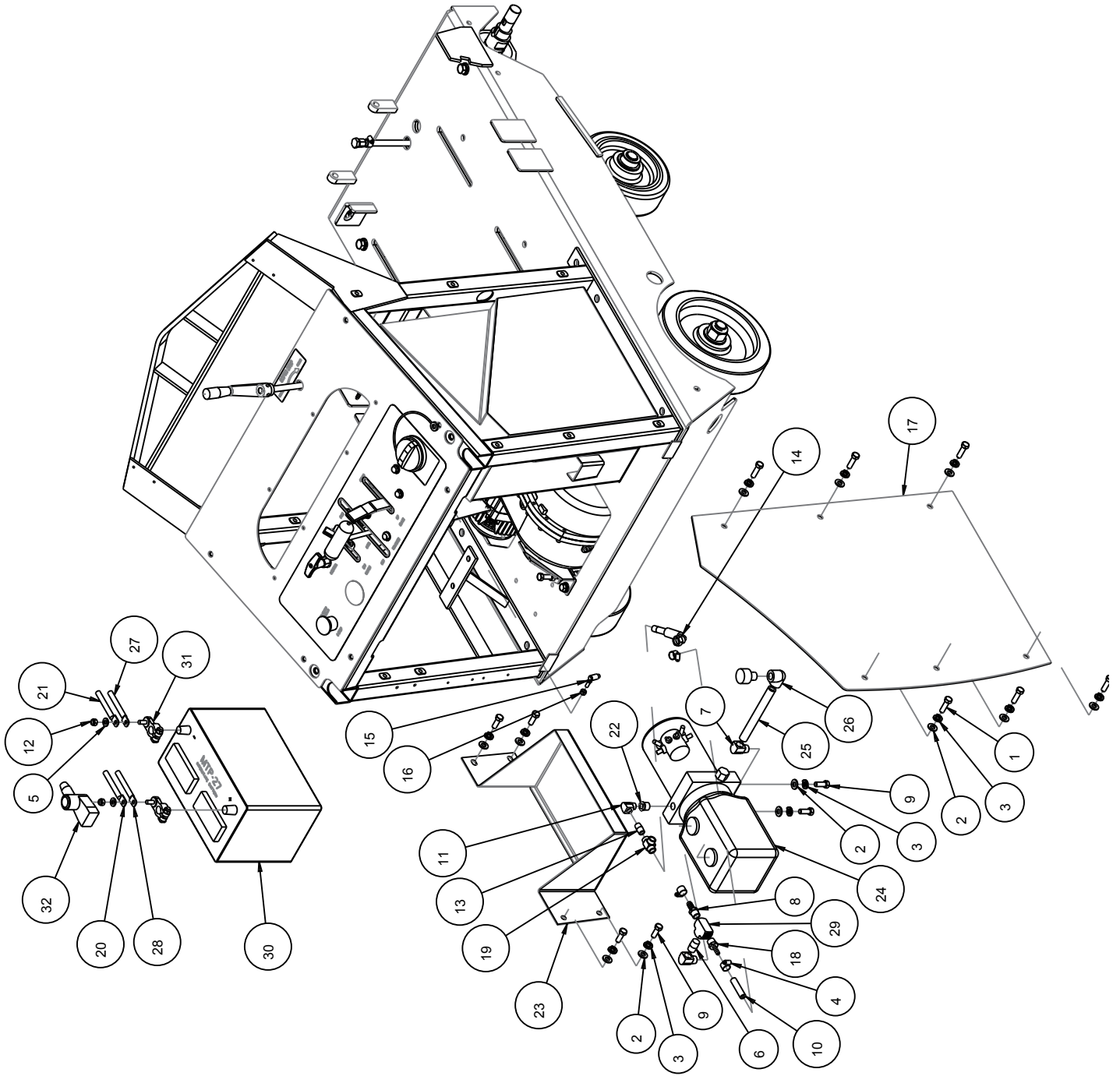
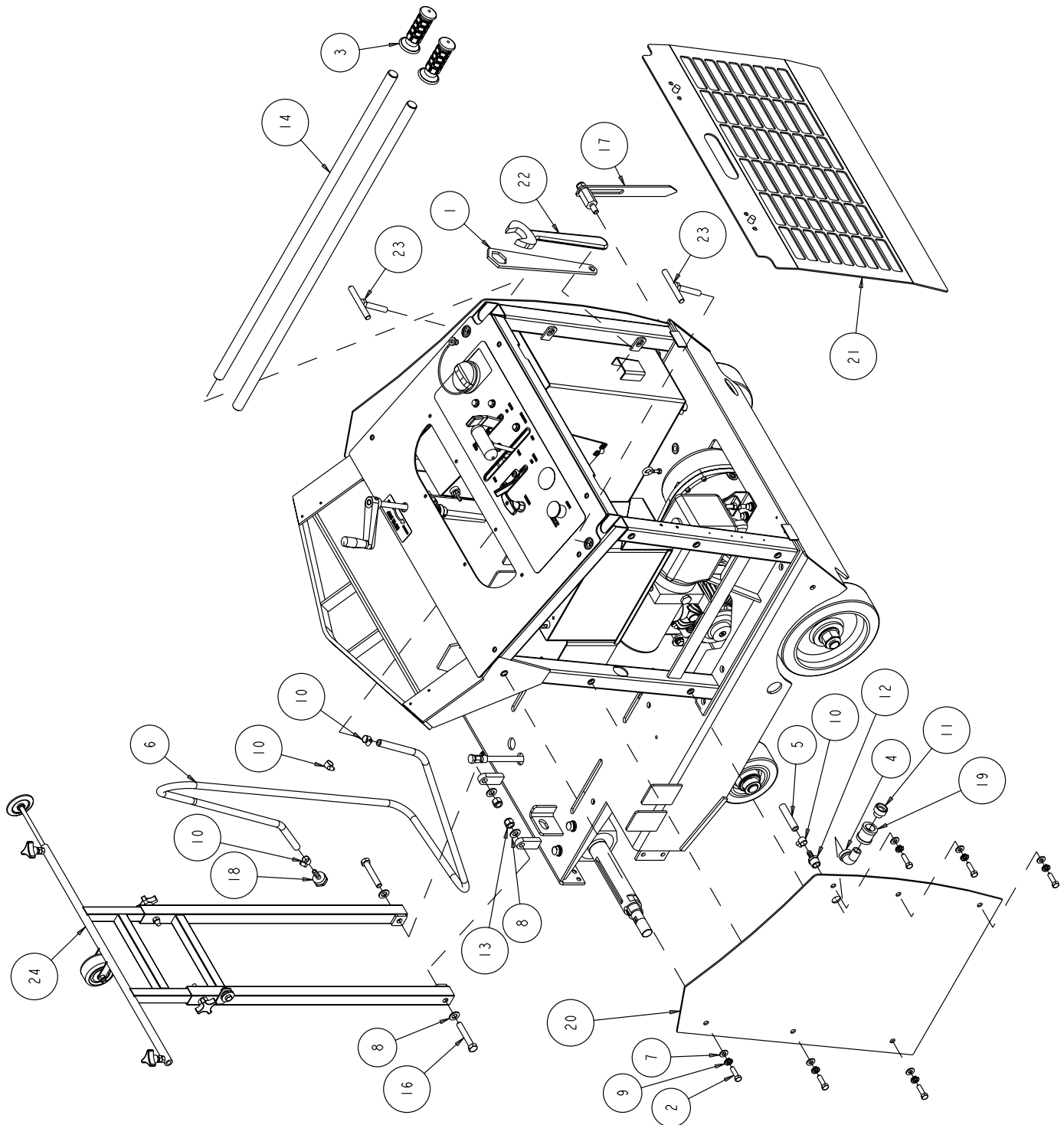


FIGURE 13 - PARTS LIST: ASSY, MK-6000 SUB C P/N 165151

ITEM NO.	DESCRIPTION	PART #	QTY. REQ.
1	SCREW, 3/8 - 16 X 1 - 1/4 HEX HEAD CAP	150774	6
2	WASHER, FLAT, SAE, 3/8	150923	12
3	WASHER, LOCK, SPLIT, 3/8	150925	12
4	CLAMP, 5/8 HOSE	151198	3
5	WASHER, FLAT, SAE, 5/16	151754	2
6	NIPPLE, 3.8 MNPT X CLOSE	152073	1
7	ELBOW, STREET, 3/8 NPT X 90, BRASS	152074	2
8	FITTING, 3.8 MNPT X 3.8 BARB	152076	1
9	SCREW, HEX HD CAP, 3/8 - 16 X 1	152507	6
10	HOSE, 1/4 FUEL, 36" LONG	154163	1
11	ELBOW, 1/4MNPT STREET	154615	1
12	NUT, HEX, NYLK, 5/16 - 18	158289	2
13	NIPPLE, 1/4 NPT X CLOSE, BRASS	159905	1
14	HOSE, 1/4NPT X 9/16JIC90 HYD	162600	1
15	BALL, JOINT, 30 SERIES	162859	1
16	NUT, HEX, NYLK, 1/4 - 28	163936	1
17	PANEL, TOWER R/H	165343	1
18	FITTING, 3/8 MNPT X 1/4 BARB, BRASS	167239	1
19	FITTING, TEE, 1/4 FNPT, BRASS	167272	1
20	CABLE, 4GA X 29 RED BATTERY	167273	1
21	CABLE, BATTERY, BLACK, 4GA 36"	167289	1
22	FITTING, 3/8 MNPT X 1/4 FNPT	167506	1
23	BOX, BATTERY, 90AH	168728	1
24	PUMP, HYDRAULIC	168752	1
25	NIPPLE, 3/8NPT X 6.0, PLAS	169372	1
26	ELBOW, 3/8NPT, PLAS	169373	1
27	CABLE, BATTERY, 4GA X 60 BLACK	169376	1
28	CABLE, BATTERY, 4GA X 65 RED	169378	1
29	TEE, 3/8NPT, BRASS	170387	1
30	BATTERY, 12 VOLT 90 AMP-HOUR	170457	1
31	TERMINAL, BATTERY, MARINE POST	170459	2
32	INSULATOR, BATTERY TERM, MARINE	170460	1

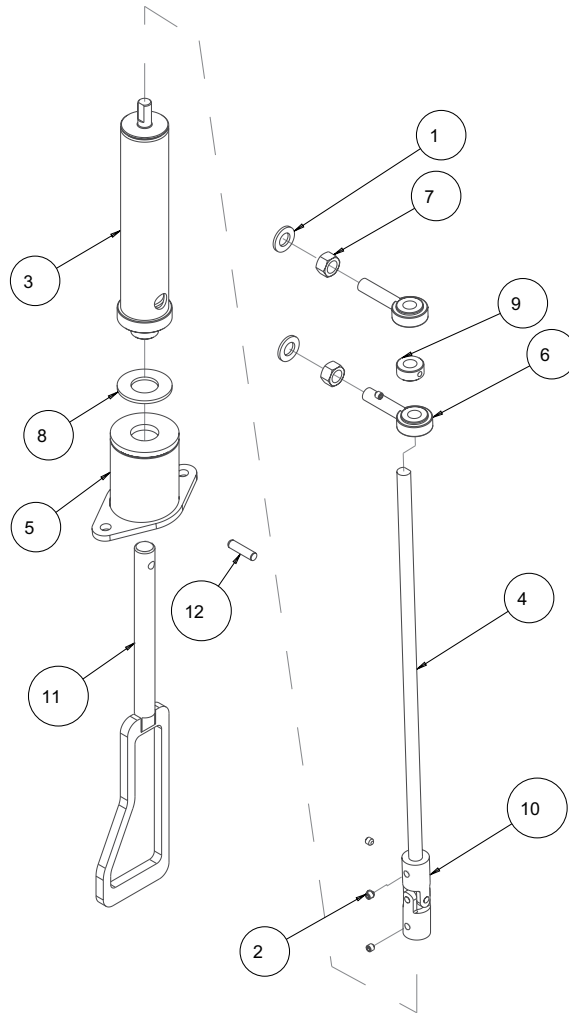
FIGURE 14 - PARTS LIST: ASSY, MK-6000 SUB D P/N 165151



**FIGURE 14 - PARTS LIST: ASSY, MK-6000 SUB D P/N 165151**

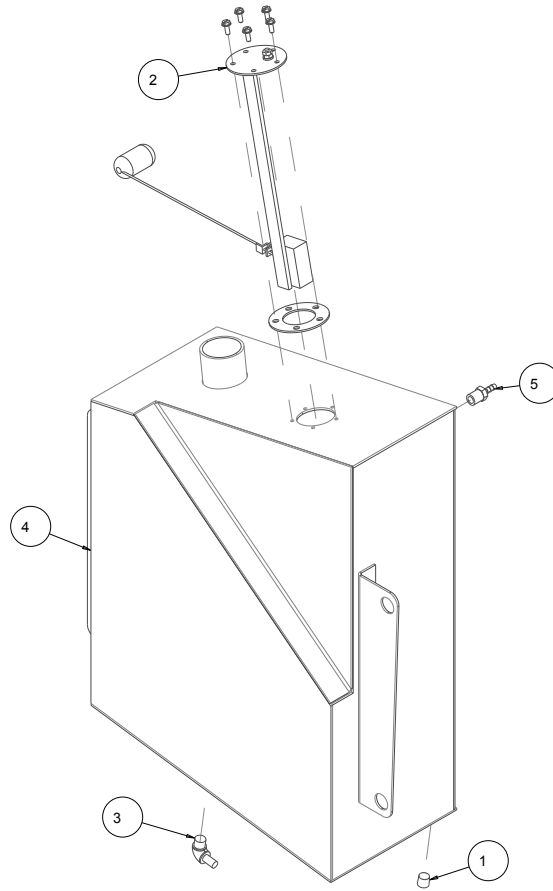
ITEM NO.	DESCRIPTION	PART #	QTY. REQ.
1	WRENCH, BOX END, 1 - 1/2 X 9/16	137976	1
2	SCREW, 3/8 - 16 X 1 - 1/4 HEX HEAD CAP	150774	6
3	GRIP, HANDLE, 1.0 ID	150842	2
4	ELBOW, 1/2 MNPT 90 STREET , GALV	150844	1
5	HOSE, 3/8 X 5/8 VINYL, 8"	150845	1
6	HOSE, 3/8 X 5/8 VINYL, 18"	150845	1
7	WASHER, FLAT, SAE, 3/8	150923	6
8	WASHER, 1/2 SAE FLAT	150924	4
9	WASHER, LOCK, SPLIT, 3/8	150925	6
10	CALMP, 5/8 HOSE	151198	4
11	FITTING, 1/2 MNPT X 3/8 FNH	151322	1
12	FITTING, 1/2 MNPT X 3/8 BARB	153653	1
13	NUT, 1/2 - 13 NYLOK HEX	155162	2
14	HANDLEBAR	161158	2
15	PALLET, 4000	162658	1
16	SCREW, HEX HD, CAP, 1/2 - 13 X 3	163216	2
17	ASSY, REAR POINTER	163824	1
18	FITTING, 3/4 X 11.5 FNH X 3/8 BARB	163991	1
19	FITTING, 1/2 NPT COUPLER	164208	1
20	PANEL, TOWER L/H	165342	1
21	ASSY, BACK PANEL, LATCHING	165344	1
22	WRENCH, 1 - 3/8 OPEN END	168750	1
23	KNOB, T-HANDLE, 1/2 - 13 X 2	168751	2
24	ASSY, POINTER, FRONT	169111	1

FIGURE 15 - PARTS LIST: ASSY, DEPTH STOP P/N 165602



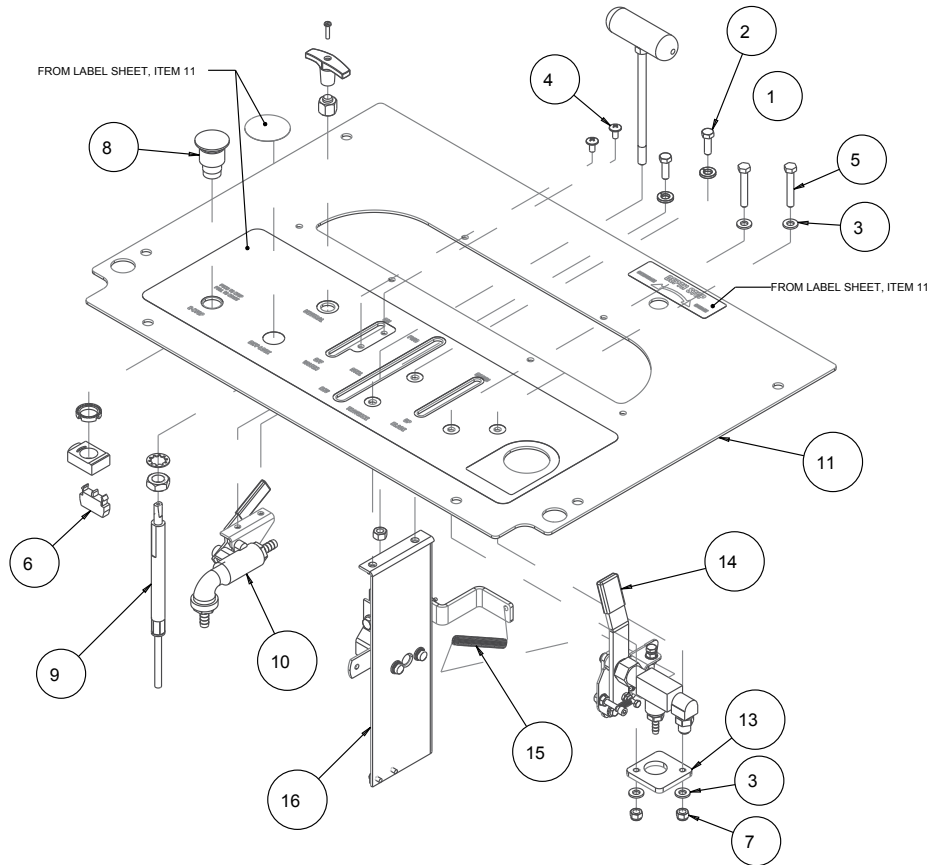
ITEM NO.	DESCRIPTION	PART #	QTY. REQ.
1	WASHER, 1/2 SAE FLAT	150924	2
2	SCREW, SET, CUP PT 5/16 - 18 X 1/4	152607	4
3	TUBE, DEPTH STOP	161138	1
4	ARM, DEPTH STOP LINKAGE	161156	1
5	CUP, DEPTH STOP	162582	1
6	ROD END, 1/2" BALL JOINT	162583	2
7	NUT, 1/2 - 20 HEX	162586	2
8	BEARING, 1 X 2 X 1/8 BRONZE THRUST	162623	1
9	COLLAR, SHAFT, 1/2	162633	1
10	U-JOINT, 1.0 OD X 0.5 ID (COMP)	163988	1
11	SCREW, DEPTH STOP	165288	1
12	PIN, 5/16 X 1-1/4 GROOVE	171037	1

FIGURE 16 - PARTS LIST: ASSY, FUEL TANK P/N 165601



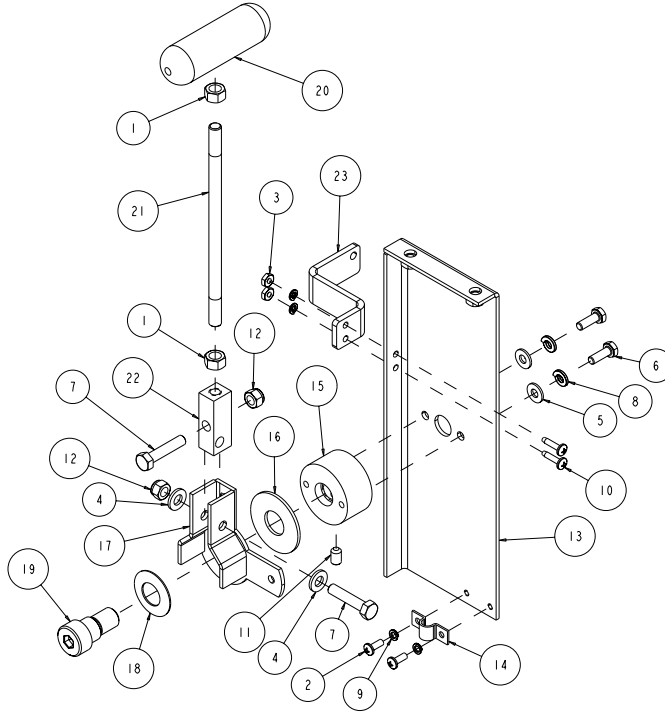
ITEM NO.	DESCRIPTION	PART #	QTY. REQ.
1	PLUG, 1/4NPT HEX SOCKET	154679	1
2	SENDER, FUEL	162636	1
3	ELBOW, 1/4MNPT X 5/16BARB, BRASS	164278	1
4	TANK, FUEL	165286	1
5	FITTING, 1/4MNPT X 3/16 BARB	169361	1

FIGURE 17 - PARTS LIST: ASSY, CONTROL PANEL, P/N 165336



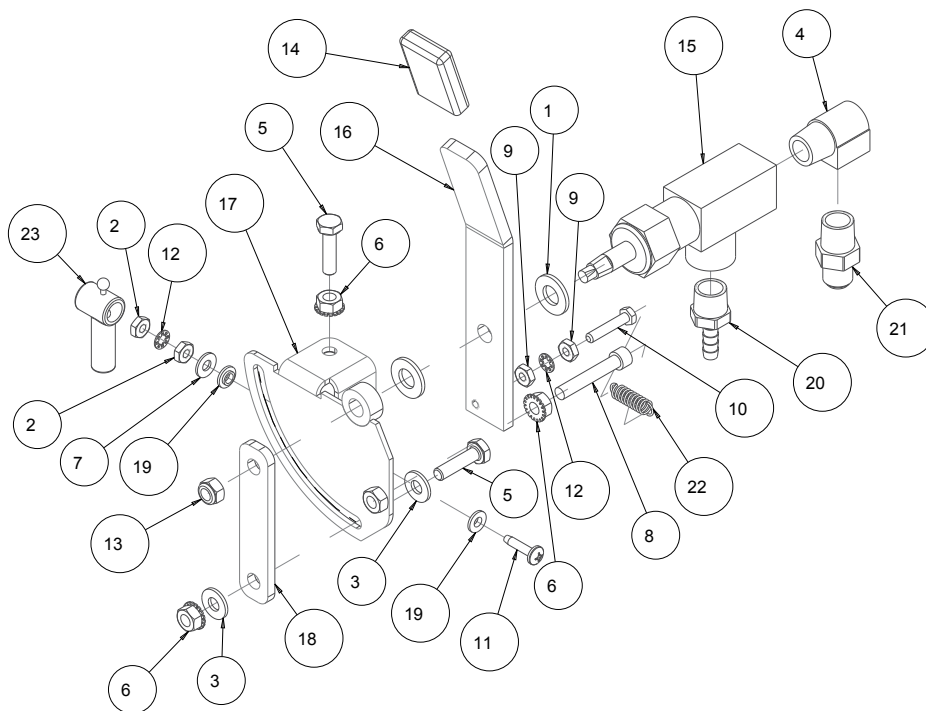
ITEM NO.	DESCRIPTION	PART #	QTY. REQ.
1	WASHER, 3/8 SPLIT LOCK	150925	2
2	SCREW, 5/16-18 X 1 HEX HEAD MACHINE	151743	2
3	WASHER, 5/16 SAE FLAT	151754	4
4	SCREW, 1/4-20 X 1/2 TRUSS HEAD	153880	2
5	SCREW, 5/16-18 X 2 HEX HEAD	155494	2
6	CONTACTS, NC	156204	1
7	NUT, 5/16-18 NYLOK HEX	158289	2
8	ASSY, SWITCH BUTTON, GAS	162080	1
9	CABLE, T2L, CONTROL, N- COMP	163934	1
10	ASSY, WATER VALVE	164161	1
11	PANEL, CONTROL	165337	1
12	LABEL, SET, CONTROL PANEL	167218	1
13	PLATE, UP/DOWN CONTROL MOUNT	167232	1
14	ASSY, UP/DOWN CONTROL	167233	1
15	SPRING, EXT, 7/160D X .048WD X 3.0L	167270	1
16	ASSY, CONTROLHEAD, FNR	168753	1

FIGURE 18 - PARTS LIST: ASSY, CONTROLHEAD, FNR SUB P/N 168753



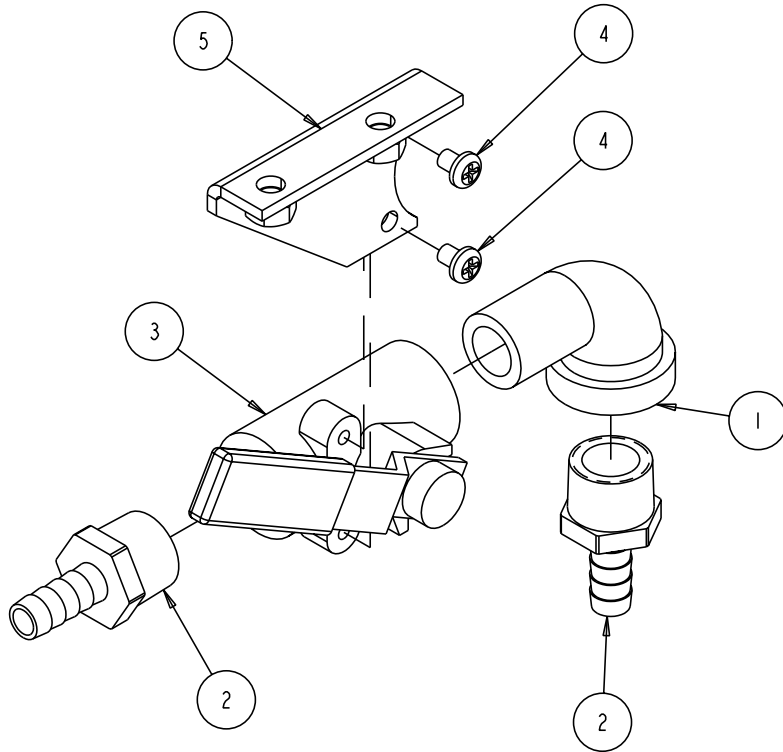
ITEM NO.	DESCRIPTION	PART #	QTY. REQ.
1	NUT, 3/8-16 HEX	101188	2
2	SCREW, 10-24 X 1/2 PAN HEAD PHILLIPS MACHINE	151744	2
3	NUT, 10-24 HEX	151749	2
4	WASHER, 5/16 SAE FLAT	151754	2
5	WASHER, 1/4 SAE FLAT	151915	2
6	SCREW, HEX HD, 1/4 - 20 X 3/4	152370	2
7	SCREW, 5/16-18 X 1-1/2 HEX HEAD MACHINE	152467	2
8	WASHER, 1/4 SPLIT LOCK	152591	2
9	WASHER, #10 SPLIT LOCK	153684	4
10	SCREW, PAN HD PHIL MS 10-24X3/4	156641	2
11	SCREW, 5/16 - 18 X 3/8 SOCKET HEAD SET	157084	1
12	NUT, 5/16-18 NYLOK HEX	158289	2
13	BRACKET, FNR CONTROL	162634	1
14	CLAMP, 30 SERIES CONDUIT	162860	1
15	JOURNAL, FNR CONTROL	162889	1
16	WASHER, 2.0 X .812 X .088 NYLON	162890	1
17	BRACKET, FNR PIVOT	162891	1
18	SPRING, 1.50 X .755 X .045, DISK	162892	1
19	SCREW, 3/4 X 1/2 SOCKET HEAD SHOULDER	162893	1
20	HANDLE, FNR GRIP	167227	1
21	BAR, FNR HANDLE	167228	1
22	BLOCK, FNR HANDLE	167229	1
23	BRACKET, FNR SPRING	167231	1

FIGURE 19 - PARTS LIST: ASSY, UP/DOWN CONTROL P/N 167233



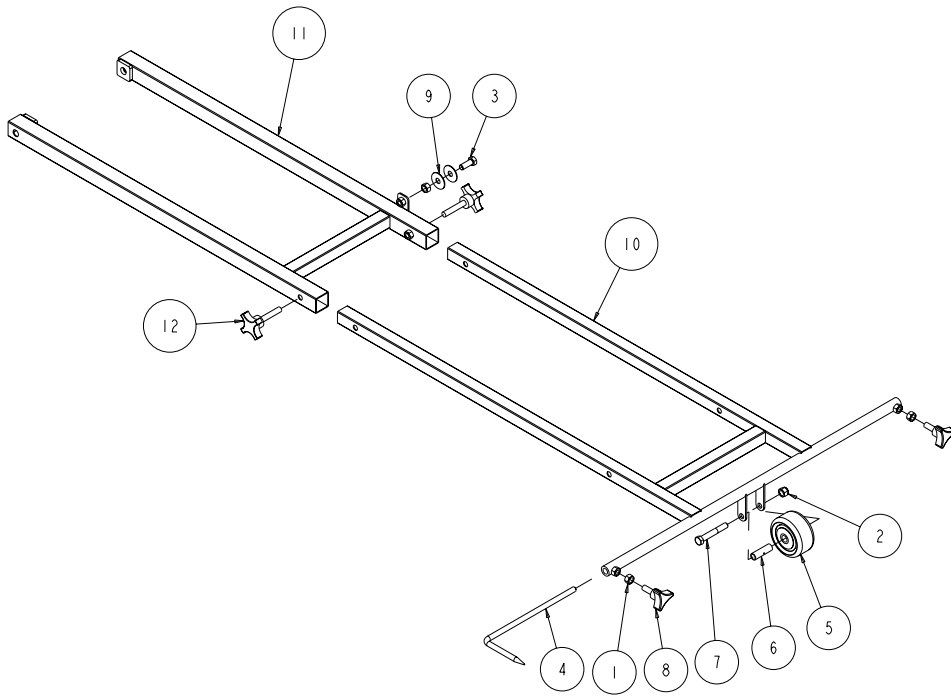
ITEM NO.	DESCRIPTION	PART #	QTY.
1	WASHER, 3/8 SAE FLAT	150923	2
2	NUT, 10-24 HEX	151749	2
3	WASHER, 1/4 SAE FLAT	151915	2
4	ELBOW, STREET, 3/8 NPT X 90, BRASS	152074	1
5	SCREW, HEX HD TAP, 1/4-20 X 1	152676	2
6	NUT, HEX TW, 1/4-20	153941	3
7	WASHER, #10 SAE FLAT	154369	1
8	SCREW, SOC HD CAP, 1/4- 20 X 1	154683	1
9	NUT, HEX 10-32	156269	2
10	SCREW, 10-32 X 1 HEX HEAD CAP	156270	1
11	SCREW, PAN HD PHIL MS 10-24X3/4	156641	1
12	WASHER, LOCK, IT, #10	158336	2
13	NUT, HEX, NYLK, 1/4-28	163936	1
14	CAP, PUSH-ON, VINYL, 1 X 1/4	167216	1
15	VALVE, 3/8 ANGLE NEEDLE	167234	1
16	HANDLE, UP/DOWN CONTROL	167235	1
17	PLATE, UP/DOWN ADJ	167236	1
18	ARM, DEPTH CONTROL ADJ	167237	1
19	WASHER, 5/16 FLANGED PLASTIC	167238	2
20	FITTING, 3/8 MNPT X 1/4 BARB, BRASS	167239	1
21	FITTING, 3/8 NPT X 3/8 JIC	167240	1
22	SPRING, EXTENSION .30OD X 3/4L X .037WIRE	167241	1
23	INSULATOR, EYELET TERMINAL, RED	170718	1

**FIGURE 20 - PARTS LIST: ASSY, WATER VALVE P/N 164161**



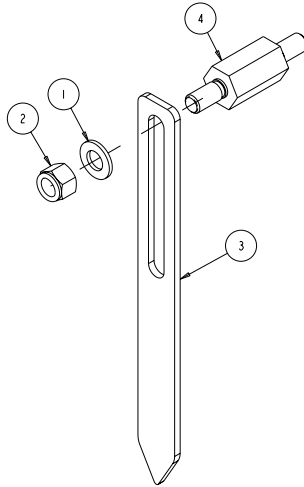
ITEM NO.	DESCRIPTION	PART #	QTY. REQ.
1	ELBOW, 1/2 MNPT 90 STREET, GALV	1	150848
2	FITTING, 1/2 MNPT X 3/8 BARB	2	153653
3	VALVE, BALL 1/2"	1	153796
4	SCREW, PAN HD PHIL 10-24 X 5/16	2	159494
5	BRACKET, WATER VALVE	1	162650

FIGURE 21 - PARTS LIST: ASSY, POINTER, FRONT P/N 169111



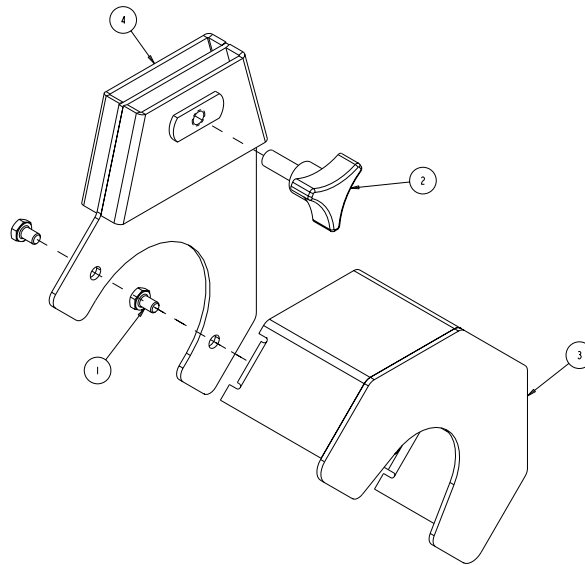
ITEM NO.	DESCRIPTION	PART #	QTY. REQ.
1	NUT, 3/8-16 HEX	101188	3
2	NUT, 3/8-16 NYLOK HEX	152505	1
3	SCREW, HEX HD CAP, 3/8 - 16 X 1	152507	1
4	WHEEL, POINTER, 3"	155066	1
5	BUSHING, 3/8 ID X 1-5/8L	155153	1
6	SCREW, 3/8-16 X 2-1/2 HEX HEAD CAP	156030	1
7	KNOB, 3 PRONG 3/8-16 X 1	156175	2
8	WASHER, FENDER, 3/8 ID X 1 - 1/2 OD	163269	2
9	ASSY, POINTER WHEEL	165238	1
10	POINTER ARM, UPPER	160938	1
11	POINTER ARM, LOWER	169113	1
12	KNOB, 4 PRONG 3/8 -16 X 2	169114	2

**FIGURE 22 - PARTS LIST: ASSY, REAR POINTER P/N 163824**



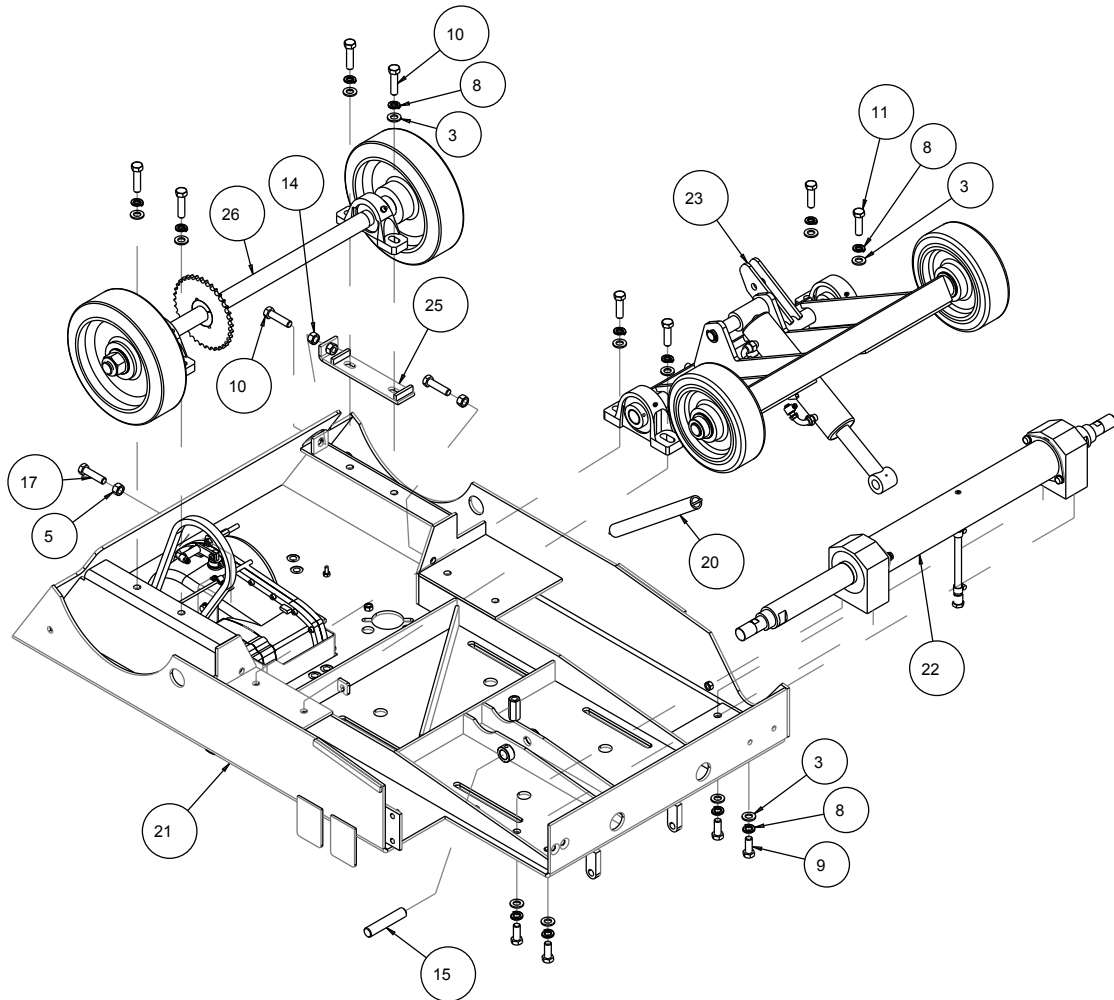
ITEM NO.	DESCRIPTION	PART #	QTY. REQ.
1	WASHER, 1/2 SAE FLAT	150924	1
2	NUT, 1/2 - 13 NYLOK HEX	155162	1
3	ARM, REAR POINTER	160951	1
4	STANDOFF, REAR POINTER	163825	1

**FIGURE 23 - PARTS LIST: ASSY, SHAFT GUARD P/N 166056**



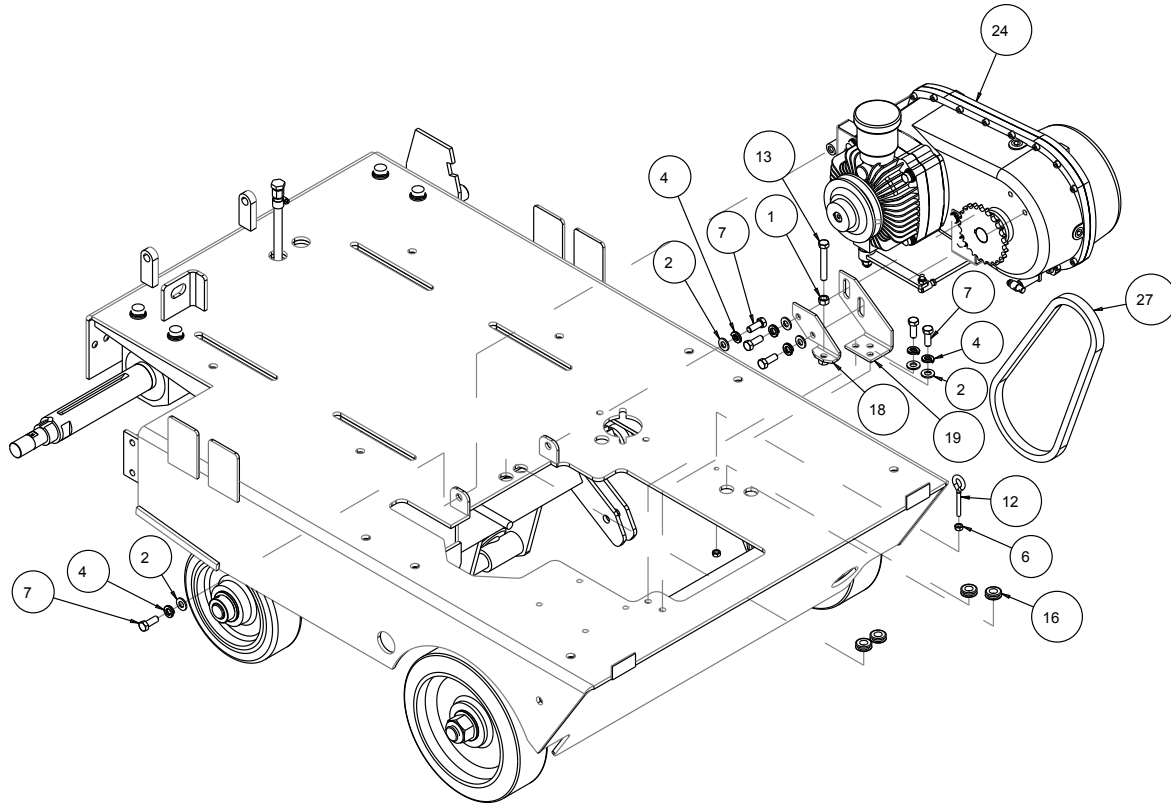
ITEM NO.	DESCRIPTION	PART #	QTY. REQ.
1	SCREW, HEX HD 1/4 - 20 X 3/8	153526	2
2	KNOB, 3 PRONG 3/8 - 16 X 1	156175	1
3	GUARD, SHAFT	161109	1
4	BACK PLATE, SHAFT GUARD	166057	1

FIGURE 24 - PARTS LIST: ASSY, FRAME SUB P/N 165160



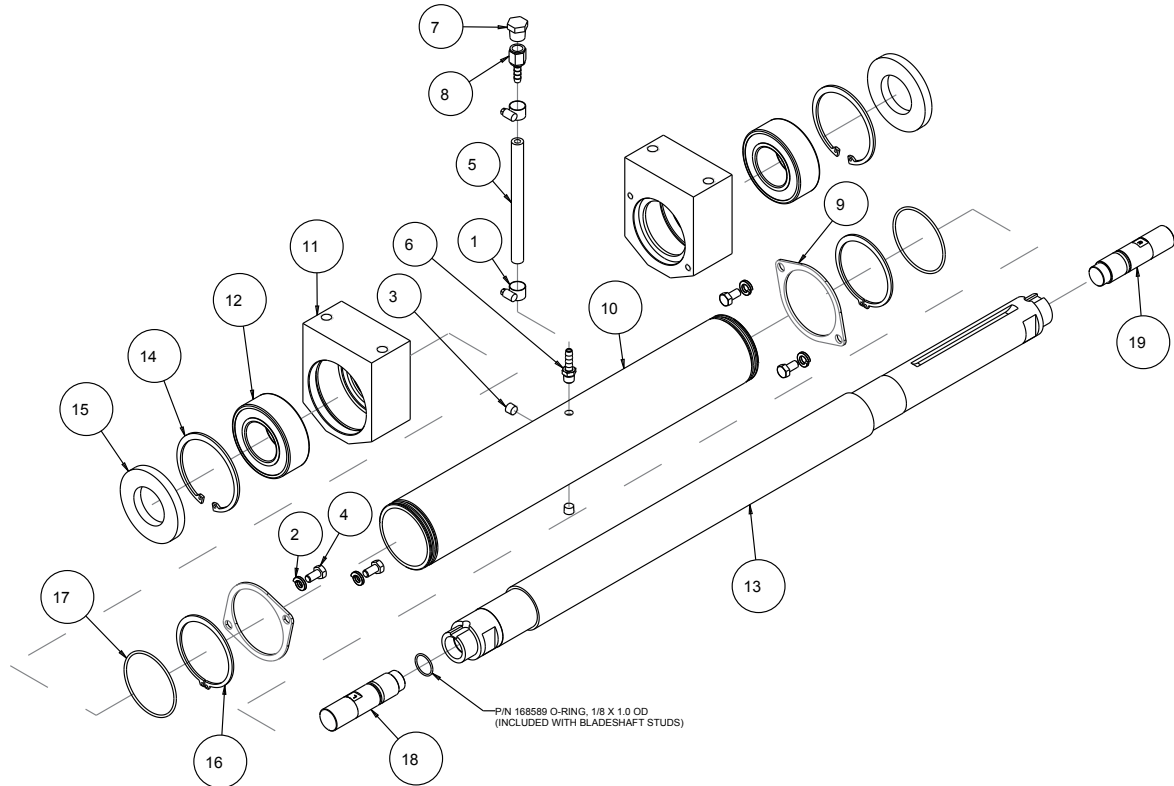
ITEM NO.	DESCRIPTION	PART #	QTY. REQ.
1	NUT, HEX, 3/8 - 16	101188	1
2	WASHER, FLAT, SAE, 3/8	150923	6
3	WASHER, 1/2 SAE FLAT	150924	12
4	WASHER, LOCK, SPLIT, 3/8	150925	6
5	NUT, 1/2 - 13 HEX	151282	2
6	NUT, HEX, 1/4 - 20	151893	2
7	SCREW, HEX HD CAP, 3/8 - 16 X 1	152507	6
8	WASHER, 1/2 SPLIT LOCK	153524	12
9	SCREW, 1/2 - 13 X 1 -1/4 HEX HEAD CAP	153532	4
10	SCREW, HEX HD 1/2 - 13 X 2	153533	5
11	SCREW, 1/2 - 13 X 1 - 3/4 HEX HEAD CAP	153853	4
12	EYEBOLT, 1/4 - 20 X 2	153887	1
13	BOLT, 3/8 - 16 X 2 - 1/2 HEX HEAD CAP	155589	1
14	NUT, 1/2 - 13 CENTERBLOCK HEX	156279	1

FIGURE 24 - PARTS LIST: ASSY, FRAME SUB P/N 165160



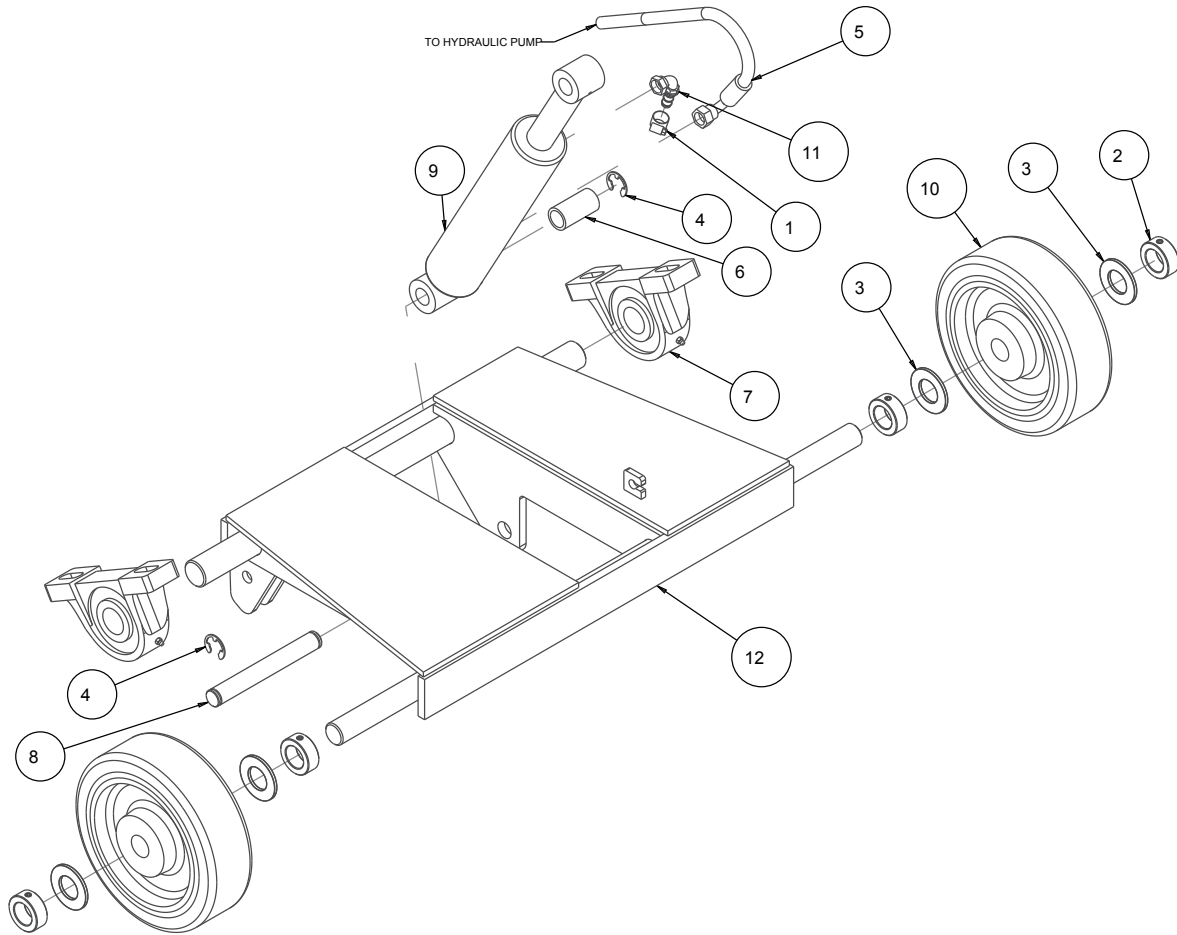
ITEM NO.	DESCRIPTION	PART #	QTY. REQ.
15	PIN, Ø3/4 X 3 - 1/2 CLEVIS	161164	1
16	GROMMET, 1/2 X 1.0	162493	4
17	BOLT, 1/2 - 13 X 2.0 HEX HEAD TAP	162598	2
18	BRACKET, TRANS LIFT, ADJ	162743	1
19	BRACKET, TRANS MOUNT FIXED	162744	1
20	SPRING, 1.0 X 7.0 X .135 EXTENTION	162830	1
21	FRAME, MAIN	165159	1
22	ASSY, BLADE SHAFT, 45MM	165583	1
23	ASSY, TRUCK, 6000FP	165592	1
24	ASSY, TRANSMISSION	166338	1
25	PLATE, REAR AXLE ALIGN	168293	1
26	ASSY, REAR AXLE	168581	1
27	CHAIN, ROLLER, #40 X 34" +C/L	168585	1

FIGURE 25 - PARTS LIST: ASSY, BLADE SHAFT P/N 165583



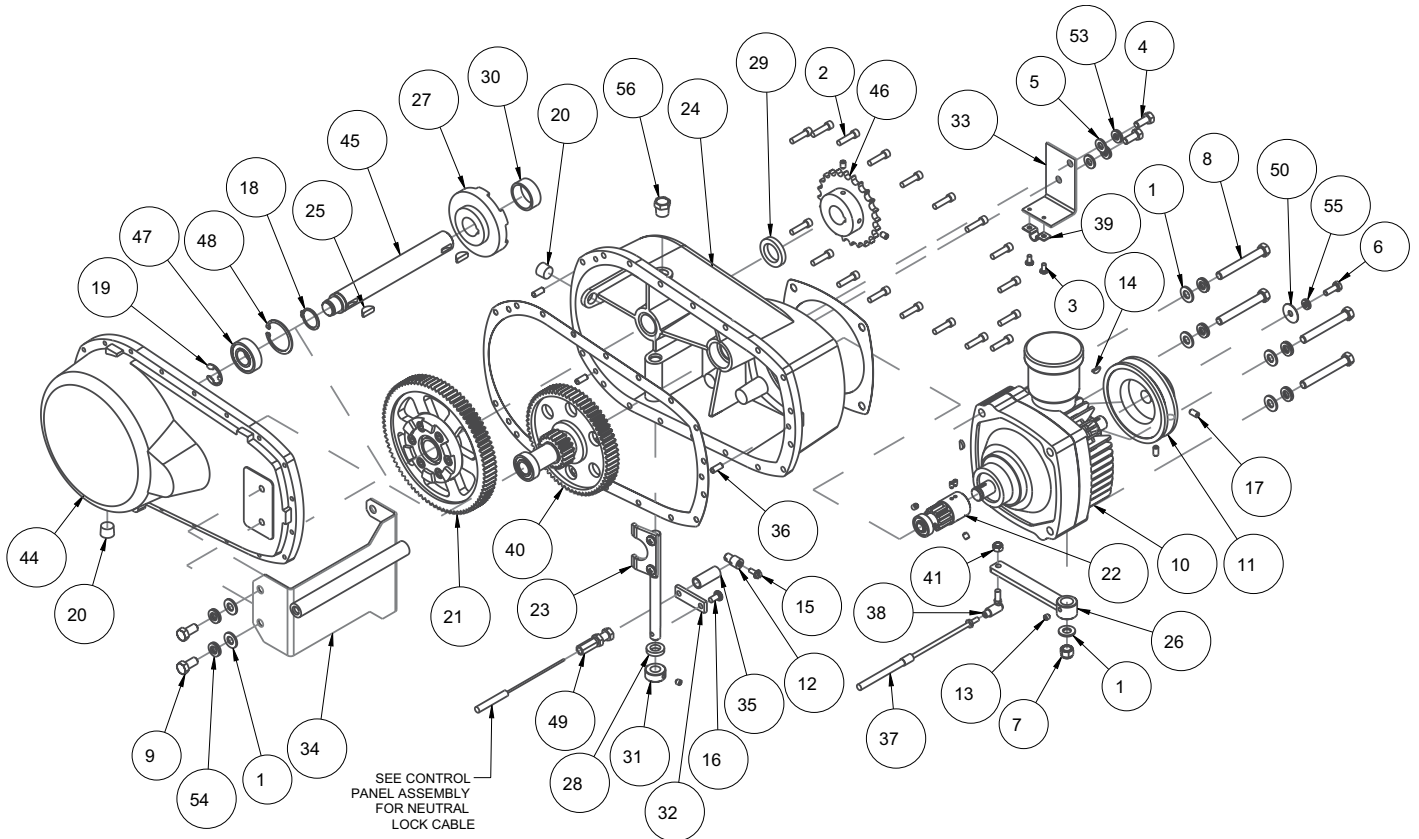
ITEM NO.	DESCRIPTION	PART #	QTY. REQ.
1	CLAMP, 5/8 HOSE	151198	2
2	WASHER, 5/16 SPLIT LOCK	151747	4
3	PLUG, 1/8NPT HEX SOCKET	152472	2
4	SCREW, 5/16-18 X 5/8 HEX HEAD CAP	153949	4
5	HOSE, 1/4 FUEL	154163	1
6	FITTING, 1/8 MNPT X 1/4 BARB	155809	1
7	PLUG, 3/8NPT BRONZE BREATHER	161209	1
8	FITTING, 1/4 FNPT X 1/4 BARB	162601	1
9	FLANGE, 3" BLADESHAFT TUBE	165456	2
10	TUBE, 45MM BLADE SHAFT	165584	1
11	BLOCK, 85MM BEARING	165586	2
12	BEARING, 45 X 85 X 30.2, D-ROW BALL	165587	2
13	SHAFT, 45MM BLADE	165588	1
14	RING, 85MM INTERNAL RETAINING	165589	2
15	SEAL, 45MM X 85MM OIL	165590	2
16	RING, RETAINING, 3 EXTERNAL	165591	2
17	O-RING, 3/32 X 30D	168586	2
18	STUD, BLADESHAFT, LH THREAD	168587	1
19	STUD, BLADESHAFT, RH THREAD	168588	1

FIGURE 26 - PARTS LIST: ASSY, TRUCK, FRT PIVOT P/N 165592



ITEM NO.	DESCRIPTION	PART #	QTY. REQ.
1	CLAMP, HOSE, 5/8	151198	1
2	COLLAR, 1.0 SHAFT	160849	4
3	WASHER, 1 SAE FLAT	160851	4
4	RING, .75 E-STYLE RETAINING	161163	2
5	HOSE, 1/4NPT X 9/16JIC90 HYD	162600	1
6	SPACER, 1.0 X .75 X 1.94	164046	1
7	BEARING, 1 - 3/16 ID PILLOW BLOCK	165593	2
8	PIN, Ø3/4 X 5 CLEVIS	165594	1
9	CYLINDER, 6" HYDRAULIC	165595	1
10	WHEEL, 8 X 2 - 1/2 X 1	170378	2
11	ELBOW, 3/8 FJIC X 3/8 BARB	170388	1
12	WELDMENT, TRUCK, 6000FP	170399	1

FIGURE 27 - PARTS LIST: ASSY, TRANSMISSION P/N 166338

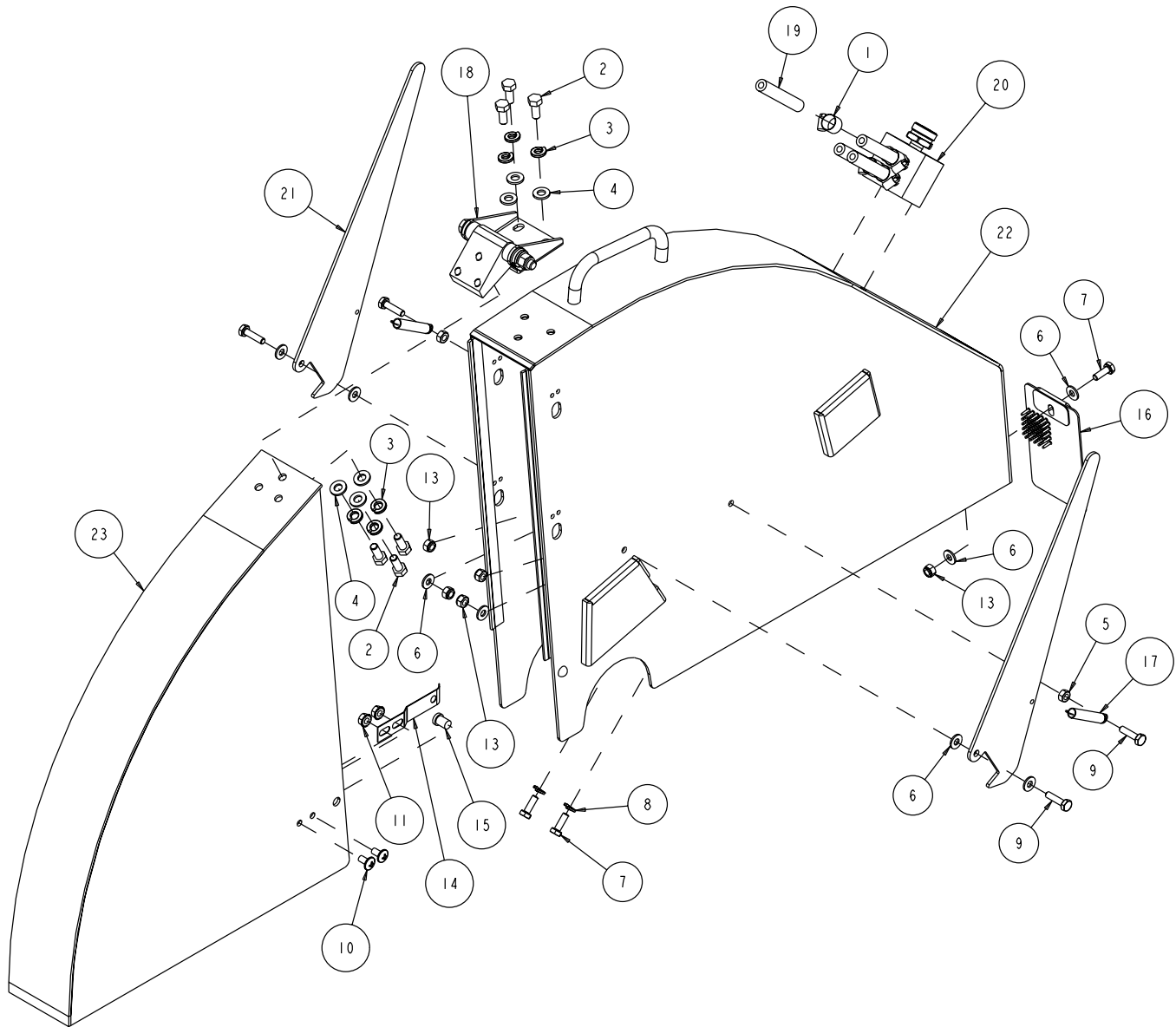


ITEM NO.	DESCRIPTION	PART #	QTY.
1	WASHER, 3/8 SAE FLAT	150923	7
2	SCREW, SOC HD CAP, 1/4-20 X 1	151049	18
3	SCREW, PAN HD, #10-24 X 3/8	151097	2
4	SCREW, HEX HD, CAP, 5/16-18 X 3/4	151369	2
5	WASHER, FLAT, SAE, 5/16	151754	2
6	SCREW, HEX HD, 1/4-20 X 3/4	152370	1
7	NUT, 3/8-16 NYLOK HEX	152505	1
8	SCREW, 3/8-16 X 3 HEX HEAD CAP	153113	4
9	SCREW, HEX, 3/8-16 X 3/4	153527	2
10	PUMP, TRANSMISSION	153783	1
11	PULLEY, A4.0 X 17 MM BORE OFFSET	153826	1
12	PIN, WIRE STOP	153842	1
13	SCREW, SET CUP PT 1/4-20 X 1/4	153864	1
14	KEY, WOODRUFF, 1/8 X 1/2	153865	2
15	SCREW, HEX HD FL 10-24 X 5/16	154172	1

FIGURE 28 - PARTS LIST: ASSY, TRANSMISSION P/N 166338

ITEM NO.	DESCRIPTION	PART #	QTY.
16	SCREW, PAN HD, CAP, 1/4-20 X 1/2	155452	1
17	SCREW, 1/4-20 X 1/2 SOCKET HEAD SET	155804	2
18	RING, 1" EXTERNAL RETAINING	161140	1
19	RING, .75 E-STYLE RETAINING	161163	1
20	PLUG, 3/8 NPT HEX SOCKET, GALV	161208	2
21	ASSY, ENGAGEMENT GEAR	161233	1
22	ASSY, PUMP PINION	161235	1
23	ASSY, TRANS FORK 1	161237	1
24	ASSY, TRANS CASE 1	161248	1
25	KEY, WOODRUFF, 1/4 X 3/4	161261	2
26	LEVER, TRANS CONTROL	161263	1
27	PLATE, LOCKER, KEYED	161264	1
28	SEAL, OIL, 1/2 X 7/8 X 3/16	161270	1
29	SEAL, 1 X 1-1/2 X 1/4 OIL	161271	1
30	SPRING, 1.5OD X 1.3 COMPRESSION	161279	1
31	COLLAR, 1/2 SHAFT	162633	1
32	LEVER, TRANS FORK	162673	1
33	BRACKET, TRANS FNR	162735	1
34	BRACKET, TRANS PIVOT	162741	1
35	SPRING, .56 OD X 1.38 COMPRESSION	162829	1
36	PIN, 1/4 X 5/8 DOWEL	162849	3
37	CABLE, TRANS CONTROL	162858	1
36	BALL JOINT, 30 SERIES	162859	1
39	CLAMP, 30 SERIES CONDUIT	162860	1
40	ASSY, CHANGE GEAR	162883	1
41	NUT, HEX, NYLK, 1/4-28	163936	1
42	OIL, 80-90 SAE GEAR	164971	1
43	SEALANT, HI-TEMP FORM-A-GASKET	164972	1
44	CASTING, TRANS CASE3 (COMP)	166340	1
45	SHAFT, AXLE, #3	166341	1
46	SPROCKET, 40BS24 X 1.0 BORE	166342	1
47	BEARING, BALL, 20 X 42 X 12MM	166343	1
48	RING, 1-11/16 INTERNAL RETAINING	166344	1
49	FITTING, THROTTLE CABLE END	169042	1
50	WASHER, FENDER, 1/4 X 1	169049	1
51	GASKET SET, TRANSMISSION	169465	1
52	SEALANT, GASKET, PT#2 (0.5 OZ)	169466	1
53	WASHER, CHROMATE, 5/16, PAIR	169690	2
54	WASHER, CHROMATE, 3/8, PAIR	169692	6
55	WASHER, CHROMATE, 1/4, PAIR	169693	1
56	PLUG, 3/8 NPT BRONZE BREATHER	170959	1

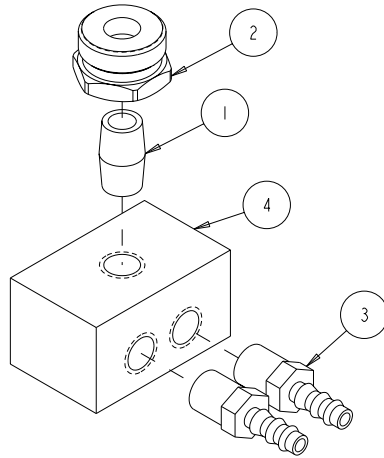
FIGURE 32 - PARTS LIST: ASSY, 36" BLADE GUARD P/N 168279-36-WH



**FIGURE 32- PARTS LIST: ASSY, 36" BLADE GUARD P/N 168279-36-WH**

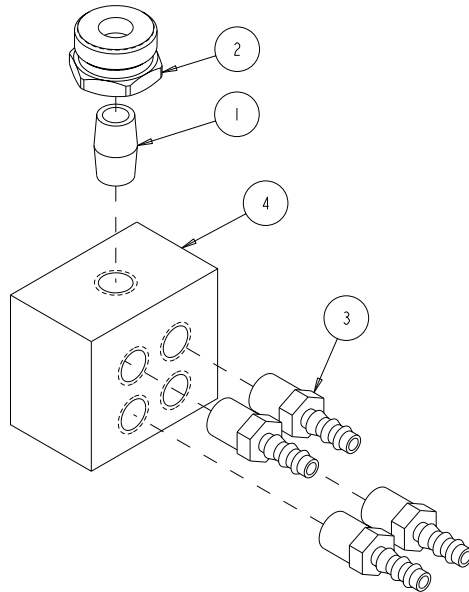
ITEM NO.	DESCRIPTION	PART #	QTY. REQ.
1	CLAMP, 5/8 HOSE	151198	2
2	SCREW, 5/16-18 X 3/4 HEX HEAD MACHINE	151369	6
3	WASHER, LOCK, SPLIT, 5/16	151747	6
4	WASHER, 5/16 SAE FLAT	151754	6
5	NUT, 1/4-20 HEX	151893	2
6	WASHER, 1/4 SAE FLAT	151915	8
7	SCREW, 1/4-20 X 3/4 HEX HEAD MACHINE	152370	3
8	WASHER, 1/4 SPLIT LOCK	152591	2
9	SCREW, HEX HD CAP, 1/4-20 X 1	152676	4
10	SCREW, 1/4-20 X 1/2 TRUSS HEAD	153880	2
11	NUT, HEX W/WSHR, 1/4-20	153941	2
12	TIE, NYLON CABLE, 1/8 X 4, BLACK	158528	4
13	NUT, 1/4-20 NYLOK	159857	5
14	LOCK, BLADE GUARD	159998	1
15	BUTTON, RELEASE	159999	1
16	GUARD, SPLASH	160310	1
17	SPRING, EXTENSION	160875	2
18	ASSY, HINGE	163979	1
19	HOSE, VINYL, 1/4 X 1/2 (24"L)	167620	4
20	ASSY, WATER MANIFOLD, 4T	167625	1
21	LATCH, 36" BLADE GUARD	167658	2
22	GUARD, 36" FRONT BLADE	168277-36-WH	1
23	GUARD, 36" REAR BLADE	168278-36-WH	1

**FIGURE 33 - PARTS LIST: ASSY, WATER MANIFOLD, 2T P/N 167624**

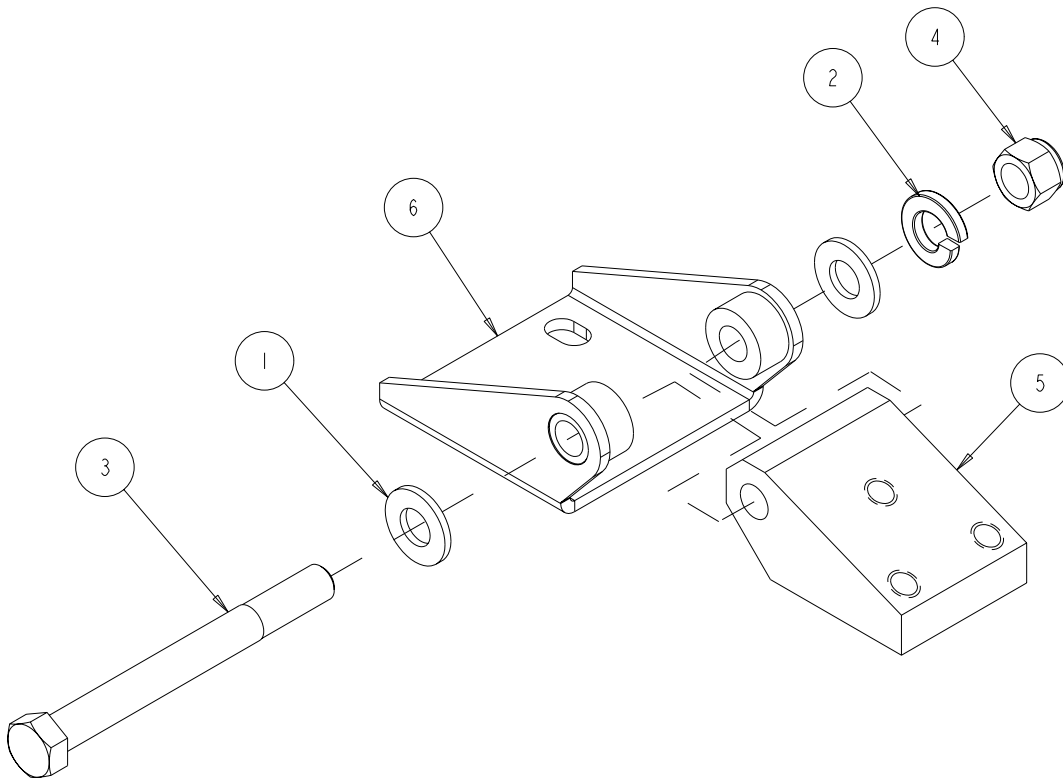


ITEM NO.	DESCRIPTION	PART #	QTY. REQ.
1	NIPPLE, 1/4 NPT X CLOSE, BRASS	159905	1
2	FITTING, 3/4 X 11.5 MNH X 1/4 FNPT	163992	1
3	FITTING, PUSH ON HOSE 1/4 X 1/4 MALE	165183	2
4	MANIFOLD, WATER, 2 TUBE	167622	1

**FIGURE 34 - PARTS LIST: ASSY, WATER MANIFOLD, 4T P/N 167625**



ITEM NO.	DESCRIPTION	PART #	QTY. REQ.
1	NIPPLE, 1/4 NPT X CLOSE, BRASS	159905	1
2	FITTING, 3/4 X 11.5 MNH X 1/4 FNPT	163992	1
3	FITTING, PUSH ON HOSE 1/4 X 1/4 MALE	165183	4
4	MANIFOLD, WATER, 4 TUBE	167623	1

**FIGURE 35 - PARTS LIST: ASSY, HINGE P/N 163979**

ITEM NO.	DESCRIPTION	PART #	QTY. REQ.
1	WASHER, 3/8 SAE FLAT	150923	2
2	WASHER, 3/8 SAE LOCK	150925	1
3	SCREW, 38 - 16 X 3-3/4 HEX HD CAP	152504	1
4	NUT, 3/8 - 16 X 3 NYLOK HEX	152505	1
5	PLATE, FRONT HINGE	163977	1
6	PLATE, REAR HINGE	163978	1