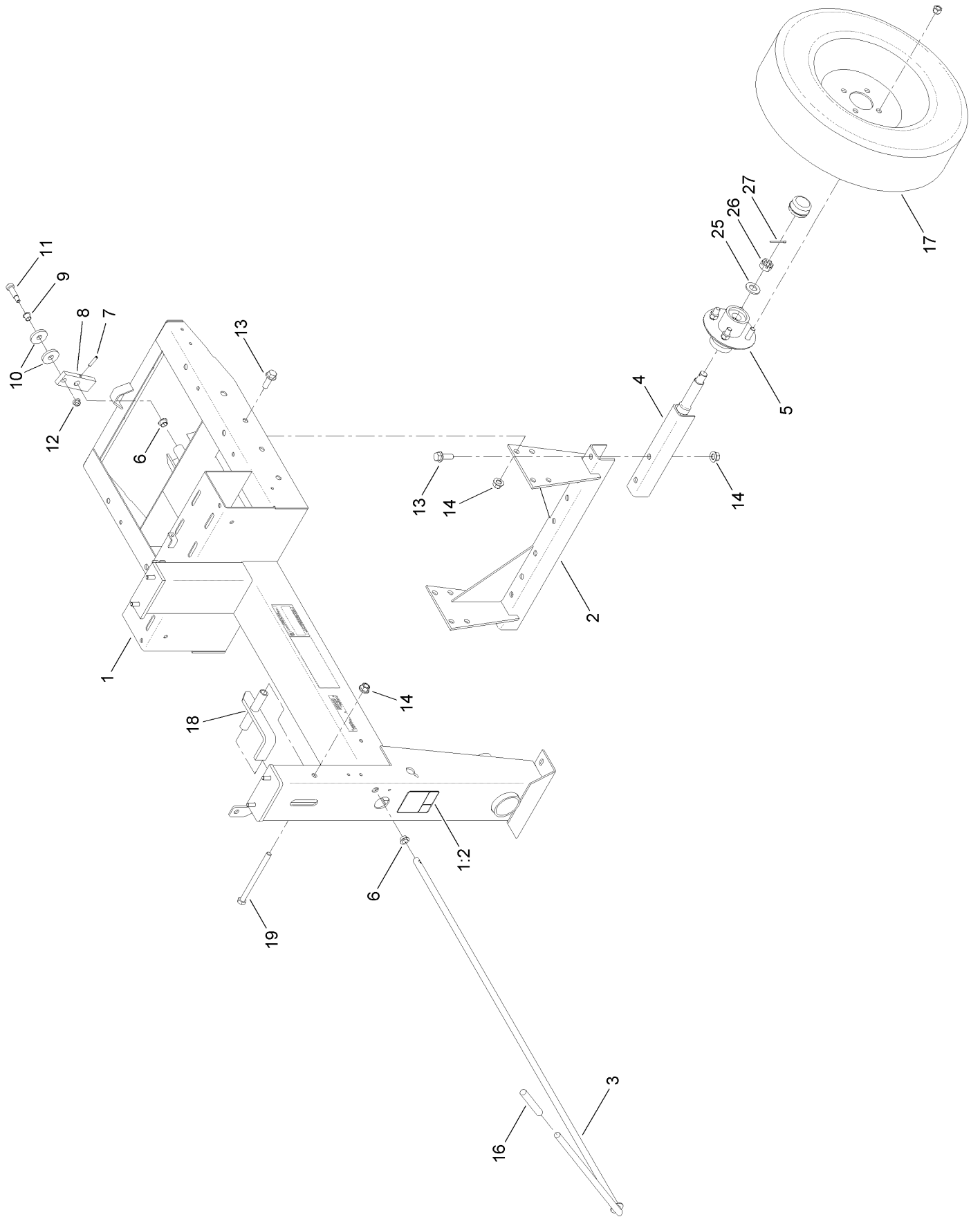


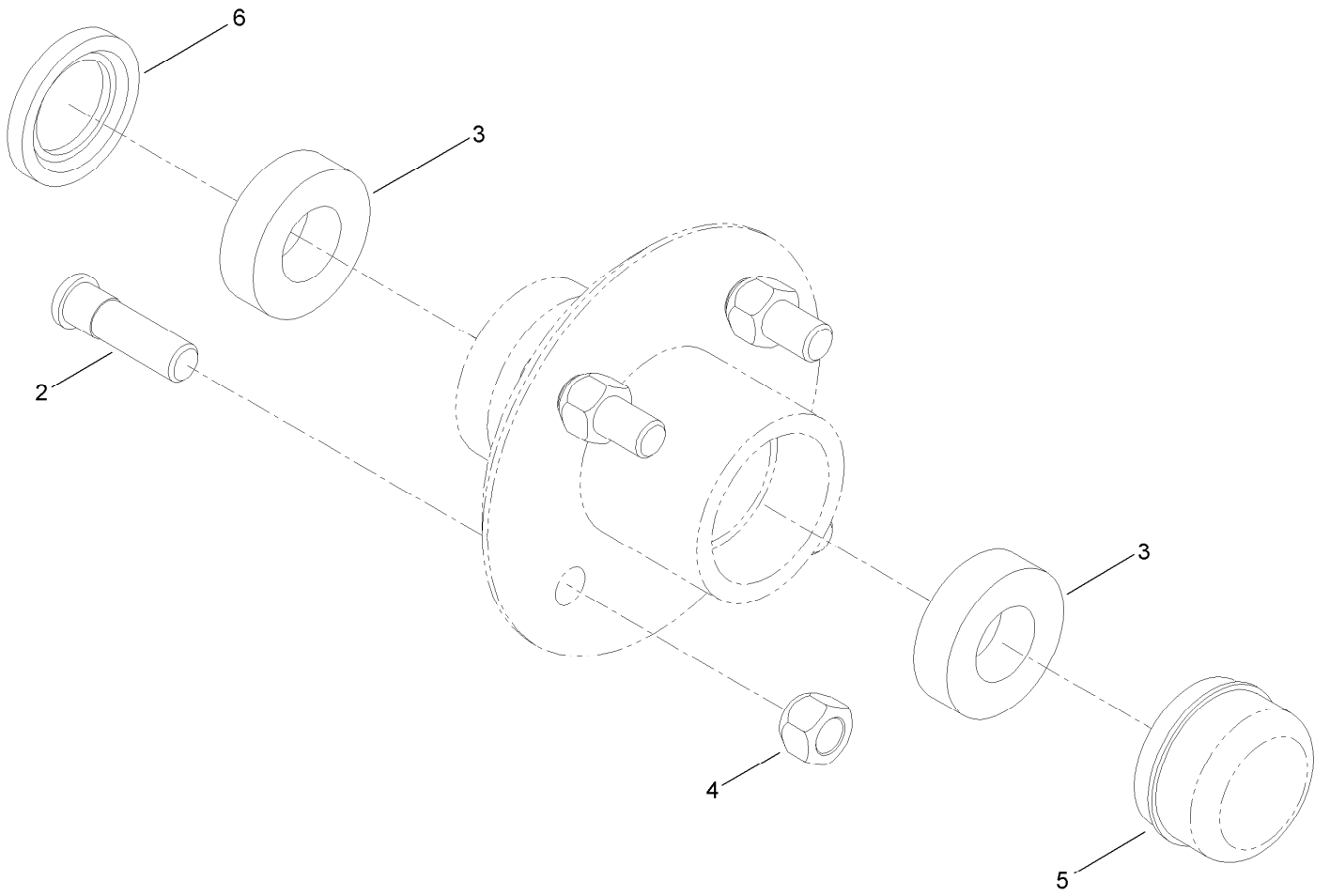
# Frame and Axle Assembly



## Frame and Axle Assembly (continued)

<i>Ref.</i>	<i>Part Number</i>	<i>Qty.</i>	<i>Description</i>	<i>Ref.</i>	<i>Part Number</i>	<i>Qty.</i>	<i>Description</i>
1	127-1680	1	Frame ASM	11	ST81153	1	Screw-HSBH
1:2	125-8216	1	Decal-Safety Chain, Towing	12	104-8301	1	Nut-Flange, NI
2	125-8219-03	1	Support-Axle	13	100-6116	8	Screw-HHF
3	ST39568-03	1	Lever-Clutch	14	99-5107	9	Nut-Lock
4	ST22512-03	2	Axle-Half	16	ST34687	1	Grip-Handle
5	125-8171	2	Hub ASM	17	ST32306	2	Tire And Rim ASM
6	ST32116	2	Bushing-Flange	18	ST24027-03	1	Latch-Drum
7	32121-69	1	Pin-Spring	19	325-33	1	Screw-HH
8	ST39446	1	Link-Clutch	25	3256-28	2	Washer-Flat
9	ST32099	1	Bushing-Flange	26	ST80054	2	Nut
10	ST26326	2	Washer-Flat	27	3272-13	2	Pin-Cotter

# Hub Assembly No. 125-8171



## Hub Assembly No. 125-8171 (continued)


<i>Ref.</i>	<i>Part Number</i>	<i>Qty.</i>	<i>Description</i>
2	ST39190	4	Stud-Wheel
3	ST32233	2	Bearing-Roller
4	ST80045	4	Nut-Lug

<i>Ref.</i>	<i>Part Number</i>	<i>Qty.</i>	<i>Description</i>
5	ST34573	1	Cap-Dust
6	ST32052	1	Seal-Hub, Wheel

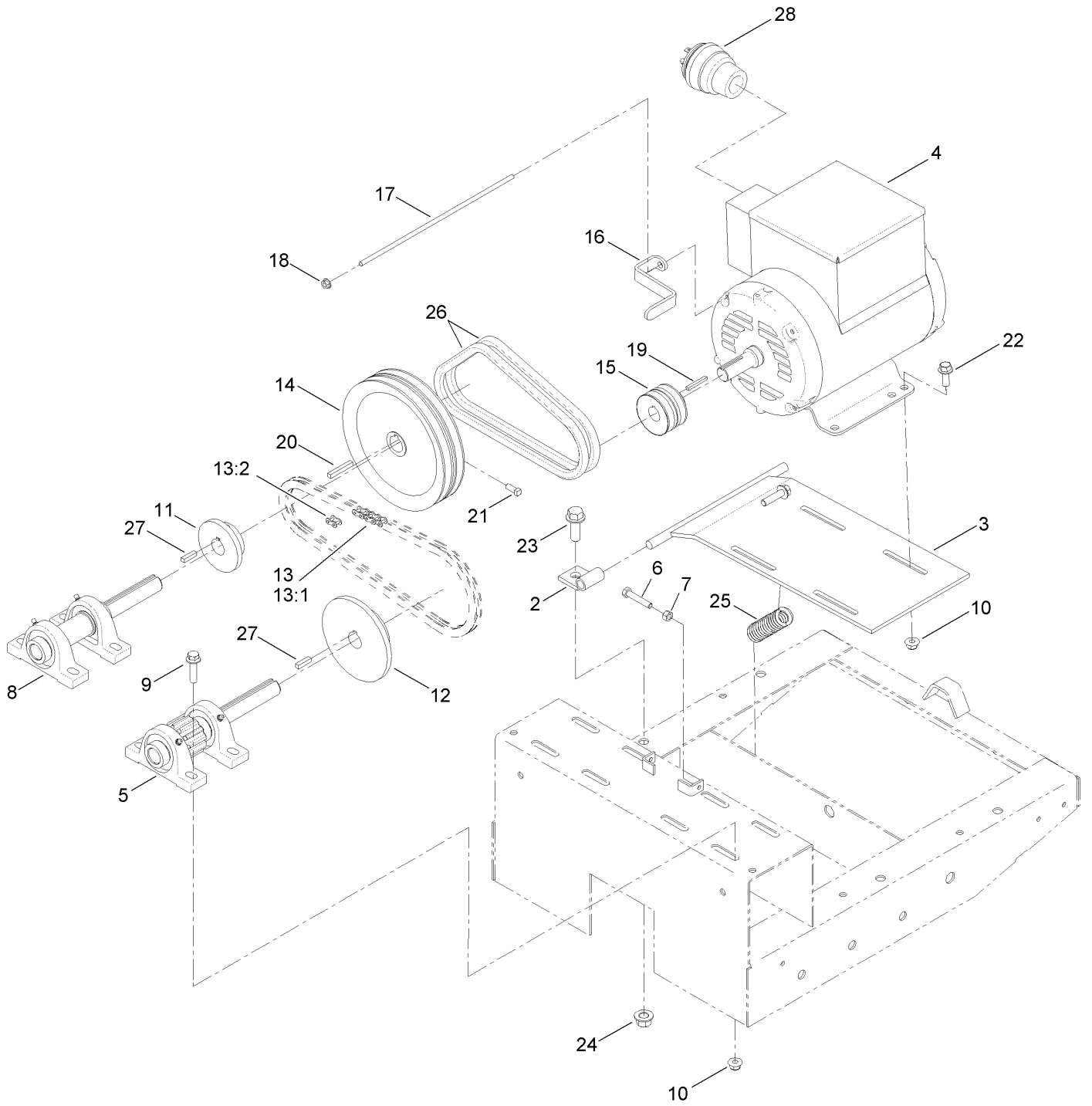


## Drum Assembly (continued)

<i>Ref.</i>	<i>Part Number</i>	<i>Qty.</i>	<i>Description</i>	<i>Ref.</i>	<i>Part Number</i>	<i>Qty.</i>	<i>Description</i>
2	ST24021-01	1	Trunnion	24	325-6	2	Screw-HH
3	ST24205-01	1	Shaft-Drum	25	ST81060	1	Key-Square
4	ST24219-01	1	Paddle	26	104-8301	30	Nut-Flange, NI
5	ST24220-01	1	Paddle	27	ST46042	4	Fitting-Grease
6	ST24221-01	1	Paddle	28	325-7	6	Screw-HH
7	ST24222-01	1	Paddle	29	99-5107	8	Nut-Lock
8	ST25934-01	1	Drum	30	ST24033	2	Blade-Rubber, Short
9	ST32326-01	2	Housing-Bearing	31	ST24031-01	2	Bar-Backer, Short
10	ST32003	2	Bearing-Ball	32	ST24106	4	Blade-Rubber, Long
11	ST25909	1	Spacer-Shaft, Drum	33	ST24104-01	4	Bar-Backer, Long
12	ST26933-03	1	Gear-94 Teeth	34	3231-25	22	Bolt-CARR
13	ST36574-01	1	Trunnion-Capped	35	116-0780	2	Screw-HHF, Shoulder
14	ST24107-01	2	Clamp	36	3230-3	6	Screw-CARR
15	125-6253-01	1	Guard-Drum	37	104-8300	6	Nut-Flange, NI
16	125-6223-03	1	Bar-Guard, Lift	38	ST44347-01	1	Handle-Dump
17	106-2008	1	Washer-Thrust	39	3234-24	2	Screw-HHF
18	80-1300	2	Bolt-Shoulder	40	ST47001	4	Cap-Plug
20	ST32324	8	Seal-Drum	41	ST47023	1	Grip-Hand
21	ST24017	4	Washer-Flat	42	125-8175	2	Decal-Grease
22	ST25881	2	Washer-Split	43	ST44284	1	Spacer-Shaft, Drum
23	ST26326	2	Washer-Flat				


**NOTE: If your mixer has a WELDED ON bearing housing you must purchase this bearing kit version: ST22153**  
**The ST23432 featured here is for the BOLT on version ONLY.**

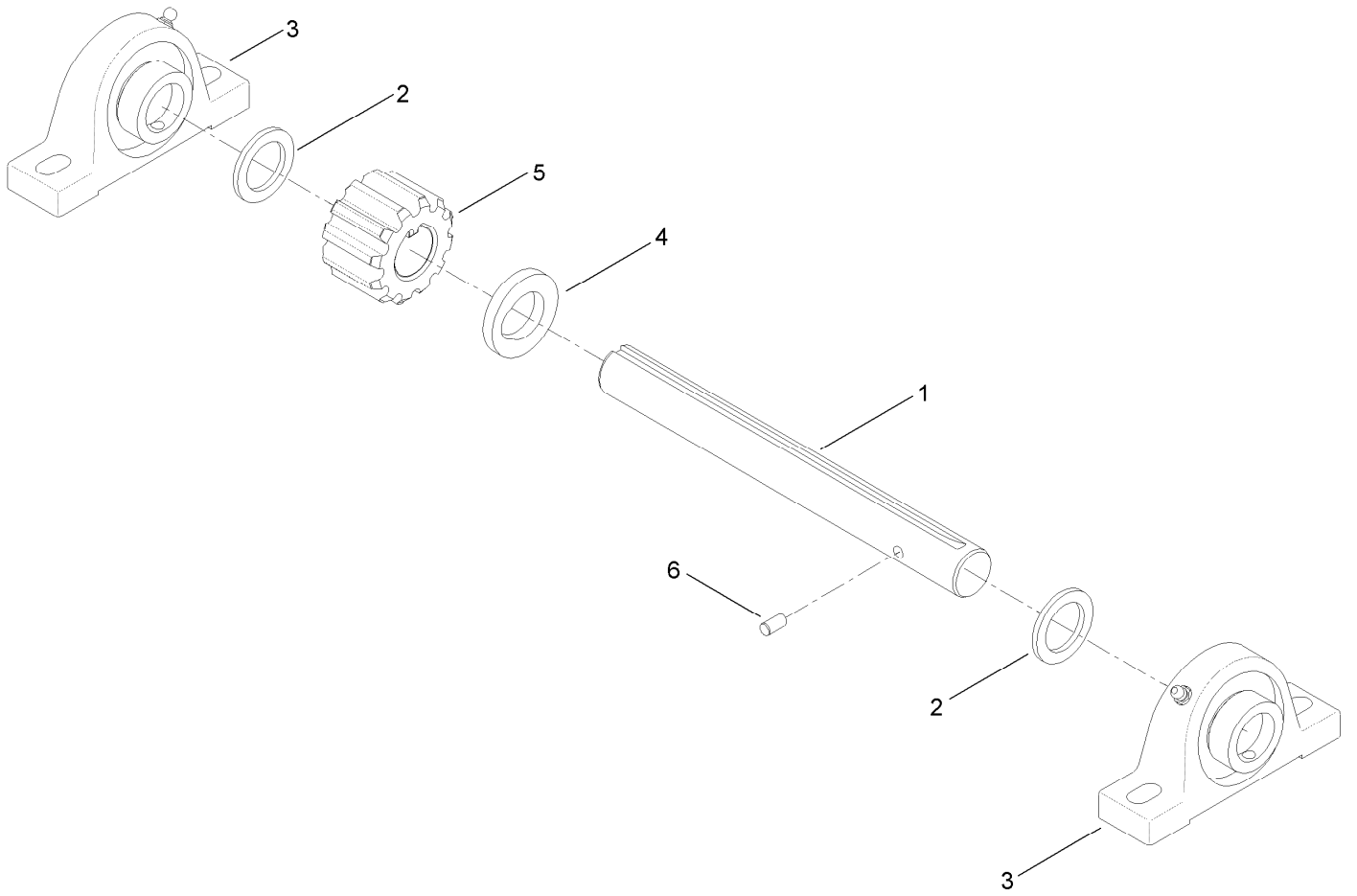
# Electric Motor Assembly



## Electric Motor Assembly (continued)

<i>Ref.</i>	<i>Part Number</i>	<i>Qty.</i>	<i>Description</i>	<i>Ref.</i>	<i>Part Number</i>	<i>Qty.</i>	<i>Description</i>
2	ST57786-03	2	Mount-Motor	15	ST38666	1	Sheave
3	ST39567-03	1	Base-Motor	16	ST42446-03	1	Guide-Belt
4	125-6254	1	Motor-Electric	17	127-2887	1	Rod-Threaded
5	ST32354	1	Pinion ASM	18	32128-14	1	Nut-HF
6	322-41	2	Screw-HH	19	ST37716	1	Key-Square
7	3217-6	2	Nut-Hex	20	7-0238	1	Key-Square
8	ST21300	1	Idler ASM	21	120-6474	2	Screw-Set, SQH
9	114-4681	8	Screw-HHF	22	3234-42	4	Screw-HHF
10	104-8301	12	Nut-Flange, NI	23	100-6116	2	Screw-HHF
11	ST34126	1	Sprocket	24	99-5107	2	Nut-Lock
12	ST34127	1	Sprocket	25	ST34849	1	Spring
13	ST21184	1	Chain Set	26	ST34617	2	Belt-V
13:1	ST34102	3	Chain	27	5-7280	2	Key
13:2	ST34104	1	Link-Connecting, No. 50	28	127-1678	1	Plug
14	ST38450	1	Sheave				

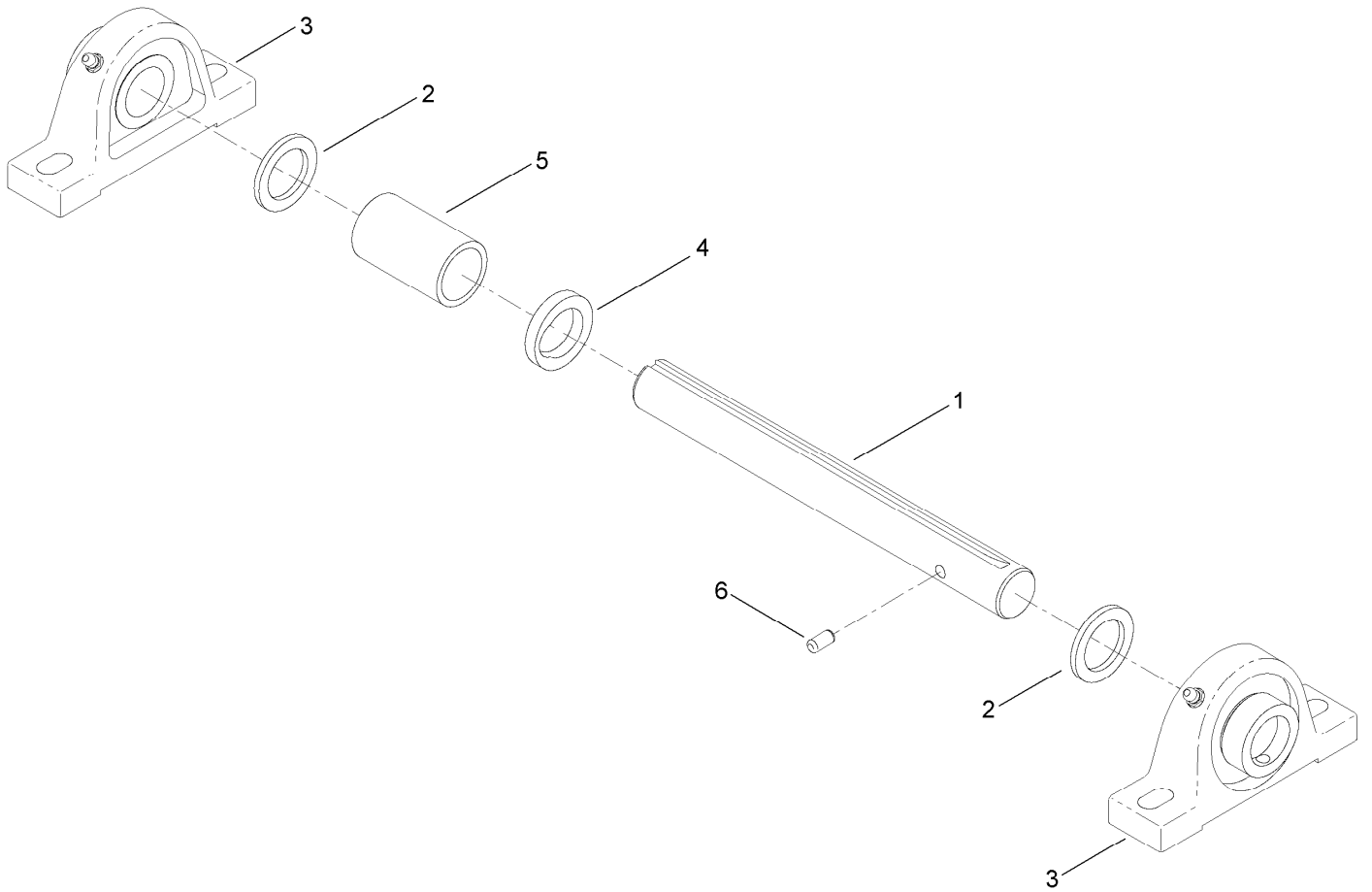
# Pinion Assembly No. ST32354



## Pinion Assembly No. ST32354 (continued)

<i>Ref.</i>	<i>Part Number</i>	<i>Qty.</i>	<i>Description</i>	<i>Ref.</i>	<i>Part Number</i>	<i>Qty.</i>	<i>Description</i>
1	ST24036	1	Shaft-Pinion	4	ST38122	1	Washer
2	3-8514	2	Washer-Thrust	5	ST57625	1	Gear-Spur
3	ST32208	2	Bearing-Block, Pillow	6	95-0715	1	Pin-Dowel

# Idler Assembly No. ST21300

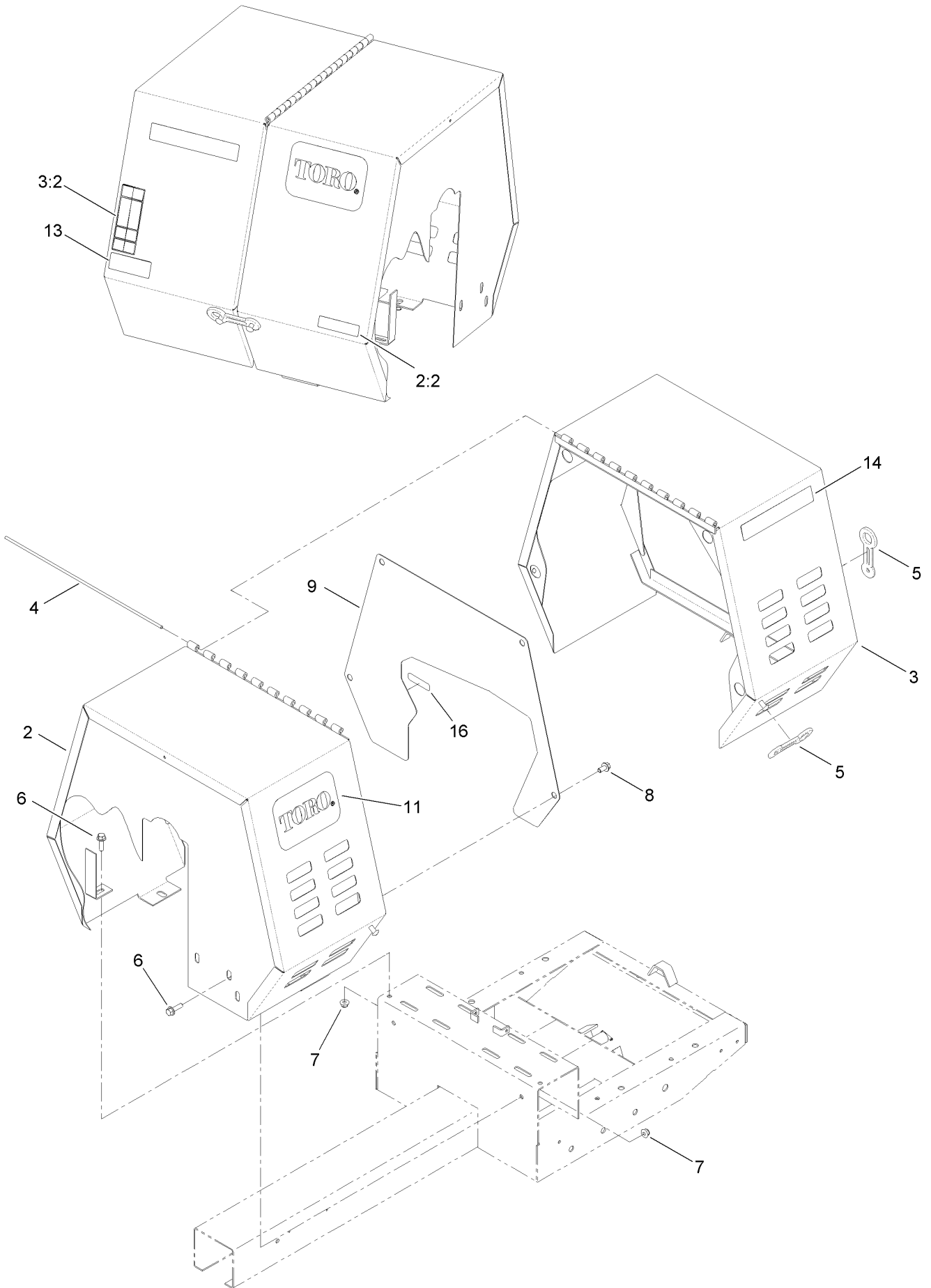


## Idler Assembly No. ST21300 (continued)

<i>Ref.</i>	<i>Part Number</i>	<i>Qty.</i>	<i>Description</i>
1	ST24036	1	Shaft-Pinion
2	3-8514	2	Washer-Thrust
3	ST32208	2	Bearing-Block, Pillow

<i>Ref.</i>	<i>Part Number</i>	<i>Qty.</i>	<i>Description</i>
4	ST38122	1	Washer
5	ST42966-03	1	Spacer-Idler
6	95-0715	1	Pin-Dowel

# Cowl Assembly



## Cowl Assembly (continued)

<i>Ref.</i>	<i>Part Number</i>	<i>Qty.</i>	<i>Description</i>	<i>Ref.</i>	<i>Part Number</i>	<i>Qty.</i>	<i>Description</i>
2	127-1683	1	Stationary Cowl ASM	7	104-8301	6	Nut-Flange, NI
2:2	117-2718	1	Decal-Arrester, Spark	8	110-9380	4	Screw-HWH
3	127-1687	1	Movable Cowl ASM	9	125-8166-03	1	Plate-Belt Guard
3:2	127-1652	1	Decal-Warning, Electric Mixer	11	67-7320	2	Decal
4	ST44368	1	Pin	13	125-4942	1	Decal
5	ST47182	3	Latch-Rubber	14	125-4947	2	Decal-Mm-650E
6	3234-24	6	Screw-HHF	16	125-8175	1	Decal-Grease

# Attachments and Accessories

## For 68012 MM-650E-S Mortar Mixer

<b>Product Name</b>	<b>Model/Part</b>
31 inch Forged Tow Pole Hitch .....	68056
31 inch Pintel Tow Pole Hitch .....	68058
31 inch Stamped Tow Pole Hitch .....	68060
Trailer Light Kit.....	68062