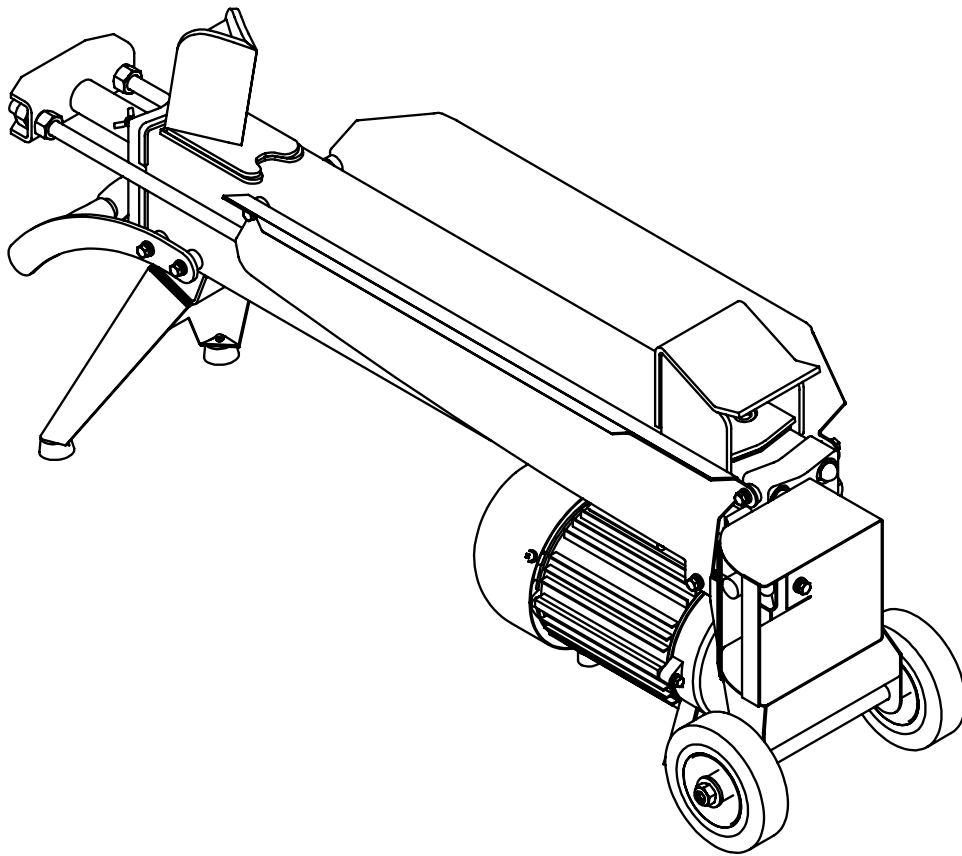
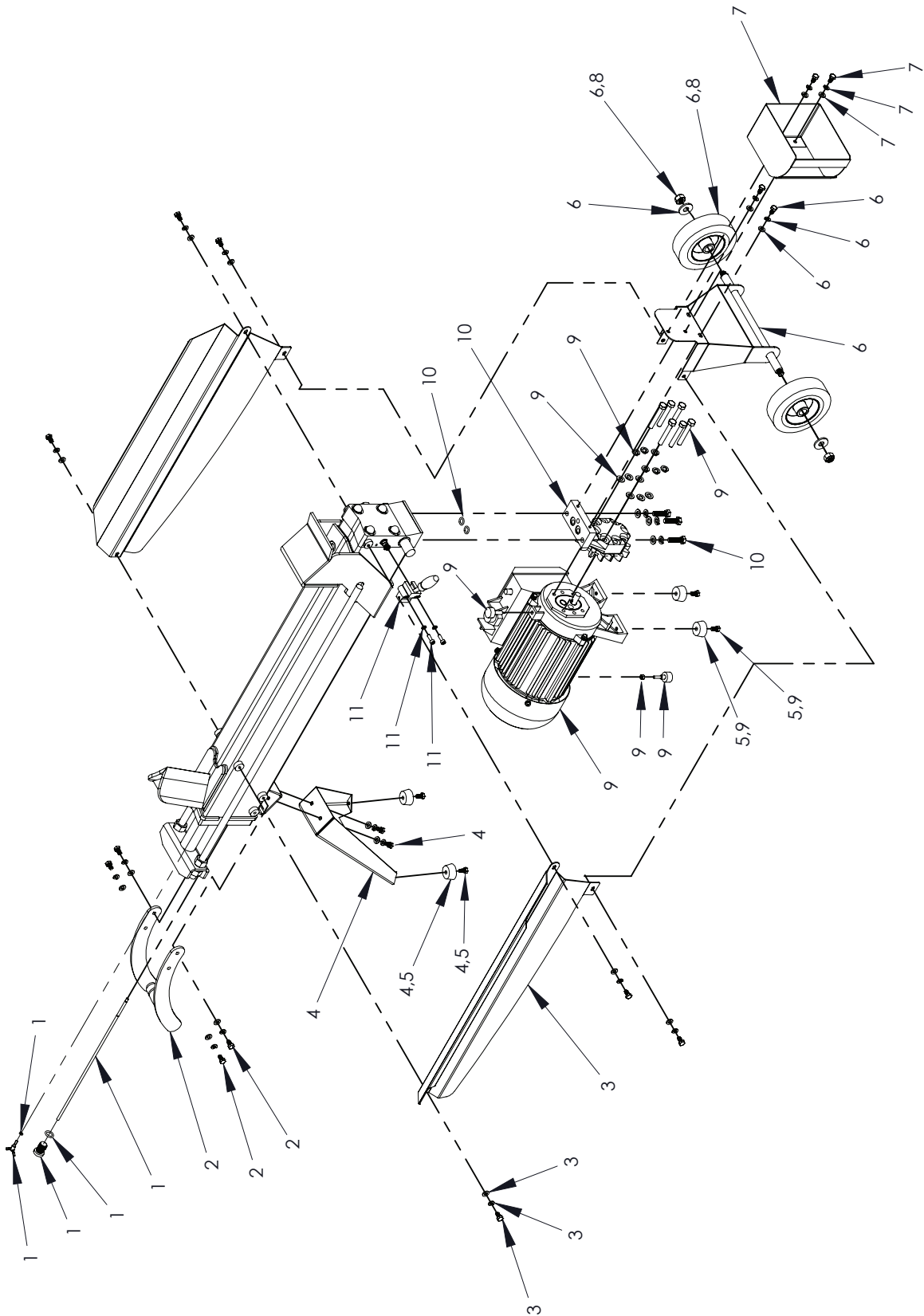


Operator's Manual
Original Operating Instructions

W1200™
5-Ton Electric
Log Splitter



W1200 MINI ELECTRIC LOG SPLITTER BREAKDOWN



W1200™ 5-TON ELECTRIC LOG SPLITTER PARTS LIST

KEY NO.	PART NO.	DESCRIPTION	QTY.
1	11687	DIPSTICK AND BREATHER KIT	1
2	11688	HANDLE REPLACEMENT KIT	1
3	11689	LOG CRADLE REPLACEMENT KIT	1
4	11690	LEG REPLACEMENT KIT	1
5	11691	RUBBER FEET KIT	1
6	11692	WHEELS AND AXLE KIT	1
7	11693	SAFETY GUARD KIT	1
8	11919	WHEELS 16 MM X 120 MM X 35 MM KIT	1
9	W120001	MOTOR ASSEMBLY W1200	1
10	W1200247	PUMP W1200 KIT	1
11	W1200248	CONTROL LEVER ASSEMBLY KIT	1