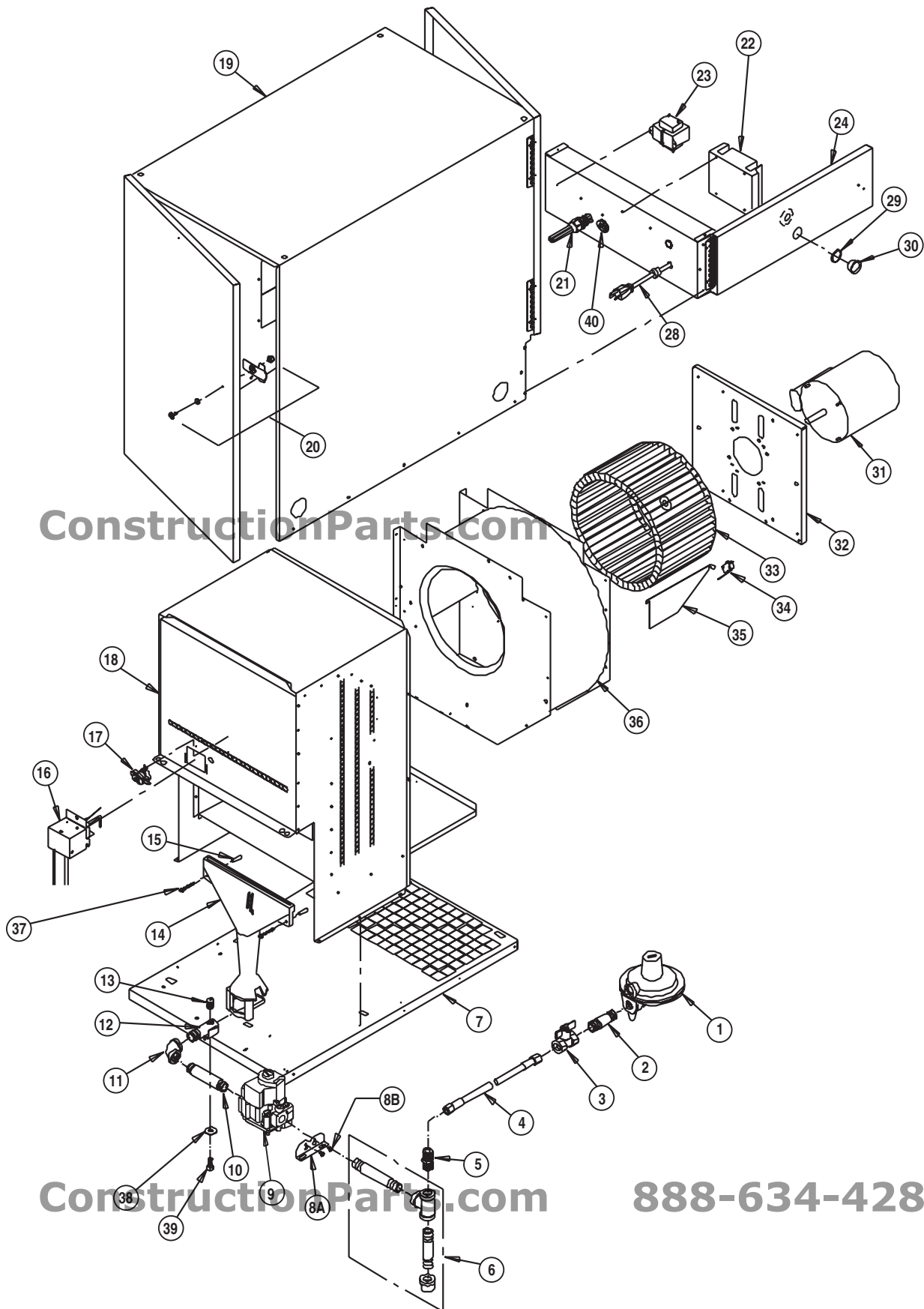


# Parts Identification

GreenGro 120  
Model HD120B

888-634-4289

## PARTS SCHEMATIC



ConstructionParts.com

888-634-4289

**PARTS LIST**

<b>Item</b>	<b>Description</b>	<b>Part Number</b>
1	Regulator, LP Gas, 2nd Stage, Vent Over Outlet	06553
	Regulator, LP Gas, 2nd Stage, Vent Over Side	06665
	Regulator, Natural Gas (5 PSIG Inlet, 13.5 Outlet)	23360
2	Nipple, 3 1/2 in.	07148
3	Valve, Manual Shut Off	05548
4	Hose, 1/2 in. ID x 10 ft. with Adapter	20714
5	Adapter, Hose, 1/2 NPT x 1/2 NPS	02894
6	Kit, Sediment Trap	00815
7	Base	20136
8A	Bracket, Gas Control Valve	21768
8B	Screw, 8-32 x 1/4	09425
9	Valve, Gas Control: LP Gas	23837
	Valve, Gas Control: Natural Gas	23838
10	Nipple, 1/2 in. x 3 in.	02972
11	EII	01359
12	Manifold	09291
13	Orifice, Burner: LP Gas	23530
	Orifice, Burner: Natural Gas	23531
14	Burner	21724
15	Spacer	02687
16	Igniter and Sensor Assembly	22473
17	Switch, High Limit	05566
18	Chamber, Heat	23566
19	Case, Assembly with Doors and Latches (2)	20149
20	Latch Assembly	20959
21	Harness, Wiring	22842
22	Control, Ignition	22461
23	Transformer, 120/24 v.	09615
24	Cover, Control Box	22465
28	Cord, Power, 10 ft.	20133
29	O-Ring	08347
30	Plug, Window	08255
31	Motor, 1/3 HP, Ball Bearing	20169
32	Mount, Motor	08647
33	Wheel, Fan	09050
34	Switch, Air Proving	02680
35	Flapper	09076
36	Housing, Fan, with Flapper, Air Proving Switch and Motor Mount	20148
37	Screw, Burner	02688
38	Washer	01589
39	Bolt	02692

(1) Complete control box assembly, including wires, transformer, ignition control and power cord is part number 22460.

(2) Specify model number and fuel type when ordering.