

PARTS LIST MANUAL

MODEL ALR-BS

CHISEL SCALER



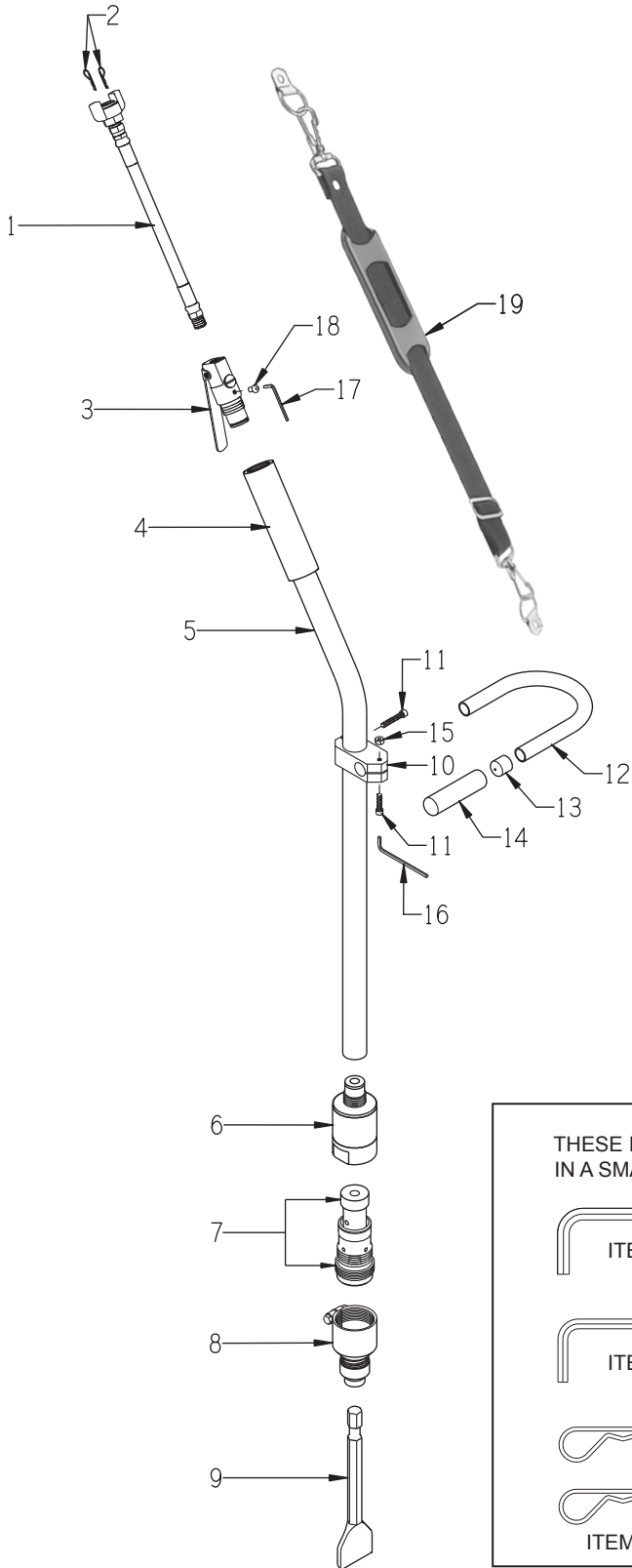
**The
Big
Stick™**

PART # 27100 - ERGONOMIC MODEL (SHOWN)

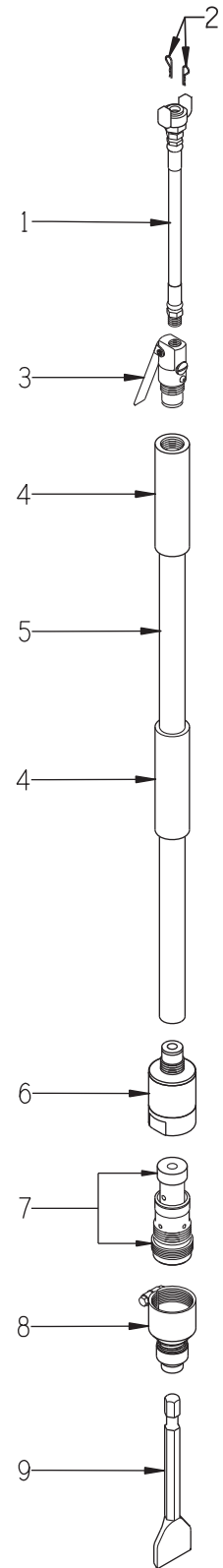
PART # 27200 - STRAIGHT MODEL

ILLUSTRATION 1: BIG STICK ASSEMBLIES

ERGONOMIC MODEL



STRAIGHT MODEL



PARTS LISTING - ILLUSTRATION 1: BIG STICK ASSEMBLIES			
ITEM #	PART #	DESCRIPTION	QTY.
1	27025	HOSE ASSEMBLY 12", WHIP, ALR-BS	1
2	61066	PIN, HAIR COTTER, .080" X 1-9/16" OAL	2
3	27001	VALVE BODY ASSEMBLY, ALR-BS	1
4	27026	GRIP, FOAM 1-1/2" ID X 8" L, ALR-BS	1 OR 2
5	27005	CASING, STRAIGHT STEEL 44-1/2"	1
	27006	CASING, STEEL, ERGONOMIC, ALR-BS	1
6	27008	CYLINDER HOUSING ASSEMBLY, ALR-BS	1
7	27028	PISTON & CYLINDER ASSEMBLY, ALR-BS	1
8	27014	CHISEL HOLDER ASSY., 7/8" HEX SHANK	1
9	27033	BS-3 CHISEL, 3" SINGLE BEVEL	1
10	27007	CLAMP, HANDLE, ALR-BS	1
11	10856	SCREW, SKT. HD. CAP 1/4-20 X 1-1/2	2
12	C10588	HANDLE, U-SHAPED, ERGONOMIC ALR/BS	1
13	C10598	CAP, BLACK VINYL 1" ID X 1" H	1
14	61067	GRIP, FOAM 7/8" ID X 5" L	1
15	10015	NUT, HEX LOCK 1/4-20 ZINC	1
16	66045	WRENCH, HEX L-KEY 3/16", LONG-ARM	1
17	11564	WRENCH, HEX KEY 5/32 IN.	1
18	11578	SCREW, SKT. BUTTON HD. 1/4-20 X 1/2	1
19	24040	STRAP, SHOULDER, ALR/BS	1

BIG STICK CHISEL SCALER ACCESSORIES (SHOWN BELOW)			
ITEM #	PART #	DESCRIPTION	QTY.
1	27031	BS-2 CHISEL, 2" SINGLE BEVEL	1
2	27033	BS-3 CHISEL, 3" SINGLE BEVEL	1
3	27034	BS-3M BLADE ADAPTER (LESS BLADE)	1
4	27035	BS-6S SCRAPER BLADES 6"	5 PACK
5	27037	BS-MPT CHIPPING POINT	1

O-RING KIT - PART # 27030 (INCLUDES ALL O-RINGS)		
PART #	O-RING SIZE	QTY.
27020	2 X 30MM	2
27021	2 X 52MM	1
27022	2 X 55MM	1
27023	2 X 65MM	1
27024	2 X 67MM	1
27038	#205, 7/16 X 11/16 VITON	1
27039	2 X 18MM	1

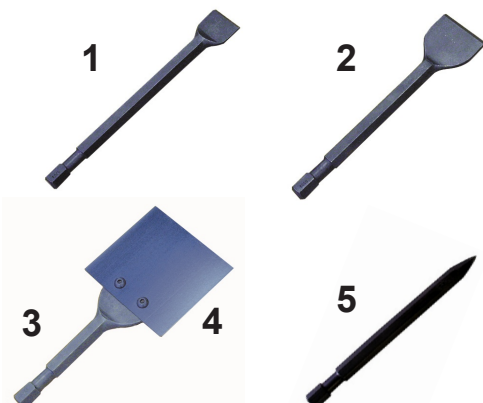
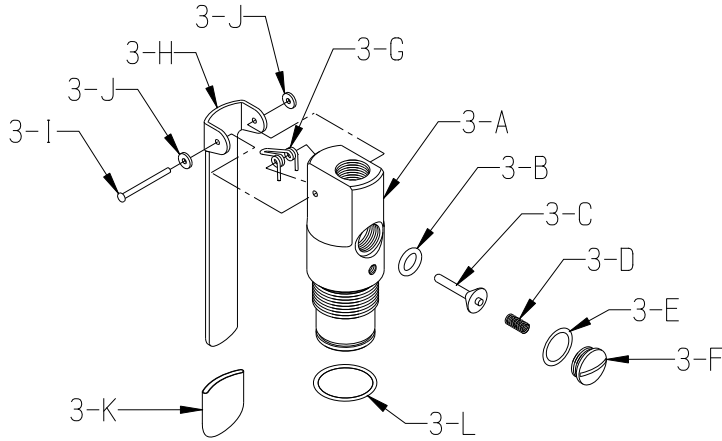
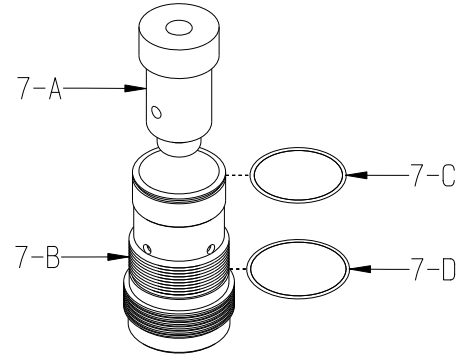


ILLUSTRATION 2: BIG STICK SUB-ASSEMBLIES

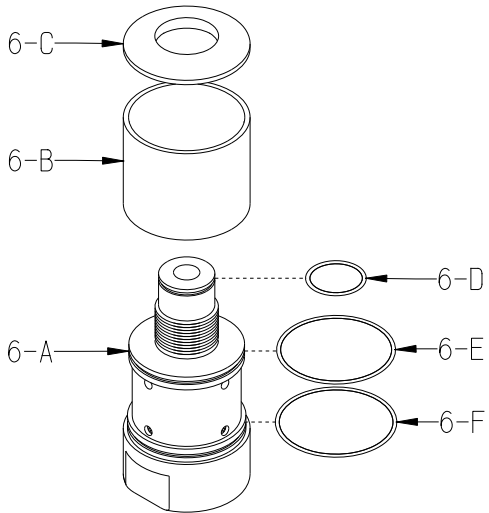
**ITEM # 3 PART # 27001
VALVE BODY ASSEMBLY**



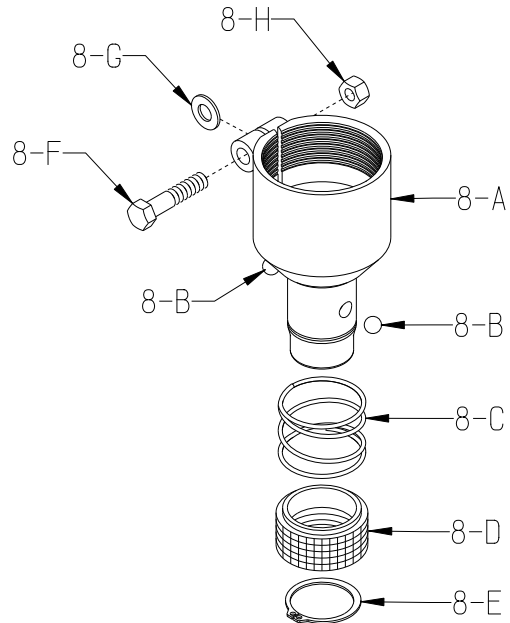
**ITEM # 7 PART # 27028
PISTON & CYLINDER ASSEMBLY**



**ITEM # 6 PART # 27008
CYLINDER HOUSING ASSEMBLY**



**ITEM # 8 PART # 27014
CHISEL HOLDER ASSEMBLY**



PARTS LISTING - ILLUSTRATION 2: BIG STICK SUB-ASSEMBLIES			
ITEM #	PART #	DESCRIPTION	QTY.
3	27001	VALVE BODY ASSEMBLY, ALR-BS	1
3-A	27002	VALVE BODY, ALR-BS	1
3-B	27038	O-RING #205, 7/16 X11/16 VITON	1
3-C	27003	VALVE STEM, ALR-BS	1
3-D	C10607	SPRING, VALVE STEM, ALR-BS	1
3-E	27039	O-RING 2X 18MM	1
3-F	27004	RETAINER, VALVE STEM, ALR-BS	1
3-G	C10585	SPRING, DOUBLE TORSION	1
3-H	27027	LEVER, AIR VALVE 6-1/2"	1
3-I	11556	RIVET, SEMI-TUBULAR OVAL HEAD 1/8 X 1-1/2	1
3-J	11557	WASHER, RIVET 1/8 X 3/8 X 1/16THK	2
3-K	C10569	GRIP, FLAT RED .125 X .75 X 1.5"L	1
3-L	27020	O-RING 2 X 30MM	1
6	27008	CYLINDER HOUSING ASSEMBLY, ALR-BS	1
6-A	27009	CYLINDER HOUSING MAIN BODY, ALR-BS	1
6-B	27010	CYLINDER HOUSING SLEEVE, ALR-BS	1
6-C	27011	CYLINDER HOUSING CAP, ALR-BS	1
6-D	27020	O-RING 2 X 30MM	1
6-E	27023	O-RING 2 X 65MM	1
6-F	27024	O-RING 2 X 67MM	1
7	27028	PISTON & CYLINDER ASSEMBLY, ALR-BS	1
7-A	27013	PISTON (HAMMER), ALR-BS	1
7-B	27012	CYLINDER, ALR-BS	1
7-C	27021	O-RING 2 X 52MM	1
7-D	27022	O-RING 2 X 55MM	1
8	27014	CHISEL HOLDER ASSY., 7/8"HEX SHANK	1
8-A	27015	CHUCK BODY, ALR-BS	1
8-B	27017	BALL, CHROME 3/8	2
8-C	27018	SPRING, COMP. 1.906"OD X 1.41"FL	1
8-D	27016	COLLAR, KNURLED, BALL LOCKING	1
8-E	27019	RETAINING RING, EXT. 1-1/2"	1
8-F	27029	SCREW, CAP 3/8-16 X 1-3/4, ALR-BS	1
8-G	10025	WASHER, FLAT 3/8 SAE ZINC	1
8-H	10810	NUT, HEX LOCK 3/8-16 ZINC	1