

P/N 506056-01 REV. C 03/2010

Direct-Vent

DAVE LENNOX
signature
COLLECTION

Tested &
Listed By  Portland
Oregon USA
OMNI-Test Laboratories, Inc.

OTL Report No. 050-S-18b-5

MODEL

SDVI

Ce manuel d'installation est disponible en français, simplement en faire la demande. Numéro de la pièce 506056-02.

WARNING AVERTISSEMENT

**HOT GLASS WILL
CAUSE BURNS.**

**DO NOT TOUCH GLASS
UNTIL COOLED.**

**NEVER ALLOW CHILDREN TO
TOUCH GLASS.**



**UNE SURFACE VITRÉE CHAUDE PEUT
CAUSER DES BRÛLURES.**

**LAISSER REFROIDIR LA SURFACE
VITRÉE AVANT D'Y TOUCHER.**

**NE PERMETTEZ JAMAIS À UN ENFANT
DE TOUCHER LA SURFACE VITRÉE.**

This appliance may be installed in an aftermarket permanently located, manufactured home (USA only) or mobile home, where not prohibited by local codes. This appliance is only for use with the type of gas indicated on the rating plate. This appliance is not convertible for use with other gases, unless a certified kit is used.

WARNING: If the information in these instructions is not followed exactly, a fire or explosion may result causing property damage, personal injury or death.

- Do not store or use gasoline or other flammable vapors and liquids in the vicinity of this or any other appliance.
- **WHAT TO DO IF YOU SMELL GAS**
 - Do not try to light any appliance.
 - Do not touch any electrical switch; do not use any phone in your building.
 - Immediately call your gas supplier from a neighbor's phone. Follow the gas supplier's instructions.
 - If you cannot reach your gas supplier, call the fire department.
- Installation and service must be performed by a qualified installer, service agency or the gas supplier.

**INSTALLER: Leave this manual with the appliance.
CONSUMER: Retain this manual for future reference.**

**INSTALLATEUR: Laissez cette notice avec l'appareil.
CONSOMMATEUR: Conservez cette notice pour consultation ultérieure.**

AVERTISSEMENT: Assurez-vous de bien suivre les instructions données dans cette notice pour réduire au minimum le risque d'incendie ou d'explosion ou pour éviter tout dommage matériel, toute blessure ou la mort.

- Ne pas entreposer ni utiliser d'essence ni d'autres vapeurs ou liquides inflammables dans le voisinage de cet appareil ou de tout autre appareil.
- **QUE FAIRE SI VOUS SENTEZ UNE ODEUR DE GAZ:**
 - Ne pas tenter d'allumer d'appareil.
 - Ne touchez à aucun interrupteur. Ne pas vous servir des téléphones se trouvant dans le bâtiment où vous trouvez.
 - Appelez immédiatement votre fournisseur de gaz depuis un voisin. Suivez les instructions du fournisseur.
 - Si vous ne pouvez rejoindre le fournisseur de gaz, appelez le service des incendies.
- L'installation et l'entretien doivent être assurés par un installateur ou un service d'entretien qualifié ou par le fournisseur de gaz.

REPLACEMENT PARTS - MODEL SDVI

Cat. No.	Description
H6033	Cassette Assembly, NG (if LP, also requires H5464 conversion kit)
H6010	Main Burner Assembly
H5922	Pilot Assembly, Convertible NG or LP
H5938	Gas Control Valve, NG (if LP, also requires H5941 regulator kit)
H5939	Regulator, NG
H5941	Regulator, LP
H5965	Orifice, Main Burner, NG #41
H5964	Orifice, Main Burner, LP #53
H6013	Blower w/Mounting Bracket
H5875	Blower Snap Switch
H5655	Blower Speed Control (rheostat)
H5744	On/Off Switch
H6007	On/Off Switch Wires
H5745	Piezo Igniter
H4635	Wall Thermostat, Digital
H5660	Power Cord (ref. form #506033-04)
H5977	Blower Wire
H5730	Speed Control Wire (for rheostat)
H5869	Log Set
H5863	Bag of Embers (volcanic stone)
H5864	Bag of Rockwool
H5990	Firebox Door w/Glass
H5989	Hardware Package
H5839	Log Set Support

Contact an Authorized Lennox Hearth Products dealer to obtain any of these parts. Never use substitute materials. Use of non-approved parts can result in poor performance and safety hazards.



WARNING


Failure to position the parts in accordance with these diagrams or failure to use only parts specifically approved with this appliance may result in property damage or personal injury.


AVERTISSEMENT

Risque de dommages ou de blessures si les pièces ne sont pas installées conformément à ces schémas et ou si des pièces autres que celles spécifiquement approuvées avec cet appareil sont utilisées.

ACCESSORIES

Cat. No.	Model	Description
<div style="display: flex; justify-content: space-around; align-items: center;"> <div style="text-align: center;">  <p>Wall Thermostat</p> </div> <div style="text-align: center;">  <p>Remote Control</p> </div> </div>		
70005	RT-AC	Remote Thermostat AC <i>(ref. form #775280M)</i>
H0251	RCL-STAT	Remote Control, RCL-STAT, Deluxe Thermostat DC <i>(ref. form #750129M)</i>
H4635	DWTK	Wall Thermostat, Digital
75273	GASINS-RSCP-B	Round Black On/Off Switch Cover Plate

Gas Conversion Kits		
		
H5464	MED-CK-NG to LP	Conversion Kit NG to LP <i>(ref. form #775246M)</i>
H5465	MED-CK-LP to NG	Conversion Kit LP to NG <i>(ref. form #775237M)</i>

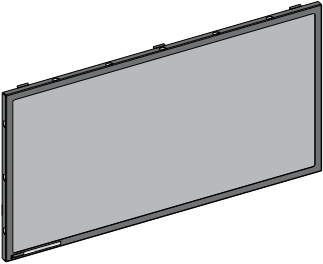
Touch-Up Paint Kit		
		
70K99	TSPK-B	Touch-Up Paint, Metallic Black (12 oz aerosol)


Finish Panels / Front Supports		
75264	MED-ZC-SPPT	"ZC Lower Finish Panel/Trad Face Support, * Requires Trim Piece below" <i>(ref. form #775257M)</i>
75251	GFHKET-B	Extended Side Trim Kit, Black <i>(ref. form #775208M)</i>

Face / Surround Panel Kits (Required) - Includes Black Face, Surround, and Black Trim		
Cat. No.	Model	Description
H7014	SDVI-A-B	Arched Black Face, Surround (27" x 39"), and Black Trim
H7015	SDVI-A-BRN	Arched Brushed Nickel Face, Surround (27" x 39"), and Black Trim
H7016	SDVI-A-BKN	Arched Black Nickel Face, Surround (27" x 39"), and Black Trim



Arched Face

<p>Barrier Screen Kit (ref. form #506033-27)</p> 		
H7726	MED/SDVI-BS	Barrier Screen Kit

<p>Vent Kits</p> 		
H0909	FKDVI	Flex Liner Kit, DVI 3" X 35' (requires 2, one for exhaust and one for intake)
TKDVI	TKDVI	Termination Kit, DVI (termination cap and flashing)
DV3FK35	DV3FK35	Flex Liner and Termination Kit, 3" X 35' (includes two flex liners, termination cap and four gear clamps)

NOTE: The form numbers referenced are the part numbers of the instruction sheets included in kits.