

# **OPERATION AND PARTS MANUAL**



## **MODEL GDP-5H High Cycle Generator (HONDA GASOLINE ENGINE)**

Revision #2 (10/05/05)

**THIS MANUAL MUST ACCOMPANY  
THE EQUIPMENT AT ALL TIMES.**

## Multiquip GDP-5H — AC Portable Generator

|   |       |
|---|-------|
| Here's How To Get Help .....                    | 3     |
| Table Of Contents .....                         | 4     |
| Parts Ordering Procedures .....                 | 5     |
| Safety Message Alert Symbols .....              | 6-7   |
| Rules for Safe Operation .....                  | 8-10  |
| Operation and Safety Decals .....               | 11    |
| Specifications (Generator) .....                | 12    |
| Specifications (Engine) .....                   | 13    |
| Dimensions .....                                | 14    |
| General Information .....                       | 15    |
| Load Application .....                          | 16    |
| Load Application/Earth Leakage Breaker .....    | 17    |
| Controls and Indicators .....                   | 18-20 |
| Generator Refueling .....                       | 21    |
| Installation .....                              | 22-23 |
| Pre-Inspection .....                            | 24    |
| Pre-Inspection (Engine) .....                   | 25    |
| Initial Start-up (Engine) .....                 | 26    |
| Initial Start-up/Generator Operation .....      | 27-28 |
| Shut-down/Long Term Storage .....               | 29    |
| Maintenance (Engine) .....                      | 30-31 |
| Wiring Diagram Gen. (S/N 5541049 & below) ..... | 32    |
| Wiring Diagram Gen. (S/N 5543731 & above) ..... | 33    |
| Troubleshooting (Engine) .....                  | 34-35 |
| Troubleshooting (Generator) .....               | 36    |
| Explanation of Code In Remarks Column .....     | 38    |
| Suggested Spare Parts .....                     | 39    |

## HONDA GX340K1EDN2 ENGINE

|                                |       |
|--------------------------------|-------|
| Air Cleaner Assembly .....     | 50-51 |
| Camshaft Assembly .....        | 52-53 |
| Carburetor Assembly .....      | 54-55 |
| Control Assembly .....         | 56-57 |
| Crankcase Cover Assembly ..... | 58-59 |
| Crankshaft Assembly .....      | 60-61 |
| Cylinder Barrel Assembly ..... | 62-63 |
| Cylinder Head Assembly .....   | 64-65 |
| Fan Cover Assembly .....       | 66-67 |
| Flywheel Assembly .....        | 68-69 |
| Ignition Coil Assembly .....   | 70-71 |
| Piston Assembly .....          | 72-73 |
| Recoil Starter Assembly .....  | 74-75 |
| Solenoid Assembly .....        | 76-77 |
| Label Assembly .....           | 78-79 |

|  |    |
|--|----|
| Terms and Conditions Of Sale — Parts ..... | 80 |
|--|----|

## Component Drawings

|                            |       |
|----------------------------|-------|
| Nameplate and Decals ..... | 40-41 |
| Generator Assy. ....       | 42-43 |
| Control Box Assy. ....     | 44-45 |
| Muffler Assy. ....         | 46-47 |
| Pipe Frame Assy. ....      | 48-49 |

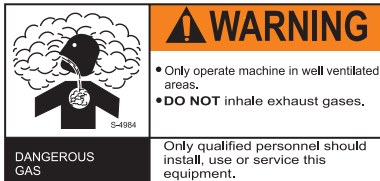
# GDP-5H — OPERATION AND SAFETY DECALS

## Machine Safety Decals

The GDP-5H portable generator is equipped with a number of safety decals (Figure 1). These decals are provided for operator safety and maintenance information. The illustration below shows these decals as they appear on the machine. Should any of these decals become unreadable, replacements can be obtained from your dealer.

**MQ MULTIQUIP 5000**

P/N A4561000103



P/N 8700611804



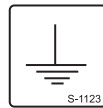
P/N 1980680004



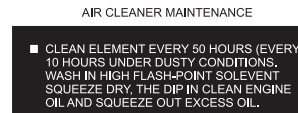
CONTACT  
MQ PARTS DEPT.



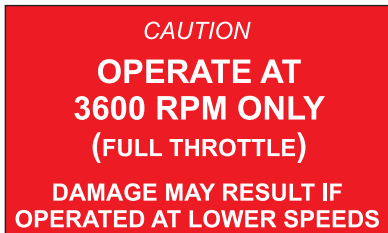
P/N 8700611904



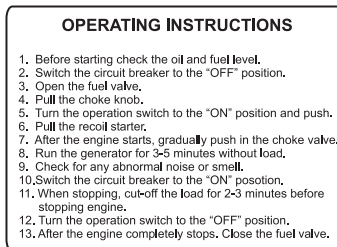
P/N 0800628504



P/N 060050045



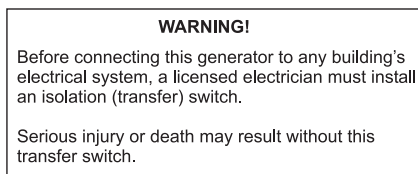
P/N 7900636004



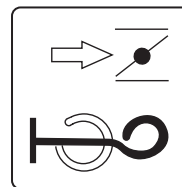
P/N A9521200104



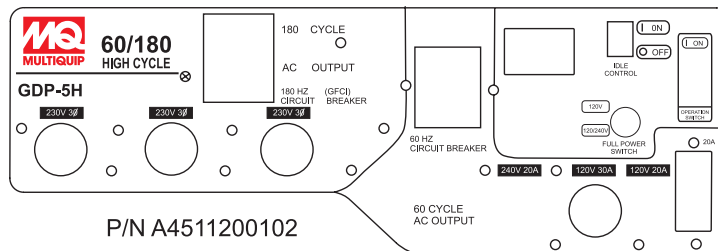
P/N 35137



P/N 0820610404



P/N 0600500047



P/N A4511200102

Figure 1. Operation and Safety Decals

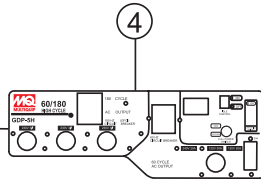
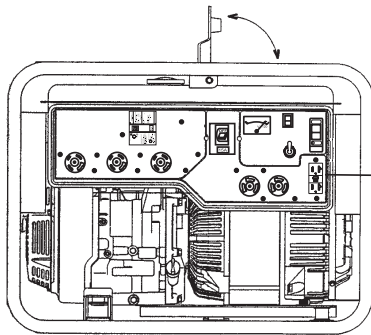
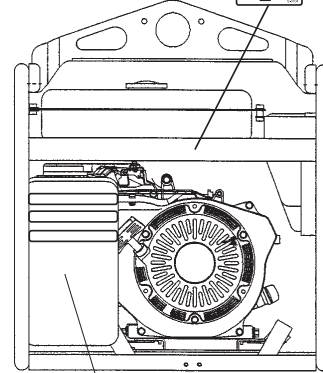
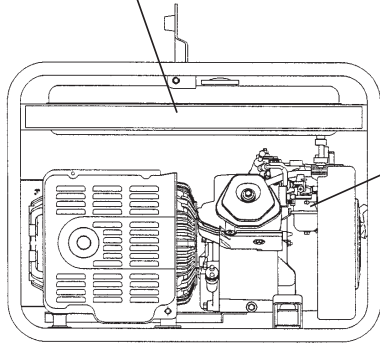
## GDP-5H 1 TO 3 UNITS WITH HONDA GX340K1EDN2 ENGINE

### *1 to 3 Units*

| <u>Qty.</u> | <u>P/N</u>  | <u>Description</u>  |
|-------------|-------------|---------------------|
| 1           | A9924800014 | CAP FUEL TANK       |
| 1           | A9924800004 | FILTER FUEL         |
| 1           | 3015419604  | SHOCK MOUNT         |
| 4           | 1665419004  | SHOCK MOUNT         |
| 1           | 9807955846  | SPARK PLUG          |
| 1           | 34150ZH7003 | ALERT UNIT, OIL     |
| 2           | 28462ZV7003 | ROPE, RECOIL        |
| 2           | 17211899000 | ELEMENT AIR CLEANER |

# GDP-5H — NAMEPLATE AND DECALS.

**MULTIQUIP 5000** ①

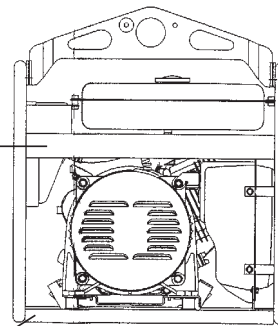


AIR CLEANER MAINTENANCE

■ CLEAN ELEMENT EVERY 80 HOURS (EVERY 10 HOURS UNDER DUSTY CONDITIONS). WASH IN HIGH FLASH-POINT SOLVENT. SQUEEZE DRY. THE TIP IN CLEAN ENGINE OIL AND SQUEEZE OUT EXCESS OIL.

⑤

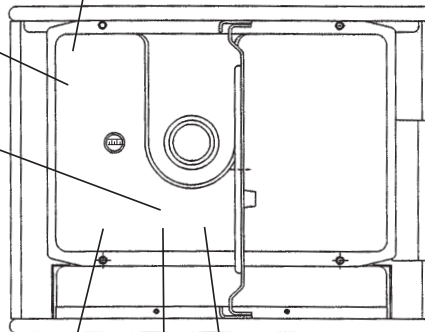
⑥ MODEL SERIAL NO. \_\_\_\_\_



⑬



⑪ CAUTION  
OPERATE AT 3600 RPM ONLY (FULL THROTTLE)  
DAMAGE MAY RESULT IF OPERATED AT LOWER SPEEDS



⑩



⑧

OPERATING INSTRUCTIONS

1. Before starting check the oil and fuel level.
2. Switch the circuit breaker to the "OFF" position.
3. Open the fuel valve.
4. Pull the choke knob.
5. Turn the operation switch to the "ON" position and push.
6. Pull the recoil starter.
7. After the engine starts, gradually push in the choke valve.
8. Run the generator for 2-4 minutes without load.
9. Check for any abnormal noise or smell.
10. Switch the circuit breaker to the "ON" position.
11. When stopping, cut-off the load for 2-3 minutes before stopping engine.
12. Turn the operation switch to the "OFF" position.
13. After the engine completely stops, close the fuel valve.

WARNING!

Before connecting this generator to any building's electrical system, a licensed electrician must install an isolation (transfer) switch.

Serious injury or death may result without this transfer switch.

⑨

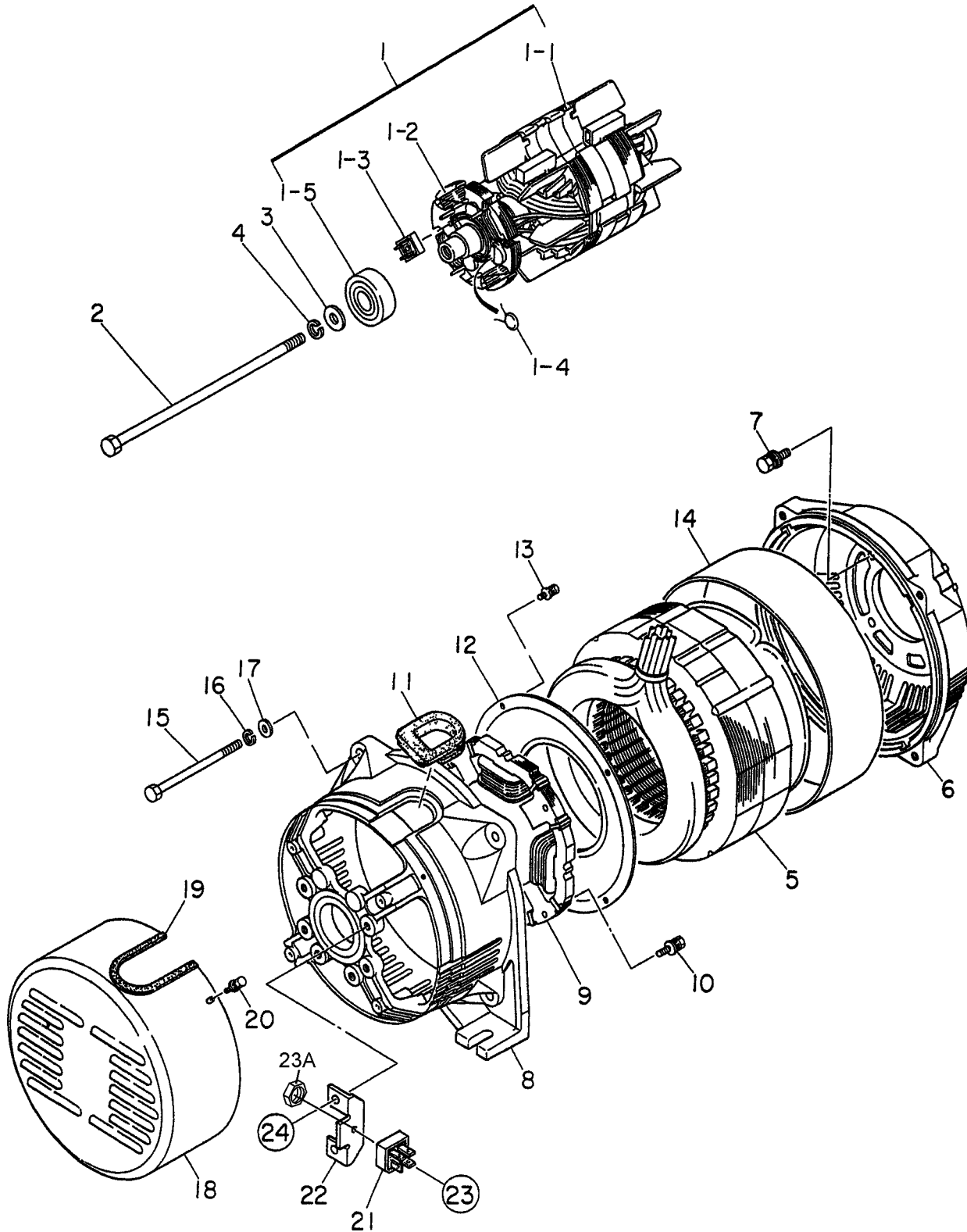
## GDP-5H — NAMEPLATE AND DECALS.

### NAME PLATE ASSY.

| <u>NO.</u> | <u>PART NO.</u> | <u>PART NAME</u>                            | <u>QTY.</u> | <u>REMARKS</u>         |
|------------|-----------------|---|-------------|------------------------|
| 1          | A4561000103     | DECAL; MQ MULTIQUIP 5000                    | 1           |                        |
| 2          | 0600500047      | DECAL; CHOKE                                | 1           |                        |
| 3          | 1980680004      | DECAL; FUEL COCK .....                      | 1 .....     | S-3704                 |
| 4          | A4511200102     | DECAL; CONTROL PANEL .....                  | 1 .....     | A41120010              |
| 5          | 0600500045      | DECAL; AIR CLEANER                          | 1           |                        |
| 6          |                 | NAMEPLATE .....                             | 1 .....     | CONTACT MQ PARTS DEPT. |
| 7          | 0800628504      | DECAL; GROUND .....                         | 1 .....     | S-1123                 |
| 8          | A9521200104     | DECAL; OPERATING INSTRUCTIONS .....         | 1 .....     | A92120010              |
| 9          | 0820610404      | DECAL; WARNING .....                        | 1 .....     | S-3627                 |
| 10         | A9511100004     | DECAL; WARNING .....                        | 1 .....     | A91110000              |
| 11         | 7900636004      | DECAL; CAUTION OPER. AT 3600 RPM ONLY ..... | 1 .....     | S-4461                 |
| 12         | 8700611804      | DECAL; WARNING DANGEROUS GAS .....          | 1 .....     | S-4984                 |
| 13         | 8700611904      | DECAL; DANGER ELECTRICAL SHOCK HAZ. ....    | 1 .....     | S-4985                 |

# GDP-5H — GENERATOR ASSY.

GENERATOR ASSY.



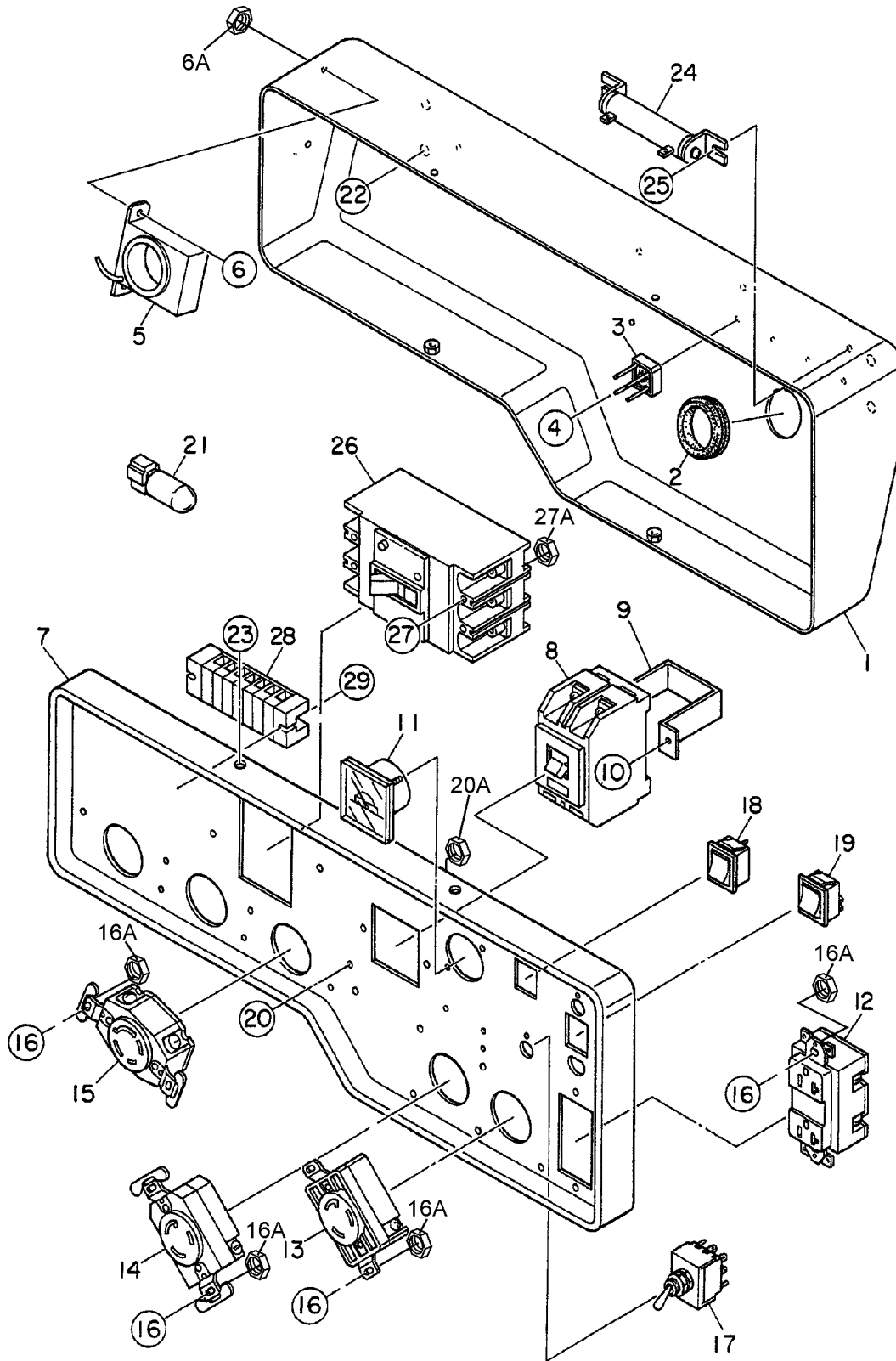
# GDP-5H — GENERATOR ASSY.

## GENERATOR ASSY.

| <u>NO.</u> | <u>PART NO.</u> | <u>PART NAME</u>             | <u>QTY.</u> | <u>REMARKS</u>          |
|------------|-----------------|------------------------------|-------------|-------------------------|
| 1*         | 7851000203      | ROTOR ASSY. ....             | 1           | INCLUDES ITEMS W/*      |
| 1-1*       |                 | FIELD ASSY. ....             | 1           | NOT SOLD SEPERATELY     |
| 1-2*       |                 | ARMATURE ASSY. EXCITER ..... | 1           | NOT SOLD SEPERATELY     |
| 1-3*       | 0601820037      | RECTIFIER .....              | 1           | S10VB60                 |
| 1-4*       | 0601822640      | SURGE ABSORBER .....         | 1           | TNR15G471K              |
| 1-5*       | 0071206304      | BEARING .....                | 1           | 6304DDU                 |
| 2          | 7851017204      | SET BOLT ROTOR               | 1           |                         |
| 3          | 0801086104      | SET WASHER BEARING           | 1           |                         |
| 4          | 030210250       | SPRING WASHER .....          | 1           | REPLACES 0040010000     |
| 5          | A4135000003     | ARMATURE ASSY.               | 1           |                         |
| 6          | 7851315502      | END BRACKET                  | 1           |                         |
| 7          | 0017108020      | HEX HEAD BOLT                | 4           |                         |
| 8          | A4154000002     | END BRACKET                  | 1           |                         |
| 9          | A4138000003     | FIELD ASSY. EXCITER          | 1           |                         |
| 10         | 011208025       | HEX HEAD BOLT .....          | 4           | REPLACES P/N 0017108025 |
| 11         | 1961324003      | GROMMET                      | 1           |                         |
| 12         | 1961313003      | GUIDE PANEL AIR              | 1           |                         |
| 13         | 0011305100      | HEX HEAD BOLT .....          | 4           | REPLACES P/N 0017105012 |
| 14         | 7851334204      | COVER                        | 1           |                         |
| 15         | 7851316804      | SET BOLT STATOR              | 4           |                         |
| 16         | 030208200       | SPRING WASHER .....          | 4           | REPLACES P/N 0040008000 |
| 17         | 031108160       | PLAIN WASHER .....           | 4           | REPLACES P/N 0041208000 |
| 18         | 7851331103      | COVER                        | 1           |                         |
| 19         | 0310300090      | SEAL                         | 1           |                         |
| 20         | 0017105012      | HEX HEAD BOLT                | 4           |                         |
| 21         | 0601820083      | RECTIFIER, S25VB60           | 3           |                         |
| 22         | A4184000004     | BRACKET                      | 3           |                         |
| 23         | 0027104020      | MACHINE SCREW                | 3           |                         |
| 23A        | 0038404000      | HEX NUT                      | 3           |                         |
| 24         | 0017108015      | HEX HEAD BOLT                | 6           |                         |

# GDP-5H — CONTROL BOX ASSY.

CONTROL BOX ASSY.



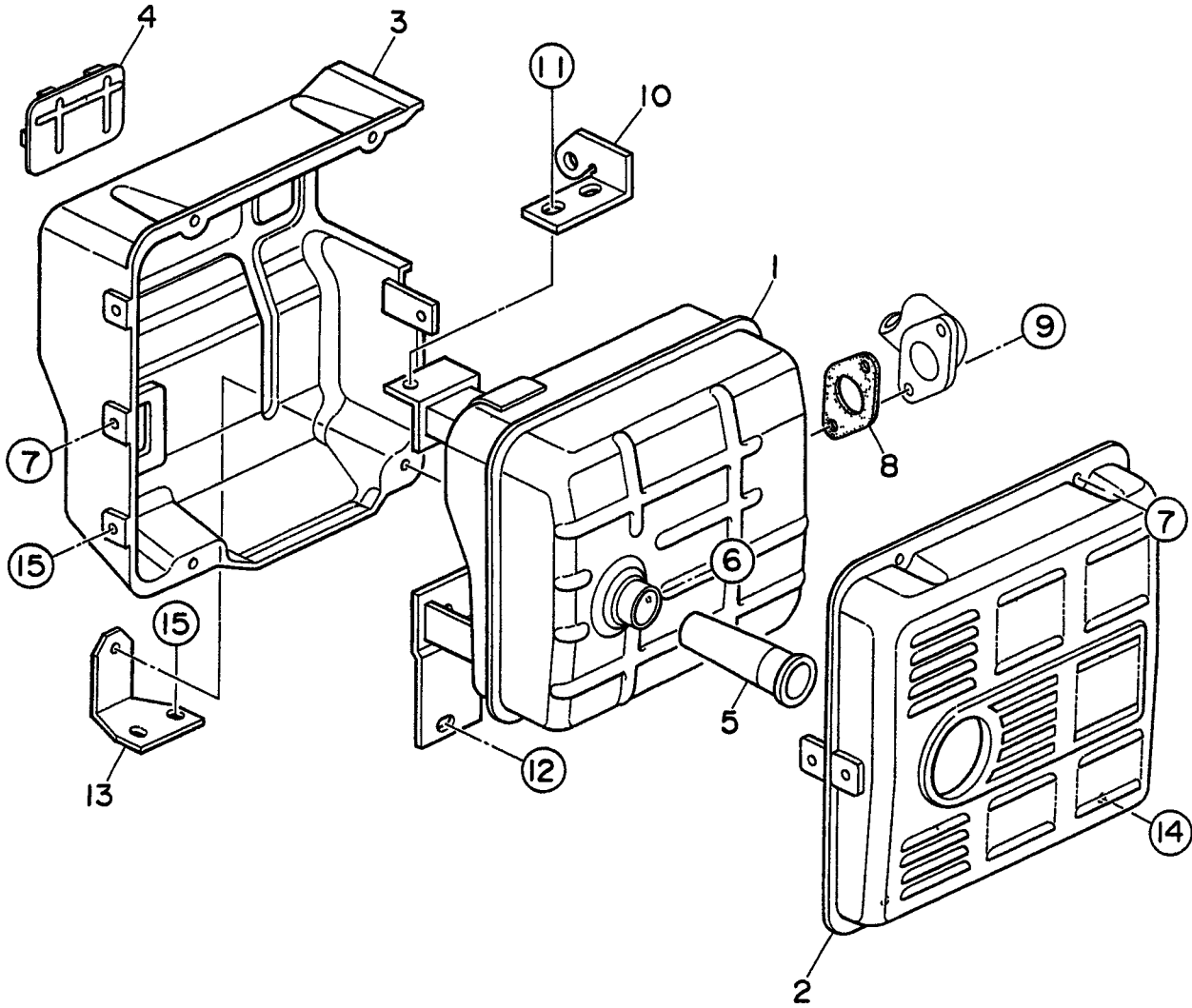
# GDP-5H — CONTROL BOX ASSY.

## CONTROL BOX ASSY.

| <u>NO.</u> | <u>PART NO.</u> | <u>PART NAME</u>          | <u>QTY.</u> | <u>REMARKS</u>         |
|------------|-----------------|---------------------------|-------------|------------------------|
| 1          | A3214000003     | CONTROL BOX               | 1           |                        |
| 2          | 0601851755      | GROMMET .....             | 1           | C-30-NG-79-R           |
| 3          | 0601823204      | RECTIFIER .....           | 4           | S5VB60                 |
| 4          | 0027103012      | MACHINE SCREW             | 4           |                        |
| 5          | 0601823853      | SLOW DOWN UNIT            | 1           |                        |
| 6          | 0027104010      | MACHINE SCREW             | 2           |                        |
| 6          | 0030004000      | NUT HEX .....             | 2           | REPLACESP/N 0207004000 |
| 7          | A4224000003     | CONTROL PANEL             | 1           |                        |
| 8          | 0601802651      | CIRCUIT BREAKER .....     | 1           | KM-2 15A               |
| 9          | 4341817004      | BRACKET CIRCUIT BREAKER   | 1           |                        |
| 10         | 0021004010      | MACHINE SCREW             | 2           |                        |
| 11         | 0601806819      | AC VOLTMETER .....        | 1           | DE450-011 0~120/240V   |
| 12         | 0601812598      | RECEPTACLE .....          | 1           | 5-20R                  |
| 13         | 0601811035      | RECEPTACLE .....          | 1           | L5-30R                 |
| 14         | 0601811032      | RECEPTACLE .....          | 1           | L60-20R                |
| 15         | 0601812594      | RECEPTACLE .....          | 3           | 7410B                  |
| 16         | 0021004010      | MACHINE SCREW             | 12          |                        |
| 16A        | 0030004000      | NUT HEX .....             | 12          | REPLACESP/N 0207004000 |
| 17         | 0601830737      | FULL POWER SWITCH .....   | 1           | ET-330D12              |
| 18         | 0601831620      | IDLE CONTROL SWITCH ..... | 1           | C1550WA                |
| 19         | 0601831620      | OPERATION SWITCH .....    | 1           | C1550WA                |
| 20         | 0021004015      | MACHINE SCREW             | 1           |                        |
| 20A        | 0030004000      | NUT HEX .....             | 1           | REPLACESP/N 0207004000 |
| 21         | A3262800004     | CAPACITOR ASSY. ....      | 1           | VR1H102MHA 50V 1000 F  |
| 22         | 0017106016      | HEX HEAD BOLT             | 4           |                        |
| 23         | 0017105010      | HEX HEAD BOLT             | 4           |                        |
| 24         | 0601842415      | RESISTOR, 7 OHM           | 1           |                        |
| 25         | 0027104010      | MACHINE SCREW             | 2           |                        |
| 26         | 0601807480      | CIRCUIT BREAKER, 12 AMPS  | 1           |                        |
| 27         | 0027104070      | MACHINE SCREW             | 2           |                        |
| 27A        | 0030004000      | NUT HEX .....             | 2           | REPLACESP/N 0207004000 |
| 28         | 0601815465      | TERMINAL BOARD            | 1           |                        |
| 29         | 0027104020      | MACHINE SCREW             | 2           |                        |

# GDP-5H — MUFFLER ASSY.

MUFFLER ASSY.

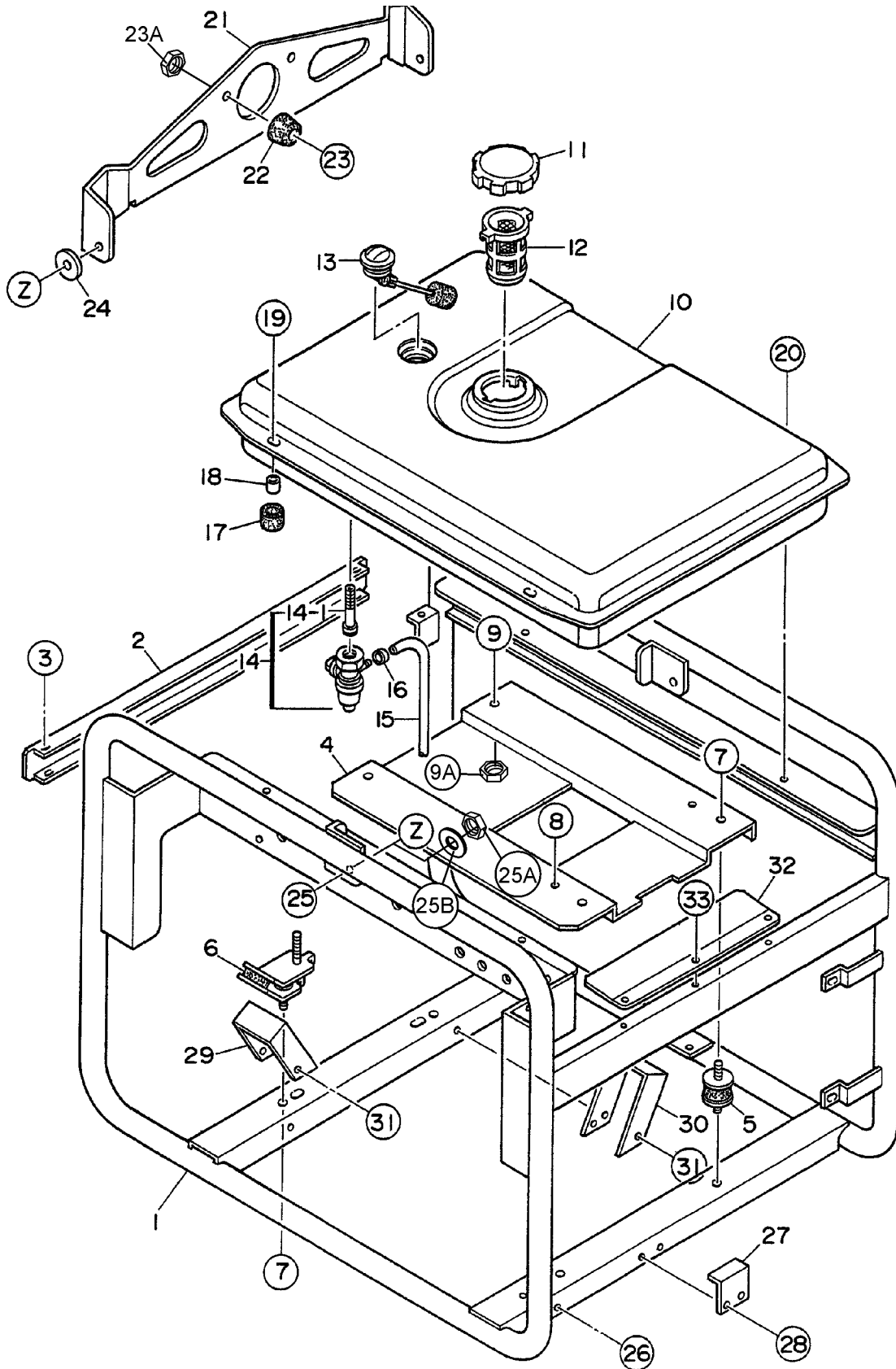


## MUFFLER ASSY.

| <u>NO</u> | <u>PART NO</u> | <u>PART NAME</u>      | <u>QTY.</u> | <u>REMARKS</u>            |
|-----------|----------------|-----------------------|-------------|---------------------------|
| 1         | 7852310003     | MUFFLER               | 1           |                           |
| 2         | 18320ZC2000    | PROTECTOR .....       | 1 .....     | REPLACES P/N 0602302001   |
| 3         | 18325ZB4000    | PROTECTOR .....       | 1 .....     | REPLACES P/N 0602302002   |
| 4         | 18329ZB4000    | SEAL .....            | 2 .....     | REPLACES P/N 0602302003   |
| 5         | 18355ZB4630    | ARRESTOR, SPARK ..... | 1 .....     | REPLACES P/N 0602313060   |
| 6         | 0602322060     | TAPPING SCREW .....   | 1 .....     | REPLACES P/N 90183671003  |
| 7         | 0105050616     | BOLT HEX HEAD .....   | 5 .....     | REPLACES P/N 0017106012   |
| 8         | 18333ZB4800    | GASKET .....          | 1 .....     | REPLACES P/N 0602320175   |
| 9         | 0602322061     | HEX HEAD BOLT .....   | 2 .....     | REPLACES P/N 957000802000 |
| 10        | 7855469004     | BRACKET               | 1           |                           |
| 11        | 011008020      | BOLT HEX HEAD .....   | 1 .....     | REPLACES 0017108020       |
| 12        | 011008020      | BOLT HEX HEAD .....   | 1 .....     | REPLACES 0017108020       |
| 13        | 7905469004     | BRACKET               | 1           |                           |
| 14        | 011206020      | BOLT HEX HEAD .....   | 1 .....     | REPLACES 0017106020       |
| 15        | 0105050616     | BOLT HEX HEAD .....   | 4 .....     | REPLACES 0017106012       |

# GDP-5H — PIPE FRAME ASSY.

## PIPE FRAME ASSY.

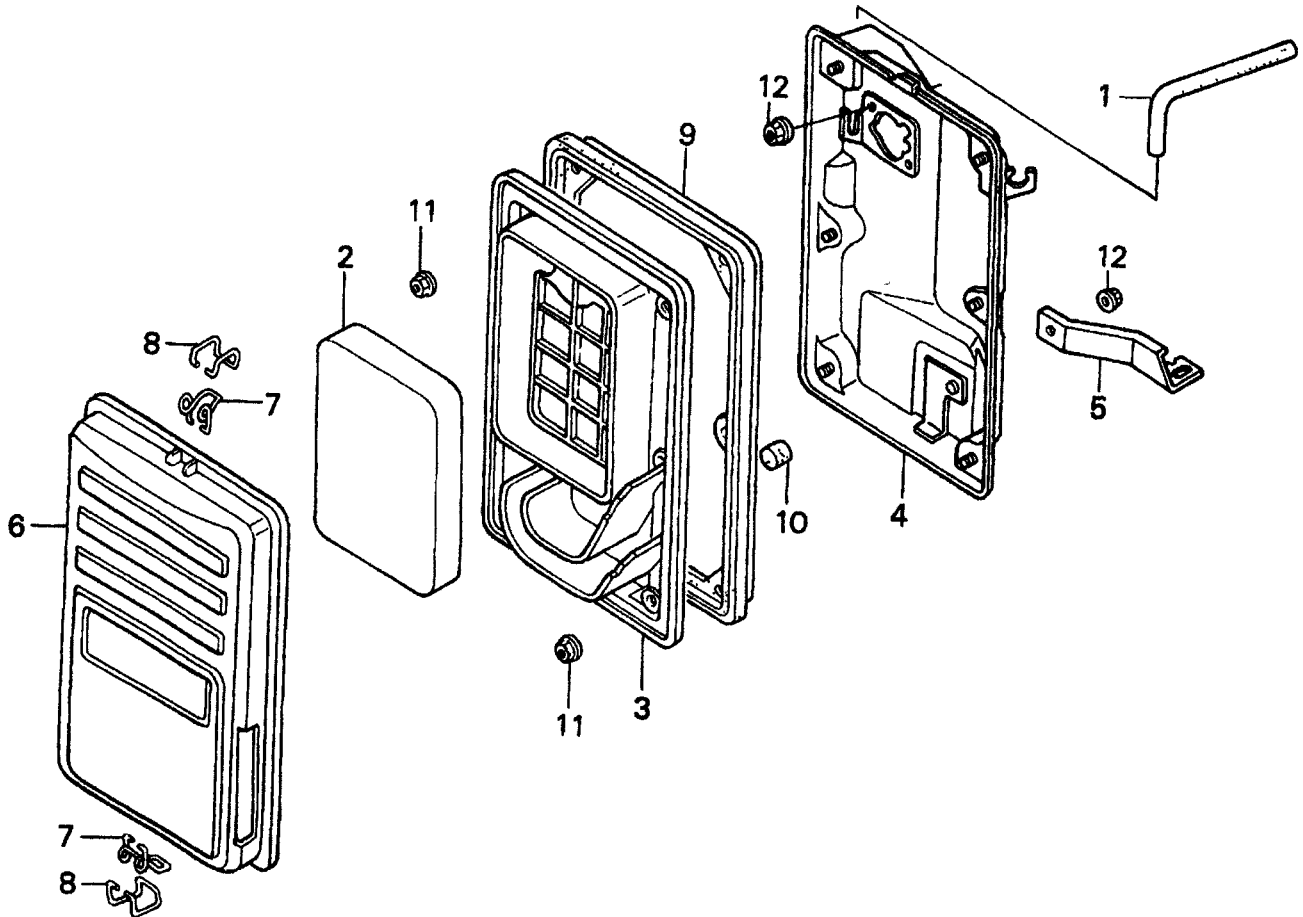


PIPE FRAME ASSY.

| <u>NO.</u> | <u>PART NO.</u> | <u>PART NAME</u>        | <u>QTY.</u> | <u>REMARKS</u>          |
|------------|-----------------|-------------------------|-------------|-------------------------|
| 1          | A4417000102     | PIPE FRAME              | 1           |                         |
| 2          | A3417100004     | BRACKET                 | 1           |                         |
| 3          | 0017106016      | HEX HEAD BOLT           | 4           |                         |
| 4          | 7855411203      | BASE                    | 1           |                         |
| 5          | 3015419604      | RUBBER SUSPENSION       | 2           |                         |
| 6          | 1665419004      | RUBBER SUSPENSION ..... | 2 .....     | REPLACES P/N 1725419214 |
| 7          | 020108060       | NUT HEX .....           | 8 .....     | REPLACES P/N 0207008000 |
| 8          | 011208030       | BOLT HEX HEAD .....     | 2 .....     | REPLACES P/N 0017108030 |
| 9          | 0017108040      | HEX HEAD BOLT           | 2           |                         |
| 9A         | 0207008000      | HEX NUT                 | 2           |                         |
| 10         | 7905512002      | FUEL TANK               | 1           |                         |
| 11         | A9924800014     | CAP FUEL TANK           | 1           |                         |
| 12         | A9924800004     | FUEL FILTER             | 1           |                         |
| 13         | 0602125034      | FUEL GAUGE              | 1           |                         |
| 14         | 16950ZB4015     | FUEL STRAINER .....     | 1 .....     | REPLACES P/N 0605510068 |
| 14-1       | 16952ZB4005     | SCREEN SET .....        | 1 .....     | REPLACES P/N 0605510069 |
| 15         | 950014521040    | HOSE .....              | 1 .....     | REPLACES P/N 0605513146 |
| 16         | 9500202080      | HOSE BAND .....         | 2 .....     | REPLACES P/N 0605515178 |
| 17         | 7855525514      | RUBBER CUSHION          | 2           |                         |
| 18         | 7855525604      | COLLAR                  | 2           |                         |
| 19         | 011208030       | BOLT HEX HEAD .....     | 2 .....     | REPLACES P/N 0017108030 |
| 20         | 011208030       | BOLT HEX HEAD .....     | 2 .....     | REPLACES P/N 0017108020 |
| 21         | A9117200103     | HANGER                  | 1           |                         |
| 22         | 0601850097      | STOPPER                 | 1           |                         |
| 23         | 0021008025      | MACHINE SCREW           | 1           |                         |
| 23A        | 0207008000      | HEX NUT                 | 1           |                         |
| 24         | A9311100004     | PLASTIC WASHER          | 2           |                         |
| 25         | 0011308025      | HEX HEAD BOLT           | 2           |                         |
| 25A        | 0037908000      | HEX NUT                 | 2           |                         |
| 25B        | 0042108000      | PLAIN WASHER            | 2           |                         |
| 26         | 0019206016      | HEX HEAD BOLT           | 1           |                         |
| 27         | 7915456004      | STOPPER                 | 1           |                         |
| 28         | 0017106016      | HEX HEAD BOLT           | 2           |                         |
| 29         | 7915455103      | COVER                   | 1           |                         |
| 30         | 7855455003      | COVER                   | 1           |                         |
| 31         | 0017106016      | HEX HEAD BOLT           | 6           |                         |
| 32         | A4484400004     | COVER                   | 1           |                         |
| 33         | 0017106016      | HEX HEAD BOLT           | 3           |                         |

# HONDA GX340K1EDN2 ENGINE — AIR CLEANER ASSY.

## AIR CLEANER ASSY.



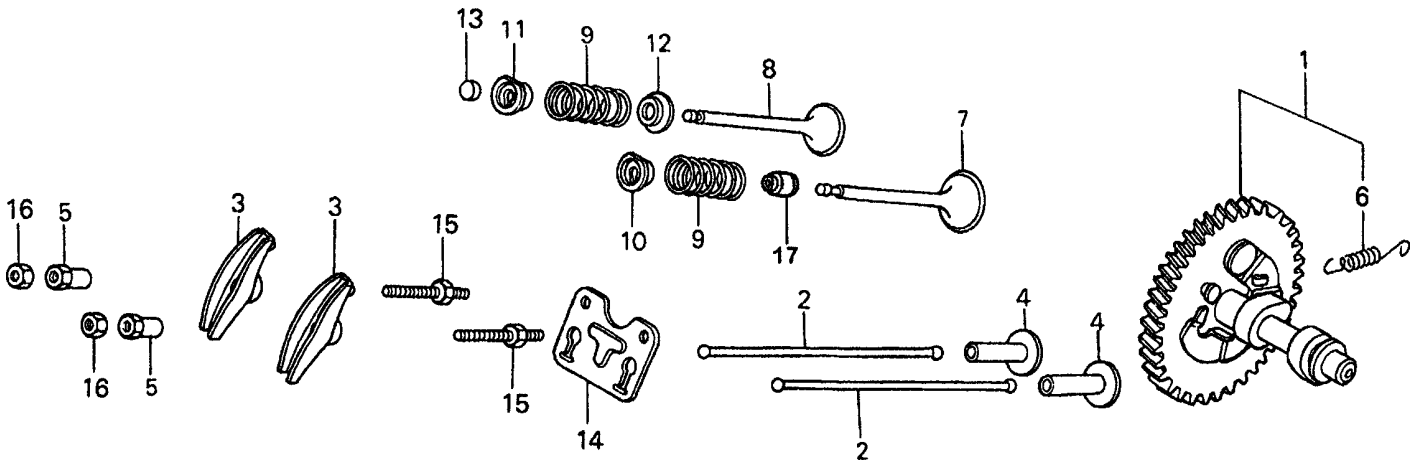
## HONDA GX340K1EDN2 ENGINE — AIR CLEANER ASSY.

### AIR CLEANER ASSY.

| <u>NO.</u> | <u>PART NO.</u> | <u>PART NAME</u>         | <u>QTY.</u> | <u>REMARKS</u> |
|------------|-----------------|--------------------------|-------------|----------------|
| 1          | 15721ZB4000     | TUBE BREATHER            | 1           |                |
| 2          | 17211899000     | ELEMENT, AIR CLEANER     | 1           |                |
| 3          | 17212ZB4003     | SEPARATOR, AIR CLEANER   | 1           |                |
| 4          | 17220ZB4003     | HOUSING, AIR CLEANER     | 1           |                |
| 5          | 17222ZC2000     | STAY, AIR CLEANER        | 1           |                |
| 6          | 17231899000     | COVER, AIR CLEANER       | 1           |                |
| 7          | 17235899000     | CLIP A, AIR CLEANER WIRE | 2           |                |
| 8          | 17236899000     | CLIP B, AIR CLEANER WIRE | 2           |                |
| 9          | 17252899000     | SEAL, AIR CLEANER        | 1           |                |
| 10         | 17367413690     | FILTER, DRAIN TUBE       | 1           |                |
| 11         | 9405005000      | NUT, FLANGE (5MM)        | 6           |                |
| 12         | 9405006000      | NUT, FLANGE (6MM)        | 3           |                |

# HONDA GX340K1EDN2 ENGINE — CAMSHAFT ASSY.

## CAMSHAFT ASSY.



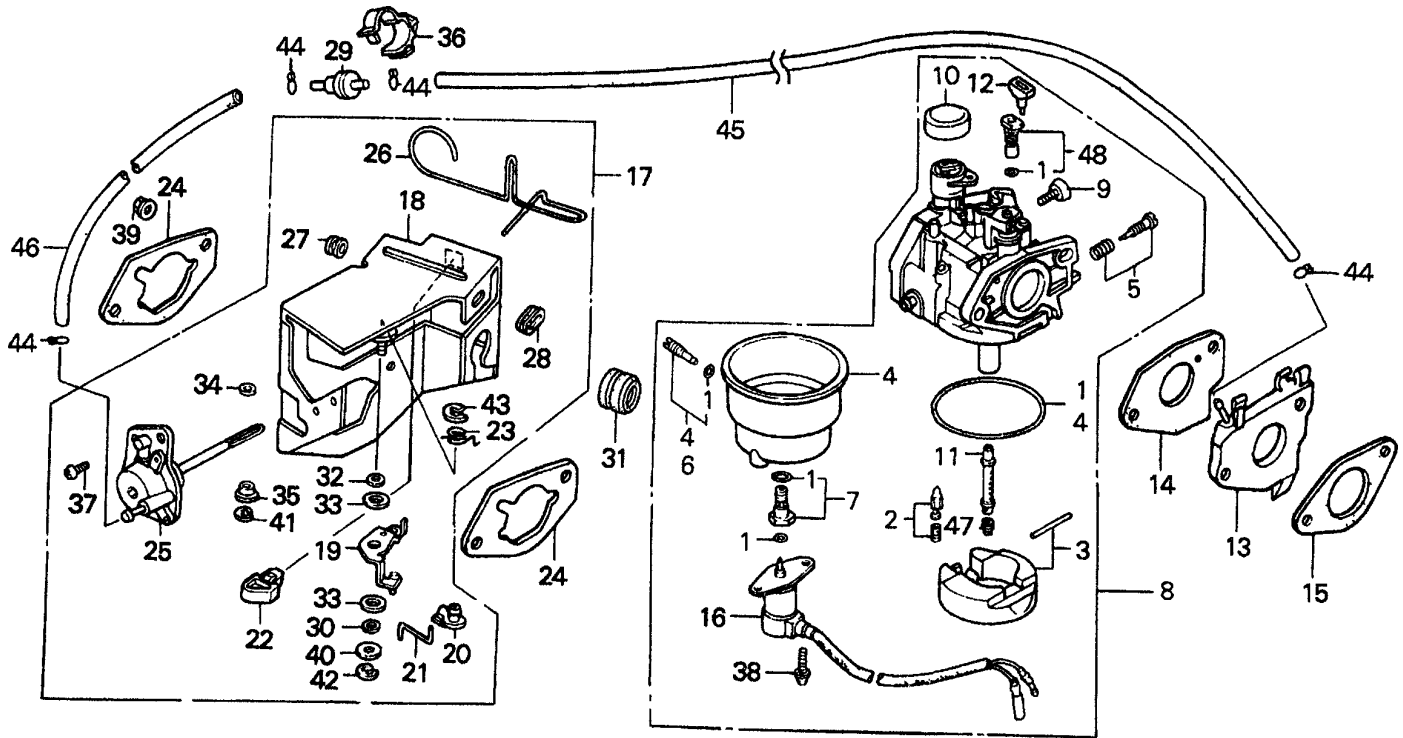
# HONDA GX340K1EDN2 ENGINE — CAMSHAFT ASSY.

## CAMSHAFT ASSY.

| <u>NO.</u> | <u>PART NO.</u> | <u>PART NAME</u>           | <u>QTY.</u> | <u>REMARKS</u>    |
|------------|-----------------|----------------------------|-------------|-------------------|
| 1          | 14100ZE3020     | CAMSHAFT ASSY. ....        | 1           | INCLUDES ITEMS/W* |
| 2          | 14410ZE3013     | ROD, PUSH                  | 2           |                   |
| 3          | 14431ZE2000     | ARM, VALVE ROCKER          | 2           |                   |
| 3          | 14431ZE2010     | ARM, VALVE ROCKER          | 2           |                   |
| 4          | 14441ZE2000     | LIFTER, VALVE              | 2           |                   |
| 5          | 14451ZE1013     | PIVOT, ROCKER ARM          | 2           |                   |
| 6*         | 14568ZE1000     | SPRING, WEIGHT RETURN      | 1           |                   |
| 7          | 14711ZE3000     | VALVE, IN.                 | 1           |                   |
| 8          | 14721ZE3000     | VALVE, EX.                 | 1           |                   |
| 9          | 14751ZE2003     | SPRING, VALVE              | 2           |                   |
| 10         | 14771ZE2000     | RETAINER, IN. VALVE SPRING | 1           |                   |
| 11         | 14773ZE2000     | RETAINER, EX. VALVE SPRING | 1           |                   |
| 12         | 14775ZE2010     | SEAT, VALVE SPRING         | 1           |                   |
| 13         | 14781ZE2000     | ROTATOR, VALVE             | 1           |                   |
| 14         | 14791ZE2010     | PLATE, PUSH ROD GUIDE      | 1           |                   |
| 15         | 90012ZE0010     | BOLT, PIVOT (8MM)          | 2           |                   |
| 16         | 90206ZE1000     | NUT, PIVOT ADJ.            | 2           |                   |

# HONDA GX340K1EDN2 ENGINE — CARBURETOR ASSY.

CARBURETOR ASSY.



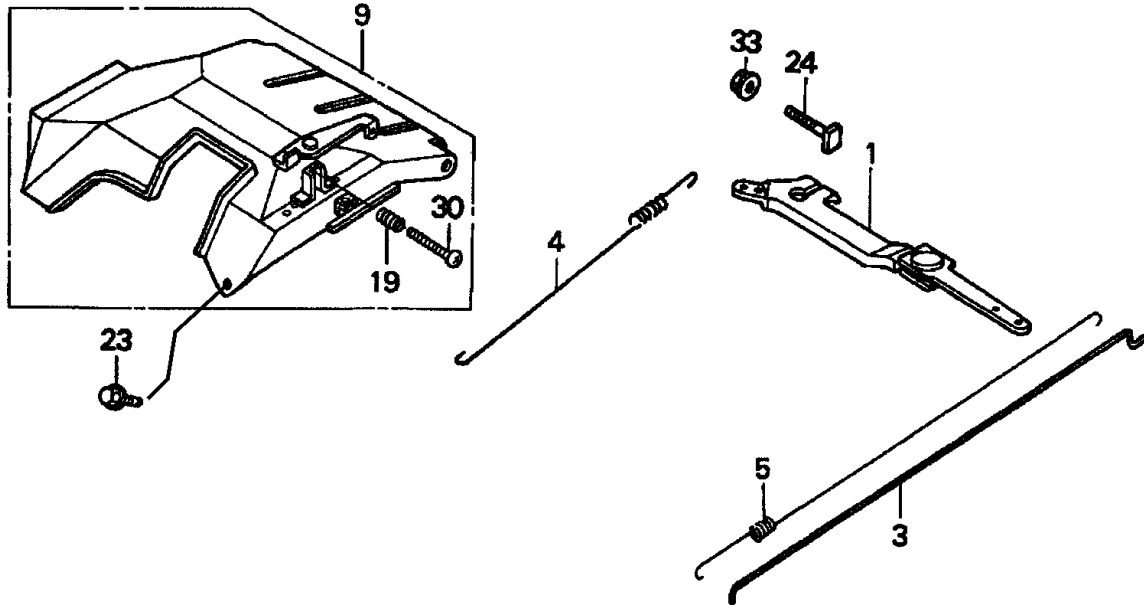
# HONDA GX340K1EDN2 ENGINE — CARBURETOR ASSY.

## CARBURETOR ASSY.

| <u>NO.</u> | <u>PART NO.</u> | <u>PART NAME</u>                       | <u>QTY.</u> | <u>REMARKS</u>     |
|------------|-----------------|--|-------------|--------------------|
| 1*         | 16010ZE3701     | GASKET SET                             | 1           |                    |
| 2*         | 16011ZA0931     | VALVE SET, FLOAT                       | 1           |                    |
| 3*         | 16013ZA0931     | FLOAT SET                              | 1           |                    |
| 4*         | 16015ZA0931     | CHAMBER SET, FLOAT                     | 1           |                    |
| 5*         | 16016ZH7W01     | SCREW SET                              | 1           |                    |
| 6          | 16024124760     | SCREW SET, DRAIN                       | 1           |                    |
| 7*         | 16028ZA0931     | SCREW SET B                            | 1           |                    |
| 8          | 16100ZE3F11     | CARBURETOR ASSY. (BE82B B) .....       | 1           | INCLUDES ITEMS W/* |
| 9*         | 16124ZE0005     | SCREW, THROTTLE STOP                   | 1           |                    |
| 10*        | 16148141881     | CAP, CHOKE LEVER DUST                  | 1           |                    |
| 11*        | 16166ZE3F10     | NOZZLE, MAIN                           | 1           |                    |
| 12*        | 16172ZE3W10     | COLLAR, SET                            | 1           |                    |
| 13         | 16211ZE3700     | INSULATOR, CARBURETOR                  | 1           |                    |
| 14         | 16221ZE3800     | GASKET, CARBURETOR                     | 1           |                    |
| 15         | 16223ZE3800     | GASKET, INSULATOR                      | 1           |                    |
| 16*        | 16230ZE3701     | VALVE ASSY., SOLENOID                  | 1           |                    |
| 17         | 16260ZE2722     | STAY ASSY., MANUAL CHOKE .....         | 1           | INCLUDES ITEMS W/# |
| 18#        | 16261ZE2702     | STAY, SOLENOID                         | 1           |                    |
| 19#        | 16262ZE2711     | LEVER, CHOKE                           | 1           |                    |
| 20#        | 16263ZA0000     | JOINT, ROD                             | 1           |                    |
| 21#        | 16264ZE2701     | ROD, CHOKE                             | 1           |                    |
| 22#        | 16265ZE2721     | STOPPER, CHOKE ROD                     | 1           |                    |
| 23#        | 16268ZE2721     | SPRING, MANUAL CHOKE                   | 1           |                    |
| 24         | 16269ZA0800     | GASKET, AIR CLEANER                    | 2           |                    |
| 25#        | 16400ZE2703     | DIAPHRAGM ASSY.                        | 1           |                    |
| 26#        | 16611ZE2711     | ROD, CHOKE CONTROL                     | 1           |                    |
| 27#        | 16613893000     | GROMMET, CHOKE ROD                     | 1           |                    |
| 28#        | 16615893000     | GUIDE, CHOKE ROD                       | 1           |                    |
| 29         | 36135ZF6D41     | VALVE, DASHPOT CHECK                   | 1           |                    |
| 30#        | 53149964003     | BUSH, ARM PIVOT                        | 1           |                    |
| 31         | 88911MJ3000     | GROMMET, FENDER                        | 1           |                    |
| 32#        | 90431ZE2700     | WASHER, CHOKE LEVER                    | 1           |                    |
| 33#        | 90432ZE2700     | SEAL, CHOKE LEVER                      | 2           |                    |
| 34#        | 90433ZE2700     | WASHER, THRUST (2.7X8)                 | 1           |                    |
| 35#        | 90434ZE2700     | COLLAR, LEVER                          | 1           |                    |
| 36         | 90650SD9003     | CLIP, WIRE HARNESS                     | 1           |                    |
| 37#        | 93500050120A    | SCREW, PAN (5X12)                      | 2           |                    |
| 38         | 938920501208    | SCREW, WASHER (5X12)                   | 2           |                    |
| 39         | 9405006000      | NUT, FLANGE (6MM)                      | 2           |                    |
| 40#        | 9410305000      | WASHER, PLAIN (5MM)                    | 1           |                    |
| 41#        | 9454002010      | E-RING (2MM)                           | 1           |                    |
| 42#        | 9454004010      | E-RING (4MM)                           | 1           |                    |
| 43#        | 9454007010      | E-RING (7MM)                           | 1           |                    |
| 44         | 9500202070      | CLIP, TUBE (B7)                        | 4           |                    |
| 45         | 950053500810M   | BULK HOSE, VACUUM (3.5X8000) (3.5X75)  | 1           |                    |
| 46         | 950053500810M   | BULK HOSE, VACUUM (3.5X8000) (3.5X130) | 1           |                    |
| 47*        | 99101ZH80950    | JET, MAIN (#95) (OPTIONAL)             | 1           |                    |
| 47*        | 99101ZH80980    | JET, MAIN (#98) (OPTIONAL)             | 1           |                    |
| 47*        | 99101ZH81000    | JET, MAIN (#100)                       | 1           |                    |
| 48*        | 99204ZE00350    | JET SET, PILOT (#35)                   | 1           |                    |

# HONDA GX340K1EDN2 ENGINE — CONTROL ASSY.

CONTROL ASSY.



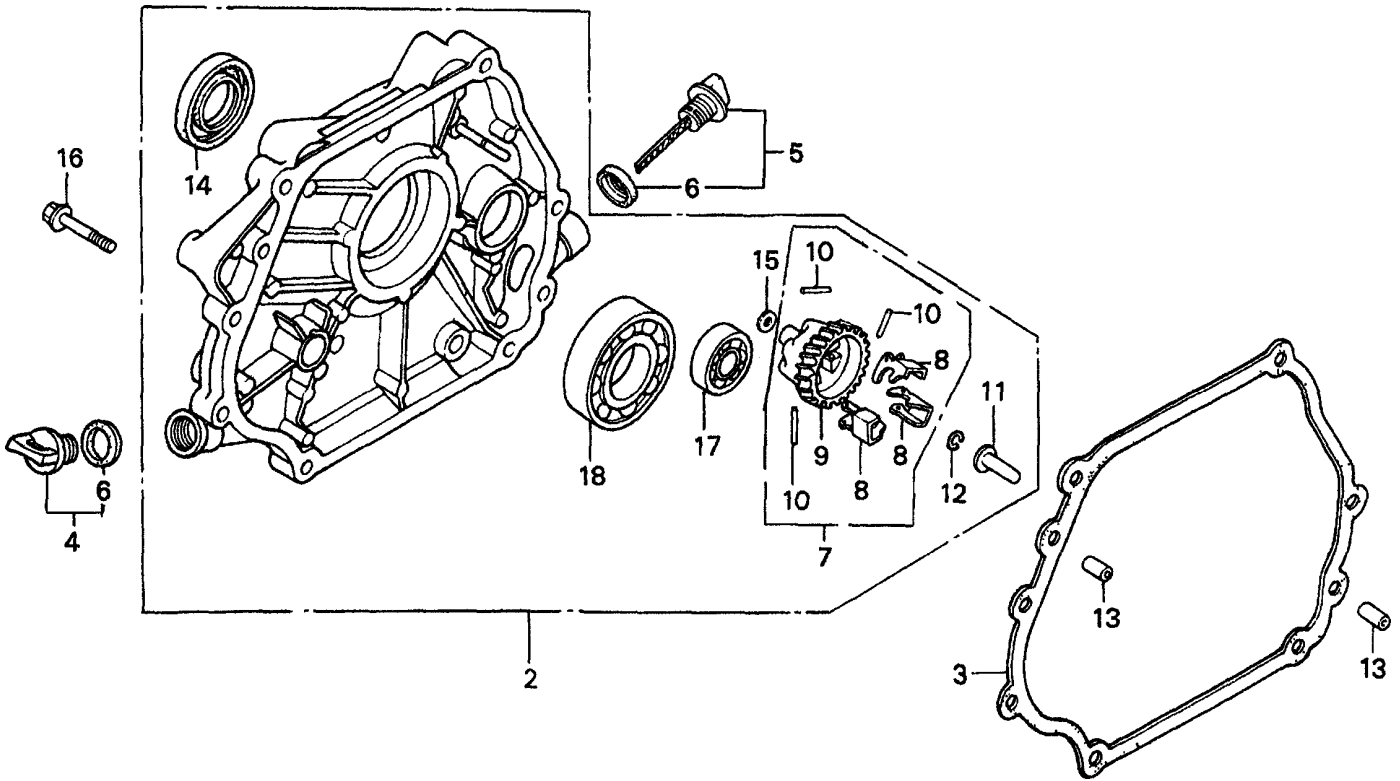
# HONDA GX340K1EDN2 ENGINE — CONTROL ASSY.

CONTROL ASSY.

| <u>NO.</u> | <u>PART NO.</u> | <u>PART NAME</u>            | <u>QTY.</u> | <u>REMARKS</u>     |
|------------|-----------------|-----------------------------|-------------|--------------------|
| 1          | 16550ZE3700     | ARM, GOVERNOR               | 1           |                    |
| 3          | 16555ZE3000     | ROD, GOVERNOR               | 1           |                    |
| 4          | 16561ZE3000     | SPRING, GOVERNOR            | 1           |                    |
| 5          | 16562ZE3700     | SPRING, THROTTLE RETURN     | 1           |                    |
| 9          | 16570ZE3700     | CONTROL ASSY. ....          | 1 ...       | INCLUDES ITEMS W/* |
| 19*        | 16584883300     | SPRING, CONTROL ADJUSTING   | 1           |                    |
| 23         | 90013883000     | BOLT, FLANGE (6X12) (CT200) | 2           |                    |
| 24         | 90015ZE5010     | BOLT, GOVERNOR ARM          | 1           |                    |
| 30*        | 93500050350A    | SCREW, PAN (5X35)           | 1           |                    |
| 33         | 9405006000      | NUT, FLANGE (6MM)           | 1           |                    |

# HONDA GX340K1EDN2 ENGINE — CRANKCASE COVER ASSY.

CRANKCASE COVER ASSY.



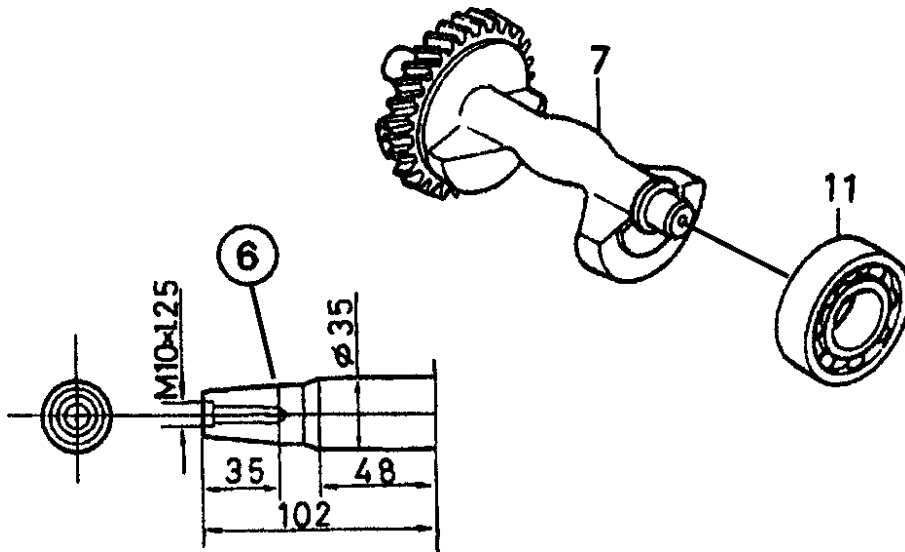
# HONDA GX340K1EDN2 ENGINE — CRANKCASE COVER ASSY.

## CRANKCASE COVER ASSY.

| <u>NO.</u> | <u>PART NO.</u> | <u>PART NAME</u>                      | <u>QTY.</u> | <u>REMARKS</u>     |
|------------|-----------------|---------------------------------------|-------------|--------------------|
| 2          | 11300ZE3020     | COVER ASSY., CRANKCASE (S-TYPE) ..... | 1 .....     | INCLUDES ITEMS W/* |
| 3          | 11381ZE3801     | GASKET, CASE COVER                    | 1           |                    |
| 4          | 15600ZG4003     | CAP ASSY., OIL FILLER                 | 1           |                    |
| 5          | 15600735003     | CAP ASSY., OIL FILLER                 | 1           |                    |
| 6          | 15625ZE1003     | GASKET, OIL FILLER CAP                | 2           |                    |
| 7          | 16510ZE3000     | GOVERNOR ASSY. ....                   | 1 .....     | INCLUDES ITEMS W/# |
| 8#         | 16511ZE8000     | WEIGHT, GOVERNOR                      | 3           |                    |
| 9#         | 16512ZE3000     | HOLDER, GOVERNOR WEIGHT               | 1           |                    |
| 10#        | 16513ZE2000     | PIN, GOVERNOR WEIGHT                  | 3           |                    |
| 11         | 16531ZE2000     | SLIDER, GOVERNOR                      | 1           |                    |
| 12         | 90602ZE1000     | CLIP, GOVERNOR HOLDER                 | 1           |                    |
| 13         | 90701HC4000     | PIN, DOWEL (8X12)                     | 2           |                    |
| 14*        | 92102ZE3004     | OIL SEAL (35X52X8)                    | 1           |                    |
| 15#        | 9410106800      | WASHER, PLAIN (6MM)                   | 1           |                    |
| 16         | 957010804000    | BOLT, FLANGE (8X40)                   | 7           |                    |
| 17*        | 961006202000    | BEARING, RADIAL BALL (6202)           | 1           |                    |
| 18*        | 961006207000    | BEARING, RADIAL BALL (6207)           | 1           |                    |

# HONDA GX340K1EDN2 ENGINE — CRANKSHAFT ASSY.

CRANKSHAFT ASSY.



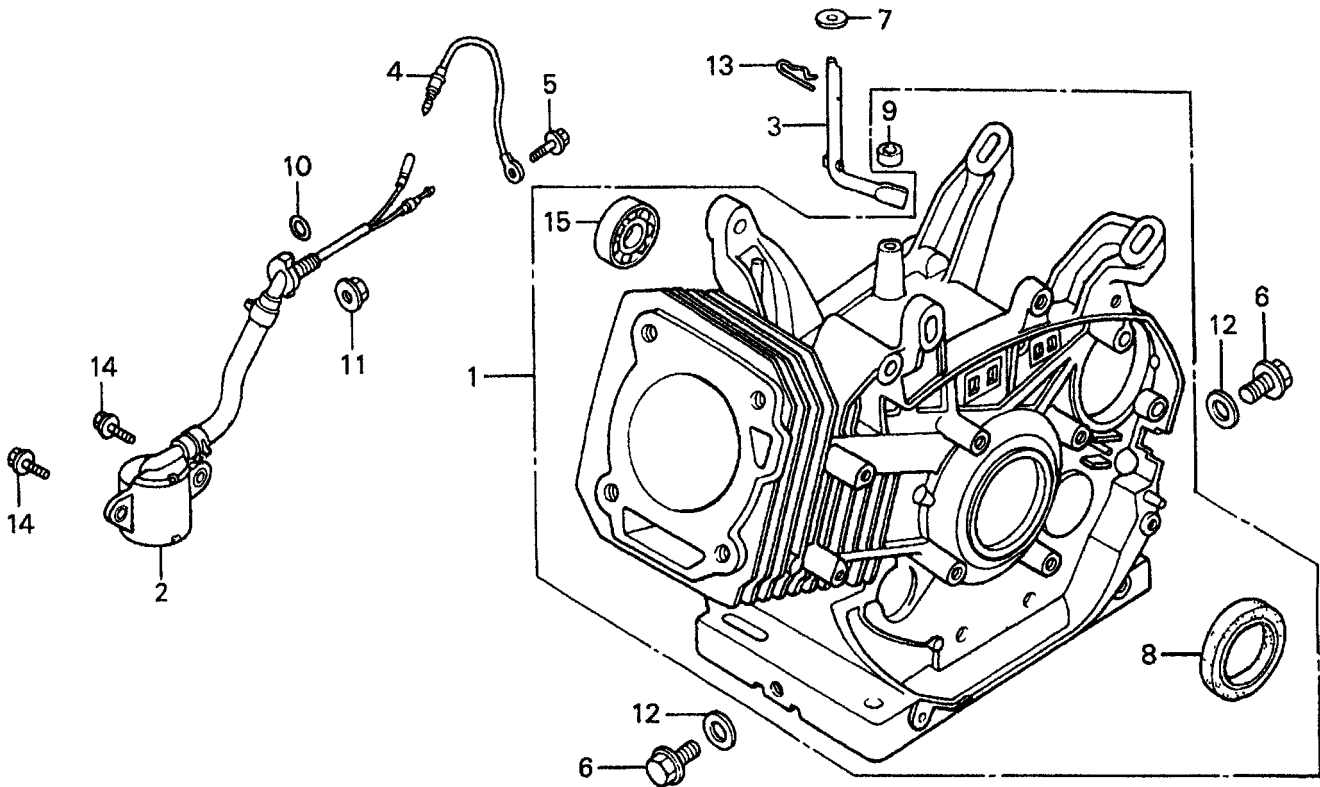
# HONDA GX340K1EDN2 ENGINE — CRANKSHAFT ASSY.

## CRANKSHAFT ASSY.

| <u>NO.</u> | <u>PART NO.</u> | <u>PART NAME</u>            | <u>QTY.</u> | <u>REMARKS</u> |
|------------|-----------------|-----------------------------|-------------|----------------|
| 6          | 13310ZE3701     | CRANKSHAFT (E-TYPE)         | 1           |                |
| 7          | 13351ZE3010     | WEIGHT, BALANCER            | 1           |                |
| 11         | 961006207000    | BEARING, RADIAL BALL (6207) | 1           |                |

# HONDA GX340K1EDN2 ENGINE — CYLINDER BARREL ASSY.

CYLINDER BARREL ASSY.



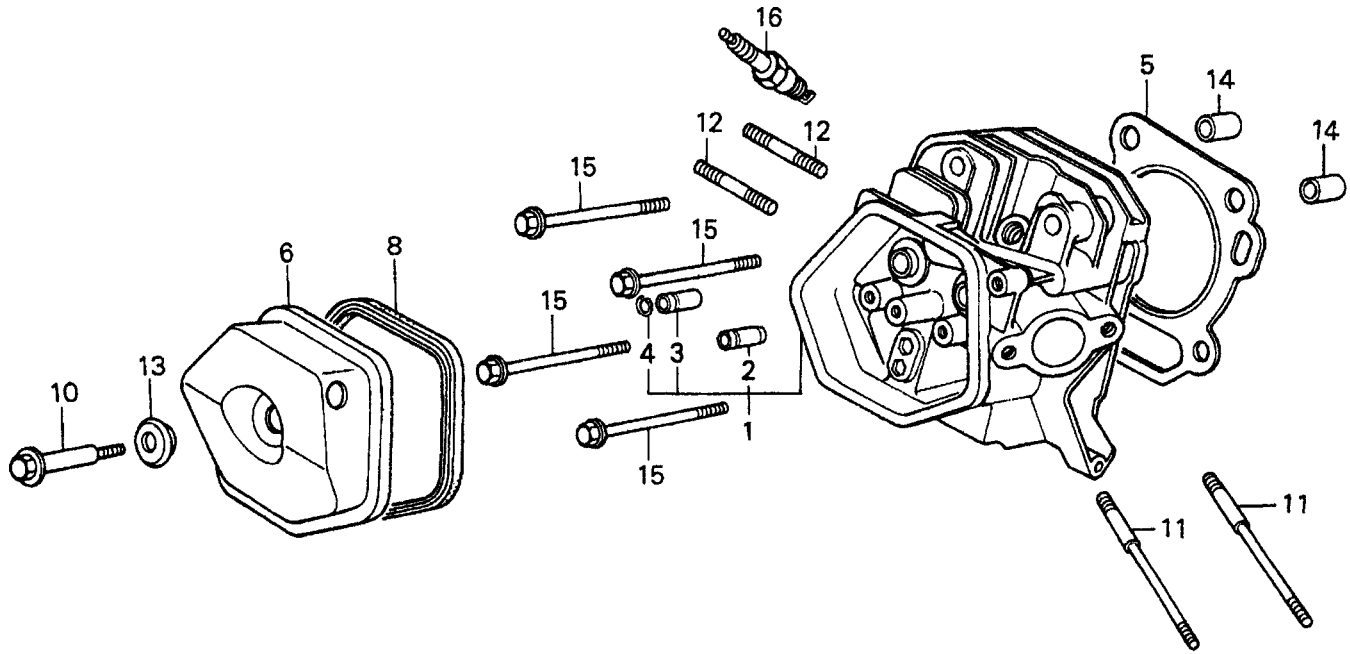
# HONDA GX340K1EDN2 ENGINE — CYLINDER BARREL ASSY.

## CYLINDER BARREL ASSY.

| <u>NO.</u> | <u>PART NO.</u> | <u>PART NAME</u>             | <u>QTY.</u> | <u>REMARKS</u>     |
|------------|-----------------|------------------------------|-------------|--------------------|
| 1          | 12000ZE3817     | CYLINDER ASSY. (ALERT) ..... | 1 .....     | INCLUDES ITEMS W/* |
| 2          | 15510ZE2043     | SWITCH ASSY., OIL LEVEL      | 1           |                    |
| 3          | 16541ZE3010     | SHAFT, GOVERNOR ARM          | 1           |                    |
| 4          | 31161ZE2000     | WIRE, GROUND                 | 1           |                    |
| 5          | 90013883000     | BOLT, FLANGE (6X12) (CT200)  | 1           |                    |
| 6          | 90131896650     | BOLT, DRAIN PLUG             | 2           |                    |
| 7          | 90446KE1000     | WASHER (8.2X17X0.8)          | 1           |                    |
| 8*         | 91201ZE3004     | OIL SEAL (35X52X8)           | 1           |                    |
| 9*         | 91203952771     | OIL SEAL (8X14X5)            | 1           |                    |
| 10         | 91353671003     | O-RING (13.5X1.5) (ARAI)     | 1           |                    |
| 11         | 9405010000      | NUT, FLANGE (10MM)           | 1           |                    |
| 12         | 9410912000      | WASHER, DRAIN PLUG (12MM)    | 2           |                    |
| 13         | 9425110000      | PIN, LOCK (10MM)             | 1           |                    |
| 14         | 957010601200    | BOLT FLANGE (6X12)           | 2           |                    |
| 15*        | 961006202000    | BEARING, RADIAL BALL (6202)  | 1           |                    |

# HONDA GX340K1EDN2 ENGINE — CYLINDER HEAD ASSY.

CYLINDER HEAD ASSY.



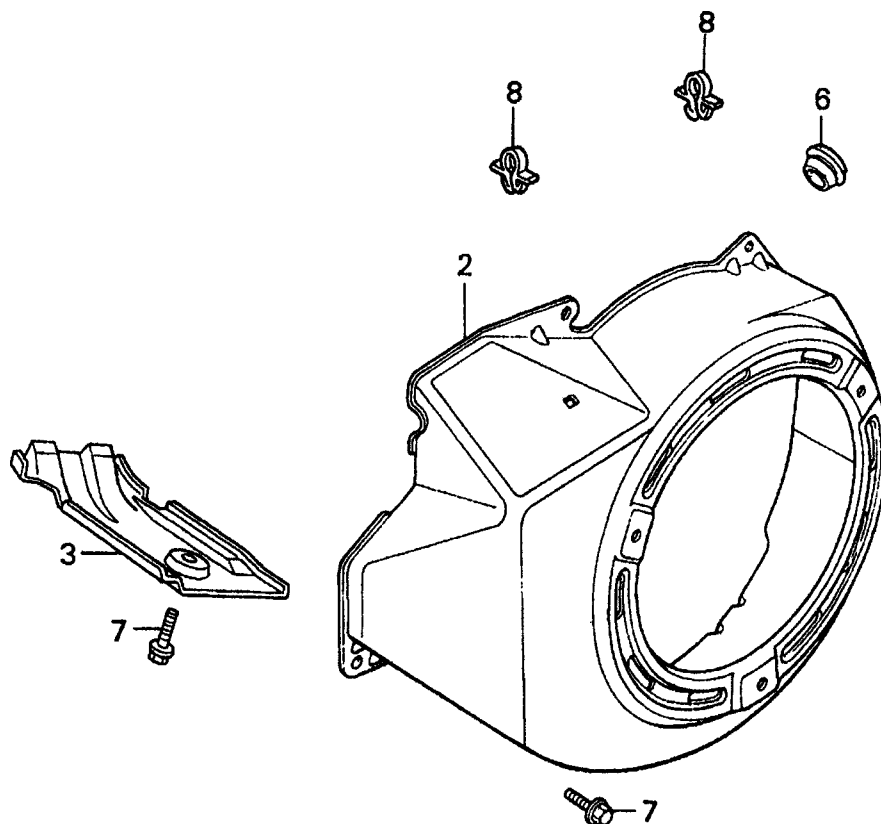
# HONDA GX340K1EDN2 ENGINE — CYLINDER HEAD ASSY.

## CYLINDER HEAD ASSY.

| <u>NO.</u> | <u>PART NO.</u> | <u>PART NAME</u>                     | <u>QTY.</u> | <u>REMARKS</u> |
|------------|-----------------|--------------------------------------|-------------|----------------|
| 1          | 12200ZF6W01     | CYLINDER HEAD                        | 1           |                |
| 2          | 12204ZE2306     | GUIDE, VALVE (OS) (OPTIONAL)         | 1           |                |
| 3          | 12205ZE2305     | GUIDE, EX. VALVE (OS) (OPTIONAL)     | 1           |                |
| 4          | 12216ZE2300     | CLIP, VALVE GUIDE                    | 1           |                |
| 5          | 12251ZE3W00     | GASKET, CYLINDER HEAD                | 1           |                |
| 6          | 12310ZE2020     | COVER, HEAD                          | 1           |                |
| 8          | 12391ZE2020     | GASKET, CYLINDER HEAD COVER          | 1           |                |
| 10         | 90014ZE2000     | BOLT, HEAD COVER                     | 1           |                |
| 11         | 90042ZE3700     | BOLT, STUD (8X106)                   | 2           |                |
| 12         | 92900080320E    | BOLT 2, STUD (8X32)                  | 2           |                |
| 13         | 90441ZE2010     | WASHER, HEAD COVER                   | 1           |                |
| 14         | 9430112200      | PIN A, DOWEL (12X20)                 | 2           |                |
| 15         | 957011008000    | BOLT, FLANGE (10X80)                 | 4           |                |
| 16         | 9807955846      | SPARK PLUG (BPR5ES) (NGK) (OPTIONAL) | 1           |                |
| 16         | 9807955855      | SPARK PLUG (W16EPR-U) (DENSO)        | 1           |                |

# HONDA GX340K1EDN2 ENGINE — FAN COVER ASSY.

FAN COVER ASSY.



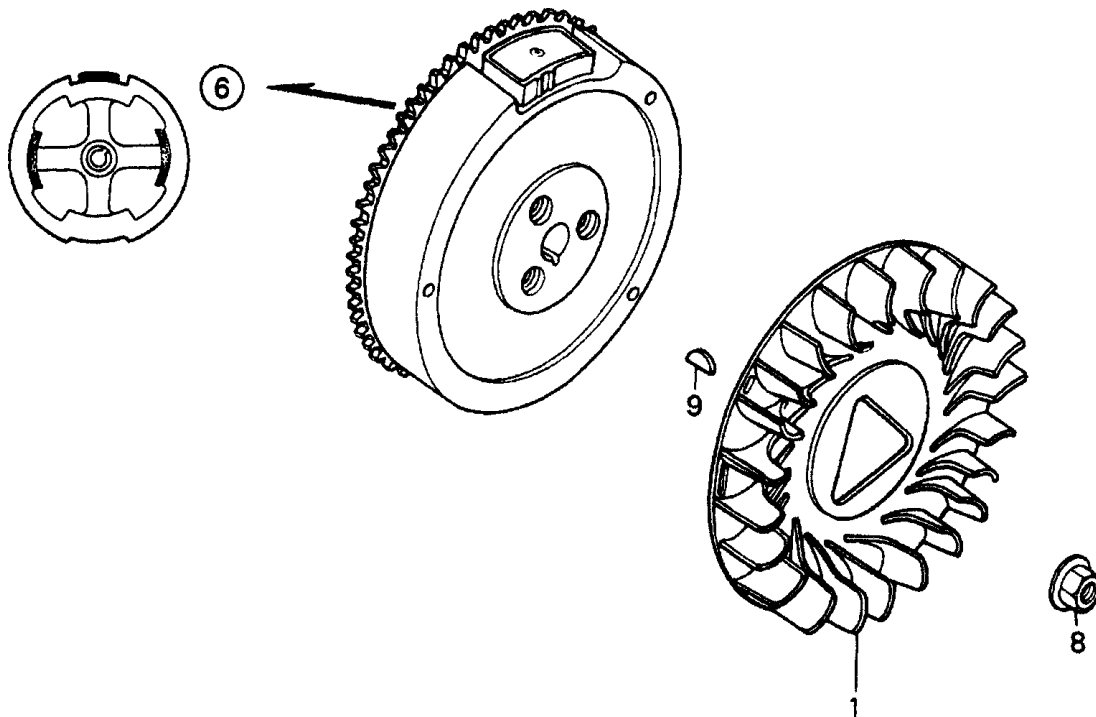
# HONDA GX340K1EDN2 ENGINE — FAN COVER ASSY.

FAN COVER ASSY.

| <u>NO.</u> | <u>PART NO.</u> | <u>PART NAME</u>                 | <u>QTY.</u> | <u>REMARKS</u> |
|------------|-----------------|----------------------------------|-------------|----------------|
| 2          | 19610ZE3700ZB   | COVER, FAN *NH1* (BLACK)         | 1           |                |
| 3          | 19631ZE3W00     | SHROUD                           | 1           |                |
| 6          | 81329567020     | GROMMET, DRAIN HOLE              | 1           |                |
| 7          | 90013883000     | BOLT, FLANGE (6X12) (CT200)      | 6           |                |
| 8          | 90654SA4003     | CLIP, WIRE HARNESS (6MM) (WHITE) | 2           |                |

# HONDA GX340K1EDN2 ENGINE — FLYWHEEL ASSY.

FLYWHEEL ASSY.



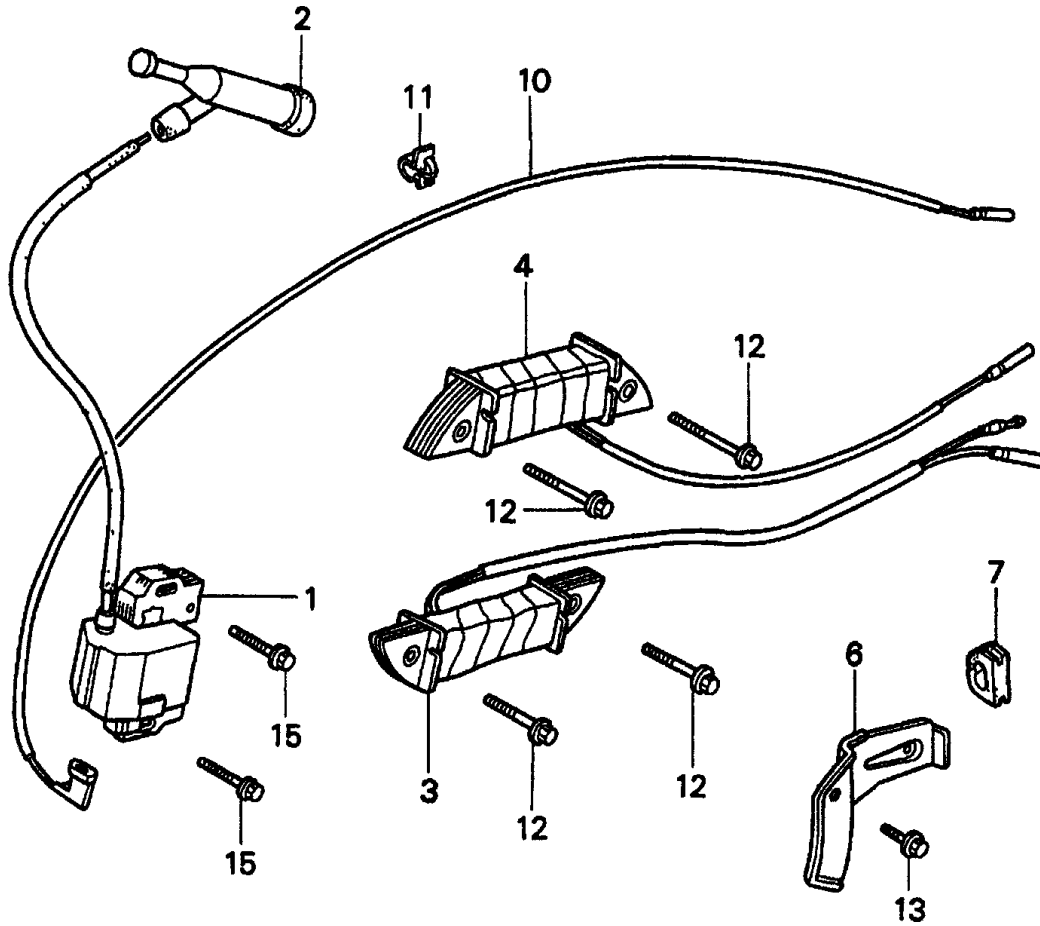
## HONDA GX340K1EDN2 ENGINE — FLYWHEEL ASSY.

FLYWHEEL ASSY.

| <u>NO.</u> | <u>PART NO.</u> | <u>PART NAME</u>              | <u>QTY.</u> | <u>REMARKS</u> |
|------------|-----------------|-------------------------------|-------------|----------------|
| 1          | 19511ZE3000     | FAN, COOLING                  | 1           |                |
| 6          | 31100ZE3712     | FLYWHEEL, LAMP                | 1           |                |
| 8          | 90201ZE3V00     | NUT, SPECIAL 16MM             | 1           |                |
| 9          | 90741ZE2000     | KEY, SPECIAL WOODRUFF (25X18) | 1           |                |

# HONDA GX340K1EDN2 ENGINE — IGNITION COIL ASSY.

IGNITION COIL ASSY.



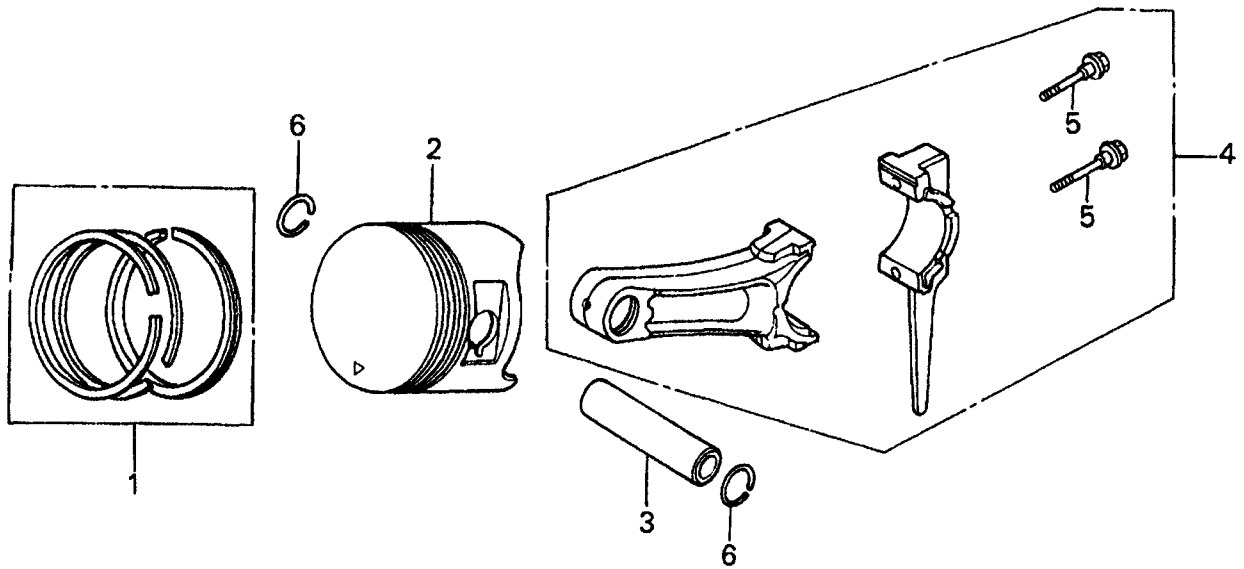
# HONDA GX340K1EDN2 ENGINE — IGNITION COIL ASSY.

## IGNITION COIL ASSY.

| <u>NO.</u> | <u>PART NO.</u> | <u>PART NAME</u>            | <u>QTY.</u> | <u>REMARKS</u> |
|------------|-----------------|-----------------------------|-------------|----------------|
| 1          | 30500ZE2023     | COIL ASSY., IGNITION        | 1           |                |
| 2          | 30700ZE1013     | CAP ASSY., NOISE SUPPRESSOR | 1           |                |
| 3          | 31510ZE1811     | COIL ASSY., LAMP (12V/25W)  | 1           |                |
| 4          | 31510ZE3003     | COIL ASSY., LAMP (12V/25W)  | 1           |                |
| 6          | 31511ZE3000     | CLAMP, WIRE                 | 1           |                |
| 7          | 31512ZE2000     | GROMMET, WIRE               | 1           |                |
| 10         | 36101ZE3800     | WIRE, STOP SWITCH (470MM)   | 1           |                |
| 11         | 36103ZE1000     | HOLDER, STOP SWITCH WIRE    | 1           |                |
| 12         | 90012888000     | BOLT, FLANGE (6X40)         | 4           |                |
| 13         | 90013883000     | BOLT, FLANGE (6X12) (CT200) | 1           |                |
| 15         | 90015883000     | BOOT, FLANGE (6X28)         | 2           |                |

# HONDA GX340K1EDN2 ENGINE — PISTON ASSY.

PISTON ASSY.



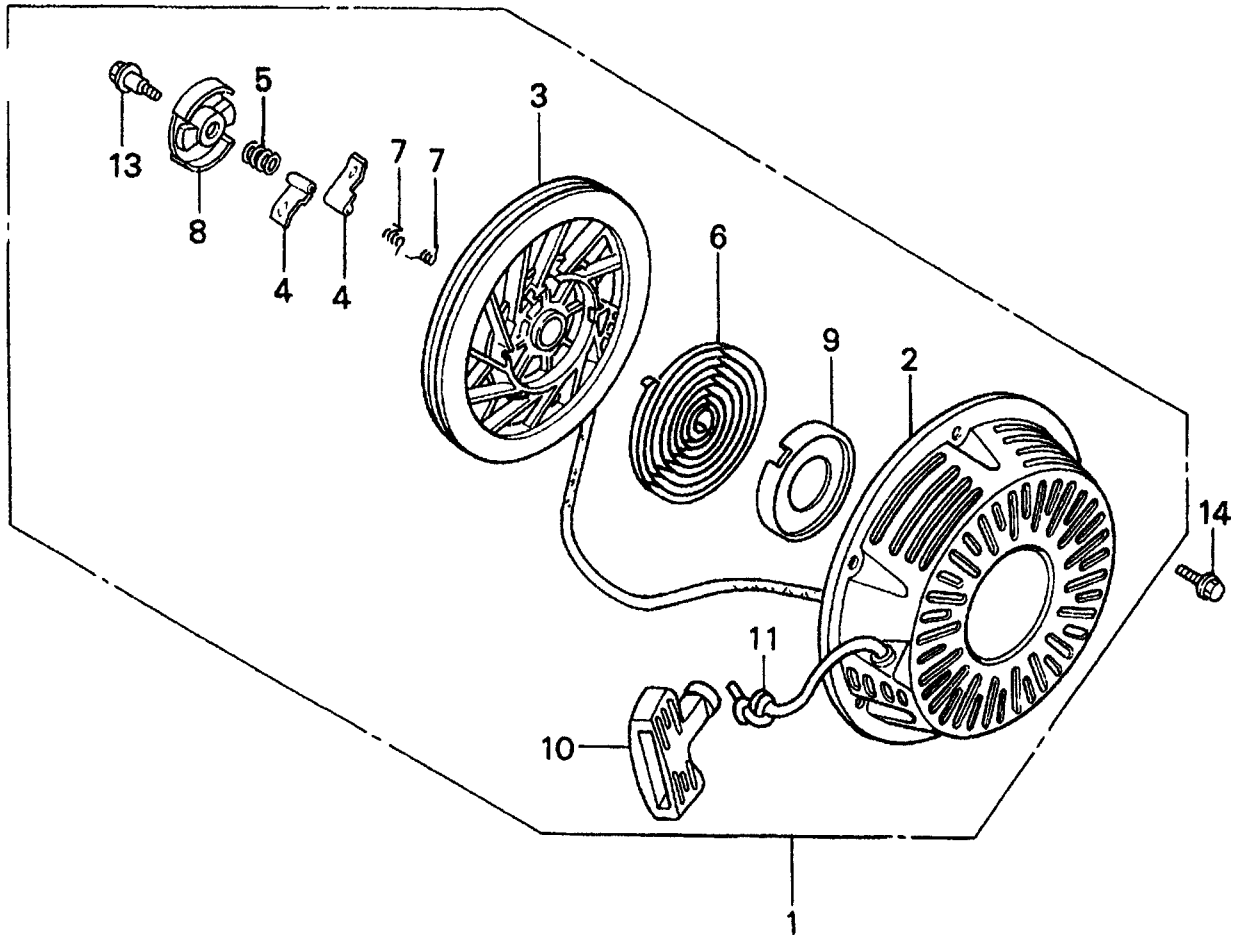
## HONDA GX340K1EDN2 ENGINE — PISTON ASSY.

### PISTON ASSY.

| <u>NO.</u> | <u>PART NO.</u> | <u>PART NAME</u>                      | <u>QTY.</u> | <u>REMARKS</u> |
|------------|-----------------|---------------------------------------|-------------|----------------|
| 1          | 13010ZE3003     | RING SET, PISTON (STD)                | 1           |                |
| 1          | 13011ZE3003     | RING SET, PISTON (OS 0.25) (OPTIONAL) | 1           |                |
| 1          | 13012ZE3003     | RING SET, PISTON (OS 0.50) (OPTIONAL) | 1           |                |
| 1          | 13013ZE3003     | RING SET, PISTON (0.75) (OPTIONAL)    | 1           |                |
| 2          | 13101ZE3W00     | PISTON (STD)                          | 1           |                |
| 3          | 13111ZF6000     | PIN, PISTON                           | 1           |                |
| 4          | 13200ZE3010     | ROD ASSY., CONNECTING (STD)           | 1           |                |
| 5          | 90001ZE8000     | BOLT, CONNECTING ROD                  | 2           |                |
| 6          | 90601ZE3000     | CLIP, PISTON PIN (20MM)               | 2           |                |

# HONDA GX340K1EDN2 ENGINE — RECOIL STARTER ASSY.

RECOIL STARTER ASSY.



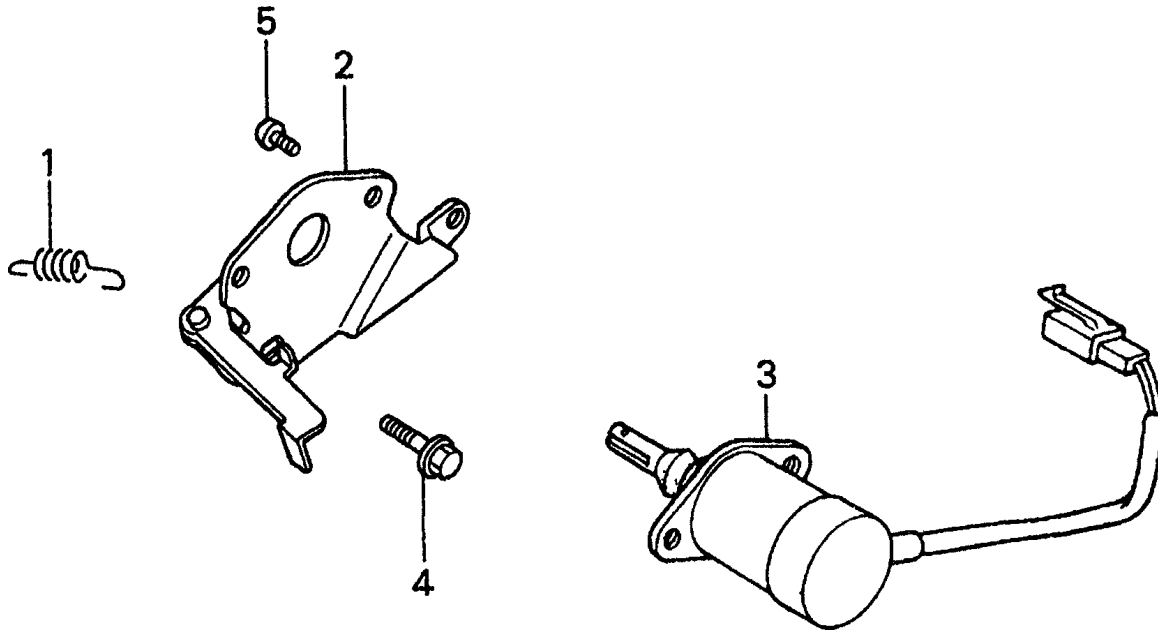
# HONDA GX340K1EDN2 ENGINE — RECOIL STARTER ASSY.

## RECOIL STARTER ASSY.

| <u>NO.</u> | <u>PART NO.</u> | <u>PART NAME</u>                    | <u>QTY.</u> | <u>REMARKS</u>           |
|------------|-----------------|-------------------------------------|-------------|--------------------------|
|            | 28400ZE3W01ZB   | STARTER ASSY., RECOIL *NH1* (BLACK) | 1           |                          |
| 2          | 28410ZE3W01ZB   | CASE, RECOIL STARTER *NH1* (BLACK)  | 1           |                          |
| 3          | 28421ZE3W01     | PULLEY, RECOIL STARTER              | 1           |                          |
| 4          | 28422ZE2W01     | RATCHET, STARTER                    | 2           |                          |
| 5          | 28441ZE2W01     | SPRING, FRICTION                    | 1           |                          |
| 6          | 28442ZE2W01     | SPRING, STARTER RETURN              | 1           |                          |
| 7          | 28443ZE2W01     | SPRING, RATCHET                     | 2           |                          |
| 8          | 28444ZE2W01     | RETAINER, SPRING                    | 1           |                          |
| 9          | 28445ZE2W01     | HOLDER, SPRING                      | 1           |                          |
| 10         | 28461ZE2W02     | GRIP, STARTER                       | 1           |                          |
| 11         | 08560ZG92111    | ROPE, RECOIL STARTER .....          | 1           | REPLACES P/N 28462ZE3W01 |
| 13         | 90004ZE2W01     | SCREW, CENTER                       | 1           |                          |
| 14         | 90008ZE2003     | BOLT, FLANGE (6X10)                 | 3           |                          |

# HONDA GX340K1EDN2 ENGINE — SOLENOID ASSY.

SOLENOID ASSY.



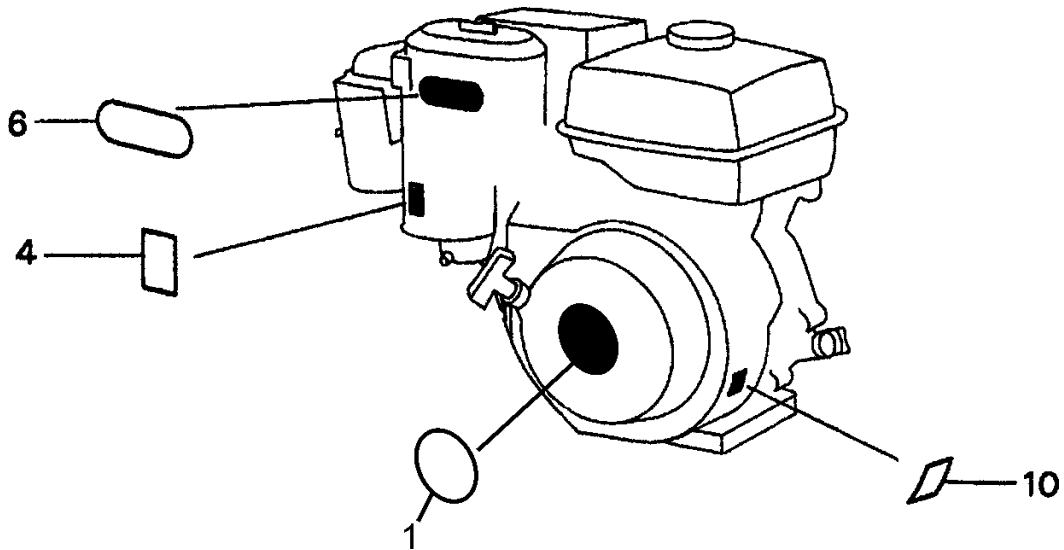
## HONDA GX340K1EDN2 ENGINE — SOLENOID ASSY.

### SOLENOID ASSY.

| <u>NO.</u> | <u>PART NO.</u> | <u>PART NAME</u>            | <u>QTY.</u> | <u>REMARKS</u> |
|------------|-----------------|-----------------------------|-------------|----------------|
| 1          | 16268893000     | SPRING, CHOKE RETURN        | 1           |                |
| 2          | 17850ZD1E30     | LEVER, THROTTLE             | 1           |                |
| 3          | 36160ZB4003     | SOLENOID ASSY.              | 1           |                |
| 4          | 90013883000     | BOLT, FLANGE (6X12) (CT200) | 1           |                |
| 5          | 93500050080A    | SCREW, PAN (5X8)            | 2           |                |

# HONDA GX340K1EDN2 ENGINE — LABELS ASSY.

LABELS ASSY.



# HONDA GX340K1EDN2 ENGINE — LABELS ASSY.

## LABELS ASSY.

| <u>NO.</u> | <u>PART NO.</u> | <u>PART NAME</u>  | <u>QTY.</u> | <u>REMARKS</u> |
|------------|-----------------|-------------------|-------------|----------------|
| 1          | 87521ZE3W01     | EMBLEM            | 1           |                |
| 4          | 87528898620     | MARK, CHOKE       | 1           |                |
| 6          | 87533ZC0630     | MARK, AIR CLEANER | 1           |                |
| 10         | 87594ZB4A00     | MARK, OIL CAUTION | 1           |                |