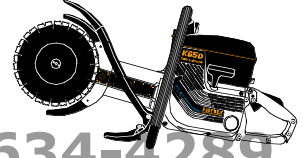


# **PARTNER**

ConstructionParts.com



888-634-4289

**IPL, K650 Cut-n-Break, 2006-07, 544 80 51-02**

ConstructionParts.com

***K650 Cut-n-Break***

***Reservdelar***

***Spare parts***

***Ersatzteile***

***Pieces de rechange***

***Piezas de repuesto***

***Ricambi***

***Peças  
sobresselente***

ConstructionParts.com

888-634-4289

544 80 51-02

---

# **PARTNER®**

**A**

\*compl 544 10 52-02

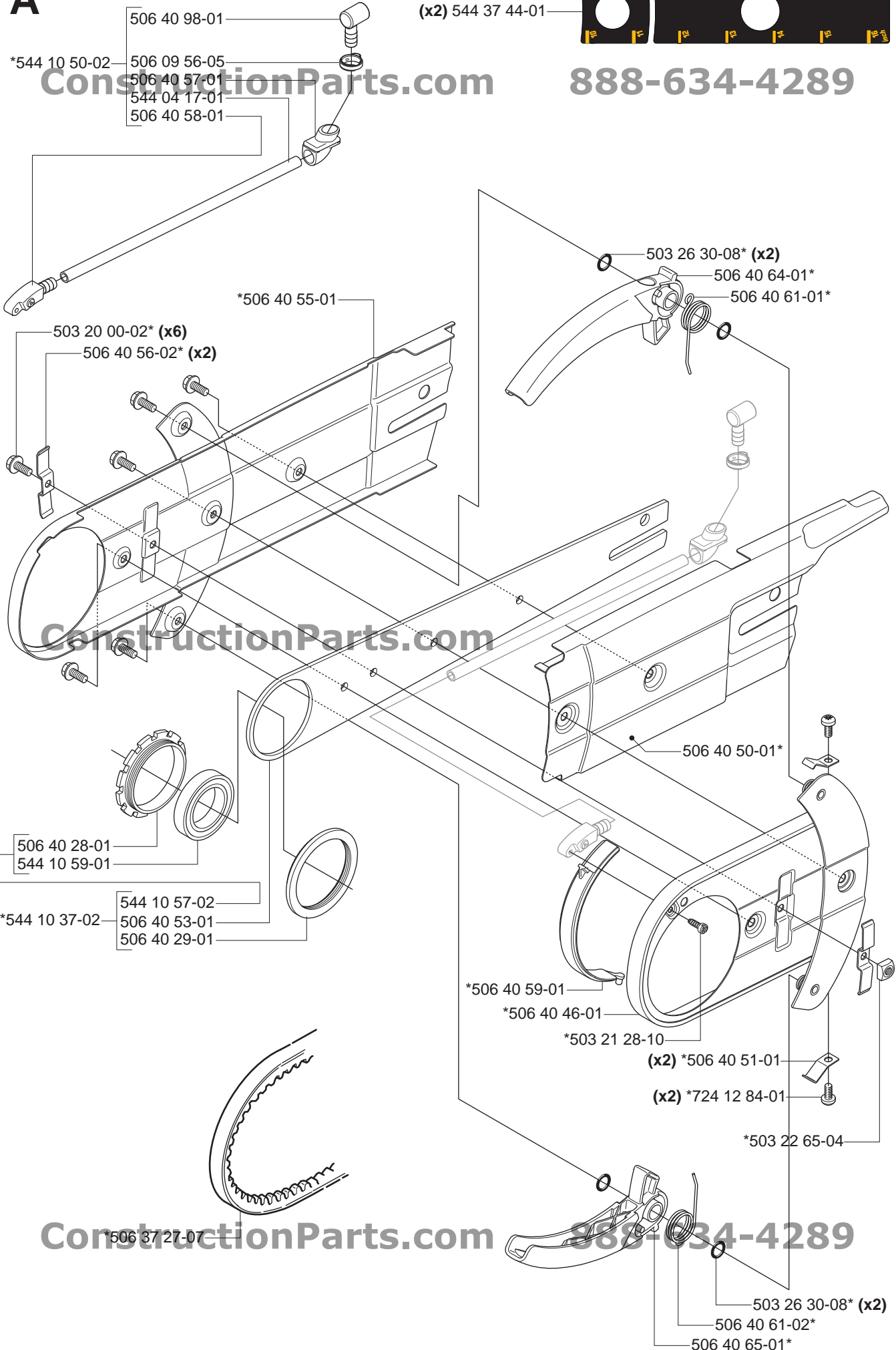
(x2) 544 37 44-01



- \*544 10 50-02
- 506 09 56-05
- 506 40 57-01
- 544 04 17-01
- 506 40 58-01

ConstructionParts.com

888-634-4289



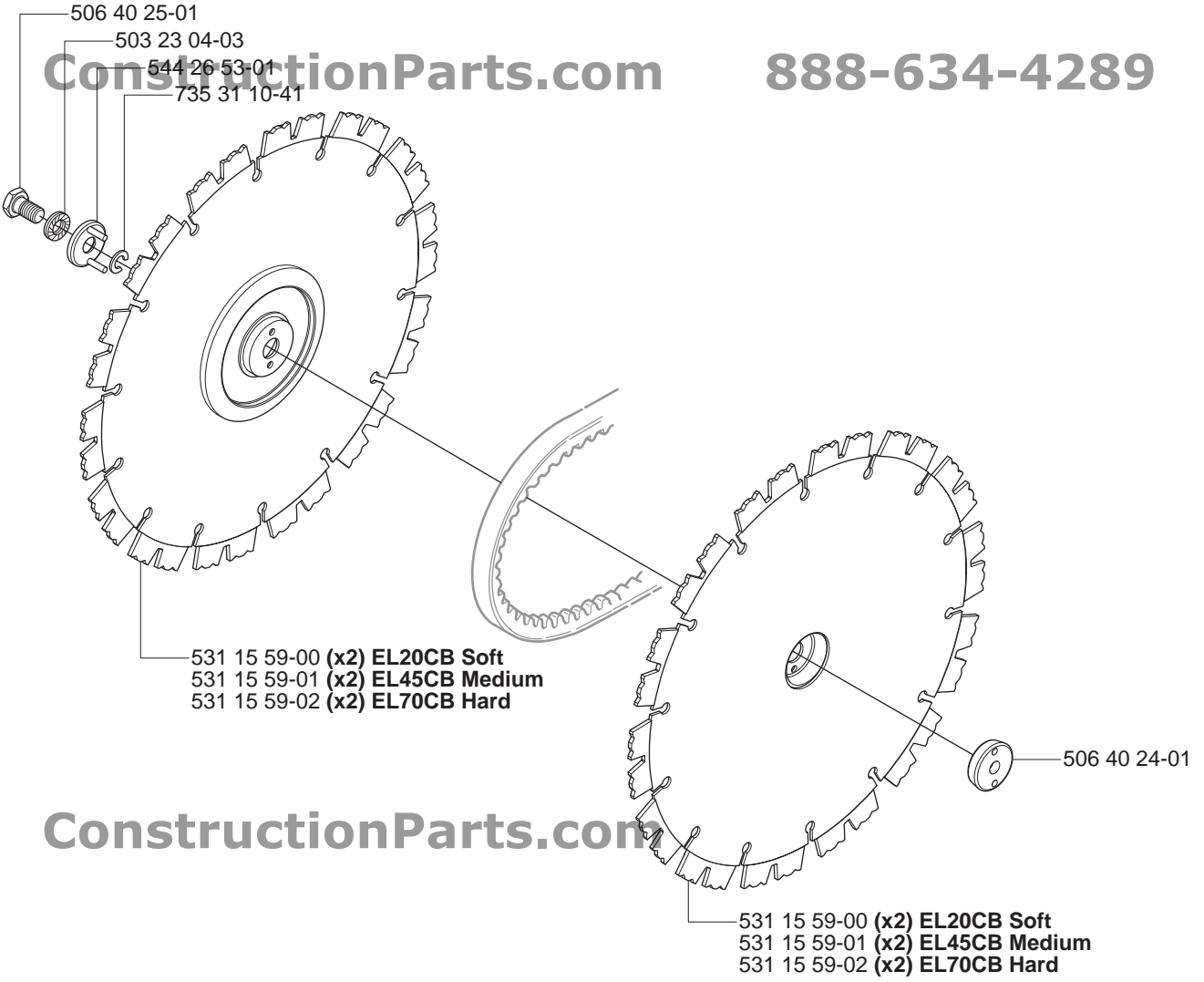
ConstructionParts.com

888-634-4289

**B**

ConstructionParts.com

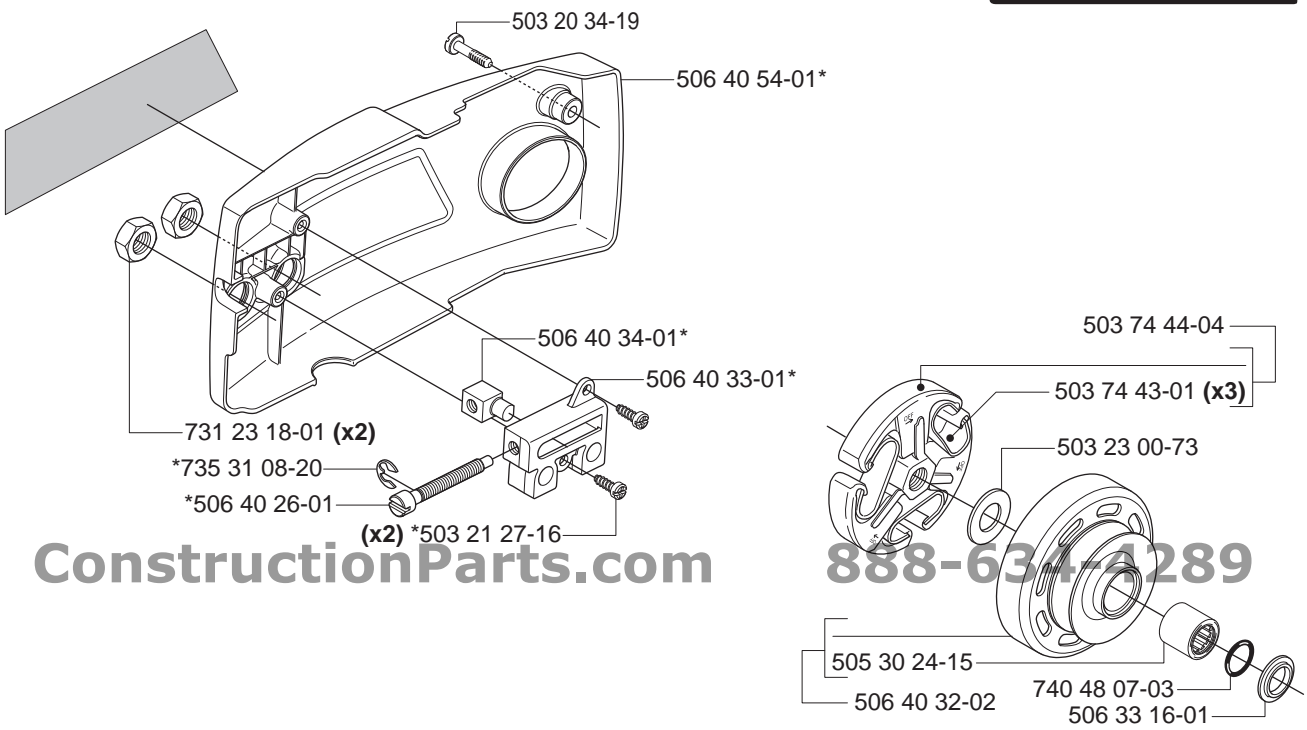
888-634-4289



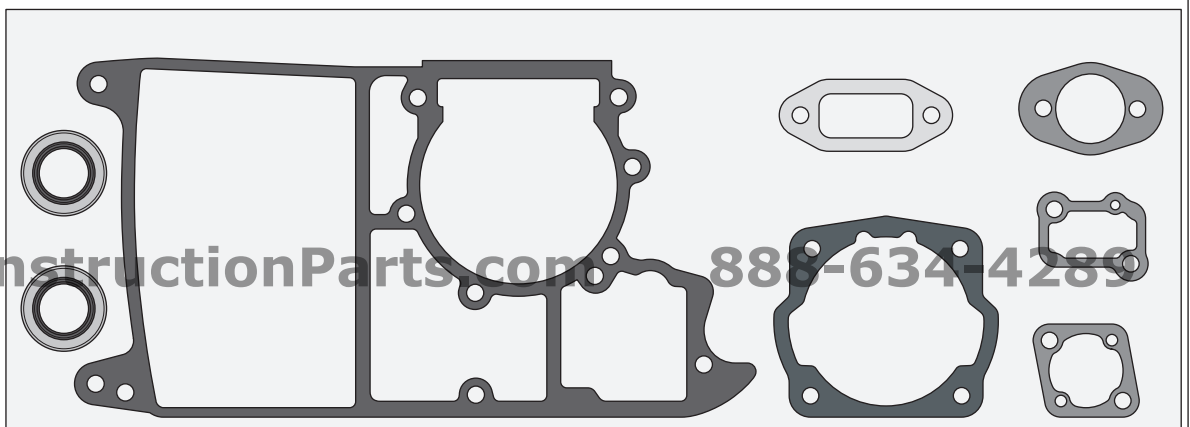
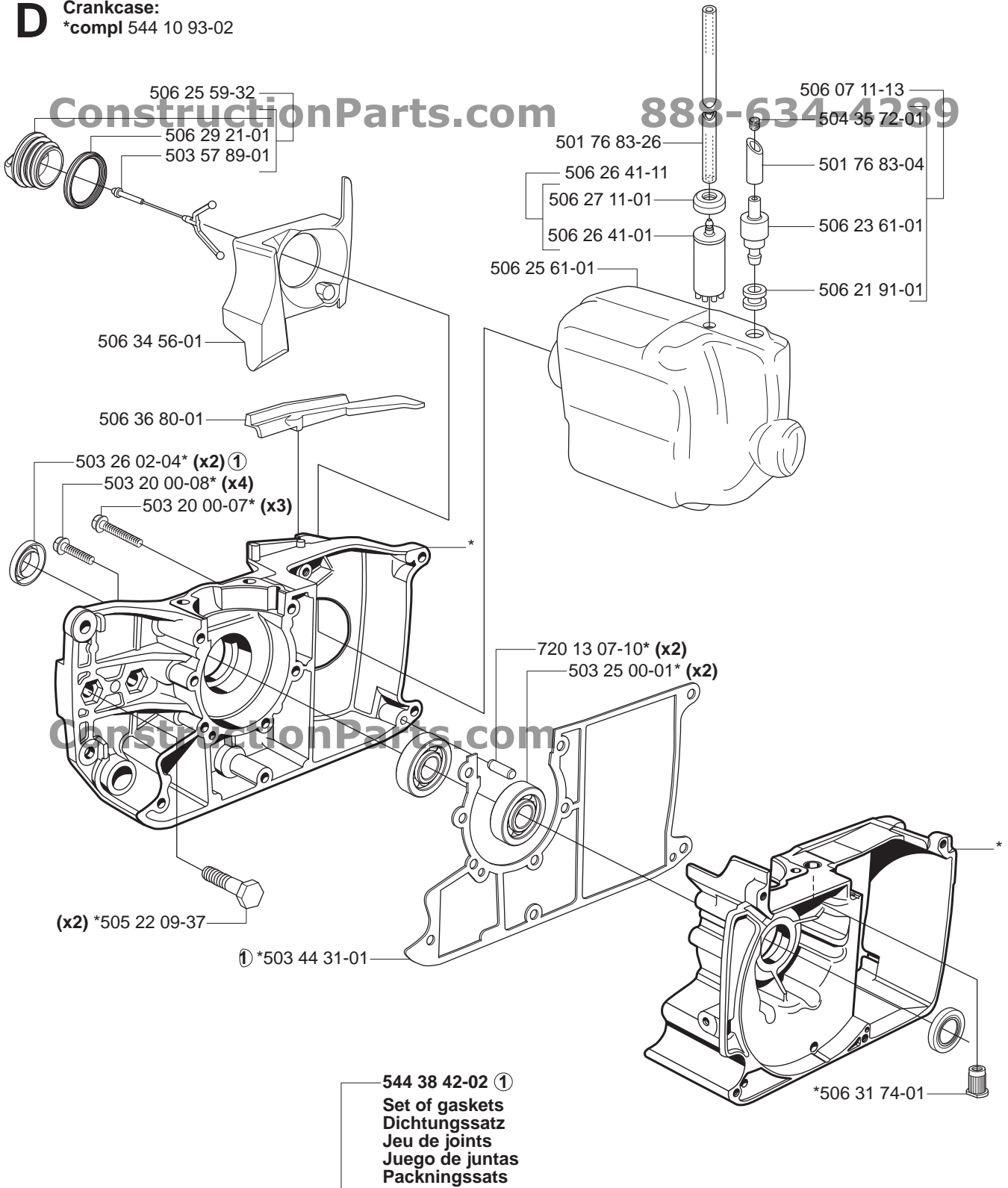
**C**

Clutch parts:  
\*compl 544 10 48-02

544 37 45-01 **Cut-n-Break**



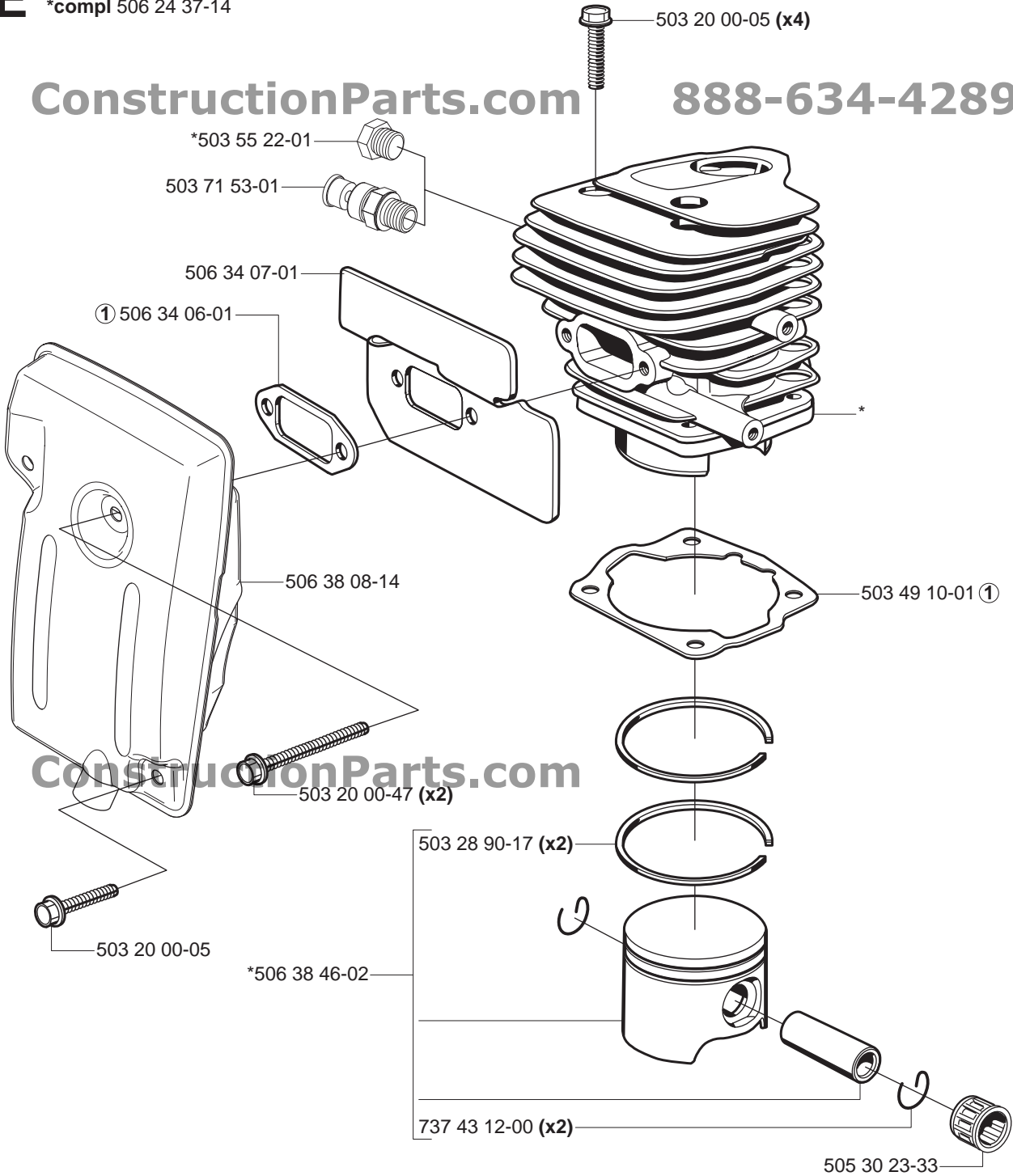
**D Crankcase:**  
\*compl 544 10 93-02



**E** Cylinder & Piston  
\*compl 506 24 37-14

ConstructionParts.com

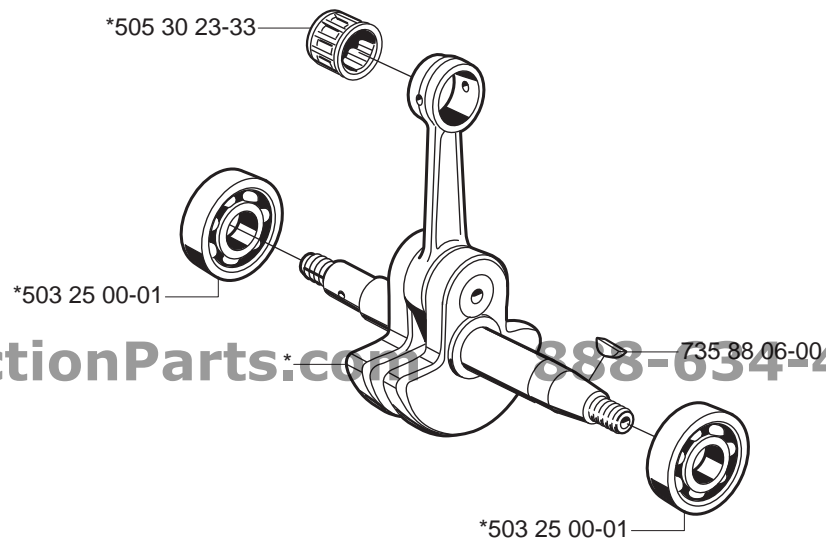
888-634-4289



**F** \*compl 506 35 10-01

ConstructionParts.com

888-634-4289



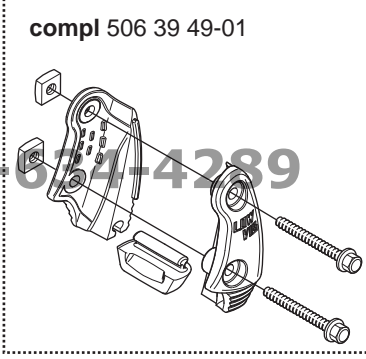
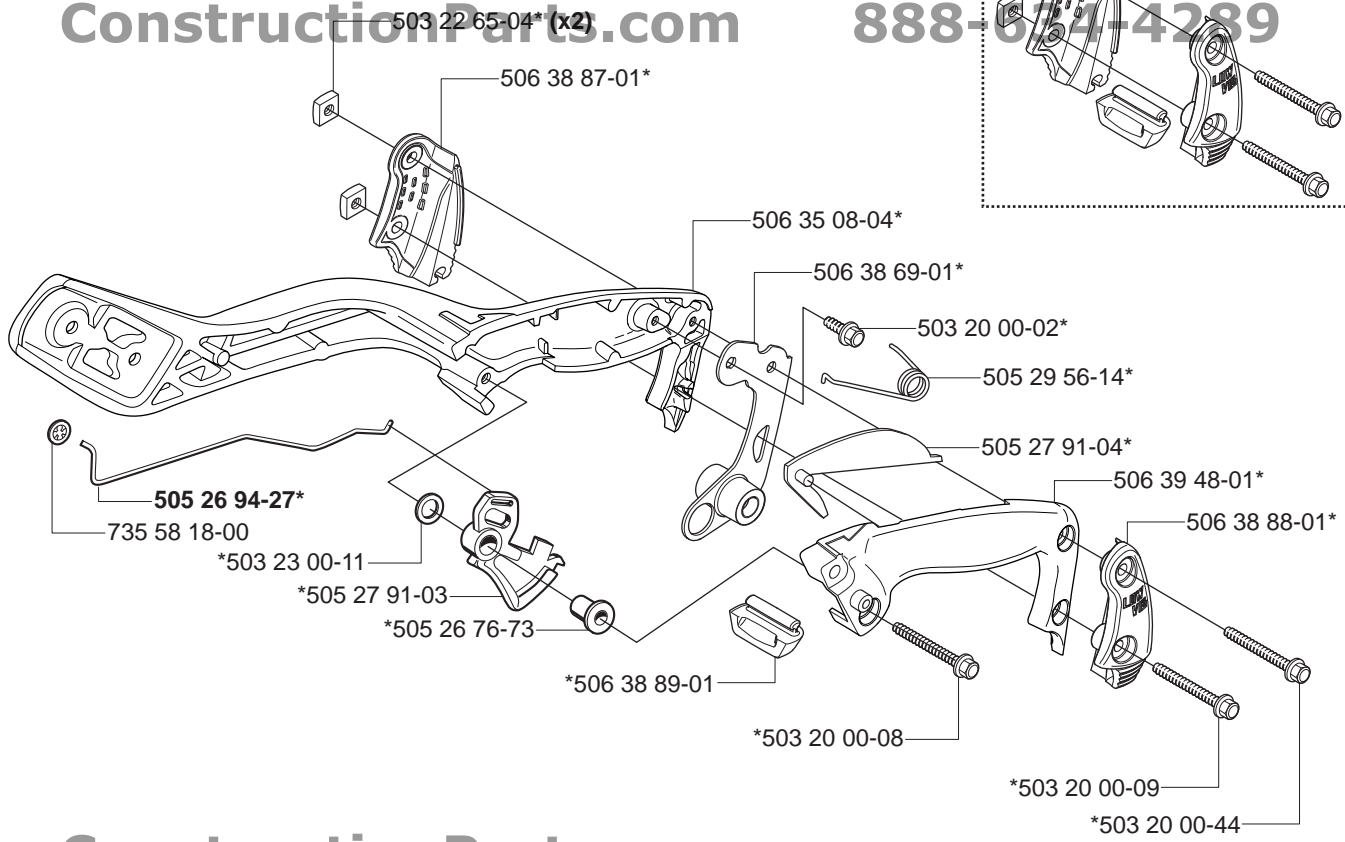
**G**

\*compl 506 39 50-06

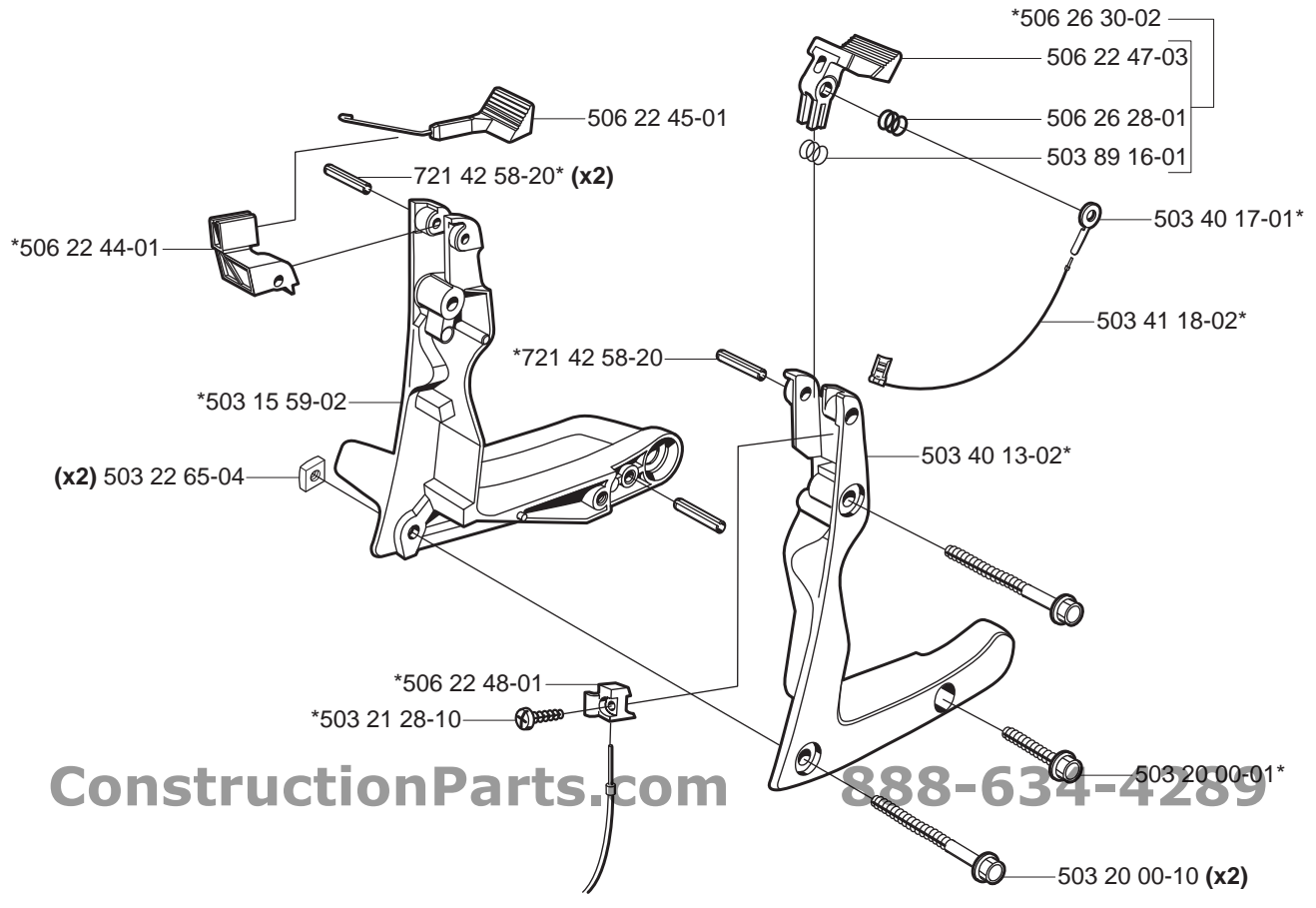
compl 506 39 49-01

ConstructionParts.com

888-634-4289



ConstructionParts.com



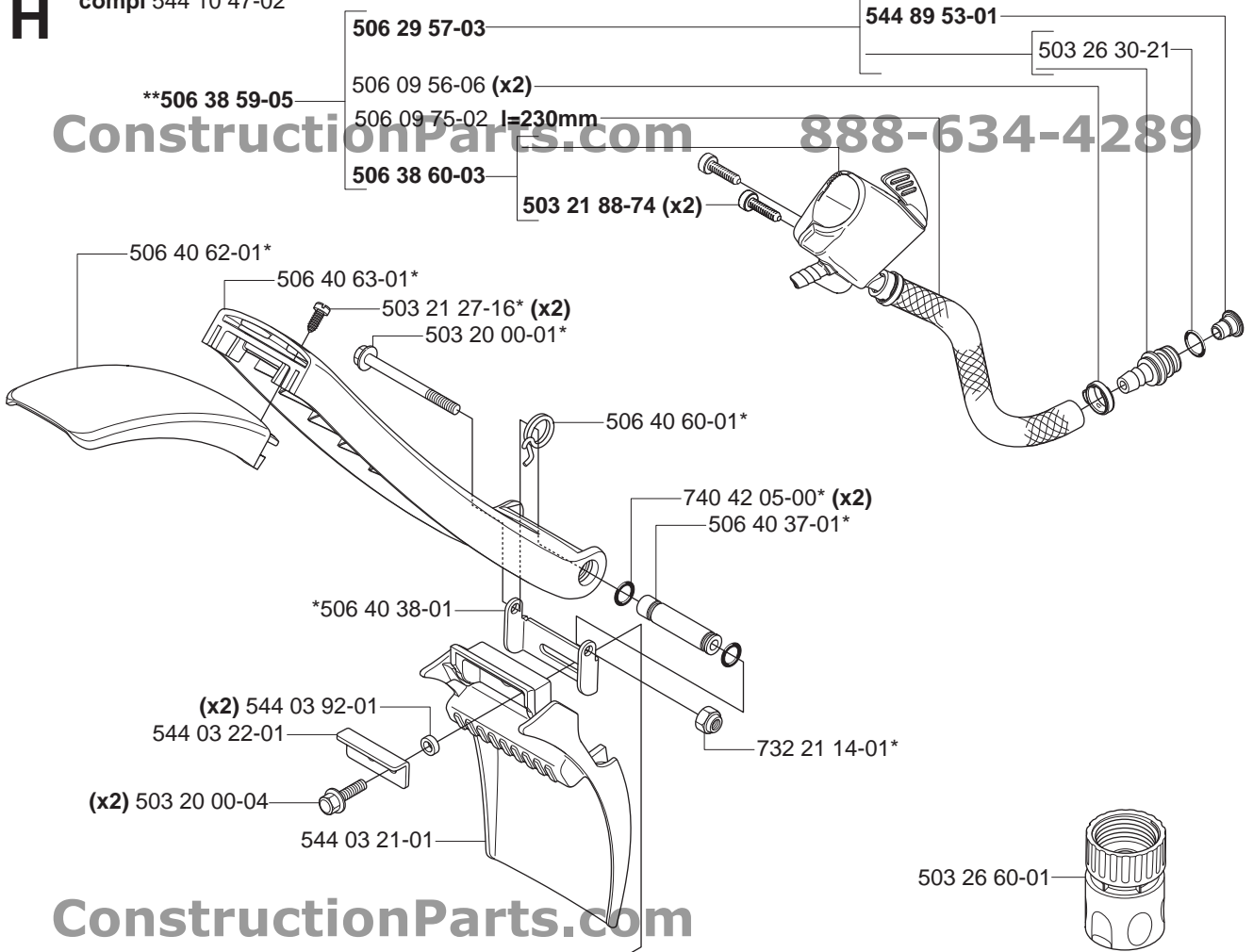
ConstructionParts.com

888-634-4289

**H**

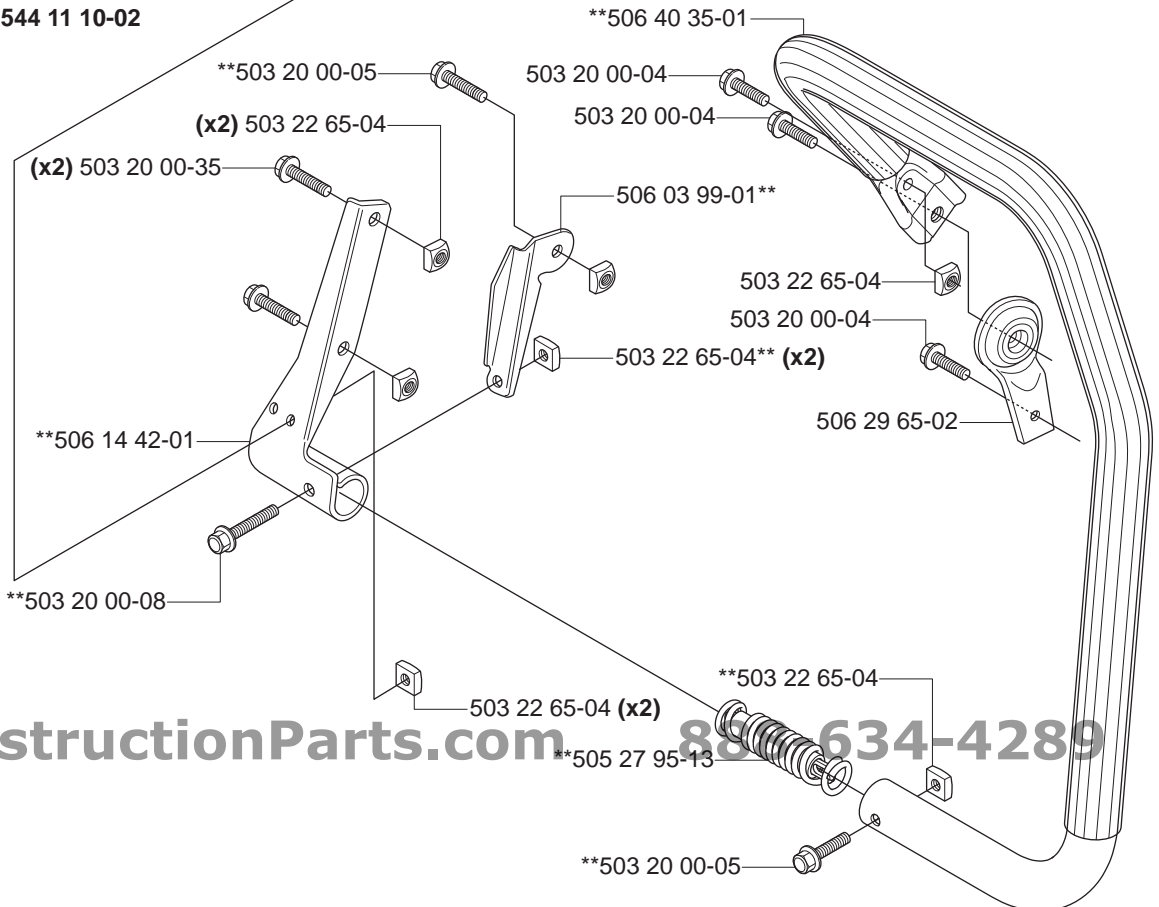
\*compl 544 10 47-02

ConstructionParts.com 888-634-4289



ConstructionParts.com

\*\*compl 544 11 10-02



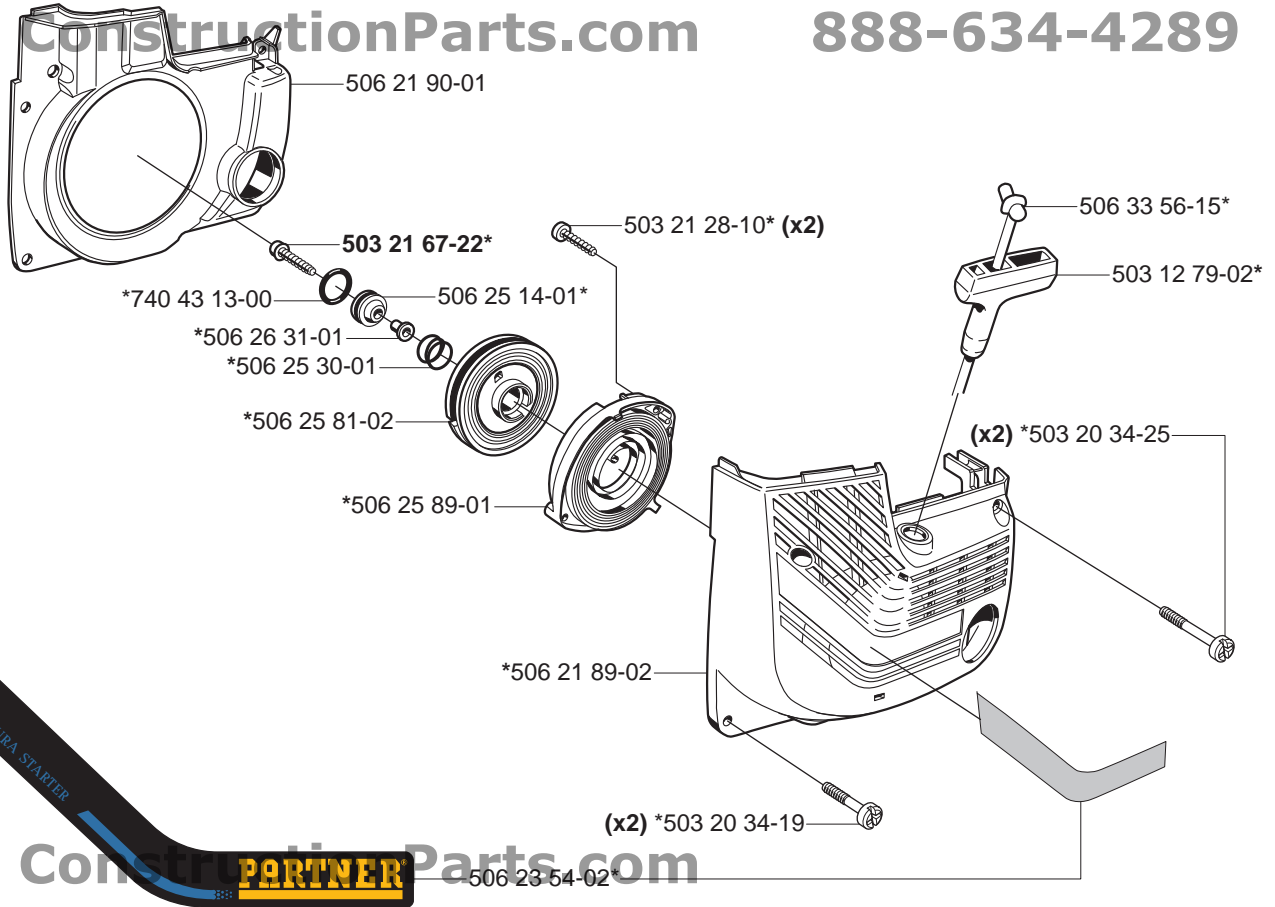
ConstructionParts.com 888-634-4289

**J**

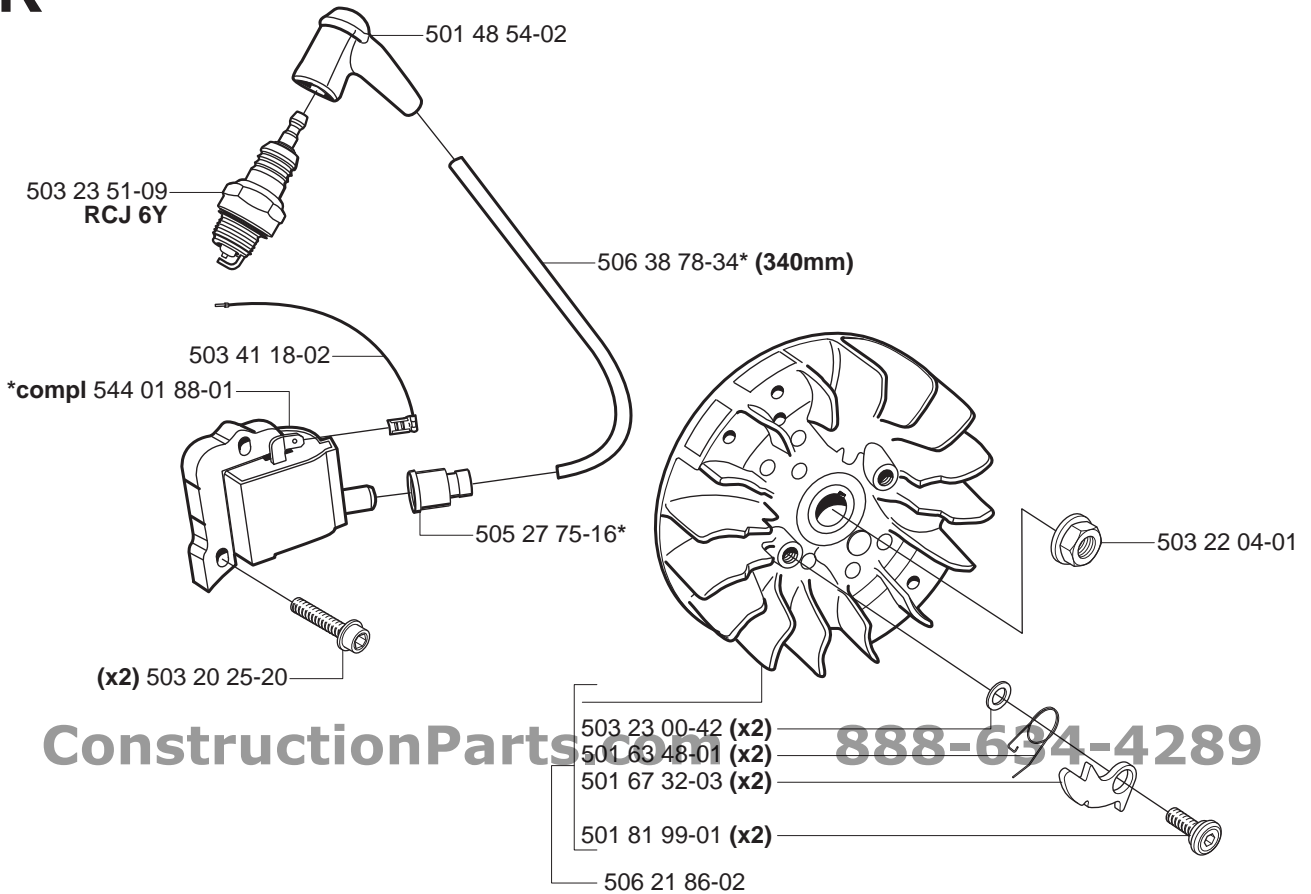
\*compl 506 25 95-01

ConstructionParts.com

888-634-4289



**K**



L

(x2) 503 20 34-42

ConstructionParts.com

888-634-4

Note!  
Excessive water can  
result in bolt slippage!

544 89 65-01

Decompression Valve  
Push before starting

506 32 21-02

506 21 79-01

506 22 63-01

\*\*506 25 82-01

\*\*506 28 39-30

\*\*compl 506 21 78-12

ConstructionParts.com

503 20 02-90

506 22 42-01

506 28 39-30\*

\*compl 506 21 77-14



506 23 93-01\*

506 22 23-01

506 21 98-01

544 37 46-01



ConstructionParts.com

888-634-4289

506 22 24-01

725 52 95-55

503 20 00-03



506 27 84-42  
CE



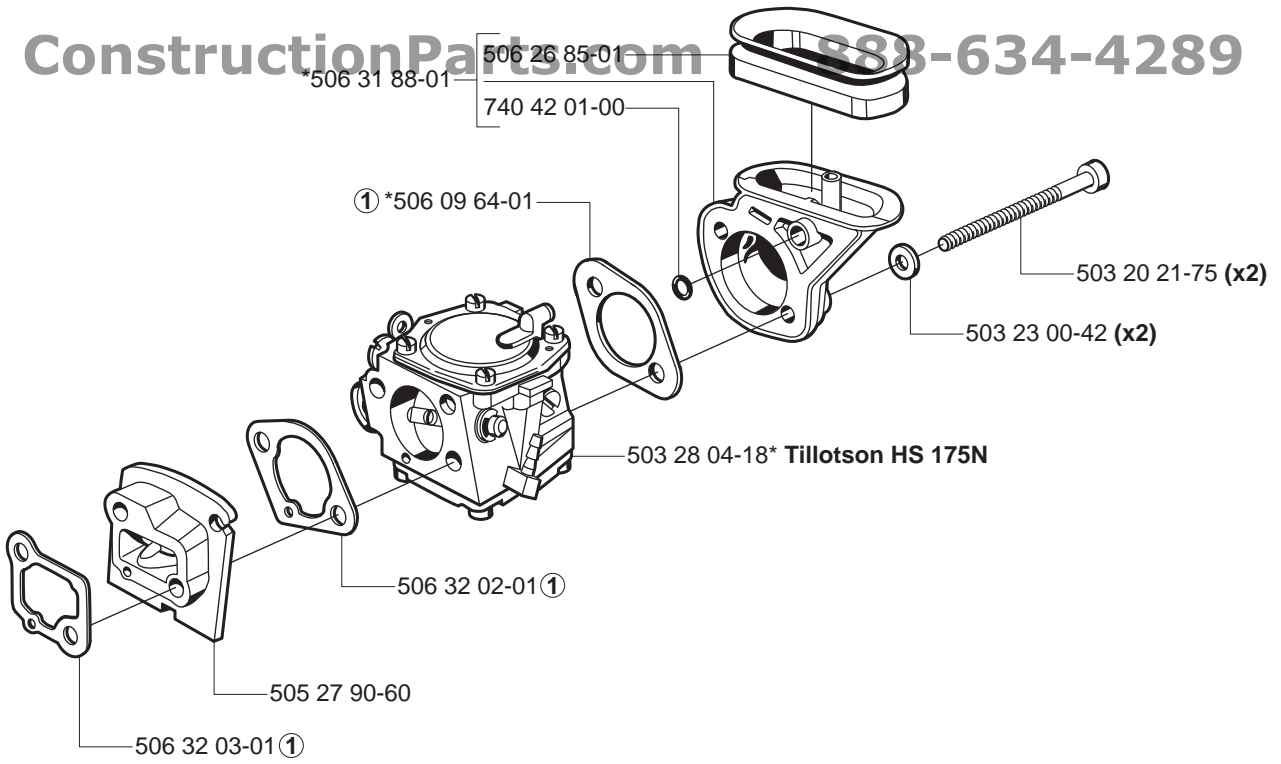
506 27 84-65  
EPA Canada



506 27 84-64  
EPA USA

**M** Carburettor kit:  
\*compl 506 32 15-03

ConstructionParts.com 888-634-4289



ConstructionParts.com

ConstructionParts.com

888-634-4289

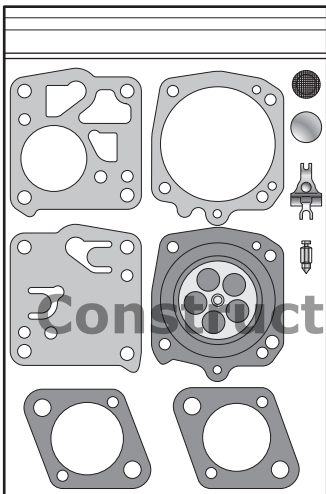
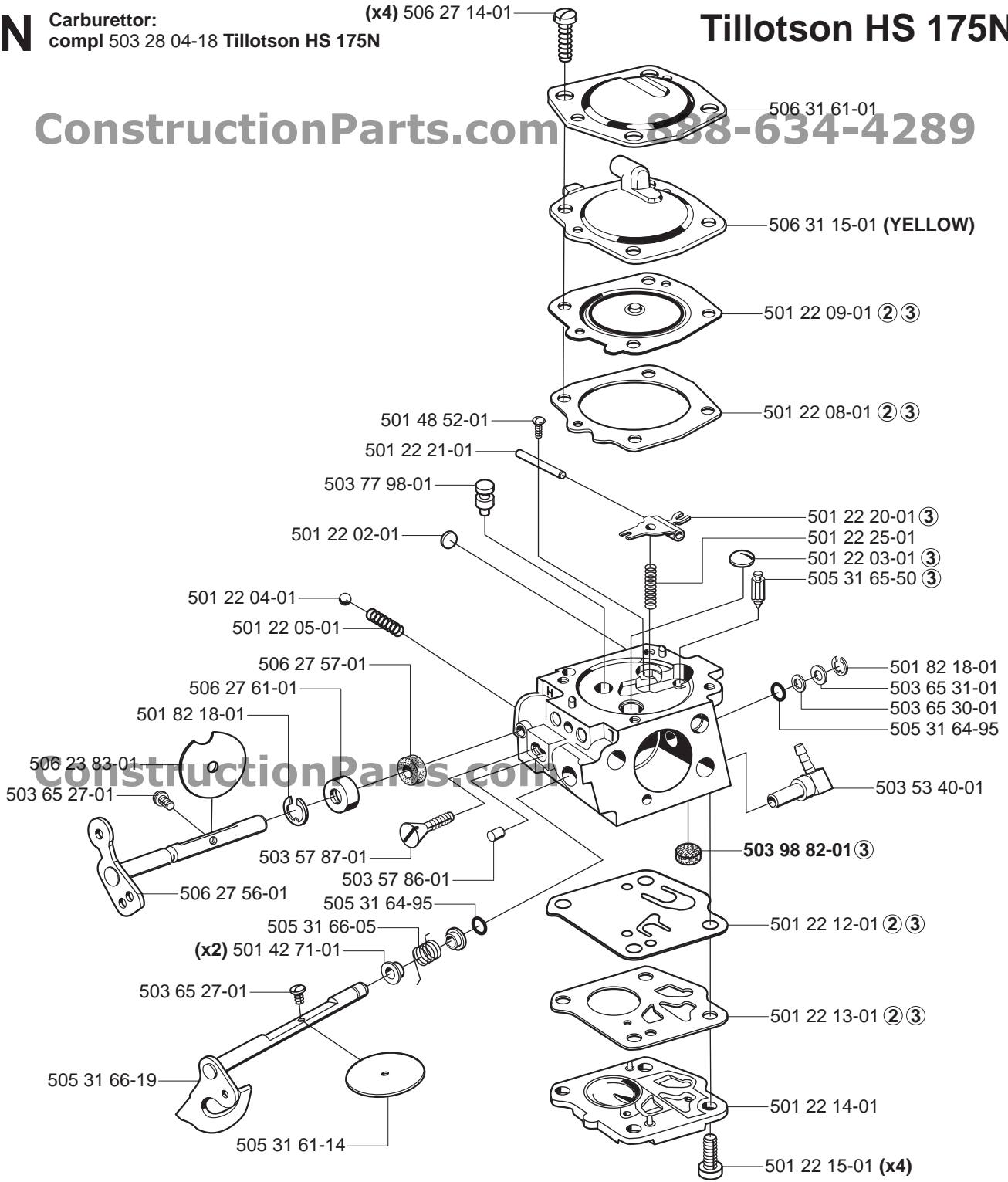
**N**

Carburettor:  
compl 503 28 04-18 Tillotson HS 175N

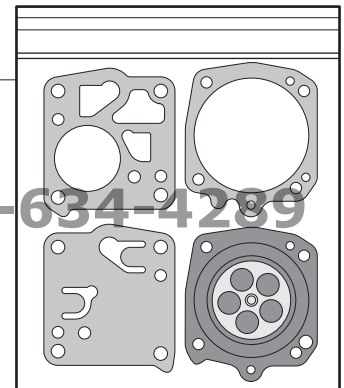
(x4) 506 27 14-01

# Tillotson HS 175N

ConstructionParts.com 888-634-4289



(2) 501 49 48-02  
Diaphragm and  
gasket set  
DG-5HS/T



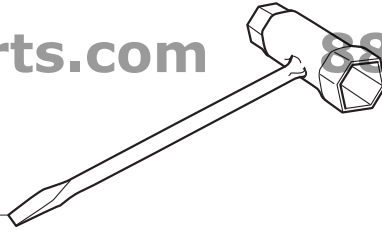
ConstructionParts.com 888-634-4289

**P** Accessories  
Zubehöre  
Accessoires  
Acessorios  
Tillbehör

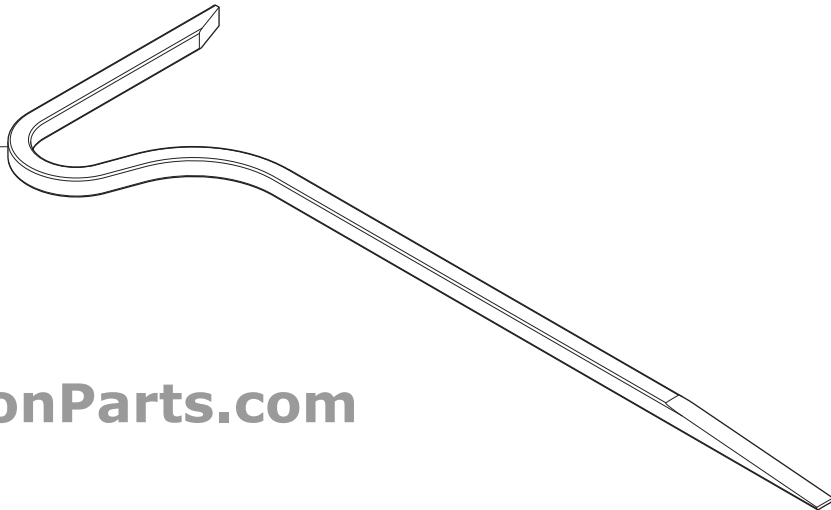
ConstructionParts.com

888-634-4289

NV 13 – 19 501 69 17-02



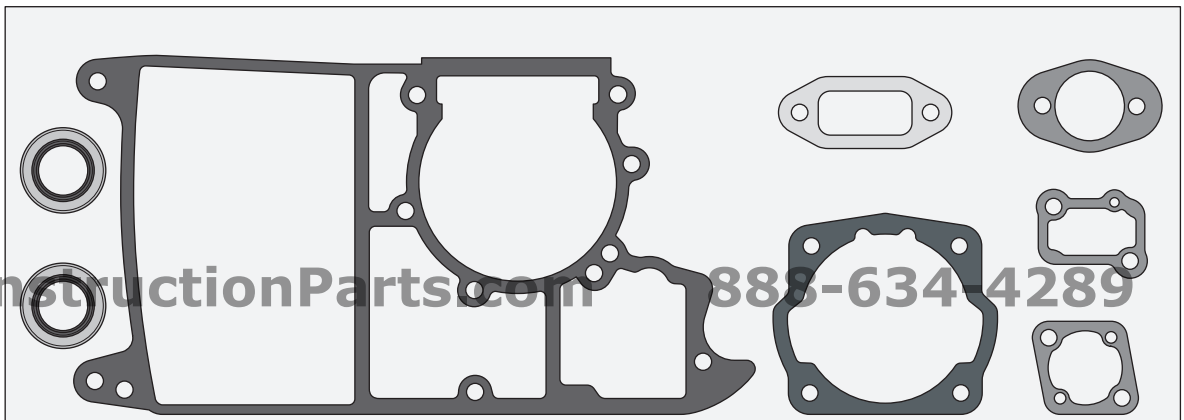
544 17 80-01



ConstructionParts.com

544 38 42-02 ①

Set of gaskets  
Dichtungssatz  
Jeu de joints  
Juego de juntas  
Packningssats



ConstructionParts.com

888-634-4289

No.	Pos.	Description	No.	Pos.	Description
501 22 02-01	N	PLUG	503 57 87-01	N	SCREW
501 22 03-01	N	PLUG	503 57 89-01	D	HOLDER
501 22 04-01	N	BALL	503 65 27-01	N	SCREW
501 22 05-01	N	SPRING	503 65 30-01	N	WASHER
501 22 08-01	N	GASKET, METERING SIDE	503 65 31-01	N	WASHER
501 22 09-01	N	METERING DIAPHRAGM	503 71 53-01	E	VALVE DEKOMPR.
501 22 12-01	N	FUEL PUMP DIAPHRAGM	503 74 43-01	C	SPRING
501 22 13-01	N	GASKET, PUMP SIDE	503 74 44-04	C	CLUTCH
501 22 14-01	N	CAP	503 77 98-01	N	VALVE
501 22 15-01	N	SCREW	503 89 16-01	G	SPRING
501 22 20-01	N	LEVER	503 98 82-01	N	SCREEN
501 22 21-01	N	SHAFT	504 35 72-01	D	FUEL FILTER
501 22 25-01	N	SPRING	505 22 09-37	D	BAR BOLT
501 42 71-01	N	BUSHING	505 26 76-73	G	SPACER
501 48 52-01	N	SCREW	505 26 94-27	G	THROTTLE ROD
501 48 54-02	K	SPARK PLUG CONN. KIT	505 27 75-16	K	INSULATING CAP
501 49 48-02	N	DIAPHRAGM SET	505 27 90-60	M	INSUL. FLANGE
501 63 48-01	K	SPRING	505 27 91-03	G	THROTTLE CONTROL
501 67 32-03	K	PAWL	505 27 91-04	G	THROTTLE CATCH
501 69 17-02	P	COMB.TOOL	505 27 95-13	H	ABSORBER
501 76 83-04	D	HOSE	505 29 56-14	G	SPRING
501 76 83-26	D	HOSE, 245MM.	505 30 23-33	EF	SUPPORT BUSHING
501 81 99-01	K	SCREW	505 30 24-15	C	SUPPORT BUSHING
501 82 18-01	N	RETAINING RING	505 31 61-14	N	THROTTLE FLAP
503 12 79-02	J	STARTER HANDLE	505 31 64-95	N	SEALING RING
503 15 59-02	G	BRACKET RIGHT	505 31 65-50	N	INLET NEEDLE
503 20 00-01	GH	SCREW	505 31 66-05	N	SPRING
503 20 00-02	AG	SCREW	505 31 66-19	N	THROTTLE SHAFT
503 20 00-03	L	SCREW	506 03 99-01	H	REINFORCEMENT STAY
503 20 00-04	H	SCREW	506 07 11-13	D	HOSE
503 20 00-05	EH	SCREW	506 09 56-05	A	CLAMP
503 20 00-07	D	SCREW	506 09 56-06	H	CLAMP
503 20 00-08	DGH	SCREW	506 09 64-01	M	GASKET
503 20 00-09	G	SCREW	506 09 75-02	H	HOSE
503 20 00-10	G	SCREW	506 14 42-01	H	SUPPORT
503 20 00-35	H	SCREW	506 21 77-14	L	CYLINDER COVER
503 20 00-44	G	SCREW	506 21 78-12	L	BASE
503 20 00-47	E	SCREW	506 21 79-01	L	FILTER COVER
503 20 02-90	L	SCREW	506 21 86-02	K	FLYWEEL COMPL.
503 20 21-75	M	SCRUW	506 21 89-02	J	STARTER DEVICE
503 20 25-20	K	SCREW	506 21 90-01	J	AIR CONDUCTOR
503 20 34-19	CJ	SCREW	506 21 91-01	D	GROMMET
503 20 34-25	J	SCREW	506 21 98-01	L	AIR JET
503 20 34-42	L	SCREW	506 22 23-01	L	SEALING
503 21 27-16	CH	SCREW	506 22 24-01	L	SEALING
503 21 28-10	AGJ	SCREW	506 22 42-01	L	AIR FILTER
503 21 67-22	J	SCREW	506 22 44-01	G	GUIDE
503 21 88-74	H	SCREW	506 22 45-01	G	CHOKE CONTROL
503 22 04-01	K	NUT	506 22 47-03	G	BRAKER
503 22 65-04	AGH	NUT	506 22 48-01	G	HOLDER
503 23 00-11	G	WASHER	506 22 63-01	L	FILTER
503 23 00-42	KM	WASHER	506 23 54-02	J	DECAL
503 23 00-73	C	WASHER	506 23 61-01	D	TANK VENT.
503 23 04-03	B	WASHER	506 23 83-01	N	CHOKE FLAP
503 23 51-09	K	SPARK PLUG	506 23 93-01	L	DECAL
503 25 00-01	DF	BALL BEARING	506 24 37-14	E	CYLINDER & PISTON CPL
503 26 02-04	D	SEALING RING	506 25 14-01	J	WASHER
503 26 30-08	A	O-RING	506 25 30-01	J	SPRING
503 26 30-21	H	O-RING	506 25 59-32	D	TANK CAP
503 26 60-01	H	FEMALE QUICK COUPLER	506 25 61-01	D	TANK UNIT
503 28 04-18	MN	CARBURETOR	506 25 81-02	J	STARTER PULLEY
503 28 90-17	E	PISTON RING	506 25 82-01	L	GUARD
503 40 13-02	G	BRACKET LEFT	506 25 89-01	J	RETURN SPRING
503 40 17-01	G	CONTACT SPRING	506 25 95-01	J	STARTER DEVICE
503 41 18-02	GK	CABLE	506 26 28-01	G	SPRING
503 44 31-01	D	GASKET	506 26 30-02	G	STOP SWITCH
503 49 10-01	E	GASKET	506 26 31-01	J	SLEEVE
503 53 40-01	N	NIPPLE	506 26 41-01	D	FILTER
503 55 22-01	E	PLUG	506 26 41-11	D	FILTER
503 57 86-01	N	BALL	506 26 85-01	M	SEALING

No.	Pos.	Description	No.	Pos.	Description
506 27 11-01	D	PENDULUM	506 40 98-01	A	NIPPLE
506 27 14-01	N	SCREW	531 15 59-00	B	BLADE
506 27 56-01	N	SHAFT	531 15 59-01	B	BLADE
506 27 57-01	N	SEALING	531 15 59-02	B	BLADE
506 27 61-01	N	HOLDER	544 01 88-01	K	IGNITION MODULE
506 27 84-42	L	DECAL	544 03 21-01	H	SPRAY GUARD
506 27 84-64	L	DECAL	544 03 22-01	H	PLATE
506 27 84-65	L	DECAL	544 03 92-01	H	BUSHING
506 28 39-30	L	SEALING	544 04 17-01	A	HOSE
506 29 21-01	D	GASKET	544 10 37-02	A	RAIL
506 29 57-03	H	NIPPLE	544 10 47-02	H	SPLASH GUARD
506 29 65-02	H	BRACKET	544 10 48-02	C	CLUTH COVER
506 31 15-01	N	INSERT	544 10 50-02	A	HOSE
506 31 61-01	N	COVER	544 10 52-02	A	CUTTING ARM
506 31 74-01	D	BUSHING	544 10 57-02	A	BEARING HOLDER
506 31 88-01	M	KNUCKLE	544 10 59-01	A	BEARING
506 32 02-01	M	GASKET	544 10 93-02	D	CARNKCASE CPL
506 32 03-01	M	GASKET	544 11 10-02	H	HANDLE
506 32 12-01	N	REPAIR KIT	544 17 80-01	P	TOOL
506 32 15-03	M	CARBURETOR	544 26 53-01	B	WASHER
506 32 21-02	L	DECAL	544 37 44-01	A	DECAL
506 33 16-01	C	SUPPORT BUSHING	544 37 45-01	C	DECAL
506 33 56-15	J	STARTER ROPE	544 37 46-01	L	LABEL
506 34 06-01	E	GASKET	544 38 42-02	DP	GASKET SET
506 34 07-01	E	PLATE	544 89 53-01	H	RESTRICTION
506 34 56-01	D	PROTECTOR	544 89 65-01	L	DECAL
506 35 08-04	G	HANDLE	720 13 07-10	D	PIN
506 35 10-01	F	CRANKSHAFT	721 42 58-20	G	SPRING PIN
506 36 80-01	D	SPACER	724 12 84-01	A	SCREW
506 37 27-07	A	V-BELT	725 52 95-55	L	SCREW
506 38 08-14	E	MUFFLER	731 23 18-01	C	NUT
506 38 46-02	E	PISTON	732 21 14-01	H	LOCKNUT
506 38 59-05	H	HOSE & VALVE CPL	735 31 08-20	C	E-RING
506 38 60-03	H	VALVE CPL	735 31 10-41	B	RETAINING RING
506 38 69-01	G	VIBRATION ABSORBER	735 58 18-00	G	LOCK WASHER
506 38 78-34	K	CABLE	735 88 06-00	F	WOODRUFF KEY
506 38 87-01	G	WEIGHT HANDLE RIGHT	737 43 12-00	E	RETAINING
506 38 88-01	G	WEIGHT HANDLE LEFT	740 42 01-00	M	O-RING
506 38 89-01	G	WEIGHT GROUND SUPPORT	740 42 05-00	H	O-RING
506 39 48-01	G	HANDLE	740 43 13-00	J	O-RING
506 39 49-01	G	WEIGHT HANDLE	740 48 07-03	C	O-RING
506 39 50-06	G	HANDLE			
506 40 24-01	B	NUT			
506 40 25-01	B	SCREW			
506 40 26-01	C	SCREW			
506 40 28-01	A	BALL BEARING			
506 40 29-01	A	BUSHING			
506 40 32-02	C	WHEEL			
506 40 33-01	C	BELT TENSIONER			
506 40 34-01	C	PAWL			
506 40 35-01	H	HANDLE			
506 40 37-01	H	BUSHING			
506 40 38-01	H	BRACKET			
506 40 46-01	A	PROTECTOR			
506 40 50-01	A	PROTECTOR CPL LEFT			
506 40 51-01	A	STOP			
506 40 53-01	A	BAR			
506 40 54-01	C	CLUTCH COVER			
506 40 55-01	A	PROTECTOR			
506 40 56-02	A	DEFLECTION LIMITER			
506 40 57-01	A	GROMMET			
506 40 58-01	A	NIPPLE			
506 40 59-01	A	SEALING			
506 40 60-01	H	SPRING			
506 40 61-01	A	SPRING			
506 40 61-02	A	SPRING			
506 40 62-01	H	SPARY GUARD			
506 40 63-01	H	SPRAY GUARD			
506 40 64-01	A	BLADE GUARD			
506 40 65-01	A	BLADE GUARD			