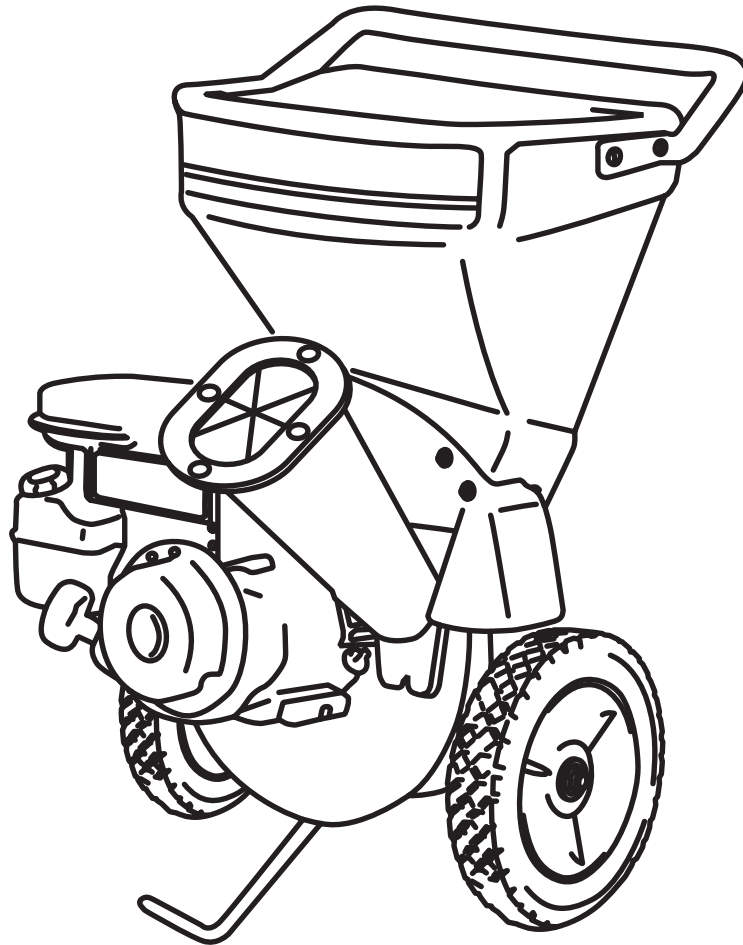




Operator's Manual
Original Operating Instructions
**Chipper/
Shredders**

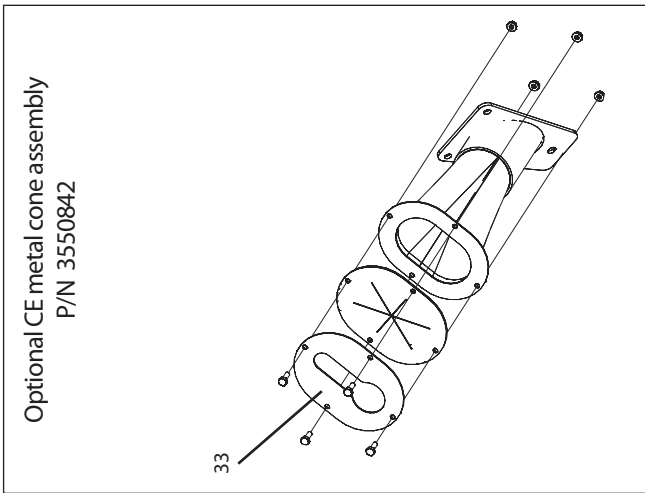
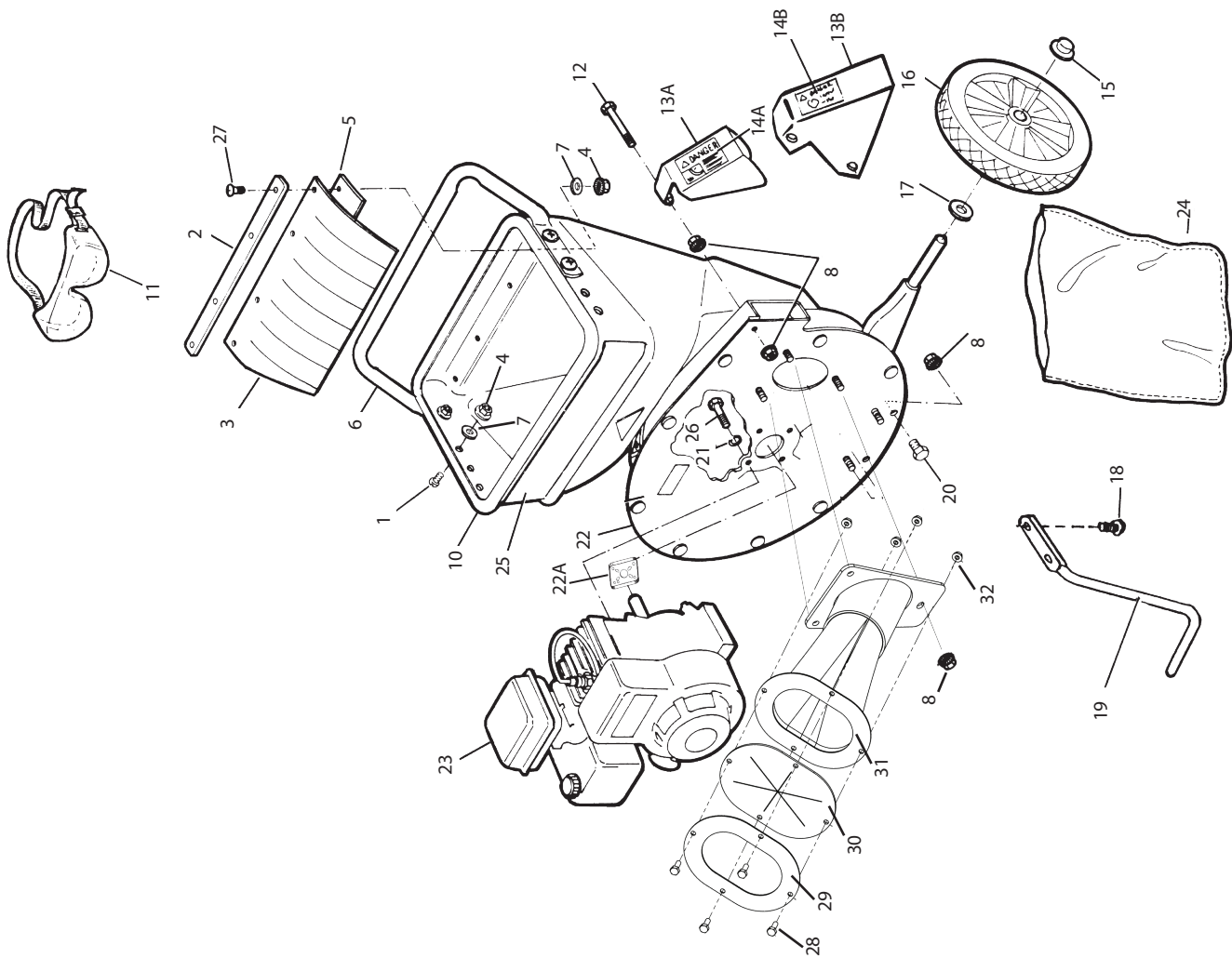


Includes:

Model No.	Description
9050300	196cc Viper Earthquake Chipper / Shredder
9050140	196cc Viper Earthquake Chipper / Shredder (CE)
9060300	8.50 Torque Rated Briggs Earthquake Chipper / Shredder
9060140	8.25 Torque Rated Briggs Earthquake Chipper / Shredder (CE)
9070300	11.50 Torque Rated Briggs Earthquake Chipper / Shredder
9010400	14.50 Torque Rated Briggs Earthquake Chipper / Shredder
9010140	14.50 Torque Rated Briggs Earthquake Chipper / Shredder (CE)
1692327	Tow Bar Kit
1692210	Vacuum Kit



HOPPER & ENGINE GROUP

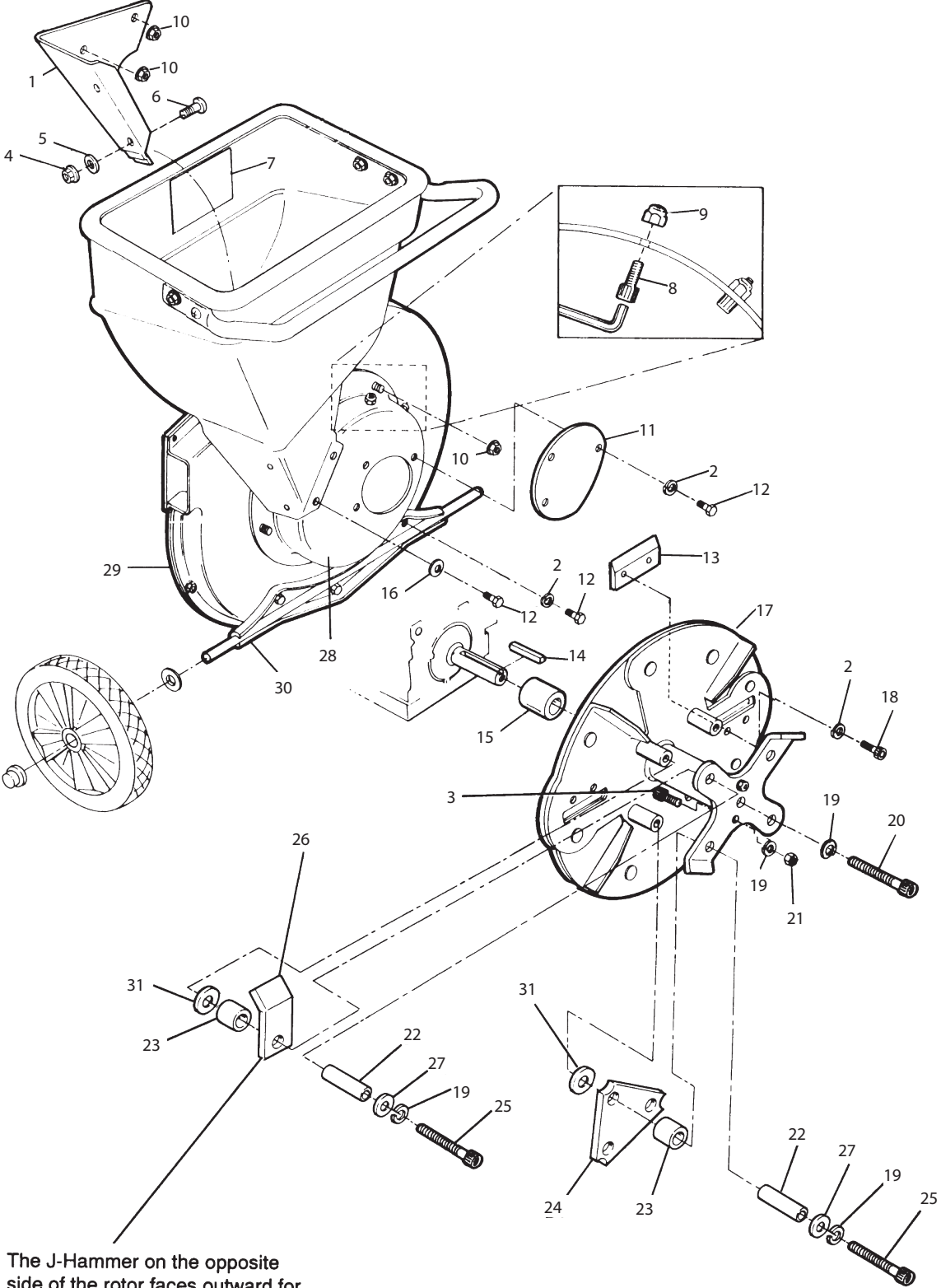


HOPPER & ENGINE GROUP

KEY #	PART #	DESCRIPTION	QTY.
1	1960507	BOLT, SOCKET BUTTON HD, 1/4-20 X 3/4	10
2	1098100	RETAINER, HOPPER GUARD	1
3	1095100	GUARD, HOPPER	1
4	1930642	NUT, FLANGE, 2-WAY LOCK, 1/4-20	14
5	1709603	SUPPORT, HOPPER GUARD	1
6	3621100	HANDLE	1
7	1919326	WASHER, PLAIN, 17/64 X 5/8 X 3/64	8
8	1931277	NUT, WHIZ, 5/18-18	18
9	3550841	CHIPPER CONE ASSEMBLY, METAL (OPTIONAL)	1
10	1709469	HOPPER, RED	1
11	2005612	SAFETY GOGGLES	1
12	1926106	CAPSCREW, HEX, 5/16-18 X 3-1/4 GR5	1
13A	3685100	DEFLECTOR	1
13B	1709556	DEFLECTOR, FIXED (EUROPEAN MODELS)	1
14A	1732181	DECAL, DANGER (U.S. Version)	1
14B	1731921	DECAL, DANGER (CE EUROPEAN)	
15	1960519	NUT, PUSH, 1/2	2
16	1714252	WHEEL & TIRE ASSEMBLY, 11 X 1.75	2
17	1924361	WASHER, PLAIN, 17/32 X 1-1/4 X 5/64	2
18	1928635	SCREW, TAPTITE, 3/8-16 X 1-1/4	4
19	1713099	KICKSTAND ROD	1
20	1925205	CAPSCREW, HEX, 5/16-18 X 5/8	1
21	1917356	LOCKWASHER, 5/16	10
22	1713281	ENGINE PLATE ASSEMBLY	1
22A	4321	ADAPTER PLATE (9050300 & 9050140 ONLY)	2
23	1718055	ENGINE, 8.25 TORQUE RATED BRIGGS CE (9060140)	1
	600	ENGINE, 8.50 TORQUE RATED BRIGGS INTEK HORZ SHAFT (9060300)	1
	700	ENGINE, 11.50 TORQUE RATED BRIGGS (9070300)	1
	113	ENGINE, 14.50 TORQUE RATED BRIGGS CE (9010140)	1

KEY #	PART #	DESCRIPTION	QTY.
23	100	ENGINE, 14.50 TORQUE RATED BRIGGS INTEK (9010400)	1
	31330	ENGINE, 196CC VIPER (9050300 & 9050140)	1
24	1709403	COLLECTION BAG, 24" X 36"	1
25	LBL200201	DECAL, EARTHQUAKE DASH	1
26	1921515	CAPSCREW, HEX HD, 5/16-24 X 3/4	4
27	1960506	BOLT, SOCKET BUTTON HD, 1/4-20 X 7/8	4
METAL CONE ASSEMBLY PARTS			
28	8930B	BOLT, 1/4X3/4 HH GR5 BLK ZN	4
29	3550813	PANEL, CONE TOP FLANGE	1
30	3550840	COVER, CONE FLAP	1
31	3550815	WELDMENT, CONE	1
32	48752B	NUT, FLANGED, TOP LOCK 1/4-20	4
33	3550814	PANEL CONE TOP EURO EUROPEAN MODELS ONLY	1
ADDITIONAL PARTS (NOT SHOWN)			
-	1709480	BASE PLATE, ENGINE	1
-	1713200	SPACER, BRIGGS ENGINE	1
-	1713201	PLATE, KICKSTAND, BRIGGS ENGINE	1
	1713203	PLATE, KICKSTAND, BRIGGS ENGINE, 14.50 TORQUE RATED	1
-	1732039	DECAL, DANGER (U.S. VERSION) CONE	1
-	1731920	DECAL, DANGER (CE EUROPEAN VERSION) CONE	1

HOUSING & ROTOR GROUP



The J-Hammer on the opposite side of the rotor faces outward for balanced rotation.

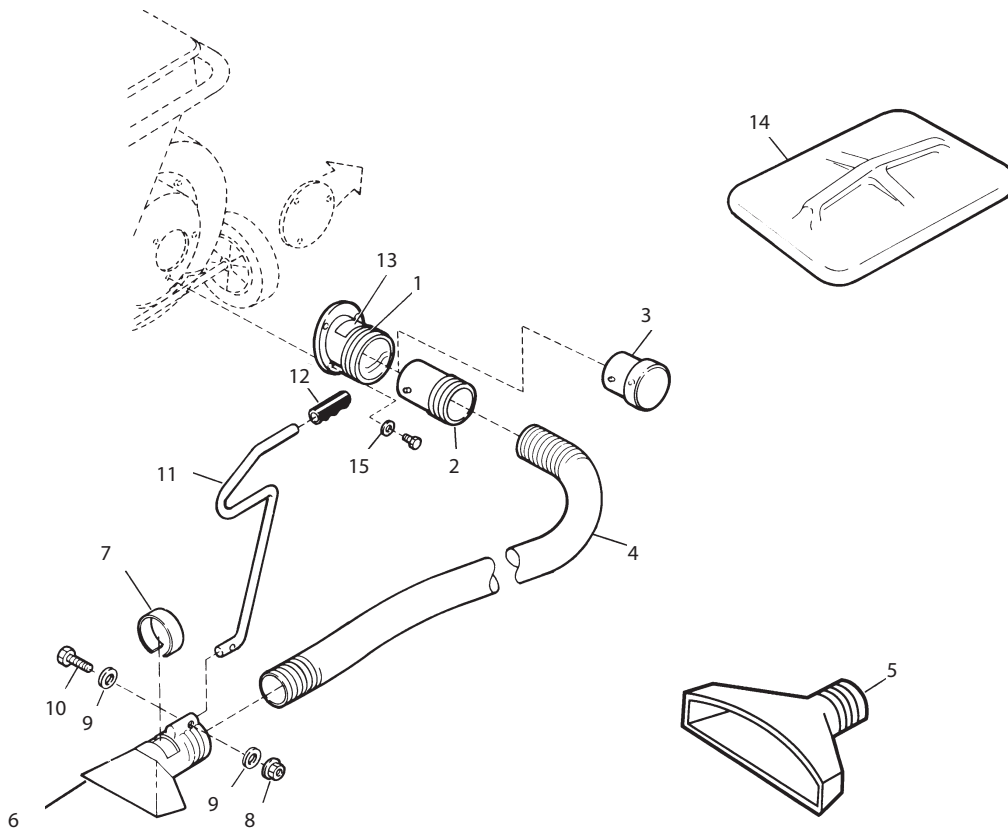
HOUSING & ROTOR GROUP

KEY #	PART #	DESCRIPTION	QTY.
1	3525100	LINER, HOPPER	1
2	1917356	LOCKWASHER, SPLIT 5/16	10
3	6518100	CAPSCREW, SOCKET HD 3/8-16 X 5/8	2
4	1930642	NUT, 2-WAY LOCK 1/4-20	2
5	1919326	WASHER, FLAT 1/4	2
6	1960507	BOLT, SOCKET BUTTON HD, 1/4-20 X 3/4	2
7	1731918	DECAL, CAUTION (U.S VERSION)	1
	1731919	DECAL, CAUTION (CE, EUROPEAN)	
8	6005100	CAPSCREW, SOCKET HD 5/16-28 X 1/2	2
9	1919438	NUT, NYLOCK 5/16-18	2
10	1931277	NUT, HEX FLANGE 5/16-18	7
11	3520100	COVER, ROTOR HOUSING	1
12	1920787	CAPSCREW, HEX HD 5/16-18 X 1/2	8
13	3315612	CHIPPER KNIFE	2
14	905100	KEY 1/4 SQ. X 1-7/8	1
15*	3299100	SPACER, ROTOR, .822" LONG (9060300, 9060140, 9050300, 9050140)	1
	1713206	SPACER, ROTOR, .72" LONG (9070300, 9010400, 9010140)	1
16	1924874	WASHER, FLAT 5/16	2
17	1660071	ROTOR HAMMERS & KNIVES ASMY 5/14 CS (9060300, 9060140, 9050300, 9050140)	1
	1660092	ROTOR HAMMERS & KNIVES ASMY 8/14 CS (9070300, 9010400, 9010140)	1
18	6005612	CAPSCREW, SOCKET HD 5/16-24 X 5/8	4
19	1916965	LOCKWASHER, SPLIT 3/8	7
20	6516100	CAPSCREW, SOCKET HD 3/8-24 X 2	1

KEY #	PART #	DESCRIPTION	QTY.
21	1916950	NUT, HEX 3/8-16	2
22	1709614	SPACER, TUBE	4
23*	1709616	SPACER, 3/4" O.D. X 3/4" LONG (9070300, 9010400, 9010140)	4
	1713207	SPACER, 1" O.D. X 33/64" LONG (9060300, 9060140, 9050300, 9050140)	4
24	3307612	HAMMER, TRIANGULAR	2
25	1960508	CAPSCREW, HEX SOCKET HD W/ PATCH 3/8-16 X 2 GR8	4
26	3307100	J HAMMER	2
27	1924940	WASHER, FLAT 7/8" O.D.	4
28	3521100	HOUSING, ROTOR	1
29	3501100	HOUSING, FAN	1
30	3505100	AXLE ASSEMBLY	1
31	1676435	WASHER, PLAIN 1/2 X 1-1/4 X 3/16	4
-	1921333	BOLT, HEX HD CAPSCREW, 5/16-18 X 1 GR5	1
-	1714177	ROTOR ASSEMBLY	1
-	1685698	ROTOR KIT (INCLUDES KEY #'S: 2, 17, 22, 23, 26, 29)	1
-	1660071	ROTOR HAMMERS & KNIVES ASSEMBLY (9050300, 9050140, 9060300, 9060140 MODELS)	1
-	1660092	ROTOR HAMMERS & KNIVES ASSEMBLY (9070300, 9010400, 9010140 MODELS)	1

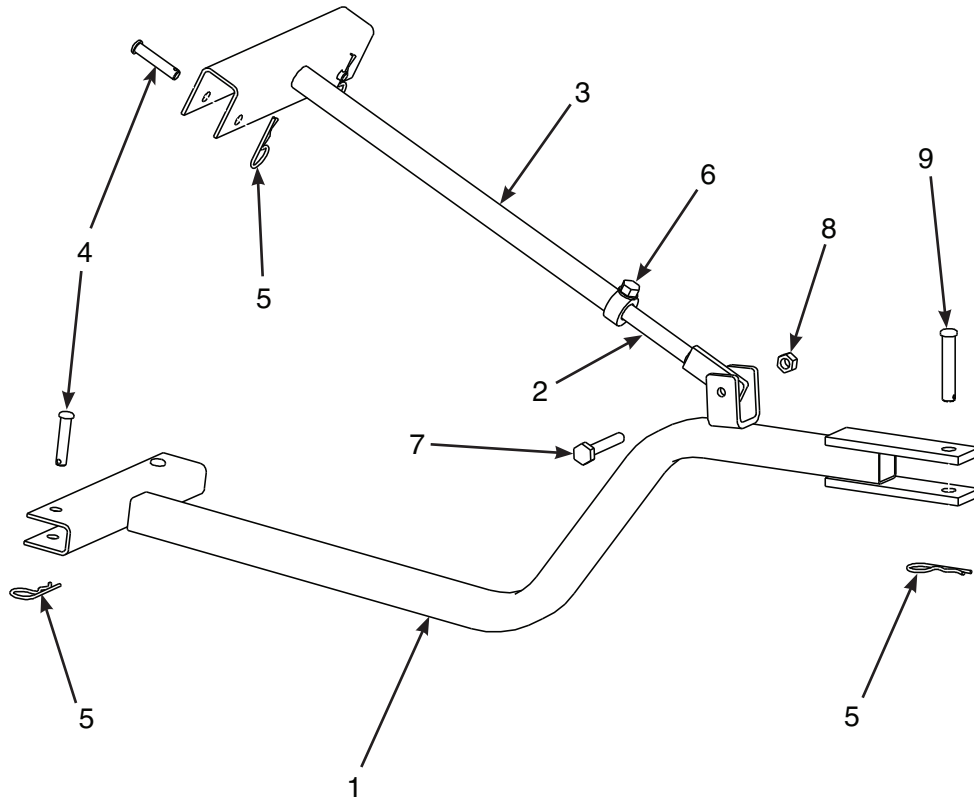
* Measure length to determine which spacer to use.

1692210 VACUUM KIT (OPTIONAL ACCESSORY)



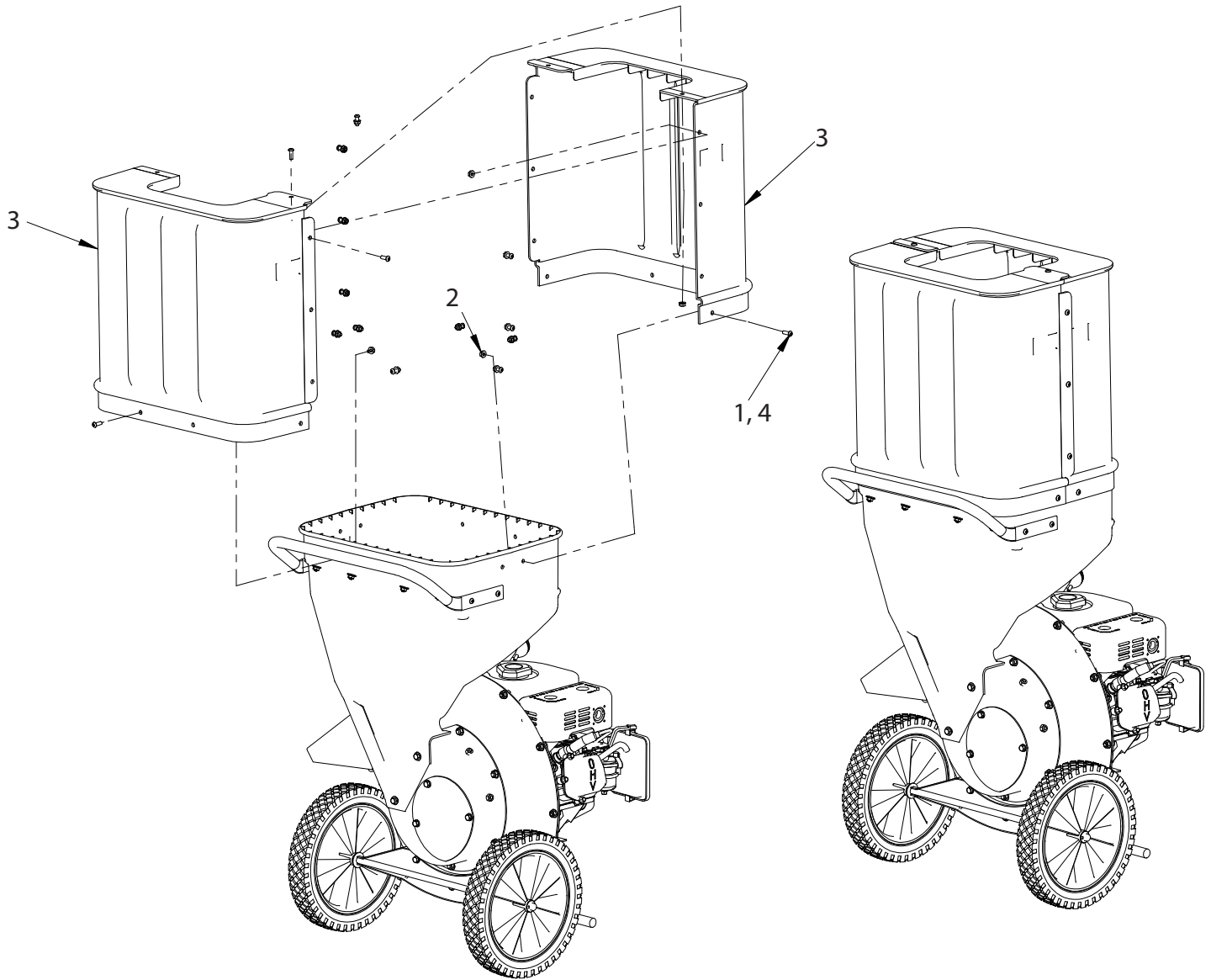
KEY #	PART #	DESCRIPTION	QTY.
1	1021100	ADAPTER	1
2	1023100	COUPLER	1
3	1025100	PLUG, CAP	1
4	1035100	HOSE, 4" DIA. X 10' LONG	1
5	1027100	LEAF TRAY	1
6	1030100	NOZZLE	1
7	1024100	RING, NOTCHED, 5" DIA. X 3" LONG	1
8	1960294	NUT, HEX FLANGE, 1/4-20	1
9	1921319	WASHER, 1/4	2
10	6041612	BOLT, PHILLIPS TRUSS HD, 1/4-20 X 1-1/2	1
11	1026100	HANDLE	1
12	1028100	GRIP, HANDLE	1
13	5001612	DECAL, DANGER	1
14	1709467	HOPPER LID, RED	1
15	1919326	WASHER, FLAT, 5/16	3
-	1732039	DECAL, DANGER	1

1692327 TOW BAR KIT (OPTIONAL ACCESSORY)



KEY #	PART #	DESCRIPTION	QTY.
1	1713352	BENT ARM ASSEMBLY	1
2	1713414	ROD ASSEMBLY	1
3	1713357	ROD HOLDER ASSEMBLY	1
4	1710726	PIN, CLEVIS, 5/16 X 1-1/2	4
5	1918196	PIN, QUICK, 3/32 X 1-7/8	5
6	1925205	BOLT, HEX HD CAPSCREW, 5/16-18 X 5/8 GR5	1
7	1423B	BOLT, HEX HD CAPSCREW, 5/16-18 X 2 GR5	1
8	1919438	NUT, HEX LOCK, 5/16-18	1
9	118053	PIN, ROUND HD, 3/8 X 2	1

HOPPER EXTENSION PARTS EXPLOSION, PARTS LIST AND FULL ASSEMBLY (CE EUROPEAN MODELS ONLY)



KEY #	PART NO.	DESCRIPTION	QTY.
1	1960507	BOLT 1/4-20 X 3/4 SBH BLK ZN	16
2	1930642	NUT 1/4-20 HFLTPLK BLK ZN	16
3	179470	EXTENSION CHIPPER HOPPER CE	2
4	1921319	WASHER, PLAIN 17/64 X 5/8 X 3/64 (NOT SHOWN)	16