

OPERATION AND PARTS MANUAL



***Mikasa* SERIES**
MODEL MVH-206GH
REVERSIBLE PLATE COMPACTOR
(HONDA GX240U1SMX2 ENGINE)

Revision #0 (06/17/08)

THIS MANUAL MUST ACCOMPANY THE EQUIPMENT AT ALL TIMES.

TABLE OF CONTENTS

MVH-206GH REVERSIBLE PLATE COMPACTOR

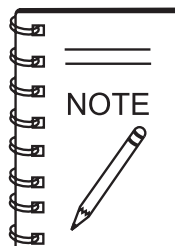
| | |
|--|-------|
| Proposition 65 Warning | 2 |
| Table of Contents | 4 |
| Parts Ordering Procedures | 5 |
| Safety | 6-7 |
| Rules and Regulations | 8-10 |
| Specifications | 11 |
| Dimensions | 12 |
| General Information | 13 |
| Controls and Components | 14 |
| Basic Engine | 15 |
| Inspection | 16-17 |
| Operation | 18-21 |
| Maintenance | 22-26 |
| Troubleshooting | 27-29 |
| Explanation of Codes in Remarks Column | 30 |
| Suggested Spare Parts | 31 |

COMPONENT DRAWINGS

| | |
|----------------------------|-------|
| Vibrating Plate Assy | 34-35 |
| Base and Engine Assy | 36-39 |
| Vibrator Assy | 40-41 |
| Control | 42-45 |

HONDA GX240U1SMX2 DRAWINGS

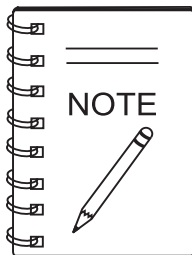
| | |
|--|-------|
| Air Cleaner Assy | 46-47 |
| Camshaft Assy | 48-49 |
| Carburetor Assy | 50-51 |
| Control Assy | 52-53 |
| Cylinder Barrel Assy | 54-55 |
| Cylinder Head Assy | 56-57 |
| Crankcase Cover Assy | 58-59 |
| Crankshaft Assy | 60-61 |
| Fan Cover Assy | 62-63 |
| Flywheel Assy | 64-65 |
| Fuel Tank Assy | 66-67 |
| Ignition Coil Assy | 68-69 |
| Muffler Assy | 70-71 |
| Piston Assy | 72-73 |
| Recoil Starter Assy | 74-75 |
| Label /Tool Assy | 76-77 |
| Terms and Conditions Of Sale — Parts | 78 |



*Specification and part number are
subject to change without notice.*

FOR YOUR SAFETY AND SAFETY OF OTHERS!

Safety precautions should be followed at all times when operating this equipment. Failure to read and understand the Safety Messages and Operating Instructions could result in injury to yourself and others.



This manual has been developed to provide complete instructions for the safe and efficient operation of this equipment. Refer to the engine manufacturer's instructions for data relative to its safe operation.

Before using this equipment ensure that the operating individual has read and understood all instructions in this manual.

SAFETY MESSAGE ALERT SYMBOLS

The three Safety Messages shown below will inform you about potential hazards that could injure you or others. The Safety Messages specifically address the level of exposure to the operator, and are preceded by one of three words: **DANGER**, **WARNING**, or **CAUTION**.

DANGER

You **WILL** be **KILLED** or **SERIOUSLY INJURED** if you **DO NOT** follow these directions.

WARNING

You **CAN** be **KILLED** or **SERIOUSLY INJURED** if you **DO NOT** follow these directions.

CAUTION

You **CAN** be **INJURED** if you **DO NOT** follow these directions.

HAZARD SYMBOLS

Potential hazards associated with the operation of this equipment will be referenced with Hazard Symbols which appear throughout this manual, and will be referenced in conjunction with Safety Message Alert Symbols.

WARNING — Lethal Exhaust Gas Hazards



Engine fuel exhaust gases contain poisonous carbon monoxide. This gas is colorless and odorless, and can cause death if inhaled. **NEVER** operate this equipment in a confined area or enclosed structure that does not provide ample free flow air.

WARNING — Explosive Fuel Hazards



Fuel is extremely flammable and its vapors can cause an explosion if ignited. **DO NOT** start the engine near spilled fuel or combustible fluids.

DO NOT fill the fuel tank while the engine is running or hot. **DO NOT** overfill tank, since spilled fuel could ignite if it comes into contact with hot engine parts or sparks from the ignition system. Store fuel in approved containers, in well-ventilated areas and away from sparks and flames.

WARNING — Burn Hazards



Engine components can generate extreme heat. To prevent burns, **DO NOT** touch these areas while the engine is running or immediately after operation. Never operate the engine with heat shields or heat guards removed.

WARNING — Respiratory Hazards



ALWAYS wear approved respiratory protection when required.

CAUTION — Rotating Parts Hazards



NEVER operate equipment with covers or guards removed. Keep fingers, hands, hair and clothing away from all moving parts to prevent injury.

CAUTION — Overspeed Conditions



NEVER tamper with the factory setting of the engine governor. Personal injury and equipment damage can result if operating in speed ranges above the maximum allowable.

CAUTION — Accidental Starting Hazards



ALWAYS place the equipment ON/OFF switch in the OFF position when the equipment is not in use.

CAUTION — Equipment Damage Hazards

Other important messages are provided throughout this manual to help prevent damage to your equipment, other property, or the surrounding environment.

CAUTION — Eye and Hearing Hazards



ALWAYS wear approved eye and hearing protection when required.

RULES AND REGULATIONS

WARNING — Read This Manual

Failure to follow instructions in this manual may lead to serious injury or even **DEATH!** This equipment is to be operated by trained and qualified personnel only! This equipment is for industrial use only.

GENERAL SAFETY

- **DO NOT** operate or service this equipment before reading this entire manual.



- This equipment should not be operated by persons under 18 years of age.

- **NEVER** operate this equipment without proper protective clothing, shatterproof glasses, steel-toed boots and other protective devices required by the job.



- **NEVER** operate this equipment when not feeling well due to fatigue, illness or when under medication.



- **NEVER** operate this equipment under the influence of drugs or alcohol.



- **NEVER** disconnect any "**emergency or safety devices**". These devices are intended for operator safety. Disconnection of these devices can cause severe injury, bodily harm or even death! Disconnection of any of these devices will void all warranties.

- **NEVER** use accessories or attachments that are not recommended by Multiquip for this equipment. Damage to the equipment and/or injury to user may result.

- Manufacturer does not assume responsibility for any accident due to equipment modifications. Unauthorized equipment modification will void all warranties.

- Whenever necessary, replace nameplate, operation and safety decals when they become difficult read.

- **ALWAYS** check the equipment for loosened threads or bolts before starting.

- **NEVER** touch the hot exhaust manifold, muffler or cylinder. Allow these parts to cool before servicing engine or pump.



- **ALWAYS** allow the engine to cool before adding fuel or performing service and maintenance functions. Contact with *hot* components can cause serious burns.

- **NEVER** operate this equipment in any enclosed or narrow area where free flow of the air is restricted. The engine of this equipment requires an adequate free flow of cooling air. If the air flow is restricted it will cause serious damage to the equipment or engine and may cause injury to people and property. Remember the engine gives off **DEADLY** gases.



- **ALWAYS** refuel in a well-ventilated area, away from sparks and open flames.

- **ALWAYS** use extreme caution when working with **flammable** liquids. When refueling, **stop** the engine and allow it to cool.

- **DO NOT** smoke around or near the equipment. Fire or explosion could result from fuel vapors, or if fuel is spilled on a hot engine.



- **NEVER** operate the equipment in an explosive atmosphere or near combustible materials. An explosion or fire could result causing severe **bodily harm or even death**.



- **DO NOT** top-off fuel tank. Topping-off is dangerous as it causes fuel to spill.

- **ALWAYS** store the equipment in a clean, dry location out of the reach of children.

- **NEVER** run engine without air cleaner. Severe engine damage may occur.

- **NEVER** leave the equipment unattended with the engine running. Turn off engine when unattended.

- **CAUTION** must always be observed while servicing this equipment. Rotating parts can cause injury if contacted.

RULES AND REGULATIONS

LOADING AND UNLOADING

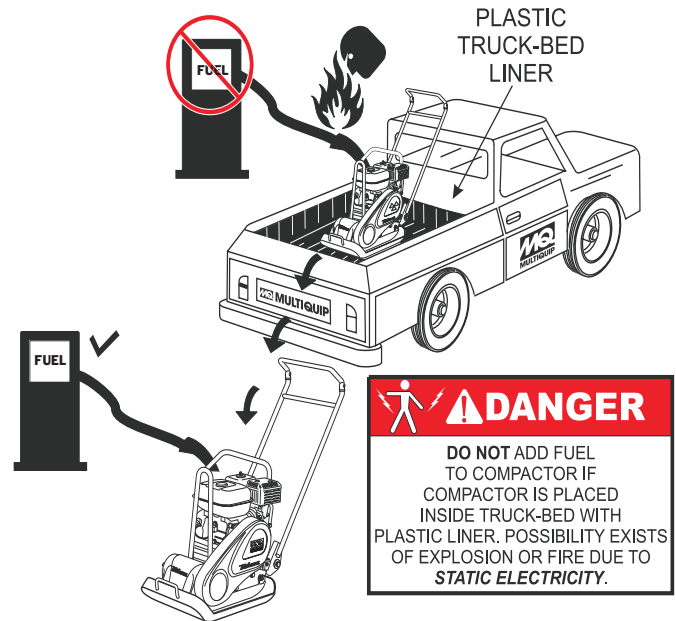
- Before lifting, make sure that equipment parts (hook and vibration insulator) are not damaged and screws are not loosened or lost.
- **ALWAYS** make sure crane or lifting device has been properly secured to the lifting bail (hook) of the equipment.
- **NEVER** lift the equipment while the engine is running.
- Use adequate lifting cable (wire or rope) of sufficient strength.
- Use one point suspension hook and lift straight upwards.
- **NEVER** allow any person or animal to stand underneath the equipment while lifting.
- **DO NOT** lift machine to unnecessary heights.

TRANSPORTING



- **ALWAYS** shutdown engine before transporting.
- Tighten fuel tank cap securely and close fuel cock to prevent fuel from spilling.
- **ALWAYS** tie down the equipment during transport by securing the equipment with rope.

REFUELING



MAINTENANCE SAFETY

- **NEVER** lubricate components or attempt service on a running machine.
- **ALWAYS** allow the machine a proper amount of time to cool before servicing.
- Keep the equipment in proper running condition.
- Fix damage to the equipment immediately and always replace broken parts.
- Dispose of hazardous waste properly. Examples of potentially hazardous waste are used motor oil, fuel and fuel filters.
- **DO NOT** use food or plastic containers to dispose of hazardous waste.
- **DO NOT** pour waste, oil or fuel directly onto the ground, down a drain or into any water source.

RULES AND REGULATIONS

EMERGENCIES

- **ALWAYS** know the location of the nearest *fire extinguisher*.
- **ALWAYS** know the location of the nearest *first aid kit*.
- In emergencies, *always* know the location of the nearest phone or **keep a phone on the job site**. Also know the phone numbers of the nearest **ambulance**, **doctor** and **fire department**. This information will be invaluable in case of emergency.



BATTERY SAFETY (FOR ELECTRIC START)

- The battery contains acids that can cause injury to the eyes and skin. **ALWAYS** wear safety glasses to avoid eye irritation.
- **ALWAYS** wear well-insulated gloves when picking up the battery.
- **ALWAYS** keep the battery charged. If the battery is not charged, a buildup of combustible gas will occur.
- **DO NOT** charge battery if frozen. Battery can explode. When frozen, warm the battery to at least 61° F (16° C).
- **ALWAYS** make sure battery terminals are properly connected. Inadequate battery connections may cause poor starting of the equipment and create other malfunctions.
- **ALWAYS** keep battery cables in good working condition. Repair or replace all worn cables.
- **ALWAYS** recharge the battery in a vented air environment, to avoid risk of a dangerous concentration of combustible gases.
- **ALWAYS** disconnect the negative battery terminal before performing service on the equipment.
- If the battery liquid (dilute sulfuric acid) comes in contact with clothing or skin, rinse skin or clothing immediately with plenty of water.
- If the battery liquid (dilute sulfuric acid) comes in contact with your **EYES**, rinse eyes immediately with plenty of water and contact the nearest doctor or hospital to seek medical attention.



DANGER — Explosion Hazards

The risk of an explosion exists when performing service on the battery. To avoid **severe injury** or **DEATH**:



DO NOT drop the battery. There is the possibility of risk that the battery may explode.

DO NOT expose the battery to open flames, sparks, cigarettes, etc. The battery contains combustible gases and liquids. If these gases and liquids come in contact with a flame or spark, an explosion could occur.

SPECIFICATIONS

Table 1. MVH-206GH Specifications

| | |
|-------------------------|------------------------------------|
| Centrifugal Force | 7,870 lbf (35 kN) |
| Vibration Frequency | 5,200 vpm (86.7 Hz) |
| Traveling Speed | 0 to 75 ft/min (0 to 23 m/min) |
| Plate Size (L x W) | 28.4 x 19.7 in (720 x 500 mm) |
| Max. Area of Compaction | 7,380 sq. ft./h (690 sq. meters/h) |
| Operating Weight | 459 lbs. (208 kg) |
| Vibrating Oil Capacity | 0.63 quart (0.6 liter) |

Table 2. Engine Specifications

| Model | HONDA GX240U1SMX2 |
|----------------------|---|
| Type | Air-cooled, 4-cycle Gasoline Engine |
| Bore X Stroke | 2.87 in. X 2.28 in. (73 mm x 58 mm.) |
| Displacement | 14.8 cu. in. (242 cc) |
| Max Power Output | 7.1 HP (5.3 KW) @ 3600 R.P.M. |
| Fuel Tank Capacity | 5.6 quarts (5.3 liters) |
| Fuel | Unleaded Automobile Gasoline |
| Operating Speed | 3,200 rpm |
| Lube Oil Capacity | 1.2 quarts (1.1 liters) |
| Speed Control Method | Centrifugal Fly-weight Type |
| Starting Method | Recoil Start |

DIMENSIONS

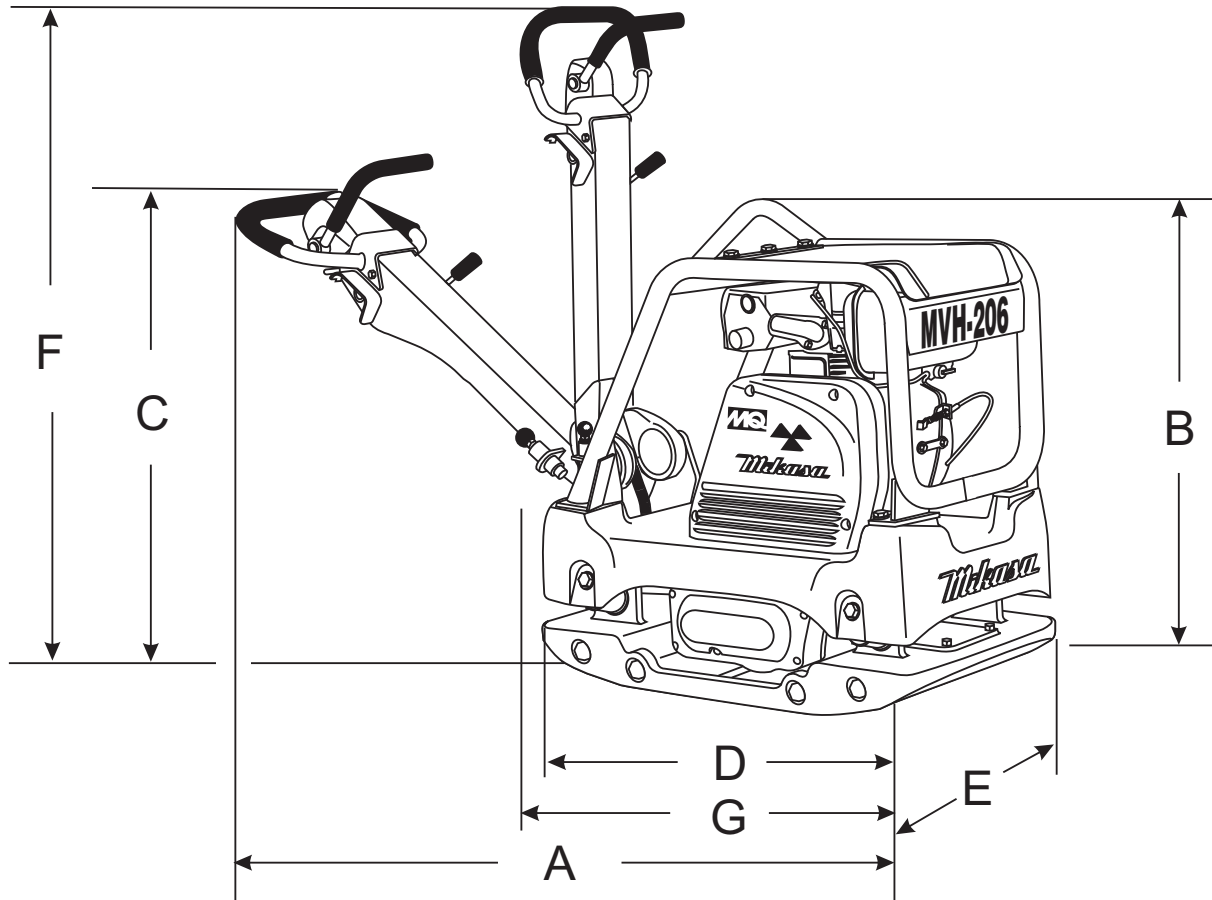


Figure 1. MVH206GH Dimensions

| Table 3. Dimensions | | |
|---------------------|--------------------------------------|--------------------|
| Reference | Description | Measurement |
| A | Length (Handle in Working Position) | 54.3 in (1,380 mm) |
| B | Height of Main Body | 30 in (763 mm) |
| C | Height (Handle in Working Position) | 34 in (1,100mm) |
| D | Lenght of Plate | 28.4 in (720 mm) |
| E | Width of Plate | 19.7 in (500 mm) |
| F | Height (Handle in Vertical Position) | 51.6 in (1,310 mm) |
| G | Length (Handle in Vertical Position) | 31.5 in (800 mm) |

PLATE COMPACTOR

The Mikasa MVH-206GH is a walk behind, reversible plate compactor designed for the compaction of sand, clay and asphalt. This plate compactor is a powerful compacting tool capable of applying a tremendous force in consecutive high frequency vibrations to a soil surface. Its applications include soil compacting for road, embankments and reservoirs as well as backfilling for gas pipelines, water pipelines and cable installation work.

VIBRATORY PLATES

The vibratory plates of the MVH-206GH produce low amplitude high frequency vibrations, designed to compact granular soils.

The resulting vibrations cause forward motion. The engine and handle are vibration isolated from the vibrating plate. The heavier the plate, the more compaction force it generates.

REVERSIBLE VIBRATORY PLATES

Reversible vibratory plates have two eccentric weights that allow a smooth transition for forward and reverse travel, plus increased compaction force as the result of dual weights.

Due to their weight and force, reversible plates are ideal for semi-cohesive soils.

FREQUENCY/SPEED

The compactor's vibrating plate maximum frequency is 5200 vpm (vibrations per minute). The forward and reverse travel speed of the compactor is approximately 75 feet/minute (23 meters/minute).

ENGINE

The Mikasa MVH-206GH Plate Compactor is equipped with a GX240U1SMX2 (recoil start) gasoline engine.

CONTROLS

Before starting the MVH-206GH Plate Compactor, identify and understand the function of the controls and components.

CONTROLS AND COMPONENTS

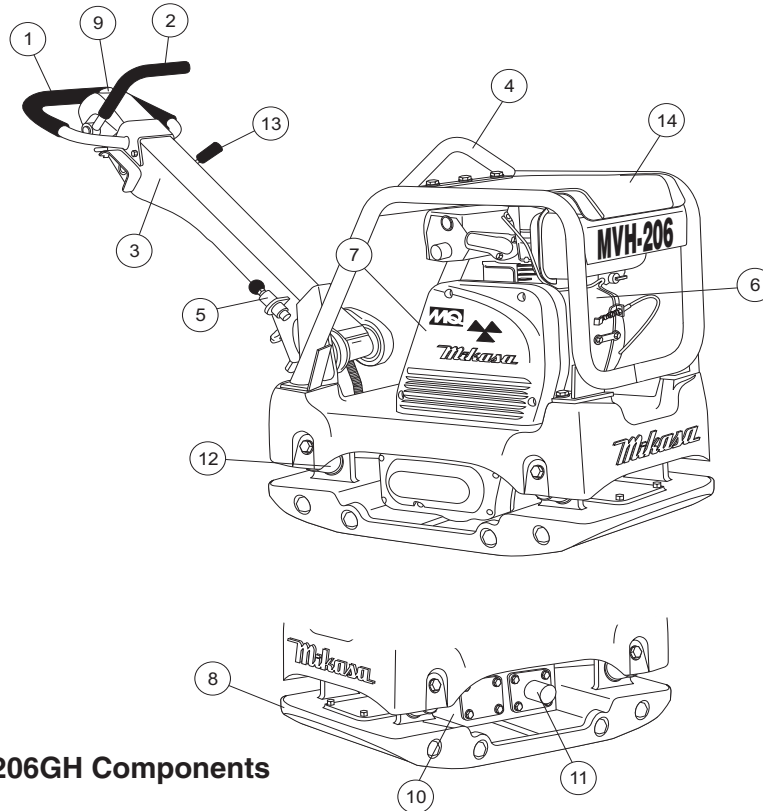


Figure 2. MVH206GH Components

Figure 2 illustrates the location of the major components for the MVH-206GH Reversible Plate Compactor. The function of each component is described below:

1. **Hand Grip** – When operating the compactor use this hand grip to maneuver the compactor.
2. **Forward and Reverse Lever** – *Push* the lever forward, the compactor will move in a forward direction. *Pull* the lever backwards, the compactor will move in reverse direction. Placing the lever in the middle (midway) will cause the compactor not to move (neutral).
3. **Handle Bar** – When operating the compactor, this handle should be in the downward position. When the compactor is to be **stored**, move the handle bar to the upright position.
4. **Guard Hook** - Used to lift the machine with a crane or other lifting device.
5. **Stopper** - Locks the handle in place in the upward position for stowing.
6. **Engine** – This plate compactor uses a **Honda GX240U1SMX2** gasoline engine. Refer to the engine owner's manual for engine information.
7. **Belt Cover** – Remove this cover to gain access to the V-belts. **NEVER** run the compactor without the V-belt cover. If the V-belt cover is not installed, the possibility exists of your hand getting caught between the V-belt and clutch, thus causing serious injury and bodily harm.
8. **Base Plate** – Designed to compact sand, clay, and asphalt.
9. **Oil Reservoir** – Fill with Shell Tellus Oil 46 or equivalent grade hydraulic oil.
10. **Vibration Case** – Encloses the eccentric, gears and counter weights.
11. **Hydraulic Cylinder** – Activated by moving the travel lever. The cylinder controls the direction of movement by the plate compactor.
12. **Shock Absorber** – Protects plate compactor from damage by absorbing vibration during operation.
13. **Throttle Lever** – Controls speed of the plate compactor. Place straight vertically to start, **push** fully counterclockwise for full throttle and fully clockwise to stop plate compactor.
14. **Rubber Cover** – Lift this rubber cover to gain access to the fuel tank.

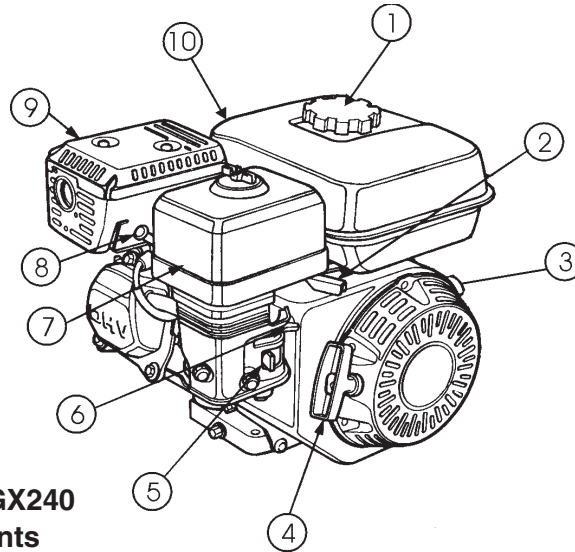


Figure 3. Honda GX240 Engine Components

The engine (Figure 3) must be checked for proper lubrication and filled with fuel prior to operation. Refer to the manufacturer's engine manual for instructions & details of operation and servicing. The engine shown above is a **HONDA** engine, operation for other types of engines may vary somewhat.

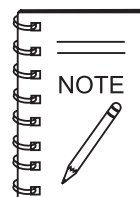
1. **Fuel Filler Cap** – Remove this cap to add unleaded gasoline to the fuel tank. Make sure cap is tightened securely. **DO NOT** over fill.

6. **Choke Lever** – Used in the starting of a cold engine, or in cold weather conditions. The choke enriches the fuel mixture.
7. **Air Cleaner** – Prevents dirt and other debris from entering the fuel system. Remove wing-nut on top of air filter canister to gain access to filter element.
8. **Spark Plug** – Provides spark to the ignition system. Set spark plug gap to 0.024 - 0.028 inch (0.6 - 0.7 mm). Clean spark plug once a week.

DANGER — Fuel Hazard



Adding fuel to the tank should be done only when the engine is stopped and has had an opportunity to cool down. In the event of a fuel spill, **DO NOT** attempt to start the engine until the fuel residue has been completely wiped up and the area surrounding the engine is dry.



NOTE

Operating the engine without an air filter, with a damaged air filter, or a filter in need of replacement will allow dirt to enter the engine, causing rapid engine wear.

2. **Throttle Lever** – Used to adjust engine RPM speed (lever advanced forward-**SLOW**, lever back toward operator-**FAST**).
3. **Engine ON/OFF Switch** – ON position permits engine starting, OFF position stops engine operation.
4. **Recoil Starter (pull rope)** – Manual-starting method. Pull the starter grip until resistance is felt, then pull briskly and smoothly.
5. **Fuel Valve Lever** – **OPEN** to let fuel flow, **CLOSE** to stop the flow of fuel.

9. **Muffler** – Used to reduce noise and emissions.

WARNING — Hot Components



Engine components can generate extreme heat. To prevent burns, **DO NOT** touch these areas while the engine is running or immediately after operating. **NEVER** operate the engine with the muffler removed.

10. **Fuel Tank** – Holds unleaded gasoline. For additional information refer to engine owner's manual.

⚠ CAUTION — Eye and Hearing Hazards




ALWAYS wear approved eye and hearing protection when required.

⚠ WARNING — Lethal Gas Exhaust Hazard



NEVER operate the compactor in a confined area or enclosed area structure that does not provide ample **free flow of air**.

Before Starting

1. Read safety instructions at the beginning of manual.
2. Familiarize yourself with the operating and control elements of the machine and the working environment. This includes obstacles in the working area, bearing capacity of the ground and the necessary safety provisions. 
3. Check the air filter for dirt and dust. If air filter is dirty, replace air filter with a new one as required.
4. Check fastening nuts and bolts for tightness. Loose threads may cause damage to the machine when vibrating.
5. Understand the geographical features and regulations of the job site.
6. Clean the compactor, removing dirt and dust. Particularly, the bottom of the plate, engine cooling air inlet.

Checking Engine Oil Level

1. To check the engine oil level, place the compactor on secure level ground with the engine stopped.
2. Remove the dipstick from the engine oil filler hole (Figure 4) and wipe it clean.
3. Insert and remove the dipstick without screwing it into the filler neck. Check the oil level shown on the dipstick.
4. If the oil level is low (Figure 5), fill to the edge of the oil filler hole with the recommended oil type (Table 4).

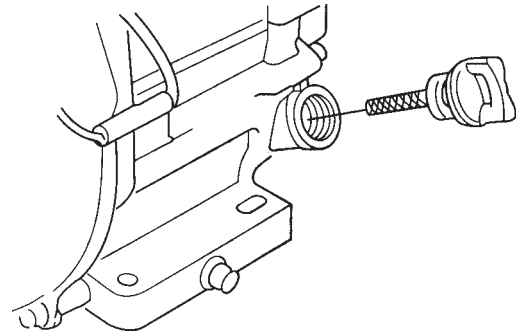


Figure 4. Engine Oil Dipstick Removal

Maximum oil capacity is 1.2 quarts (1.10 liters).

Checking the Hydraulic Oil Level

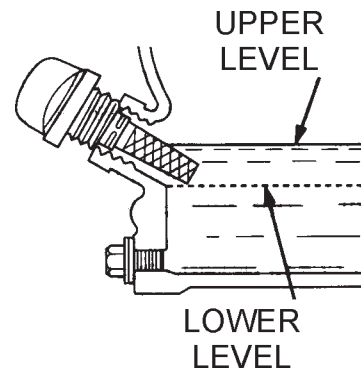


Figure 5. Engine Oil Level

Table 4. Oil Type

| Season | Temperature | Oil Type |
|-------------|----------------|---------------|
| Summer | 25°C or Higher | SAE 10W-30 |
| Spring/Fall | 25°C~10°C | SAE 10W-30/20 |
| Winter | 0°C or Lower | SAE 10W-10 |

1. To check the engine oil level, place the compactor on secure level ground with the engine stopped.
2. Remove the hydraulic oil breather cap located at the top of the hydraulic oil tank (Figure 6).
3. Using a 24 mm wrench, remove the hydraulic oil filler plug.

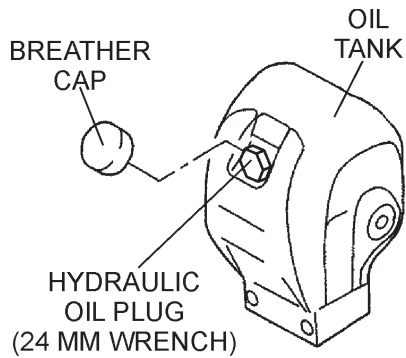


Figure 6. Hydraulic Oil Filler Plug Removal

4. Visually inspect to determine if hydraulic oil level is low. If oil level is low add Shell Tellus 46 hydraulic oil or equivalent through the hand pump oil filler port.

CAUTION — Oil Leaks

DO NOT overfill hydraulic oil tank. This could cause oil leaks and sluggish operation. Clean cap and surrounding area before opening to prevent dirt from entering oil tank.

5. When adding hydraulic oil, only fill to the specified oil level as marked on the front of the hydraulic oil tank (Figure 7). **DO NOT** overfill.



Figure 7. Oil Tank (Front View)

Checking the Air Cleaner

1. Loosen the wing nut and remove the air cleaner cover as shown in Figure 8.
2. Remove the paper filter element and inspect it for signs of wear or dirt. If paper filter element is dirty, clean or replace element.

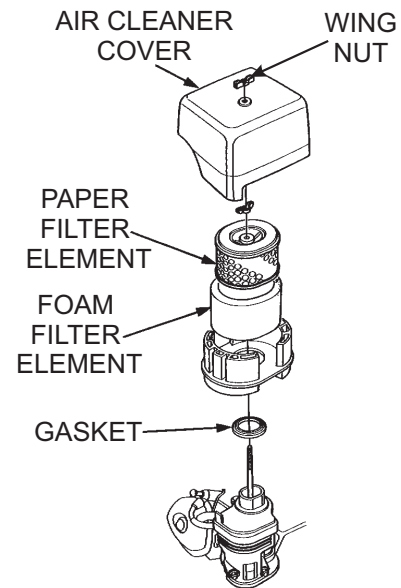


Figure 8. Air Cleaner Element

Checking The Fuel

1. Remove the fuel cap located on top of fuel tank.
2. Visually inspect to see if fuel level is low. If fuel is low, replenish with unleaded gasoline. (Figure 9).
3. When refueling, be sure to use a strainer for filtration. **DO NOT** top-off fuel. Wipe up any spilled fuel.

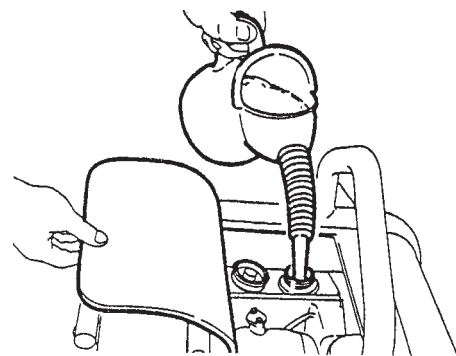


Figure 9. Refueling

DANGER — Fuel Hazard



Adding fuel to the tank should be done only when the engine is stopped and has had an opportunity to cool down. In the event of a fuel spill, **DO NOT** attempt to start the engine until the fuel residue has been completely wiped up and the area surrounding the engine is dry.

RELEASING THE HANDLE

1. Pull the handle release pin, (Figure 10) then push down on the hand grip to release the handle.

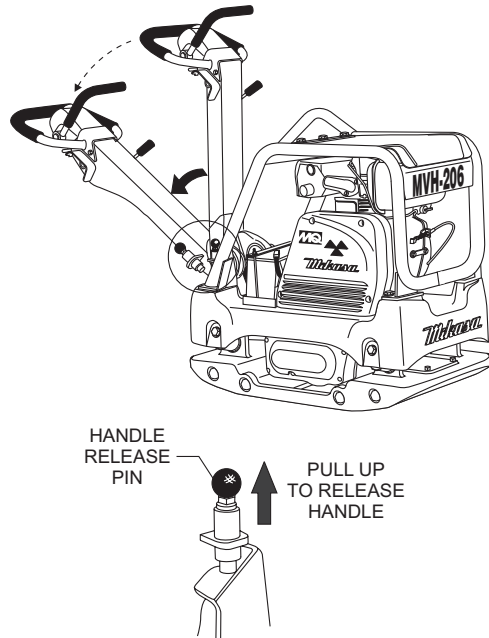


Figure 10. Handle Release Pin

ADJUSTING HANDLE HEIGHT

The height of the handle is adjustable for your comfort.

1. Loosen the butterfly screw (Figure 11).

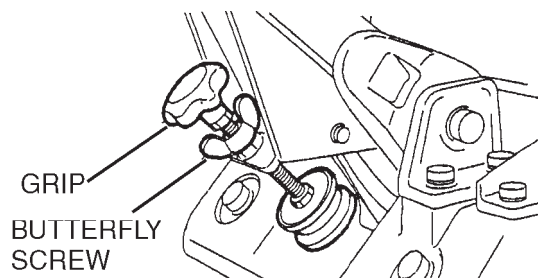


Figure 11. Handle Adjustment

2. Turn the grip clockwise to raise the handle or counterclockwise to lower the handle.
3. When the handle is raised to the desired height, tighten the butterfly screw.

STARTING THE ENGINE

1. Place the engine *fuel valve lever* (Figure 12) to the "ON" position.

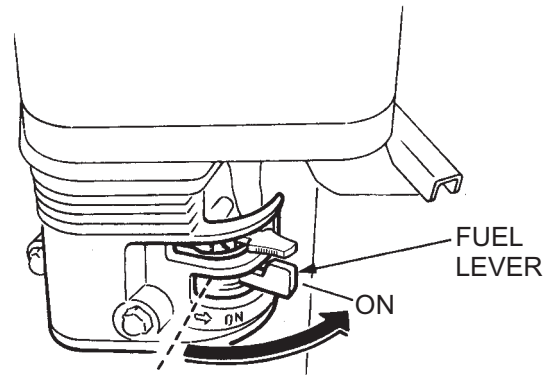


Figure 12. Engine Fuel Valve Lever (ON)

2. Move the throttle lever to the **START** position (Figure 13).

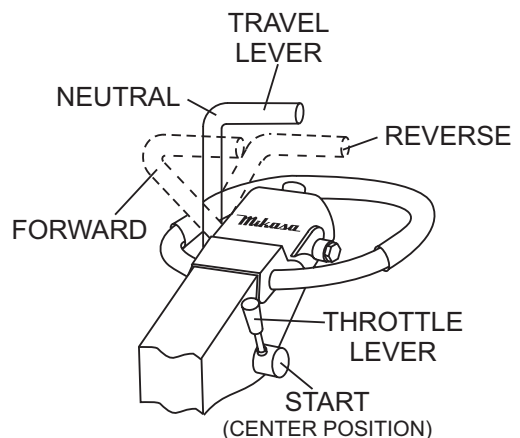


Figure 13. Throttle Lever (START)

OPERATION

- Place the **choke lever** (Figure 14) in the "**OPEN**" position if starting a **cold** engine.

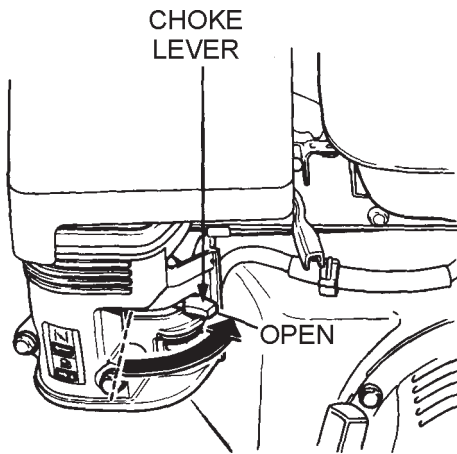


Figure 14. Engine Choke Lever (Open)

- Place the **choke lever** (Figure 15) in the "**CLOSED**" position if starting a **warm engine** or the **temperature is warm**.

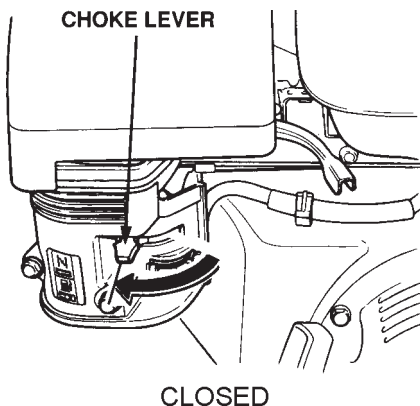


Figure 15. Engine Choke Lever (Closed)

- Place the **engine ON/OFF switch** (Figure 16) in the "**ON**" position.

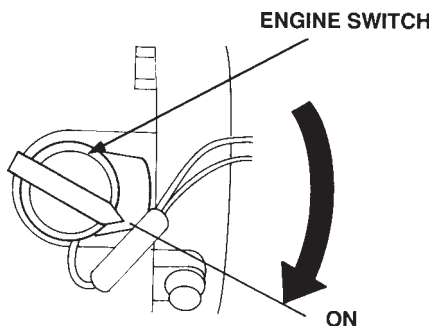


Figure 16. Engine ON/OFF Switch (ON)

- Grasp the **starter grip** (Figure 17) and slowly pull it out. The resistance becomes the hardest at a certain position, corresponding to the compression point. Pull the starter grip briskly and smoothly for starting.

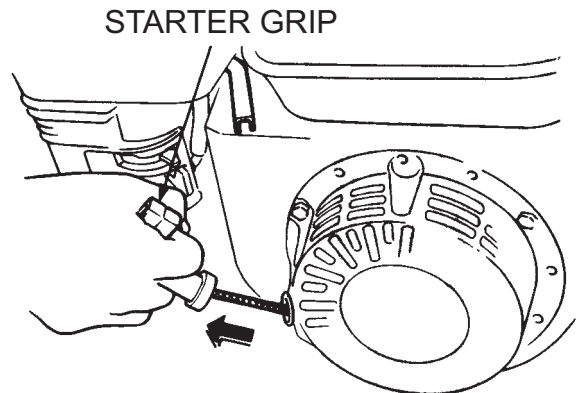


Figure 17. Starter Grip

- If the engine has started, slowly return the choke lever (Figure 15) to the **CLOSED** position. If the engine has not started repeat steps 1 through 6.
- Before the compactor is placed into operation, run the engine for several minutes. Check for fuel leaks, and noises that would be associated with a loose component.

TRAVELING

- Grasp the compactor's **hand grip** (Figure 18), and move the engine throttle lever quickly to the **fast** position.

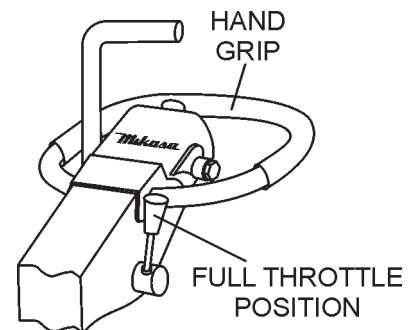


Figure 18. Throttle Lever (FAST)

- With the throttle lever in the fast position, the engine speed should be around 3,600 RPM, therefore engaging the centrifugal clutch.



ALWAYS move the throttle lever quickly without hesitation, because increasing the engine speed slowly causes the clutch to slip.

3. To make the compactor move in the forward direction push the travel lever (Figure 19) forward.

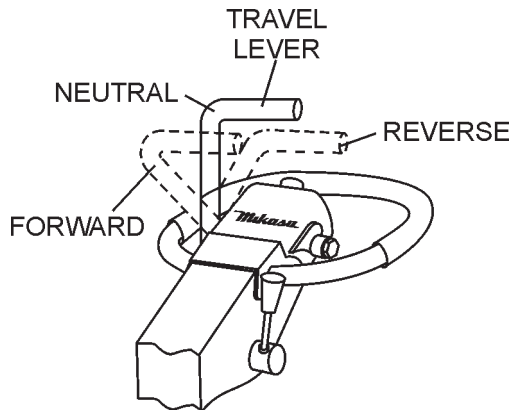


Figure 19. Travel Lever

4. To make the compactor move in the reverse direction pull the travel lever (Figure 19) backwards.
5. Firmly grasp the compactor's hand grip, the compactor will begin moving in the desired position when the direction lever has been placed in the desired position.
6. Slowly walk behind the compactor and be on the lookout for any large objects or foreign matter that might cause damage to the compactor or bodily injury.
7. If travel lever is placed in the neutral position, the machine will vibrate in place.
8. To move the compactor laterally, hold the hand grip firmly and swing compactor. **DO NOT** swing compactor while gripping the travel lever.

NORMAL SHUTDOWN

1. Return the throttle lever to the **START** position (Figure 13). Allow the machine to cool down for 2 to 3 minutes.
2. Place the travel lever in the **NEUTRAL** position.
3. Place the throttle lever in the **STOP** position (Figure 20) to stop the engine.

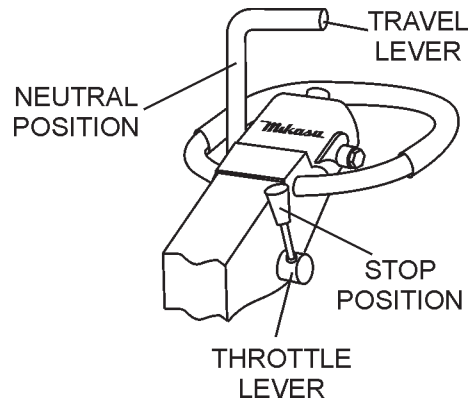


Figure 20. Travel Lever (STOP)

4. Turn the engine ON/OFF switch to the "OFF" position (Figure 21).

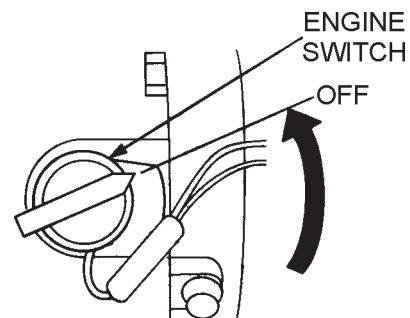


Figure 21. Engine ON/OFF Switch (OFF)

5. Place the **fuel shut-off lever** (Figure 22) in the **OFF** position.

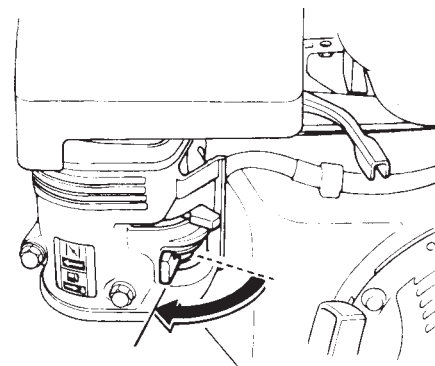


Figure 22. Fuel Valve Lever (OFF)

EMERGENCY SHUTDOWN

1. For a recoil start type engine, move the throttle lever quickly to the **STOP** position.

STOWING THE HANDLE

1. Push up the handle upward (Figure 23) until the handle locks in place.

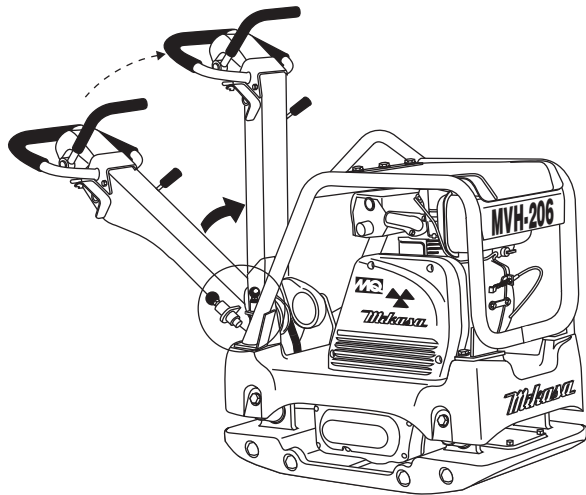


Figure 23. Stowing the Handle

CAUTION — Inspection Requirements

Inspection and other services should **always** be carried out on hard and level ground with the engine shutdown.

INSPECTION

To make sure your compactor is always in good working condition, perform maintenance inspection in accordance with Tables 5 through 7 before use.

Table 5. MVH-206GH Inspection

| ITEM | HOURS OF OPERATION |
|-------------------------------------|---|
| Loose or Missing Screws | Every 8 hours (every day) |
| Damaged Parts | Every 8 hours (every day) |
| Function of Controlling System Part | Every 8 hours (every day) |
| Hydraulic System Leak | Every 100 hours |
| Vibrator Oil Check | Every 100 hours |
| Vibrator Oil Replacement | Every 300 hours |
| Hydraulic Oil Check | Every 100 hours |
| Hydraulic Oil Replacement | First after 200 hours, then every 1,000 hours |
| V-belt (clutch) Check | Every 200 hours |
| Battery Check | Every 100 hours |

CAUTION — Inspection Intervals

These inspection intervals are for operation under normal conditions. Adjust your inspection intervals based on the number hours plate compactor is in use, and particular working conditions.

CAUTION — Fuel Piping Replacement

Fuel piping and connections should be replaced every 2 years.

Table 6. MVH-206GH Engine Check

| Item | Hours of Operation |
|---|---|
| RPM Check | Every 40 hours (every week) |
| Spark Plug Check | Every 40 hours (every week) |
| Oil or Fuel Leak | Every 8 hours (every day) |
| Tightness of Fastening Threads | Every 8 hours (every day) |
| Engine Oil Check and Replenishment | Every 8 hours (every day) (Replenish to specified maximum level) |
| Engine Oil Replacement | After first 25 hours then every 50 to 100 hours |
| Air Filter Cleaning | Every 100 hours |
| Engine Valve Adjustment | After first 50 hours then once a year and when required by poor performance thereafter. |
| See separate engine manual for details on engine check. | |

DAILY SERVICE

- Check for leakage of fuel or oil.
- Check for loose screws including tightness. See Table 7 for retightening.

Table 7. Tightening Torque (kg cm)

| Material | Diameter | | | | | | | |
|---|----------|-------------|--------------|-------|-------|-------|-------|-------|
| | 6mm | 8mm | 10mm | 12mm | 14mm | 16mm | 18mm | 20mm |
| 4T | 70 | 150 | 300 | 500 | 750 | 1,100 | 1,400 | 2,000 |
| 6-8T | 100 | 250 | 500 | 800 | 1,300 | 2,000 | 2,700 | 3,800 |
| 11T | 150 | 400 | 800 | 1,200 | 2,000 | 2,900 | 4,200 | 5,600 |
| * | 100 | 300~ 350 | 650 ~ 700 | | | | | |
| * (In case counterpart is of aluminum) (Threads in use with this machine are all right-handed) Material and quality of material is marked on each bolt and screw. | | | | | | | | |

- Remove soil and clean the bottom of compaction plate.
- Check hand pump, piping and hose for any leakage. A loosened hydraulic hose can be a cause for leakage. Check hydraulic hose connections with wrench applied for tightness.
- Check engine oil.

SPARK PLUG

1. Remove and clean the spark plug (Figure 24).
2. Adjust the spark gap to 0.028 ~0.031 inch (0.6~0.7 mm). This unit has electronic ignition, which requires no adjustments.

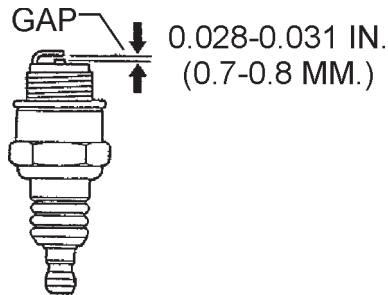


Figure 24. Spark Plug Gap

ENGINE OIL REPLACEMENT

1. Replace engine oil, first in 25 hours of operation and every 50 to 100 hours afterwards.
2. Drain the engine oil when the oil is *warm* as shown in Figure 25.

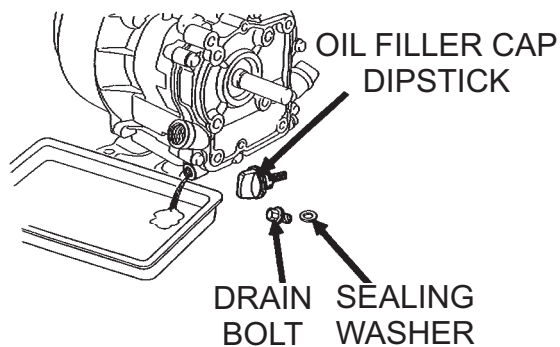


Figure 25. Engine Oil (Draining)

3. Remove the oil drain bolt and sealing washer and allow the oil to drain into a suitable container.
4. Replace engine oil with recommended type oil as listed in Table 4. Engine oil capacity is 1.16 quarts (1.1 liters). **DO NOT** overfill.
5. Install drain bolt with sealing washer and tighten securely.

AIR CLEANER

1. Remove the air cleaner cover and foam filter element as shown in Figure 26.

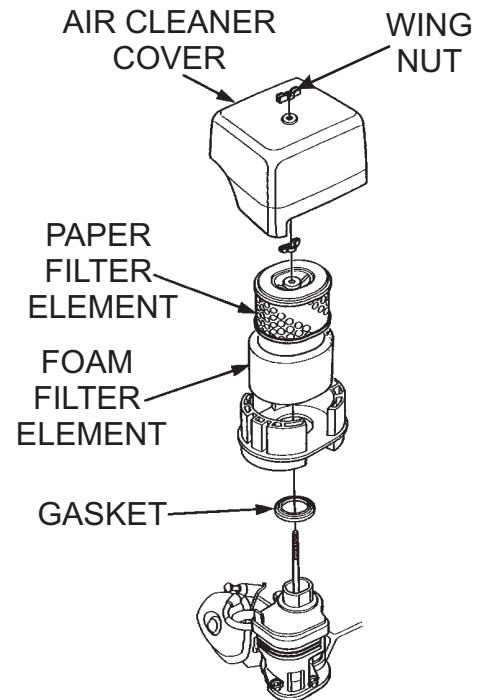


Figure 26. Engine Air Cleaner

2. Tap the paper filter element (Figure 26) several times on a hard surface to remove dirt, or blow compressed air [not exceeding 30 psi (207 kPa, 2.1 kgf/cm²)] through the filter element from the air cleaner case side. **NEVER** brush off dirt. Brushing will force dirt into the fibers. Replace the paper filter element if it is excessively dirty.
3. Clean foam element in warm, soapy water or nonflammable solvent. Rinse and dry thoroughly. Dip the element in clean engine oil and completely squeeze out the excess oil from the element before installing.

CAUTION — V-Belt Hazard

NEVER attempt to check the V-belt with the engine running. Severe injury can occur if your hand gets caught between the belt and clutch (Figure 27). Always wear safety gloves.

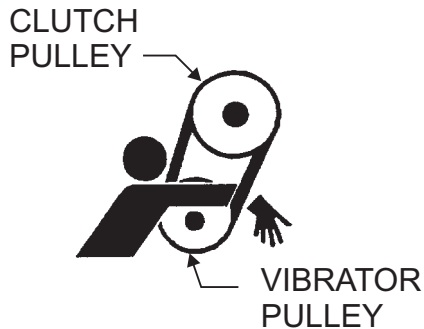


Figure 27. V-Belt Hazard

CHECKING AND REPLACING THE V-BELT AND CLUTCH

After 200 hours of operation, remove the belt cover to check the V-belt tension (Figure 28). Tension is proper if the belt bends about 3/8" (10 mm) when depressed strongly with finger between shafts. Loose or worn V-belts reduces power transmission efficiency, causing weak compaction and reduces the life of the belt itself.

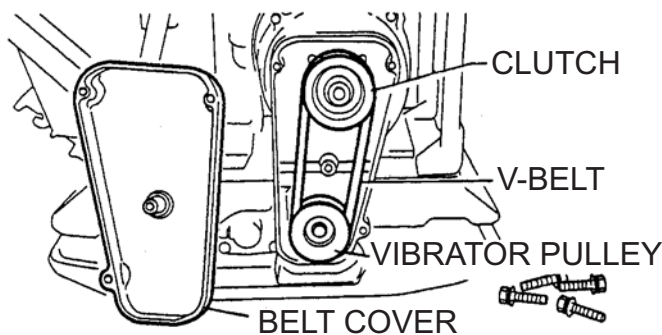


Figure 28. V-Belt Check

Replacing the V-belt

Remove the belt cover. Engage an offset wrench 3/4" (19 mm) or the like to vibrator pulley (lower) fastening bolt. Engage waste cloth or the like at midway of V-belt on the left side and while pulling it back strongly, rotate the offset wrench clockwise so that the V-belt will come off.

Reinstalling the V-belt

Engage V-belt to lower vibrator pulley and push the V-belt to left side of upper clutch and, in the same manner as in removal, rotate offset wrench clockwise so that the V-belt goes back on.

Checking Clutch

Check the clutch simultaneously with V-belt checking. With belt cover removed, check outer drum of the clutch for seizure and "V" groove for wear or damage with your eyes. Clean the "V" groove as necessary. Wear of lining or shoe should be checked with running check. If the shoe is worn, power transmission becomes deficient and slipping will result.

Replacing Clutch

Remove V-belt. Remove bolt at engine power output by giving a shock to an engaged wrench (tapping with hammer or the like) and rotating bolt counterclockwise. Remove clutch with a pulley extractor. To reinstall, reverse the procedure.

CAUTION — Weak Vibration

Whenever the compactor's vibration becomes weak or lost during normal operation regardless of operation hours, check the V-belt and clutch immediately.

VIBRATOR OIL LEVEL CHECK

CAUTION — Dirt and Debris

Always clean the area around the vibrator oil level check plug before removing oil check plug. This will prevent dirt and debris from entering the system.

In every 100 hours of operation, with the machine positioned horizontally, use a 14 mm wrench and remove vibrator oil level check plug (Figure 24). Measure oil level with gauge. Vibrating oil capacity is 0.63 quart (0.6 liters). Be sure to clean area around check hole to prevent dirt and dust from entering.

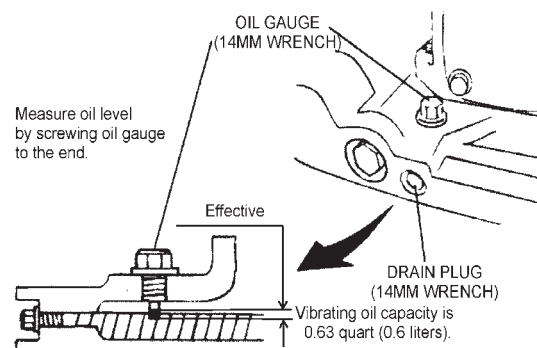


Figure 29. Vibrator Oil Drain and Check Plugs

DRAINING VIBRATOR OIL

1. Replace vibrator oil after first 200 hours and in every 1,000 hours of operation.
2. Position handle bar vertically (storage position).
3. Using a 14 mm wrench remove the vibrator oil drain plug (Figure 29) from the vibrating plate assembly.



For draining oil through level check hole, have the machine inclined with a sleeper or the like placed under the compaction plate on opposite side.

4. After vibrator oil has been completely drained from machine, fill with 10W-30 motor oil to the appropriate safe operating level (Figure 29).
5. Reinstall drain plug into vibrating plate assembly. Apply seal tape or Loctite #575 to thread portion of drain plug.

DRAINING HYDRAULIC OIL

1. Disconnect the hydraulic hose connected to the hydraulic oil cylinder (Figure 30).

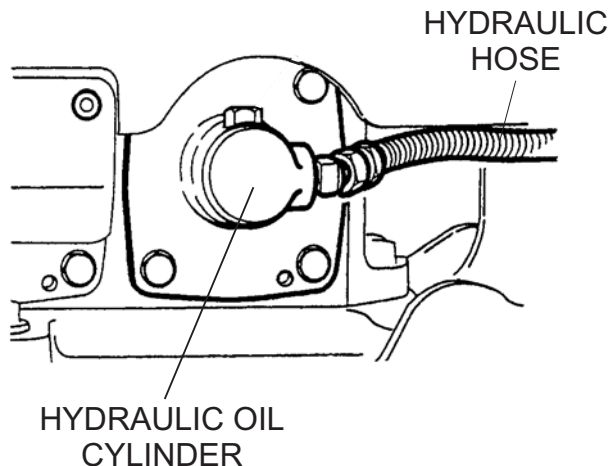


Figure 30. Hydraulic Oil Cylinder

2. Push the travel lever back and forth to drain the hydraulic oil from the hand pump (hydraulic oil reservoir).
3. After draining hydraulic oil, reconnect hydraulic oil hose to cylinder.

4. Place handle in upright position. Pull travel lever all the way back (reverse), and using a rope, secure travel lever to hand grip.

ADDING HYDRAULIC OIL

1. Remove the breather cap and oil plug (Figure 31) from the hydraulic oil tank using a 24mm hex socket.

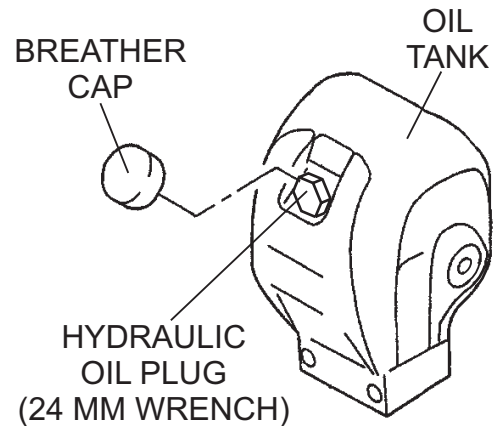


Figure 31. Hydraulic Oil Tank

2. Using a funnel, add **Shell Tellus Oil #46** or equivalent to the hydraulic oil tank through the oil filler port (Figure 32). Oil tank capacity is 50.7 fl. oz (1500 cc)

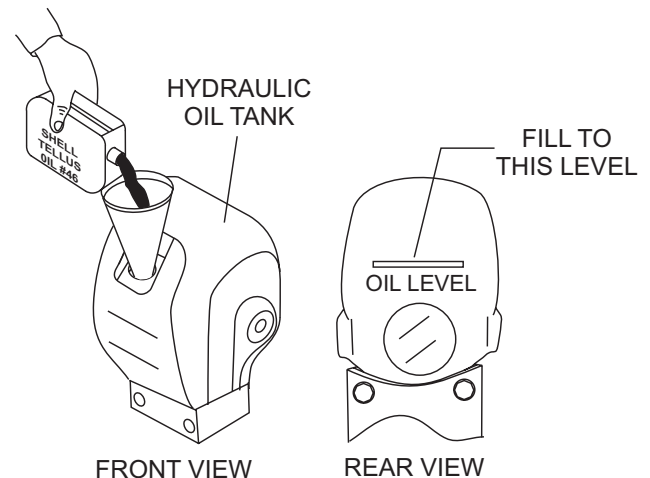


Figure 32. Hydraulic Oil Maintenance

CAUTION — Hydraulic Oil Overfill

Make sure hydraulic oil is at a normal safe operating level. **DO NOT** overfill. Overfilling (excessive oil) will cause excess oil to blow out of breather plug.

3. Loosen bleeder plug located at top of hydraulic cylinder on side of vibrator (Figure 33). Air remaining in the circuit will be forced out of the bleeder plug. Once all air has been purged from the hydraulic system, tighten bleeder plug securely

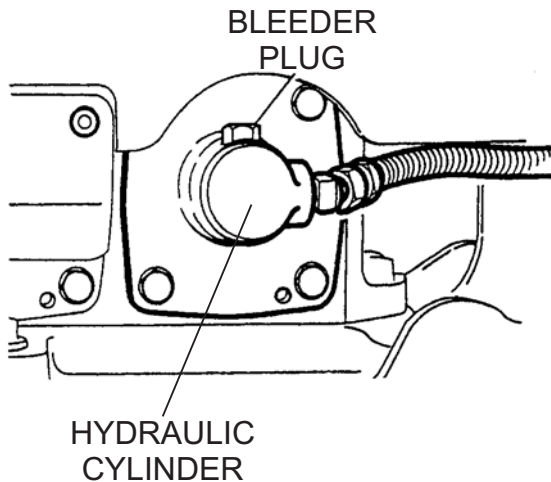


Figure 33. Bleeder Plug

4. Reinsert oil plug into hydraulic oil tank and tighten securely. Reinstall breather cap.

LONG TERM STORAGE

When storing your compactor for long periods do the following:

1. Run the engine at idle speed for 3-5 minutes.
2. Stop the engine. Drain the engine crankcase oil while the engine is still warm. Fill engine crankcase with fresh oil.
3. Wipe any oil or dirt that may have accumulated on the compactor.
4. Store compactor in a cool dry place out of reach of children and unauthorized personnel.

TROUBLESHOOTING

Practically all breakdowns can be prevented by proper handling and maintenance inspections, but in the event of a breakdown, please take remedial action based on the troubleshooting information shown. If the problem cannot be remedied, please leave the unit as is and consult Multiquip's business office or service plant.

| Table 8. Engine Troubleshooting | | |
|---|---|--|
| Symptom | Possible Cause | Solution |
| Difficult to start, "fuel is available, but no SPARK at spark plug". | Spark plug bridging? | Check gap, insulation or replace spark plug. |
| | Carbon deposit on spark plug? | Clean or replace spark plug. |
| | Short circuit due to deficient spark plug insulation? | Check spark plug insulation, replace if worn. |
| | Improper spark plug gap? | Set to proper gap. |
| Difficult to start, "fuel is available, and SPARK is present at the spark plug". | ON/OFF switch is shorted? | Check switch wiring, replace switch. |
| | Ignition coil defective? | Replace ignition coil. |
| | Improper spark gap, points dirty? | Set correct spark gap and clean points. |
| | Condenser insulation worn or short circuiting? | Replace condenser. |
| | Spark plug wire broken or short circuiting? | Replace defective spark plug wiring. |
| Difficult to start, "fuel is available, spark is present and compression is normal" | Wrong fuel type? | Flush fuel system, and replace with correct type of fuel. |
| | Water or dust in fuel system? | Flush fuel system. |
| | Air cleaner dirty? | Clean or replace air cleaner. |
| Difficult to start, "fuel is available, spark is present and compression is low" | Suction/exhaust valve stuck or protruded? | Re-seat valves. |
| | Piston ring and/or cylinder worn? | Replace piston rings and or piston. |
| | Cylinder head and/or spark plug not tightened properly? | Torque cylinder head bolts and spark plug. |
| | Head gasket and/or spark plug gasket damaged? | Replace head and spark plug gaskets. |
| No fuel present at carburetor. | Fuel not available in fuel tank? | Fill with correct type of fuel. |
| | Fuel cock does not open properly? | Apply lubricant to loosen fuel cock lever, replace if necessary. |
| | Fuel filter clogged? | Replace fuel filter. |
| | Fuel tank cap breather hole clogged? | Clean or replace fuel tank cap. |
| | Air in fuel line? | Bleed fuel line. |

TROUBLESHOOTING

Table 8. Engine Troubleshooting (continued)

| Symptom | Possible Cause | Solution |
|---|--|---|
| "Weak in power" compression is proper and does not misfire. | Air cleaner not clean? | Clean or replace air cleaner |
| | Improper level in carburetor? | Check float adjustment, rebuild carburetor. |
| | Defective Spark plug? | Clean or replace spark plug. |
| "Weak in power" compression is proper but misfires. | Water in fuel system? | Flush fuel system, and replace with correct type of fuel. |
| | Dirty spark plug? | Clean or replace spark plug. |
| | Ignition coil defective? | Replace ignition coil. |
| Engine overheats. | Spark plug heat value improper? | Replace with correct type of spark plug. |
| | Correct type of fuel? | Replace with correct type of fuel |
| | Cooling fins dirty? | Clean cooling fins. |
| Rotational speed fluctuates. | Governor adjusted correctly? | Adjust governor. |
| | Governor spring defective? | Replace governor spring. |
| | Fuel flow restricted? | Check entire fuel system for leaks or clogs. |
| Recoil starter malfunction. | Recoil mechanism clogged with dust and dirt? | Clean recoil assembly with soap and water. |
| | Spiral spring loose? | Replace spiral spring. |

TROUBLESHOOTING

Table 9. Compactor Troubleshooting

| Symptom | Possible Cause | Solution |
|---|--|---|
| Travel speed low and vibration weak. | Clutch slips? | Adjust or replace clutch. |
| | V-belt slips? | Adjust or replace V-belt. |
| | Excessive Oil in vibrator? | Fill to correct level.. |
| | Trouble in vibrator internals? | Check vibrator assembly for any worn or defective parts, replace any defective parts. |
| | Aeration in hydraulic oil for for travel reversing syste.? | Purge air in hydraulic oil. (Bleed plug) |
| | Engine speed incorrect? | Set engine speed to correct RPM. |
| Travels forward or backward but unable to switch direction. | Travel reversing system inoperative.? | Check entire travel system. |
| | Reversing lever installation correct? | Clean installation of reversing lever. |
| | Broken or defective oil hose? | Replace oil hose. |
| | Aeration in hydraulic oil for for travel reversing syste.? | Purge air in hydraulic oil. (Bleed plug) |
| | Excessive oil in reversing system? | Fill to correct level.. |
| | Selector valve clogged with trash? | Clean selector valve. |
| | Cylinder piston bearing failure? | Check piston bearing in cylinder for leakage at USH packing. |
| Does not travel in forward or reverse. | V-belt dis-engaged or slips? | Engage V-belt, adjust or replace. |
| | Clutch slips? | Adjust clutch, replace if necessary. |
| | Pump input shat key or adapter key-way damaged? | Replace input shatkey or adapter key-way |
| | Cylinder piston bearing failure? | Check piston bearing in cylinder for leakage at USH packing. |
| Reversing lever operating resistance great. | Excessive hydraulic oil? | Fill to correct level. |

EXPLANATION OF CODE IN REMARKS COLUMN

The following section explains the different symbols and remarks used in the Parts section of this manual. Use the help numbers found on the back page of the manual if there are any questions.

The contents and part numbers listed in the parts section are subject to change **without notice**. Multiquip does not guarantee the availability of the parts listed.

Sample Parts List:

| <u>NO.</u> | <u>PART NO.</u> | <u>PART NAME</u> | <u>QTY.</u> | <u>REMARKS</u> |
|------------|-----------------|----------------------|-------------|---------------------|
| 1 | 12345 | BOLT | 1 | INCLUDES ITEMS W/* |
| 2* | | WASHER, 1/4 IN. | | NOT SOLD SEPARATELY |
| 2* | 12347 | WASHER, 3/8 IN. ... | 1 | MQ-45T ONLY |
| 3 | 12348 | HOSE | A/R | MAKE LOCALLY |
| 4 | 12349 | BEARING | 1 | S/N 2345B AND ABOVE |

NO. Column

Unique Symbols - All items with same unique symbol (*, #, +, %, or >) in the number column belong to the same assembly or kit, which is indicated by a note in the "Remarks" column.

Duplicate Item Numbers - Duplicate numbers indicate multiple part numbers are in effect for the same general item, such as different size saw blade guards in use or a part that has been updated on newer versions of the same machine.



When ordering a part that has more than one item number listed, check the remarks column for help in determining the proper part to order.

PART NO. Column

Numbers Used - Part numbers can be indicated by a number, a blank entry, or TBD.

TBD (To Be Determined) is generally used to show a part that has not been assigned a formal part number at time of

QTY. Column

Numbers Used - Item quantity can be indicated by a number, a blank entry, or A/R.

A/R (As Required) is generally used for hoses or other parts that are sold in bulk and cut to length.

A blank entry generally indicates that the item is not sold separately. Other entries will be clarified in the "Remarks" Column.

REMARKS Column

Some of the most common notes found in the "Remarks" Column are listed below. Other additional notes needed to describe the item can also be shown.

Assembly/Kit - All items on the parts list with the same unique symbol will be included when this item is purchased.

Indicated by:

"INCLUDES ITEMS W/(unique symbol)"

Serial Number Break - Used to list an effective serial number range where a particular part is used.

Indicated by:

"S/N XXXXX AND BELOW"

"S/N XXXX AND ABOVE"

"S/N XXXX TO S/N XXX"

Specific Model Number Use - Indicates that the part is used only with the specific model number or model number variant listed. It can also be used to show a part is NOT used on a specific model or model number variant.

Indicated by:

"XXXXX ONLY"

"NOT USED ON XXXX"

"Make/Obtain Locally" - Indicates that the part can be purchased at any hardware shop or made out of available items. Examples include battery cables, shims, and certain washers and nuts.

"Not Sold Separately" - Indicates that an item cannot be purchased as a separate item and is either part of an assembly/kit that can be purchased, or is not available for

SUGGESTED SPARE PARTS

MVH206GH W/ HONDA GX240U1SMX2 ENGINE

1 TO 3 Units

| <u>QTY.</u> | <u>PART NO.</u> | <u>DESCRIPTION</u> |
|-------------|--------------------|--|
| 1 | 956100064 | THROTTLE WIRE |
| 2 | 070200353 | V-BELT |
| 3 | 9807956846 | SPARK PLUG |
| 3 | 17210ZE2822 | ELEMENT, AIR CLEANER (DUAL) |
| 1 | 17620Z0T305 | CAP, FUEL TANK S/N 1201674 AND BELOW |
| 1 | 117620Z4H010 | CAP, FUEL TANK S/N 1201675 ~ 1206823 |
| 1 | 17620Z4H020 | CAP, FUEL TANK S/N 1206824 AND ABOVE |
| 1 | 28462ZE2W11 | ROPE, RECOIL |

NAMEPLATE AND DECALS

10

| | |
|---|---|
| DANGER FUEL Fire risk | DANGER EXHAUST Operate only in well-ventilated area |
| DANGER LIFTING Do not stand next to machine while lifting | DANGER LIFTING Do not use machine handle |
| WARNING NOISE Wear ear protection | WARNING HOT TEMP. Avoid contact with the muffler and cylinder |
| CAUTION MOVING PARTS Do not touch moving parts in operation | CAUTION READ Read operator's manual carefully before use |

OPERATIONAL CAUTION

- Prior to OPERATION, check engine oil and fuel levels. If not enough, add to proper levels.
- Warm up engine at low speed for 3 to 5 minutes.
- Operate machine at full (throttle) speed. (incorrect clutch engagement causes clutch to burn.)
- Use travel lever for forward & reverse motion. Do not push or pull travel lever strongly.

NPA-1317

12

OPERATIONAL CAUTION
Do not move travel lever if engine stops

NPA-1106

15

NPA-1169

3
Shell Tellus Oil 32

13

Operate Unit At Full Throttle

NPA-458

60

3100 ~ 3300 RPM

NPA-582

16

LWA
107 dB

20

Mikasa

Serial No.

Model No.

MULTIQUIP

1

SAE 10W-30 MOTOR OIL

NPA-195

25

V BELT HDPF-5350

21



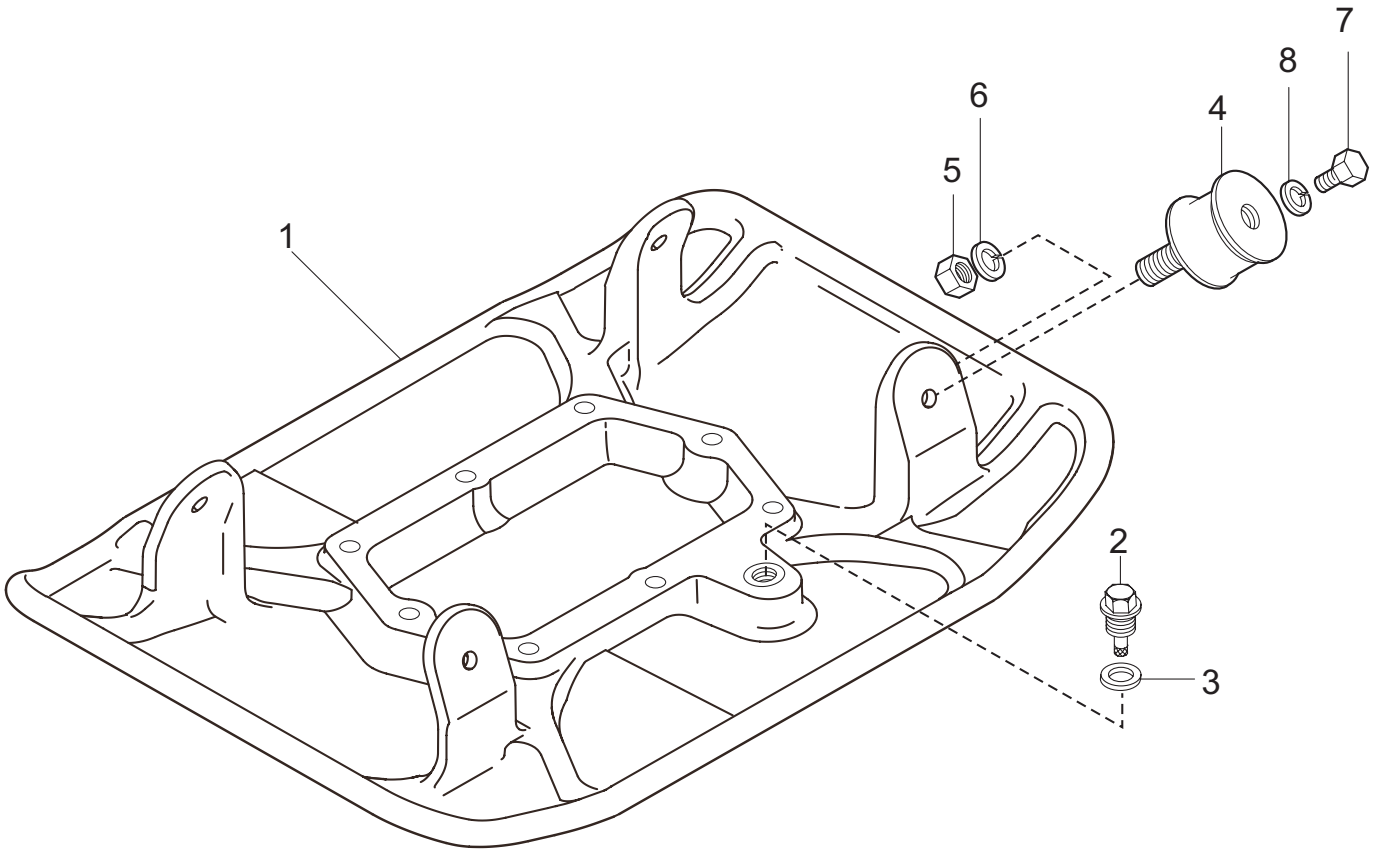
14

DCL 333

NAMEPLATE AND DECALS

| <u>NO.</u> | <u>PART NO.</u> | <u>PART NAME</u> | <u>QTY.</u> | <u>REMARKS</u> |
|------------|-----------------|-----------------------------------|-------------|------------------------|
| 1 | 920201950 | DECAL, OIL SAE 10W-30 | 1 | NPA-195 |
| 3 | 920211090 | DECAL, SHELL TELLUS OIL 32 | 1 | |
| 10 | 920213170 | DECAL, CAUTION | 1 | NPA-1317 |
| 12 | 920211060 | DECAL, CAUTION (LEVER) | 1 | NPA-1106 |
| 13 | 920204580 | DECAL, FULL THROTTLE | 1 | NPA-458 |
| 14 | 920203330 | EAR PROTECTION LABEL | 1 | DCL333 |
| 15 | 920211690 | DECAL, LEVER OPERATION | 1 | NPA-1169 |
| 16 | 920210310 | DECAL, EC NOISE REQ. LWA107 | 1 | NPA-1031 |
| 20 | | PLATE, SERIAL NO. | 1 | CONTACT MQ PARTS DEPT. |
| 21 | 920201580 | DECAL, MQ MARK 71X55 | 1 | |
| 25 | 920205040 | DECAL, V-BELT HDPF-5350 | 1 | |
| 60 | 920205820 | DECAL, ENGINE RPM 3100-3300 | 1 | NPA-582 |

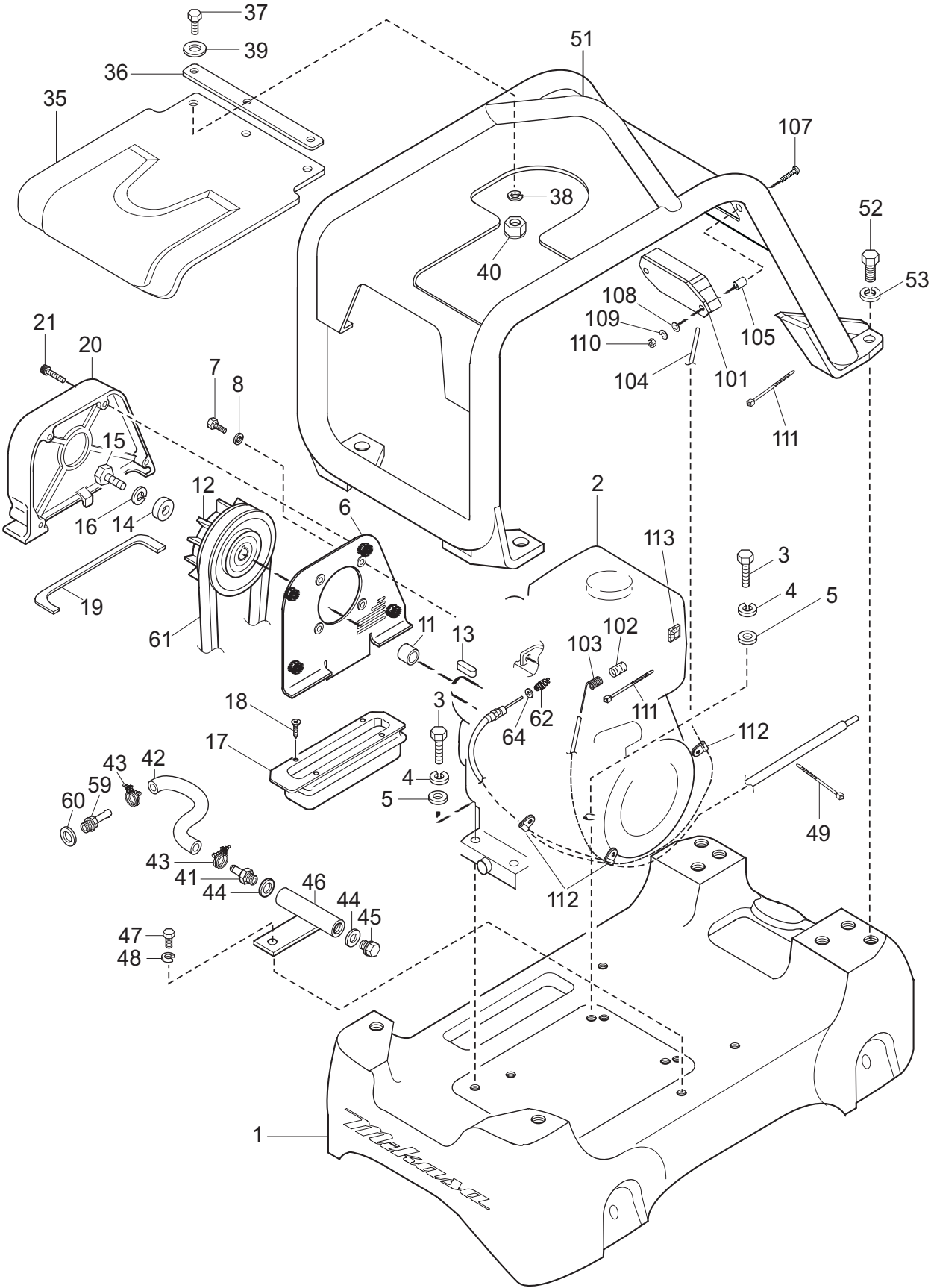
VIBRATING PLATE ASSY



VIBRATING PLATE ASSY

| <u>NO.</u> | <u>PART NO.</u> | <u>PART NAME</u> | <u>QTY.</u> | <u>REMARKS</u> |
|------------|-----------------|-----------------------|-------------|----------------|
| 1 | 466119710 | VIBRATING PLATE | 1 | |
| 2 | 460449160 | OIL GAUGE | 1 | |
| 3 | 953405260 | PACKING 1/4 (CU) | 1 | |
| 4 | 939010300 | SHOCK ABSORBER 75X50H | 4 | |
| 5 | 020312100 | NUT M12 | 4 | |
| 6 | 030212300 | WASHER, LOCK M12 | 4 | |
| 7 | 001221235 | BOLT 12X35 T | 4 | |
| 8 | 030212300 | WASHER, LOCK M12 | 4 | |

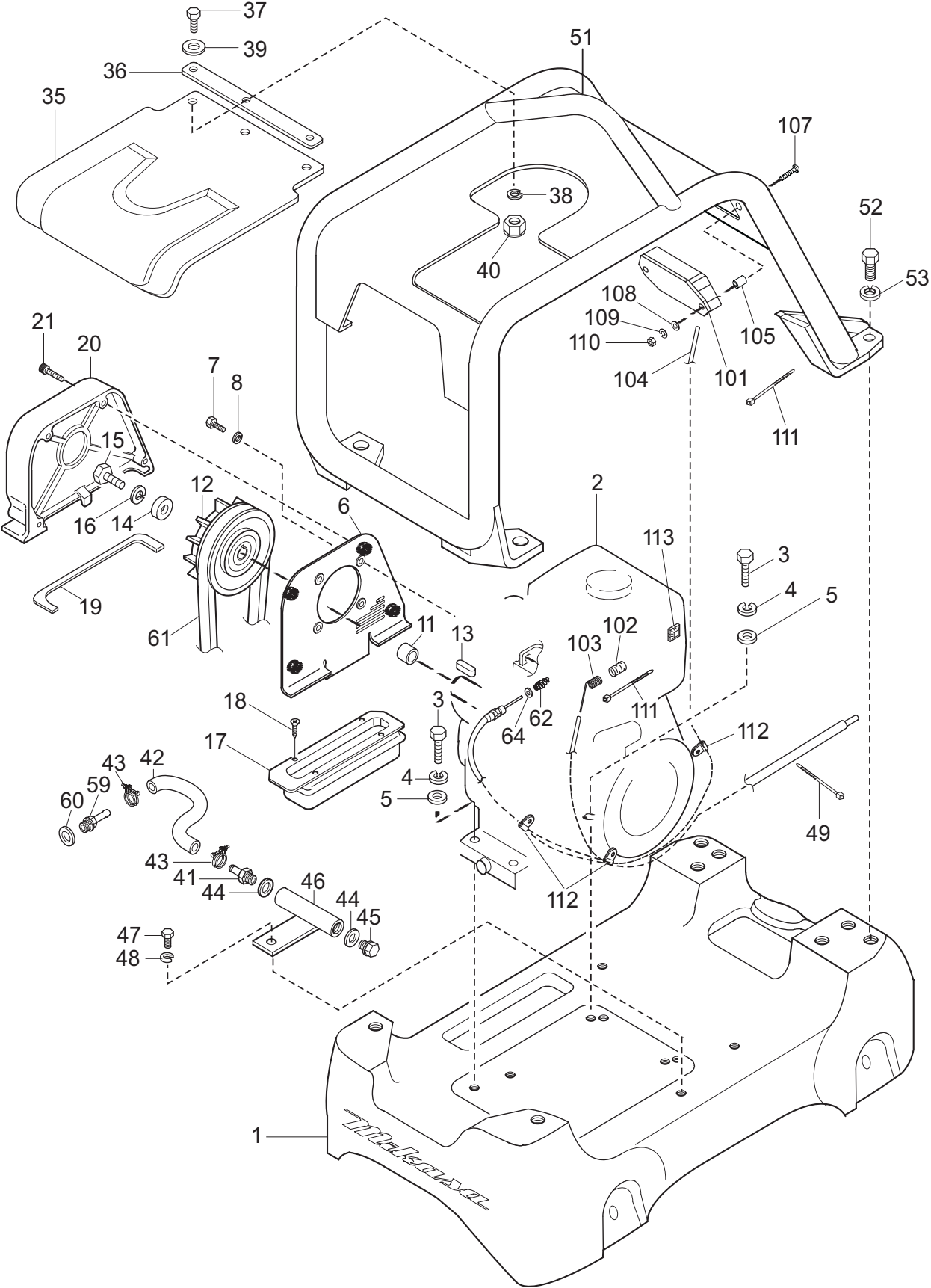
BASE AND ENGINE ASSY



BASE AND ENGINE ASSY

| <u>NO.</u> | <u>PART NO.</u> | <u>PART NAME</u> | <u>QTY.</u> | <u>REMARKS</u> |
|------------|-----------------|----------------------------|-------------|----------------|
| 1 | 466119780 | BASE | 1 | |
| 2 | 912224003 | ENGINE, GX240U1SMX2 | 1 | |
| 3 | 001221040 | BOLT 10X40 T | 4 | |
| 4 | 030210250 | WASHER, LOCK M10 | 4 | |
| 5 | 031110160 | WASHER, FLAT M10 | 4 | |
| 6 | 466347760 | BELT COVER | 1 | |
| 7 | 001121025 | BOLT 10X25 T P1.25 | 4 | |
| 8 | 030210250 | WASHER, LOCK M10 | 4 | |
| 11 | 466461470 | SPACER | 1 | |
| 12 | 466347700 | CLUTCH ASSY/CHM03/W.FAN | 1 | |
| 13 | 951400110 | KEY 7X7X35 | 1 | |
| 14 | 466461490 | WASHER, CLUTCH | 1 | |
| 15 | 001220830 | BOLT 8X30 T | 1 | |
| 16 | 030208200 | WASHER, LOCK M8 | 1 | |
| 17 | 466217910 | DUST-PROOF COVER | 1 | |
| 18 | 092006010 | FLAT HEAD SCREW 6X10 | 4 | |
| 19 | 466347740 | DUST-PROOF SPONGE (OUT) | 1 | |
| 20 | 466119740 | BELT COVER (OUT) | 1 | |
| 21 | 001521054 | SOCKET HEAD BOLT 10X70 T | 4 | |
| 35 | 466119720 | RUBBER COVER (GUARD FRAME) | 1 | |
| 36 | 466461500 | PLATE, COVER | 1 | |
| 37 | 001220830 | BOLT 8X30 T | 3 | |
| 38 | 030208200 | WASHER, LOCK M8 | 3 | |
| 39 | 031108160 | WASHER, FLAT M8 | 3 | |
| 40 | 022710809 | NYLON NUT M8 | 3 | |
| 41 | 2556390111 | UNION | 1 | |
| 42 | 2556380103 | DRAIN HOSE | 1 | |
| 43 | 0091720000 | HOSE CLAMP | 2 | |
| 44 | 0211140020 | GASKET | 2 | |
| 45 | 0401140030 | PLUG | 1 | |

BASE AND ENGINE ASSY



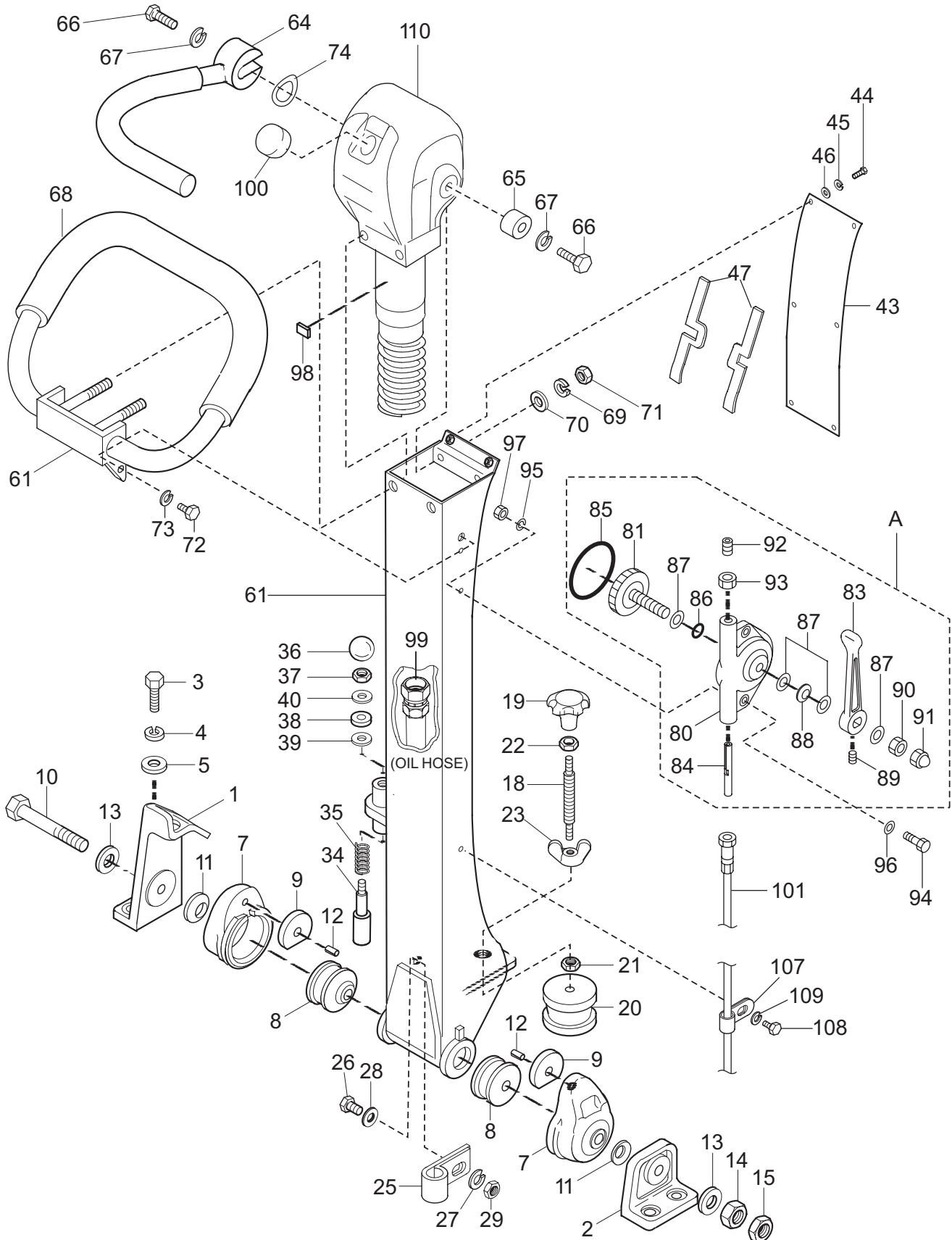
BASE AND ENGINE ASSY

| <u>NO.</u> | <u>PART NO.</u> | <u>PART NAME</u> | <u>QTY.</u> | <u>REMARKS</u> |
|------------|-----------------|----------------------------|-------------|----------------|
| 46 | 464457380 | DRAIN JOINT | 1 | |
| 47 | 001220820 | BOLT 8X20 T | 1 | |
| 48 | 030208200 | SW M8 | 1 | |
| 49 | 454010020 | CLAMP TC-100 | 1 | |
| 51 | 466119750 | GUARD HOOK | 1 | |
| 52 | 001221230 | BOLT 12X30 T | 4 | |
| 53 | 030212300 | WASHER, LOCK M12 | 4 | |
| 59 | 90131ZE3790 | DRAIN JOINT | 1 | |
| 60 | 9410912000 | WASHER, DRAIN PLUG M12 | 1 | |
| 61 | 070200353 | V-BELT B-35 GREEN /HDPF535 | 1 | |
| 62 | 0830000010 | COIL SPRING | 1 | |
| 64 | 031104080 | WASHER, FLAT M4 | 1 | |
| 101 | 980010330 | TACHO & HOUR METER | 1 | |
| 102 | 955010307 | CLIP BELT/TP-22 | 1 | |
| 103 | 980010430 | CURL CORD,1150L | 1 | |
| 104 | 959026828 | RUBBER TUBE | 1 | |
| 105 | 952407930 | COLLAR 6X10X13.5 | 2 | |
| 107 | 009110053 | PAN HEAD SCREW 5X30 | 2 | |
| 108 | 031105080 | WASHER, FLAT M5 | 2 | |
| 109 | 030205130 | WASHER, LOCK M5 | 2 | |
| 110 | 020305040 | NUT M5 | 2 | |
| 111 | 454010020 | CLAMP TC-100 | 5 | |
| 112 | 2067550101 | CLAMP COMPL | 3 | |
| 113 | 955407970 | WIRING FIXED BASE | 1 | |

VIBRATOR ASSY

| <u>NO.</u> | <u>PART NO.</u> | <u>PART NAME</u> | <u>QTY.</u> | <u>REMARKS</u> |
|------------|-----------------|--------------------------|-------------|---------------------|
| A | 466910010 | VIBRATOR ASSY | 1 | INCLUDES ITEMS W/ # |
| 1# | 466119760 | VIBRATING CASE | 1 | |
| 2# | 001221264 | BOLT 12X120 T | 6 | |
| 3# | 001221235 | BOLT 12X35 T | 2 | |
| 4# | 030212300 | WASHER, LOCK M12 | 8 | |
| 5# | 047920130 | ROLLER BEARING NJ209EMC4 | 4 | |
| 6# | 466347770 | ROTARY SHAFT, DRIVE | 1 | |
| 8# | 951405370 | KEY 15X10X39 RR | 1 | |
| 9# | 466347900 | GEAR, DRIVE | 1 | |
| 10# | 080200500 | STOP RING S-50 | 2 | |
| 11# | 060104020 | OIL SEAL SB-45689 | 1 | |
| 12# | 951402300 | KEY 10X8X27 | 1 | |
| 13# | 466347780 | ECCENTRIC ROTATOR | 4 | |
| 14# | 009120309 | SOCKET HEAD BOLT 12X40T | 2 | |
| 15# | 466347790 | ROTARY SHAFT, DRIVEN | 1 | |
| 16# | 009120308 | SOCKET HEAD BOLT 12X25T | 2 | |
| 17# | 466347860 | PISTON ROD | 1 | |
| 18# | 025510063 | KNOCK PIN 10X63 | 1 | |
| 19# | 466347800 | GEAR (DRIVEN) | 1 | |
| 20# | 040006910 | BEARING 6910 | 2 | |
| 21# | 953010040 | SEAL CAP/AC68-9 | 1 | |
| 25# | 042506000 | BEARING 6000ZZSG | 2 | |
| 26# | 080200100 | STOP RING S-10 | 1 | |
| 27# | 455435051 | PISTON, 22.4D | 1 | |
| 28# | 455010070 | PACKING USH-22.4X30X5 | 1 | |
| 29# | 080100260 | STOP RING R-26 | 1 | |
| 30# | 466347810 | BEARING COVER | 1 | |
| 31# | 466347820 | CYLINDER (L) | 1 | |
| 34# | 001220825 | BOLT 8X25 T | 8 | |
| 35# | 030208200 | WASHER, LOCK M8 | 8 | |
| 36# | 001220810 | BOLT 8X10 T | 1 | |
| 37# | 953404600 | COPPER PACKING 8X16X2 | 1 | |
| 38# | 455010020 | ELBOW 45° 15-0404 | 1 | |
| 39# | 031108160 | WASHER, FLAT M8 | 8 | |
| 46# | 466347830 | PULLEY | 1 | |
| 47# | 466461510 | WASHER | 1 | |
| 48# | 001221230 | BOLT 12X30 T | 1 | |
| 49# | 030212300 | WASHER, LOCK M12 | 1 | |
| 51 | 466217880 | BELT COVER (LOWER) | 1 | |
| 52 | 001520855 | SOCKET HEAD BOLT 8X75 T | 5 | |

CONTROL ASSY



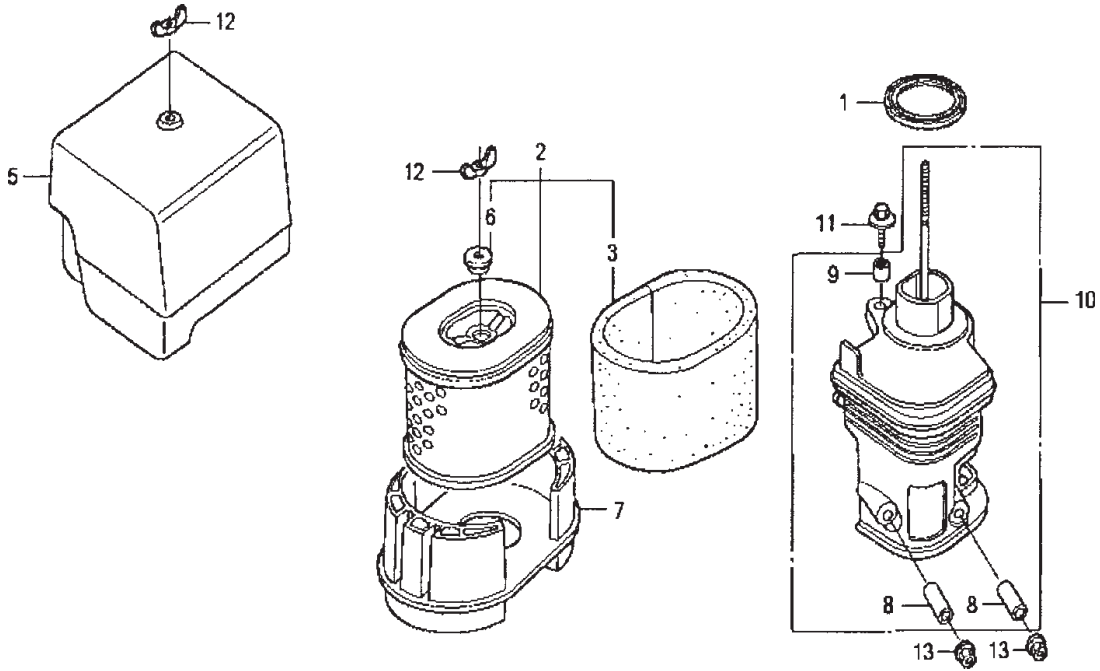
CONTROL ASSY

| <u>NO.</u> | <u>PART NO.</u> | <u>PART NAME</u> | <u>QTY.</u> | <u>REMARKS</u> |
|------------|-----------------|---------------------------|-------------|---------------------|
| A | 362910060 | THROTTLE LEVER ASSY | 1 | INCLUDES ITEMS W/ # |
| 1 | 464343680 | HANDLE BRACKET | 1 | |
| 2 | 456336420 | HANDLE BRACKET(R) | 1 | |
| 3 | 001221235 | BOLT 12X35 T | 4 | |
| 4 | 030212300 | WASHER, LOCK M12 | 4 | |
| 5 | 031112230 | WASHER, FLAT M12 | 4 | |
| 7 | 456336400 | RUBBER COUPLING | 2 | |
| 8 | 456449940 | SHOCK ABSORBER | 2 | |
| 9 | 456449930 | RUBBER PLATE | 2 | |
| 10 | 001221681 | BOLT 16X250 T | 1 | |
| 11 | 032124400 | CONICAL SPRING WASHER M24 | 2 | |
| 12 | 025406016 | SPRING PIN 6X16 | 2 | |
| 13 | 031116260 | WASHER, FLAT M16 | 2 | |
| 14 | 020316130 | NUT M16 | 1 | |
| 15 | 020416100 | NUT M16, H=10 | 1 | |
| 18 | 455434950 | SPINDLE | 1 | |
| 19 | 455010030 | KNOB | 1 | |
| 20 | 939010060 | SHOCK ABSORBER | 1 | |
| 21 | 020410060 | NUT M10, H=6 | 1 | |
| 22 | 020412070 | NUT M12, H=7 | 1 | |
| 23 | 022411635 | WING NUT M16 | 1 | |
| 25 | 954404230 | CLAMP SA120-18 | 1 | |
| 26 | 001220620 | BOLT 6X20 T | 1 | |
| 27 | 030206150 | WASHER, LOCK M6 | 1 | |
| 28 | 031106100 | WASHER, FLAT M6 | 1 | |
| 29 | 020306050 | NUT M6 | 1 | |
| 34 | 501402870 | HANDLE STOPPER | 1 | |
| 35 | 501402880 | SPRING/HANDLE (1.4X18X44) | 1 | |
| 36 | 959403460 | BALL GRIP 32D-M10 | 1 | |
| 37 | 020410060 | NUT M10, H=6 | 1 | |
| 38 | 456449980 | RUBBER PACKING 9D-20D-5T | 1 | |
| 39 | 953405260 | PACKING 1/4 (CU) | 1 | |
| 40 | 031110160 | WASHER, FLAT M10 | 1 | |
| 43 | 466217890 | HANDLE COVER | 1 | |
| 44 | 001220615 | BOLT 6X15 T | 6 | |
| 45 | 030206150 | WASHER, LOCK M6 | 6 | |
| 46 | 031106100 | WASHER, FLAT M6 | 6 | |
| 47 | 466462010 | PACKING, HANDLE COVER | 2 | |
| 61 | 466119770 | HANDLE | 1 | |
| 64 | 464216630 | TRAVEL LEVER | 1 | |
| 65 | 464457400 | HANDLE BOSS | 1 | |

CONTROL ASSY

| <u>NO.</u> | <u>PART NO.</u> | <u>PART NAME</u> | <u>QTY.</u> | <u>REMARKS</u> |
|------------|-----------------|----------------------------|-------------|----------------|
| 66 | 001221030 | BOLT 10X30 T | 2 | |
| 67 | 030210250 | WASHER, LOCK M10 | 2 | |
| 68 | 464216620 | GRIP | 1 | |
| 69 | 030210250 | WASHER, LOCK M10 | 2 | |
| 70 | 031110160 | WASHER, FLAT M10 | 2 | |
| 71 | 020310080 | NUT M10 | 2 | |
| 72 | 001220825 | BOLT 8X25 T | 2 | |
| 73 | 030208200 | WASHER, LOCK M8 | 2 | |
| 74 | 952010030 | WAVE WASHER W-20 | 4 | |
| 80# | 362341550 | THROTTLE BODY | 1 | |
| 81# | 362910090 | THROTTLE, GEAR CP, W/ BOLT | 1 | |
| 83# | 362455630 | THROTTLE LEVER | 1 | |
| 84# | 362455620 | SLIDER | 1 | |
| 85# | 050100450 | O-RING G-45 | 1 | |
| 86# | 050200100 | O-RING P-10 | 1 | |
| 87# | 031110160 | WASHER, FLAT M10 | 4 | |
| 88# | 032210220 | CONICAL SPRING WASHER M10 | 1 | |
| 89# | 096206006 | SOCKET HEAD SCREW 6X6 | 1 | |
| 90# | 020410060 | NUT M10, H=6 | 1 | |
| 91# | 022131008 | CAP NUT M10 | 1 | |
| 92# | 096208020 | SOCKET HEAD SCREW 8X20 | 1 | |
| 93# | 020408050 | NUT M8, H=5 | 1 | |
| 94 | 001220625 | BOLT 6X25 T | 2 | |
| 95 | 030206150 | WASHER, LOCK M6 | 2 | |
| 96 | 031106100 | WASHER, FLAT M6 | 2 | |
| 97 | 020306050 | NUT M6 | 2 | |
| 98 | 464457930 | RUBBER PIECE (T2) | 1 | |
| 99 | 954002270 | OIL HOSE W/ SPRING 1/4X920 | 1 | |
| 100 | 458451630 | BREATHER CAP | 1 | |
| 101 | 956100064 | THROTTLE WIRE | 1 | |
| 107 | 20675501-01 | CLAMP COMPL | 3 | |
| 108 | 001220615 | BOLT 6X15 T | 1 | |
| 109 | 030206150 | WASHER, LOCK M6 | 1 | |
| 110 | 4663-47890 | HAND PUMP | 1 | |

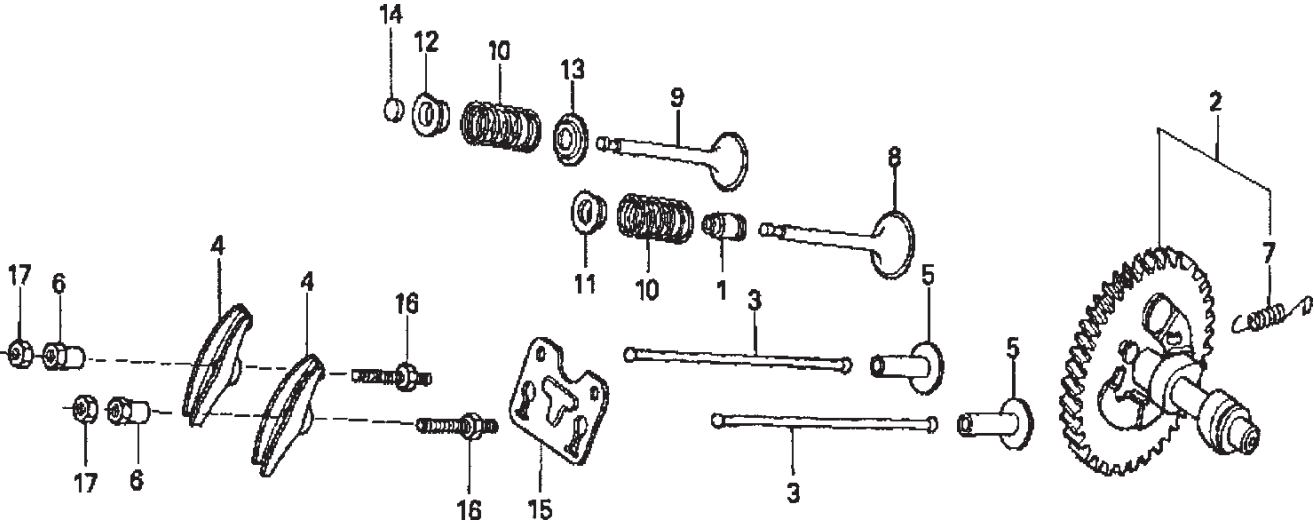
GX240U1SMX2 — AIR CLEANER ASSY



GX240U1SMX2 — AIR CLEANER ASSY

| <u>NO.</u> | <u>PART NO.</u> | <u>PART NAME</u> | <u>QTY.</u> | <u>REMARKS</u> |
|------------|-----------------|-----------------------------------|-------------|--------------------|
| 1 | 16271ZE2010 | PACKING, ELBOW | 1 | |
| 2 | 17210ZE2822 | ELEMENT, AIR CLEANER (DUAL) | 1 | INCLUDES ITEMS W/% |
| 3% | 17218ZE2821 | FILTER, OUTER | 1 | |
| 5 | 17231ZH9820 | COVER, AIR CLEANER | 1 | |
| 6% | 17232891000 | GROMMET, AIR CLEANER | 1 | |
| 7 | 17235ZE2820 | NOSE, SILENCER | 1 | |
| 8# | 17238ZE2310 | COLLAR, AIR CLEANER | 2 | |
| 9# | 17239ZE1000 | COLLAR B, AIR CLEANER | 1 | |
| 10 | 17410ZE2020 | ELBOW COMP., AIR CLEANER | 1 | INCLUDES ITEMS W/# |
| 11 | 90009ZE2003 | BOLT - WASHER, 6X22 | 1 | |
| 12 | 90325044000 | NUT, TOOL BOX SETTING | 2 | |
| 13 | 9405006000 | NUT, FLANGE 6MM | 2 | |

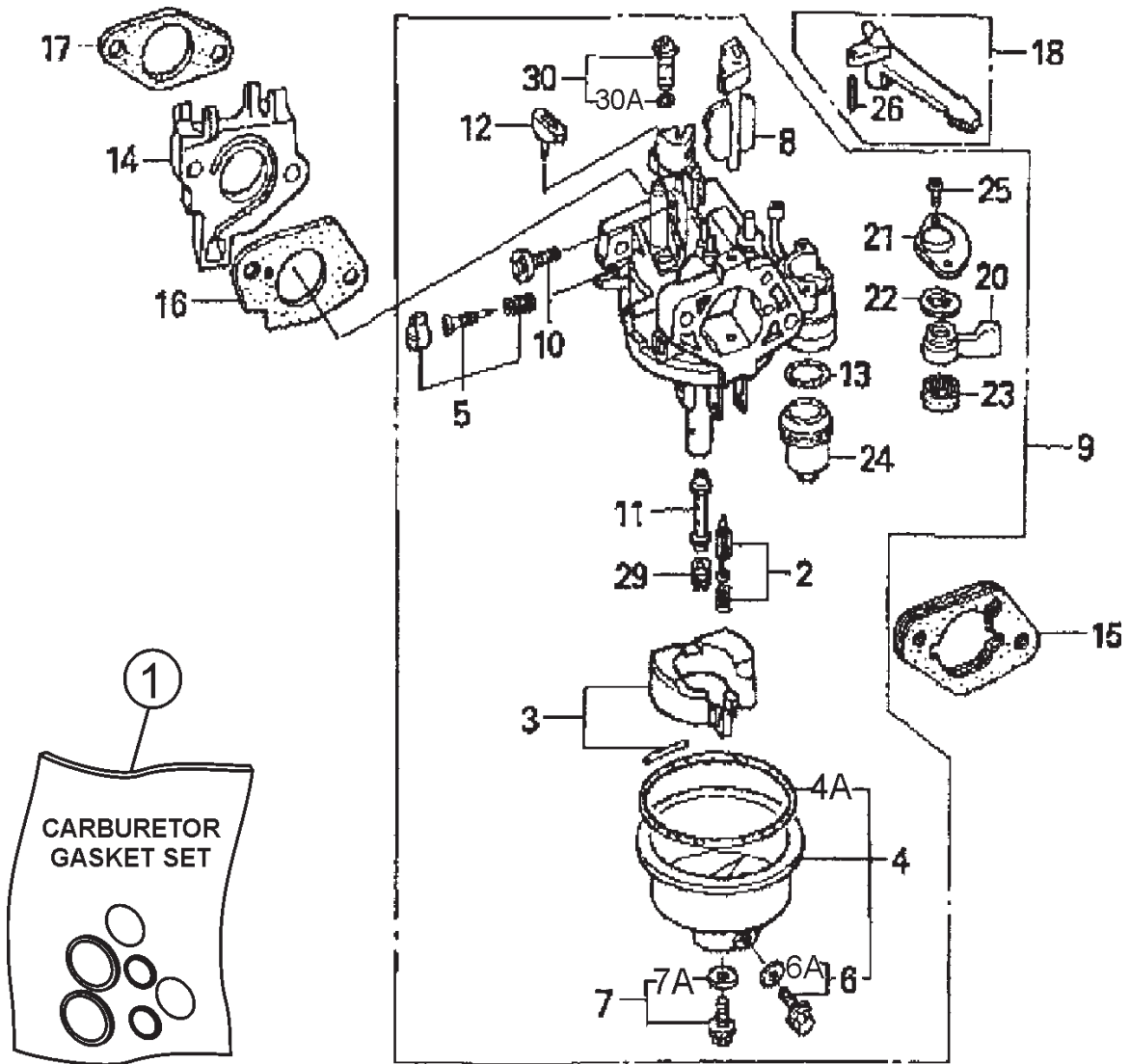
GX240U1SMX2 — CAMSHAFT ASSY



GX240U1SMX2 — CAMSHAFT ASSY

| <u>NO.</u> | <u>PART NO.</u> | <u>PART NAME</u> | <u>QTY.</u> | <u>REMARKS</u> |
|------------|-----------------|--------------------------------|-------------|--------------------|
| 1 | 12209ZE8003 | SEAL, VALVE STEM | 1 | |
| 2 | 14100ZE2W01 | CAMSHAFT ASSEMBLY | 1 | INCLUDES ITEM W/ * |
| 3 | 14410ZE2013 | ROD, PUSH | 2 | |
| 4 | 14431ZE2010 | ARM, VALVE ROCKER | 2 | |
| 5 | 14441ZE2000 | LIFTER, VALVE | 2 | |
| 6 | 14451ZE1013 | PIVOT, ROCKER ARM | 2 | |
| 7* | 14568ZE1000 | SPRING, WEIGHT RETURN | 1 | |
| 8 | 14711ZE2000 | VALVE, INTAKE | 1 | |
| 9 | 14721ZE2000 | VALVE, EXHAUST | 1 | |
| 10 | 14751ZE2003 | SPRING, VALVE | 2 | |
| 11 | 14771ZE2000 | RETAINER, INTAKE VALVE SPRING | 1 | |
| 12 | 14773ZE2000 | RETAINER, EXHAUST VALVE SPRING | 1 | |
| 13 | 14775ZE2010 | SEAT, VALVE SPRING | 1 | |
| 14 | 14781ZE2000 | ROTATOR, VALVE | 1 | |
| 15 | 14791ZE2010 | PLATE, PUSH ROD GUIDE | 1 | |
| 16 | 90012ZE0010 | BOLT, PIVOT 8MM | 2 | |
| 17 | 90206ZE1000 | NUT, PIVOT ADJUSTING | 2 | |

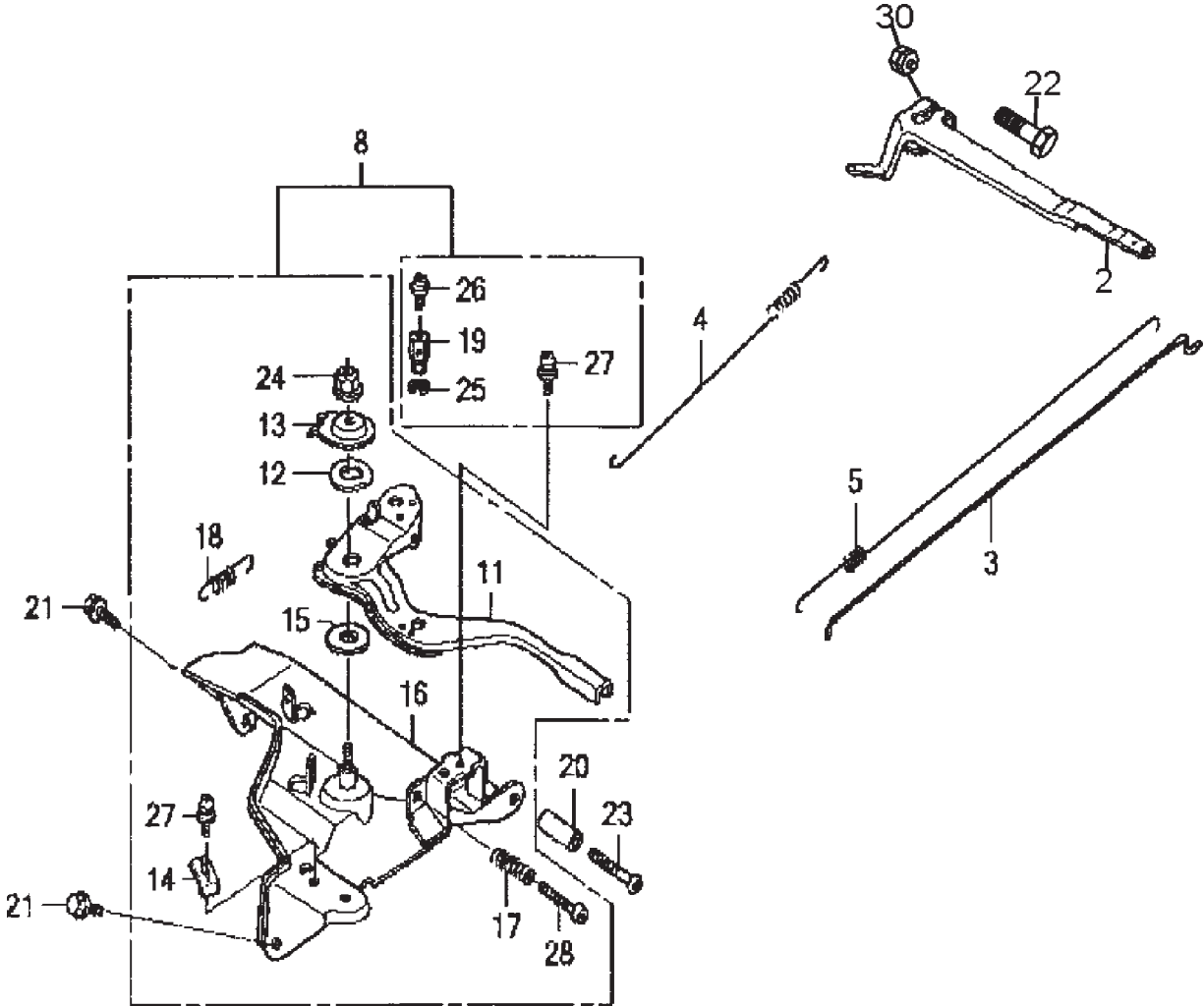
GX240U1SMX2 — CARBURETOR ASSY



GX240U1SMX2 — CARBURETOR ASSY

| <u>NO.</u> | <u>PART NO.</u> | <u>PART NAME</u> | <u>QTY.</u> | <u>REMARKS</u> |
|------------|-----------------|------------------------------------|-------------|---------------------|
| 1 | 16010ZE2812 | GASKET SET (INCLUDE 16173-001-004) | 1 | INCLUDES ITEM W/ + |
| 2# | 16011ZA0931 | VALVE SET, FLOAT | 1 | |
| 3# | 16013ZA0931 | FLOAT SET | 1 | |
| 4# | 16015ZE8005 | CHAMBER SET, FLOAT | 1 | INCLUDES ITEM 4A |
| | | | | INCLUDES ITEM W/ > |
| 4A+ | | GASKET, CHAMBER SET FLOAT | 1 | NOT SOLD SEPARATELY |
| 5# | 16016ZH7W01 | SCREW SET, PILOT | 1 | |
| 6#> | 16024ZE1811 | SCREW SET, DRAIN | 1 | INCLUDES ITEM 6A |
| 6A+ | | GASKET, DRAIN SCREW SET | 1 | NOT SOLD SEPARATELY |
| 7# | 16028ZE0005 | SCREW SET | 1 | INCLUDES ITEM 7A |
| 7A+ | | GASKET, SCREW SET | 1 | NOT SOLD SEPARATELY |
| 8# | 16044ZE2005 | CHOKE SET | 1 | |
| 9 | 16100ZE2W71 | CARBURETOR ASSY. (BE70B B/C) | 1 | INCLUDES ITEMS W/ # |
| 10# | 16124ZE0005 | SCREW, THROTTLE STOP | 1 | |
| 11 | 16166ZE2W70 | NOZZLE, MAIN | 1 | |
| 12# | 16172ZE3W10 | COLLAR, SETTING | 1 | |
| 13#+ | 16173001004 | PACKING, FUEL STRAINER CUP | 1 | |
| 14 | 16211ZE2000 | INSULATOR, CARBURETOR | 1 | |
| 15 | 16220ZA0702 | SPACER COMP., CARBURETOR | 1 | |
| 16 | 16221ZA0800 | PACKING CARBURETOR | 1 | |
| 17 | 16223ZA0800 | PACKING INSULATOR | 1 | |
| 18 | 16610ZE1000 | LEVER COMP., CHOKE (STD.) | 1 | |
| 20# | 16953ZE1812 | LEVER, COCK | 1 | |
| 21# | 16954ZE1812 | PLATE, LEVER SETTING | 1 | |
| 22# | 16956ZE1811 | SPRING, COCK LEVER | 1 | |
| 23#+ | 16957ZE1812 | PACKING, FUEL COCK | 1 | |
| 24# | 16967ZE0811 | CUP, FUEL STRAINER | 1 | |
| 25# | 93500030061H | SCREW, PAN 3X6 | 2 | |
| 26# | 9430520122 | PIN, SPRING 2X12 | 1 | |
| 29# | 99101ZH80820 | JET, MAIN #82 | 1 | |
| 29# | 99101ZH80850 | JET, MAIN #85 | 1 | |
| 29# | 99101ZH80880 | JET, MAIN #88 | 1 | |
| 30# | 99204ZA00400 | JET SET, PILOT #40, BE70B C | 1 | |
| 30# | 99204ZE00400 | JET SET, PILOT #40, BE79B B | 1 | |
| 30A+ | | GASKET, JET SET, PILOT #40 | 1 | NOT SOLD SEPARATELY |

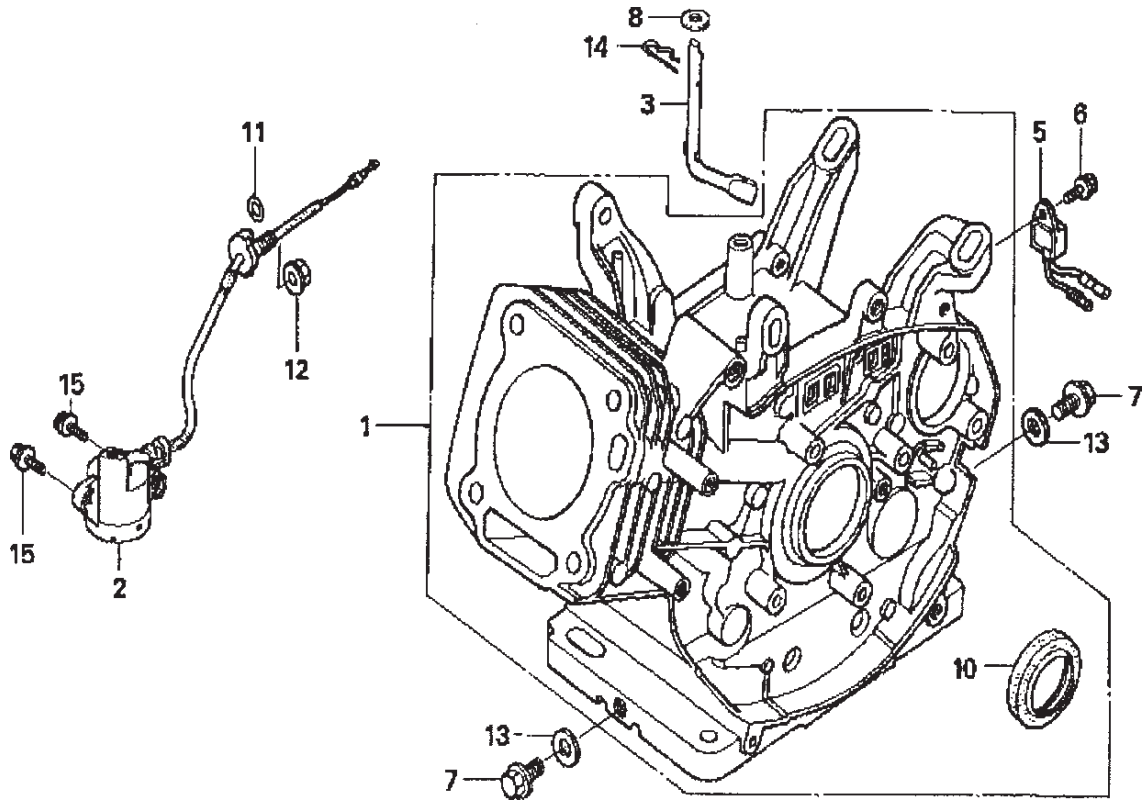
GX240U1SMX2 — CONTROL ASSY



GX240U1SMX2 — CONTROL ASSY

| <u>NO.</u> | <u>PART NO.</u> | <u>PART NAME</u> | <u>QTY.</u> | <u>REMARKS</u> |
|------------|-----------------|------------------------------|-------------|---------------------|
| 2 | 16551ZE2000 | ARM, GOVERNOR | 1 | |
| 3 | 16555ZE2000 | ROD, GOVERNOR | 1 | |
| 4 | 16561ZE2000 | SPRING, GOVERNOR | 1 | |
| 5 | 16562ZE2000 | SPRING, THROTTLE RETURN | 1 | |
| 8 | 16570ZE2W10 | CONTROL ASSY. (REMOTE) | 1 | INCLUDES ITEMS W/ % |
| 11% | 16571ZE2W00 | LEVER CONTROL | 1 | |
| 12% | 16574ZE1000 | SPRING LEVER | 1 | |
| 13% | 16575ZE2W00 | WASHER, CONTROL LEVER | 1 | |
| 14% | 16576891000 | HOLDER, CABLE | 1 | |
| 15% | 16578ZE1000 | SPACER, CONTROL LEVER | 1 | |
| 16% | 16581ZE2W00 | BASE COMP., CONTROL | 1 | |
| 17% | 16584883300 | SPRING, CONTROL ADJUSTING | 1 | |
| 18% | 16592883310 | SPRING, CABLE RETURN | 1 | |
| 19% | 16594883010 | HOLDER, WIRE | 1 | |
| 21 | 90013883000 | BOLT, FLANGE 6X12 (CT200) | 2 | |
| 22 | 90015ZE5010 | BOLT, GOVERNOR ARM | 1 | |
| 24% | 90114SA0000 | NUT, SELF- LOCK, 6MM | 1 | |
| 25% | 90605230000 | CIRCLIP, 5MM | 1 | |
| 26% | 93500040060H | SCREW, PAN 4X6 | 1 | |
| 27% | 93500050160A | SCREW, PAN 5X16 | 1 | |
| 28% | 93500050280A | SCREW, PAN 5X28 | 1 | |
| 30 | 9405006000 | NUT, FLANGE 6MM | 1 | |

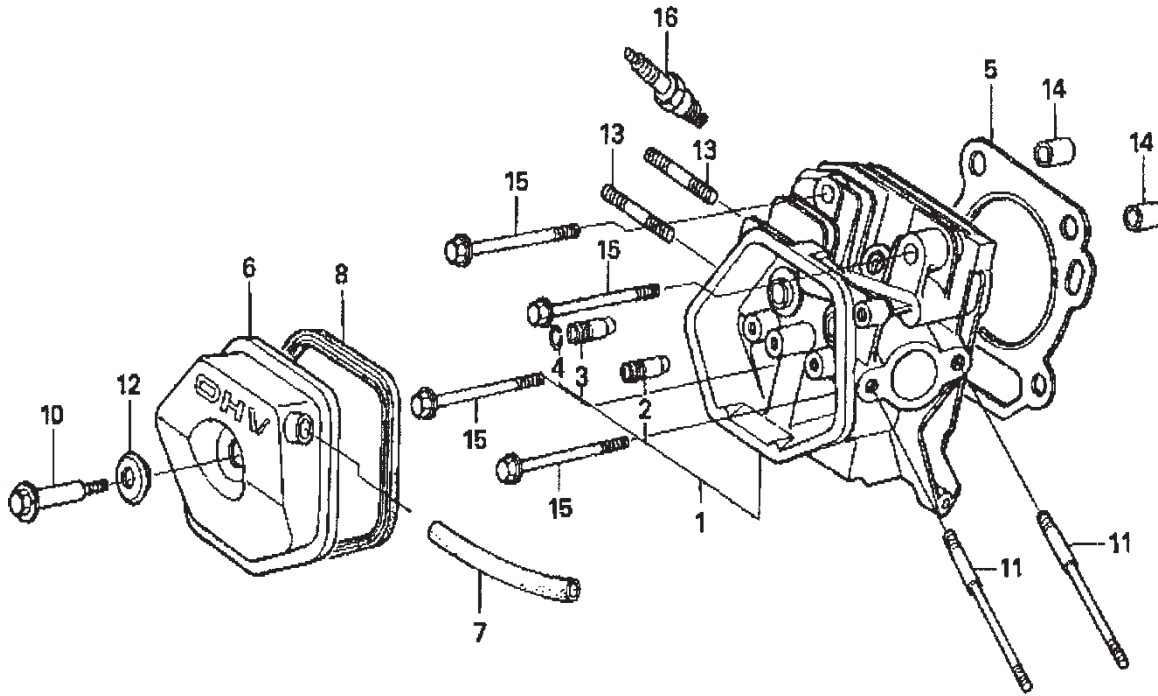
GX240U1SMX2 — CYLINDER BARREL ASSY



GX240U1SMX2 — CYLINDER BARREL ASSY

| <u>NO.</u> | <u>PART NO.</u> | <u>PART NAME</u> | <u>QTY.</u> | <u>REMARKS</u> |
|------------|-----------------|------------------------------------|-------------|-----------------------|
| 1 | 12000ZE2406 | CYL. BARREL ASSY., OIL ALERT | 1 | INCLUDES ITEMS W/ * |
| 2 | 15510ZE2043 | SWITCH ASSY., OIL LEVEL | 1 | S/N 1174359 AND BELOW |
| 2 | 15510ZE2053 | SWITCH ASSY., OIL LEVEL | 1 | S/N 1174360 AND ABOVE |
| 3 | 16541ZE2010 | SHAFT, GOVERNOR ARM | 1 | |
| 5 | 34150ZH7003 | ALERT UNIT, OIL | 1 | S/N 1178305 AND BELOW |
| 5 | 34150ZH7013 | ALERT UNIT, OIL | 1 | S/N 1178306 AND ABOVE |
| 6 | 90013883000 | BOLT, FLANGE 6X12 (CT200) | 1 | |
| 7 | 90131883000 | BOLT, DRAIN PLUG 12X15 | 2 | |
| 7 | 90131ZE3790 | BOLT, DRAIN PLUG | 1 | S/N 1207539 AND ABOVE |
| 8 | 90446KE1000 | WASHER, 8.2X17X0.8 | 1 | |
| 10* | 91201890003 | OIL SEAL, 30X46X8 | 1 | |
| 11 | 91353671004 | O- RING 14MM (NOK) | 1 | |
| 12 | 9405010000 | NUT, FLANGE 10MM | 1 | |
| 13 | 9410912000 | WASHER, DRAIN PLUG 12MM | 2 | |
| 14 | 9425110000 | PIN, LOCK 10MM | 1 | |
| 15 | 957010601200 | BOLT, FLANGE | 2 | |

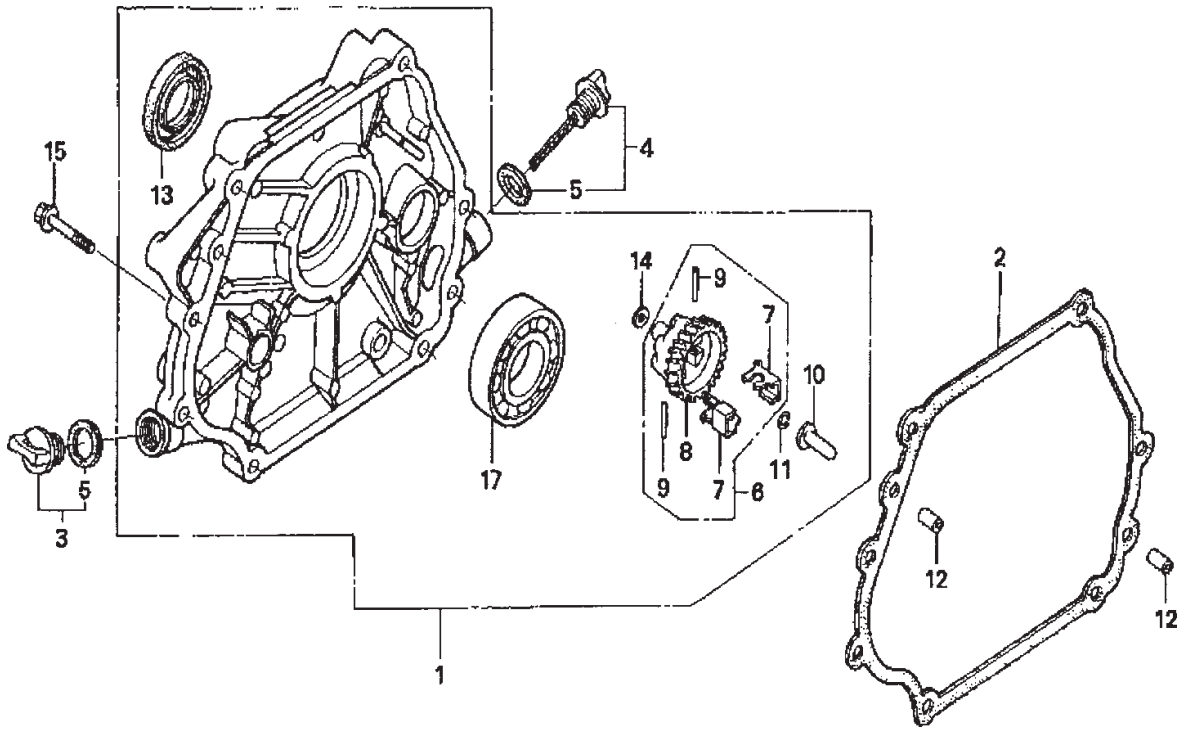
GX240U1SMX2 — CYLINDER HEAD ASSY



GX240U1SMX2 — CYLINDER HEAD ASSY

| <u>NO.</u> | <u>PART NO.</u> | <u>PART NAME</u> | <u>QTY.</u> | <u>REMARKS</u> |
|------------|-----------------|--------------------------------|-------------|-----------------------|
| 1 | 12200ZH9405 | HEAD COMP., CYLINDER | 1 | INCLUDES ITEMS W/% |
| 2% | 12204ZE2306 | GUIDE, IN. VALVE (O.S.) | 1 | |
| 3% | 12205ZE2305 | GUIDE, EX. VALVE (O.S.) | 1 | |
| 4% | 12216ZE2300 | CLIP, VALVE GUIDE | 1 | |
| 5 | 12251ZE2800 | GASKET, CYLINDER HEAD | 1 | |
| 6 | 12310ZE2020 | COVER COMP., HEAD | 1 | |
| 7 | 950051110030 | TUBE, 11X100 (95005-11001-30M) | 1 | |
| 8 | 12391ZE2020 | PACKING, HEAD COVER | 1 | |
| 10 | 90014ZE2000 | BOLT, HEAD COVER | 1 | |
| 11 | 90042ZE2000 | BOLT, STUD 8X23 | 2 | |
| 12 | 90441ZE2010 | WASHER COMP., HEAD COVER | 1 | |
| 13 | 92900080320E | BOLT, STUD 8X32 | 2 | |
| 14 | 9430112200 | DOWEL PIN, 12X20 | 2 | |
| 15 | 957011008000 | BOLT, FLANGE 10X80 | 4 | S/N 1167471 AND ABOVE |
| 15 | 957251008000 | BOLT, FLANGE 10X80 | 4 | S/N 1167470 AND BELOW |
| 16 | 9807955846 | PLUG, SPARK (BPR5ES) (NGK) | 1 | |
| 16 | 9807955855 | PLUG, SPARK (W16EPR-U) (DENSO) | 1 | |
| 16 | 9807956846 | PLUG, SPARK (BPR6ES) (NGK) | 1 | |
| 16 | 9807956855 | PLUG, SPARK (W20EPR-U) (DENSO) | 1 | |

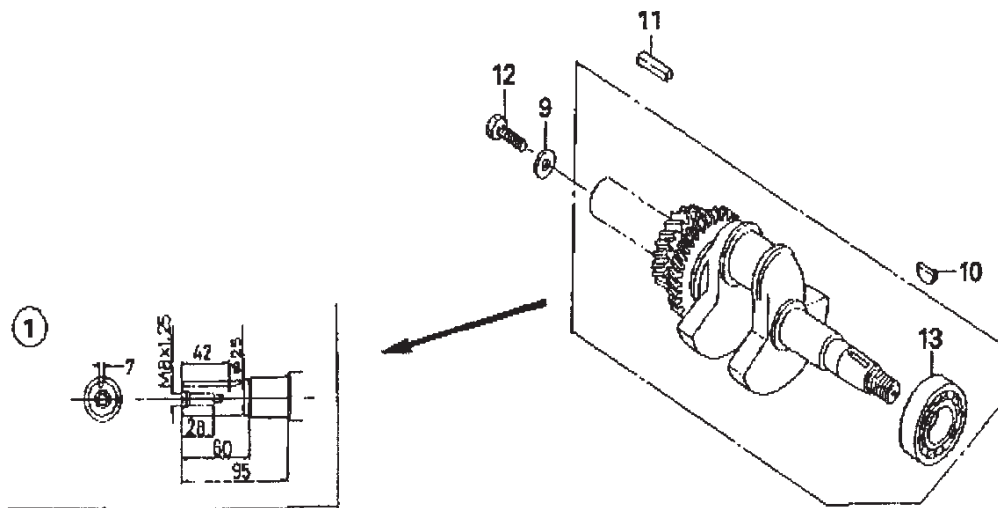
GX240U1SMX2 — CRANKCASE COVER ASSY



GX240U1SMX2 — CRANKCASE COVER ASSY

| <u>NO.</u> | <u>PART NO.</u> | <u>PART NAME</u> | <u>QTY.</u> | <u>REMARKS</u> |
|------------|-----------------|--------------------------------|-------------|--|
| 1 | 11300ZE2020 | COVER ASSY, CRANKCASE | 1 | INCLUDES ITEMS W/ * S/N 1207538 AND BELOW |
| 1 | 11300ZH9S50 | COVER ASSY, CRANKCASE | 1 | INCLUDES ITEMS W/ * S/N 1207539 AND ABOVE |
| 2 | 11381ZE2801 | GASKET, CASE COVER | 1 | |
| 3 | 15600ZG4003 | CAP ASSEMBLY, OIL FILLER | 1 | INCLUDES ITEMS W/ \$ |
| 4 | 15600735003 | CAP ASSEMBLY, OIL FILLER | 1 | INCLUDES ITEMS W/ # |
| 5\$# | 15625ZE1003 | GASKET, OIL FILLER CAP | 2 | |
| 6* | 16510ZE2000 | GOVERNOR ASSY..... | 1 | INCLUDES ITEMS W/ + |
| 7*+ | 16511ZE2000 | WEIGHT, GOVERNOR | 2 | |
| 8*+ | 16512ZE2000 | HOLDER, GOVERNOR WEIGHT | 1 | |
| 9*+ | 16513ZE2000 | PIN, GOVERNOR WEIGHT | 2 | |
| 10* | 16531Z0A000 | SLIDER, GOVERNOR | 1 | |
| 11* | 90602ZE1000 | CLIP, GOVERNOR HOLDER | 1 | |
| 12 | 90701HC4000 | PIN, DOWEL 8 X12 | 2 | |
| 13* | 91201890003 | OIL SEAL 30X46X8 | 1 | |
| 14* | 9410106800 | WASHER, PLAIN 6MM | 1 | |
| 15 | 957010803500 | BOLT, FLANGE 8X35 | 7 | |
| 17* | 961006206000 | BEARING, RADIAL BALL 6206 | 1 | |

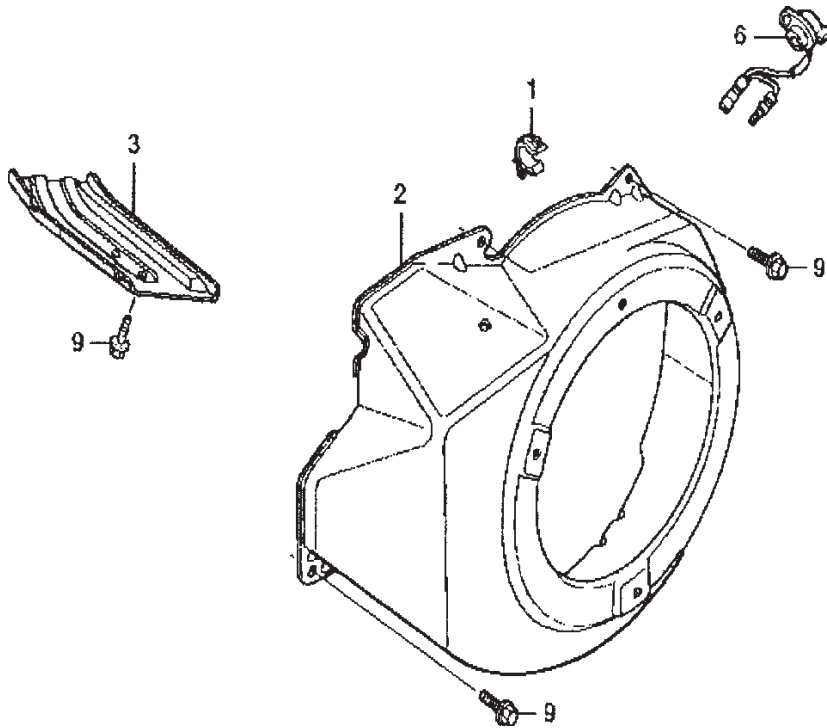
GX240U1SMX2 — CRANKSHAFT ASSY



GX240U1SMX2 — CRANKSHAFT ASSY

| <u>NO.</u> | <u>PART NO.</u> | <u>PART NAME</u> | <u>QTY.</u> | <u>REMARKS</u> |
|------------|-----------------|------------------------------|-------------|---|
| 1 | 13310ZE2010 | CRANKSHAFT, COMP. | 1 | S/N 1013858 AND BELOW INCLUDES ITEM W/ % |
| 1 | 13310ZE2020 | CRANKSHAFT, COMP. | 1 | S/N 1013859 AND ABOVE INCLUDES ITEM W/ % |
| 9 | 90534706010 | WASHER, LOCK 8 MM | 1 | |
| 10 | 90741ZE2000 | KEY, SPECIAL WOODRUFF, 25X18 | 1 | |
| 11 | 90741805000 | KEY, 7X7X33 | 1 | |
| 11 | 90741889810 | KEY, 7X7X33 (YELLOW) | 1 | |
| 12 | 92101080250A | BOLT, HEX 8X25 | 1 | |
| 13% | 961006206000 | BEARING, RADIAL BALL 6206 | 1 | |

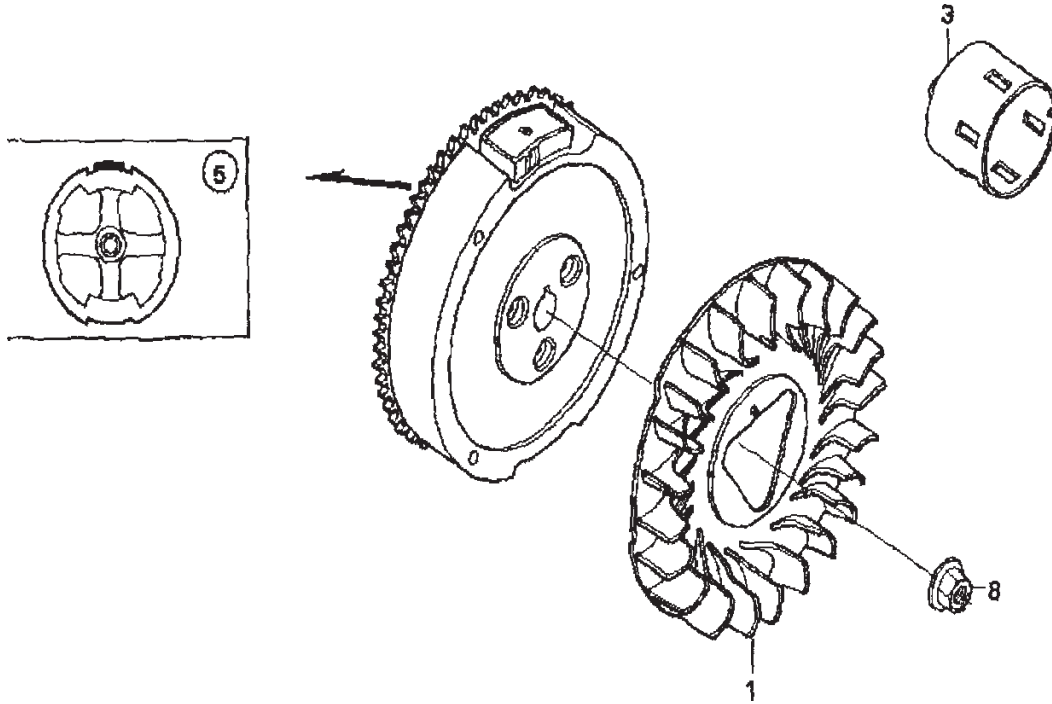
GX240U1SMX2 — FAN COVER ASSY



GX240U1SMX2 — FAN COVER ASSY

| <u>NO.</u> | <u>PART NO.</u> | <u>PART NAME</u> | <u>QTY.</u> | <u>REMARKS</u> |
|------------|-----------------|---------------------------------|-------------|-----------------------|
| 1 | 16731ZE2003 | CLIP, TUBE | 1 | |
| 2 | 19610ZE2010ZC | COVER COMP., FAN *NH1* | 1 | |
| 3 | 19631ZE2D00 | SHROUD | 1 | |
| 6 | 36100ZF6P81 | SWITCH ASSY., ENGINE STOP | 1 | S/N 1174498 AND BELOW |
| 6 | 36100ZF6P82 | SWITCH ASSY., ENGINE STOP | 1 | S/N 1174499 AND ABOVE |
| 9 | 90013883000 | BOLT, FLANGE 6X12 (CT200) | 6 | |

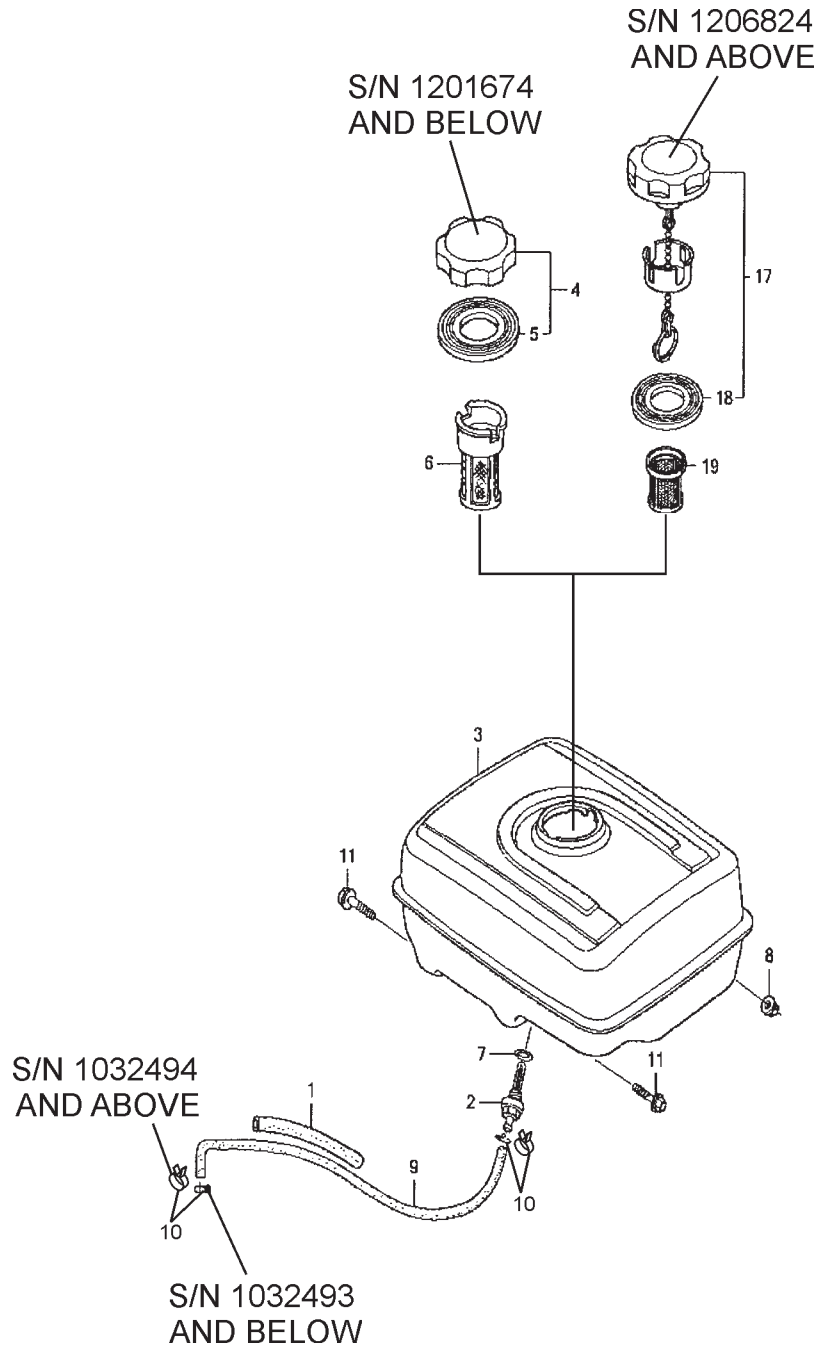
GX240U1SMX2 — FLYWHEEL ASSY



GX240U1SMX2 — FLYWHEEL ASSY

| <u>NO.</u> | <u>PART NO.</u> | <u>PART NAME</u> | <u>QTY.</u> | <u>REMARKS</u> |
|------------|-----------------|-------------------------|-------------|-----------------------|
| 1 | 19511ZE2000 | FAN, COOLING | 1 | |
| 3 | 28451ZE2W01 | PULLEY, STARTER | 1 | |
| 5 | 31100ZE2010 | FLYWHEEL COMP. | 1 | |
| 8 | 90201ZE3V00 | NUT, SPECIAL 16MM | 1 | S/N AND BELOW 1131467 |
| 8 | 90201ZE3790 | NUT, SPECIAL 16MM | 1 | S/N AND ABOVE 1131468 |

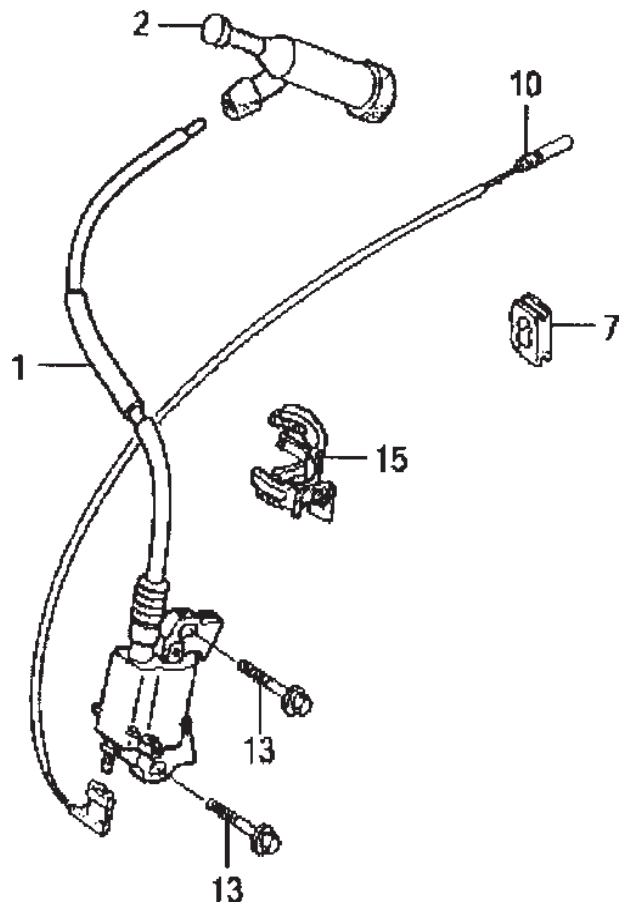
GX240U1SMX2 — FUEL TANK ASSY



GX240U1SMX2 — FUEL TANK ASSY

| <u>NO.</u> | <u>PART NO.</u> | <u>PART NAME</u> | <u>QTY.</u> | <u>REMARKS</u> |
|------------|-----------------|--------------------------------------|-------------|---|
| 1 | 16854ZH8000 | RUBBER, SUPPORTER (107MM) | 1 | |
| 2 | 16955ZE1000 | JOINT, FUEL TANK | 1 | |
| 3 | 17510ZE2020ZD | TANK COMP., FUEL *NH1* | 1 | S/N 1016062 AND BELOW |
| 3 | 17510ZE2800ZA | TANK COMP., FUEL *NH1* | 1 | S/N 1016063 ~ 1161304 |
| 3 | 17510ZE2801ZA | TANK COMP., FUEL *NH1* | 1 | S/N 1161305 AND ABOVE |
| 4 | 17620Z0T305 | CAP COMP., FUEL FILLER | 1 | S/N 1201674 AND BELOW INCLUDES ITEM W/ # |
| 5# | 17631Z0T812 | PACKING, FUEL FILLER CAP (39X62X3) . | 1 | S/N 1201674 AND BELOW |
| 6 | 17672ZE2W01 | FILTER, FUEL | 1 | S/N 1201674 AND BELOW |
| 7 | 91353671004 | O- RING 14MM (NOK) | 1 | |
| 8 | 9405008000 | NUT, FLANGE 8MM | 2 | |
| 9 | 950014522240 | TUBE, FUEL 4.5X222 (95001-45001-60M) | 1 | S/N 1032493 AND BELOW |
| 9 | 91424Z5F801 | TUBE, FUEL 4.5X222 (FKM) | 1 | S/N 1032494 AND ABOVE |
| 10 | 9500202080 | CLIP, TUBE B8 | 2 | S/N 1032493 AND BELOW |
| 10 | 950024080008 | CLAMP, TUBE D8 | 2 | S/N 1032494 AND ABOVE |
| 11 | 957010802500 | BOLT, FLANGE 8X25 | 2 | |
| 17 | 17620Z4H010 | CAP COMP., FUEL FILLER | 1 | S/N 1201675 ~ 1206823 INCLUDES ITEM W/ % |
| 17 | 17620Z4H020 | CAP COMP., FUEL FILLER | 1 | S/N 1206824 AND ABOVE INCLUDES ITEM W/ + |
| 18% | 17631Z4H800 | PACKING, FUEL FILLER CAP (39X62X3) . | 1 | S/N 1201675 ~ 1206823 |
| 18+ | 17631Z0T801 | PACKING, FUEL FILLER CAP (39X62X3) . | 1 | S/N 1206824 AND ABOVE |
| 19 | 17672Z4H000 | FILTER, FUEL | 1 | S/N 1201675 AND ABOVE |

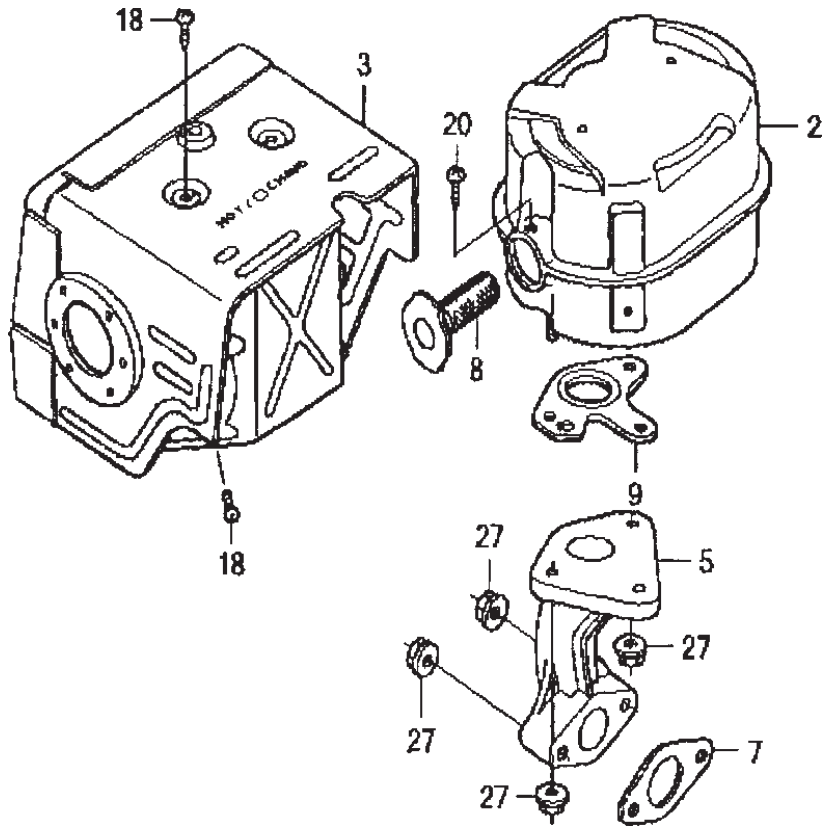
GX240U1SMX2 — IGNITION COIL ASSY



GX240U1SMX2 — IGNITION COIL ASSY

| <u>NO.</u> | <u>PART NO.</u> | <u>PART NAME</u> | <u>QTY.</u> | <u>REMARKS</u> |
|------------|-----------------|-----------------------------|-------------|-----------------------|
| 1 | 30500ZF6W02 | COIL ASSY., IGNITION | 1 | S/N 1167470 AND BELOW |
| 1 | 30500ZF6W03 | COIL ASSY., IGNITION | 1 | S/N 1167471 AND ABOVE |
| 2 | 30700ZE1013 | CAP ASSY., NOISE SUPPRESSOR | 1 | |
| 7 | 31512ZE2000 | GROMMET, CORD | 1 | |
| 10 | 36101ZE1010 | CORD, STOP SWITCH (370MM) | 1 | |
| 13 | 90015883000 | BOLT, FLANGE 6X28 | 2 | |
| 15 | 90684ZA0601 | CLIP, HARNESS | 1 | |

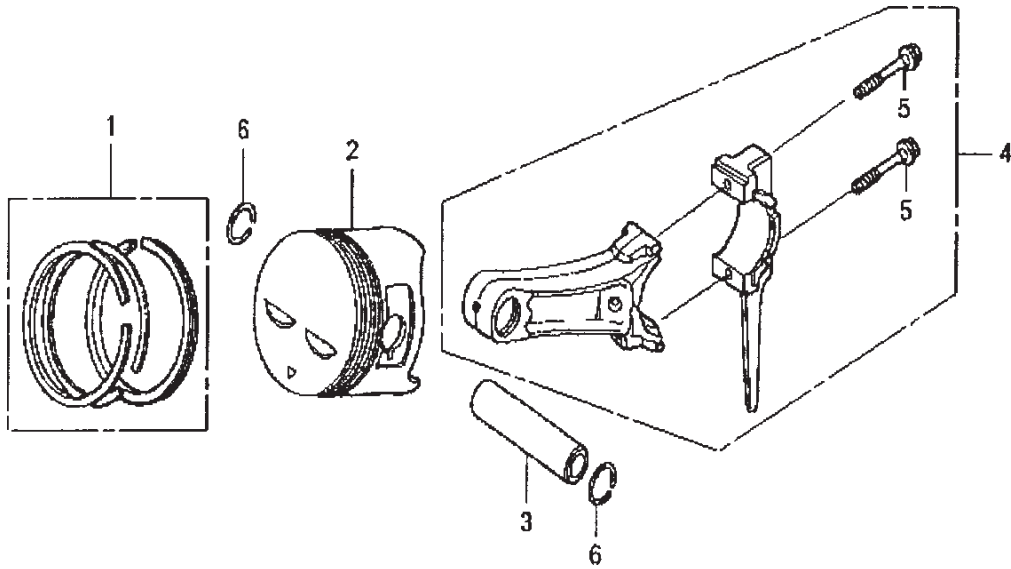
GX240U1SMX2 — MUFFLER ASSY



GX240U1SMX2 — MUFFLER ASSY

| <u>NO.</u> | <u>PART NO.</u> | <u>PART NAME</u> | <u>QTY.</u> | <u>REMARKS</u> |
|------------|-----------------|---------------------------------|-------------|----------------|
| 2 | 18310ZE2W00 | MUFFLER COMP. | 1 | |
| 3 | 18320ZE2W01 | PROTECTOR COMP., MUFFLER (STD.) | 1 | |
| 5 | 18330ZE2W00 | PIPE, EX. | 1 | |
| 7 | 18333ZE3800 | GASKET, EX. PIPE | 1 | |
| 8 | 18355ZE2010 | ARRESTER, SPARK | 1 | |
| 9 | 18381ZE2W10 | GASKET, MUFFLER (ARRESTER) | 1 | |
| 18 | 90050ZE1000 | SCREW, TAPING 5X8 | 4 | |
| 20 | 90050ZE1000 | SCREW, TAPING 5X8 | 1 | |
| 27 | 9405008000 | NUT, FLANGE 8MM | 5 | |

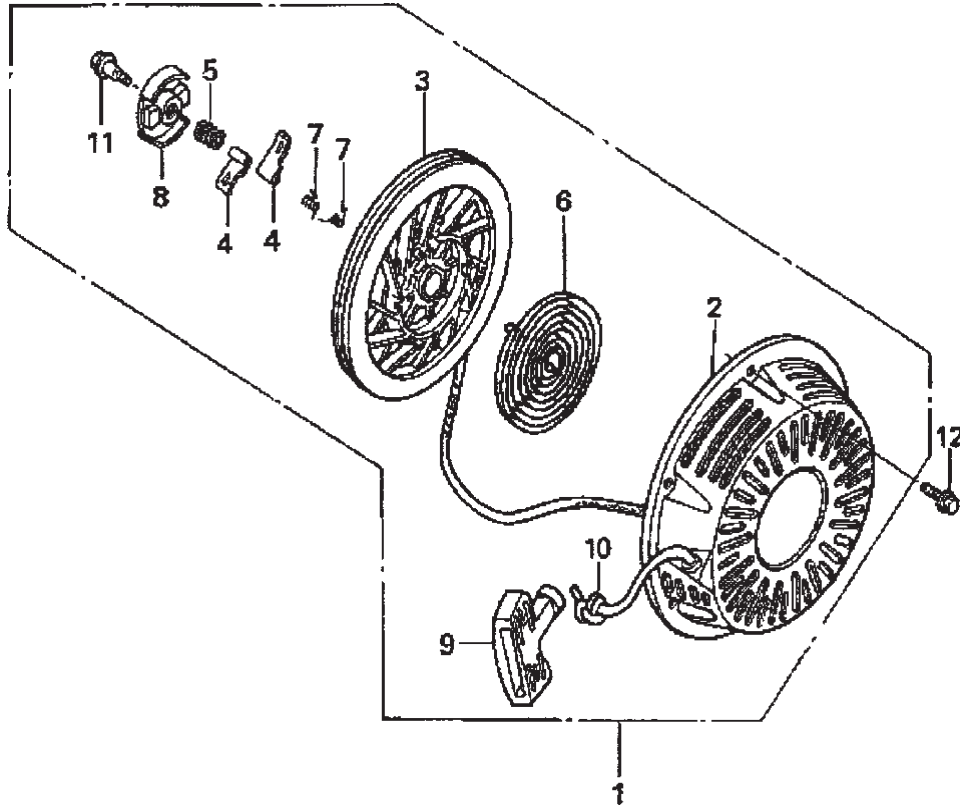
GX240U1SMX2 — PISTON ASSY



GX240U1SMX2 — PISTON ASSY

| <u>NO.</u> | <u>PART NO.</u> | <u>PART NAME</u> | <u>QTY.</u> | <u>REMARKS</u> |
|------------|-----------------|----------------------------------|-------------|-----------------------|
| 1 | 13010ZE2921 | RING SET, PISTON (STD.) | 1 | S/N 1194595 AND BELOW |
| 1 | 13010Z5F004 | RING SET, PISTON (STD.) | 1 | S/N 1194596 AND ABOVE |
| 1 | 13011ZE2921 | RING SET, PISTON (0.25) | 1 | S/N 1194595 AND BELOW |
| 1 | 13011Z5F004 | RING SET, PISTON (0.25) | 1 | S/N 1194596 AND ABOVE |
| 1 | 13012ZE2921 | RING SET, PISTON (0.50) | 1 | S/N 1194595 AND BELOW |
| 1 | 13012Z5F004 | RING SET, PISTON (0.50) | 1 | S/N 1194596 AND ABOVE |
| 1 | 13013ZE2921 | RING SET, PISTON (0.75) | 1 | S/N 1194595 AND BELOW |
| 1 | 13013Z5F004 | RING SET, PISTON (0.75) | 1 | S/N 1194596 AND ABOVE |
| 2 | 13101ZE2W00 | PISTON (STD.) | 1 | S/N 1194595 AND BELOW |
| 2 | 13101ZE2W01 | PISTON (STD.) | 1 | S/N 1194596 AND ABOVE |
| 2 | 13102ZE2W00 | PISTON (OS 0.25) | 1 | S/N 1194595 AND BELOW |
| 2 | 13102ZE2W01 | PISTON (OS 0.25) | 1 | S/N 1194596 AND ABOVE |
| 2 | 13103ZE2W00 | PISTON (OS 0.50) | 1 | S/N 1194595 AND BELOW |
| 2 | 13103ZE2W01 | PISTON (OS 0.50) | 1 | S/N 1194596 AND ABOVE |
| 2 | 13104ZE2W00 | PISTON (0.75) | 1 | S/N 1194595 AND BELOW |
| 2 | 13104ZE2W01 | PISTON (OS 0.75) | 1 | S/N 1194596 AND ABOVE |
| 3 | 13111ZE2000 | PIN, PISTON | 1 | |
| 4 | 13200ZE2010 | ROD ASSY., CONNECTING (STANDARD) | 1 | INCLUDES ITEMS W/ # |
| 4 | 13200ZE2305 | ROD ASSY., CONNECTING (0.25) | 1 | |
| 5# | 90001ZE8000 | BOLT, CONNECTING ROD | 2 | |
| 6 | 90551ZE1000 | CLIP, PISTON PIN 18 MM | 2 | |

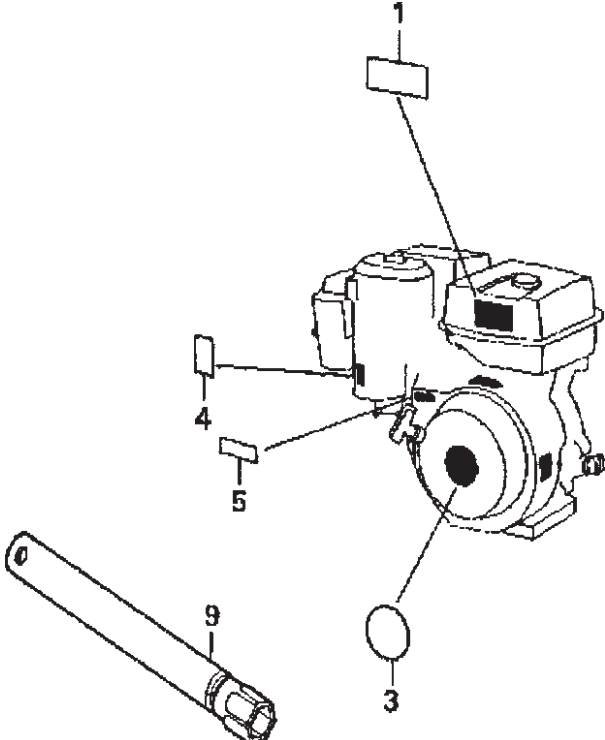
GX240U1SMX2 — RECOIL STARTER ASSY



GX240U1SMX2 — RECOIL STARTER ASSY

| <u>NO.</u> | <u>PART NO.</u> | <u>PART NAME</u> | <u>QTY.</u> | <u>REMARKS</u> |
|------------|-----------------|-----------------------------------|-------------|---------------------|
| 1 | 28400ZE2W01ZB | STARTER ASSY., RECOIL *NH1* | 1 | INCLUDES ITEMS W/ # |
| 2# | 28410ZE2W01ZB | CASE COMP., RECOIL STARTER *NH1* | 1 | |
| 3# | 28421ZE2W01 | PULLEY, RECOIL STARTER | 1 | |
| 4# | 28422ZE2W01 | RATCHET, STARTER | 2 | |
| 5# | 28441ZE2W01 | SPRING, FRICTION | 1 | |
| 6# | 28442ZE2W01 | SPRING, STARTER RETURN | 1 | |
| 7# | 28443ZE2W01 | SPRING, RATCHET | 2 | |
| 8# | 28444ZE2W01 | RETAINER, SPRING | 1 | |
| 9# | 28461ZE2W02 | GRIP, STARTER | 1 | |
| 10# | 28462ZE2W11 | ROPE, RECOIL STARTER | 1 | |
| 11# | 90004ZE2W01 | SCREW, CENTER | 1 | |
| 12 | 90008ZE2003 | BOLT, FLANGE 6X10 | 3 | |

GX240U1SMX2 — LABEL/TOOL ASSY



GX240U1SMX2 — LABEL/TOOL ASSY

| <u>NO.</u> | <u>PART NO.</u> | <u>PART NAME</u> | <u>QTY.</u> | <u>REMARKS</u> |
|------------|-----------------|---------------------------------|-------------|-----------------------|
| 1 | 87516ZH7000 | MARK, OPERATOR CAUTION | 1 | |
| 3 | 87521ZE2W03 | EMBLEM, (GX240 HONDA 8.0) | 1 | S/N 1167470 AND BELOW |
| 3 | 87521ZE2W04 | EMBLEM (GX240) | 1 | S/N 1167471 AND ABOVE |
| 4 | 87528ZH7000 | MARK, CHOKE (GRAY) | 1 | |
| 5 | 87532ZH7000 | MARK, THROTTLE INDICATION | 1 | |
| 9 | 89218ZE1000 | WRENCH COMP., SPARK PLUG | 1 | |