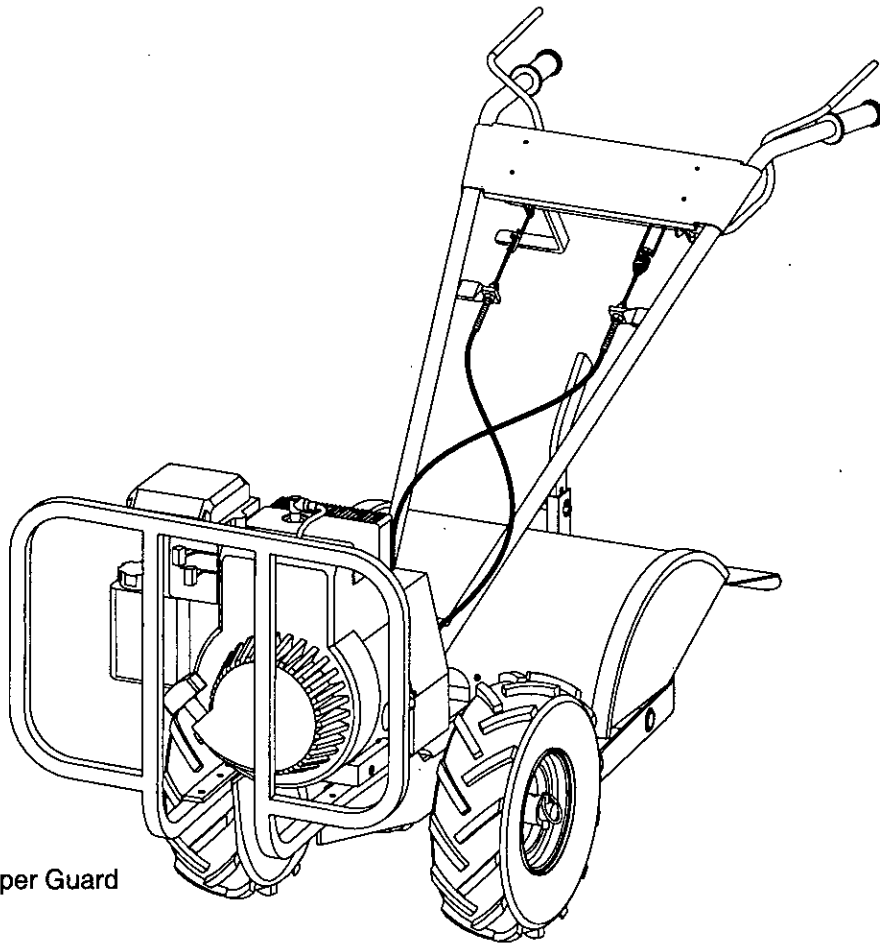


CRT Rototiller Operator's Manual



Shown with
Optional Bumper Guard

Includes Models

5050-5050GS

5055-5055GS

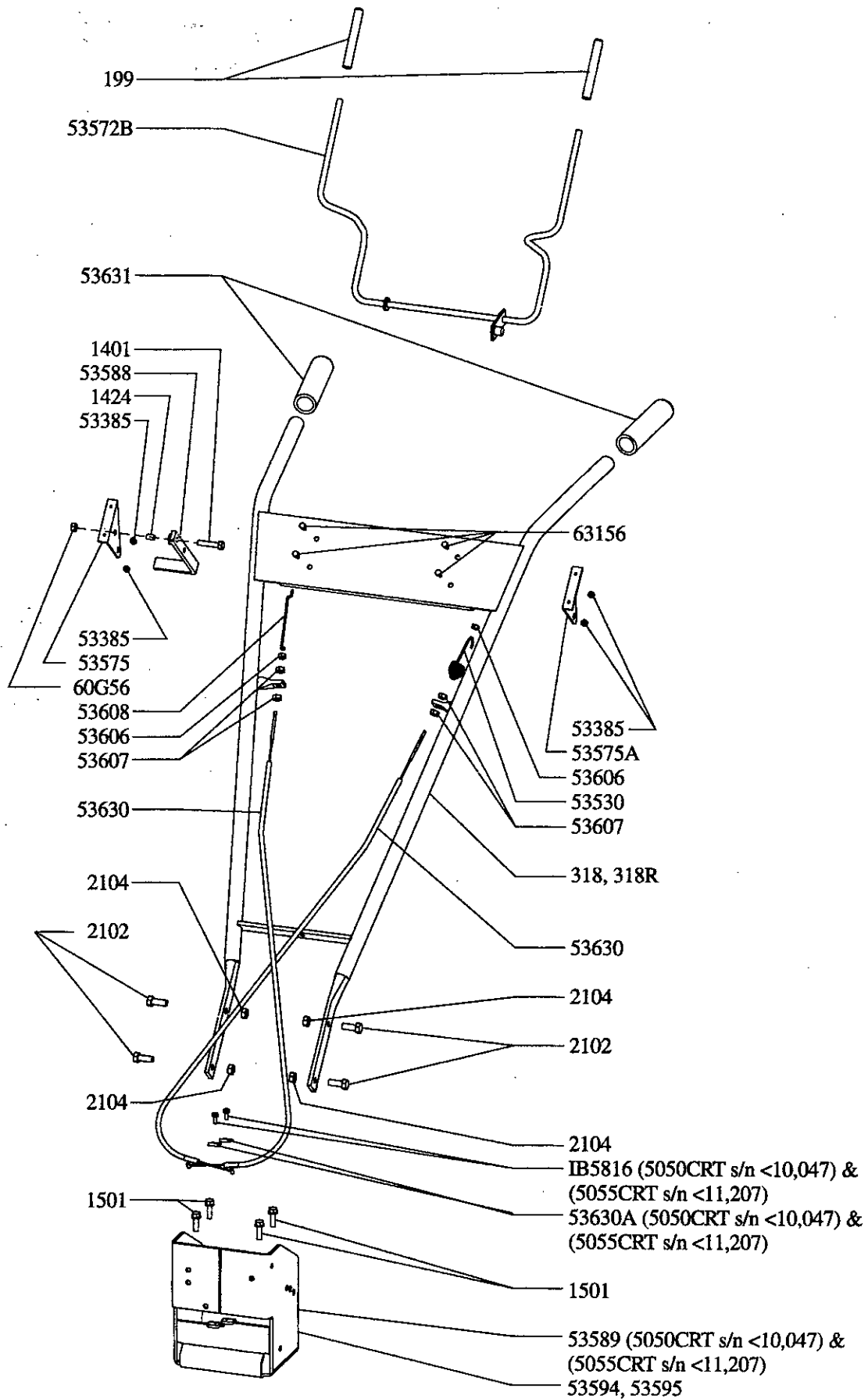
Part #: OM5050CRT

Rev. 1/01

© Copyright 2001 Ardisam, Inc.
All Rights Reserved. Printed in USA.



5050/5055 Handlebar Assembly



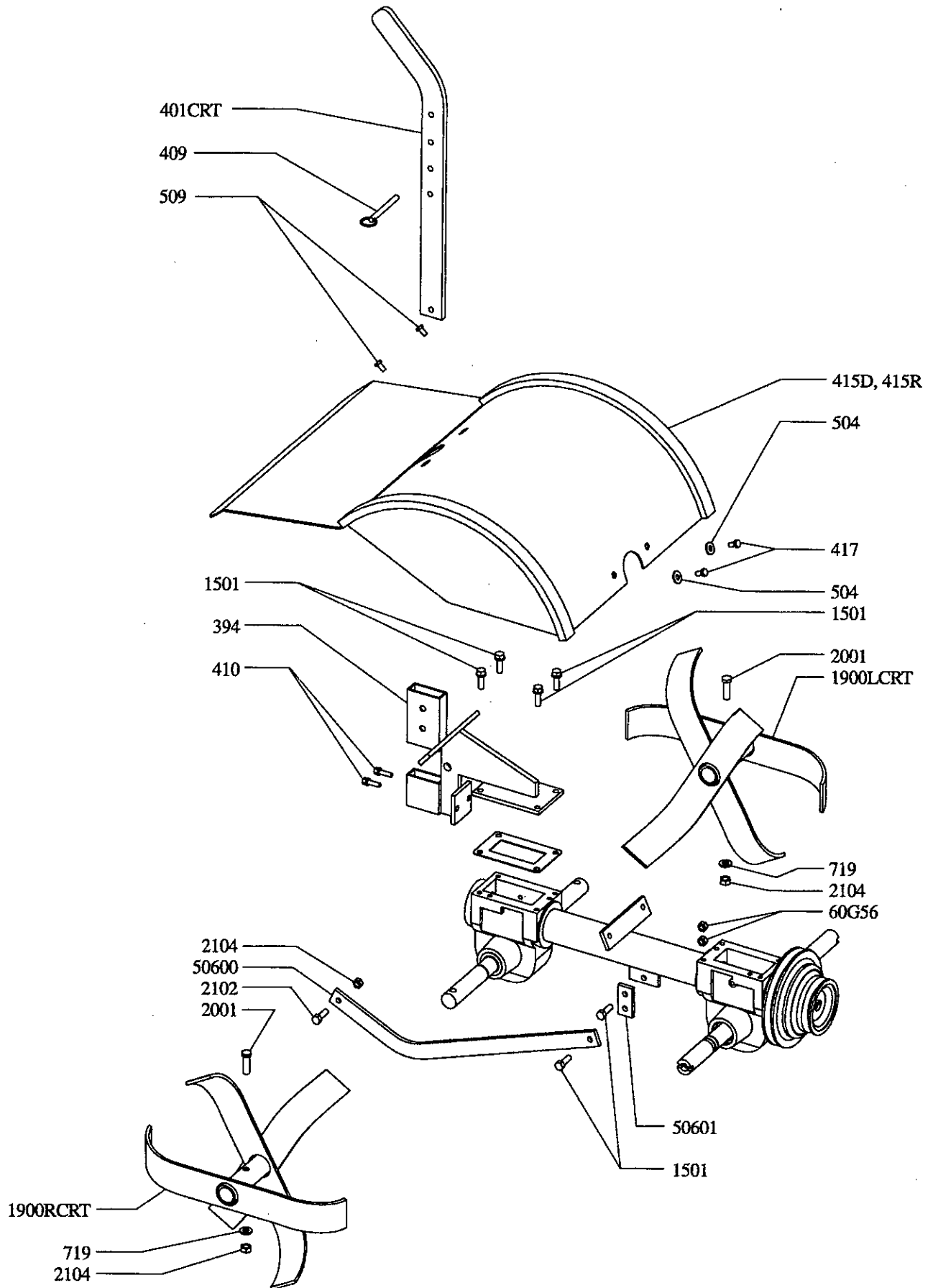
5050/5055 Handlebar Assembly



<u>Part #</u>	<u>Description</u>	<u>Qty.</u>
60G56	NUT-Bi-Way Lock, 5/16-18	1
199	HANDLE GRIP-Drive Control Lever	2
318	HANDLEBAR ASSEMBLY, Black	1
318R	HANDLEBAR ASSEMBLY, Red	1
1401	BOLT-Hex Hd, 5/16-18 x 1-1/4"	1
1424	BUSHING-Pivot, 5/16"	1
1501	BOLT-Hex Flange Hd, 5/16-18 x 3/4"	4
2102	BOLT-Hex Hd, 3/8-16 x 1", Grade 5	4
2104	NUT-Hex, 3/8-16	4
53385	NUT-Keps, 10-24	4
53530	SPRING-Bee Hive, Forward Cable Adjust.....	1
53572B	DRIVE CONTROL LEVER	1
53575	BRACKET-Drive Control Lever, Right.....	1
53575A	BRACKET-Drive Control Lever, Left.....	1
53588	REVERSE HANDLE	1
53589	FRONT COVER PLATE & HANDLEBAR MOUNT, Black, w/Filler Tube (2000)	1
53594	FRONT COVER PLATE & HANDLEBAR MOUNT, Black, No Filler Tube (2001).....	1
53595	FRONT COVER PLATE & HANDLEBAR MOUNT, Red, No Filler Tube (2001).....	1
53606	NUT-Nyloc, #10	2
53607	NUT-Jam, 5/16-24	4
53608	REVERSE LINK	1
53630	CABLE ASSEMBLY	2
53630A	CABLE CLAMP (2000 models)	2
53631	HANDLE GRIP, No Flange, Black	2
3156	SCREW-Button Hd Torx, 10-24 x 1/2", T-25	4
IB5816	BOLT-Hex Hd, 5mm x 0.8mm x 16mm (2000 models)	2
LBL304EQ	DECAL-Handlebar Dash, Earthquake	1
LBL304GS	DECAL-Handlebar Dash, Garden Star	1
LBL516B	DECAL-Console (Forward/Reverse Instructions).....	1



5050/5055 Tines & Hood Assembly



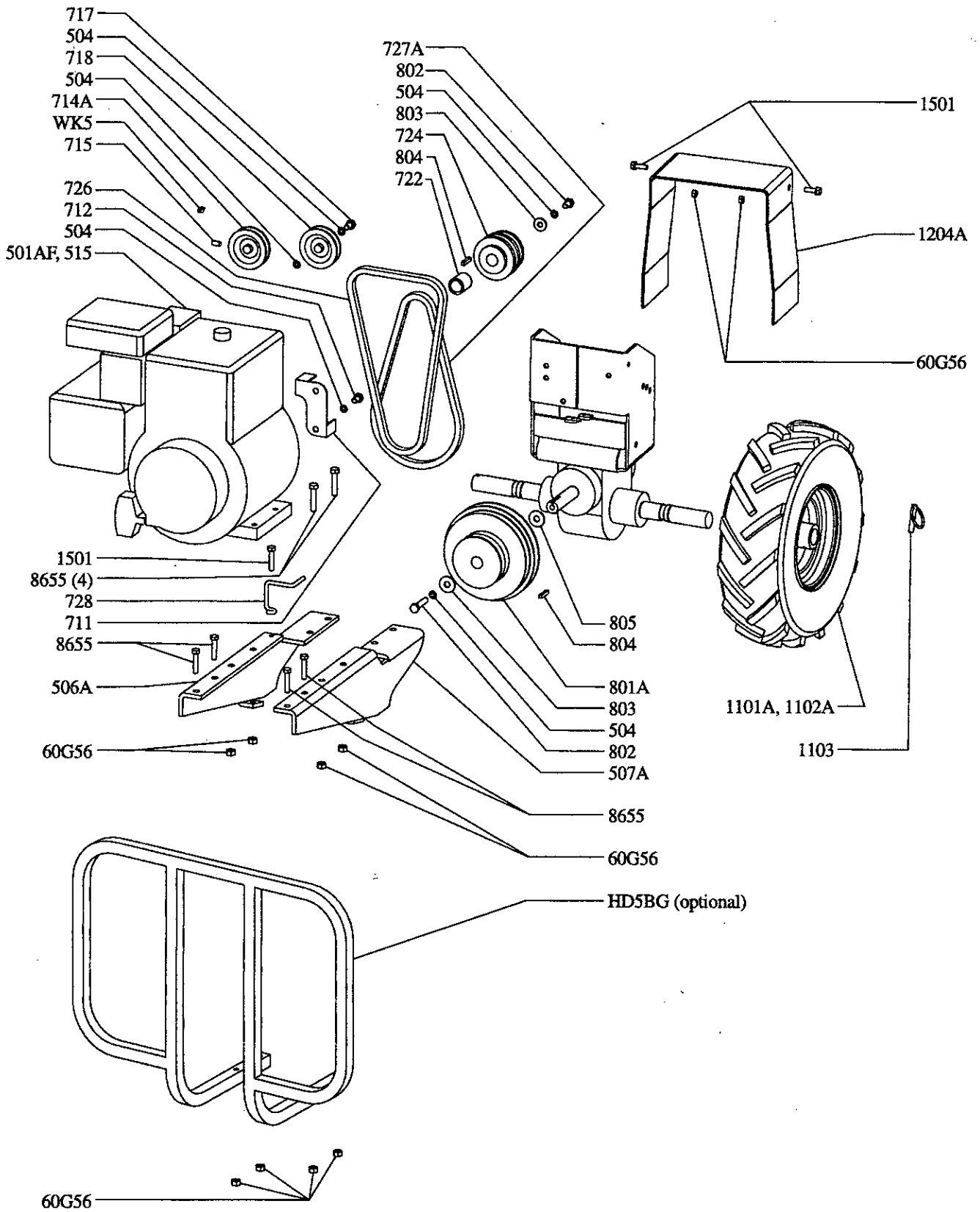
5050/5055 Tines & Hood Assembly



<u>Part #</u>	<u>Description</u>	<u>Qty.</u>
60G56	NUT, 5/16-18	2
394	BRACKET-Depth Regulator, Black, 2-holes	1
401CRT	DEPTH REGULATOR LEVER, Black, 4-holes	1
409	DETENT PIN, 5/16"	1
410	BOLT-Hex Flange Head, 5/16-18 x 1/2", Grade 5	2
415D	HOOD-Tiller, w/Side Shields, w/o Decals, Black	1
415R	HOOD-Tiller, w/Side Shields, w/o Decals, Red	1
417	BOLT-Hex Hd, 5/16-18 x 1/2", Grade 5	2
504	LOCKWASHER-Spring, 5/16"	2
509	BOLT-Hex Hd, 1/4-20 x 1/2"	2
719	LOCKWASHER-Spring, 3/8"	2
1501	BOLT-Hex Flange Head, 5/16-18 x 3/4"	6
1900LCRT	TINE SET, Left Side, Complete Assembly	1
1900RCRT	TINE SET, Right Side, Complete Assembly	1
2001	BOLT-Hex Hd, 3/8-16 x 1-3/4"	2
2003C	SLASHER TINE-Double End, Right Side, Black	3
2004C	SLASHER TINE-Double End, Left Side, Black	3
2102	BOLT-Hex Hd, 3/8-16 x 1", Grade 5	1
2104	LOCKNUT-Hex, 3/8-16	3
50600	DRAG BAR-Lower	1
50601	LINKAGE-Lower Drag Bar	1
LBL516AA	DECAL, Tine Hood (Operating Instructions)	1
LBL516E	DECAL, Tine Hood Flap (Tine Danger)	1



5050/5055 Motor Mount Assembly (2000)



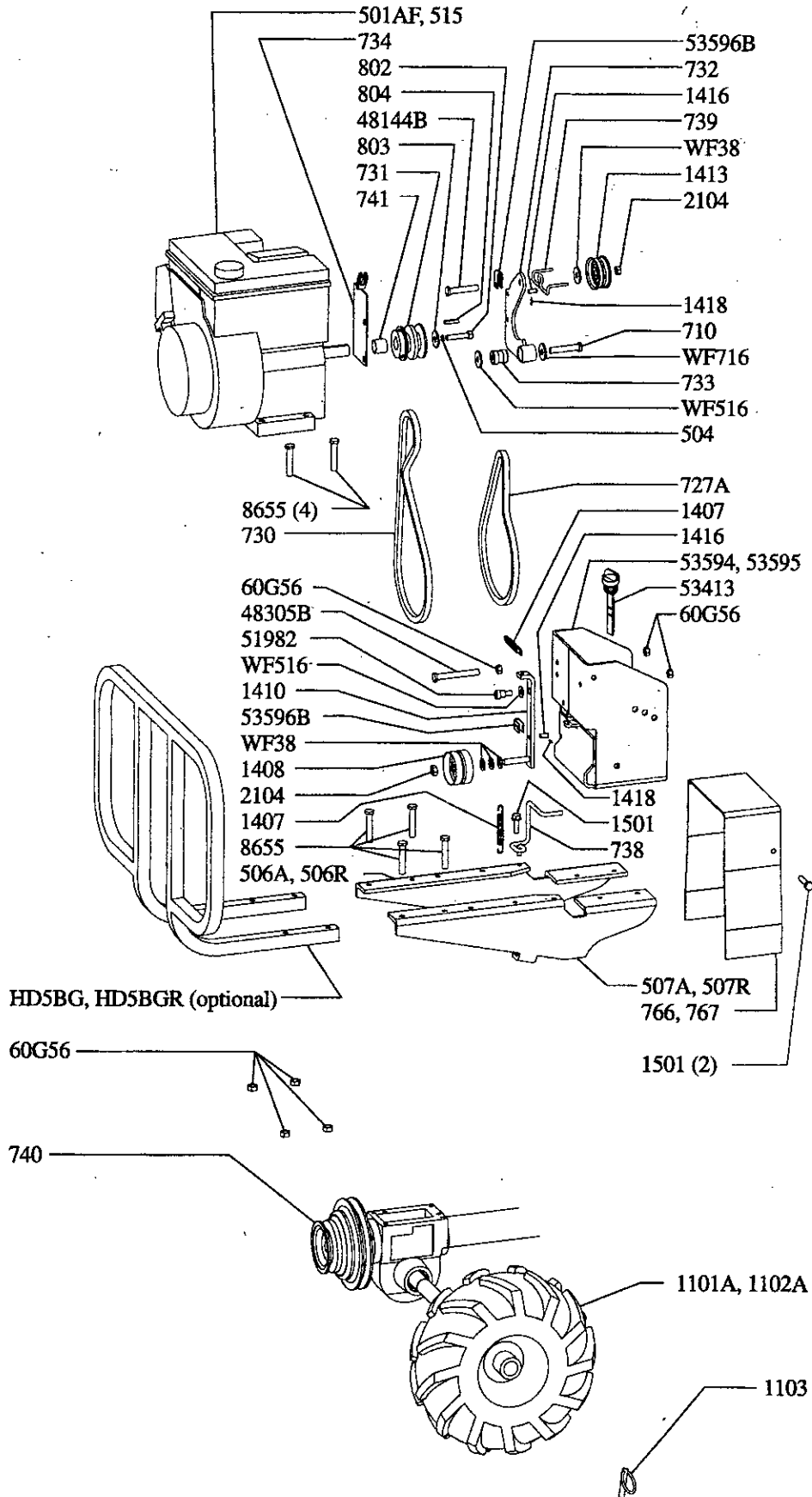
5050/5055 Motor Mount Assembly (2000)



Part #	Description	Qty.
60G56	NUT, 5/16-18	10
501AF	ENGINE-Tecumseh OHV, 5-hp (5050-5050GS)	1
504	LOCKWASHER-Spring, 5/16"	5
506A	BRACKET-Motor Mount, Right, Black	1
507A	BRACKET-Motor Mount, Left, Black	1
515	ENGINE-Tecumseh OHV, w/Extended Camshaft, 5.5-hp (5055-5055GS)	1
711	BELT GUIDE-Reverse	1
712	SCREW-Hex Hd Cap, 5/16-24 x 1/2"	1
714A	PULLEY-Engine, Reverse	1
715	SETSCREW, 1/4-20 x 1/4"	1
717	BOLT-Hex Hd, 5/16-24 x 1-3/4"	1
718	BELT GUIDE-Pulley, V-Groove	1
722	SPACER-Engine Pulley	1
724	PULLEY-Engine, Forward	1
726	BELT-Reverse	1
727A	BELT-Forward	1
728	BELT GUIDE-Forward	1
1204A	BELT GUARD, Black	1
801A	PULLEY, Transmission	1
802	BOLT-Hex Hd, 5/16-24 x 3/4", Grade 5	2
803	WASHER, 5/16" ID x 1-5/8" OD, Engine Pulley	2
804	KEY, 3/16" x 1"	2
805	FLAT WASHER, 11/16" ID, Transmission Pulley	1
1101A	WHEEL/TIRE ASSEMBLY, Left	1
1102A	WHEEL/TIRE ASSEMBLY, Right	1
1103	LOCKPIN	2
1501	BOLT-Hex Flange Hd, 5/16-18 x 3/4", Grade 5	3
2102	BOLT-Hex Hd, 3/8-16 x 1", Grade 5	2
8655	BOLT-Hex Hd, 5/16-18 x 1-3/4"	8
HD5BG	BUMPER GUARD, Black (Optional)	1
LBL516C	DECAL, Belt Cover (Warning)	1
LBL516F	DECAL, Bumper Guard (Free Hand Warning)	1
OIL05	OIL, One Quart 30W	
WK5	KEY-Woodruff, #5	1



5050/5055 Motor Mount Assembly (2001)



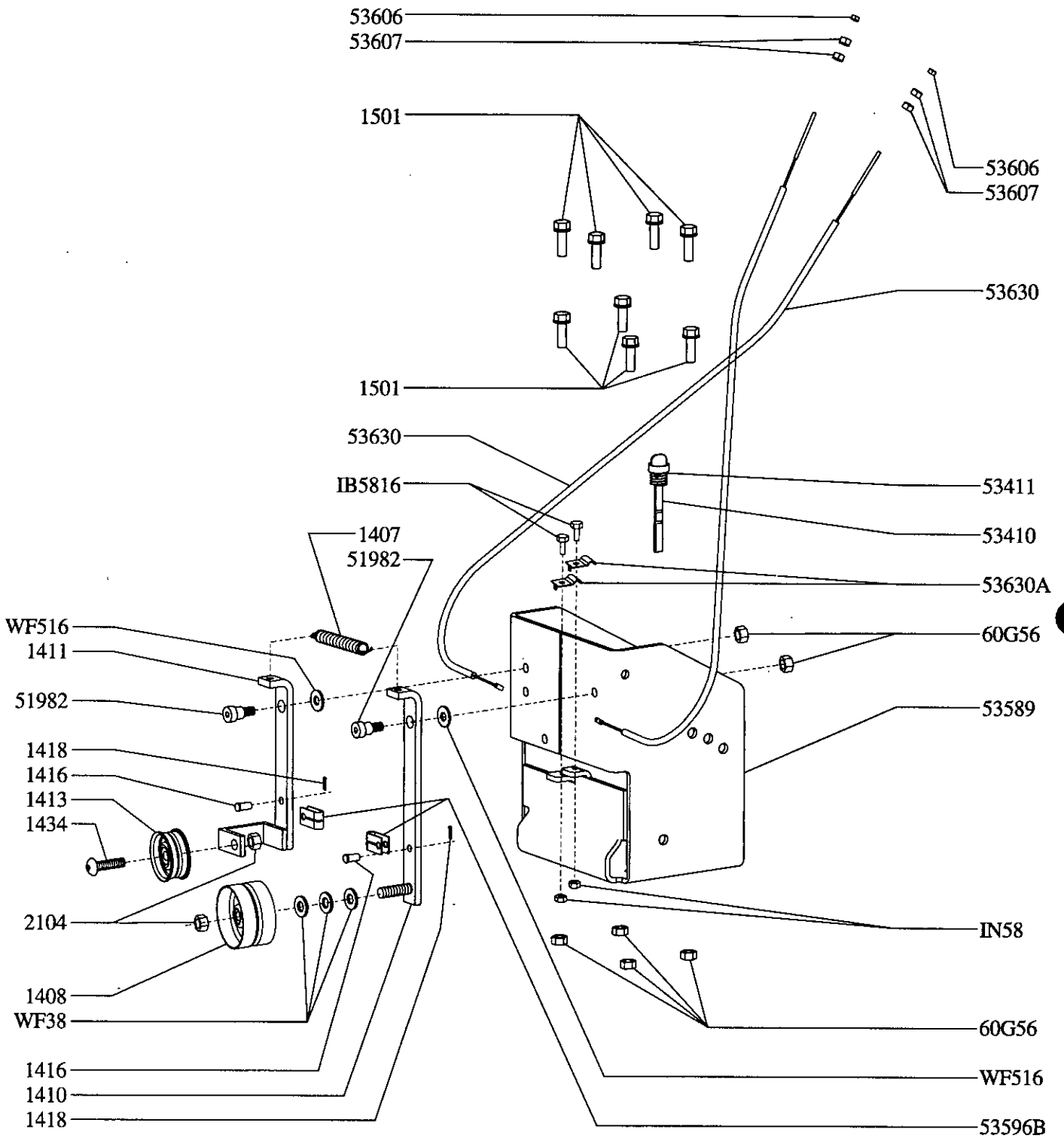


5050/5055 Motor Mount Assembly (2001)

<u>Part #</u>	<u>Description</u>	<u>Qty.</u>
60G56	NUT-Bi-Way Lock, 5/16-18	7
501AF	ENGINE, 5-hp Tecumseh Enduro (5050-5050GS)	1
504	LOCKWASHER-Spring, 5/16"	1
506A	BRACKET-Motor Mount, Right, Black	1
506R	BRACKET-Motor Mount, Right, Red	1
507A	BRACKET-Motor Mount, Left, Black	1
507R	BRACKET-Motor Mount, Left, Red	1
515	ENGINE, 5.5-hp Tecumseh OHV (5055-5055GS)	1
710	CAPSCREW-Flat Hd, 5/16-24 x 1-1/2"	1
727A	BELT-Forward	1
730	BELT-Reverse	1
731	PULLEY-2 Groove, Tecumseh Engine	1
732	PIVOT ARM	1
733	PIVOT-Pivot Arm	1
734	BRACKET-Engine	1
738	BELT GUIDE-Forward	1
739	BELT GUIDE-Reverse	1
740	PULLEY-2 Groove, Transmission	1
741	SPACER-Engine	1
766	BELT COVER, Black	1
767	BELT COVER, Red	1
802	BOLT-Hex Hd, 5/16-24 x 3/4", Grade 5	1
803	WASHER, 5/16" ID x 1-5/8" OD, Engine Pulley	1
804	KEY, 3/16 x 1"	1
1101A	WHEEL/TIRE ASSEMBLY, Left	1
1102A	WHEEL/TIRE ASSEMBLY, Right	1
1103	LOCKPIN	2
1407	SPRING-Idler Arm	2
1408	PULLEY-Forward Idler	1
1410	IDLER ARM-Forward	1
1413	PULLEY-Reverse Idler	1
1416	LINK PIN-Forward/Reverse	2
1418	COTTER PIN	2
1439	WASHER, 1/4" ID	2
1501	BOLT-Hex Flange Head, 5/16-18 x 3/4", Grade 5	3
2104	NUT-Hex, 3/8-16	2
8655	BOLT-Hex Hd, 5/16-18 x 1-3/4"	8
48144B	BOLT-HHCS, 3/8-16 x 2", Grade 5, Black Zinc	1
48305B	BOLT-HHCS, 5/16-18 x 3-1/2", Grade 5, Black Zinc	1
51982	BOLT-Soc Hd Shoulder, 3/8-16 x 3/8"	1
53413	DIPSTICK	1
53594	FRONT COVER PLATE & HANDLEBAR MOUNT, Black	1
53595	FRONT COVER PLATE & HANDLEBAR MOUNT, Red	1
53596B	CABLE YOKE	2
HD5BG	BUMPER GUARD, Black (Optional)	1
HD5BGR	BUMPER GUARD, Red (Optional)	1
LBL516C	DECAL, Belt Cover (Warning)	1
LBL516F	DECAL, Bumper Guard (Free Hand Warning)	1
OIL05	OIL, One Quart 30W	
WF38	WASHER-Flat, 3/8"	4
WF516	WASHER-Flat, 5/16"	2
WF716	WASHER-Flat, 7/16"	1



5050/5055 Shift Mech Assembly (2000)



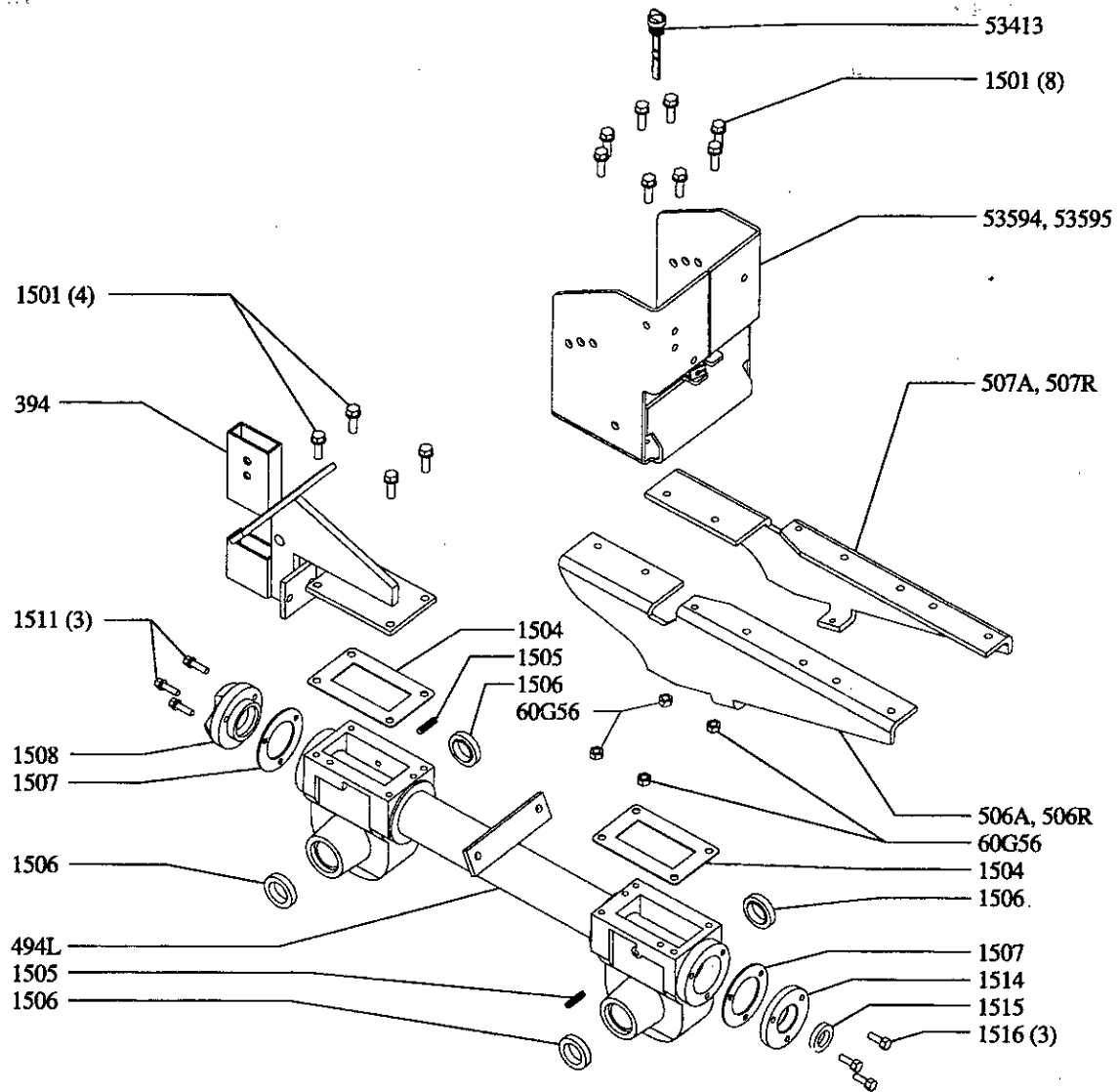
5050/5055 Shift Mech Assembly (2000)



<u>Part #</u>	<u>Description</u>	<u>Qty.</u>
60G56	NUT-Bi-Way Lock, 5/16-18	6
1407	SPRING-Idler Arm	1
1408	PULLEY-Forward Idler	1
1410	IDLER ARM-Forward	1
1411	IDLER ARM-Reverse	1
1413	PULLEY-Reverse Idler	1
1416	LINK PIN-Forward/Reverse	2
1418	COTTER PIN	2
1434	SCREW-Button Hd Cap, 3/8-16 x 1-1/2"	1
1501	BOLT-Hex Flange Hd, 5/16-18 x 3/4"	8
2104	NUT-Hex, 3/8-16	2
51982	BOLT-Soc Hd Shoulder, 3/8-16 x 3/8"	2
53410	DIPSTICK s/n <14200	1
53411	O-RING, Dipstick s/n <14200	1
53589	FRONT COVER PLATE & HANDLEBAR MOUNT, w/Filler Tube	1
53596B	CABLE YOKE	2
53606	NUT-Nyloc, #10	2
53607	NUT-Jam, 5/16-24	4
53630	CABLE ASSEMBLY	2
53630A	CABLE CLAMP	2
IB5816	BOLT-Hex Hd, 5mm X 0.8mm X 16mm	2
IN58	NUT-Nyloc, 5mm x 0.8mm	2
WF38	WASHER-Flat, 3/8"	3
WF516	WASHER-Flat, 5/16"	2

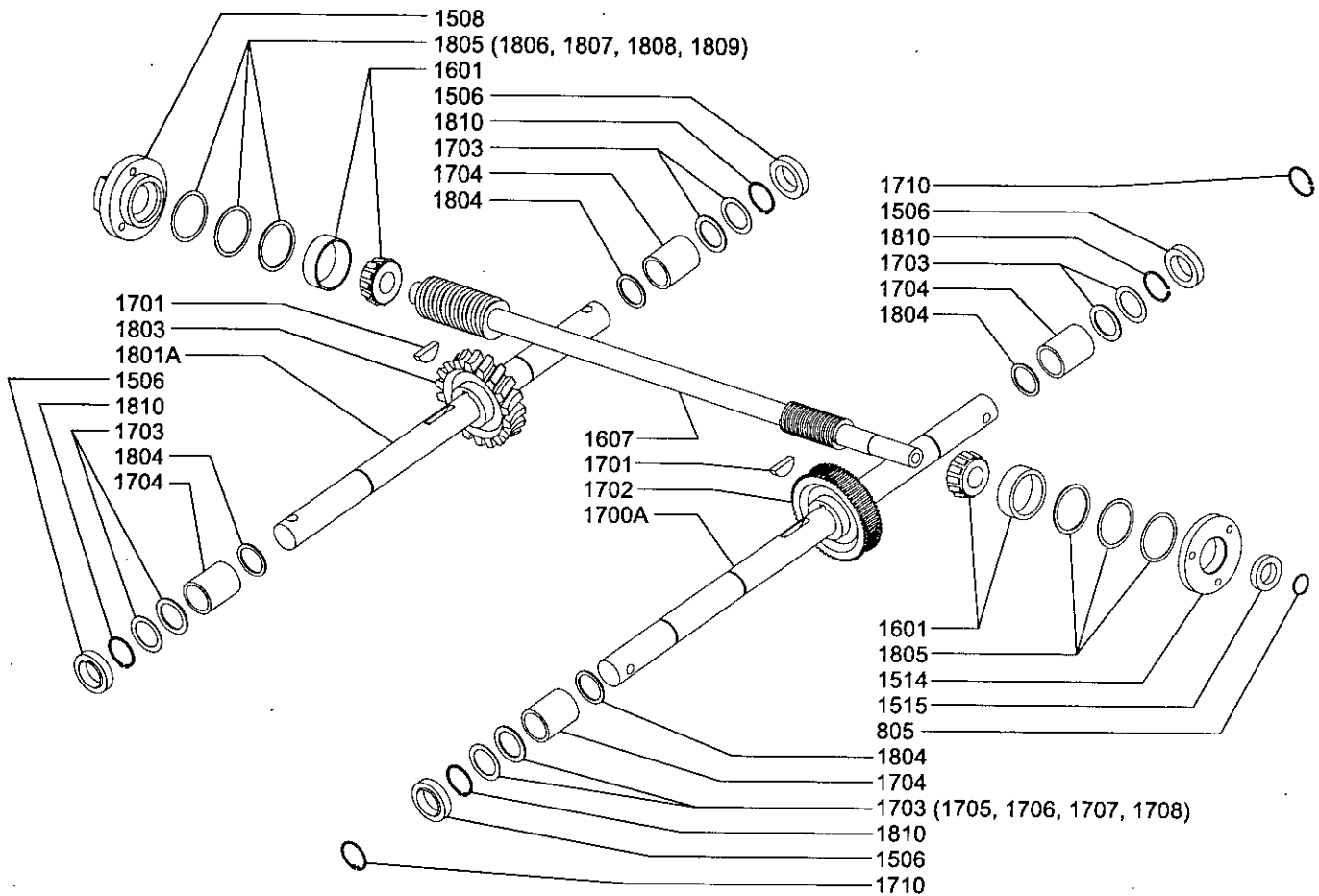


5050/5055 Transmission Assembly



Part #	Description	Qty.
60G56	NUT-Bi-Way Lock, 5/16-18	4
394	BRACKET-Depth Regulator, Black, 2-holes	1
494L	TILLER TRANSMISSION CASTING	1
506A	BRACKET-Motor Mount, Right, Black	1
506R	BRACKET-Motor Mount, Right, Red	1
507A	BRACKET-Motor Mount, Left, Black	1
507R	BRACKET-Motor Mount, Left, Red	1
1500CRT	TRANSMISSION ASSEMBLY, Black, Lockpin (Replacement Only)	1
1501	BOLT-Hex Flange Hd, 5/16-18 x 3/4", Grade 5	12
1504	GASKET-Tiller Housing & Transmission Cover	2
1505	PIPE PLUG-Soc Hd, 1/4-18, Oil Level	2
1506	SEAL-Tiller Housing	4
1507	GASKET-Front Rear Bearing Cap	2
1508	CAP-Rear Bearing, Black	1
1511	BOLT-Hex Flange Hd, 1/4-20 x 7/8"	3
1514	CAP-Front Bearing, Black	1
1515	OIL SEAL-Drive Shaft	1
1516	BOLT-Hex Flange Hd, 1/4-20 x 3/4"	3
1517	KIT-Oil Seal Gasket (Includes two #1504, four #1506, two #1507, one #1515)	1
1690	TRANSMISSION LUBE 00, 1 Qt.	1
53413	DIPSTICK	1
53594	FRONT COVER PLATE & HANDLEBAR MOUNT, Black	1
53595	FRONT COVER PLATE & HANDLEBAR MOUNT, Red	1

5050/5055 Wheel & Tiller Shaft Assembly



<u>Part #</u>	<u>Description</u>	<u>Qty.</u>
1506	SEAL-Tiller Housing	4
1508	CAP-Rear Bearing	1
1515	OIL SEAL-Drive Shaft	1
1600LC	MAIN DRIVE SHAFT, LH	1
1601	BEARING-Tapered (Includes Cone & Race)	2
1700A	WHEEL SHAFT ASSEMBLY, Lockpin	1
1701	KEY, 1/4" x 1"	2
1702	GEAR-Worm, Brass, 61 Tooth, Wheel Shaft	1
1703	SHIM SET-Axle Spacer Kit	4
1704	BUSHING	4
1705	SHIM, 1.375 OD x .062" thick, (as req'd.)	
1706	SHIM, 1.375 OD x .030" thick, (as req'd.)	
1707	SHIM, 1.375 OD x .015" thick, (as req'd.)	
1708	SHIM, 1.375 OD x .010" thick, (as req'd.)	
1710	SNAP RING-Retainer, External	2
1801A	TILLER SHAFT ASSEMBLY	1
1803C	GEAR-Worm, Brass, 30 Tooth, LH, Tiller Shaft	1
1804	SPACER, 1.250" x 1.000" x .062" thick	4
805	SHIM SET-Rear Bearing Cap	1
1806	SHIM, 1.750 OD x .062" thick, (as req'd.)	
1807	SHIM, 1.750 OD x .030" thick, (as req'd.)	
1808	SHIM, 1.750 OD x .015" thick, (as req'd.)	
1809	SHIM, 1.750 OD x .010" thick, (as req'd.)	
1810	SNAP RING-Retainer, Internal	4