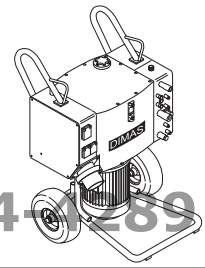


DIMAS

ConstructionParts.com

888-634-4289



IPL, DIMAS PP350E, 2003-51, 531 14 20-85

DIMAS PP 350 E

Reservdelar

Spare parts

Ersatzteile

Pieces de rechange

Piezas de repuesto

Ricambi

Peças
sobresselente

ConstructionParts.com

ConstructionParts.com

888-634-4289

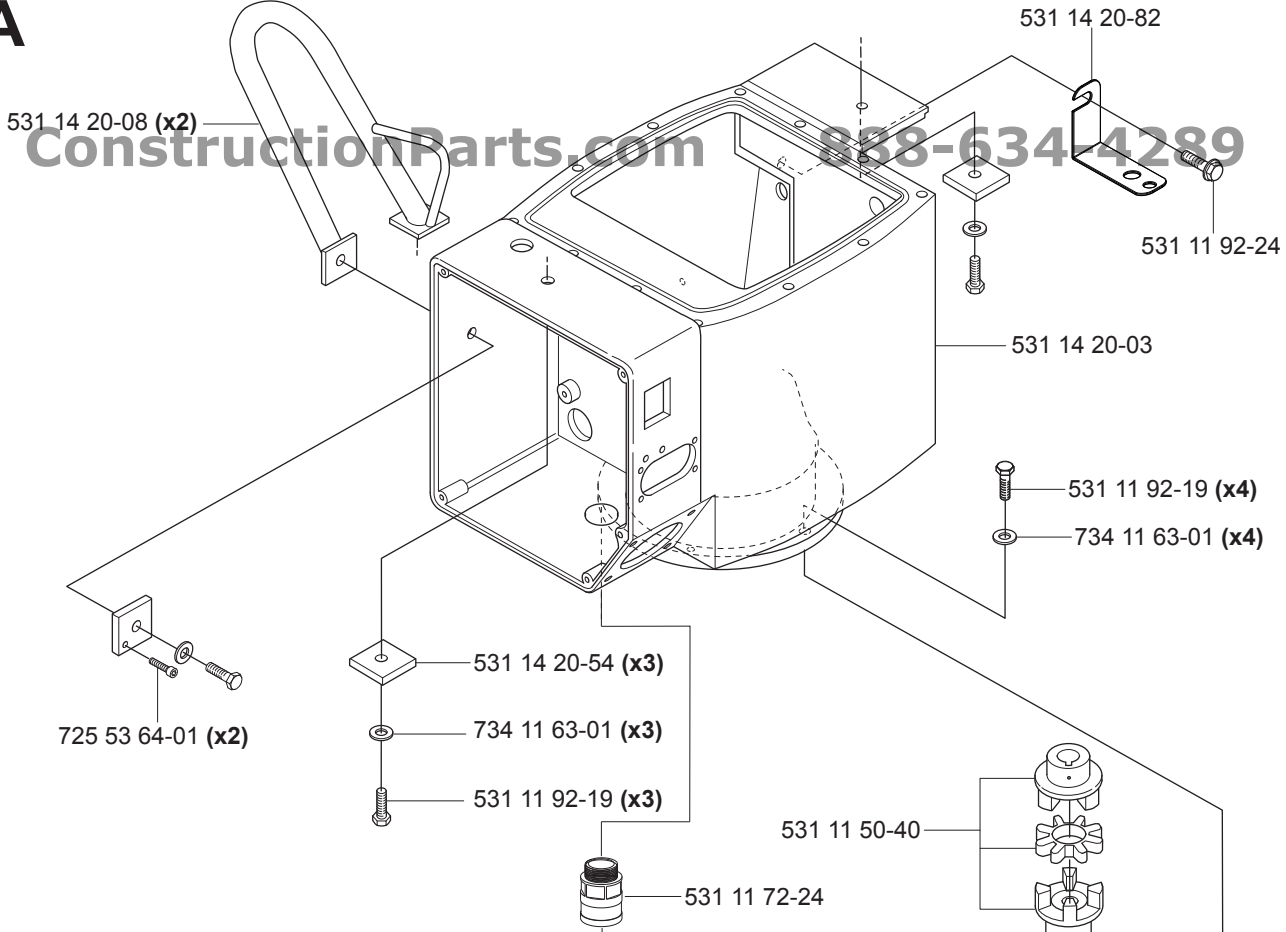
531 14 20-85

DIMAS

No.□	Pos.□	Description	No.□	Pos.□	Description
531 11 50-12	G□	Can bus cable 6m	531 11 81-27	F□	Pilot controlled differential valve
531 11 50-19	B□	Coller cpl 25kW	531 11 81-28	F□	Pilot controlled differential valve
531 11 50-20	C□	Water valve	531 11 81-29	B□	Cutting ring D22L
531 11 50-40	A□	Shaft coupling compl	531 11 81-30	F□	Electromagnetic water valve
531 11 50-43	DE□	Electric plate compl	531 11 81-32	B□	Hydraulic coupling
531 11 51-22	DE□	Electric plate compl (No)	531 11 81-33	B□	Hydraulic coupling
531 11 70-34	CG□	Cannon connector	531 11 81-37	F□	Transducer
531 11 70-37	G□	Display	531 11 81-38	B□	Banjo
531 11 70-38	E□	Double phase dequence sensor	531 11 81-40	B□	Check valve
531 11 70-54	E□	Auxiliary contact	531 11 81-42	B□	Filter insert
531 11 70-55	E□	Auxiliary contact	531 11 81-76	D□	Nut M26x1,5
531 11 70-56	E□	Main connectors 43A KIT	531 11 81-84	B□	Hose
531 11 70-57	E□	Main connectors 43A KIT	531 11 81-88	B□	Cutting nut M10L
531 11 70-59	D□	Electric inlet point 63A 380V	531 11 81-89	B□	Cutting nut M22L
531 11 70-67	G□	Connection block NO	531 11 81-90	F□	Hose
531 11 70-68	E□	Contactora	531 11 82-19	C□	Quick coupling
531 11 70-74	E□	Motor overload protector	531 11 82-20	C□	Adapter
531 11 70-94	D□	Emergency stop cpl	531 11 82-33	C□	Pressure relief valve
531 11 70-96	G□	Potentiometer remote control	531 11 82-54	F□	Pressure transducer filter
531 11 70-97	C□	Potentiometer knob	531 11 82-57	F□	Pressure reducing valve SV08
531 11 71-00	E□	Terminal block	531 11 82-60	B□	Hydraulic pump
531 11 71-01	E□	Terminal block	531 11 90-07	A□	Wheel
531 11 71-02	E□	Relay 12V	531 11 90-08	B□	Ventilation hose
531 11 71-31	D□	Extension socket	531 11 90-18	D□	Spacer
531 11 71-40	D□	Transformer	531 11 90-30	B□	Air filter
531 11 71-43	G□	Push-button	531 11 90-31	A□	Rubber plug
531 11 71-45	E□	Varistor	531 11 90-90	A□	Spacer
531 11 71-52	D□	Electric inlet point 32A 400V	531 11 91-26	G□	Strap
531 11 71-54	D□	Socket 230V double	531 11 91-27	E□	Link
531 11 71-59	G□	Gasket	531 11 91-31	B□	Hose clamp
531 11 71-67	D□	Cover	531 11 91-33	C□	O-ring string 181x1,78
531 11 71-68	E□	Mechanical interlock	531 11 91-34	B□	O-ring string 1130x6
531 11 71-69	E□	Socket	531 11 91-81	AB□	Washer 10,5x22
531 11 71-73	E□	End plate	531 11 91-85	CD□	Sealing ring 1/2"
531 11 71-74	E□	End support	531 11 91-87	BD□	Sealing ring M26
531 11 71-91	A□	Flexible tube	531 11 91-98	A□	Screw M6S 10x25
531 11 71-93	A□	Nut nylon GMN-21	531 11 92-02	A□	Screw M6S 12x25
531 11 71-97	A□	Sealing	531 11 92-19	A□	Screw M6S 8x30
531 11 72-08	D□	Personal safety guard	531 11 92-24	A□	Screw M6SF 8x20
531 11 72-20	E□	Automatic fuse 4A	531 11 92-29	B□	Screw M6SF 5x22
531 11 72-24	A□	Cable grommet	531 11 92-32	B□	Screw MC6S 6x14
531 11 72-25	A□	Cable grommet 90	531 11 92-33	C□	Screw MC6S 6x160
531 11 72-30	F□	Main board	531 11 92-68	B□	O-ring 22,3x2,4
531 11 72-31	G□	Control board	531 11 92-74	C□	O-ring 29,2x3
531 11 72-41	A□	Electric motor 400V	531 11 92-93	B□	O-ring 80x1,6
531 11 72-49	A□	Electric motor 230V	531 11 92-99	A□	Wedge PK 10x8x30
531 11 72-51	G1□	Emergency stop cpl	531 11 93-41	BF□	Plug VSTI R1/4"
531 11 72-53	G1□	Battery pack	531 11 93-49	B□	Sealing ring 44,45
531 11 72-54	G1□	Charger	531 11 93-53	B□	Screw MLC6S 6x12
531 11 80-03	C□	Hydraulic coupling	531 11 93-54	B□	O-ring 63x2
531 11 80-05	C□	Nipple	531 11 93-85	FG1□	Spacer mainboard
531 11 80-23	B□	Cutting ring D10L	531 11 93-89	D□	Screw MLC6S 5x10
531 11 80-25	B□	Cutting ring D15L	531 14 10-86	C□	Plug
531 11 80-41	C□	Hydraulic coupling	531 14 11-22	D□	Hinge
531 11 80-42	C□	Hydraulic coupling	531 14 11-50	D□	Gasket
531 11 80-45	C□	Hydraulic coupling	531 14 11-67	B□	Ventilation hose nipple
531 11 80-46	C□	Hydraulic coupling	531 14 11-68	B□	Ventilation nipple
531 11 80-51	D□	Level gauge	531 14 11-90	H□	Electric data label
531 11 80-56	B□	Hydraulic coupling	531 14 12-05	H□	Sign flash
531 11 80-68	B□	Cutting nut M15L	531 14 12-11	H□	Sign drain cooler
531 11 81-13	D□	Magnetic plug	531 14 12-34	H□	Varning sign
531 11 81-18	C□	Nipple	531 14 20-02	F□	Main block
531 11 81-19	F□	Water coupling	531 14 20-03	A□	Head
531 11 81-20	F□	Water coupling	531 14 20-04	A□	Bearing cover
531 11 81-21	F□	Water coupling	531 14 20-05	D□	Cover
531 11 81-22	F□	Pressure reducing valve	531 14 20-06	C□	Cover
531 11 81-23	F□	Load retaining valve	531 14 20-07	B□	Tank cover
531 11 81-24	F□	Directional valve	531 14 20-08	A□	Handle
531 11 81-25	F□	Flow valve	531 14 20-09	B□	Filter bracket
531 11 81-26	F□	Flow valve	531 14 20-10	B□	Screw attachment

No.□	Pos.□	Description	No.□	Pos.□	Description
531 14 20-11□	G□	Control plate	740 38 18-01□	CDF□	Sealing ring 1/8
531 14 20-12□	G□	Potentiometer knob	740 38 27-01□	CF□	Sealing ring 1/4
531 14 20-13□	G□	Potentiometer nut	740 38 34-01	B	Sealing ring 3/8
531 14 20-15□	A□	Carriage	740 42 11-00	B	O-ring 13,1x1,6
531 14 20-18□	B□	Pressure block	740 42 14-00	C	O-ring 16,1x1,6
531 14 20-19□	B□	Suction block	740 42 17-00	G	O-ring 19,1x1,6
531 14 20-20□	B□	Pressure block	740 43 13-00	B	O-ring 15,3x2,4□
531 14 20-21□	B□	Cooler connection	740 44 04-00	BC	O-ring 19,2x3
531 14 20-23□	D□	Cable tubing	740 44 12-00	C	O-ring 39,2x3
531 14 20-24□	A□	Control board cover			
531 14 20-25□	C□	Nipple			
531 14 20-26□	C□	Nipple			
531 14 20-27□	F□	Electronic box cover			
531 14 20-28□	D□	Fuse holder			
531 14 20-29□	E□	Electric plate compl			
531 14 20-32□	B□	Filter housing			
531 14 20-41□	B□	Ventilation block			
531 14 20-42□	B□	Pressure pipe			
531 14 20-43□	B□	Suction pipe			
531 14 20-45□	B□	Pressure pipe			
531 14 20-47□	B□	Splash plate			
531 14 20-51□	G□	Display label			
531 14 20-52□	B□	Oil filter cap			
531 14 20-53□	B□	Oil armatures			
531 14 20-54□	A□	Support washer			
531 14 20-55□	D□	Transformer bracket			
531 14 20-56□	H□	Dimas label			
531 14 20-62□	G□	Remote box			
531 14 20-71□	H□	Sound label			
531 14 20-77□	F□	Hose pressure transducer filter			
531 14 20-79□	F□	Hose pressure transducer filter			
531 14 20-80□	D□	Transformer module			
531 14 20-82□	A□	Gauge bracket			
531 14 20-83□	D□	Electric inlet bracket			
531 14 20-84□	F□	Watertube			
531 14 20-86□	H□	Warningsign Radio			
531 14 20-88□	FG1□	Radioboard			
531 14 20-90□	G1□	Antenna			
531 14 20-92□	G1□	Chargercable			
722 78 25-03□	D□	Blind rivet 3,2x10 Al/Al			
723 12 20-01□	DF□	Screw MCS 3x6			
723 12 24-01□	CG□	Screw MCS 3x10			
723 12 87-01□	C□	Screw MCS 4x8			
723 12 91-01□	D□	Screw MCS 4x12			
723 13 25-01□	B□	Screw MCS 5x10			
723 13 28-01□	E□	Screw MCS 5x14			
723 13 31-01□	D□	Screw MCS 5x20			
723 52 22-01□	D□	Screw MFS 3x8			
723 52 28-01□	G□	Screw MFS 3x16			
723 52 89-01□	F□	Screw MFS 4x10			
723 52 92-01□	D□	Screw MFS 4x14			
725 53 31-01□	A□	Screw MC6S 5x20			
725 53 64-01□	A□	Screw MC6S 6x10			
725 53 66-01□	B□	Screw MC6S 6x12			
725 53 68-01□	ACD□	Screw MC6S 6x16			
725 53 70-01□	B□	Screw MC6S 6x20			
725 53 78-01□	B□	Screw MC6S 6x40			
725 54 93-01□	B□	Screw MC6S 10x25			
725 63 66-51□	CD□	Screw MF6S 6x12			
725 63 68-51□	D□	Screw MF6S 6x16 10.9			
725 63 70-51□	D□	Screw MF6S 6x20 10.9			
731 23 10-01□	G1□	Nut M3			
731 23 16-01□	CD□	Nut M6			
731 23 18-01□	A□	Nut M8			
731 23 20-01□	A□	Nut M10			
732 25 12-01□	D□	Nut M4			
734 11 46-01□	ACDE□	Washer 5,3x10x1			
734 11 52-01□	ACD□	Washer 6,4x12			
734 11 63-01□	A□	Washer 8,4x16			
740 38 08-01□	BC□	Sealing ring M6			

A



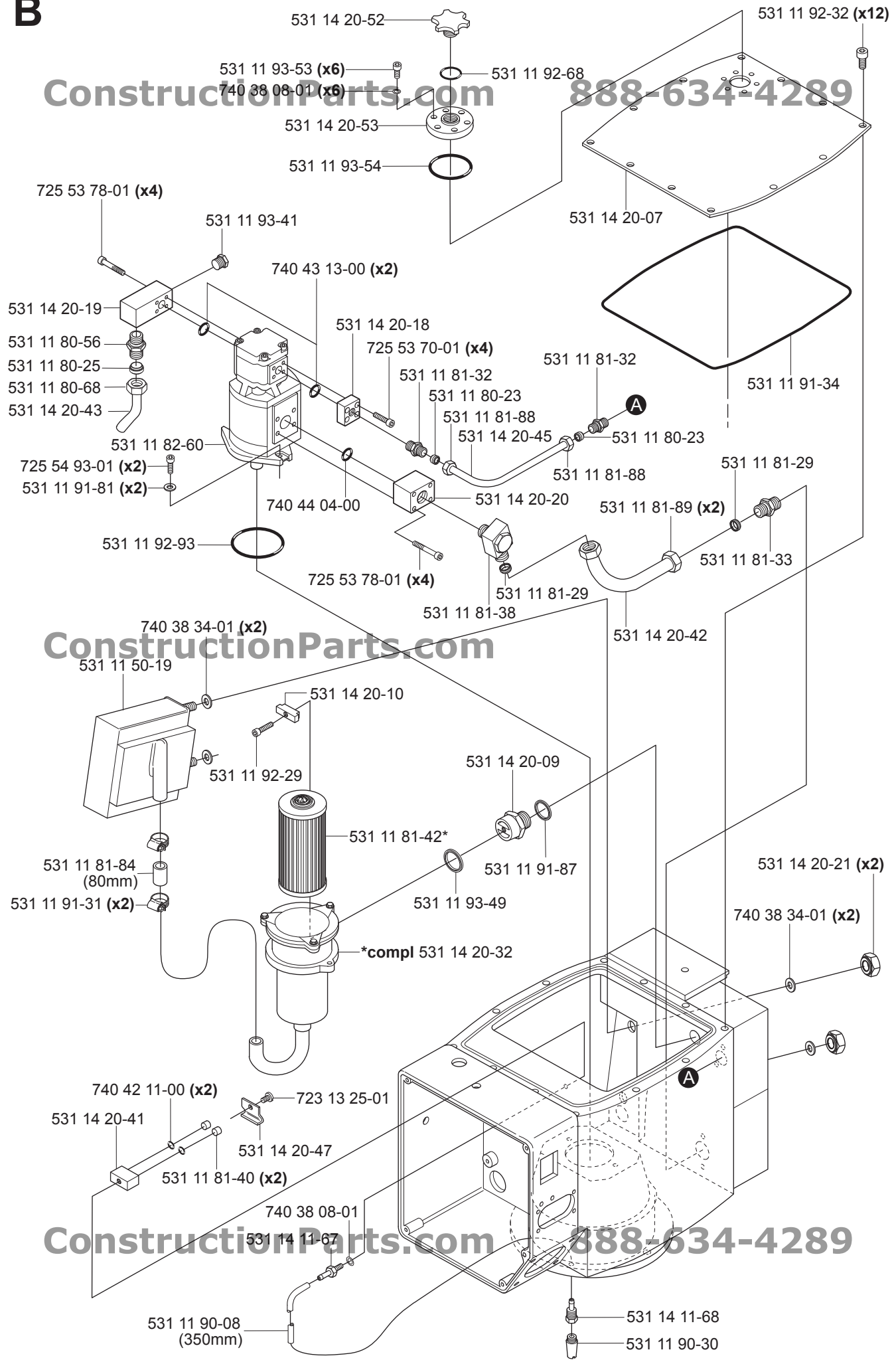
ConstructionParts.com

ConstructionParts.com

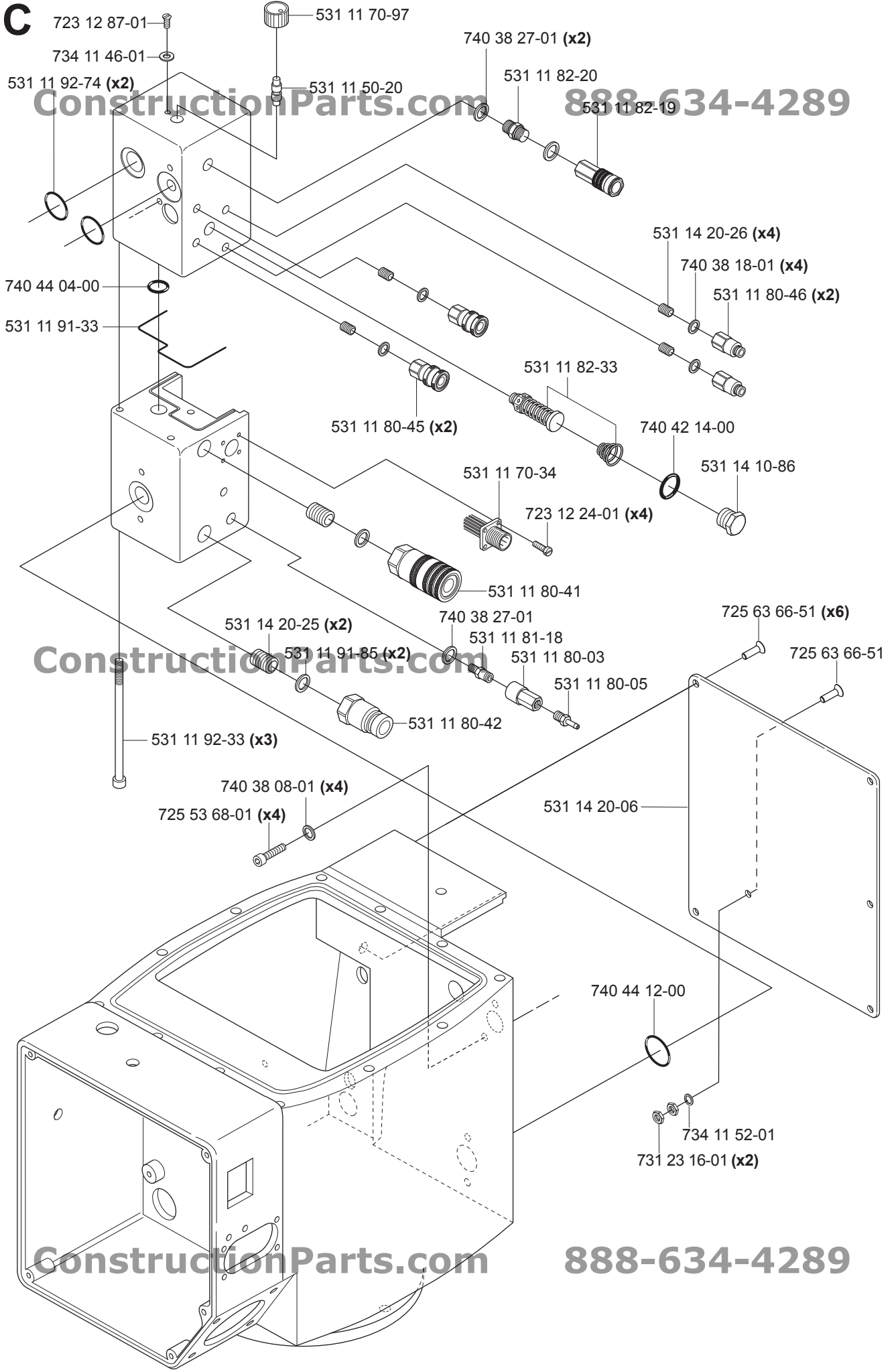
888-634-4289

888-634-4289

B



C



ConstructionParts.com 888-634-4289

ConstructionParts.com

ConstructionParts.com 888-634-4289

D

compl 531 11 50-43
compl 531 11 51-22 (No)

**compl 531 11 70-94

A

ConstructionParts.com 888-634-4289

725 63 68-51

734 11 52-01 (x3)

725 53 68-01 (x3)

**

**

**

*

740 38 18-01 (x2)

531 11 91-87

531 14 20-23

*compl 531 11 80-51

725 63 66-51 (x5)

734 11 52-01

731 23 16-01 (x2)

531 11 91-87

531 11 81-76

531 14 20-05

725 63 68-51

723 12 20-01 (x4)

531 14 20-55

531 14 20-80

531 11 71-40

723 52 22-01 (x4)

723 12 20-01 (x4)

531 11 90-18 (x4)

732 25 12-01 (x2)

531 14 20-83 (not NO)

734 11 46-01 (x2)

723 13 31-01 (x2)

531 11 91-85

531 11 81-13

531 11 71-54

531 11 71-52

531 11 70-59 (NO 63Amp)

531 11 71-31 (AUS)

734 11 52-01 (x4) (NO)

725 53 68-01 (x4) (NO)

531 11 93-89 (x4)

ConstructionParts.com 888-634-4289

531 14 20-28

531 11 72-08

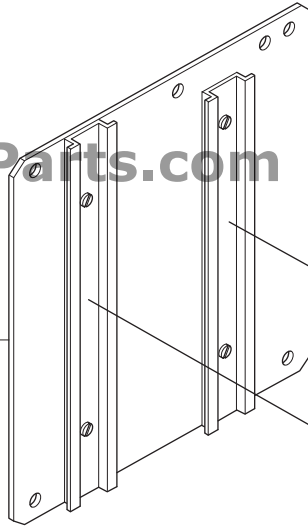
E

compl 531 11 50-43
531 11 51-22 (No)

ConstructionParts.com

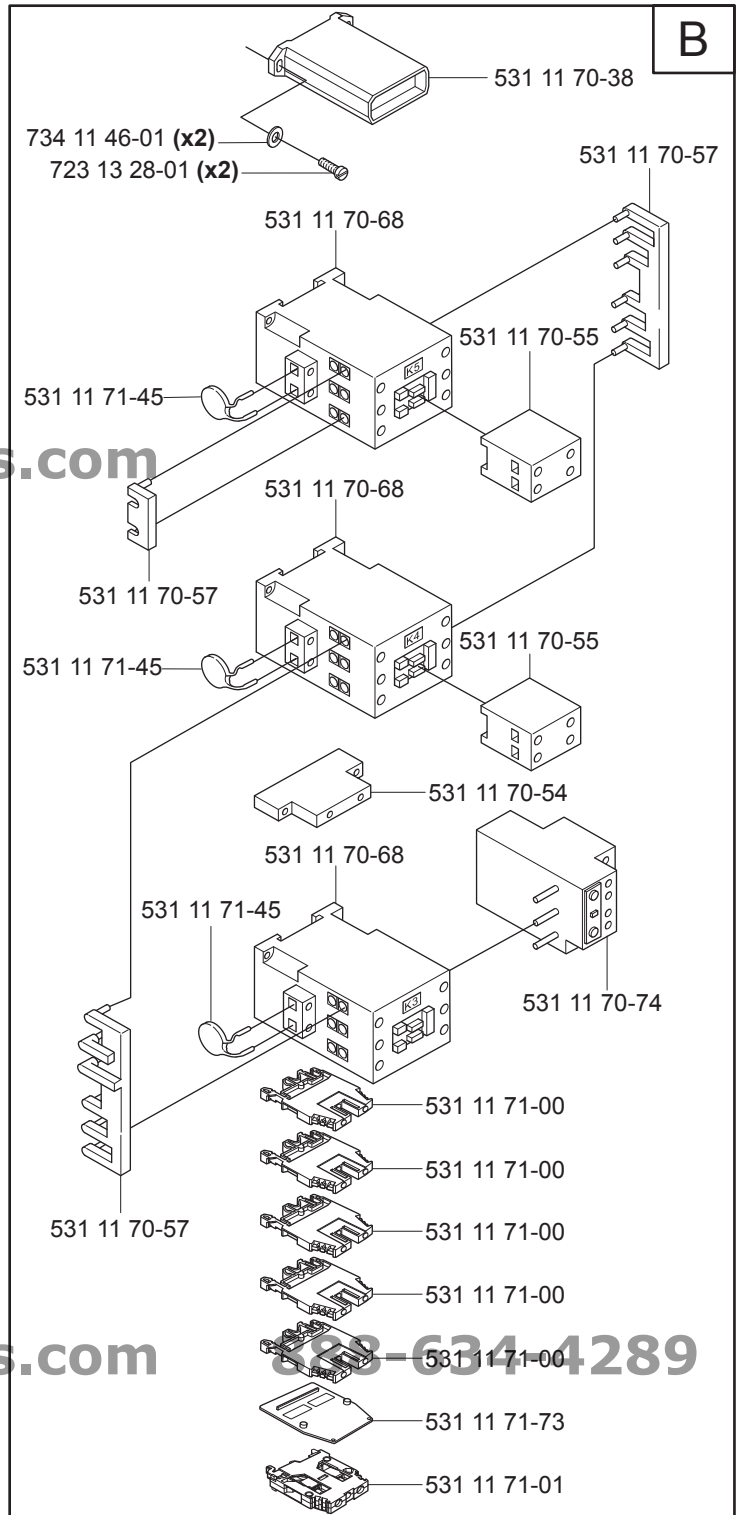
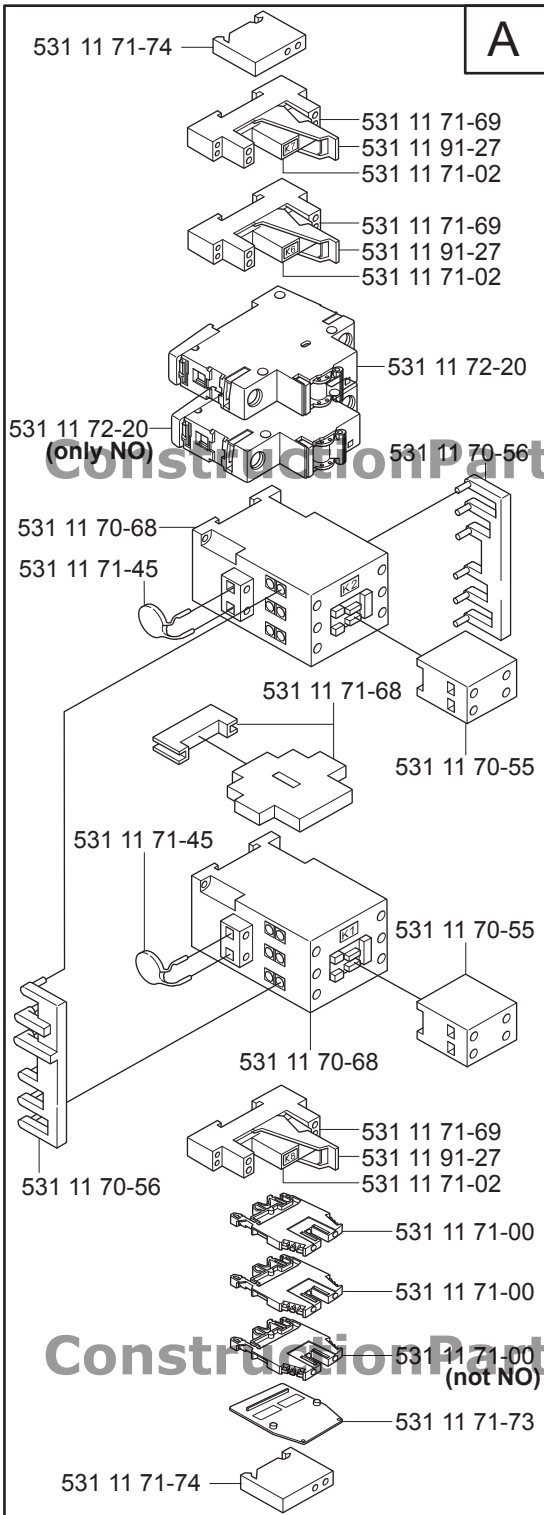
888-634-4289

531 14 20-29



A

B



ConstructionParts.com

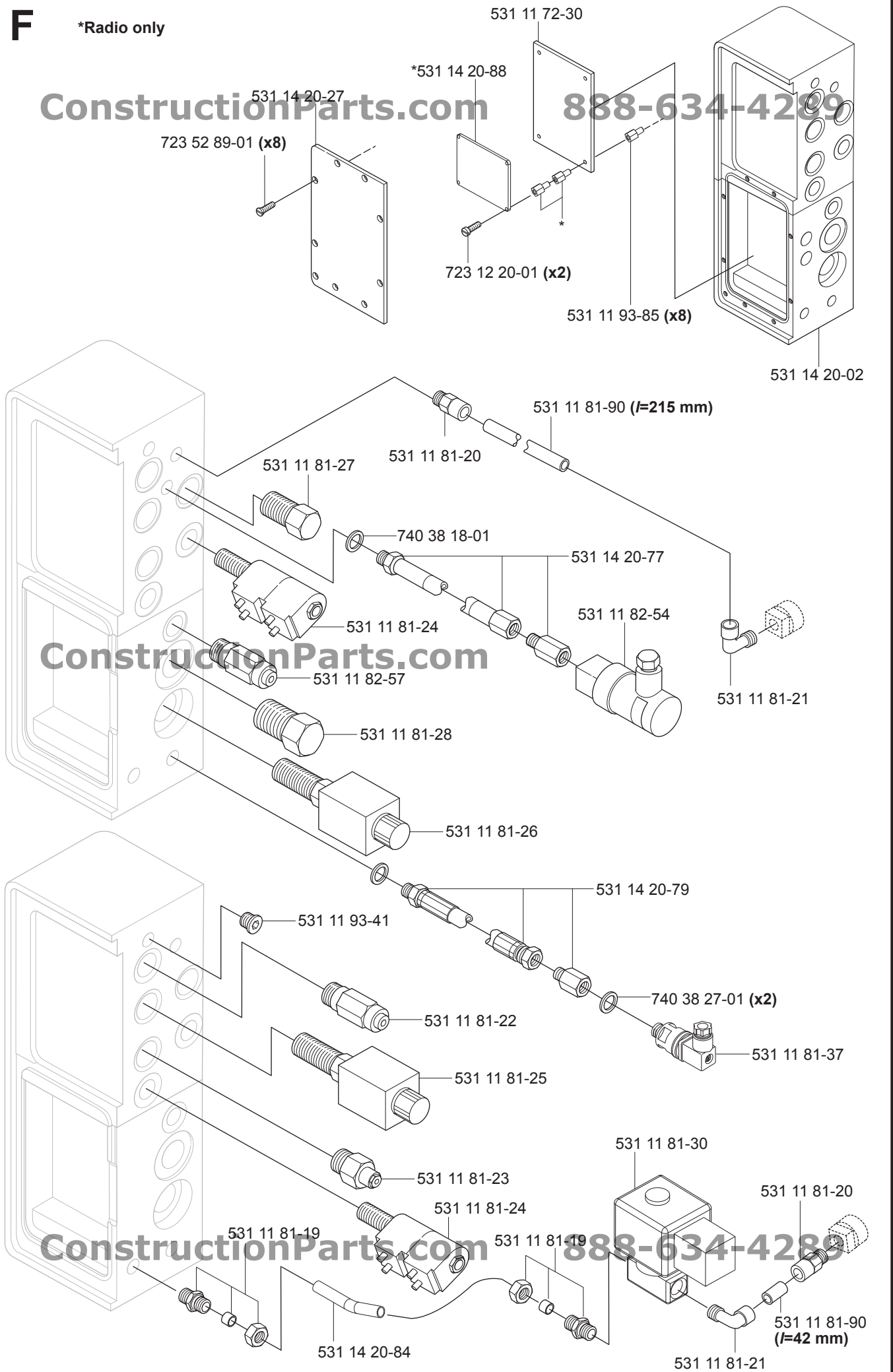
888-634-4289

F

*Radio only

ConstructionParts.com

888-634-4289

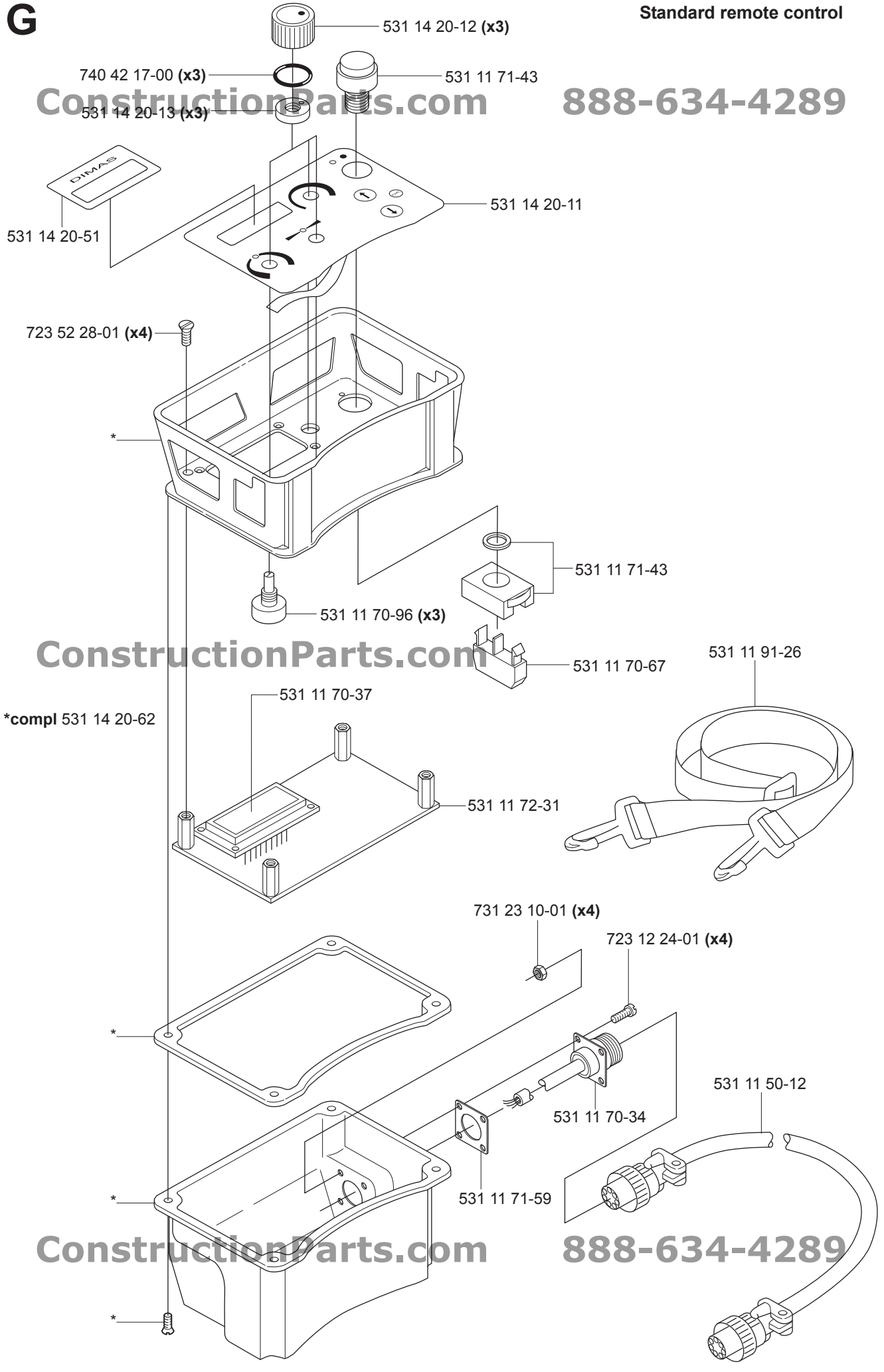


G

Standard remote control

ConstructionParts.com

888-634-4289

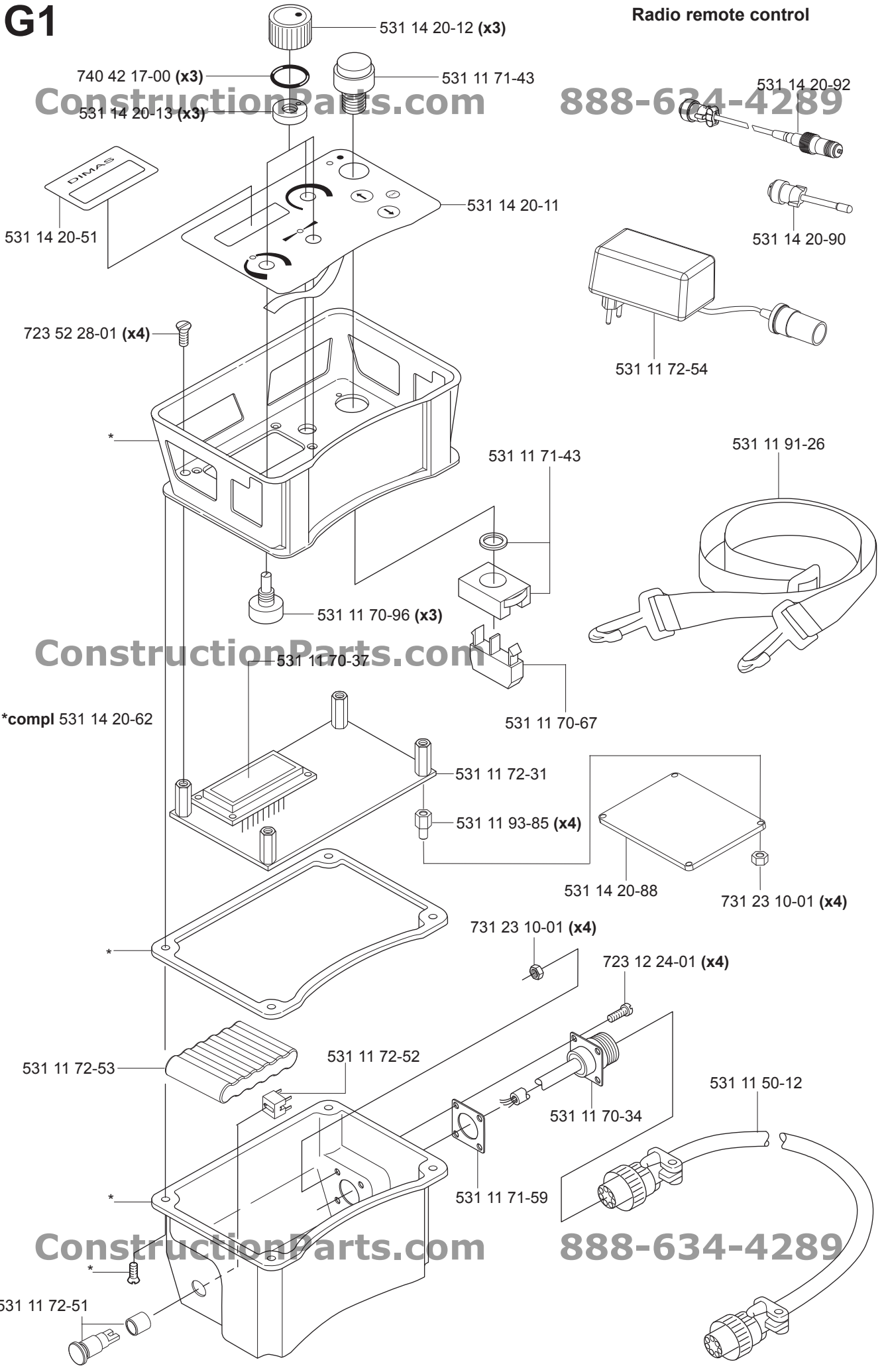


G1

Radio remote control

ConstructionParts.com

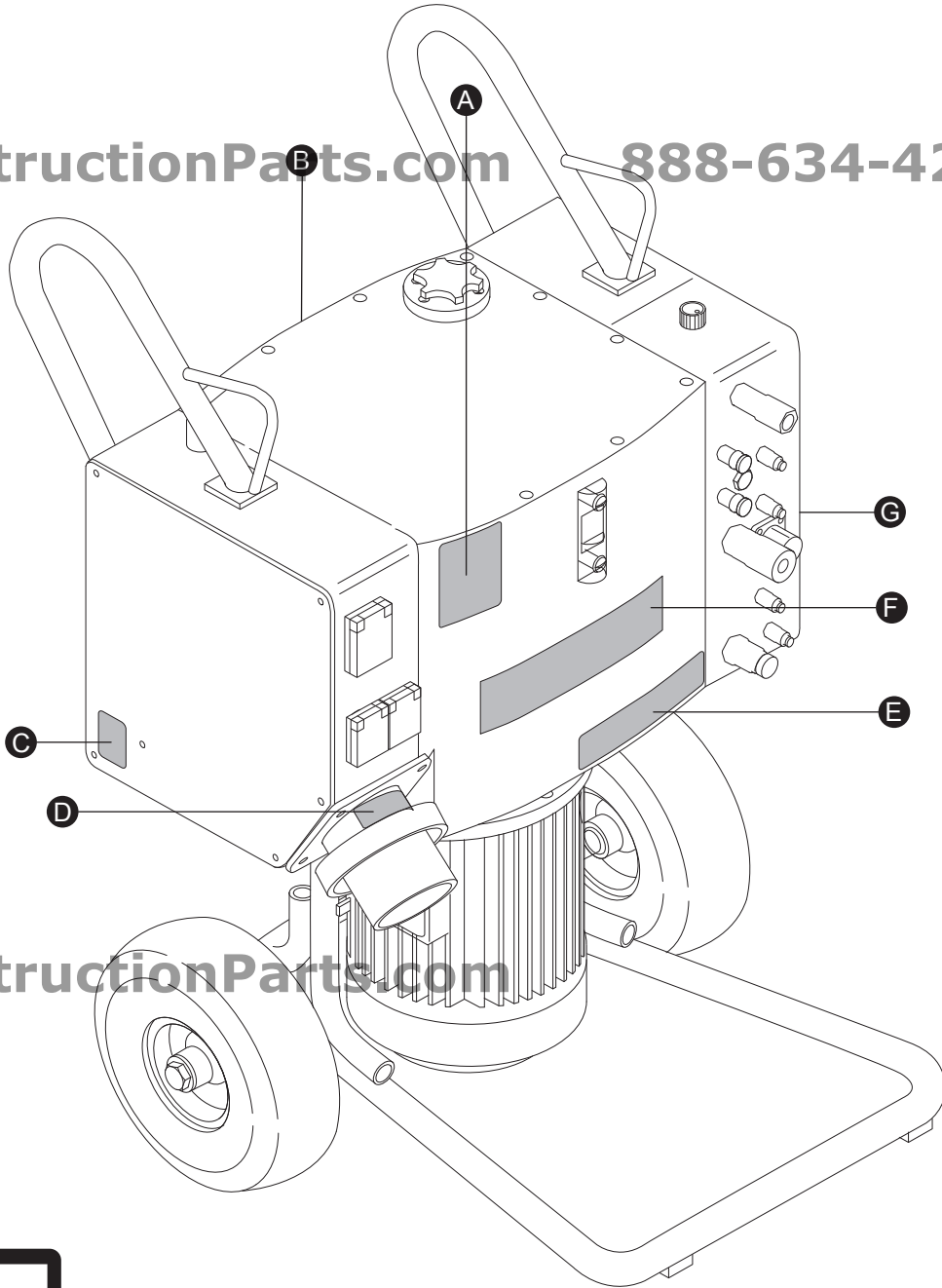
888-634-4289



H

ConstructionParts.com

888-634-4289



ConstructionParts.com

LWA
102 dB

531 14 20-71 (A)

3x400V + N 32 A
3x230V 63 A
50Hz

531 14 20-96 (NO) (D)

531 14 12-34 (B)

3x380-420V
32A 50Hz

531 14 11-90 (STD) (D)

531 14 12-11 (E)

!
Dränera kylaren vid frysrisk!
Drain the radiator to avoid freezing!
Bei Frostgefahr unbedingt das Wasser
aus dem Oelkühler ablassen!

!
Radio controlled!
Funkfernbedienung!

DIMAS



531 14 20-86 (G)

531 14 12-05 (x2) (C)

888-634-4289

531 14 20-56 (F)