

**NORTON**

*clipper*

**NORTON**

*clipper*

**NORTON**

*clipper*



# OWNER'S MANUAL

## MODEL C 355 CONCRETE SAW



Norton Parts  
888-634-4286  
An iBuy Store

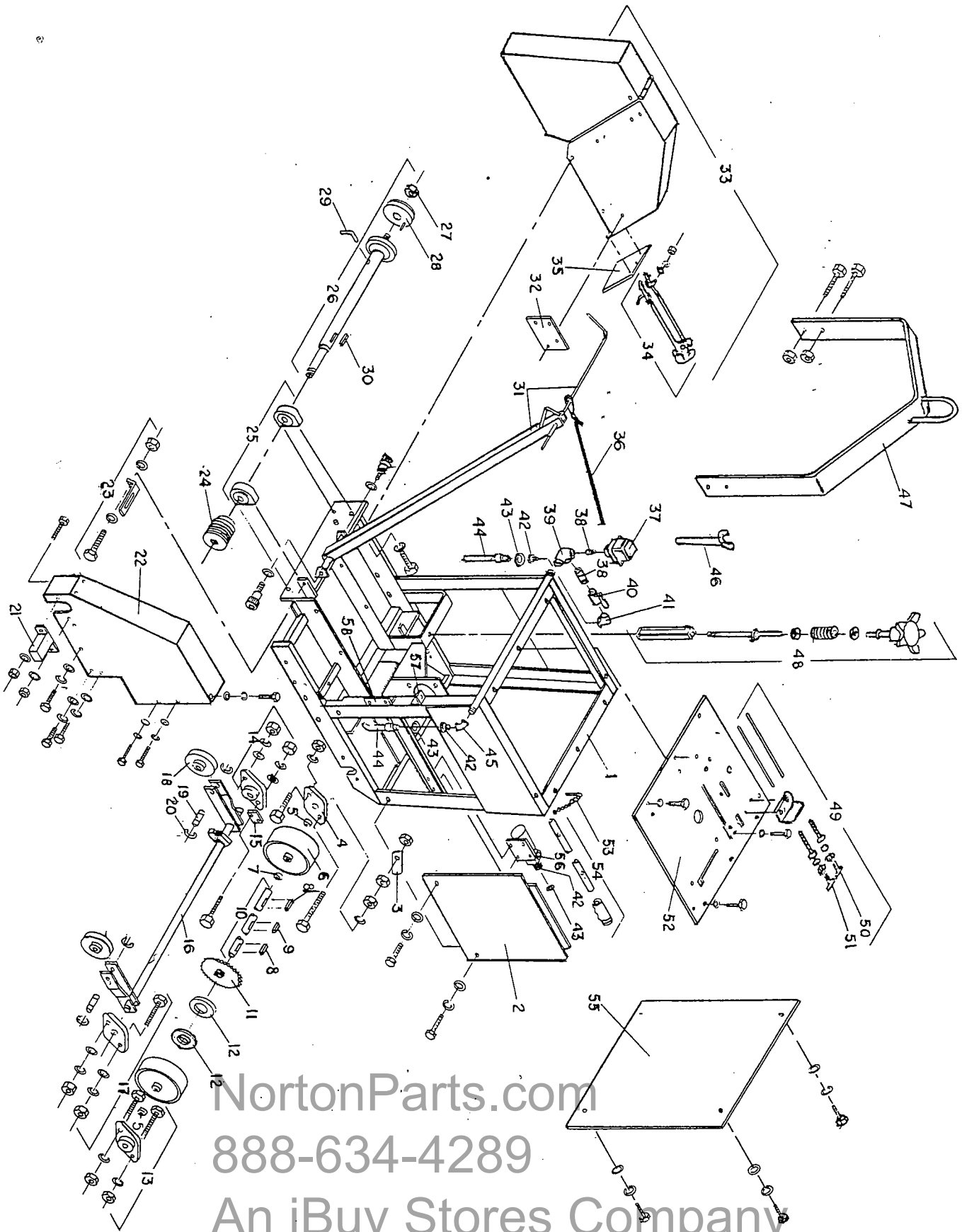


FIG.

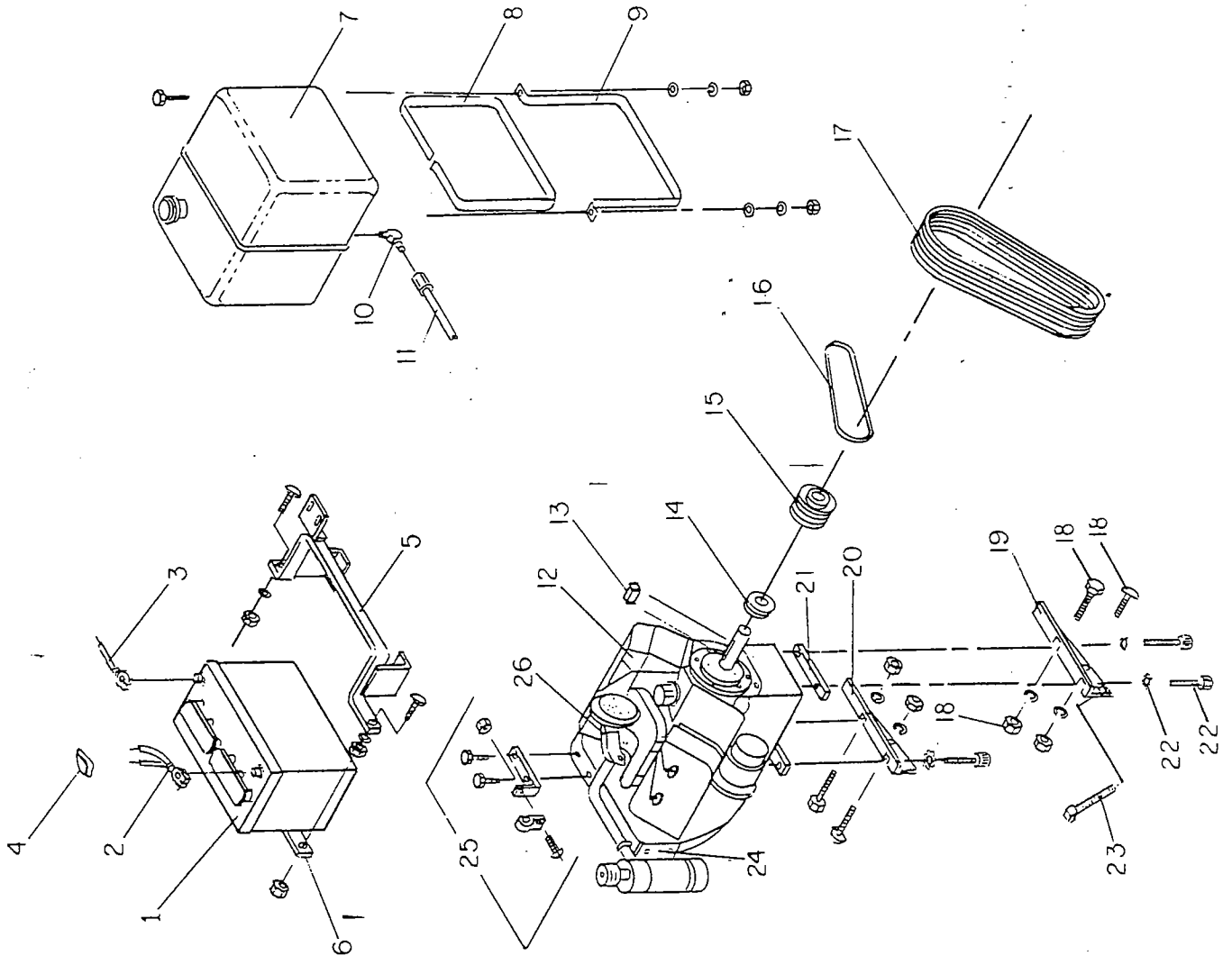
NortonParts.com  
888-634-4289  
An iBuy Stores Company

ITEM NO.	DESCRIPTION	PART NO.
1	Main Frame Weldment	<del>108400</del>
2	Side Door Kit (with hardware)	<del>108771</del>
3	Rear Pointer Kit (with hardware)	<del>108757</del>
4	Bearing Kit (right hand), Right Axle (with hardware)	<del>108758</del>
5	Spacer (2 required)	<del>108240</del>
6	Rear Wheels Kit (2 wheels and 2 keys)	108756
7	Set Collar	101136
8	Key, Rear Wheel	9201123
9	Key, Sprocket	9201115
10	Rear Axle Kit (with 3 keys)	<del>108759</del>
11	Sprocket Kit (with key)	<del>108760</del>
12	Washer (2 required)	<del>8171015</del>
13	Bearing Kit (left hand), Rear Axle (with hardware)	<del>108761</del>
14	Flange Bearing Kit (with locator and hardware)	<del>108762</del>
15	Bearing Locator	<del>108291</del>
16	Front Axle Weldment Kit (with 2 axles & 4 "E" rings)	<del>108869</del>
17	Flange Bearing Kit (with hardware)	<del>108764</del>
18	Front Wheel Kit (1 wheel and 2 "E" rings)	<del>108765</del>
19	Axle, Front Wheel	<del>108230</del>
20	"E" Ring	<del>212511</del>
21	Shaft Guard Kit (with hardware)	<del>108766</del>
22	Belt Guard Kit (with hardware)	<del>108767</del>
23	Bracket Kit, Belt Guard-Front (with hardware)	<del>108772</del>
24	Pulley Kit, Blade Shaft (with key)	<del>108768</del>
25	Bearings Kit, Blade Shaft (2 bearings with hardware)	<del>108769</del>
26	Blade Shaft Assembly Kit	<del>108770</del>
27	Nut, Blade Shaft	105376
28	Loose Collar Assembly	102318
29	Lock Pin, Blade Shaft	107277
30	Key, Blade Shaft Pulley	9201192
31	Front Pointer Kit (with hardware)	<del>107083</del>
32	Spacer Kit, Blade Guard (for 14" only)	<del>108778</del>

ITEM NO.	DESCRIPTION	PART NO.
33	Blade guard kit (with hardware)	
	14" (right hand)	<del>106308</del>
	14" (left hand)	<del>106305</del>
	18"	<del>107026</del>
	24"	<del>107028</del>
34	Tee and Tubes Complete (14" - N/A)	
	18" and 24"	<del>104371</del>
35	Splash Guard Kit (with hardware)	<del>105362</del>
36	Sash Cord Kit, Front Pointer (with clips)	<del>121162</del>
37	Blade Saver Switch Assembly	<del>107021</del>
38	Pipe Nipple	8411049
39	Elbow	<del>842002</del>
40	Control Valve, Water Flow	107859
41	Elbow	8423003
42	Hose Swivel Fitting	101088
43	Washer, Hose	101868
44	Hose Assembly	<del>106407</del>
45	Elbow	<del>8422003</del>
46	Wrench, Blade Shaft	<del>7846</del>
47	Lifting Bail Kit (with hardware)	<del>108053</del>
48	Depth Stop Kit (with hardware)	<del>108772</del>
49	Throttle and Choke Control Kit	<del>108773</del>
50	Choke Control Assembly	<del>108753</del>
51	Throttle Control Assembly	<del>108752</del>
52	Console Panel Assembly Kit (with hardware)	<del>108774</del>
53	Pin and Chain Assembly Kit	<del>108779</del>
54	Maneuvering Bars Kit (2 bars and 2 grips)	<del>108755</del>
55	Rear Door Kit (with hardware)	<del>108780</del>
56	Water Pump Assembly	<del>108355</del>
	Seal Kit for Water Pump (not shown)	<del>107744</del>
57	Bracket Kit, Belt Guard - Top (with hardware)	<del>108775</del>
58	Bracket Kit, Belt Guard - Bottom (with hardware)	<del>108776</del>

NortonParts.com  
888-634-289  
An iBuy Stores Company

• Contact factory for 26" blade guard service parts. AVAILABLE NOV. 85.



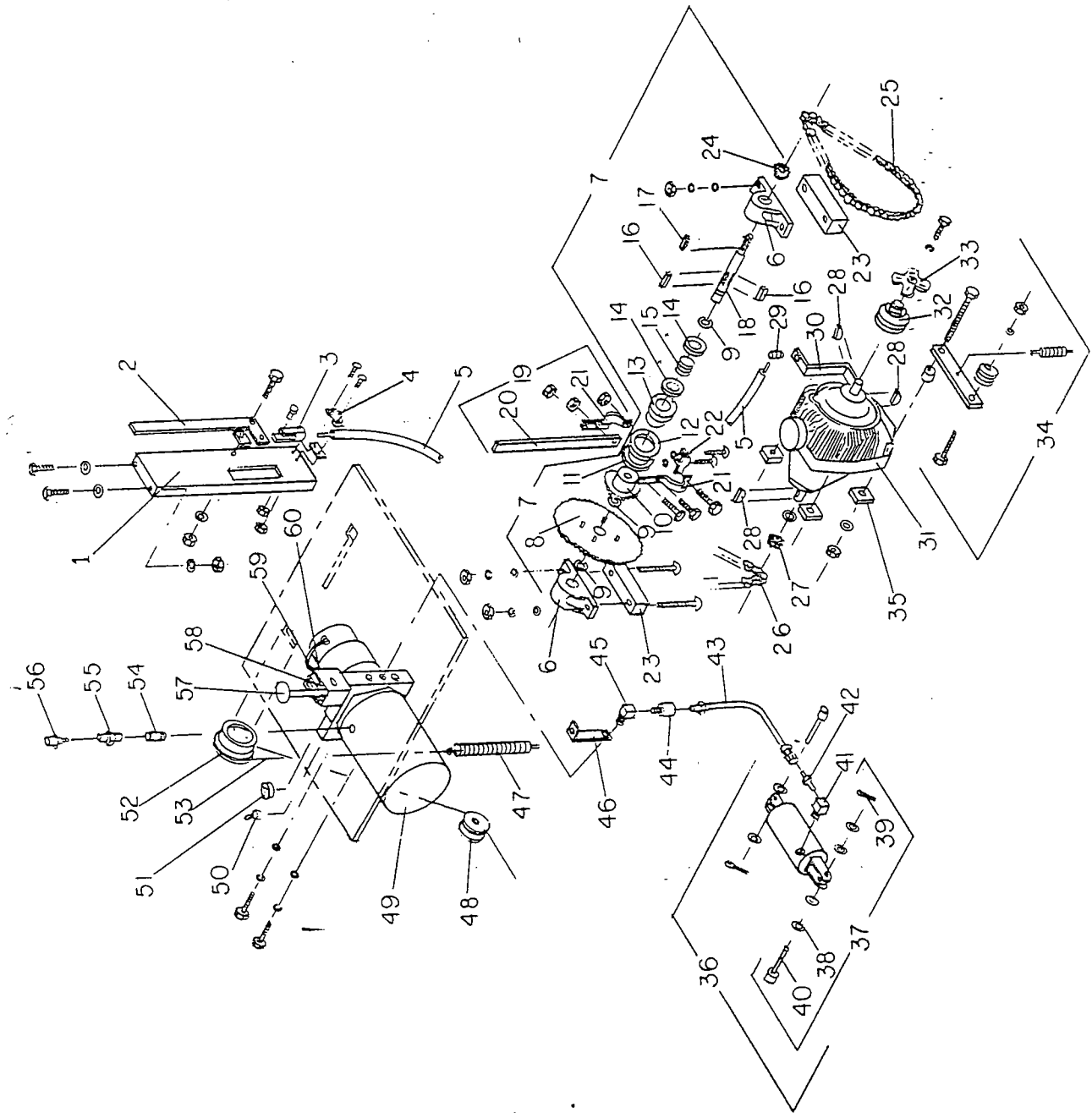
NortonParts.com  
888-634-4289  
An iBuy Stores Company

**FIGURE 2  
SERVICE PARTS LIST**

ITEM NO.	DESCRIPTION	PART NO.	ITEM NO.	DESCRIPTION	PART NO.
1	Battery, 12 volt	<del>107954</del>	17	Belt, Drive (matched set of 5)	
2	Battery Cable (positive) - Dual	<del>107313</del>	14"		<del>108216</del>
3	Battery Cable (ground)	<del>106192</del>	18" and 24"		<del>108217</del>
4	Boot	<del>106423</del>	18	Mounting Hardware Kit (engine rails to frame)	<del>108786</del>
5	Battery Holder Kit (with strap and hardware)	<del>108781</del>	19	Engine Rail Weldment (left hand)	<del>108405</del>
6	Strap	<del>108240</del>	20	Engine Rail (right hand)	<del>108404</del>
7	Fuel Tank	107149	21	Spacer, Engine (not required for 14" and 18")	
8	Felt, Fuel Tank (2 required)	<del>107148</del>	24"	(2 required)	<del>108422</del>
9	Strap, Fuel Tank (2 required)	<del>107147</del>	22	Mounting Hardware Kit, (engine rails to engine)	
10	Elbow	107192	14" and 18"		<del>108787</del>
11	Fuel Line Assembly	<del>108417</del>	24"		<del>108788</del>
12	Engine, 35 H.P.	<del>108747</del>	23	Adjustment Screw, Drive Belts	<del>8090089</del>
13	Key, Engine Pulley	<del>108846</del>	24	Spacer, Air Cleaner	<del>108749</del>
14	Pulley Kit, Accessory (with key)	108782	25	Bracket Kit, Throttle Holder	<del>108789</del>
15	Pulley Kit, Engine (with key)		26	Elbow (from muffler to intake manifold)	<del>0423006</del>
	14"	<del>108783</del>			
	18"	108784			
	24"	<del>108785</del>			
16	Belt, Transmission	<del>122140</del>			

NortonParts.com  
888-634-4289  
An iBuy Stores Company

• Contact factory for 26" blade service parts. AVAILABLE NOV. 85.



NortonParts.com  
888-634-4289  
An iBuy Stores Company

**FIGURE 1  
SERVICE PARTS LIST**

ITEM NO.	DESCRIPTION	PART NO.
1	Support Bracket Kit (with hardware)	<del>obs 108700</del>
2	Handle Kit (with hardware)	<del>obs 108701</del>
3	Clevis (with pin)	108451
4	Clamp	<del>obs 108452</del>
5	Control Cable Kit, Transmission (with clevis & cable end)	<del>108004</del>
6	Bearings Kit, Jack Shaft (2 bearings and hardware)	<del>108702</del>
7	Jackshaft Assembly	<del>108482</del>
8	Sprocket	107810
9	"E" Ring (3 required)	<del>216517</del>
10	Sprocket Kit (with 2 keys)	<del>108703</del>
11	Wear Plate, Steel	<del>108739</del>
12	Wear Plate, Bronze	<del>108738</del>
13	Adaptor	108377
14	Washer (2 required)	8172017
15	Spring	<del>obs 108291</del>
16	Key (2 required)	9201115
17	Key	9201078
18	Jack Shaft Kit (with 3 keys)	<del>obs 108805</del>
19	Clutch Handle Assembly Kit (with bracket & both forks)	<del>108704</del>
20	Clutch Handle Kit (with hardware)	<del>108795</del>
21	Clutch Forks Kit (with both forks, bracket, hardware)	<del>108745</del>
22	Pivot Bracket Kit (with hardware)	<del>108796</del>
23	Spacer (2 required)	<del>108471</del>
24	Sprocket Kit (with key)	<del>170022</del>
25	Chain (from rear axle to jack shaft)	107258
26	Chain (from jack shaft to transmission)	<del>obs 108478</del>
27	Sprocket Kit, Transmission (with key, retaining ring, and spacer)	<del>obs 108797</del>
28	Key (3 required)	9203009
29	Cable End	<del>obs 108449</del>
30	Control Lever Kit, Transmission (with key and hardware)	<del>108798</del> obs

ITEM NO.	DESCRIPTION	PART NO.
<del>31</del>	transmission	106344
32	Pulley Kit, Transmission (with key)	<del>obs 108799</del>
33	Fan Kit, Transmission (with hardware)	<del>108800</del>
34	Idler Assembly Kit (with hardware)	<del>obs 108801</del>
35	Spacer, Transmission (4 required)	<del>106377</del>
36	Hydraulic Cylinder Kit (with clevis pins, washers, cotter pins)	<del>108802</del>
37	Clevis Pin Kit (with 2 clevis pins, washers, and 2 cotter pins)	<del>108806</del>
38	Washer (9 required)	8172011
39	Cotter Pin (2 required)	8197031
✓40	Clevis Pin (2 required)	<del>obs 108894</del>
41	Elbow	<del>104290</del>
42	Connector, Male	<del>105267</del>
43	Hose Assembly, Hydraulic (from pump to cylinder)	<del>104459</del>
44	In-Line Filter	<del>107795</del>
45	Elbow	8423002
46	Support Kit, Hydraulic Pump (with hardware)	<del>obs 108803</del>
47	Spring, Depth Indicator	122362
48	Pulley Kit, Depth Indicator	<del>obs 170009</del>
49	Hydraulic Pump Assembly (with mounting hardware)	<del>obs 108807</del>
50	Switch, Water Pump	101529
51	Switch, Ignition	104332
52	Depth Indicator Assembly	<del>obs 107944</del>
53	Cable Kit, Depth Indicator	<del>108808</del>
54	Pipe Nipple	<del>8411036</del>
55	Coupling	104293
56	Breather Filter	<del>obs 107191</del>
57	Handle (with knob)	107502
58	Wear Plate (not shown)	<del>107843</del>
59	Spring (not shown)	<del>107500</del>
60	Switch, Hydraulic Pump	<del>107501</del>

• Contact factory for 26" blade guard s e parts. AVAILABLE NOV. 85.