



## Classic

Agricultural Animal  
Confinement Building  
Heaters

Model	Btuh / kW
346/348*	60,000/17.6
377/379*	115,000/33.7

Available in either  
Propane Vapor  
Withdrawal or  
Natural Gas  
Configurations.

View this manual online at [www.lbwhite.com](http://www.lbwhite.com)

### Attention

Fully accessorized models 346, 348, 377, and 379 have been tested and evaluated by CSA Group for U.S. application in accordance with standard ANSI Z83.7 CSA 2.14 and are listed and approved as direct gas fired circulating construction heaters with intended use for primarily for the temporary heating of buildings under construction, alteration, or repair. As an alternative use, all models of these heaters, including -3 and -4 unaccessorized versions, for use in the U.S., have been tested and evaluated by the L.B.White Co., LLC. for the heating of agricultural animal confinement buildings and have been used in such applications for many years.

Models 346-3, 346-4, 348-3, and 348-4 are also tested and evaluated by CSA Group in accordance with the Canadian Gas Association Standard for Gas Fired ers, CAN1-2.20-M85 4 and are listed and approved for Canada as direct gas fired circulating heaters for the heating of agricultural animal confinement buildings.

WE CANNOT ANTICIPATE EVERY USE WHICH MAY BE MADE OF OUR HEATERS. CHECK WITH YOUR LOCAL FIRE SAFETY AUTHORITY, YOUR LOCAL FUEL GAS SUPPLIER, OR THE L.B. WHITE COMPANY IF YOU HAVE QUESTIONS REGARDING APPLICATIONS.

\* Specific models



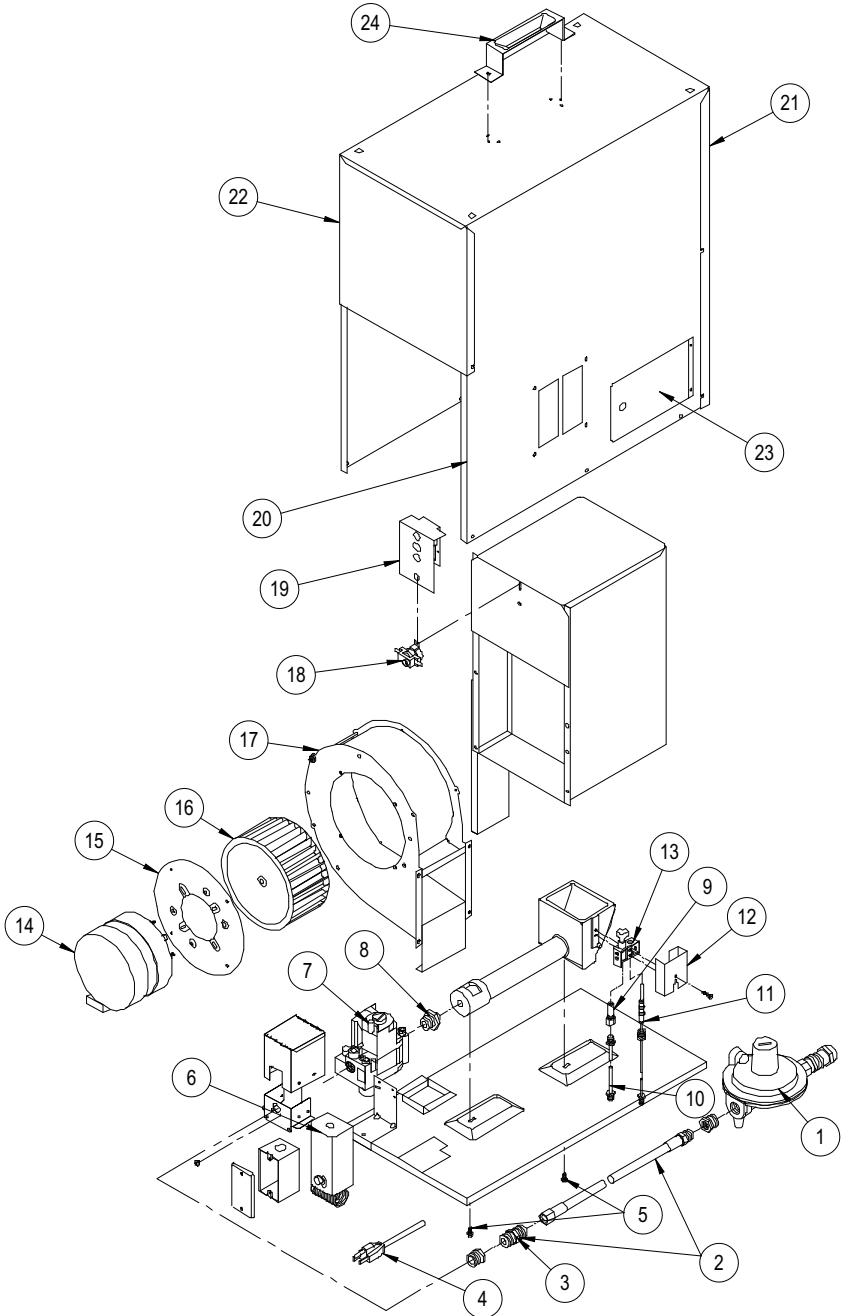
### Congratulations!

You have purchased the finest circulating heater available. Your new L.B. White heater incorporates the benefits from the most experienced manufacturer of heating products using state-of-the-art technology.

## Specifications

		346	348	377	379
Fuel Type		Propane	Natural	Propane	Natural
Maximum Input (Btuh / kW)		60,000 / 17.58		115,000 / 33.7	
Burner Manifold Pressure (Inches W.C. / kPa)		10.0 / 2.49	4.0 / 1.0	10.0 / 2.49	4.0 / 1.0
Gas Supply Pressure Acceptable at the Inlet of the Heater for Purpose of Input Adjustment (Inches W.C. / kPa)	MAX	13.5/3.36			
	MIN	11.0 / 2.74	7.0 / 1.74	11.0 / 2.74	7.0 / 1.74
Fuel Consumption (per hour)	Propane (lbs./kg)	2.78 / 1.26	N/A	5.33 / 2.42	N/A
	Natural Gas (cu. ft / m <sup>3</sup> )	N/A	60 / 1.70	N/A	115 / 3.26
Motor Characteristics H.P / Watts / RPM		Sleeve Bearing 1 / 12 / 60 / 1700		Ball Bearing 1/5 H.P. / 149 / 1100	
Electrical Supply (Volts / Hz / Phase)		120 / 60 / 1			
Amp Draw	Starting	3.0		6.0	
	Continous Operation	1.0		1.6	
Dimensions (Inches / cm) L x W x H		21 1/4 x 11 1/4 x 24 / 54 x 28.6 x 61		23 x 16 1/2 x 24 / 58.4 x 42 x 61	
Minimum Safe Distances From Nearest Combustible Materials	TOP	6 in. / 15.2 cm			
	SIDES	6 in. / 15.2 cm			
	BACK	6 in. / 15.2 cm			
	BLOWER OUTLET	4 ft. / 1.22 m		6 ft. / 1.83 m	
	GAS SUPPLY	Propane Gas - U.S: 6 ft. / 1.83 m, Canada: 10 ft. / 3.05 m Natural Gas - N/A			
Ventilation Air Required to Support Combustion (cfm / cubic meters per hour)		250 / 425		600 / 1019	

# Service Parts Identification Schematic



## Parts List - Classic 60

Item	Description	Part Number
1	Regulator, Single stage propane gas	550-23215
	Regulator, Second stage, propane gas	550-06553
	Regulator, Second stage, natural gas	500-07087
2	Hose, 1/4 in. ID x 10 ft. (3.05m) with adapter	550-20543
	3/8 in. ID x 10 ft. (3.05m) with adapter	550-21883
3	Adapter, hose, 1/4 NPT x 9/16-18 (Propane gas)	573698
	1/2 NPT x 5/8-18 9 (Natural gas)	572517
4	Power cord	570081
5	Screw, burner (2 per part number)	573701
6	Thermostat	500-05568
7	Gas control valve, Propane gas	521615
	Natural gas	521616
8	Burner orifice, Propane gas	570077
	Natural gas	570078
9	Pilot orifice, Propane gas	502689
	Natural gas	570065
10	Pilot tube with fittings	521380
11	Thermocouple, 21 in. (53 cm)	503497
12	Pilot shield with mounting screws	573700
13	Pilot assembly, with orifice, Propane gas	502729
	Natural gas	573699
14	Motor, 1/12 HP, 1700 RPM	520290
15	Motor mount plate	570382
16	Fan wheel	570230
17	Fan housing	500-05579
18	High limit switch	505566
19	Bracket, with high limit switch	500-02662
20	Case assembly	500-23283
21	Case panel, (opposite motor)	570223
22	Case panel, (motor end)	570172
23	Door, pilot access	505857
24	Handle	573702