

REVISED STARTING  
SERIAL # 151110141



## PARTS LIST MANUAL

# MODEL SS26-15B

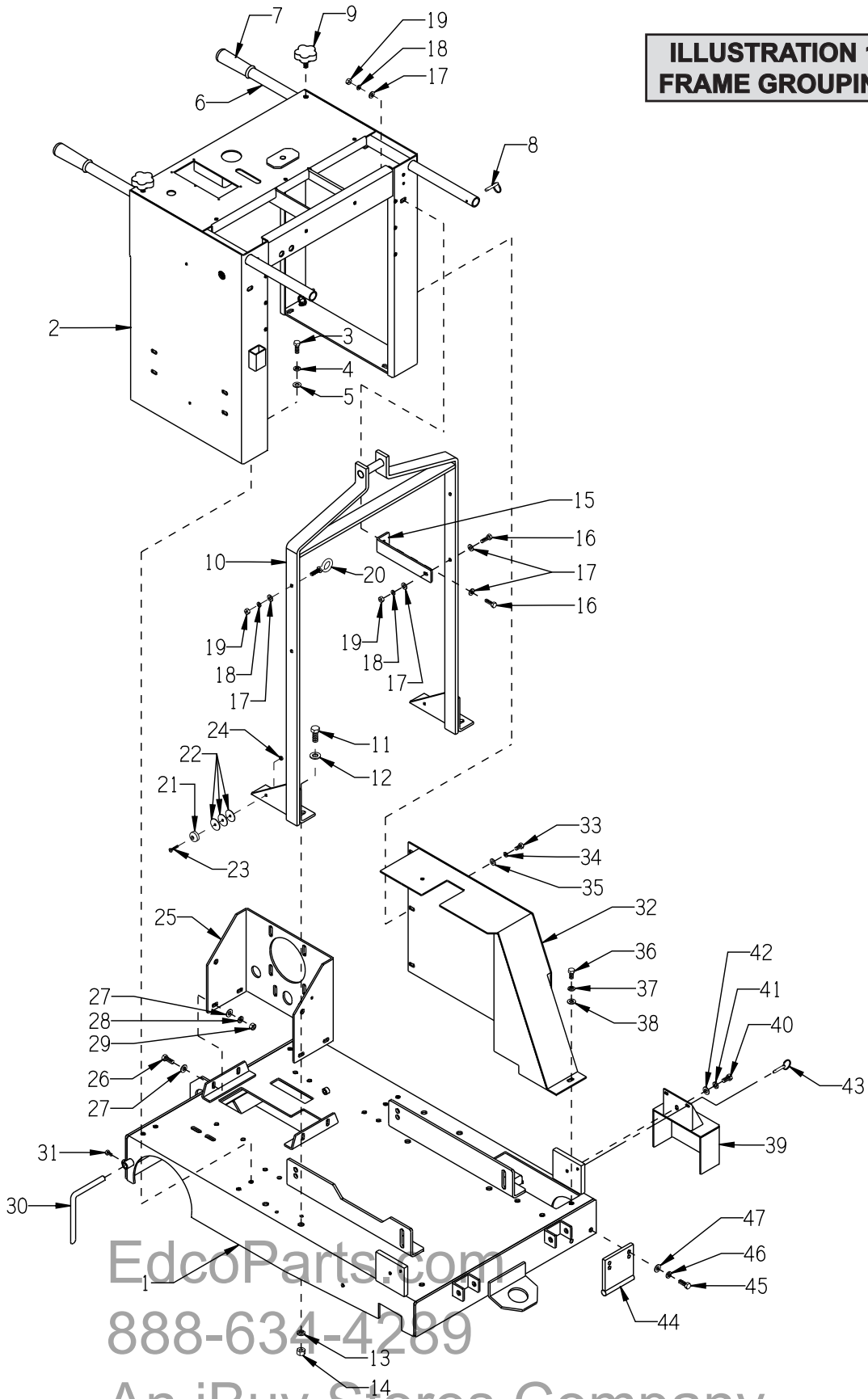


## Electric Powered Self-Propelled Concrete & Asphalt Saw

### SAW SET-UP OPTIONS

SKU NUMBER	BLADE GUARD SIZE	BLADE SPEED
34300-30-460	30 INCH	1755 RPM
34300-30-50/415	30 INCH	1450 RPM

**ILLUSTRATION 1:  
FRAME GROUPING**



### PARTS LISTING - ILLUSTRATION 1: FRAME GROUPING

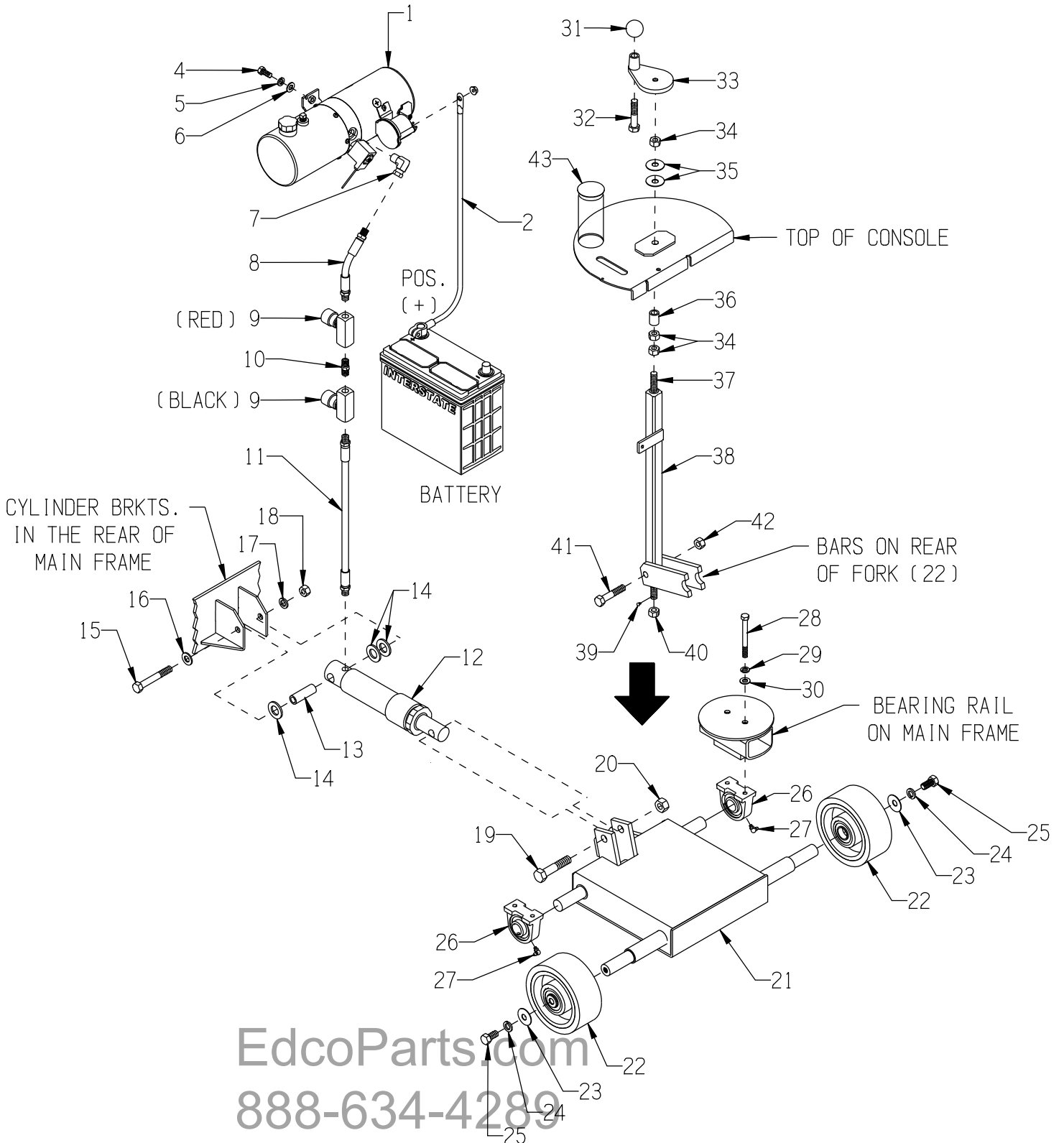
ITEM #	PART #	DESCRIPTION	QTY.	ITEM #	PART #	DESCRIPTION	QTY.
1	50701	MAIN FRAME, SS-26	1	24	10832	NUT, KEPS LOCK 10-32 ZINC	1
2	50650	CONSOLE, SS-26/35	1	25	50508	MOUNT, TRANSMISSION, SS-26	1
3	10055	SCREW, CAP 3/8-16 X 1	8	26	10021	SCREW, CAP 3/8-24 X 1	4
4	10811	WASHER, LOCK 3/8 ZINC	8	27	10025	WASHER, FLAT 3/8 SAE ZINC	8
5	10025	WASHER, FLAT 3/8 SAE ZINC	8	28	10811	WASHER, LOCK 3/8 ZINC	4
6	50522	HANDLE BAR 36", SS-26	2	29	10014	NUT, HEX 3/8-24 ZINC	4
7	10608	GRIP, HAND 1" MODEL AT	2	30	51011	GUIDE POINTER, REAR	1
8	10145	PIN, DETENT RING 3/16 X 1-5/16	2	31	10834	SCREW, CAP 1/4-20 X 1/2 ZINC	1
9	51230	KNOB, STAR CLAMPING 3/8-16 X 1"STUD	2	32	50670	BELT COVER, SS26E	1
10	50606E	BAIL, LIFTING	1	33	10053	SCREW, CAP 5/16-18 X 3/4	3
11	10321	SCREW, CAP 1/2-20 X 1-1/4	4	34	10801	WASHER, LOCK 5/16 ZINC	3
12	10312	WASHER, FLAT 1/2 SAE ZINC	4	35	10213	WASHER, FLAT 5/16 SAE ZINC	3
13	10045	WASHER, LOCK 1/2 ZINC	4	36	10907	SCREW, CAP 3/8-16 X 3/4	1
14	10072	NUT, HEX 1/2-20 ZINC	4	37	10811	WASHER, LOCK 3/8 ZINC	1
15	50711E	BRACE, LIFTING BAIL	2	38	10025	WASHER, FLAT 3/8 SAE ZINC	1
16	10806	SCREW, CAP 5/16-18 X 1	4	39	50704	COVER, ARBOR, SS-26	1
17	10213	WASHER, FLAT 5/16 SAE ZINC	9	40	10907	SCREW, CAP 3/8-16 X 3/4	1
18	10801	WASHER, LOCK 5/16 ZINC	5	41	10811	WASHER, LOCK 3/8 ZINC	1
19	10054	NUT, HEX 5/16-18 ZINC	5	42	10025	WASHER, FLAT 3/8 SAE ZINC	1
20	11593	BOLT, EYE SHOULDER 5/16-18 X 1-1/8	1	43	49016	PIN, DETENT RING 1/4 X 1 E.L.	1
21	52022	BUMPER, RUBBER	1	44	50703	GUARD, LOWER PULLEY, SS-26	1
22	40378-S1	WASHER, FENDER 1/4ID X 1-1/4OD S.S.	3	45	10055	SCREW, CAP 3/8-16 X 1	2
23	10384	SCREW, MACHINE 10-32 X 1	1	46	10811	WASHER, LOCK 3/8 ZINC	2
				47	10025	WASHER, FLAT 3/8 SAE ZINC	2

EdcoParts.com

888-634-4289

An iBuy Stores Company

**ILLUSTRATION 2: LIFT GROUPING**



## PARTS LISTING - ILLUSTRATION 2: LIFT GROUPING

ITEM #	PART #	DESCRIPTION	QTY.	ITEM #	PART #	DESCRIPTION	QTY.
1	50620	PUMP, HYDRAULIC ELEC., 12VDC M-319 <b>REPLACEMENT PARTS FOR PUMP:</b>	1	21	50502	FORK, SS-26	1
	50620-1	SOLENOID		22	50439	WHEEL 6 X 2-1/2 X 1"BRG., RED POLY	2
	50620-2	VALVE		23	10433	WASHER, BELLEVILLE 1/2ID X 3/32THK	2
	50620-12	COIL		24	10045	WASHER, LOCK 1/2 ZINC	2
	50620-42	PLUG, VENT (PLASTIC) 01143		25	10914	SCREW, CAP 1/2-13 X 1	2
	50620-43	PLUG, SQUARE HEAD, 1/4 NPT		26	50222	BEARING, BALL 1" TPB	2
2	50324R	CABLE, BATTERY 4GA. X 24" (RED)	1	27	10961	FITTING, GREASE 1/4-28 X 90°	2
3	-----	NO ITEM	-	28	10868	SCREW, CAP 3/8-16 X 3-1/2	4
4	10055	SCREW, CAP 3/8-16 X 1	2	29	10811	WASHER, LOCK 3/8 ZINC	4
5	10811	WASHER, LOCK 3/8 ZINC	2	30	10025	WASHER, FLAT 3/8 SAE ZINC	4
6	10025	WASHER, FLAT 3/8 SAE ZINC	2	31	14023	KNOB, BALL 1-3/8 W/ 1/2-13THD	1
7	10794	FITTING, SWIVEL 90D, 3/8 X 1/4 NPT	1	32	10323	SCREW, CAP 1/2-13 X 2-1/2	1
8	57078	HOSE, HYDRAULIC 1/4NPT X 6-1/2"LOA	1	33	57016	HANDWHEEL, SMALL W/ 1/2-13 THD.	1
9	61116	VALVE, FLOW CONTROL	2	34	10417	NUT, HEX 1/2-13 ZINC	3
10	10717	NIPPLE, HEX 1/4 NPT (BRASS)	1	35	10426	WASHER, BELLEVILLE 1/2ID X 3/64THK	2
11	50527	HOSE, HYDRAULIC 1/4NPT X 15-1/2"LOA	1	36	50526	SPACER, STEEL 1/2"ID X 1"LG	1
12	61020	CYLINDER, HYDRAULIC	1	37	50409	ROD, ALLTHREAD LINKAGE 1/2-13 X 22"	1
13	61021	SPACER, CYL.REAR 1/2"ID X 2-1/4	1	38	50412	LINKAGE LOWER TUBE, SS-26	1
14	10009	WASHER, FLAT 3/4 SAE ZINC	3	39	10127	SCREW, DRIVE 1/8 X 1/4"L	1
15	10324	SCREW, CAP 1/2-13 X 3-1/2	1	40	50455	NUT 1/2-13, SPECIAL	1
16	10312	WASHER, FLAT 1/2 SAE ZINC	1	41	10343	SCREW, CAP 1/2-20 X 2-1/2	1
17	10045	WASHER, LOCK 1/2 ZINC	1	42	10809	NUT, HEX LOCK 5/8-11 ZINC	1
18	10417	NUT, HEX 1/2-13 ZINC	1	43	65022	PLUG, HOLE 2"	1
19	10326	SCREW, CAP 5/8-11 X 3	1				
20	10809	NUT, HEX LOCK 5/8-11 ZINC	1				

EdcoParts.com

888-634-4289

An iBuy Stores Company



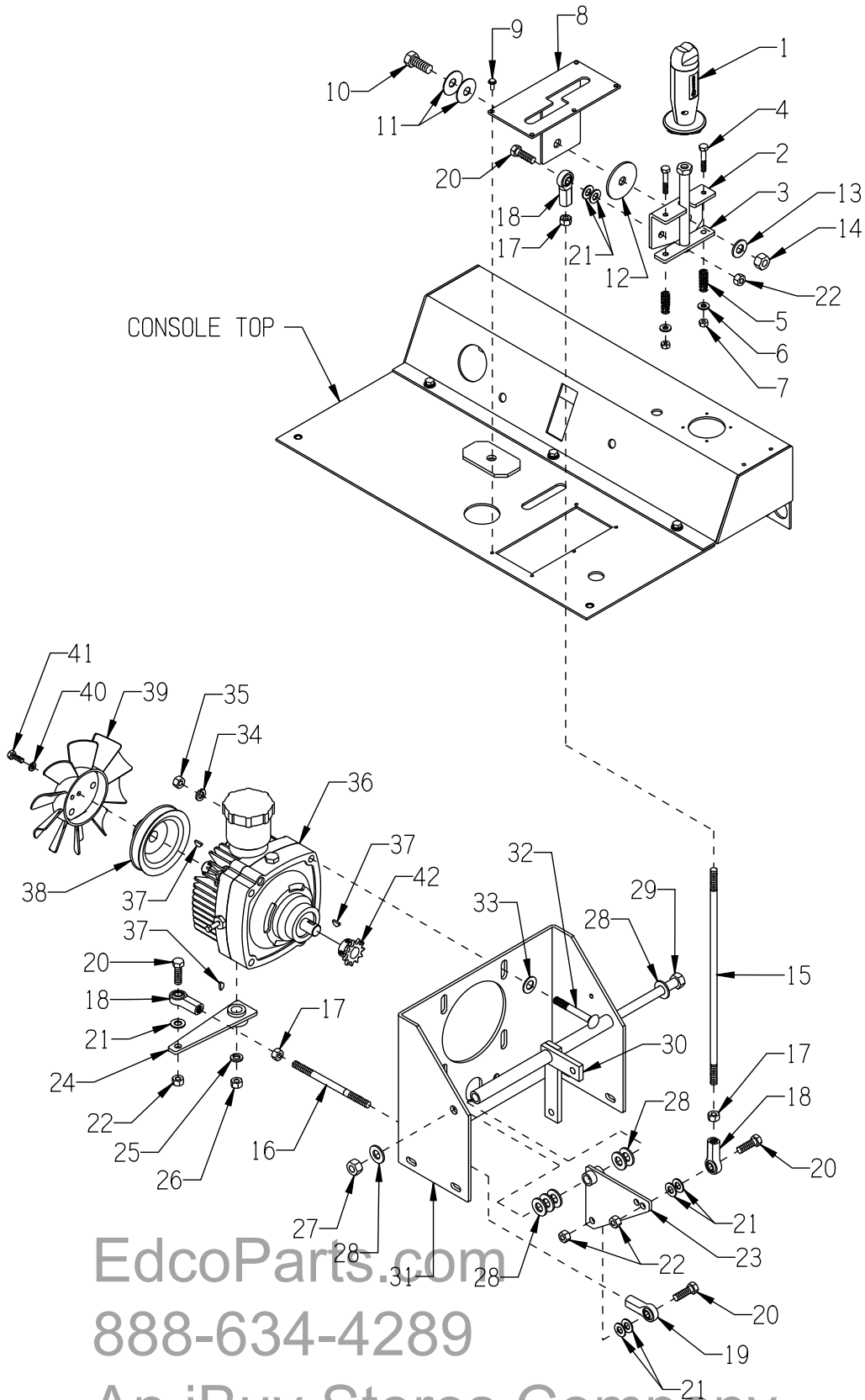
<b>PARTS LISTING - ILLUSTRATION 3: REAR AXLE GROUPING</b>			
<b>ITEM #</b>	<b>PART #</b>	<b>DESCRIPTION</b>	<b>QTY.</b>
1	50519	AXLE SHAFT 1"DIA. X 25"L, SS-26	1
2	10115	KEY 1/4SQ X 2	1
3	61126	SPROCKET #40B34 X 1"BORE	1
4	50222	BEARING, BALL 1" TPB	2
5	10960	FITTING, GREASE 1/4-28 X 45°	2
6	10906	RETAINING RING, EXT. 1"	2
7	10132	KEY 1/4SQ X 3	2
8	61065	WHEEL 8 X 3 X 1"BORE	2
9	10433	WASHER, BELLEVILLE 1/2ID X 3/32THK	2
10	10045	WASHER, LOCK 1/2 ZINC	2
11	10914	SCREW, CAP 1/2-13 X 1	2
12	50511	SHIM, AXLE BEARING, SS-26	1
13	50512	SHIM, AXLE BEARING W/ ADJ.,SS-26	1
14	50510	SPACER, BEARING, SS-26	2
15	10340	BOLT, TAP 1/2-13 X 3 (FULL THREAD)	1
16	10433	WASHER, BELLEVILLE 1/2ID X 3/32THK	1
17	10312	WASHER, FLAT 1/2 SAE ZINC	1
18	10417	NUT, HEX 1/2-13 ZINC	2
19	10318	SCREW, CAP 3/8-16 X 3-3/4	4
20	10811	WASHER, LOCK 3/8 ZINC	4
21	10025	WASHER, FLAT 3/8 SAE ZINC	4
22	50542	CHAIN #40 X 25" + CL, SS-26	1

EdcoParts.com

888-634-4289

An iBuy Stores Company

**ILLUSTRATION 4: TRANSMISSION, DRIVE LEVER & LINKAGE GROUPING**



EdcoParts.com  
888-634-4289  
An iBuy Stores Company

**PARTS LISTING - ILLUSTRATION 4:  
TRANSMISSION, DRIVE LEVER & LINKAGE GROUPING**

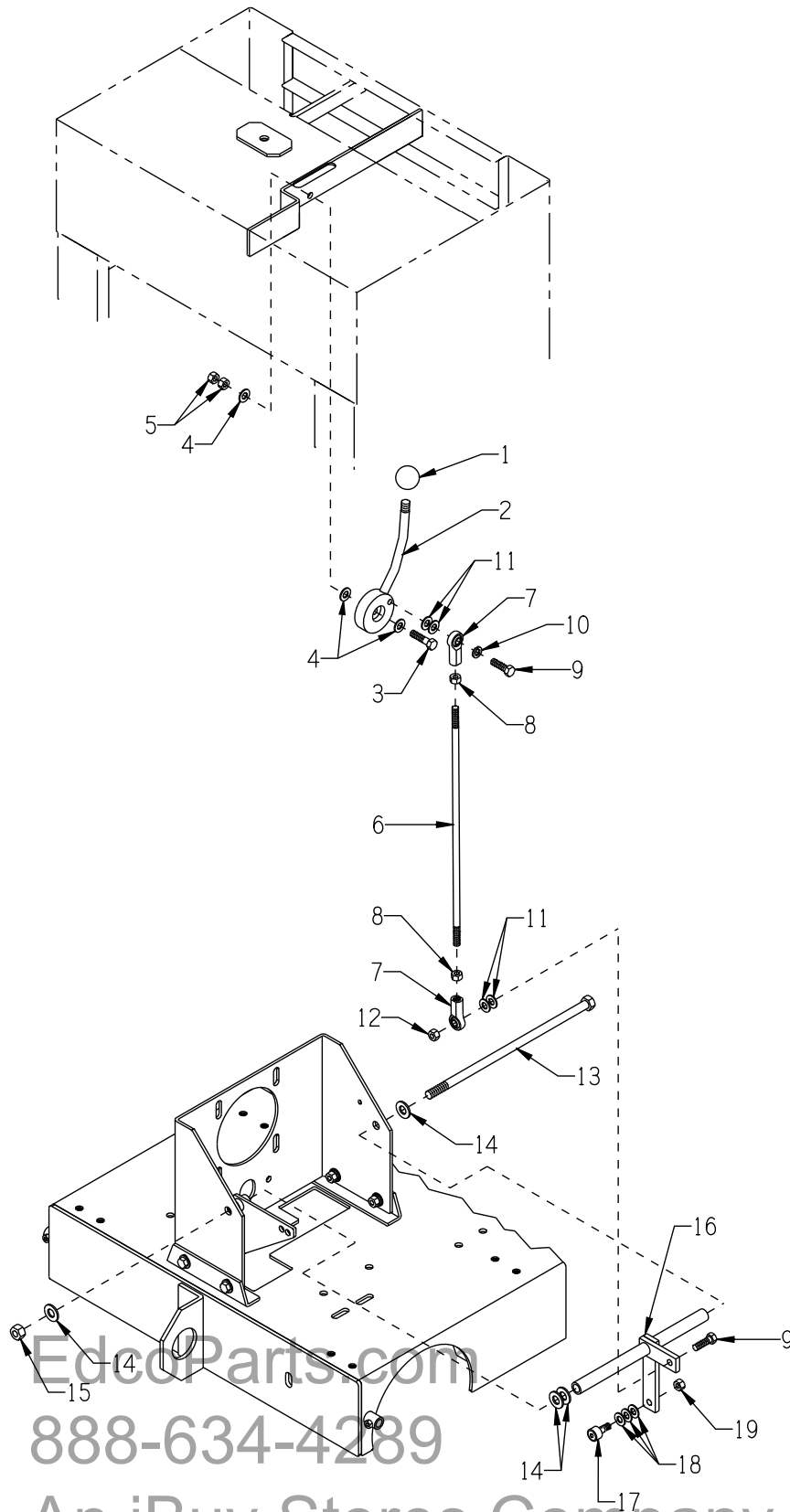
ITEM #	PART #	DESCRIPTION	QTY.	ITEM #	PART #	DESCRIPTION	QTY.
1	50610	GRIP W/ ROCKER SWITCH	1	20	10309	SCREW, CAP 3/8-24 X 1-1/4	4
	50610-1	INDIVIDUAL PARTS:	1	21	10025	WASHER, FLAT 3/8 SAE ZINC	7
	50614A	GRIP BUILD KIT, 2 HALVES	1	22	10004	NUT, HEX LOCK 3/8-24 ZINC	4
	50615	ROCKER SWITCH W/ WIRES	1	23	57123	BELLCRANK, DRIVE CONTROL	1
		CAP, RUBBER BOOT	1	24	50422	TRANS. CONTROL ARM	1
2	50613	PLATE, DRIVE LEVER	1	25	10811	WASHER, LOCK 3/8 ZINC	1
		PRESSURE		26	10404	NUT, HEX 3/8-16 ZINC	1
3	50608	LEVER, DRIVE, SS-26	1	27	10407	NUT, HEX LOCK 1/2-13 ZINC	1
4	10315	SCREW, CAP 1/4-20 X 1-1/2	2	28	10312	WASHER, FLAT 1/2 SAE ZINC	7
5	57471	SPRING, COMP. .	2	29	10421	SCREW, CAP 1/2-13 X 13	1
		468"OD X 1.25"FL		30	50450	BELL CRANK, CLUTCH, SS-26	1
6	10602	WASHER, FLAT 1/4 SAE ZINC	2	31	50508	MOUNT, TRANSMISSION, SS-26	1
7	10015	NUT, HEX LOCK 1/4-20 ZINC	2	32	10909	BOLT, CARRIAGE 3/8-16 X 3	4
8	50607	GATE, DRIVE LEVER, SS-26	1	33	10040	WASHER, GARRET	4
9	10877	SCREW, CAP STSHW	5			17/32 X 1 X .054	
		10-24 X 1/2		34	10811	WASHER, LOCK 3/8 ZINC	4
10	10321	SCREW, CAP 1/2-20 X 1-1/4	1	35	10404	NUT, HEX 3/8-16 ZINC	4
11	10426	WASHER, BELLEVILLE		36	50061	TRANSMISSION, HYDROSTATIC	1
		1/2ID X 3/64THK		37	50071	KEY, WOODRUFF 1/8 X 1/2	3
12	50428	WASHER, FIBER	1			(#404)	
		2-1/4OD X 1/2ID X 1/8		38	50062	SHEAVE, TRANS.	1
13	10312	WASHER, FLAT 1/2 SAE ZINC	1			4"OD X 1GR. X .671"B	
14	10205	NUT, HEX LOCK 1/2-20 ZINC	1	39	50266	FAN BLADE W/ PLATE 7",	1
15	57124	LINKAGE, ROD 3/8 X 14-5/8"L	1			TRANSMISSION	
16	50420	LINKAGE, ROD 3/8 X 5-3/4"L	1	40	10038	WASHER, LOCK 1/4 ZINC	1
17	10014	NUT, HEX 3/8-24 ZINC	3	41	10018	SCREW, CAP 1/4-20 X 3/4	1
18	10919	ROD END, FEMALE	3	42	50048	SPROCKET #3511 X .67"BORE	1
		3/8-24 R.H. THREAD					
19	10919L	ROD END, FEMALE	1				
		3/8-24 L.H. THREAD					

EdcoParts.com

888-634-4289

An iBuy Stores Company

**ILLUSTRATION 5: CLUTCH LEVER & LINKAGE GROUPING**



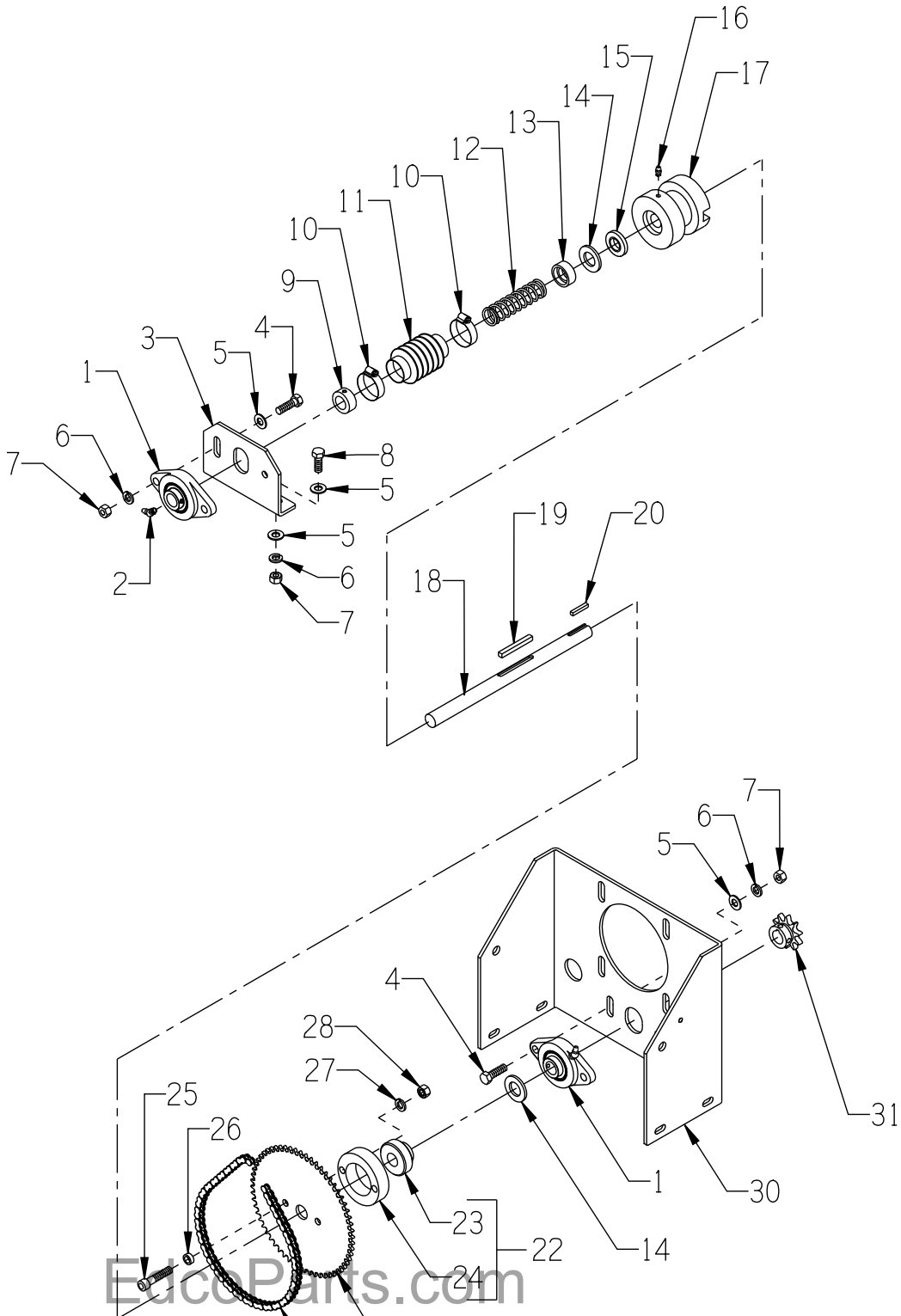
<b>PARTS LISTING - ILLUSTRATION 5: CLUTCH LEVER &amp; LINKAGE GROUPING</b>			
<b>ITEM #</b>	<b>PART #</b>	<b>DESCRIPTION</b>	<b>QTY.</b>
1	14023	KNOB, BALL 1-3/8 W/ 1/2-13THD, BLK.	1
2	50611	LEVER, CLUTCH, SS-26	1
3	10816	SCREW, CAP 3/8-24 X 1-1/2	1
4	10025	WASHER, FLAT 3/8 SAE ZINC	3
5	10004	NUT, HEX LOCK 3/8-24 ZINC	2
6	50612	LINKAGE, ROD 3/8 X 17"L	1
7	10919	ROD END, FEMALE 3/8-24 R.H. THREAD	2
8	10014	NUT, HEX 3/8-24 ZINC	2
9	10309	SCREW, CAP 3/8-24 X 1-1/4 ZINC	2
10	10811	WASHER, LOCK 3/8 ZINC	1
11	10025	WASHER, FLAT 3/8 SAE ZINC	4
12	10004	NUT, HEX LOCK 3/8-24 ZINC	1
13	10421	SCREW, CAP 1/2-13 X 13	1
14	10312	WASHER, FLAT 1/2 SAE ZINC	4
15	10407	NUT, HEX LOCK 1/2-13 ZINC	1
16	50450	BELL CRANK, CLUTCH, SS-26	1
17	10924	CAM FOLLOWER BRG. 3/4" X 3/8-24THD	1
18	10025	WASHER, FLAT 3/8 SAE ZINC	3
19	10004	NUT, HEX LOCK 3/8-24 ZINC	1

EdcoParts.com

888-634-4289

An iBuy Stores Company

**ILLUSTRATION 6: CLUTCH GROUPING**



EdcoParts.com

888-634-4289

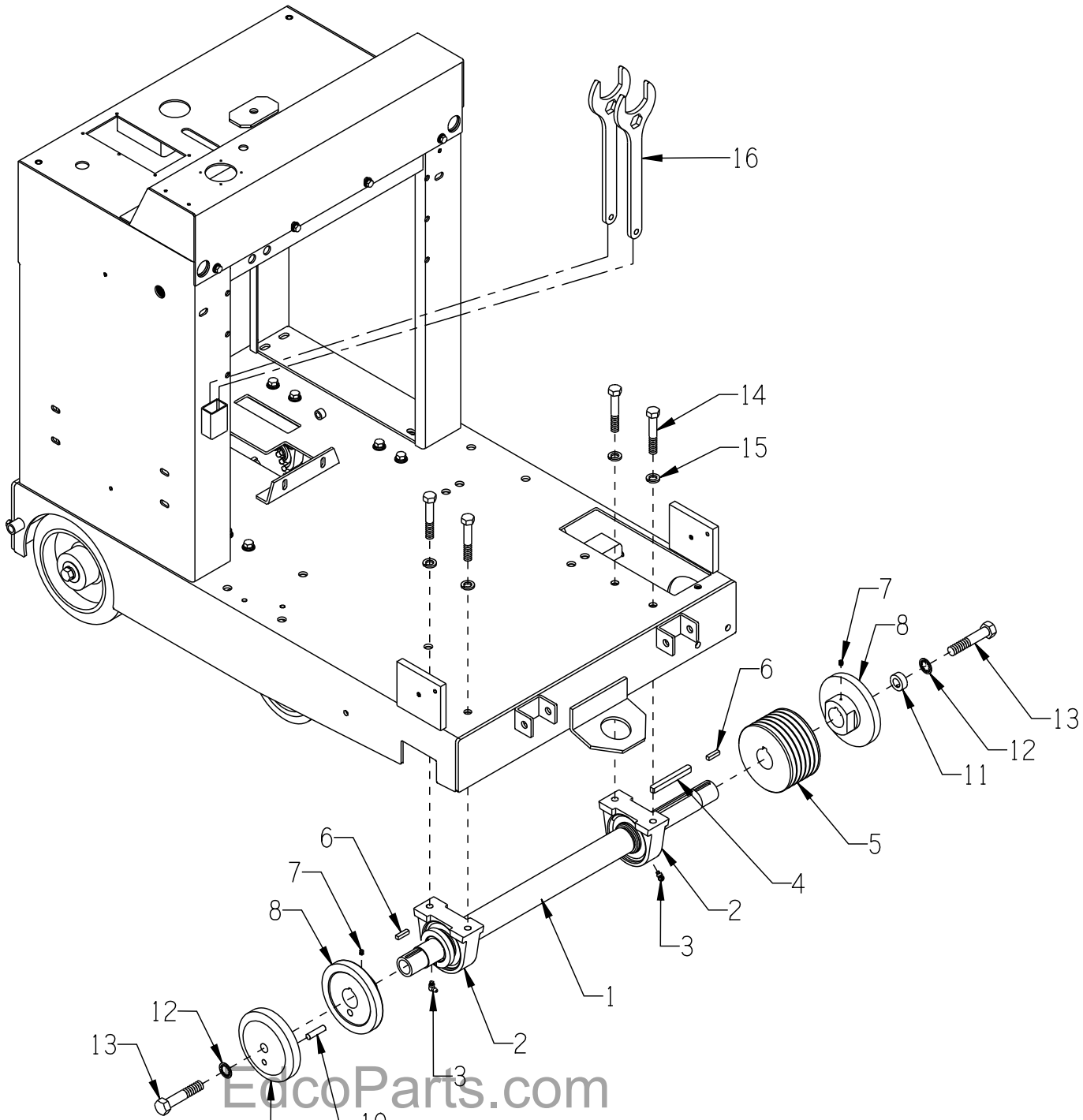
An iBuy Stores Company

PARTS LISTING - ILLUSTRATION 6: CLUTCH GROUPING			
ITEM #	PART #	DESCRIPTION	QTY.
1	50049	BEARING, BALL 3/4" 2-HOLE FLANGE	2
2	10960	FITTING, GREASE 1/4-28 X 45°	2
3	50509	MOUNT, JACKSHAFT BEARING	1
4	10309	SCREW, CAP 3/8-24 X 1-1/4 ZINC	2
5	10025	WASHER, FLAT 3/8 SAE ZINC	8
6	10811	WASHER, LOCK 3/8 ZINC	6
7	10014	NUT, HEX 3/8-24 ZINC	6
8	10021	SCREW, CAP 3/8-24 X 1	2
9	10428	COLLAR, LOCKING 3/4"ID	1
10	10768	CLAMP, HOSE, SAE #16, ADJ. TO 1-1/2	2
11	10930	BELLOWS 1-1/4ID X 2-3/8EL X 1-3/4RL	1
12	10922	SPRING, COMP. 1"OD X 3.75"FL	1
13	57044	CLUTCH SPRING CUP	1
14	10009	WASHER, FLAT 3/4 SAE ZINC	2
15	3695	SEAL, OIL .750 X 1.375 X .250	1
16	10808	FITTING, GREASE 1/4-28 STRAIGHT	1
17	57042	CLUTCH, DOG BLOCK	1
18	50518	JACKSHAFT, CLUTCH 11-1/2", SS-26	1
19	10307	KEY 1/4SQ X 2-1/4	1
20	50523	KEY 3/16SQ X 1-1/8	1
21	50476	SPROCKET, CLUTCH #35A60	1
22	57038A	BEARING & CARRIER ASSY., CLUTCH	1
23	57038	BEARING, BALL 3/4ID X 1.8504"OD	1
24	57039	CARRIER, CLUTCH BEARING	1
25	10354	SCREW, SKT. HD. CAP 3/8-24 X 1-3/4	2
26	10113	SPACER, STEEL 9/16OD X 3/8ID X 7/32	2
27	10811	WASHER, LOCK 3/8 ZINC	2
28	10014	NUT, HEX 3/8-24 ZINC	2
29	64032	CHAIN #35 X 24-1/2" + CL	1
30	50508	MOUNT, TRANSMISSION, SS-26	1
31	50436	SPROCKET #40B10 X 3/4"BORE	1

888-634-4289

An iBuy Stores Company

**ILLUSTRATION 7: ARBOR GROUPING**



EdcoParts.com  
888-634-4289

An iBuy Stores Company

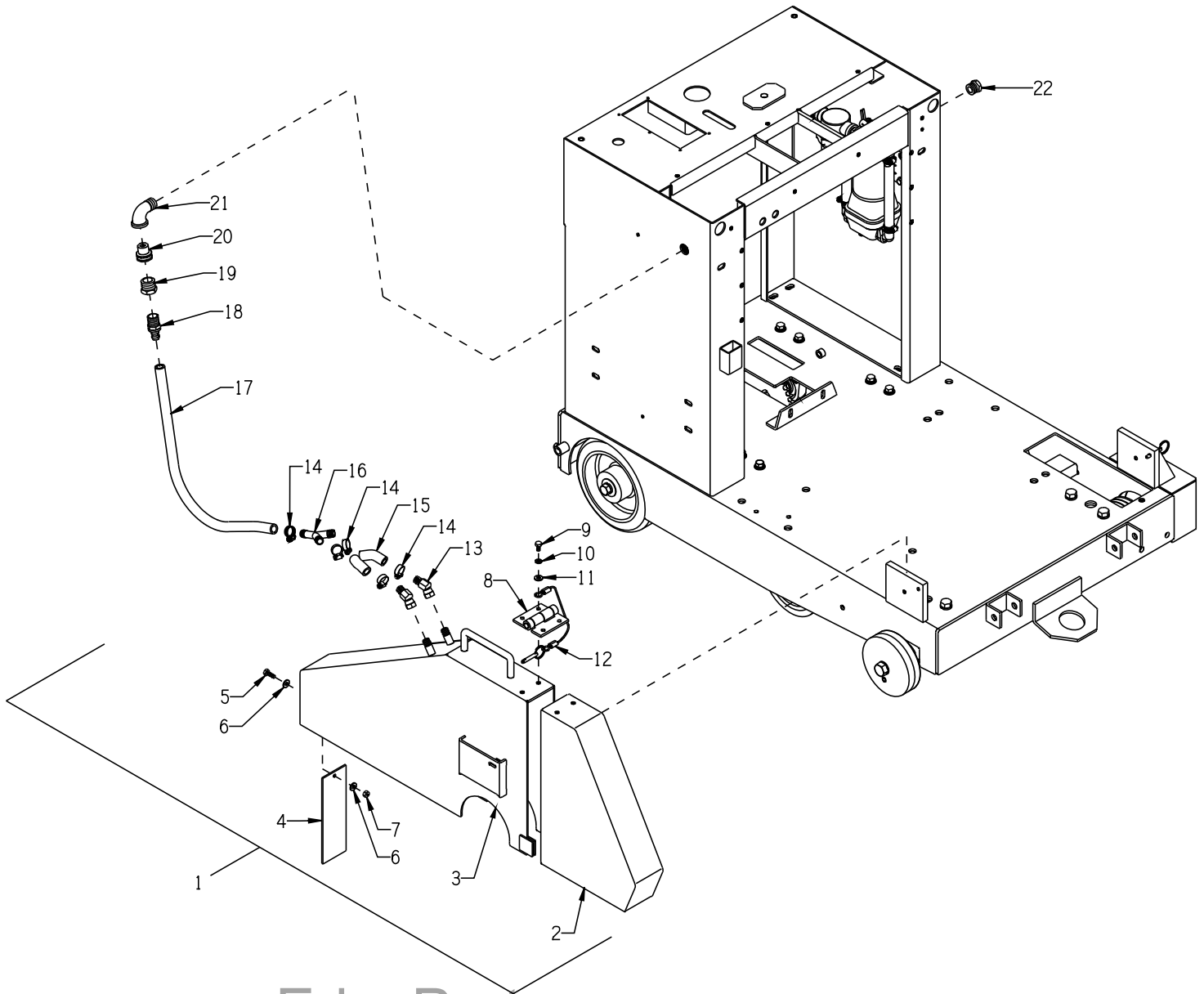
<b>PARTS LISTING - ILLUSTRATION 7: ARBOR GROUPING</b>			
ITEM #	PART #	DESCRIPTION	QTY.
1	50720	ARBOR SHAFT 28-1/8"L, SS-26	1
2	10111	BEARING, BALL 1-1/2" TAP PIL. BLOCK	2
3	10961	FITTING, GREASE 1/4-28 X 90°	2
4	10074	KEY 3/8SQ X 3-1/2	1
5	10512	SHEAVE 4.80"OD X 6GR.3V X 1-7/16"B (30" BLADE SET-UP)	1
6	10174	KEY 1/4SQ X 1	2
7	10161	SCREW, SET 1/4-28 X 5/16	2
8	50734 50721	ARBOR BACKING PLATE 6" (30" BLADE SET-UP) 5" (14" - 26" BLADE SET-UP)	2
9	57405 57403	ARBOR BLADE CAP 6" (30" BLADE SET-UP) 5" (14" - 26" BLADE SET-UP)	1
10	50722	PIN, SHEAR PROOF 3/8 X 1-1/2	1
11	10096	COLLAR, LOCKING 5/8"ID (SET SCREW REMOVED)	1
12	10457	WASHER, LOCK, INT. TOOTH 5/8"	2
13	10359	SCREW, CAP 5/8-11 X 3-1/4	2
14	10499	SCREW, CAP 1/2-13 X 3	4
15	10045	WASHER, LOCK 1/2 ZINC	4
16	57406	WRENCH, ARBOR, 2" & 15/16" COMBO	2

EdcoParts.com

888-634-4289

An iBuy Stores Company

**ILLUSTRATION 8: BLADE GUARD GROUPING**



EdcoParts.com

888-634-4289

An iBuy Stores Company

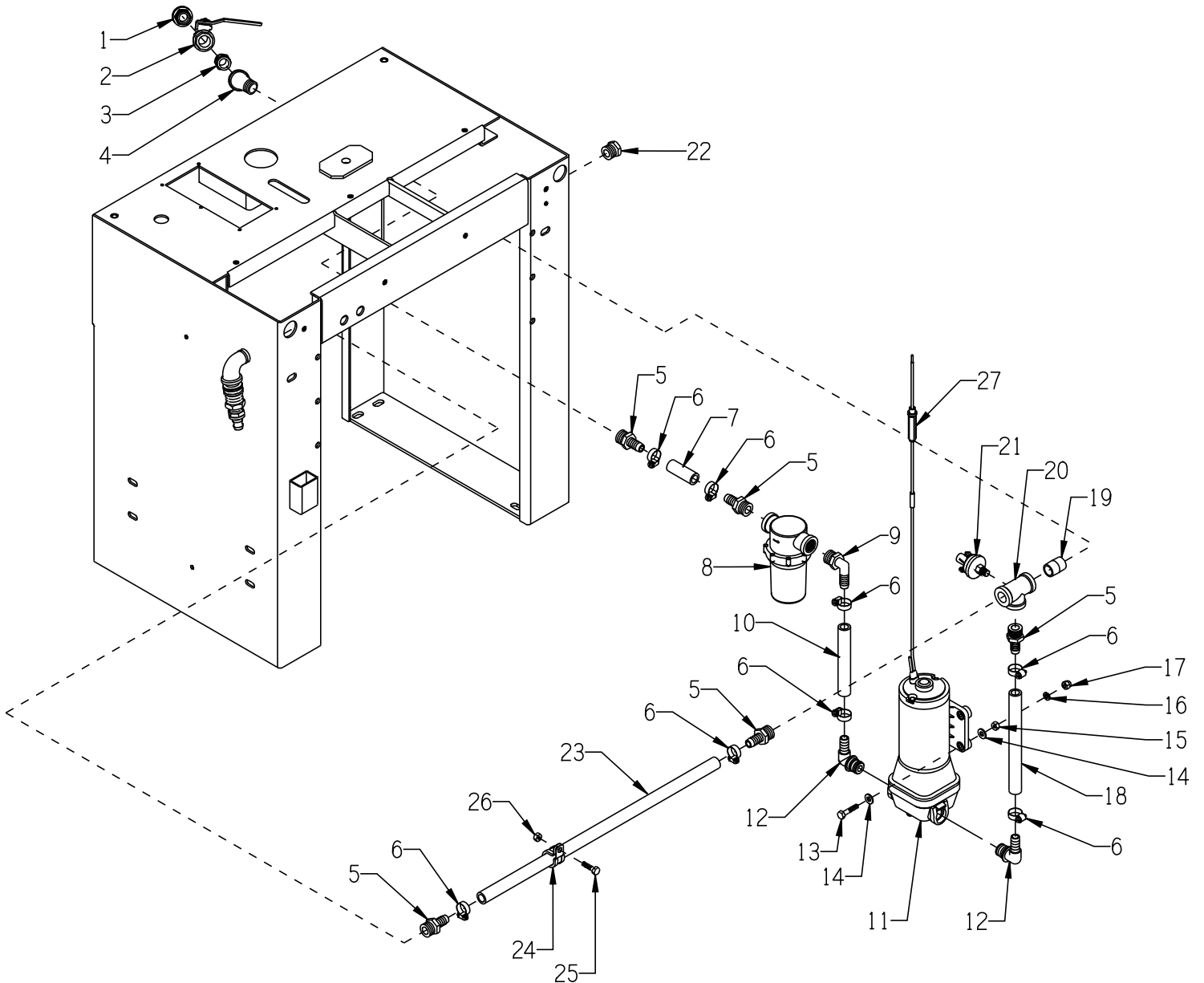
PARTS LISTING - ILLUSTRATION 8: BLADE GUARD GROUPING			
ITEM #	PART #	DESCRIPTION	QTY.
1	50735A* 57449A* 57450A* 57451A*	BLADE GUARD ASSEMBLY (ITEMS 2 THRU 16) *NOTE: DROP "A" SUFFIX FOR ITEMS 2, 3, 8, 9 10, & 11. 30" BLADE 24" - 26" BLADE (SHOWN) 18" - 20" BLADE 14" - 16" BLADE	1
2	50735F 57449F 57450F 57451F	BLADE GUARD FRONT ONLY 30" BLADE 24" - 26" BLADE (SHOWN) 18" - 20" BLADE 14" - 16" BLADE	1
3	50735R 57449R 57450R 57451R	BLADE GUARD REAR ONLY 30" BLADE 24" - 26" BLADE (SHOWN) 18" - 20" BLADE 14" - 16" BLADE	1
4	41115	FLAP, RUBBER 2-1/2 X 8	1
5	10018	SCREW, CAP 1/4-20 X 3/4	1
6	10602	WASHER, FLAT 1/4 SAE ZINC	2
7	10015	NUT, HEX LOCK 1/4-20 ZINC	1
8	11617	HINGE, BUTT 3 X 3 X 7GA.	1
9	10834	SCREW, CAP 1/4-20 X 1/2 ZINC	4
10	10038	WASHER, LOCK 1/4 ZINC	4
11	10602	WASHER, FLAT 1/4 SAE ZINC	1
12	57482 57483 57484 57485	PIN & CABLE 30" BLADE GUARD 24" - 26" BLADE GUARD 18" - 20" BLADE GUARD 14" - 16" BLADE GUARD	1
13	10710	FITTING, SWIVEL 45, 1/4NPT HYD.	2
14	50069	CLAMP, HOSE, SAE #6, ADJ. TO 13/16	5
15	50532	HOSE, WATER 1/2"ID X 2"L	2
16	10682	BARBED FITTING, "Y" 1/2"HOSE	1
17	57194 57183 57140	HOSE 1/2"ID 22"L FOR 30" GUARD 24"L FOR 24" - 26" GUARD 26"L FOR 14" - 16" & 18" - 20" GUARDS	1
18	80061	BARB, PUSH-ON 1/2HOSE X 1/2MPT	1
19	10780	CONN., MALE 3/4NH X 1/2FPT (BRASS)	1
20	80021	CONN., SWIVEL FEM. 3/4HOSE X 1/2MPT	1
21	10724	ELBOW, STREET 1/2NPT X 90 (BLACK)	1
22	50552	PIPE PLUG 1/2 NPT (BRASS)	1

EdcoParts.com

888-634-4280

An iBuy Stores Company

**ILLUSTRATION 9: WATER PUMP GROUPING**



EdcoParts.com

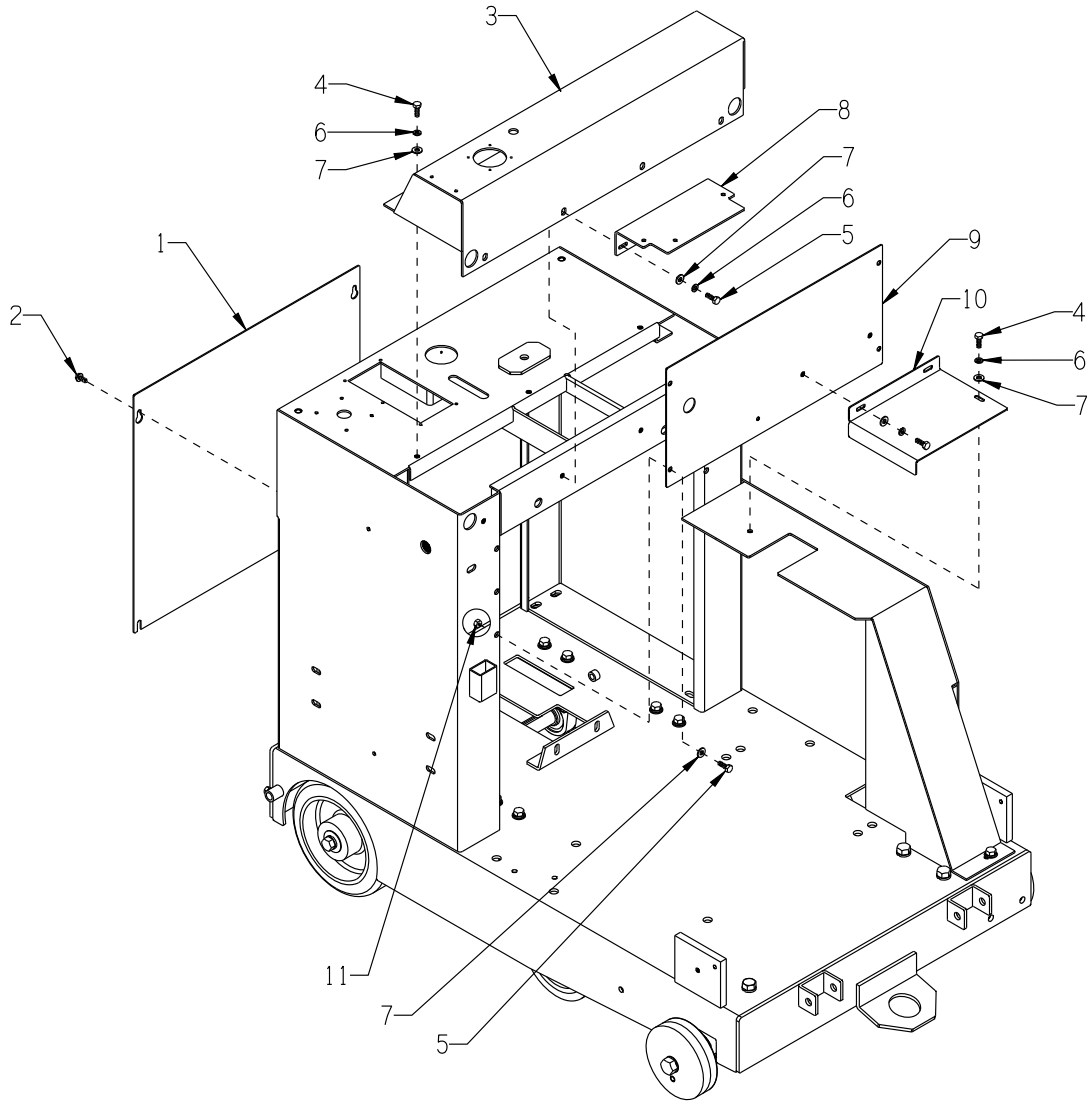
888-634-4289

An iBuy Stores Company

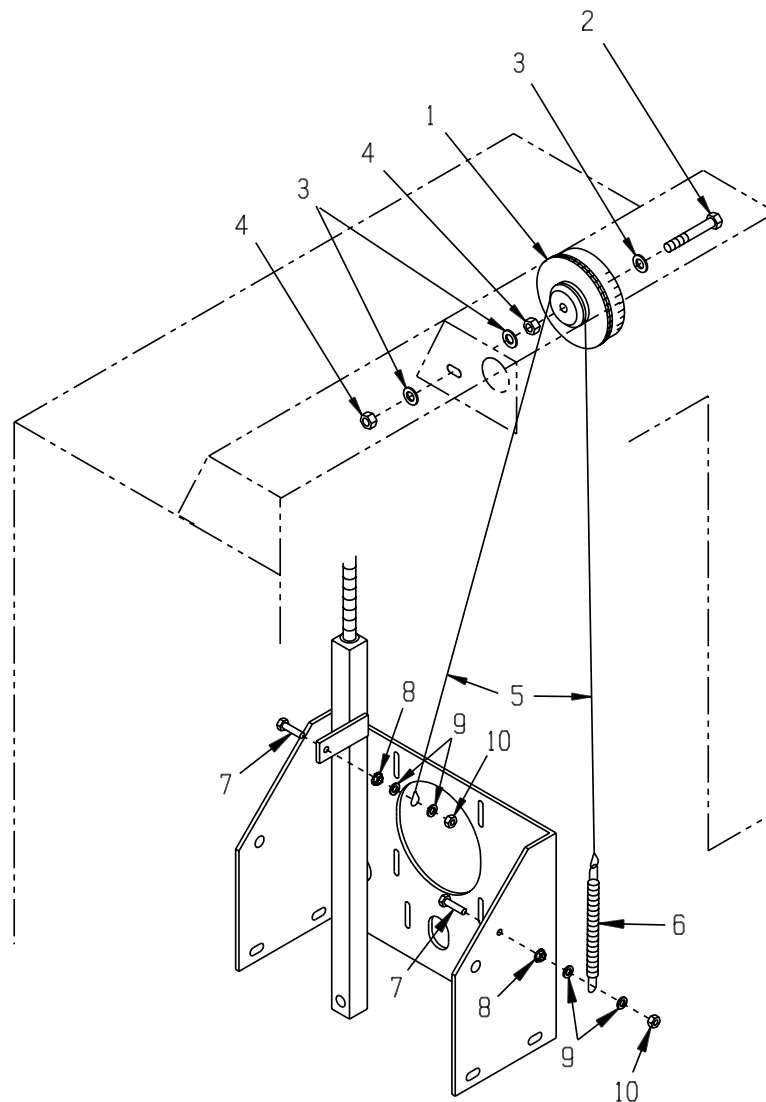
PARTS LISTING - ILLUSTRATION 9: WATER PUMP GROUPING			
ITEM #	PART #	DESCRIPTION	QTY.
1	80021	CONN., SWIVEL FEM. 3/4HOSE X 1/2MPT	1
2	10711A	VALVE & HOSE CONNECTOR ASSY.	1
	10711	VALVE, BALL 1/2 FPT	1
3	10679	NIPPLE, HEX 1/2NPT (BRASS)	1
4	10734	ELBOW, STREET 1/2NPT X 45 (BLACK)	1
5	10680	BARB, 1/2HOSE X 1/2MPT (PLASTIC)	5
6	50069	CLAMP, HOSE, SAE #6, ADJ. TO 13/16	8
7	50532	HOSE, WATER 1/2"ID X 2"L	1
8	57170	STRAINER, NYLON T-STYLE 1/2FPT	1
9	50471	BARB ELBOW 90, 1/2HOSE X 1/2MPT	1
10	57168	HOSE, WATER 1/2"ID X 4-7/8"L	1
11	50470	PUMP, WATER, 12VDC, FLOJET QUAD (INCLUDES ITEM 12)	1
12	50469	PUMP QUAD PORT BARB ELBOW 1/2" (INCLUDED W/ PUMP, ITEM 11)	2
13	10905	SCREW, CAP 1/4-20 X 1-1/4	4
14	10602	WASHER, FLAT 1/4 SAE ZINC	8
15	10015	NUT, HEX LOCK 1/4-20 ZINC	4
16	10038	WASHER, LOCK 1/4 ZINC	4
17	10876	NUT, ACORN 1/4-20	4
18	57176	HOSE, WATER 1/2"ID X 7-1/4"L	1
19	10728	PIPE NIPPLE, CLOSE 1/2NPT (BLACK)	1
20	50525	PIPE TEE, WATER PRESS. SW. 1/2 NPT	1
21	51030	SWITCH, PRESSURE, 76061 2 N/C	1
22	50552	PIPE PLUG 1/2 NPT (BRASS)	1
23	50655	HOSE, WATER 1/2"ID X 20"L, SS-26	1
24	11565	CLAMP, LOOM, 5/8" (SAE SIZE 10) RUBBER PIECE REMOVED	1
25	10031	SCREW, CAP 1/4-20 X 1	1
26	10861	NUT, KEPS LOCK 1/4-20 ZINC	1
27	50447	FUSE & HOLDER, 10 AMP	1

888-634-4289

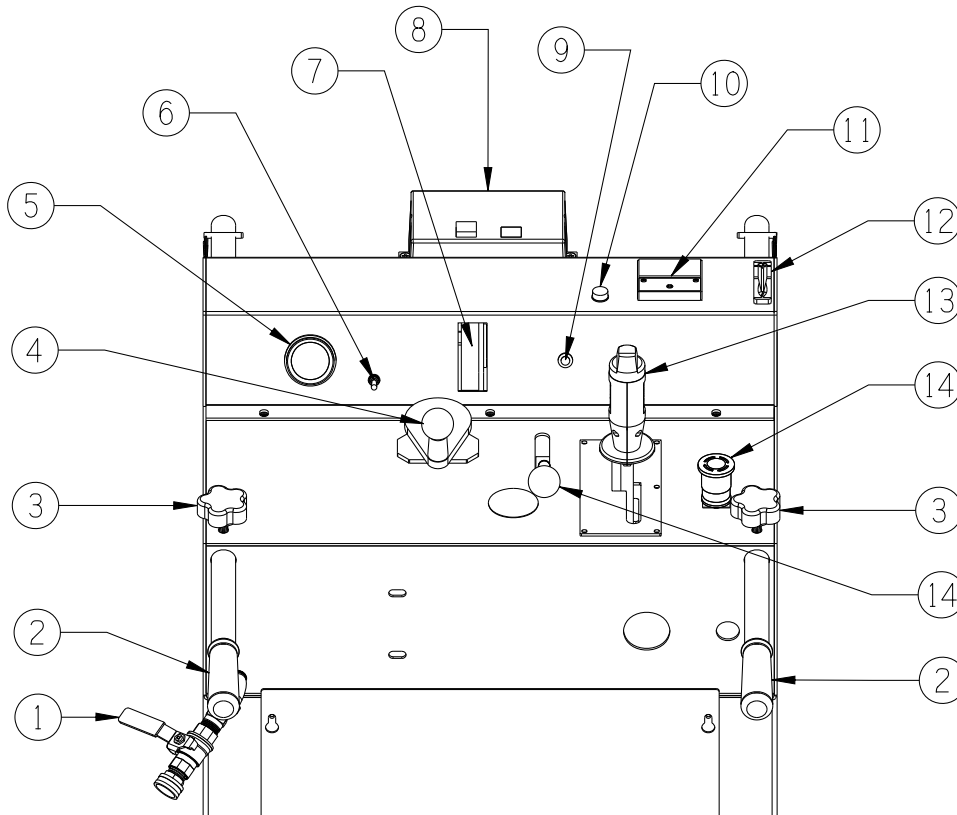
An iBuy Stores Company

**ILLUSTRATION 10: INSTRUMENT PANEL, CONSOLE FRONT & REAR PANEL GROUPING**

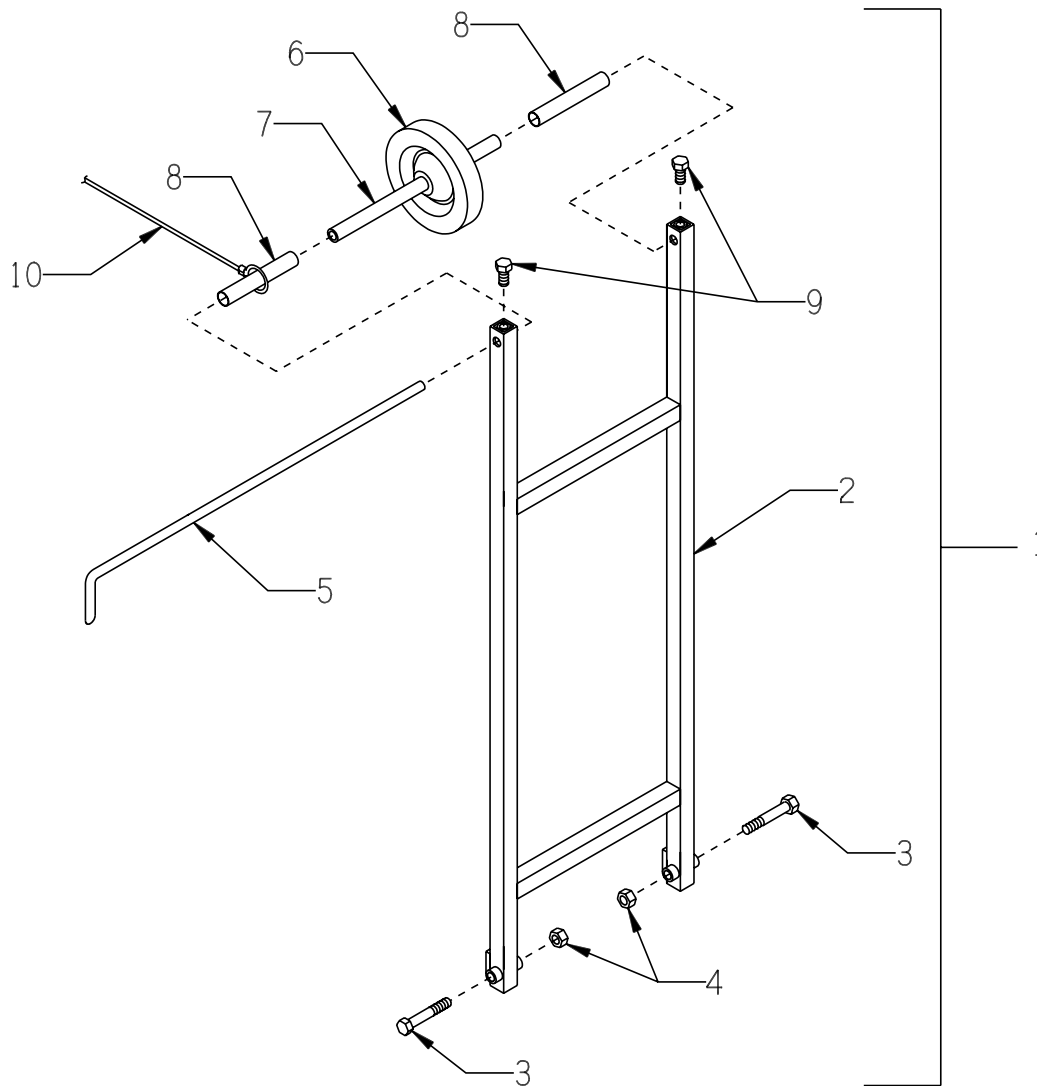
ITEM #	PART #	DESCRIPTION	QTY.
1	50674	BACK PANEL, SS26-15B	1
2	10846	SCREW, CAP STSHW 1/4-20 X 1/2	4
3	50651E	INSTRUMENT PANEL, SS26-15B	1
4	10018	SCREW, CAP 1/4-20 X 3/4	5
5	10031	SCREW, CAP 1/4-20 X 1	2
6	10038	WASHER, LOCK 1/4 ZINC	10
7	10602	WASHER, FLAT 1/4 SAE ZINC	14
8	50664	MOUNTING BRKT., CONTROL BOX, SS26E	1
9	50668	CONSOLE FRONT COVER, SS26E	1
10	50669	ALTERNATOR COVER, SS26E	1
11	10150	NUT, HEX NYLON LOCK 1/4-20 ZINC	4

**ILLUSTRATION 11: BLADE DEPTH GAUGE GROUPING**

ITEM #	PART #	DESCRIPTION	QTY.
1	57132	WHEEL, DEPTH GAUGE	1
2	10336	SCREW, CAP 3/8-24 X 2-1/4	1
3	10025	WASHER, FLAT 3/8 SAE ZINC	3
4	10004	NUT, HEX LOCK 3/8-24 ZINC	2
5	57143	CABLE, DEPTH GAUGE 3/32 X 34"L	1
6	3636	SPRING, EXT. 6"L	1
7	10031	SCREW, CAP 1/4-20 X 1	2
8	10861	NUT, KEPS LOCK 1/4-20 ZINC	2
9	10602	WASHER, FLAT 1/4 SAE ZINC	4
10	10150	NUT, HEX NYLON LOCK 1/4-20 ZINC	2

**ILLUSTRATION 12: OPERATING CONTROLS**

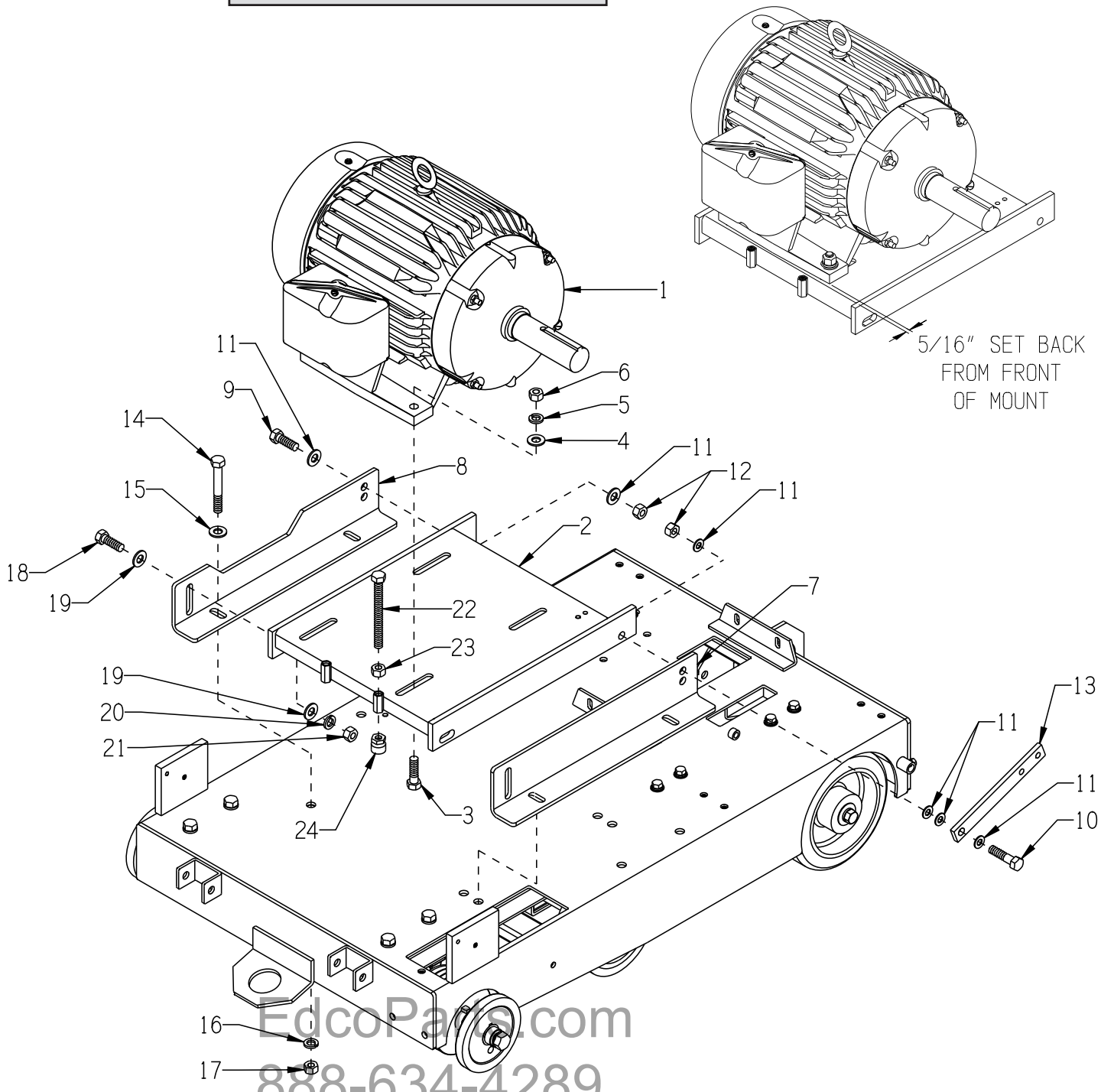
ITEM #	PART #	DESCRIPTION	QTY.
1	-----	WATER HOOK-UP AND VALVE (ILLUS. 9)	1
2	-----	EXTENDABLE HANDLES (ILLUS. 1)	2
3	51230	HANDLE LOCK KNOB, STAR CLAMPING 3/8-16 X 1"STUD (ILLUS. 1)	2
4	-----	DEPTH CONTROL (ILLUS. 2)	1
5	10637	METER, HOUR 2-1/16"	1
6	10633	"WATER PUMP" SWITCH, TOGGLE SPST	1
7	-----	DEPTH INDICATOR (ILLUS. 11)	1
8	-----	ON/OFF STARTER BOX (ILLUS. 18)	1
9	10633	"BATTERY SAVER" SWITCH, TOGGLE SPST	1
10	16544	"LOW WATER PRESSURE ALERT" LAMP, 12V JUMBO RED	1
11	16543	AMMETER, AC ANALOG 0-50 AMP	1
12	11591	ROPE CLEAT, NYLON JAM 3/16"-5/16"	1
	11594	SCREW, MACHINE 10-32 X 5/8, SLT.FLT	2
	10832	NUT, KEPS LOCK 10-32 ZINC	2
13	-----	DRIVE LEVER W/ BLADE LIFT/LOWER SWITCH (ILLUS. 4)	1
14	-----	EMERGENCY STOP SWITCH (ILLUS. 18)	1
15	-----	CLUTCH CONTROL LEVER (ILLUS. 6)	1

**ILLUSTRATION 13: GUIDE BAR ASSEMBLY**

ITEM #	PART #	DESCRIPTION	QTY.
1	57119A	GUIDE BAR ASSEMBLY (INCLUDES ITEMS 2 THRU 9)	1
2	57119	GUIDE BAR	1
3	10202	SCREW, CAP 1/2-20 X 3	2
4	10154	NUT, HEX NYLON LOCK 1/2-20 ZINC	2
5	50514	POINTER, FRONT 24-1/2"	1
6	50536	WHEEL 5 X 1-1/2 X 3/4" BORE	1
7	57120	AXLE TUBE, GUIDE WHEEL	1
8	57171	SPACER TUBE 5-1/16, GUIDE BAR WHEEL	2
9	10304	SCREW, CAP 1/2-20 X 1	2
10	50555	ROPE, GUIDE BAR (NOT INCLUDED W/ GUIDE BAR ASSY.)	1

**ILLUSTRATION 14:  
MOTOR & MOUNT GROUPING**

**MOTOR SETTING**



EdcoParts.com  
888-634-4289

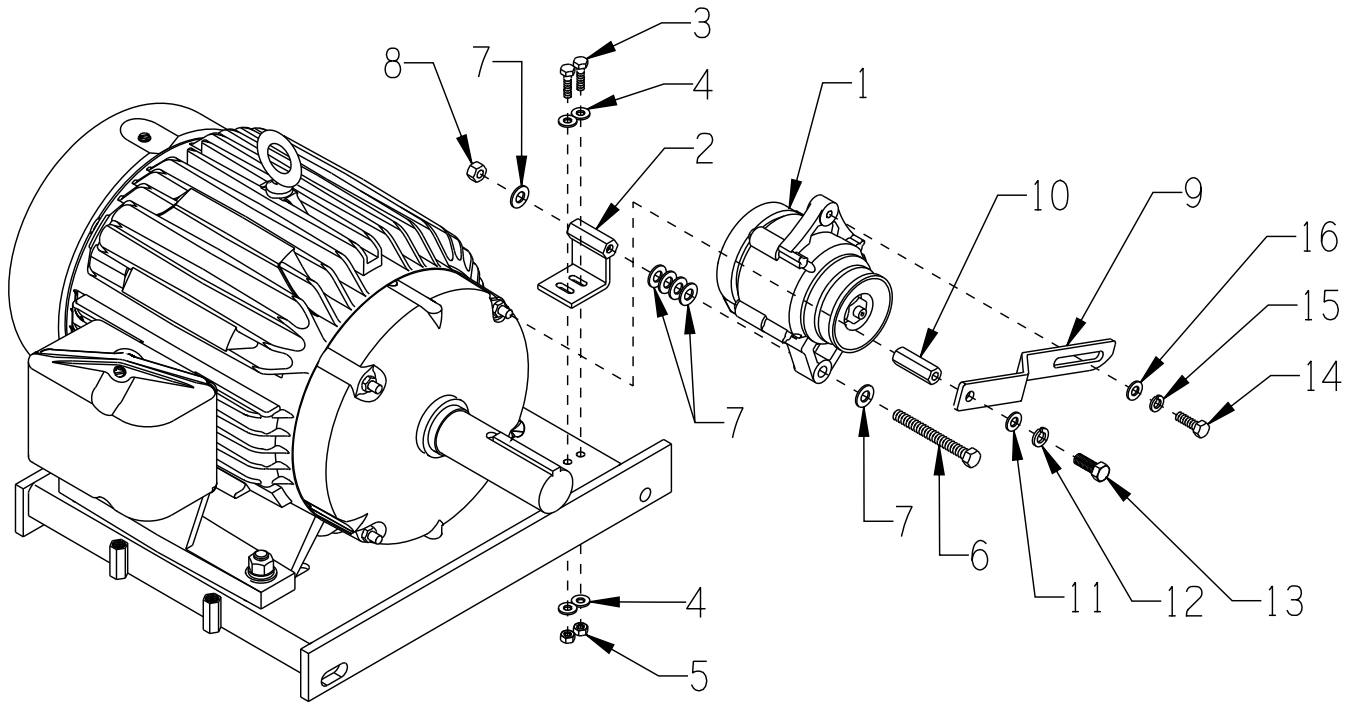
An iBuy Stores Company

<b>PARTS LISTING - ILLUSTRATION 14: MOTOR &amp; MOUNT GROUPING</b>			
<b>ITEM #</b>	<b>PART #</b>	<b>DESCRIPTION</b>	<b>QTY.</b>
1	16076 16085	MOTOR BALDOR 15HP-3PH-60HZ-1755RPM BALDOR 15HP-3PH-50HZ-1460RPM	1
2	50506E	MOUNT, MOTOR, SS26-15B	1
3	10498	SCREW, CAP 1/2-20 X 1-3/4	4
4	10312	WASHER, FLAT 1/2 SAE ZINC	4
5	10045	WASHER, LOCK 1/2 ZINC	4
6	10072	NUT, HEX 1/2-20 ZINC	4
7	50507	BRACKET, ENGINE/MOTOR MOUNT, SS26-15B	1
8	50507E	BRACKET, MOTOR MOUNT, SS-26 ELEC.	1
9	10308	SCREW, CAP 1/2-20 X 1-1/2	1
10	10322	SCREW, CAP 1/2-20 X 2	1
11	10312	WASHER, FLAT 1/2 SAE ZINC	6
12	10205	NUT, HEX LOCK 1/2-20 ZINC	2
13	50544	ARM, IDLER, SS-26	1
14	10324	SCREW, CAP 1/2-13 X 3-1/2	4
15	10312	WASHER, FLAT 1/2 SAE ZINC	4
16	10045	WASHER, LOCK 1/2 ZINC	4
17	10417	NUT, HEX 1/2-13 ZINC	4
18	10356	SCREW, CAP 1/2-13 X 1-1/2	2
19	10312	WASHER, FLAT 1/2 SAE ZINC	4
20	10045	WASHER, LOCK 1/2 ZINC	2
21	10417	NUT, HEX 1/2-13 ZINC	2
22	10373	BOLT, TAP 1/2-13 X 5 (FULL THREAD)	2
23	10417	NUT, HEX 1/2-13 ZINC	2
24	50710	TOGGLE PAD 7/8"D X 15/16"H X 1/2-13	2

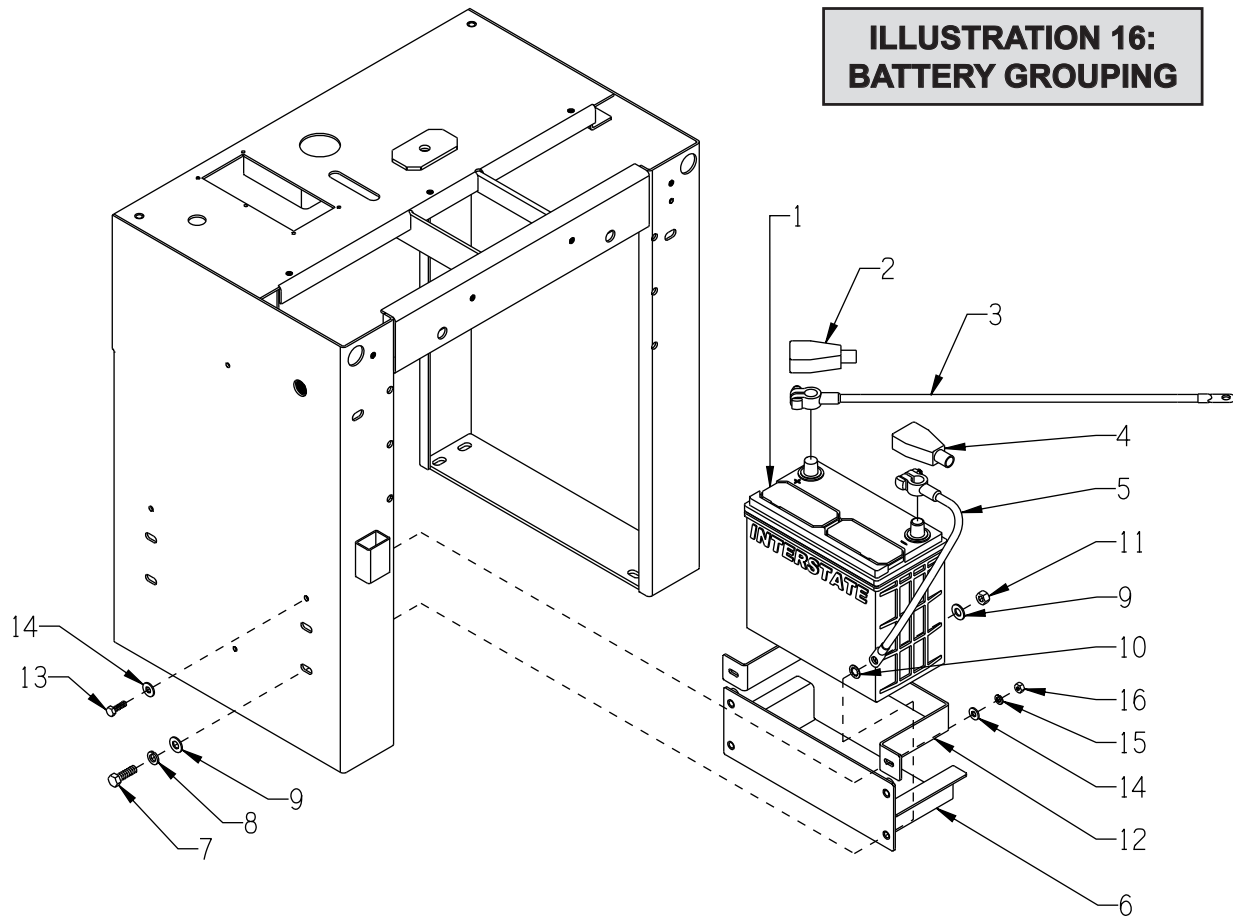
EdcoParts.com

888-634-4289

An iBuy Stores Company

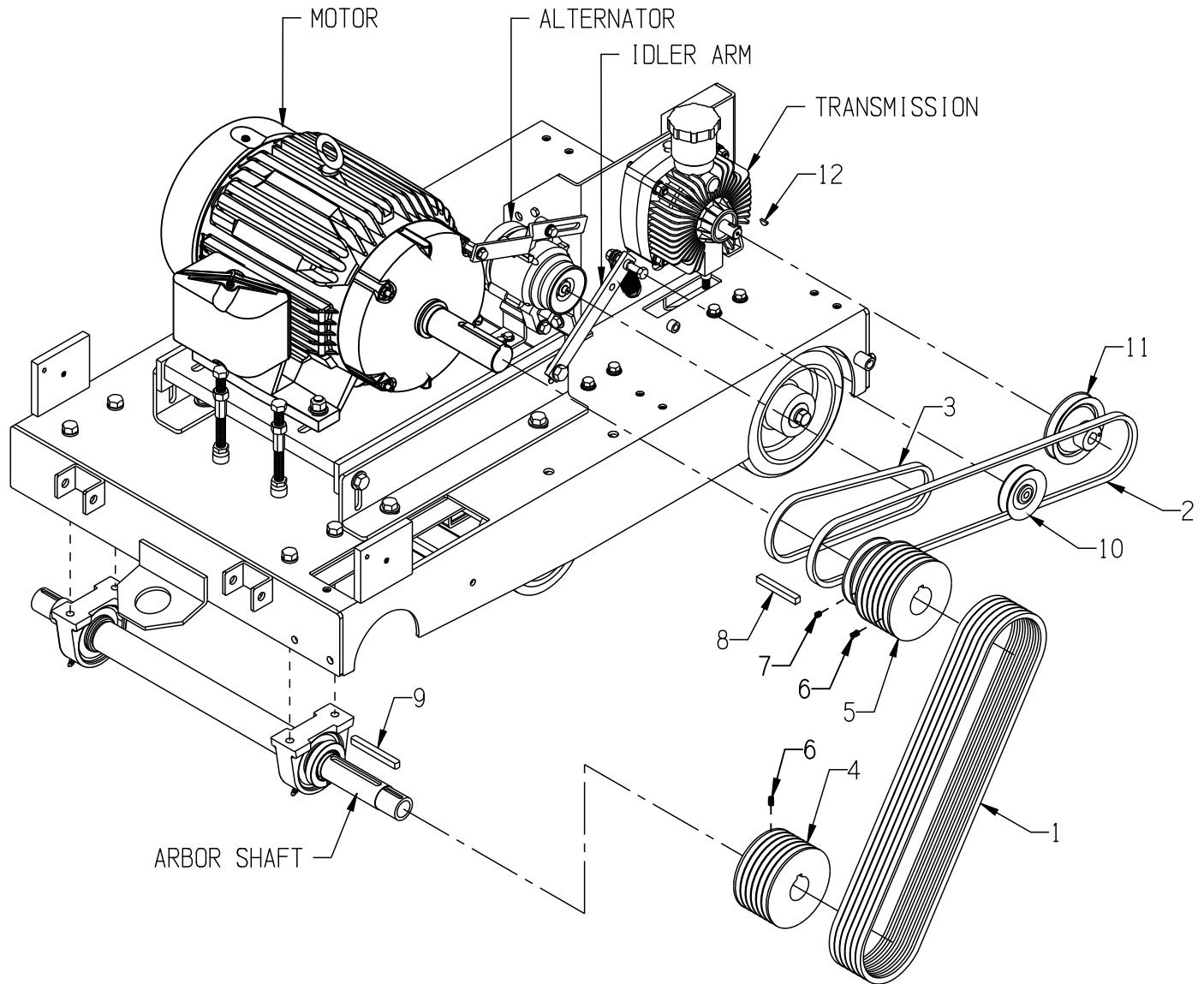
**ILLUSTRATION 15: ALTERNATOR GROUPING**

ITEM #	PART #	DESCRIPTION	QTY.
1	15260	ALTERNATOR, 12V/40A MINI ONE-WIRE	1
2	50672	ALTERNATOR BRACKET, SS26E	1
3	10031	SCREW, CAP 1/4-20 X 1	2
4	10602	WASHER, FLAT 1/4 SAE ZINC	4
5	10015	NUT, HEX LOCK 1/4-20 ZINC	2
6	52015	BOLT, TAP 3/8-16 X 3-1/2(FULL THD.)	1
7	10025	WASHER, FLAT 3/8 SAE ZINC (SPACE AS REQ'D.)	6
8	10810	NUT, HEX LOCK 3/8-16 ZINC	1
9	50671	ALTERNATOR TENSIONER BRKT, SS26E	1
10	10447	ROD COUPLING 3/8-16 X 1-3/4	1
11	10025	WASHER, FLAT 3/8 SAE ZINC	1
12	10811	WASHER, LOCK 3/8 ZINC	1
13	10055	SCREW, CAP 3/8-16 X 1	1
14	10806	SCREW, CAP 5/16-18 X 1	1
15	10801	WASHER, LOCK 5/16 ZINC	1
16	10213	WASHER, FLAT 5/16 SAE ZINC	1

**ILLUSTRATION 16:  
BATTERY GROUPING**


ITEM #	PART #	DESCRIPTION	QTY.
1	50321	BATTERY 12 VOLT/500 CCA(POST TERM.) INTERSTATE MT-51R	1
2	10928	INSULATOR, BAT.TERM.POST (RED)	1
3	50324R	CABLE, BATTERY 4GA. X 24" (RED)	1
4	10929	INSULATOR, BAT.TERM.POST (BLACK)	1
5	50323B	CABLE, BATTERY 4GA. X 12" (BLACK)	1
6	50677	TRAY, BATTERY, SS26-35K/15B NOTE: TRAY FOR INTERSTATE MT-51R BATTERY.	1
7	10333 10907	SCREW, CAP 3/8-16 X 1-1/4 SCREW, CAP 3/8-16 X 3/4	1 3
8	10811	WASHER, LOCK 3/8 ZINC	4
9	10025	WASHER, FLAT 3/8 SAE ZINC	5
10	10453	WASHER, LOCK, INT. TOOTH 3/8"	1
11	10404	NUT, HEX 3/8-16 ZINC	1
12	50678	STRAP, BATTERY, SS26-35K/15B NOTE: STRAP FOR INTERSTATE MT-51R BATTERY.	1
13	10031	SCREW, CAP 1/4-20 X 1	2
14	10602	WASHER, FLAT 1/4 SAE ZINC	4
15	10038	WASHER, LOCK 1/4 ZINC	2
16	10015	NUT, HEX LOCK 1/4-20 ZINC	2

**ILLUSTRATION 17: BELT DRIVE GROUPING**



EdcoParts.com

888-634-4289

An iBuy Stores Company

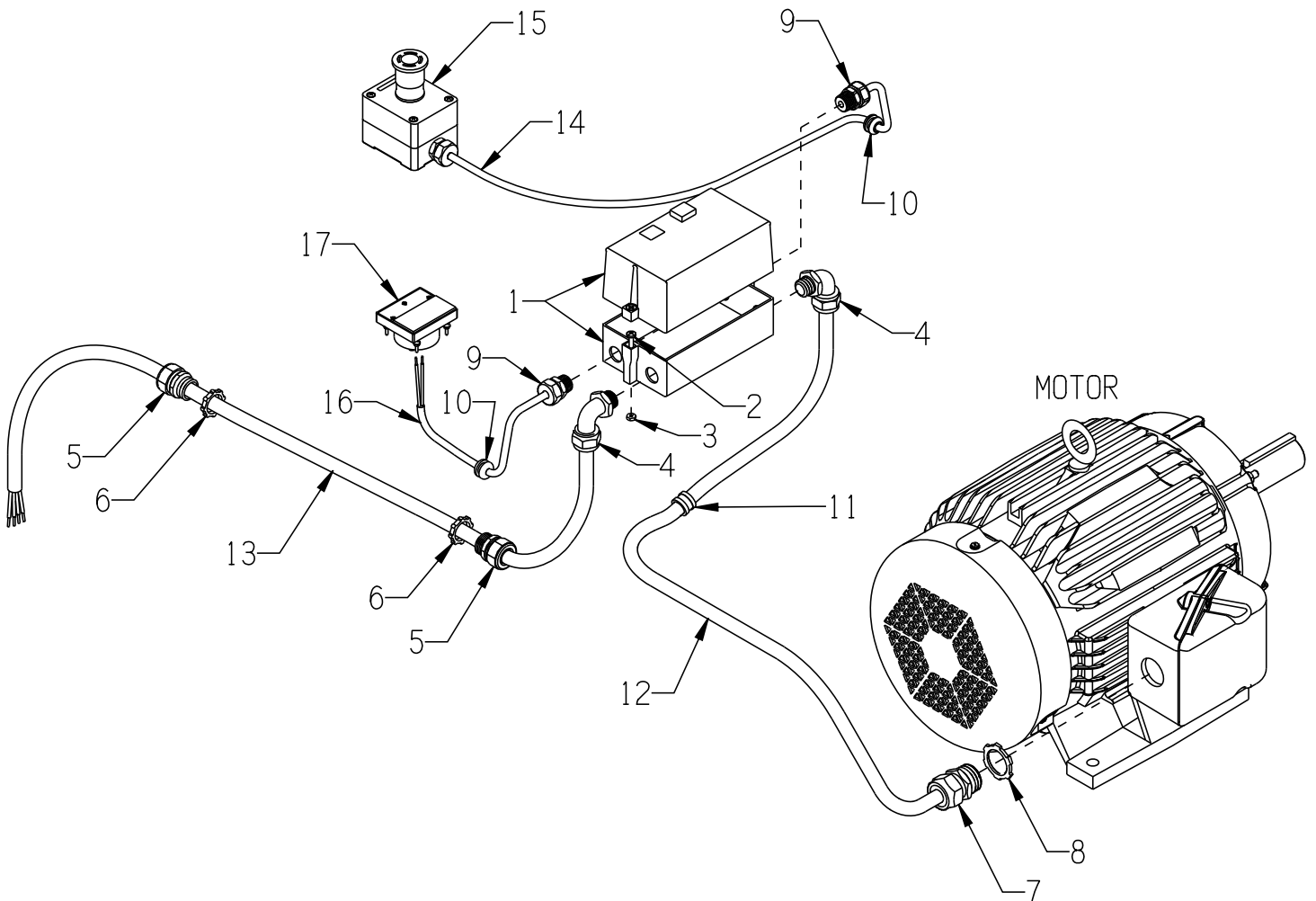
<b>PARTS LISTING - ILLUSTRATION 17: BELT DRIVE GROUPING</b>			
<b>ITEM #</b>	<b>PART #</b>	<b>DESCRIPTION</b>	<b>QTY.</b>
1	10235	BELT 3VX-475	6
2	10284	BELT A-55	1
3	10262	BELT A-28	1
4	10512	SHEAVE 4.80"OD X 6GR.3V X 1-7/16"B	1
5	50676	SHEAVE (2 SHEAVES WELDED TOGETHER) 50673 - 4"DIA. X (2) A-GROOVES X 1-5/8"B 50675 - 4.8"DIA. X (6) 3V-GROOVES X 1-5/8"BORE	1
6	11854	SCREW, SET 10-32 X 1/2	8
7	10139	SCREW, SET 1/4-20 X 5/16	2
8	-----	KEY 3/8SQ X 2-7/8 (INCLUDED W/ MOTOR)	1
9	10074	KEY 3/8SQ X 3-1/2	1
10	50115	IDLER PULLEY 3"OD X 1GR.AB X 3/8"B	1
11	50062	SHEAVE, TRANS. 4"OD X 1GR. X .671"B	1
12	50071	KEY, WOODRUFF 1/8 X 1/2 (#404)	1

EdcoParts.com

888-634-4289

An iBuy Stores Company

**ILLUSTRATION 18:  
STARTER & E-STOP SWITCH GROUPING**

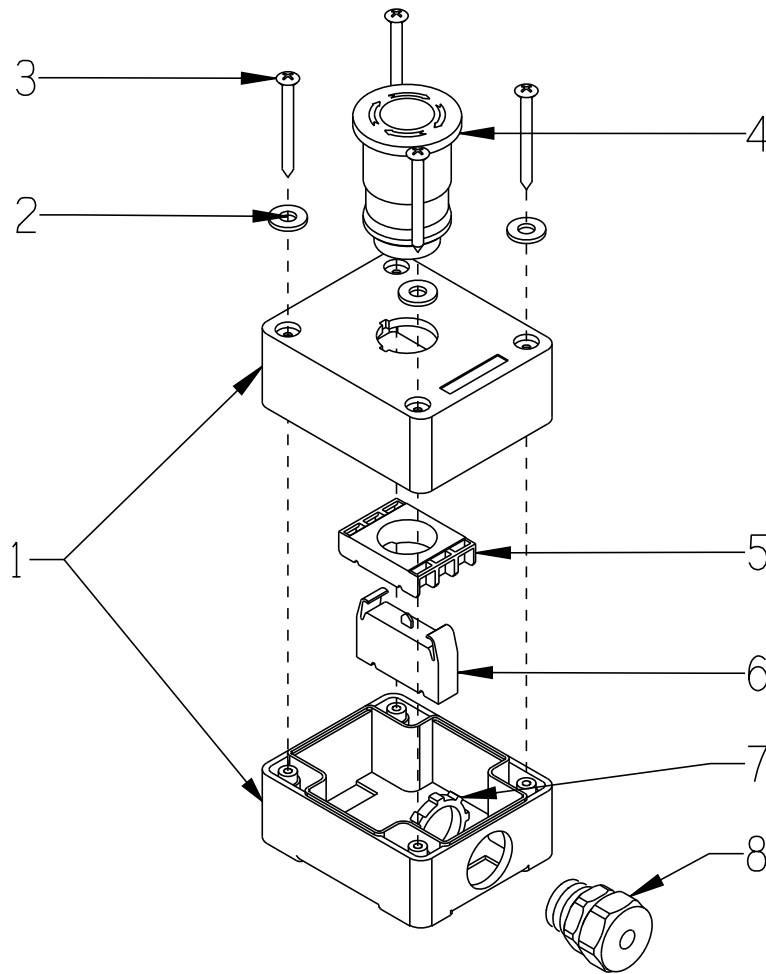


<b>PARTS LISTING - ILLUSTRATION 18: STARTER &amp; E-STOP SWITCH GROUPING</b>			
ITEM #	PART #	DESCRIPTION	QTY.
1	16416	STARTER ACI #128863 START-STOP (COMPLETE)	1
		REPLACEMENT PARTS:	
	16652	STARTER BOX ONLY HNFS18-20	1
	16618	STARTER CONT./COIL ACI SK18.310-460	1
	16623	STARTER AC COIL 440/480V-60HZ, 380/415-50HZ	1
	16637	STARTER OVERLOAD RELAY 17.5-21.5A	1
2	11732	SCREW, MACHINE 10-32 X 1-3/4 RHP	2
	10384	SCREW, MACHINE 10-32 X 1 RHP	1
3	10832	NUT, KEPS LOCK 10-32 ZINC	3
4	11621	STRAIN RELIEF 90D X 1/2NPT .625-.75	2
5	10605	STRAIN RELIEF 3/4NPT X .650-.750"	2
6	10740	CONDUIT LOCK NUT 3/4 NP	2
7	16172	STRAIN RELIEF 1"NPT X .625-.750"	1
8	10770	CONDUIT LOCK NUT 1" NP (LOCATED INSIDE JUNCTION BOX)	1
9	16190	STRAIN RELIEF 1/2NPT X .250-.350"	2
10	57148	GROMMET 3/8ID X 1/8GRV. X 5/8GD	2
11	11565	CLAMP, LOOM, 5/8" (SAE SIZE 10)	2
12	50680	CORD, MOTOR 10/4 600V X 66"LOA	1
13	50681	CORD, POWER 10/4 600V X 54"LOA	1
14	50682	CORD, E-STOP 16/2 300V X 45"LOA	1
15	-----	E-STOP SWITCH (SEE ILLUS. 19 FOR BREAKDOWN)	1
16	50683	CORD, AMMETER 16/2 300V X 24"LOA	1
17	16543	AMMETER, AC ANALOG 0-50 AMP	1

EdcoParts.com

888-634-4289

An iBuy Stores Company

**ILLUSTRATION 19: EMERGENCY STOP SWITCH**

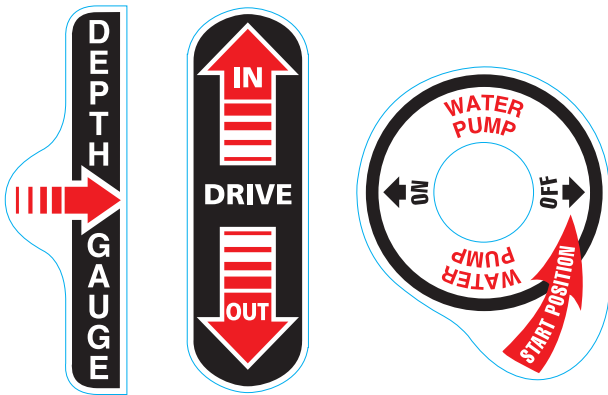
ITEM #	PART #	DESCRIPTION	QTY.
1	16668	ENCLOSURE, 1 HOLE ACI PBE1	1
2	10892	WASHER, FLAT #10 SS .218 X .437	4
3	-----	SCREW (INCLUDED W/ ENCLOSURE, ITEM 1)	4
4	15275	PUSHBUTTON, TURN TO RELEASE E-STOP	1
5	15276	MOUNTING ADAPTER, PUSHBUTTON	1
6	15278	CONTACT ELEMENT, NC RED LM2TC01	1
7	10790	CONDUIT LOCK NUT 1/2 NP	1
8	16190	STRAIN RELIEF 1/2NPT X .250-.350"	1

EdcoParts.com

888-634-4289

An iBuy Stores Company

**DECAL SHEET P/N 92032-4**

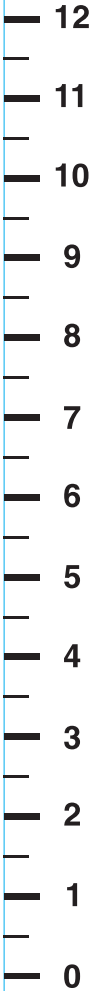


**DECAL KIT**  
 Model SS-26E  
 PN: 92032-4\_RevA

**LOW WATER  
 PRESSURE ALERT**

**BATTERY SAVER  
 TURN OFF WHEN  
 MACHINE NOT IN USE**

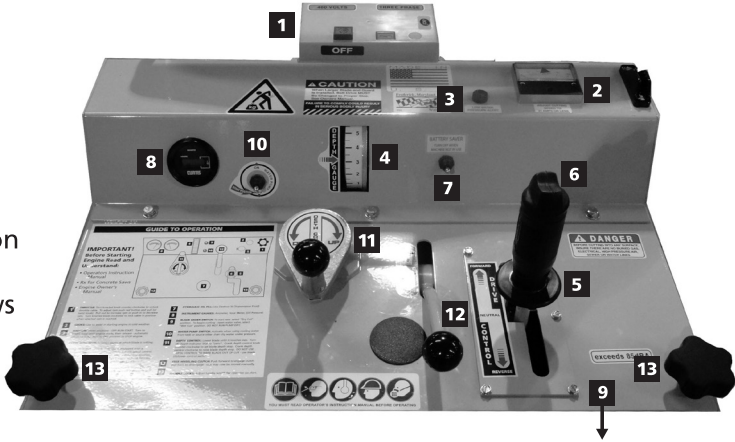
**ADJUST CUTTING  
 SPEED TO  
 21 AMPS OR LESS**



**GUIDE TO OPERATION**

**IMPORTANT!  
 Before Starting  
 Read and  
 Understand:**

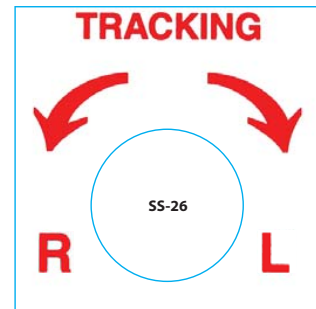
- Operators Instruction Manual
- Rx for Concrete Saws
- Engine Owner's Manual



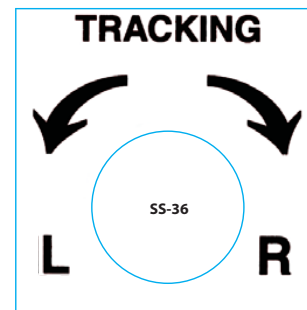
- |  |  |
|--|--|
| <p><b>1</b> <b>ON/OFF STARTER BOX:</b> Depress green button to energize motor. Depress red button to stop.</p> <p><b>2</b> <b>AMMETER:</b> Adjust forward cutting speed to 21 AMPS or less. Continued use above 21 AMPS will cause thermal overload to shut off machine.</p> <p><b>3</b> <b>LOWER WATER PRESSURE ALERT:</b> Will shut off machine to protect blade.</p> <p><b>4</b> <b>DEPTH INDICATOR:</b> Displays depth at which blade is cutting. Step cut for cuts deeper than 3".</p> <p><b>5</b> <b>SPEED CONTROL LEVER:</b> This saw is equipped with a hydrostatic transmission, which permits infinite speed control and acts as a dynamic brake when lever is in neutral position. Slowly moving lever forward causes the saw to move forward. Pulling the lever back causes the saw to move backward.</p> <p><b>6</b> <b>BLADE LIFT/LOWER CONTROL:</b> A toggle switch located on top of (5) Speed Control Lever hydraulically controls the raising and lowering of the blade.</p> | <p><b>7</b> <b>BATTERY SAVER:</b> Turn on to operate machine. Turn off to protect battery.</p> <p><b>8</b> <b>HOUR METER:</b> Records amount of time machine is turned on.</p> <p><b>9</b> <b>TRACKING:</b> Saw is preset at the factory. If saw pulls left or right while cutting contact your rental agent for adjustment. See operators manual for instructions.</p> <p><b>10</b> <b>WATER PUMP SWITCH:</b> Activate when using cooling water from tank or source other than city water under pressure.</p> <p><b>11</b> <b>DEPTH CONTROL:</b> Lower blade until it touches slab. Turn (4) Depth Indicator Dial to "zero". Crank depth control knob counter-clockwise to set blade depth stop. Crank depth control clockwise to raise blade depth stop. <b>DO NOT USE DEPTH CONTROL TO RAISE BLADE OUT OF CUT</b> - use blade lift/lower control switch.</p> <p><b>12</b> <b>FREE WHEELING CLUTCH:</b> Push forward to engage clutch pull back to disengage - saw may now be moved manually.</p> <p><b>13</b> <b>HANDLE LOCKS:</b> Adjust handle length for operator comfort.</p> |
|--|--|

**DECAL SHEET P/N 92032-2**

**DECAL KIT** Model SS-26 Model SS-36 PN: 92032-2 RevB



**CHECK OIL DAILY**



**DECAL SHEET P/N 92032-3**

P/N 92032-3 RevC

SS-26

14x17 Sheet

**! DANGER**  
 BEFORE CUTTING INTO ANY SURFACE,  
 INSURE THERE ARE NO BURIED GAS,  
 ELECTRICAL, HIGH PRESSURE AIR,  
 SEWER OR WATER LINES

**WATER  
HOOKUP**

**GASOLINE**



**YOU MUST READ OPERATOR'S INSTRUCTION MANUAL BEFORE OPERATING**

**Frederick, Maryland**  
  
 USA With Pride

**MADE IN**  
  
 U. S. A.

**EMERGENCY PUSH TO STOP**  
  
**TURN TO RELEASE**

**DOWN**  
  
**UP**

**exceeds 85dBA**



**LOW OIL**

**PRE-HEAT FOR 5 SECONDS**

**NO HANDS**



**! CAUTION**  
 When Larger Blade and Guard  
 Is Installed, Belt Drive **MUST**  
 Be Changed to Proper Size.  
 See Owners Manual.  
**FAILURE TO COMPLY COULD RESULT  
 IN SERIOUS BODILY INJURY**

**NO HANDS**

**CALIFORNIA PROPOSITION 65 WARNING**  
 The engine exhaust from this product contains  
 chemicals known to the State of California to cause  
 cancer, birth defects or other reproductive harm.

**SELF-PROPELLED  
SAWS**  
**EDCO**  
 SCAN FOR  
 TRAINING  
 MATERIAL

**DOWN**  
  
**UP**

**! CAUTION**  
**DISCONNECT ELECTRICAL POWER  
 SUPPLY OR SPARK PLUG**  
 To prevent injury when servicing or  
 changing blades or accessories

**YOU MUST READ OPERATOR'S INSTRUCTION MANUAL BEFORE OPERATING**

**DIESEL FUEL**