

TS96 RIDE-ON TROWEL INSTRUCTION MANUAL

CHASSIS ASSEMBLY

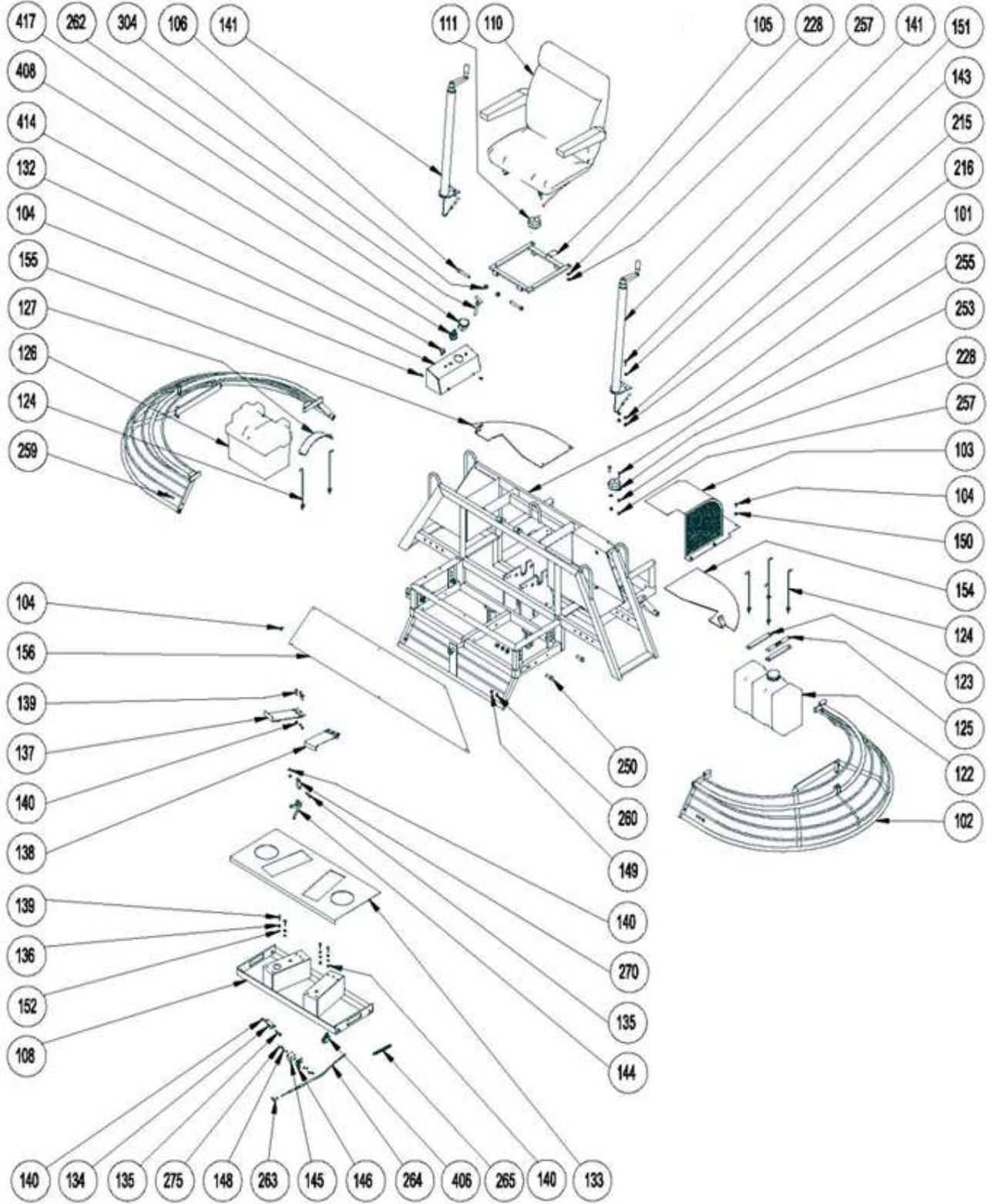


Figure 1 – Complete Chassis

TS96 RIDE-ON TROWEL INSTRUCTION MANUAL

CUSTOMER PARTS LIST

Assembly # Chassis Assembly

Item #	Part #	Description	Qty	Eff. Date
101	14597	Chassis	1	2/03/06
	14598	Chassis	1	1/10/14
102	14303	Guard Ring, Flip-Up	2	2/03/06
103	14313	Belt Guard	1	2/03/06
104	14596	HWHS, #14x3/4"LG, Slotted	40	2/03/06
105	14414	Seat Hinge	1	2/03/06
106	30012	SHCS, 1/2-20 x 3"LG	2	2/03/06
108	14405	Pedal Frame (Outside Steer)	1	2/03/06
	14685	Pedal Frame (DPS)	1	2/03/06
110	13641	Seat, High Back	1	6/09/13
111	13647	Safety Switch (DPS Only)	1	6/09/13
122	18156	Fuel Tank (complete)	1	2/03/06
122a	18106	Fuel Cap	1	3/19/12
122b	18126	Carbon Canister (not shown)	1	3/19/12
122c	18124	Canister Bracket (not shown)	1	3/19/12
122d	18125	Canister Strap (set of 2) (not shown)	1	3/19/12
123	10192	Tank Hold-down Bar	2	2/03/06
124	13839	Hold-down Bolt	6	2/03/06
125	14480	Decal "FUEL"	1	2/03/06
126	13192	Battery Box	1	2/03/06
127	13595	Battery Clamp	1	2/03/06
132	14422	Control Panel	1	2/03/06
133	14407	Floor Plate (Outside Steer)	1	2/03/06
	14533	Floor Plate (DPS)	1	2/03/06
134	22548	Throttle Bracket	1	2/03/06
135	12532	HHCS, 1/4-20 x 1-1/2"LG, Grade 5	3	2/03/06
136	10581	Hex Nut, 1/4-20UNC	6	2/03/06
137	22546	Gas Pedal	4	2/03/06
138	22547	Safety Pedal (Outside Steer Only)	1	2/03/06
139	50316	HHCS, 1/4-20 x 1"LG, Grade 5	10	2/03/06
140	30141	Nylock Nut, 1/4-20UNC	9	2/03/06
141	23551	Pitch Control	2	2/03/06
143	10317	Nylock Nut, 3/8-16UNC	6	2/03/06
144	14424	Throttle Linkage Arm	1	2/03/06
145	14425	Throttle Link Spacer	1	2/03/06
146	13863	Throttle Cable Clamp	1	2/03/06
148	10703	Lockwasher #10	4	2/03/06
149	10108	Nylock Nut 5/16-18UNC	6	2/03/06
150	11586	Washer 5/16" Dia	6	2/03/06
151	10507	HHCS, 3/8-16UNC x 1"LG	4	2/03/06
152	10521	Lockwasher 1/4" Dia	4	2/03/06
154	13629	Ring Cover Plate (LH)	1	2/03/06
155	13630	Ring Cover Plate (RH)	1	2/03/06
156	14257	Front Plate	1	2/03/06
215	10902	Lock Washer, 3/8"	16	2/03/06
216	10901	Hex Nut, 3/8-16UNC	16	2/03/06
228	10402	Lock Washer, 5/16"	8	2/03/06

TS96 RIDE-ON TROWEL INSTRUCTION MANUAL

CUSTOMER PARTS LIST

Assembly # Chassis Assembly

Item #	Part #	Description	Qty	Eff. Date
250	30019	HHCS, 1/2-13 x 1-1/2"LG Grade 5	4	2/03/06
253	14101	Shock Absorber	4	2/03/06
255	10441	HHCS, 5/16-18 x 1"LG	8	2/03/06
257	10915	Hex Nut, 5/16-18UNC	16	2/03/06
259	10403	HHCS, 5/16-18 x 2"LG	8	2/03/06
260	10919	Flat Washer, 5/16" Dia.	8	2/03/06
262	12417	Choke Control	1	2/03/06
236	11124	Ball Joint	1	2/03/06
264	18166	Throttle Cable	1	2/03/06
265	13046	#E11 Spring	1	2/03/06
270	12970	Throttle Pivot	1	2/03/06
275	10706	Screw #10-24 x 1/2"LG	4	2/03/06
304	12517	Nylock Nut, 1/2-20UNF	11	2/03/06
406	14397	Plunger Switch	1	2/03/06
408	13953	Starter Key Switch (B&S)	1	2/03/06
414	14377	Switch, On/Off, Blue	1	2/03/06
417	12991	Hour Meter	1	2/03/06
418	14450	Wire Harness (not shown)	1	2/03/06
419	14374	Starter Cable 50" (not shown)	1	2/03/06

TS96 RIDE-ON TROWEL INSTRUCTION MANUAL

POWERPLANT ASSEMBLY

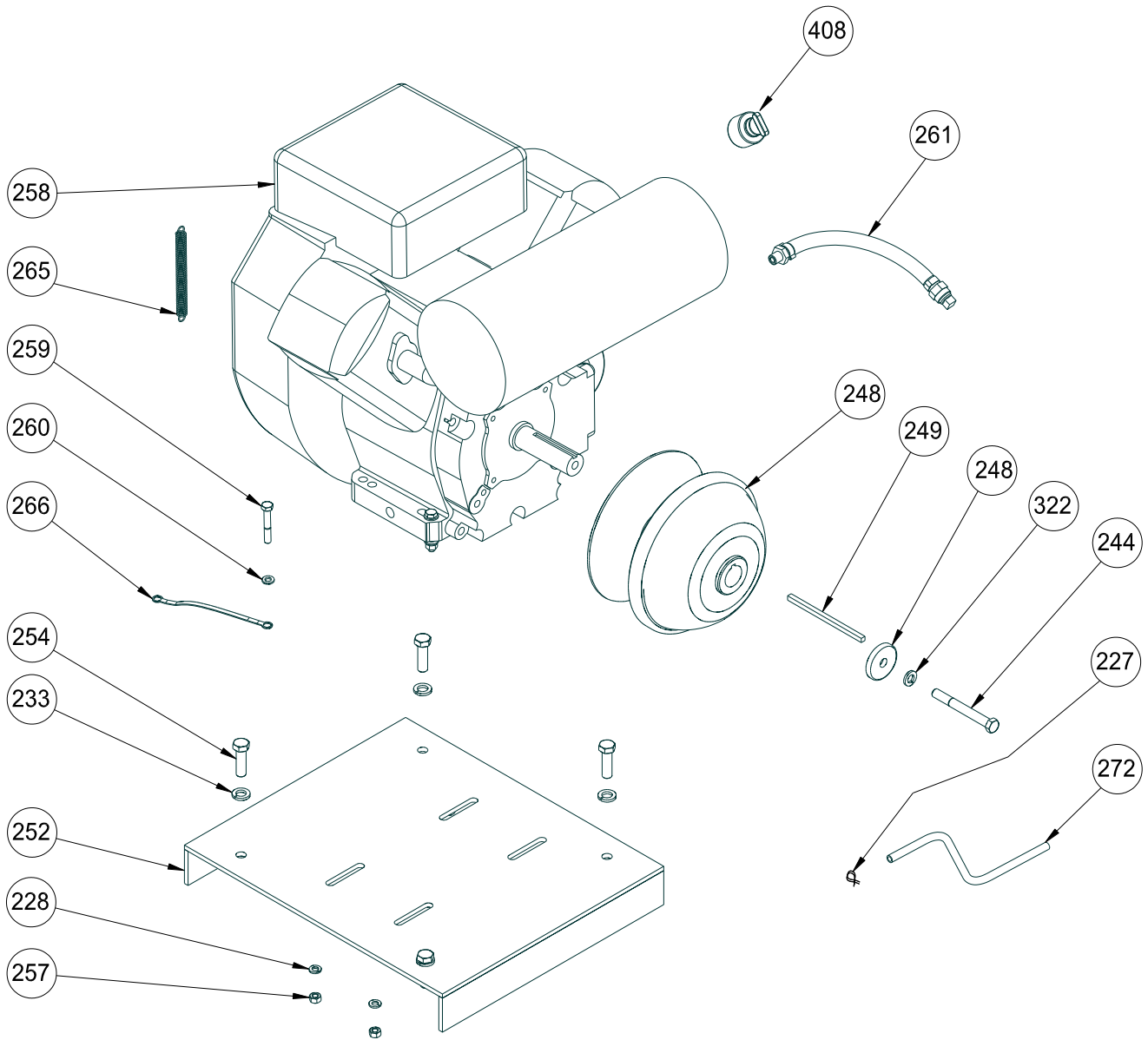


Figure 2 - Complete Powerplant

Item #	Description	Item #	Description	Item #	Description
227	Hose Clamp	252	Engine Mount	261	Oil Drain
228	Lock Washer	254	Hex Bolt	265	Spring
233	Lock Washer	257	Hex Nut	266	Ground Cable
244	Hex Bolt	258	Engine	272	Fuel Line
248	Clutch	259	Hex Bolt	322	Lock Washer
249	Key	260	Flat Washer	408	Ignition Switch

TS96 RIDE-ON TROWEL INSTRUCTION MANUAL

CUSTOMER PARTS LIST

Assembly # Powerplant Assembly

Item #	Part #	Description	Qty	Eff. Date
227	30152	Hose Clamp	1	2/03/06
228	10402	Lock Washer 5/16" Dia	4	2/03/06
233	10009	Lock Washer 1/2" Dia	4	2/03/06
244	13487	HHCS 7/16-20 x 3-1/2"LG	1	2/03/06
248	14704	Drive Pulley, 1-1/8" Bore	1	2/03/06
249	10654	Key, 1/4"sq x 5'LG	1	2/03/06
252	14312	Engine Mount	1	2/03/06
254	10955	HHCS M12-1.25 x 40mm	4	2/03/06
257	10915	Hex Nut 5/16-18	4	2/03/06
258	21393	Engine, B&S 35HP 1 1/8" shaft	1	2/03/06
259	10403	HHCS, 5/16-18 x 2"LG	4	2/03/06
260	10919	Flat Washer 5/16"	2	2/03/06
261	11797	Oil Drain	1	2/03/06
265	13046	Throttle Spring	1	2/03/06
266	13098	Ground Cable, 8"LG	1	2/03/06
272	18127	Fuel Line	1	2/03/06
322	13491	Lock Washer 7/16" Dia	1	2/03/06
408	13953	Switch - Honda	1	2/03/06

DRIVETRAIN ASSEMBLY

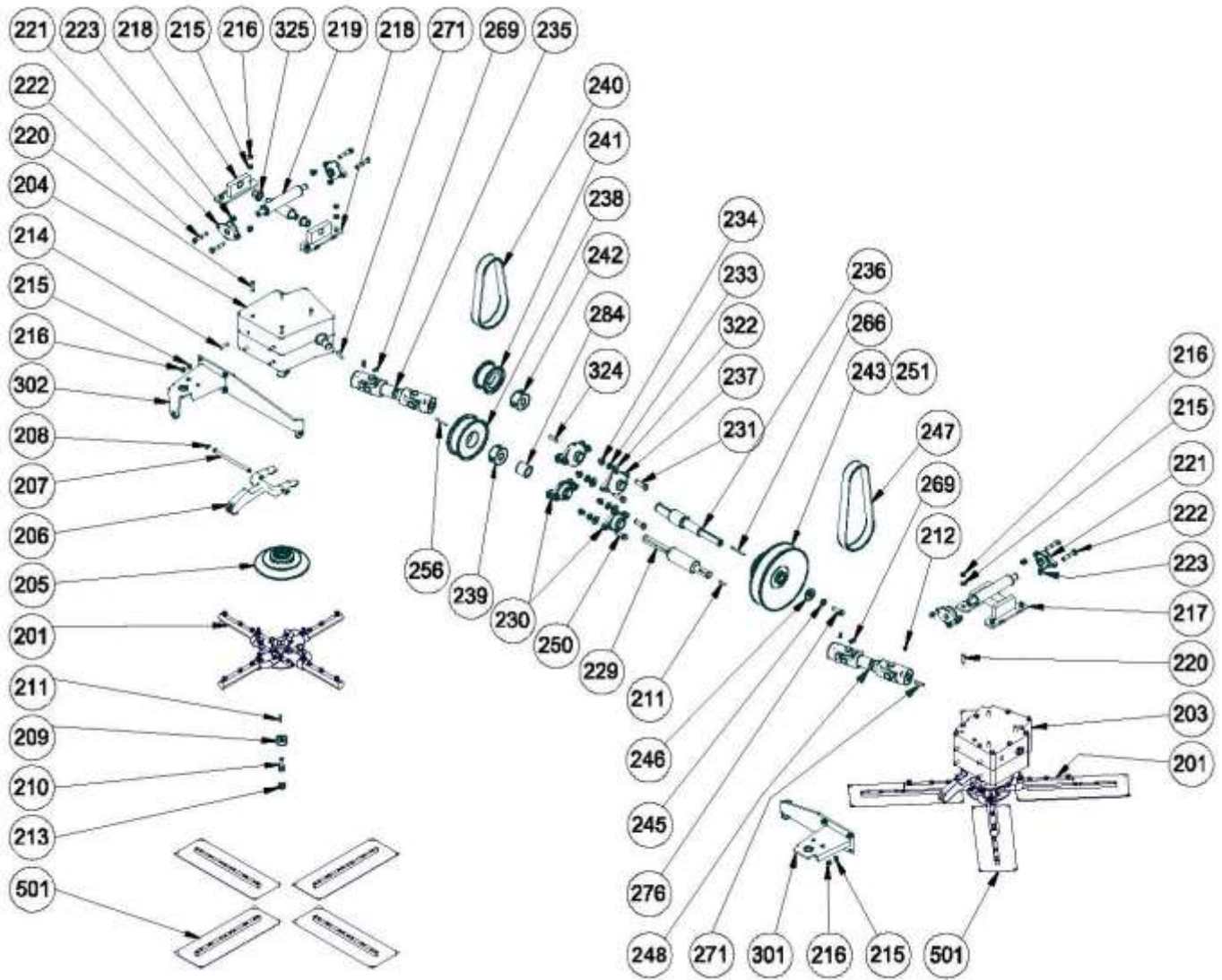


Figure 3 - Complete Drivetrain

Item #	Description	Item #	Description	Item #	Description	Item #	Description
201	Spider Plate Ass'y	215	Lock Washer	233	Lock Washer	248	U-Joint Coupling
202	Spider Plate Ass'y	216	Hex Nut	234	Hex Nut	249	Key
203	Gear Box Ass'y	217	Pivot Plate	235	U-Joint Coupling	250	Hex Bolt
204	Gear Box Ass'y	218	Pivot Bracket	236	Jack Shaft	256	Key
205	Pressure Plate	219	Pivot Bracket	237	Bearing	266	Key
206	Yoke Arm	220	Stud	238	Sprocket	269	Socket Bolt
207	Pin	221	Bearing	239	Bearing	271	Key
208	Retaining Ring	222	Hex Bolt	240	Drive Belt	273	Bushing
209	Retainer	223	Lock Nut	241	Sprocket	276	Hex Bolt
210	Socket Bolt	228	Lock Washer	243	Driven Pulley	301	Control Arm, LH
211	Key	229	Drive Shaft	245	Lock Washer	302	Control Arm, RH
213	Cap Plug	230	Bearing	246	Washer	324	Key
214	Stud	231	Hex Bolt	247	Drive Belt	501	Trowel Blade

TS96 RIDE-ON TROWEL INSTRUCTION MANUAL

CUSTOMER PARTS LIST

Assembly # Drive Train Assembly

Item #	Part #	Description	Qty	Eff. Date
201	14165	TS96 Spider Plate Ass'y – CCW, 4 Blade	1	2/03/06
	14231	TS96 Spider Plate Ass'y – CCW, 5 Blade	1	2/03/06
202	14164	TS96 Spider Plate Ass'y – CW, 4 Blade	1	2/03/06
	14232	TS96 Spider Plate Ass'y – CW, 5 Blade	1	2/03/06
203	13973	Gear Box Ass'y – Left Side, CW	1	2/03/06
204	13972	Gear Box Ass'y – Right Side, CCW	1	2/03/06
205	20626	Pressure Plate Ass'y, Large	2	2/03/06
206	10311	Yoke Arm, Large	2	2/03/06
207	10914	Pin	2	2/03/06
208	10913	Retaining Ring, 7/16" Dia.	4	2/03/06
209	10804	Retainer	2	2/03/06
210	10802	SHCS, 1/2-13 x 1-1/2"LG	2	2/03/06
211	10608	Key, 1/4"SQ x 1-5/32"LG	3	2/03/06
213	10823	Cap Plug, EC-12	2	2/03/06
214	10910	Stud, 3/8-16 x 1-3/4"LG	8	2/03/06
215	10902	Lock Washer, 3/8" Dia.	16	2/03/06
216	10901	Hex Nut, 3/8-16UNC	16	2/03/06
217	13904	Pivot Plate, LH	1	2/03/06
218	13903	Pivot Bracket, Top RH	2	2/03/06
219	13900	Pivot Bracket, RH	1	2/03/06
220	11247	Stud, 3/8-16 x 1-3/8"LG	8	2/03/06
221	13570	Bearing, Flanged, UCFL204-012D1	4	2/03/06
222	13490	HHCS, 7/16-20 x 2-1/4"LG	8	2/03/06
223	13488	Nylock Nut, 7/16-20UNF	8	2/03/06
228	10402	Lock Washer, 5/16" Dia.	8	2/03/06
229	14443	Drive Shaft (overlap)	2	2/03/06
	14444	Drive Shaft (non-overlap)	2	2/03/06
	14799	Drive Shaft, TS96 (non-overlap)	2	1/10/14
230	12453	Bearing, Flanged, UCFL205-100D1	2	2/03/06
231	13498	HHCS, 1/2-13 x 1-3/4"LG	4	2/03/06
233	10009	Lock Washer, 1/2" Dia.	8	2/03/06
234	12519	Hex Nut, 1/2-13UNC	1	2/03/06
235	13779	U-Joint Drive Coupling (non-overlap)	1	2/03/06
236	14442	Jack Shaft, TS96 & LP95	1	2/03/06
237	13246	Bearing, UCFL206-104D1	2	2/03/06
	12453	Bearing, Flanged, UCFL205-10001	2	1/10/14
238	13204	Sprocket, 8MX-63S-36 (low speed)	1	2/03/06
	14181	Sprocket, 8MX-56S-36 (high speed)	1	2/03/06
239	13549	Bushing Taperlock 2517 x 1" Bore (low speed)	1	2/03/06
	14183	Bushing Taperlock 2012 x 1" Bore (high speed)	1	2/03/06
240	13202	Drive Belt, 8MGT720-36	1	2/03/06
241	13426	Sprocket, 8M-30S-36 (low speed)	1	2/03/06
	14182	Sprocket, 8MX-36S-36 (high speed)	1	2/03/06
242	14184m	Bushing Taperlock, 1610 x 1-1/4" Bore (high speed)	1	2/03/06
243	14724	Driven Pulley, 1" Bore	1	2/03/06
245	13491	Lock Washer 7/16" Dia.	1	2/03/06
246	11314	Brake Clutch Washer	1	2/03/06
247	14706	Drive Belt	1	2/03/06

TS96 RIDE-ON TROWEL INSTRUCTION MANUAL

CUSTOMER PARTS LIST

Assembly # Drive Train Assembly - Continued

Item #	Part #	Description	Qty	Eff. Date
248	13767	U-Joint Drive Coupling (overlap)	1	2/03/06
	13779	U-Joint Drive Coupling (non-overlap)	1	2/03/06
249	10654	Key 1/4"SQ x 5"LG	1	2/03/06
250	30019	HHCS, 1/2-13 x 1-1/2"LG	4	2/03/06
256	10608	Key 1/4"SQ x 1 - 5/32	1	2/03/06
266	11010	Key .160"THK x .250"X 2.5 LG	1	2/03/06
269	12745	SHSS 3/8-16 x 3/4"LG	8	2/03/06
271	13579	Pinion Key, Gearbox	2	2/03/06
273	12593	Bushing, 3/4" x 1" x 7/8"LG	2	2/03/06
276	10269	HHCS 7/16-20 x 1-1/2"LG	1	2/03/06
301	14488	Control Arm, LH (non-overlap)	1	2/03/06
	14694	Control Arm, LH (overlap)	1	2/03/06
302	14487	Control Arm, RH (non-overlap)	1	2/03/06
	14693	Control Arm, RH (overlap)	1	2/03/06
324	13597	Key 5/16"SQ x 1-1/2"LG	1	2/03/06
501	20410	Trowel Blade 6 x 18 Imperial (4 blade)	8	2/03/06
		Trowel Blade 6 x 18 Imperial (5 blade)	10	2/03/06
	20456	Trowel Blade 6 x 18 Metric (4 blade)	8	2/03/06
		Trowel Blade 6 x 18 Metric (5 blade)	10	2/03/06

TS96 RIDE-ON TROWEL INSTRUCTION MANUAL

STEERING ASSEMBLY

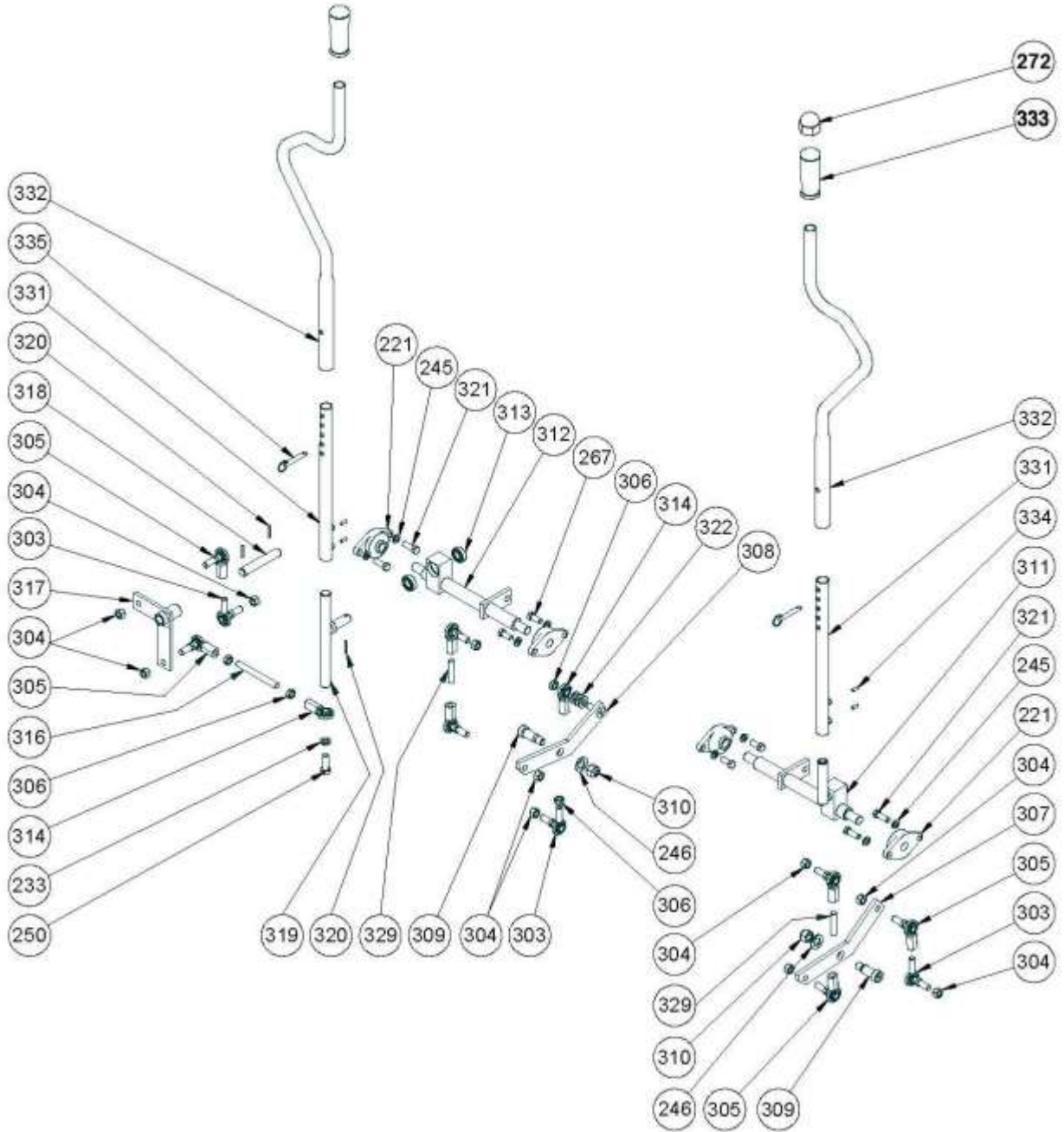


Figure 4 - Complete Steering

TS96 RIDE-ON TROWEL INSTRUCTION MANUAL

DUAL POSITION STEERING ASSEMBLY

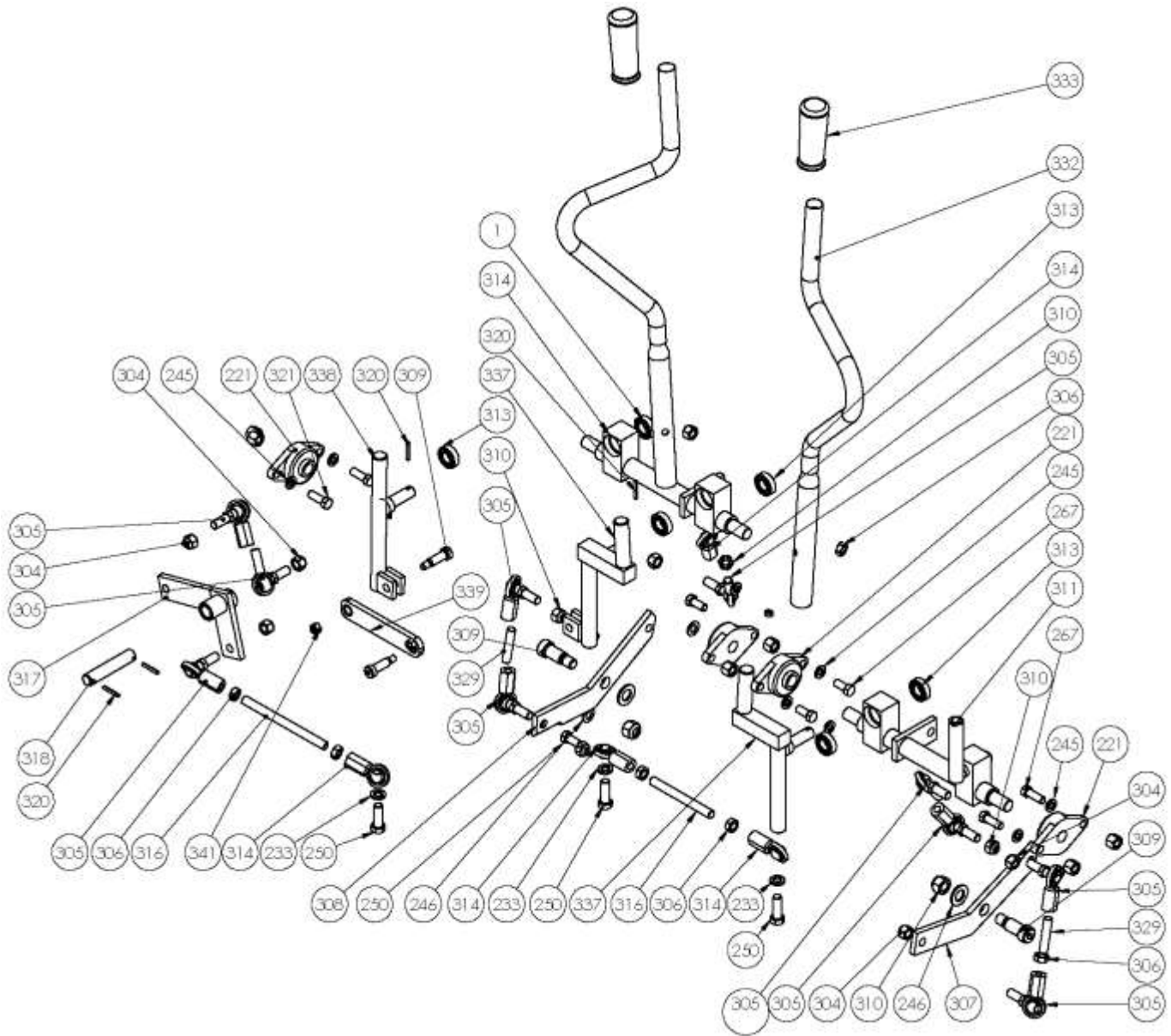


Figure 5 – Complete Dual Position Steering

Item #	Description	Item #	Description	Item #	Description	Item #	Description
221	Bearing	307	Pivot Arm	318	Lever Pin L/R	335	Lynch Pin
233	Lock Washer	308	Pivot Arm	319	Steering Link	336	Inside Steering Link LH
245	Lock Washer	309	Shoulder Bolt	320	Spring Pin	337	Inside Steering Link RH
250	Hex Bolt	310	Lock Nut	321	Hex Bolt	338	Outside Steering Link RH
267	Hex Bolt	311	Steering Shaft	322	Flat Washer	339	Link Plate
272	Spray Switch (opt.)	312	Steering Shaft	329	Push Rod	340	Bolt
303	Rod End	313	Bearing	331	Washer	341	Control Cable Stud
304	Lock Nut	314	Rod End	332	Steering Arm		
305	Rod End	316	Push Rod	333	Handle Grip		
306	Hex Jam Nut	317	Steering Pivot	334	Set Screw		

TS96 RIDE-ON TROWEL INSTRUCTION MANUAL

CUSTOMER PARTS LIST

Assembly # Steering and Dual Position Steering Assemblies

Item #	Part #	Description	Qty	Eff. Date
221	13570	Bearing, Flanged, ASFE204-012D1	4	2/03/06
233	10009	Lock Washer, 1/2"	1	2/03/06
245	13491	Lock Washer, 7/16"	8	2/03/06
246	10306	Washer, .75"ID x 1.33"OD	2	2/03/06
250	30019	HHCS, 1/2-12 x 1-1/2"LG	1	2/03/06
267	11214	HHCS, 7/16-14 x 1"LG	4	2/03/06
272	13896	Spray Switch (option)	5	2/03/06
303	13932	Rod End, 1/2-20UNF Stud	3	2/03/06
304	12517	Nylock Nut 1/2-20UNF	11	2/03/06
305	12412	Rod End, 1/2-20UNF	7	2/03/06
306	12592	Hex Jam Nut, 1/2-20UNF	5	2/03/06
307	14434	Pivot Arm, LH	1	2/03/06
308	14431	Pivot Arm, RH	2	2/03/06
309	13481	Shoulder Bolt, 3/4"Dia x 1-1/4"LG	2	2/03/06
310	13578	Nylock Nut, 5/8-11	2	2/03/06
311	14402	Steering Shaft, LH	1	2/03/06
312	14401	Steering Shaft, RH	1	2/03/06
313	13883	Bearing, 6003-LLU-2A	2	2/03/06
314	12420	Rod End – Female 1/2-20UNF	2	2/03/06
316	13478	Push Rod, L/R	1	2/03/06
317	14429	Steering Pivot, L/R	1	2/03/06
318	13480	Lever Pin L/R	1	2/03/06
319	14428	Steering Link, L/R	1	2/03/06
320	10315	Spring Pin, 3/16"Dia x 1-1/4"LG	3	2/03/06
321	11184	HHCS, 7/16-14 x 1-1/4"LG	4	2/03/06
322	12930	Flat Washer USS 7/16"Dia	4	2/03/06
329	12969	Push Rod, 1/2-20 x 2-1/4"LG	2	2/03/06
331	14426	Steering Post, Adjustable Height	2	2/03/06
332	14427	Steering Arm, Adjustable Height	2	2/03/06
333	13065	Handle Grip, 1"	2	2/03/06
334	50017	Set Screw 5/16-18 x 1/2"	4	2/03/06
335	14436	Lynch Pin, 3/8"Dia x 1-1/4"Grip	2	2/03/06
336	14518	Inside Steering Link LH	1	9/26/13
337	14524	Inside Steering Link RH	1	9/26/13
338	14518	Outside Steering Link RH	1	9/26/13
339	14532	Link Plate	1	9/26/13
340	12985	Bolt, 3/8-16, 1-1/4"LG	1	9/26/13
341	10318	Control Cable Stud	1	9/26/13

TS96 RIDE-ON TROWEL INSTRUCTION MANUAL

GEARBOX ASSEMBLY

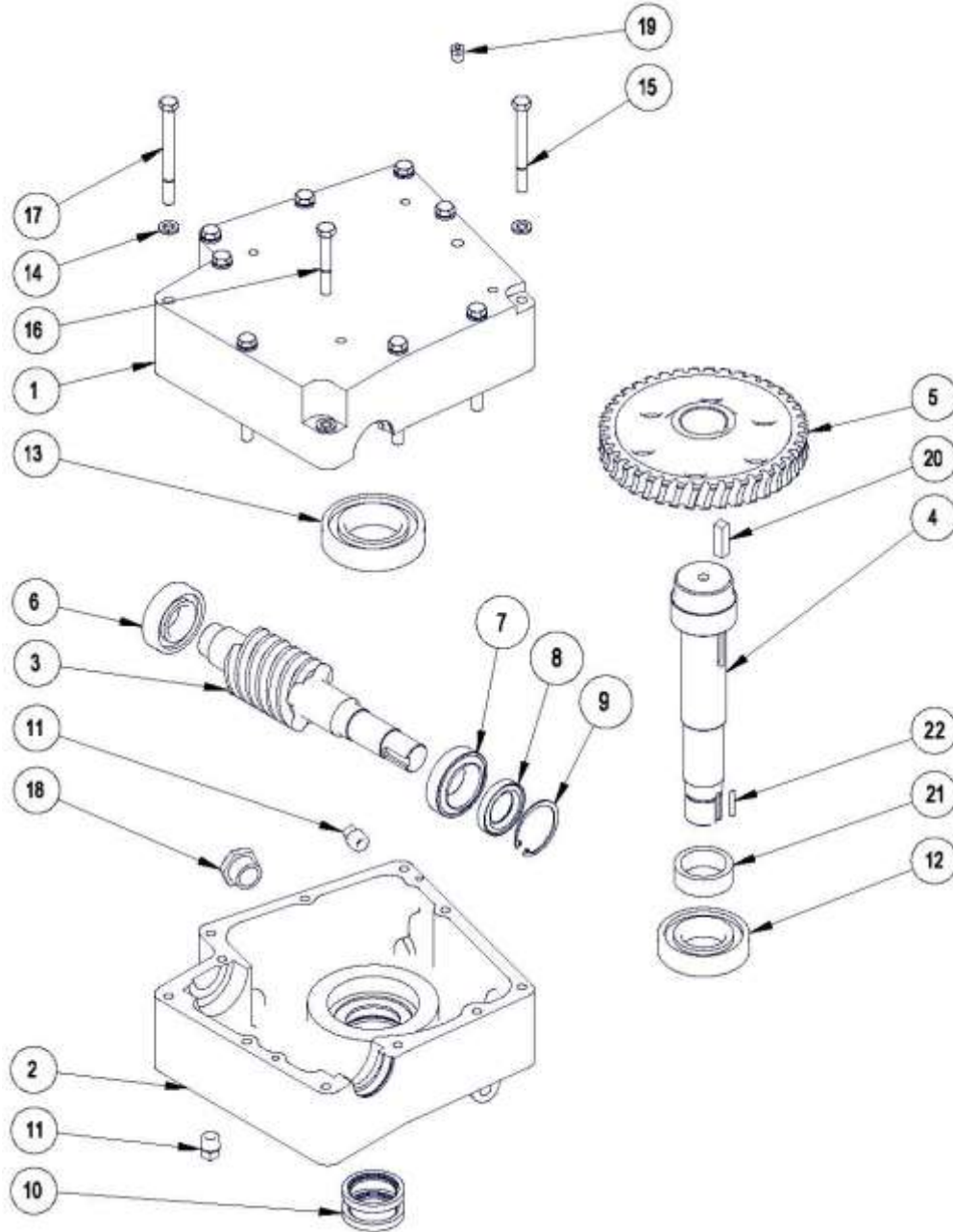


Figure 6 – Gearbox Assembly

Note: Left Side Gearbox Shown.

Item #	Description	Item #	Description	Item #	Description
1	Gearbox – Top	8	Oil Seal	15	Hex Bolt
2	Gearbox – Bottom	9	Retaining Clip	16	Hex Bolt
3	Worm Shaft	10	Oil Seal	17	Hex Bolt
4	Main Shaft	11	Plug	18	Sight Plug
5	Main Gear	12	Main Shaft Bearing	19	Relief Valve
6	Worm Shaft Bearing	13	Main Shaft Bearing	20	Key
7	Taper Roller Bearing	14	Lock Washer	21	Spacer

TS96 RIDE-ON TROWEL INSTRUCTION MANUAL

CUSTOMER PARTS LIST

Assembly # **13973**

Gearbox, CW, Left Side of Unit

Item #	Part #	Description	Qty	Eff. Date
1	13905	Gearbox Top Half	1	7/29/04
2	13906	Gearbox Bottom Half	1	7/29/04
3	13353	Worm Shaft, LH Cut	1	7/29/04
4	13360	Main Shaft	1	7/29/04
5	13359	Main Gear, LH Cut	2	7/29/04
6	13911	Worm Shaft Bearing	1	7/29/04
7	13509	Taper Roller Bearing	1	7/29/04
8	13912	Oil Seal	2	7/29/04
9	13913	Retaining Clip	4	7/29/04
10	13967	Gearbox Main Seal	2	7/29/04
11	10911	Plug	3	7/29/04
12	13910	Main Shaft Bearing	2	7/29/04
13	13909	Main Shaft Bearing	6	7/29/04
14	10902	Lock Washer	1	7/29/04
15	13937	Hex Bolt	1	7/29/04
16	10506	Hex Bolt	4	7/29/04
17	13914	Hex Bolt	1	7/29/04
18	10930	Sight Plug	4	7/29/04
19	10909	Relief Valve	2	7/29/04
20	13919	Key	1	7/29/04
21	13918	Spacer	3	7/29/04
22	22800	Key	1	7/29/04

Assembly # **13972**

Gearbox, CCW, Right Side of Unit

Item #	Part #	Description	Qty	Eff. Date
1	13907	Gearbox Top Half	1	7/29/04
2	13908	Gearbox Bottom Half	1	7/29/04
3	13352	Worm Shaft, RH Cut	1	7/29/04
4	13360	Main Shaft	1	7/29/04
5	13358	Main Gear, RH Cut	2	7/29/04
6	13911	Worm Shaft Bearing	1	7/29/04
7	13509	Taper Roller Bearing	1	7/29/04
8	13912	Oil Seal	2	7/29/04
9	13913	Retaining Clip	4	7/29/04
10	13967	Gearbox Main Seal	2	7/29/04
11	10911	Plug	3	7/29/04
12	13910	Main Shaft Bearing	2	7/29/04
13	13909	Main Shaft Bearing	6	7/29/04
14	10902	Lock Washer	1	7/29/04
15	13937	Hex Bolt	1	7/29/04
16	10506	Hex Bolt	4	7/29/04
17	13914	Hex Bolt	1	7/29/04
18	10930	Sight Plug	4	7/29/04
19	10909	Relief Valve	2	7/29/04
20	13919	Key	1	7/29/04
21	13918	Spacer	3	7/29/04
22	22800	Key	1	7/29/04

TS96 RIDE-ON TROWEL INSTRUCTION MANUAL

SPIDER PLATE ASSEMBLY

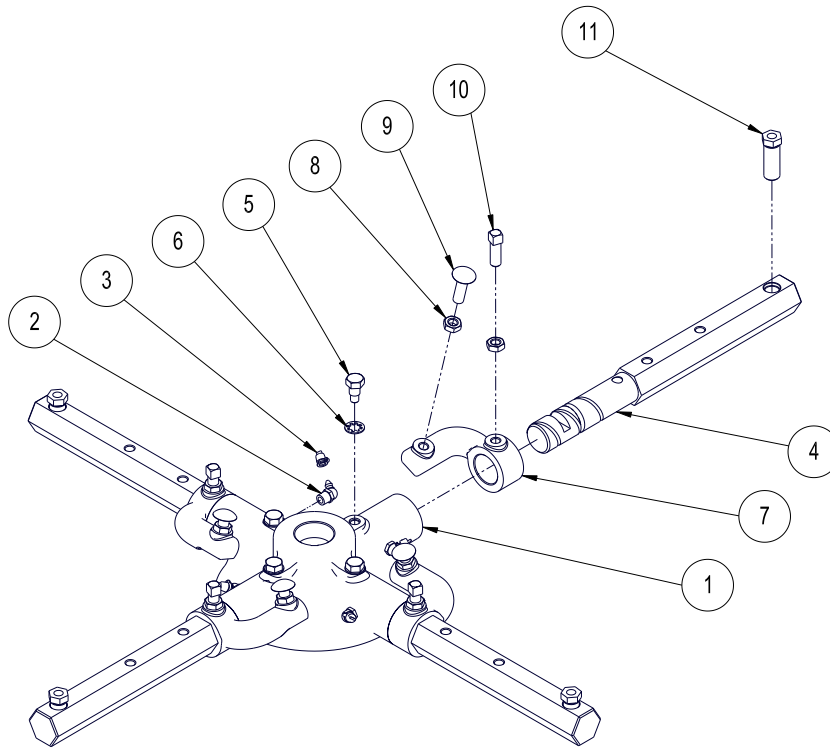
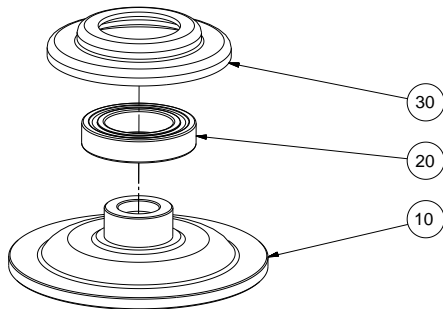


Figure 7 – Greased Spider Assembly

Note: 4 Blade Spider Plate Shown.

Item #	Description	Item #	Description
1	Spider Plate	7	Lift Lever
2	Grease Fitting	8	Jam Nut
3	Cap	9	Carriage Bolt
4	Trowel Arm	10	Square Heat Setscrew
5	Dog Screw	11	Adjuster Bolt
6	Lock Washer		



Item #	Description
10	Pressure Plate
20	Thrust Bearing
30	Pressure Plate Cap

Figure 8 – Pressure Plate Assembly

TS96 RIDE-ON TROWEL INSTRUCTION MANUAL

CUSTOMER PARTS LIST

Assembly # **14165(4 Blade Spider), 14231(5 Blade Spider)**
 CCW Spider Plate Assembly, Greased, Right Side of Unit

Item #	Part # 14165	(Part #) 14231	Description	Qty	Eff. Date
1	14160	14258	Spider Plate, 4 Spoke (5 Spoke), CCW	1	7/29/04
2	10801	10801	Grease Fitting 1/8 NPT x 180° (65°)	4 (5)	7/29/04
3	10822	10822	Cap Plug, Grease Nipple, Red	4 (5)	7/29/04
4	14161	14449	Trowel Arm 1-1/4" Hex	4 (5)	7/29/04
5	10806	10806	HHCS 3/8-16 x 7/8"	4 (5)	7/29/04
6	10805	10805	Lock Washer ø3/8" External Tooth	4 (5)	7/29/04
7	14163	14163	Lift Lever, LH 1-1/4" Bore	4 (5)	7/29/04
8	10808	10808	Jam Nut 3/8-16	8 (10)	7/29/04
9	10807	10807	Carriage Bolt 3/8-16 x 1-1/4"	4 (5)	7/29/04
10	10809	10809	SHSS 3/8-16 x 1" Cup Point	4 (5)	7/29/04
11	14208	14208	Adjusting Screw 1-1/2"	4 (5)	7/29/04
12	N/A	30051	Socket Plug 1/8 NPT (5 Blade Spider only)	4 (5)	7/29/04

Assembly # **14164(4 Blade Spider)*, 14232(5 Blade Spider)**
 CW Spider Plate Assembly, Greased, Left Side of Unit

Item #	Part # 14164	(Part #) 14232	Description	Qty	Eff. Date
1	14159	14258	Spider Plate, 4 Spoke (5 Spoke), CW	1	7/29/04
2	10801	10801	Grease Fitting 1/8 NPT x 180° (65°)	4 (5)	7/29/04
3	10822	10822	Cap Plug, Grease Nipple, Red	4 (5)	7/29/04
4	14161	14449	Trowel Arm 1-1/4" Hex	4 (5)	7/29/04
5	10806	10806	HHCS 3/8-16 x 7/8"	4 (5)	7/29/04
6	10805	10805	Lock Washer ø3/8" External Tooth	4 (5)	7/29/04
7	14162	14162	Lift Lever, RH 1-1/4" Bore	4 (5)	7/29/04
8	10808	10808	Jam Nut 3/8-16	8 (10)	7/29/04
9	10807	10807	Carriage Bolt 3/8-16 x 1-1/4"	4 (5)	7/29/04
10	10809	10809	SHSS 3/8-16 x 1" Cup Point	4 (5)	7/29/04
11	14208	14208	Adjusting Screw 1-1/2"	4 (5)	7/29/04
12	N/A	30051	Socket Plug 1/8 NPT (5 Blade Spider only)	4 (5)	7/29/04

Assembly # **20626**
 Pressure Plate Assembly

Item #	Part #	Description	Qty	Eff. Date
10	10659	Large pressure plate	1	7/29/04
20	10663	Large thrust bearing 6010LLU-2A	1	7/29/04
30	10667	Large pressure plate cap	1	7/29/04

PITCH CONTROL ASSEMBLY

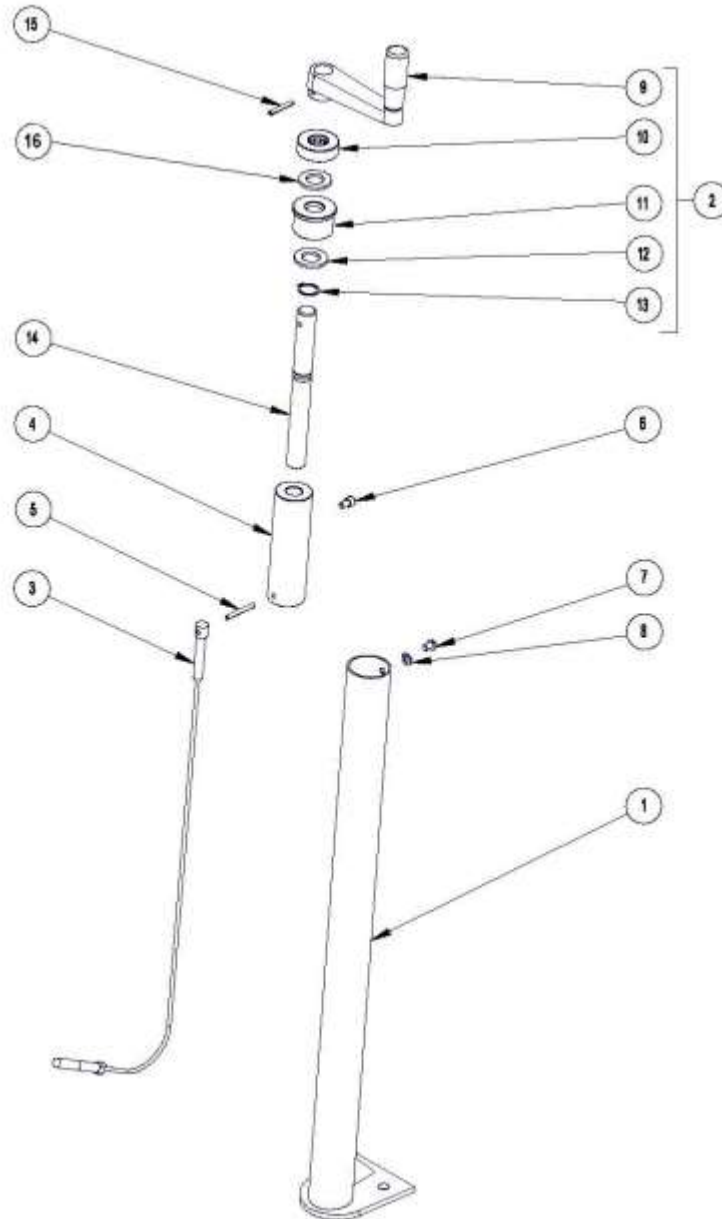


Figure 9 – Pitch Control

Item #	Description	Item #	Description
1	Pitch Control Tube	9	Crank Handle
2	Crank Handle Ass'y	10	Bearing
3	Control Cable	11	Bushing
4	Slide Bushing	12	Washer
5	Spring Pin	13	Retainer
6	Socket Screw	14	Screw Shaft
7	Machine Screw	15	Spring Pin
8	Lock Washer		

TS96 RIDE-ON TROWEL INSTRUCTION MANUAL

CUSTOMER PARTS LIST

Assembly # **23551**
Pitch Control Assembly

Item #	Part #	Description	Qty	Eff. Date
1	22538	Tube	1	10/06/04
2	23573	Crank Handle Assembly	1	10/06/04
3	22539	Control Cable	1	10/06/04
4	10308	Slide Bushing	1	10/06/04
5	10309	Spring Pin $\varnothing 3/16$ " x 1-1/2"	1	10/06/04
6	10510	SHCS 1/4-20 x 3/8"LG	1	10/06/04
7	10511	RHMS 1/4-20 x 3/8"LG	1	10/06/04
8	10521	Lock Washer $\varnothing 1/4$ "	1	10/06/04
9	14793	Crank Handle	1	10/06/04
10	10304	Bearing	1	10/06/04
11	10305	Bushing	1	10/06/04
12	10306	Washer	1	10/06/04
13	10307	Retainer	1	10/06/04
14	10303	Screw Shaft	1	10/06/04
15	10315	Spring Pin $\varnothing 3/16$ " x 1-1/4"LG	1	10/06/04
16	22674	Shim Ring 3/4"	1	10/06/04

TS96 RIDE-ON TROWEL INSTRUCTION MANUAL

RETARDANT SPRAY SYSTEM

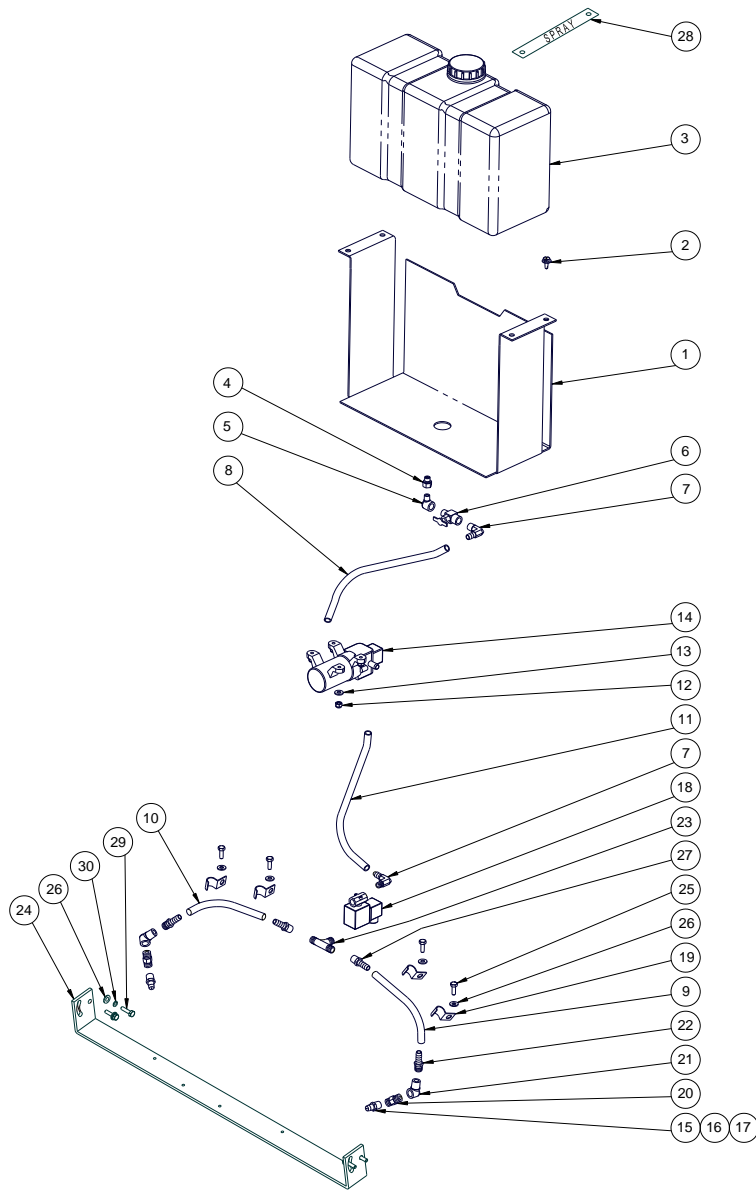


Figure 10 – Spray Kit

Item #	Description	Item #	Description	Item #	Description
1	Bracket	11	Tubing	21	Fitting
2	Screw	12	Locknut	22	Fitting
3	Tank	13	Washer	23	Fitting
4	Fitting	14	Pump	24	Nozzle
5	Fitting	15	Check Valve	25	Hex Bolt
6	Valve	16	Bronze Cap Nut	26	Lockwasher
7	Fitting	17	Cone Jet Nozzle	27	Fitting
8	Tubing	18	Valve	28	Label
9	Tubing	19	Clamp	29	Hex Bolt
10	Tubing	20	Fitting	30	Lock Washer

TS96 RIDE-ON TROWEL INSTRUCTION MANUAL

CUSTOMER PARTS LIST

Assembly # **14261**
Spray System

Item #	Part #	Description	Qty	Eff. Date
1	14304	Spray System Bracket	1	2/03/06
2	14596	HWHS 1/4-20 x 5/8"LG	4	2/03/06
3	13600	Tank, 10.9 L, White	1	2/03/06
4	14200	Fitting, Pipe Adapter	1	2/03/06
5	14291	Fitting, Street Elbow	1	2/03/06
6	14288	Valve, Needle, 1/4NPTF-1/4MPTM	1	2/03/06
7	14247	Fitting, 90 Deg Hose Barb.	2	2/03/06
8	00644	Tubing, Rubber, 8-1/2"LG	1	2/03/06
9	00644	Tubing, Rubber, Gray 7"LG	1	2/03/06
10	00644	Tubing, Rubber, Gray 5-1/2"LG	1	2/03/06
11	00644	Tubing, Rubber, Gray 30"LG	1	2/03/06
12	30141	Locknut, 1/4"-20	4	2/03/06
13	10919	Washer 5/16"	4	2/03/06
14	14292	Pump, Diaphragm With Neck	1	2/03/06
15	13894	Check Valve	2	2/03/06
16	13876	Bronze Cap Nut	2	2/03/06
17	13877	Cone Jet Nozzle	2	2/03/06
18	14234	Valve, NC, 12VDC Solenoid	1	2/03/06
19	13591	Wiring Clamp 5/8"	4	2/03/06
20	14293	Fitting, Nipple, 3/8 NPT Male	2	2/03/06
21	14294	Fitting, Elbow, 3/8-1/4 NPT Female	2	2/03/06
22	14289	Fitting, Hose Barb, 3/8 Tube, Male	1	2/03/06
23	14365	Fitting, Male Branch Tee	1	2/03/06
24	14396	Mounting Bracket, Nozzle	1	2/03/06
25	30031	HHCS, 1/4-20UNC x 1/2"LG	4	2/03/06
26	10521	Lockwasher 1/4"	6	2/03/06
27	14290	Fitting, Hose Barb, 3/8 Tube, Female	2	2/03/06
28	14481	Decal "SPRAY"	1	2/03/06
29	30142	HHCS 5/16-18 x 3/4"LG	4	2/03/06
30	10402	Lock Washer 5/16"Dia	6	2/03/06

TROWEL BLADE ASSEMBLY

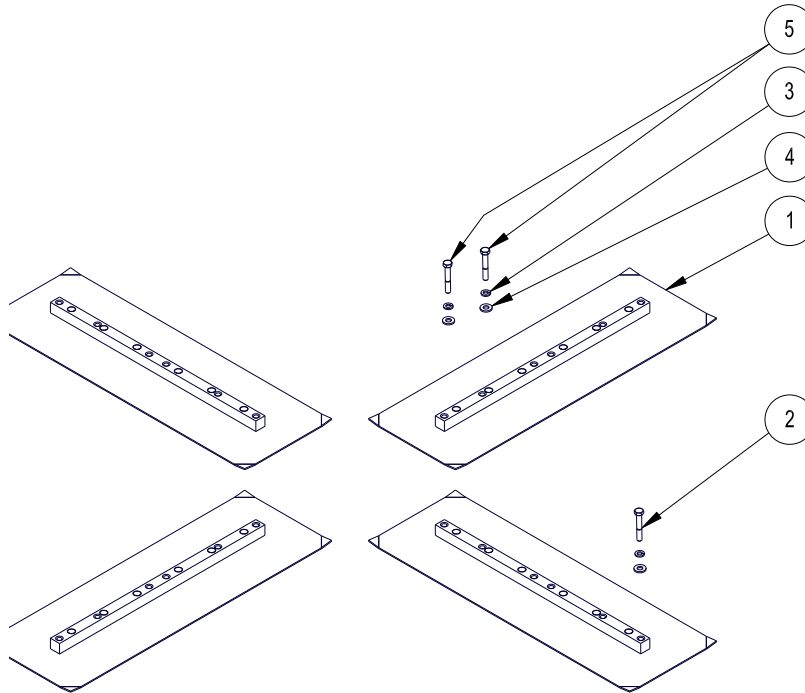


Figure 11 – Trowel Blade Kit

CUSTOMER PARTS LIST

Assembly # **Metric**
6 x 18 Finish – 4 Blade

Item #	Part #	Description	Qty	Eff. Date
1	20456	6 x 18 Metric Trowel Blade	4	2/01/06
2	10453	HHCS M8-1.25 x 50mm	12	2/01/06
3	11614	Lock Washer ø8MM	12	2/01/06
4	11667	Washer ø8MM	8	2/01/06

Assembly # **Imperial**
6 x 18 Finish – 4 Blade

Item #	Part #	Description	Qty	Eff. Date
1	20410	6 x 18 Imperial Trowel Blade	4	2/01/06
2	10403	HHCS 5/16-18 x 2"	4	2/01/06
3	10402	Lock Washer ø5/16"	12	2/01/06
5	30008	HHCS 5/16-18 x 1-3/4"LG	8	2/01/06

TS96 RIDE-ON TROWEL INSTRUCTION MANUAL

TRANSPORTER ASSEMBLY

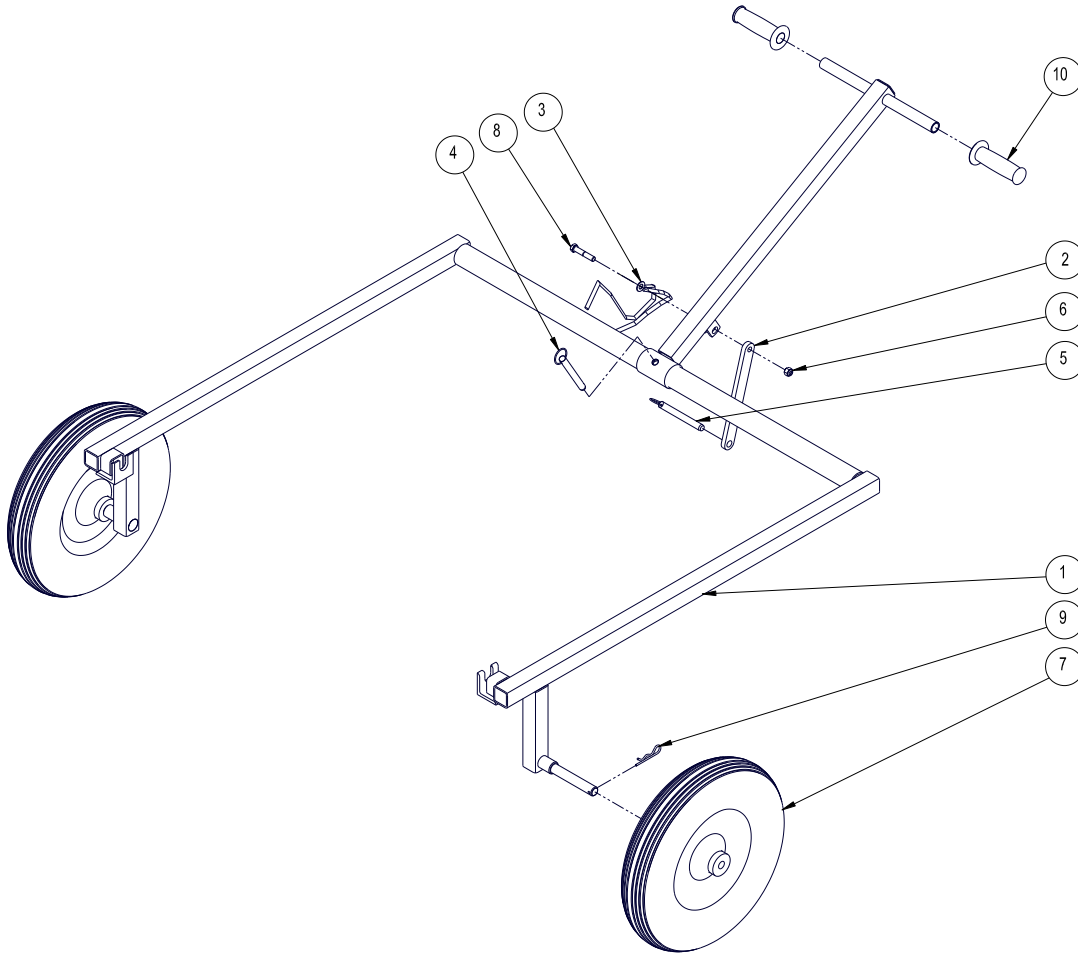


Figure 12 – TS96 Transporter

CUSTOMER PARTS LIST

Assembly # **22523**
Transporter

Item #	Part #	Description	Qty	Eff. Date
1	22524	Transporter Frame Assembly	1	7/29/04
2	13364	Exporter Linkage Arm	1	7/29/04
3	12860	Chain	1	7/29/04
4	12487	Large Hitch Pin 3-1/2"	1	7/29/04
5	12488	Small Hitch Pin 2-1/2"	1	7/29/04
6	10317	Nylock Nut 3/8-16	1	7/29/04
7	13198	Wheel ø16" x 4" Hub	2	7/29/04
8	12859	Hex Bolt 3/8-16 x 2"LG	1	7/29/04
9	50265	Spring Clip	2	7/29/04
10	10509	Handle Grips	2	7/29/04

BARTELL MORRISON INC.

BARTELL MORRISON (USA) LLC

1
1

- 38 -

Created: 01/06
Revised: 06/14