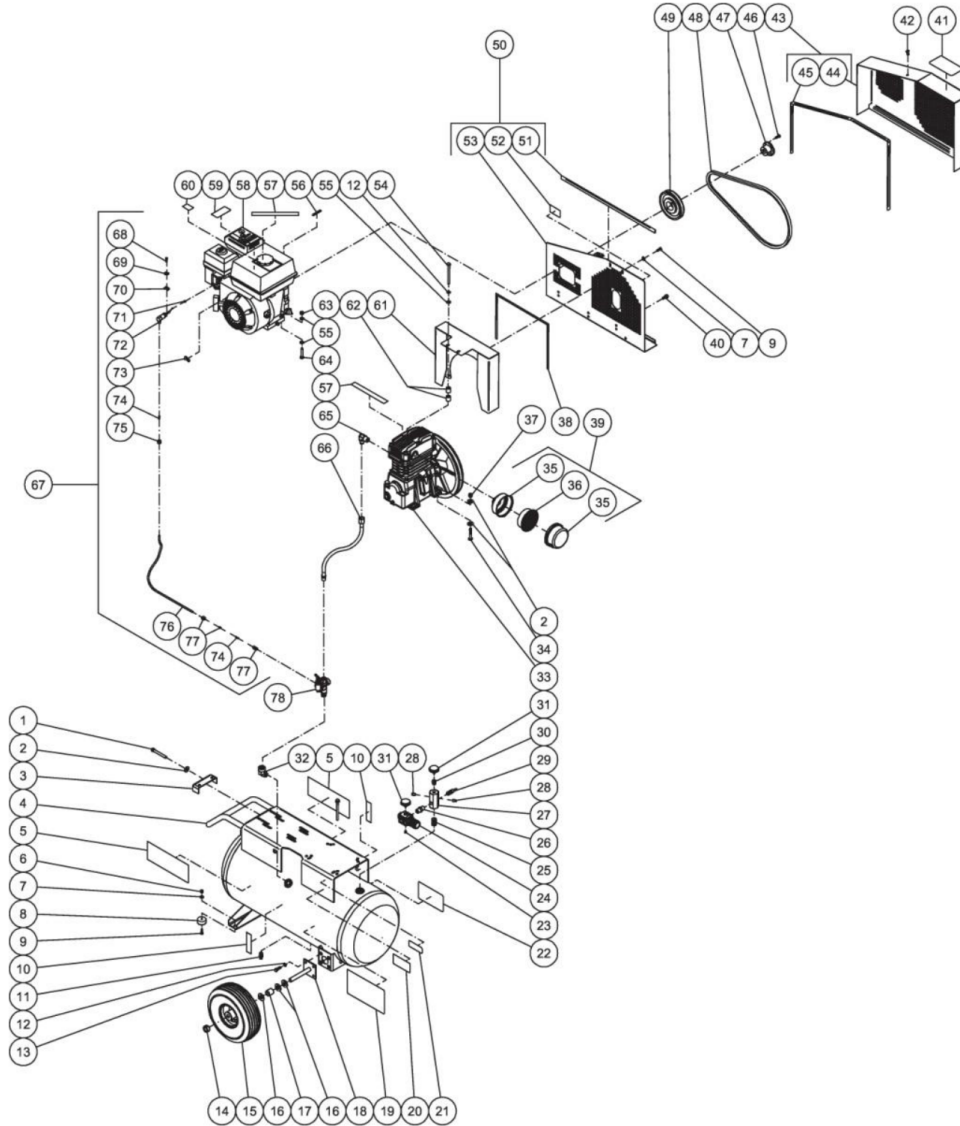




AS1-PH65-20M / AS1-PH65-20M (sn:0-99999999)

TANK ASSEMBLY



Id	Item #	Description	Quantity	Rev	Comments
1	27-0576	BOLT	1		
2	28-0023	FLATWASHER	9		
3	20-0614A01	BELT TIGHTENER BRACKET	1		
4	N/A	AIR TANK ASSEMBLY (INC. 12, 13, 18)	1		
5	34-0828	DECAL- LOGO	2		
6	30-0155	LOCKNUT	2		

Id	Item #	Description	Quantity	Rev	Comments
7	28-0002	WASHER	4		
8	14-0069	ISOLATOR	2		
9	27-0015	BOLT	6		
10	N/A Sep.	DECAL- TANK DRAIN (SEE 34-9016)	2		
11	23-0312	PETCOCK	1		
12	29-0007	LOCKWASHER	10		
13	27-0067	BOLT	8		
14	33-0351	COLLAR SHAFT	2		
15	14-0017	WHEEL	2		
16	28-0008	WASHER	6		
17	62-0188	SPACER	2		
18	20-0670A01	AXLE	2		
19	N/A Sep.	DECAL- DANGER/WARNING/CAUTION (SEE 34-9016)	1		
20	N/A	DECAL- DATA PLATE	1		
21	N/A Sep.	DECAL- WARNING: RISK OF BURNS (SEE 34-9016)	1		
22	N/A Sep.	DECAL- MAINTENANCE INSTRUCTIONS (SEE 34-9016)	1		
23	24-0082	REGULATOR PLUG	1		
24	22-0231	ADJUSTABLE REGULATOR	1		
25	24-0174	NIPPLE	1		
26	24-0010	NIPPLE	1		
27	24-0264	MANIFOLD BLOCK	1		
28	24-0082	PLUG	2		
29	22-0228	SAFETY VALVE	1		
30	23-0111	REDUCER	1		
31	22-0257	PRESSURE GAUGE	2		
32	24-0041	ELBOW	1		
33	3-0280	PUMP	1		
34	27-0121	BOLT	4		
35	N/A	AIR FILTER CANISTER	1		
36	19-0220	AIR FILTER ELEMENT	1		
37	30-0159	LOCKNUT	4		
38	26-0240	GASKET	1		
39	19-0240	AIR FILTER ASSY	1		
40	27-9524	BOLT	3		
41	N/A Sep.	DECAL- OPERATING INSTRUCTIONS	1		
42	33-0197	FASTNER	1		
43	854-0009	BELTGUARD ASSY	1		
44	N/A	BELTGUARD COVER	1		
45	33-0020	EDGING *(FOUR FEET REQUIRED)	1		

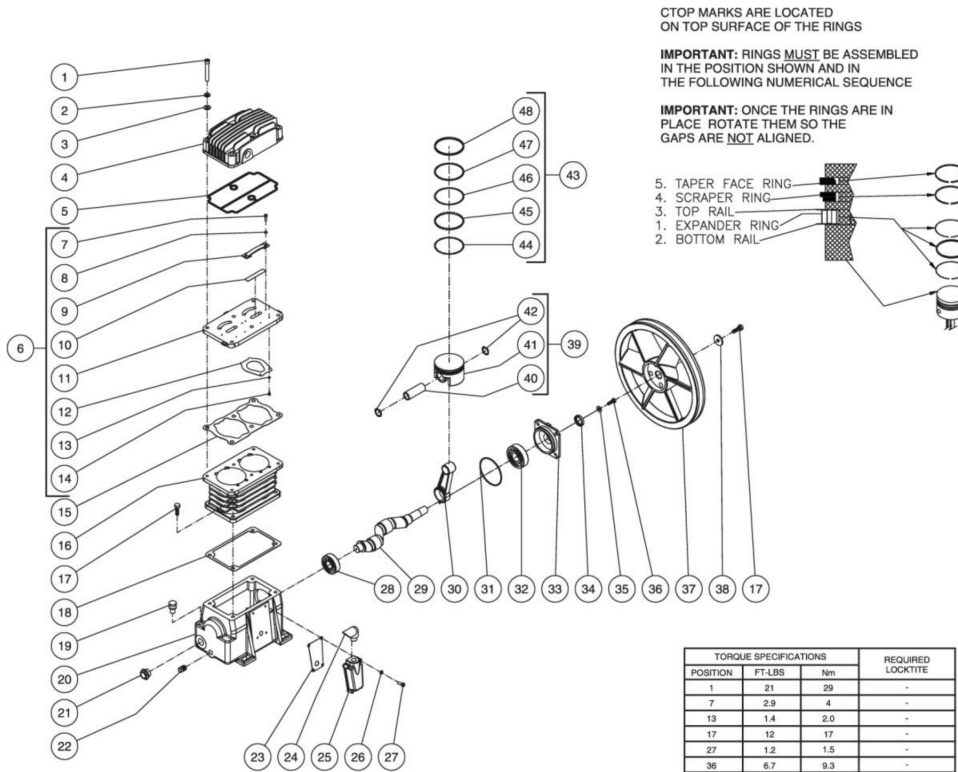
Id	Item #	Description	Quantity	Rev	Comments
46	27-0015	BOLT	2		
47	9-0009	BUSHING	1		
48	11-0073	BELT	1		
49	10-0122	SHEAVE	1		
50	854-0007	BELTGUARD BACK ASSY	1		
51	33-0020	EDGING	1		
52	N/A Sep.	DECAL- WARNING	1		
53	N/A	BELTGUARD BACK	1		
54	27-0079	BOLT	2		
55	28-0003	WASHER	10		
56	43-0073	KEY	1		
57	N/A Sep.	DECAL- CHECK OIL	2		
58	1-0088	ENGINE- HONDA 6.5HP	1		
59	N/A Sep	DECAL- MUFFLER HOT	1		
60	N/A Sep.	DECAL- ENGINE FUEL	1		
61	20-0916A01	AIR SHROUD	1		
62	33-0358	SPACER	4		
63	30-0157	LOCKNUT	4		
64	27-0070	BOLT	4		
65	24-0074	ELBOW	1		
66	15-0235	HOSE	1		
67	854-0064	THROTTLE CONTTTROL ASSY	1		
68	N/A	CLAMP SCREW	1		
69	N/A	THROTTLE CLAMP	1		
70	45-0084	ENGINE THROTTLE CLIP	1		
71	62-0126	ADAPTER	1		
72	33-0394	THROTTLE CONTROL	1		
73	N/A	THROTTLE CLIP	1		
74	23-0425	TUBE INSERT	2		
75	23-0315	NUT	1		
76	15-0238	HOSE	1		
77	23-0328	ADAPTER	1		
78	22-0346	PILOT VALVE	1		
79	34-9016	SAFETY DECAL KIT (INC. 10, 19, 21-22, 41, 52, 57, 59-60)	1		

*MUST ORDER IN ONE FOOT LENGTHS



AS1-PH65-20M / AS1-PH65-20M (sn:0-99999999)

COMPRESSOR PUMP



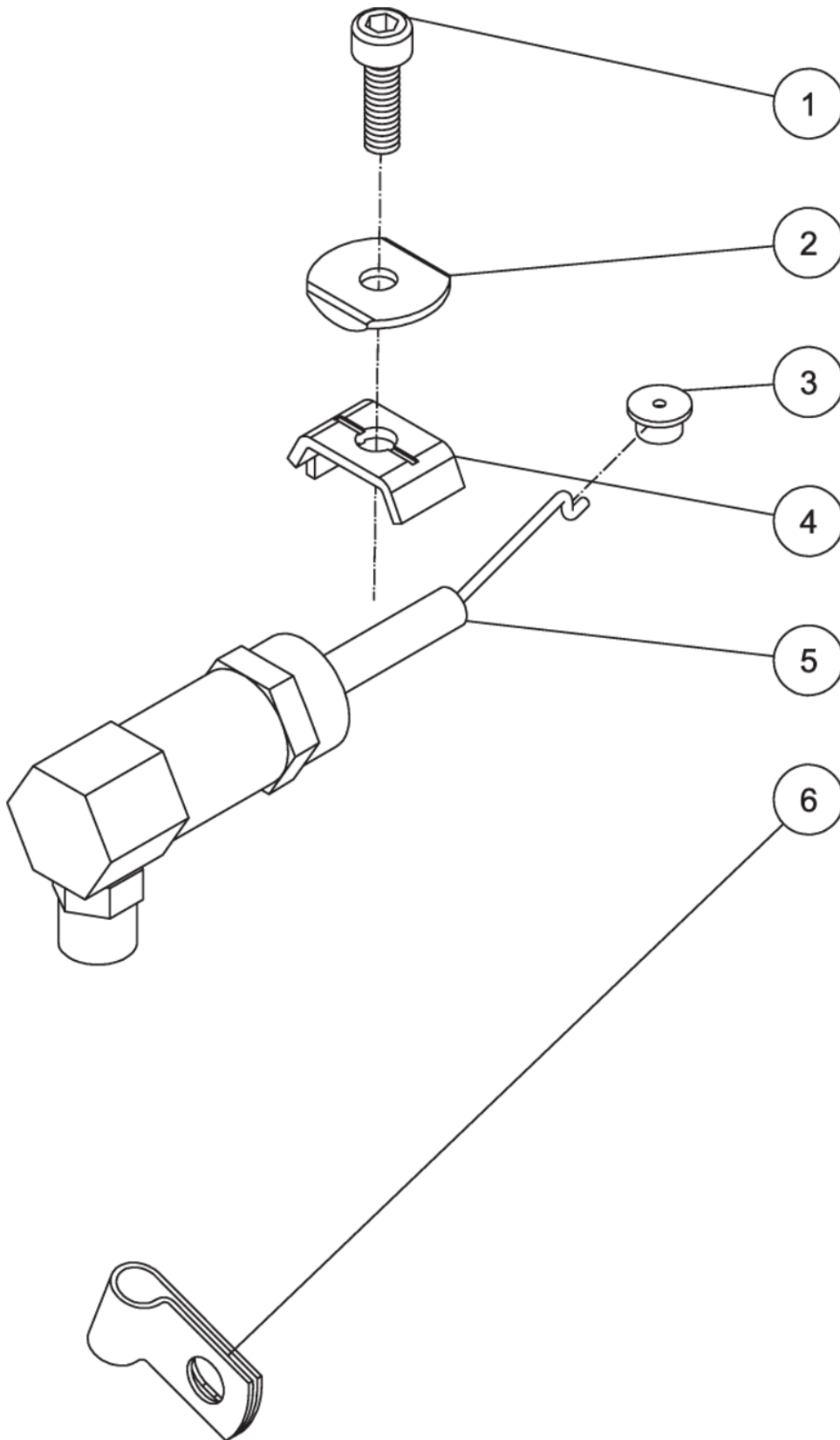
Id	Item #	Description	Quantity	Rev	Comments
1	27-0827	BOLT	6		
2	29-0007	LOCKWASHER	6		
3	28-0003	WASHER	6		
4	46-1236	CYLINDER HEAD	1		
5	N/A Sep.	GASKET (SEE 70-0453)	1		
6	70-0454	VALVE PLATE KIT (INC. 7-14)	1		
7	N/A Sep.	BOLT (SEE 70-0454)	4		
8	N/A Sep.	WASHER (SEE 70-0454)	4		
9	N/A Sep.	VALVE STOP (SEE 70-0454)	2		
10	N/A Sep.	OUTLET REED VALVE (SEE 70-0454)	2		
11	46-1235	VALVE PLATE	1		
12	N/A Sep.	INLET REED VALVE (SEE 70-0454)	2		
13	N/A Sep.	WASHER (SEE 70-0454)	4		

Id	Item #	Description	Quantity	Rev	Comments
14	N/A Sep.	VALVE SCREW (SEE 70-0454)	4		
15	N/A Sep.	GASKET (SEE 70-0453 OR 70-0454)	1		
16	46-1234	CYLINDER	1		
17	27-0067	BOLT	5		
18	N/A Sep.	CRANKCASE GASKET (SEE 70-0453)	1		
19	46-1144	OIL FILL PLUG	1		
20	46-1233	CRANKCASE	1		
21	46-1145	OIL SIGHT GLASS	1		
22	24-0009	PLUG	1		
23	26-0292	LABYRINTH COVER GASKET	1		
24	46-1241	LABYRINTH COVER ELBOW	1		
25	46-1242	LABYRINTH COVER	1		
26	28-1009	LOCKWASHER	4		
27	27-8885	BOLT	4		
28	48-0086	BALL BEARING	1		
29	46-1237	CRANKSHAFT	1		
30	46-1239	CONNECTING ROD	2		
31	N/A Sep.	O-RING (SEE 70-0453)	1		
32	48-0087	BALL BEARING	1		
33	46-1240	FLANGE	1		
34	26-0246	OIL SEAL SHAFT	1		
35	28-0002	WASHER	4		
36	27-0015	BOLT	4		
37	10-0136	SHEAVE	1		
38	N/A	WASHER	1		
39	46-1238	PISTON ASSEMBLY (INC. 40-42)	1		
40	N/A Sep.	WRIST PIN (SEE 46-1237 OR 46-1238)	2		
41	N/A Sep.	PISTON (SEE 46-1237 OR 46-1238)	2		
42	N/A Sep.	SNAP RING (SEE 46-1237 OR 46-1238)	4		
43	70-0452	RING KIT (INC. 44-48)	1		
44	N/A Sep.	BOTTOM RAIL (SEE 70-0452)	2		
45	N/A Sep.	ENPANDER RING (SEE 70-0452)	2		
46	N/A Sep.	TOP RAIL (SEE 70-0452)	2		
47	N/A Sep.	PISTON RING SCRAPER (SEE 70-0452)	2		
48	N/A Sep.	PISTON RING TAPER FACE (SEE 70-0452)	2		
KIT	70-0454	VALVE PLATE (INC. 7-14)			
KIT	70-0453	GASKET (INC. 5, 15, 18, 31)			
KIT	46-1237	PISTON ASSEMBLY (INC. 40-42)			
KIT	70-0452	PISTON RINGS (INC. 44-48)			



AS1-PH65-20M / AS1-PH65-20M (sn:0-99999999)

AIR THROTTLE ASSEMBLY



Id	Item #	Description	Quantity	Rev	Comments
1	N/A	BOLT	1		
2	N/A	CLAMP	1		
3	62-0126	ADAPTER	1		

Id	Item #	Description	Quantity	Rev	Comments
4	45-0084	ENGINE THROTTLE CLIP	1		
5	33-0394	AIR THROTTLE CONTROL	1		
6	N/A	CLIP	1		