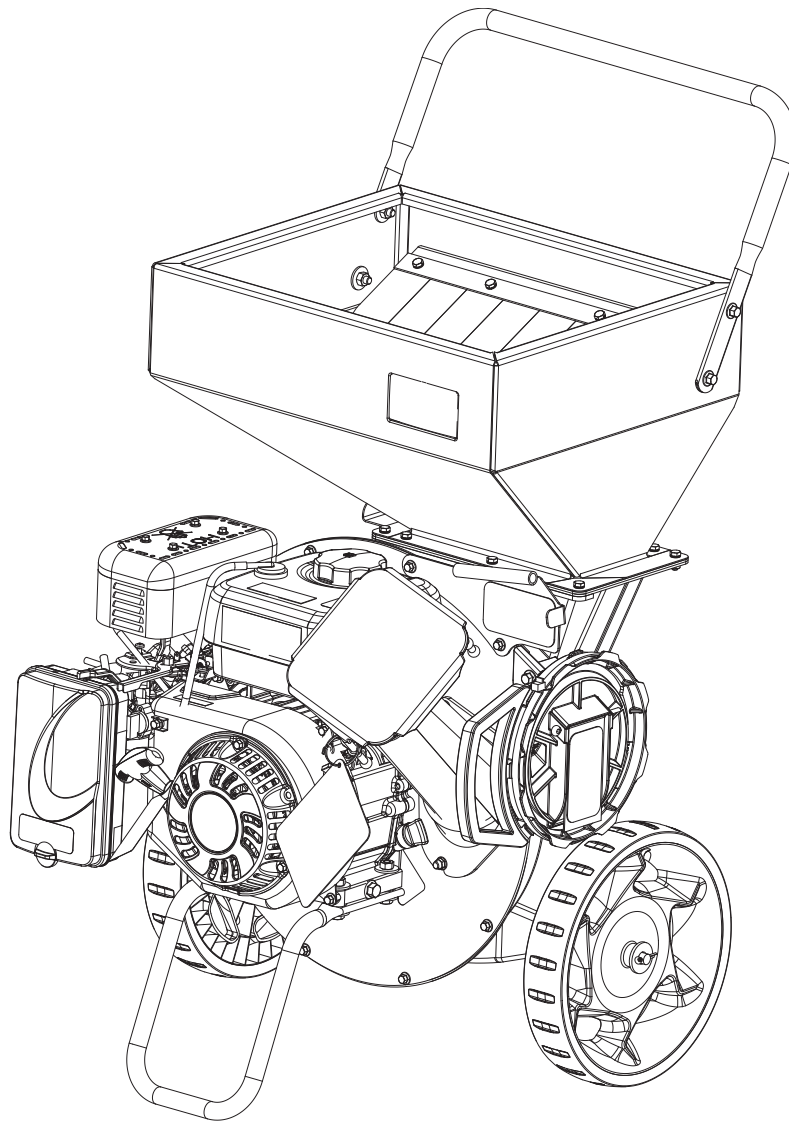


TorzzTM

Chipper Shredders

Operator's Manual
Original Operating Instructions
Chipper Shredders

SN



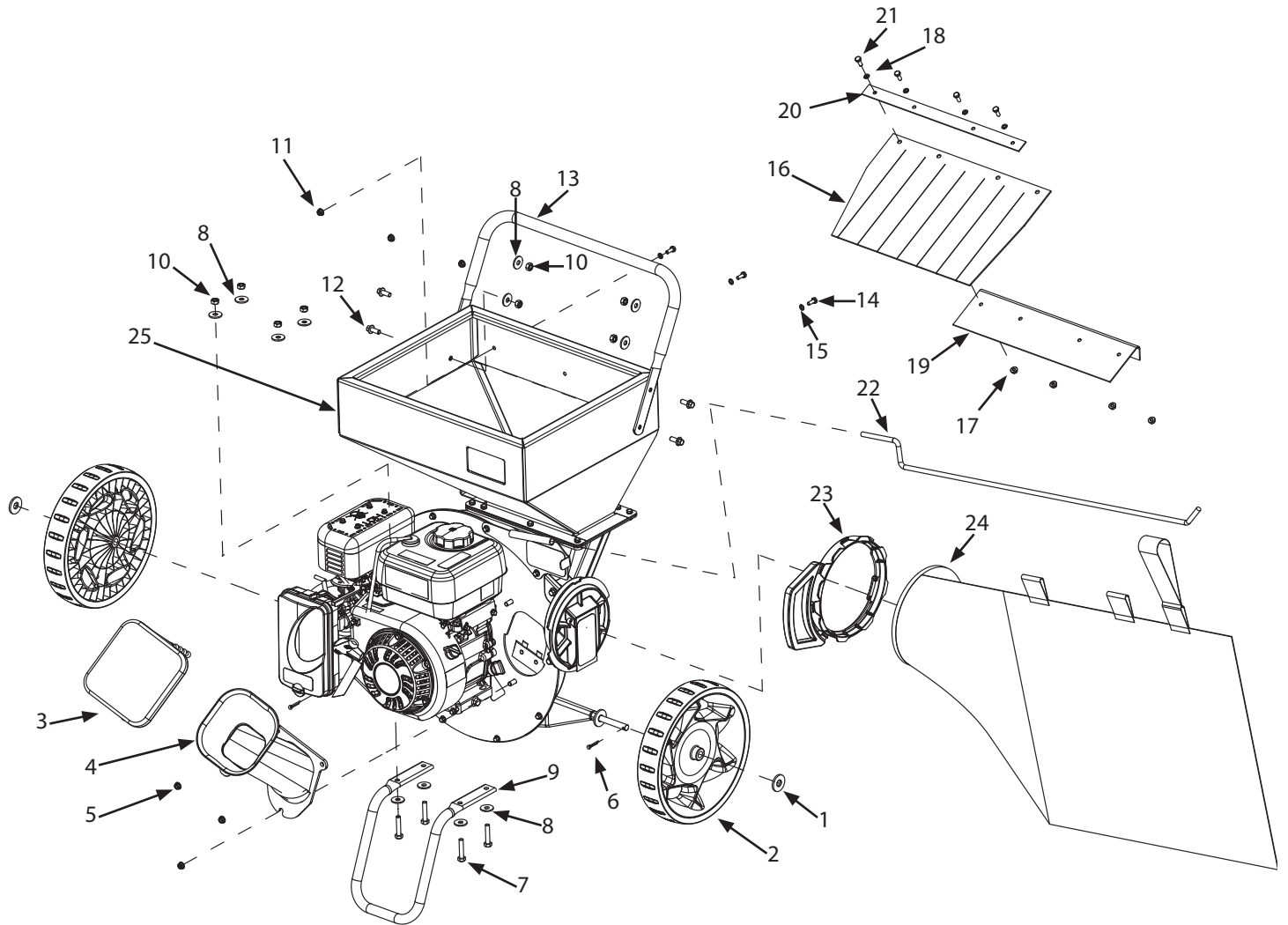
Includes Model Numbers:

- 18493 (Viper 212cc)
- 22752 (Viper 301cc)
- 22753 (Briggs & Stratton 205cc)
- 22754 (Kohler 196cc)



P/N: 22180
ECN: 11027
REV2: 12/01/15
© 2015 Ardisam, Inc.
All Rights Reserved

ILLUSTRATED PARTS BREAKDOWN

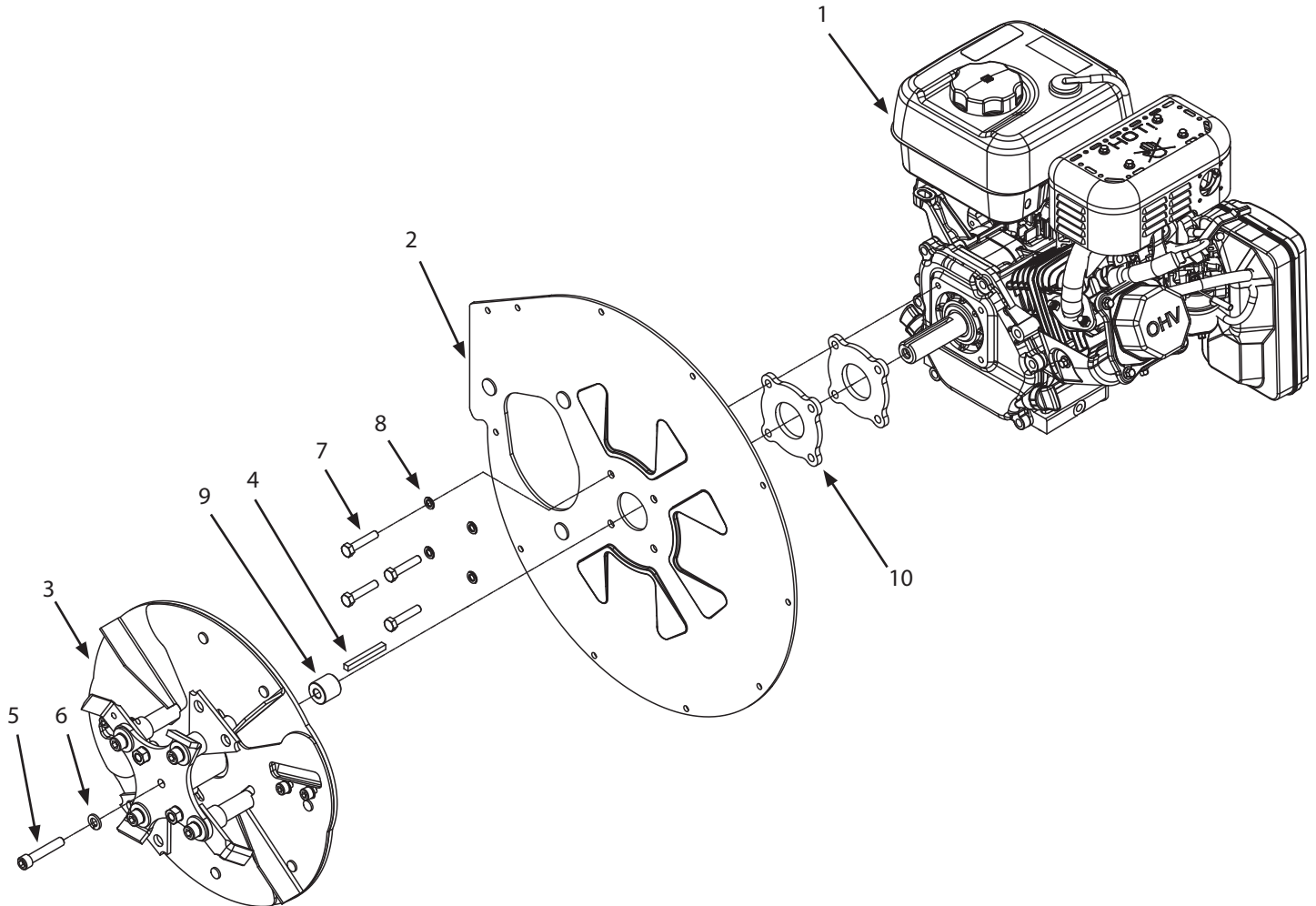


ILLUSTRATED PARTS BREAKDOWN

| ITEM # | PART # | DESCRIPTION | QTY. |
|--------|------------|--|------|
| 1 | 50175 | WASHER 12MM TILLER | 2 |
| 2 | 22243 | CHIPPER WHEEL 11X 2 | 2 |
| 3 | 22245 | CONE COVER | 1 |
| 4 | 21930 | WELDMENT CHIPPER CONE | 1 |
| 5 | 16400 | NUT M8 X 1.25 HSF NYLOC GR8.8 ZN | 8 |
| 6 | 22097 | COTTER PIN HAIRPIN 2MM X 50MM | 2 |
| 7 | 12770 | M8 X 1.25 X 40 MM 88 ZN | 4 |
| 8 | 20143 | WASHER M8 X 16 X 1.6 FLAT ZN | 12 |
| 9 | 22093 | KICKSTAND CHIPPER | 1 |
| 10 | W1256V0900 | NUT M8 X 1.25 HNYLK GR8.8 ZN | 8 |
| 11 | 14109 | NUT M6 X 1.0 HHFNLYLK GR8.8 ZN | 3 |
| 12 | 20818 | BOLT M8 X 1.25 X 16 HHSF GR8.8 ZN | 4 |
| 13 | 21904 | HANDLEBAR CHIPPER | 1 |
| 14 | 670890 | BOLT M6 X 1.0 X 16 HH GR8.8 ZN | 3 |
| 15 | 18130 | WASHER M6 X 1.5 SPRLK ZN | 3 |
| 16 | 1095100 | GUARD HOPPER 10.25 X 1.00 X 0.10 BLACK | 1 |
| 17 | 14109 | NUT M6 X 1.0 HHFNLYLK GR8.8 ZN | 4 |
| 18 | 18130 | WASHER M6 X 1.5 SPRLCK ZN | 4 |
| 19 | 22091 | FLANGE HOPPER GUARD | 1 |
| 20 | 22110 | RETAINER HOPPER GUARD | 1 |
| 21 | 67089 | BOLT M6 X 1.0 X 16 HH GR 8.8 ZN | 4 |
| 22 | 21942 | ROD BAG SUPPORT | 1 |
| 23 | 21932 | CONNECTOR BAG | 1 |
| 24 | 22029 | BAG CHIPPER 840MM X 560MM | 2 |
| 25* | --- | CHIPPER ASSEMBLY | --- |

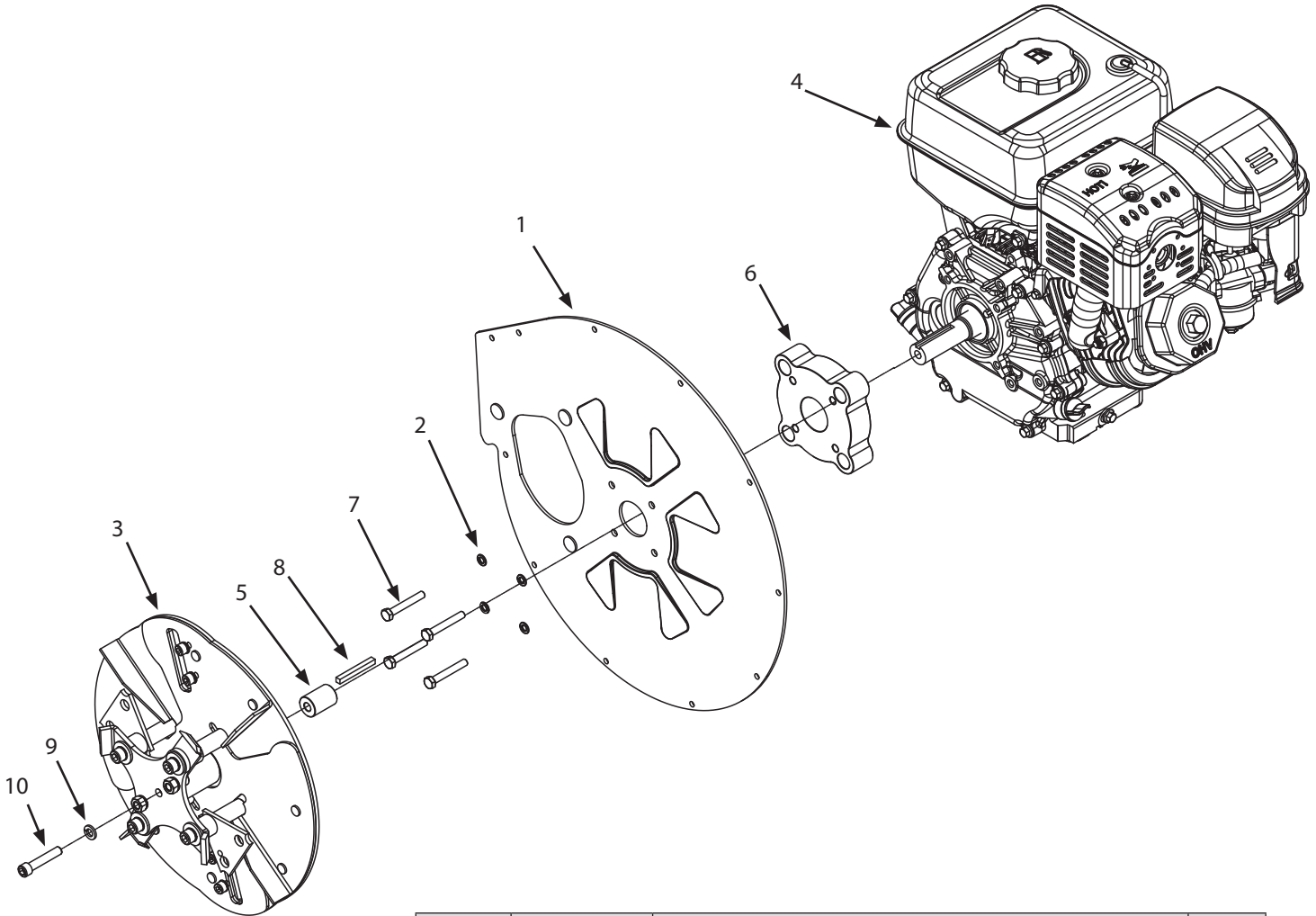
*Item shown for illustrative purposes only.

ILLUSTRATED PARTS BREAKDOWN - ENGINE AND ROTOR GROUP (MODEL 18493)



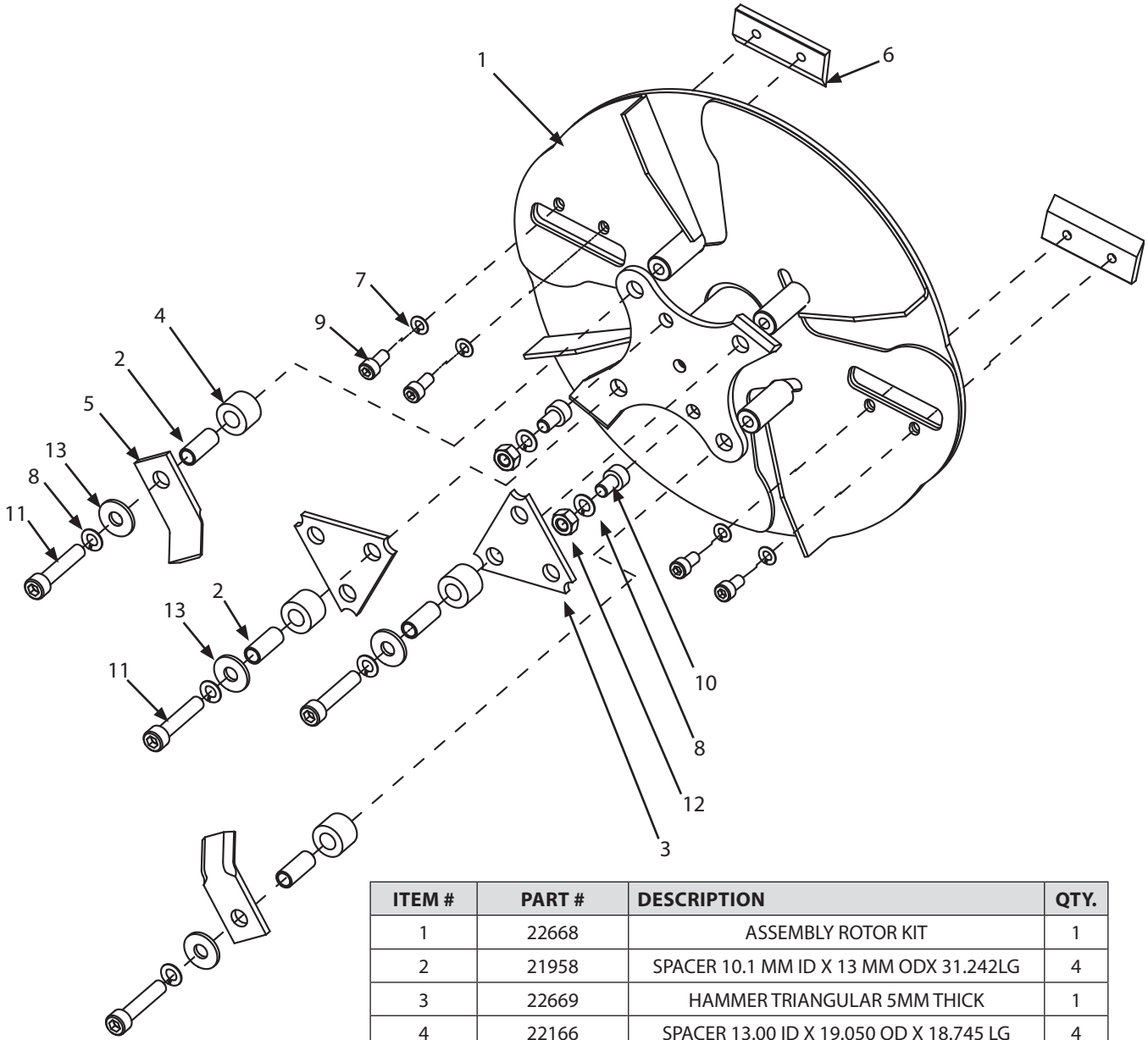
| ITEM # | PART # | DESCRIPTION | QTY. |
|--------|---------|---|------|
| 1 | 13434 | ENGINE HRZ 1 IN SHAFT 212CC VPR R210 EPA3 (18493) | 1 |
| | --- | ENGINE 6 HP BRIGGS INTEK HORZ SHAFT (22753) | 1 |
| | --- | KOHLER 196CC RH265 (22754) | 1 |
| 2 | 20828 | WELDMENT PLATE ENGINE | 1 |
| 3 | 21959 | ASSEMBLY ROTOR HAMMERS AND KNIVES METRIC | 1 |
| 4 | 905100 | KEY 1/4 SQ X 2-1/4 PARALLEL PLN | 1 |
| 5 | 6516100 | BOLT 3/8-24 X 2 SHCS GR8 BLK ZN | 1 |
| 6 | 1916965 | WASHER LOCK SPRING 3/8 | 1 |
| 7 | 813 | BOLT 5/16-24 X 1-1/4 HH GR8.8 ZN (18493) | 4 |
| | 1921515 | BOLT 5/16-24 X 3/4 HHCS GR5 (22753) | 4 |
| | 12770 | M8 X 1.25 X 40MM HH ZN (22754) | 4 |
| 8 | 21640 | WASHER M8 SPRLK ZN | 4 |
| 9 | 1713200 | SPACER .41 X 1.00 X .95 THK STEEL (18493, 22754) | 1 |
| | 3299100 | SPACER 406 ID X 1.000 OD X .822 LG (22753) | 1 |
| 10 | 22848 | SPACER ENGINE R210 (18493, 22754) | 2 |

ILLUSTRATED PARTS BREAKDOWN - ENGINE AND ROTOR GROUP (MODEL 22752)



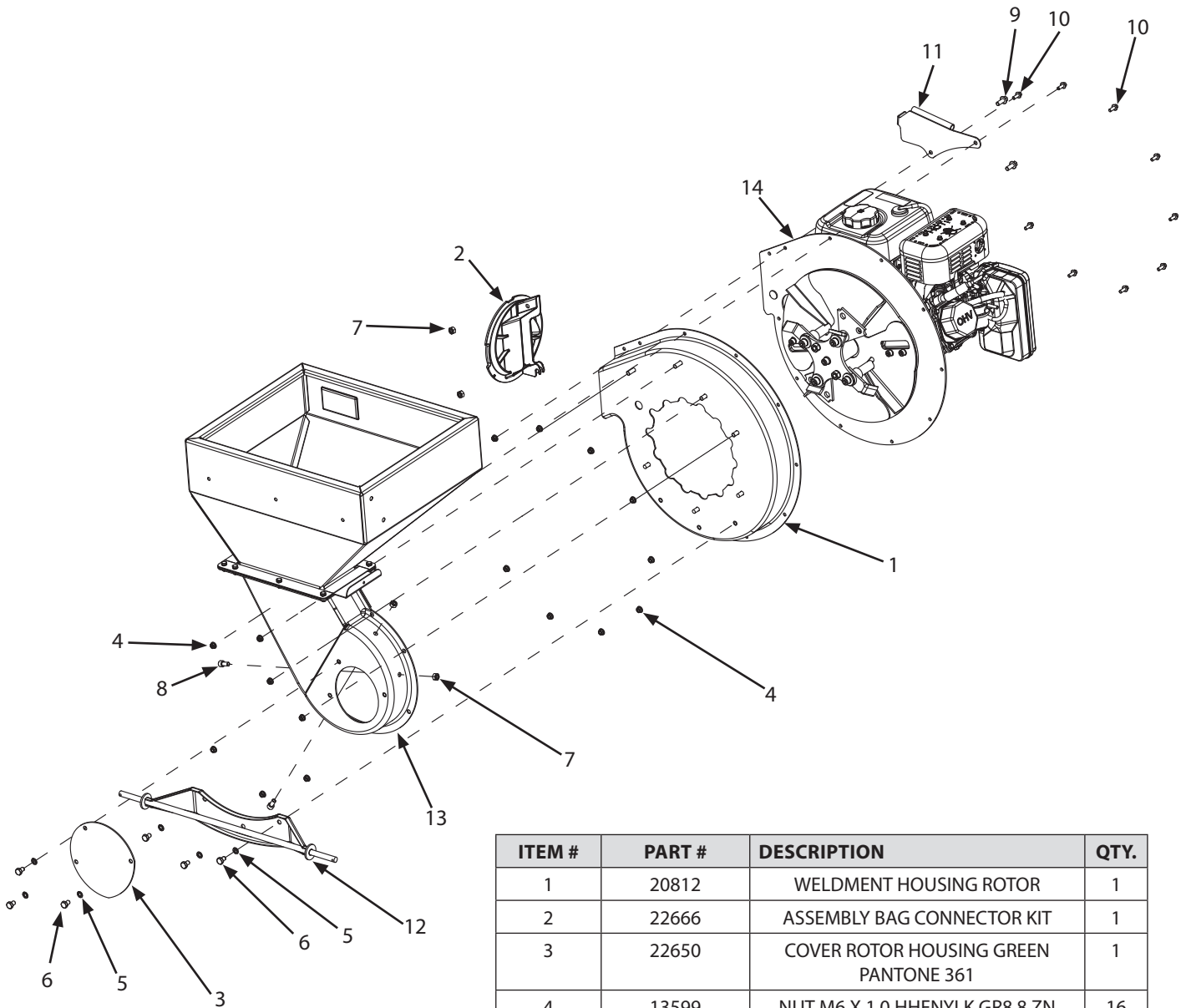
| ITEM # | PART # | DESCRIPTION | QTY. |
|--------|---------|---|------|
| 1 | 20838 | WELDMENT PLATE ENGINE | 1 |
| 2 | 21640 | WASHER M8 SPLRK ZN | 4 |
| 3 | 21959 | ASSEMBLY ROTOR HAMMERS AND KNIVES METRIC | 1 |
| 4 | 22842 | ENGINE HRZ 1 IN SHAFT 10 HP VPR R300 | 1 |
| 5 | 22860 | SPACER 10.31MM IDX 25.4 MM ODX 35.9 MM LG | 1 |
| 6 | 23193 | SPACER ENGINE R300 TAZZ 90MM C TO C | 1 |
| 7 | 23196 | BOLT M8 X 1.25 X 55 HHCS GR8.8 ZN F-T | 4 |
| 8 | 905100 | KEY 1/4 SQ X 2-1/4 PARALLEL PLN | 1 |
| 9 | 1916965 | WASHER LOCK SPRING 3/8 | 1 |
| 10 | 6516100 | BOLT 3/8-24 X 2 SHCS GR8 BLK ZN | 1 |

ILLUSTRATED PARTS BREAKDOWN - ROTOR GROUP



| ITEM # | PART # | DESCRIPTION | QTY. |
|--------|------------|---|------|
| 1 | 22668 | ASSEMBLY ROTOR KIT | 1 |
| 2 | 21958 | SPACER 10.1 MM ID X 13 MM ODX 31.242LG | 4 |
| 3 | 22669 | HAMMER TRIANGULAR 5MM THICK | 1 |
| 4 | 22166 | SPACER 13.00 ID X 19.050 OD X 18.745 LG | 4 |
| 5 | 22670 | ASSEMBLY J HAMMER KIT | 1 |
| 6 | 21962 | KNIFE CHIPPER 76.2 MM LG M8 TAP | 2 |
| 7 | 21640 | WASHER M8 SPRING LOCK ZINC | 4 |
| 8 | 13559 | WASHER M10 SPRING LOCK | 6 |
| 9 | 21963 | BOLT M8-1.25 X 16 SHCS GR8.8 ZN F-T | 4 |
| 10 | 21964 | BOLT M10-1.5 X 16 SHCS GR8.8 ZN F-T | 2 |
| 11 | 21965 | BOLT M10-1.5 X 50 SHCS GR8.8 ZN F-T | 4 |
| 12 | W1265V0903 | NUT M10 HNYLK GR8.8 ZN | 2 |
| 13 | 19905 | WASHER M10 X 20MM X 2MM X FLAT ZN | 4 |

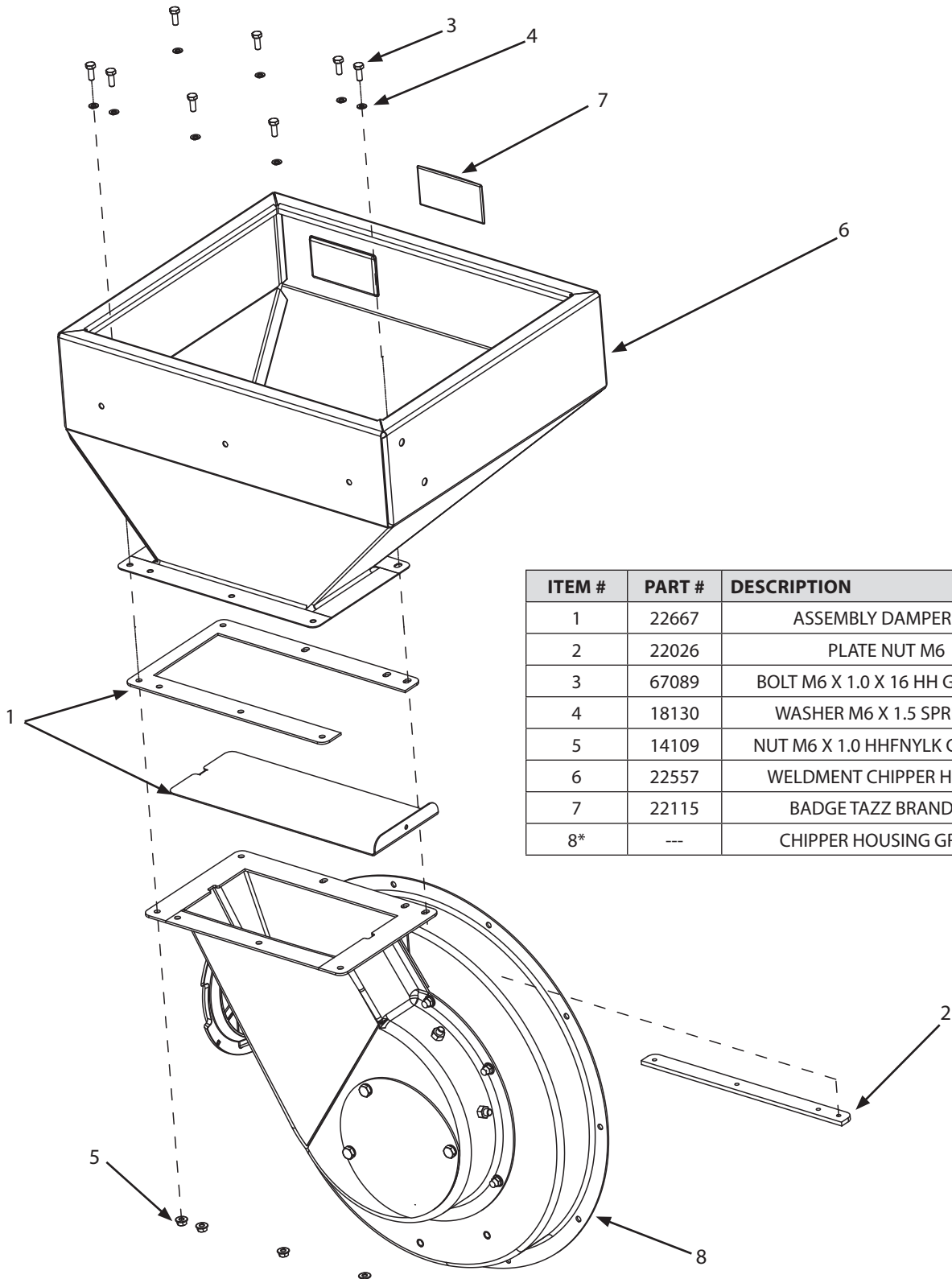
ILLUSTRATED PARTS BREAKDOWN - CHIPPER HOUSING GROUP



| ITEM # | PART # | DESCRIPTION | QTY. |
|--------|------------|--|------|
| 1 | 20812 | WELDMENT HOUSING ROTOR | 1 |
| 2 | 22666 | ASSEMBLY BAG CONNECTOR KIT | 1 |
| 3 | 22650 | COVER ROTOR HOUSING GREEN PANTONE 361 | 1 |
| 4 | 13599 | NUT M6 X 1.0 HHFNYLK GR8.8 ZN | 16 |
| 5 | 21640 | WASHER M8 SPRING LOCK ZINC | 6 |
| 6 | 3241 | BOLT M8 X 1.25 12 HHCS GR8.8 ZN | 6 |
| 7 | W1265V0900 | NUT M8 X 1.25 HNYLK GR8.8 ZN | 4 |
| 8 | 23956 | BOLT M8 X 1.25 X 12 SHCS GR8.8 ZN F-T | 2 |
| 9 | 22027 | BOLT M8-1.25 X 20 SFH GR8.8 ZN F-T | 2 |
| 10 | 22025 | BOLT M6-1.0 X 16 SFH GR8.8 ZN F-T | 9 |
| 11 | 22539 | WELDMENT BAG SUPPORT | 1 |
| 12 | 21935 | WELDMENT AXLE MOUNT CHIPPER | 1 |
| 13 | 19221 | WELDMENT CHIPPER BACK COVER | 1 |
| 14* | --- | ENGINE AND ROTOR GROUP | --- |

*Item shown for illustrative purposes only.

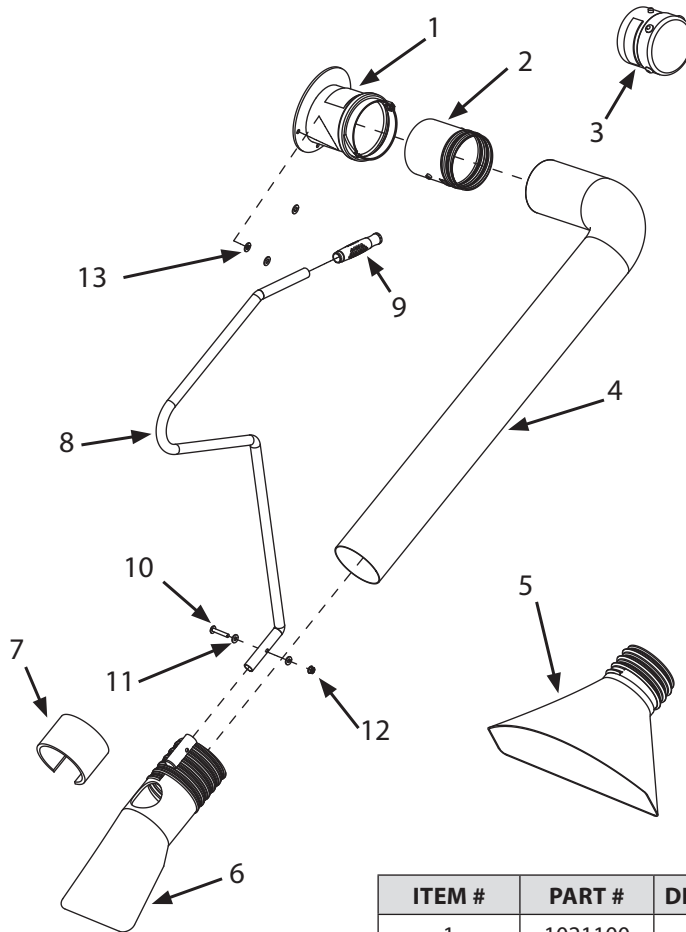
ILLUSTRATED PARTS BREAKDOWN - HOPPER GROUP



| ITEM # | PART # | DESCRIPTION | QTY. |
|--------|--------|--------------------------------|------|
| 1 | 22667 | ASSEMBLY DAMPER KIT | 1 |
| 2 | 22026 | PLATE NUT M6 | 1 |
| 3 | 67089 | BOLT M6 X 1.0 X 16 HH GR8.8 ZN | 8 |
| 4 | 18130 | WASHER M6 X 1.5 SPRLK ZN | 8 |
| 5 | 14109 | NUT M6 X 1.0 HHFNLYK GR8.8 ZN | 4 |
| 6 | 22557 | WELDMENT CHIPPER HOPPER | 1 |
| 7 | 22115 | BADGE TAZZ BRANDING | 1 |
| 8* | --- | CHIPPER HOUSING GROUP | --- |

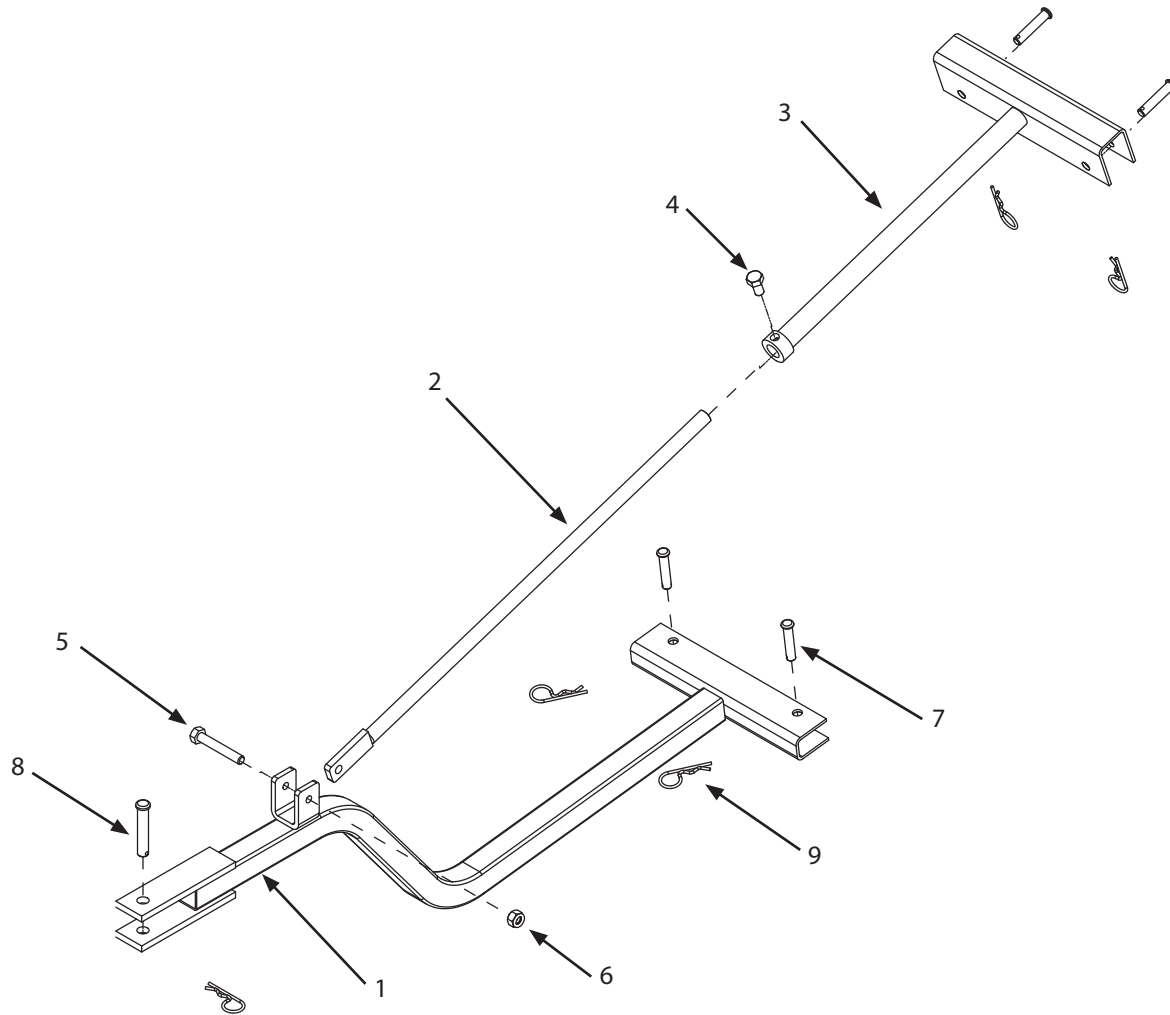
*Item shown for illustrative purposes only.

ILLUSTRATED PARTS BREAKDOWN - VACUUM KIT (OPTIONAL ACCESSORY) MODEL NO. 22518



| ITEM # | PART # | DESCRIPTION | QTY. |
|--------|---------|---|------|
| 1 | 1021100 | ADAPTER 4IN VAC COL HOSE | 1 |
| 2 | 1023100 | COUPLER VAC COL HOSE TO ADAPTER 2C 3 | 1 |
| 3 | 1025100 | CAP PLUG 4IN VOL HOSE 2C HOSE 2C 3C 5C | 1 |
| 4 | 1035100 | HOSE VAC COL 4.00DIA X 10 FT LG 5C | 1 |
| 5 | 1027100 | LEAF TRAY 2C 3C 5C VACUUM COL | 1 |
| 6 | 1030100 | NOZZLE VAC COL FOR 5C CHIPPERS | 1 |
| 7 | 1024100 | RING PLASTIC 5IN DIA 3IN LG NOTCHED | 1 |
| 8 | 1026100 | HANDLE VAC COL 0.75IN DIA TUBE | 1 |
| 9 | 1028100 | GRIP HANDLE 10IP BLACK VINYL 3/4 | 1 |
| 10 | 6041612 | BOLT 1/4-20 X 1-1/2 PTH ZN | 1 |
| 11 | 1921319 | WASHER 1/4 0.27 IDX0.620DX.05THK | 2 |
| 12 | 1960294 | NUT 1/4-20 HSF BW BLK ZN | 1 |
| 13 | 1919326 | WASHER-0.312 0.34ID X 0.75ODX 0.06THK | 3 |

ILLUSTRATED PARTS BREAKDOWN - TOW BAR KIT (OPTIONAL ACCESSORY) MODEL NO. 1692327



| ITEM # | PART # | DESCRIPTION | QTY. |
|--------|---------|-------------------------------------|------|
| 1 | 1713352 | BENT ARM ASSEMBLY, TOW BAR | 1 |
| 2 | 1713414 | ROD ASSEMBLY-TOW VAR SWING ARM | 1 |
| 3 | 1713357 | ROD HOLDER ASSY-TOW BAR | 1 |
| 4 | 1925205 | BOLT 5/16-18 5/8 HHCS GR5 | 1 |
| 5 | 1423B | BOLT 5/16-18 X 2 HHCS GR5 BLK ZN | 1 |
| 6 | 1919438 | NUT 5/16-18 NYLOCK BLK ZN | 1 |
| 7 | 1710726 | PIN-CLEVIS .308DIA X 1.500LG .43DIA | 4 |
| 8 | 118053 | PIN-RND HD DRILLED .375 X 2.000 | 1 |
| 9 | 1918196 | PIN-QUICK .091DIA WIRE 1.875LG | 5 |