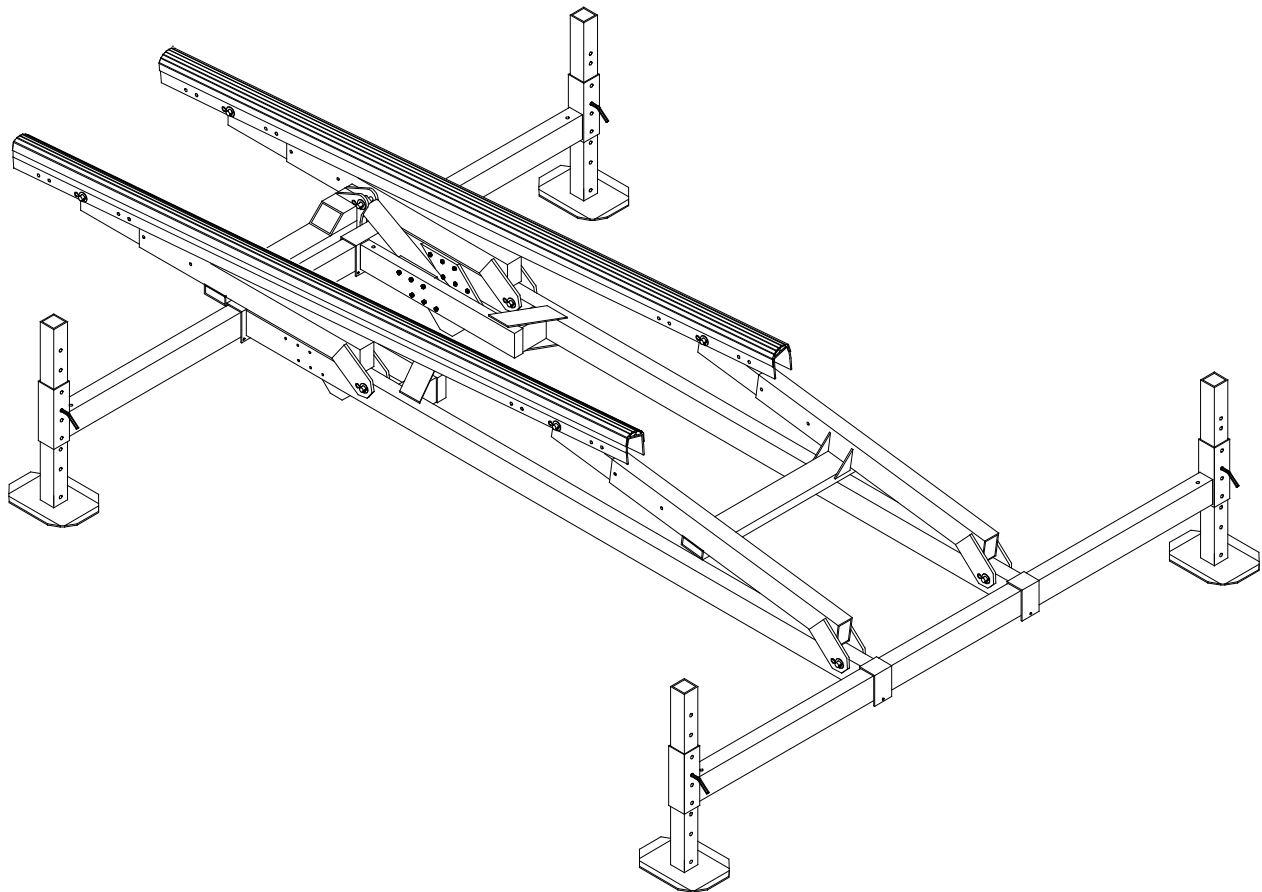




HL50120-48 /HL50120-60 HL60120-48/HL60112-48 HYDRAULIC BOAT LIFT INSTRUCTIONS



REIMANN & GEORGER CORPORATION
MARINE PRODUCTS
P/N 6114160

BUFFALO, NY
05/20/16

7 PARTS LISTS

Each reference number or letter in the following parts lists can be matched with the reference number or letter referred to in both the text and illustrations of Chapter 3, Installation and Setup.



WARNING:

FAILURE TO APPLY A SUITABLE LUBRICANT TO THE MATING SURFACES OF STAINLESS STEEL THREADED FASTENERS MAY CAUSE GALLING AND/OR SEIZING OF ASSEMBLY.

7.1 HL50120-48 BOAT LIFT 48”

SECTION #	PART #	QTY	DESCRIPTION
8	4107504	1	HL5-6K LIFT ARM ASSEMBLY- REAR
9	4107422	1	HL5-6K LIFT ARM ASSEMBLY- FRONT
10	4107604	4	HL6K-48” LIFTARM EXTENSION
3	4107531	2	HL5K LEG ASSEMBLY
4	4107540	1	HL5-6K MAIN FRAME ASSEMBLY LH
5	4107543	1	HL5-6K MAIN FRAME ASSEMBLY RH
7.6	4107101	1	HL ALUM BUNK BUNDLE
7.7	4107405	1	HL4-6K CYLINDER & HOSE ASSY PLATED (STANDARD)
	4107404		HL4-6K CYLINDER W/STAINLESS HOSE & FTG’S (OPTIONAL)
7.8	4107201	1	HL5K HARDWARE CARTON OF PARTS

7.2 HL50120-60 BOAT LIFT 60”

SECTION #	PART #	QTY	DESCRIPTION
8	4107504	1	HL5-6K LIFT ARM ASSEMBLY- REAR
9	4107422	1	HL5-6K LIFT ARM ASSEMBLY- FRONT
10	4107601	4	HL5K-60” LIFTARM EXTENSION
3	4107531	2	HL5K LEG ASSEMBLY
4	4107540	1	HL5-6K MAIN FRAME ASSEMBLY LH
5	4107543	1	HL5-6K MAIN FRAME ASSEMBLY RH
7.6	4107101	1	HL ALUM BUNK BUNDLE
7.7	4107405	1	HL4-6K CYLINDER & HOSE ASSY PLATED (STANDARD)
	4107404		HL4-6K CYLINDER & STAINLESS HOSE & FTG’S (OPTIONAL)
7.8	4107201	1	HL5K HARDWARE CARTON OF PARTS

7.3 HL60120-48 STANDARD BOAT LIFT (48”)

REF #	PART #	QTY	DESCRIPTION
8	4107504	1	HL5-6K LIFT ARM ASSEMBLY- REAR
9	4107422	1	HL5-6K LIFT ARM ASSEMBLY- FRONT
10	4107604	4	HL6K-48” LIFTARM EXTENSION
3	4107597	2	HL6-7K LEG ASSEMBLY 120” (124”O.A.L.)
4	4107540	1	HL5-6K MAIN FRAME ASSEMBLY LH
5	4107543	1	HL5-6K MAIN FRAME ASSEMBLY RH
7.6	4107101	1	HL ALUM BUNK BUNDLE
7.7	4107405	1	HL4-6K CYLINDER & HOSE ASSY PLATED (STANDARD)
	4107404		HL4-6K CYLINDER & STAINLESS HOSE & FTG’S (OPTIONAL)
7.8	4107201	1	HL5K HARDWARE CARTON OF PARTS

7.4 HL60112-48 NARROW BOAT LIFT (48")

REF #	PART #	QTY	DESCRIPTION
8	4107504	1	HL5-6K LIFT ARM ASSEMBLY- REAR
9	4107422	1	HL5-6K LIFT ARM ASSEMBLY- FRONT
10	4107604	4	HL6K-48" LIFTARM EXTENSION
3	4107595	2	HL6K LEG ASSEMBLY 116" (120"O.A.L.)
4	4107540	1	HL5-6K MAIN FRAME ASSEMBLY LH
5	4107543	1	HL5-6K MAIN FRAME ASSEMBLY RH
7.6	4107101	1	HL ALUM BUNK BUNDLE
7.7	4107405	1	HL4-6K CYLINDER & HOSE ASSY PLATED (STANDARD)
7.8	4107201	1	HL5K HARDWARE CARTON OF PARTS

7.5 HL EXTENSION LEGS

REF #	PART #	QTY	DESCRIPTION
2	as ordered	4	HL EXTENSION LEGS 3' to 9' LENGTHS (in 2' increments)

7.6 HL BUNK BUNDLE

REF #	PART #	QTY	DESCRIPTION
12	4107410	2	HL BUNK ASSEMBLY (2pcs. Total)

7.7 4107405 HL4-6K HYDRAULIC CYLINDERS & HOSE ASSY (STANDARD-PLATED)

REF #	PART #	QTY	DESCRIPTION
11	6041071	2	HYDRAULIC CYLINDER 3 X 15-7/8
S	4107925	2	HOSE ASSEMBLY 4'
T	4107922	2	HOSE ASSEMBLY 2'
U	4100020	2	HOSE ASSEMBLY 20' (2013)
V	5641010	2	3/8 X 1/4 STRAIGHT ADAPTER
	5641075		ADAPTER 45D 7/16JICM X9/16SAEM (06/12)
W	5641020	2	1/4 TEE
X	6041364	1	1/4 FEMALE COUPLING (SCREW TO CONNECT)
Y	6041365	1	1/4 MALE COUPLING (SCREW TO CONNECT)
Z	5641073	2	3/8 X 1/4 90 DEGREE ADAPTER- PLATED

7.8 4107404 HL4-6K HYDRAULIC CYLINDERS W/STAINLESS HOSE & FITTINGS (OPTIONAL)

REF #	PART #	QTY	DESCRIPTION
11	6041071	2	HYDRAULIC CYLINDER 3 X 15-7/8
S	4107955	2	HOSE ASSEMBLY 4' W/STAINLESS FTG'S
T	4107952	2	HOSE ASSEMBLY 2' W/STAINLESS FTG'S
U	4107961	2	HOSE ASSEMBLY 18' W/STAINLESS FTG'S
V	5641010	2	3/8 X 1/4 STRAIGHT ADAPTER
W	5694102	2	1/4 TEE -STAINLESS
X	6041364	1	1/4 FEMALE COUPLING (SCREW TO CONNECT)
Y	6041365	1	1/4 MALE COUPLING (SCREW TO CONNECT)
Z	5694101	2	3/8 X 1/4 90 DEGREE ADAPTER- STAINLESS

7.9 HL5-6K HARDWARE CARTON OF PARTS

REF #	PART #	QTY	DESCRIPTION
A	4100900	1	HL LEG PIN SET (4 ea. PINS & CLIPS)
1	4107534	4	FOOT PLATE ASSY
6	4107549	2	CYLINDER SUPPORT—LEFT HAND
7	4107546	2	CYLINDER SUPPORT—RIGHT HAND
Z	6436105	4	3" SQUARE PLASTIC CAP
	4107303	1	HL5-7K BAG OF BOLTS consisting of:
C	5897018	12	1/2 NYLOCK HEX NUT
D	5896292	12	1/2 X 4 HEX HEAD CAP SCREW
E	5896262	18	3/8 X 4-1/2 HEX HEAD CAP SCREW
F	5896406	30	3/8 SAE FLAT WASHER
G	5806243	30	3/8 SPLIT LOCK WASHER
H	5896377	30	3/8 HEX NUT
I	5896257	12	3/8 X 3-1/2 HEX HEAD CAP SCREW
	4107306	1	HL5-7K CLEVIS PIN BAG consisting of:
J	4107934	8	2-1/4" OD X .91" ID X 1/16" THICK NYLON LIFTARM WASHER
K	5894109	6	HL CLEVIS PIN 3/4 X 5" HEADED
L	4107919	2	7/8 X 7-1/16 CYLINDER BOTTOM CLEVIS PIN
M	4107913	2	7/8 X 4-1/8 CYLINDER TOP CLEVIS PIN
N	4107949	4	2" OD X 29/32" ID X 3/16 THICK NYLON HL CYL SPACER
O	4107937	8	1-3/4" OD X 25/32 ID X 1/8 THICK NYLON BUNK WASHER
P	5894108	16	5/32 X 1-3/4 COTTER PIN
Q	5893625	10	7/8 SAE FLAT WASHER
R	5896417	6	3/4 SAE FLAT WASHER
B	5894110	2	HL CLEVIS PIN 7/8" X 5" HEADED



WARNING:

HYDRAULIC CYLINDER HOSE FITTINGS MUST FACE UPWARDS TO AVOID DAMAGING THE FITTINGS OR HOSES IF THEY CONTACT THE GROUND DURING OPERATION. DAMAGE TO BOAT OR LIFT FROM SUDDEN LOSS OF HYDRAULIC FLUID COULD RESULT.

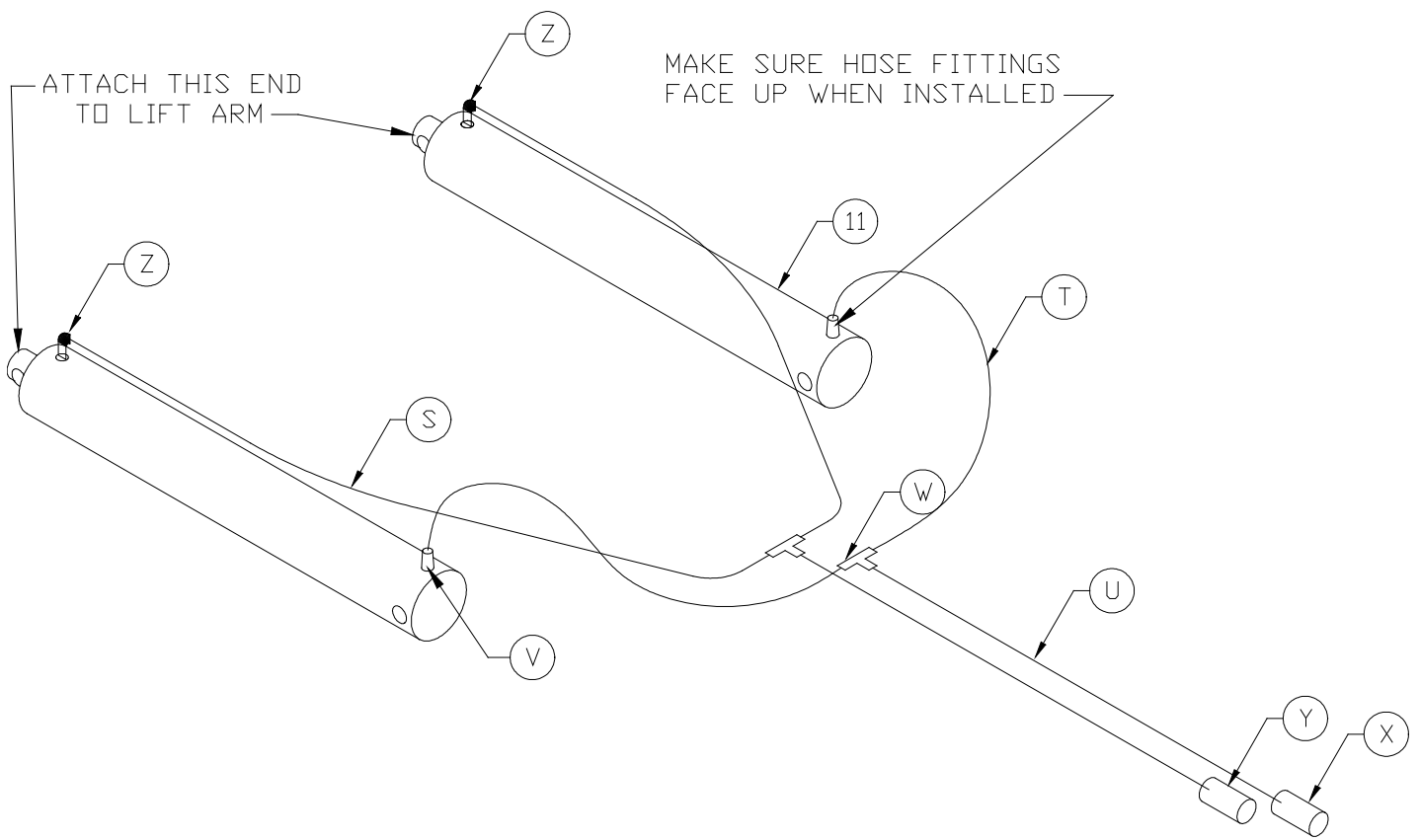


Figure 7-1
Hydraulic Cylinder and Hose Assembly

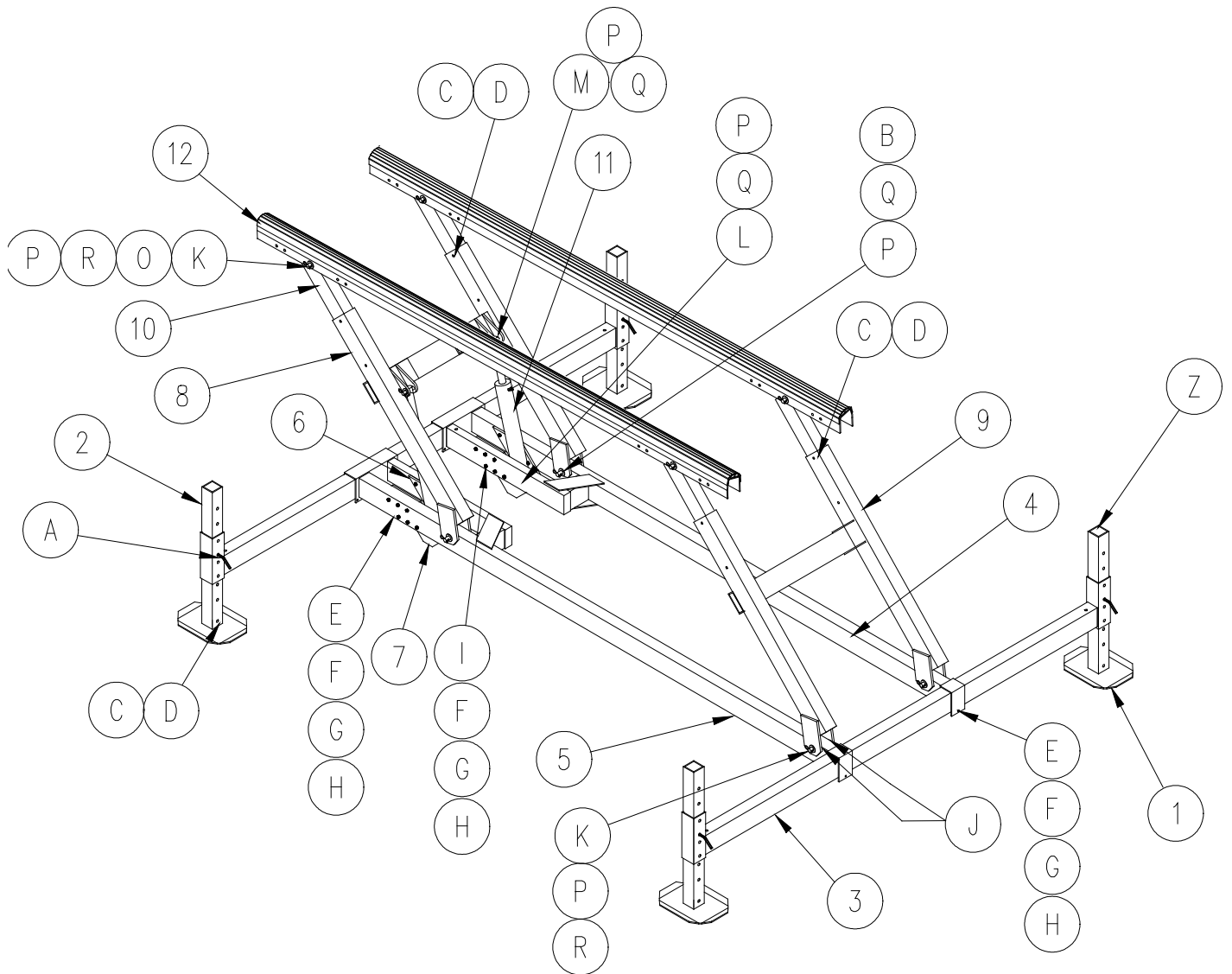


Figure 7-2A
Complete Hydraulic Lift Assembly 60" Lift

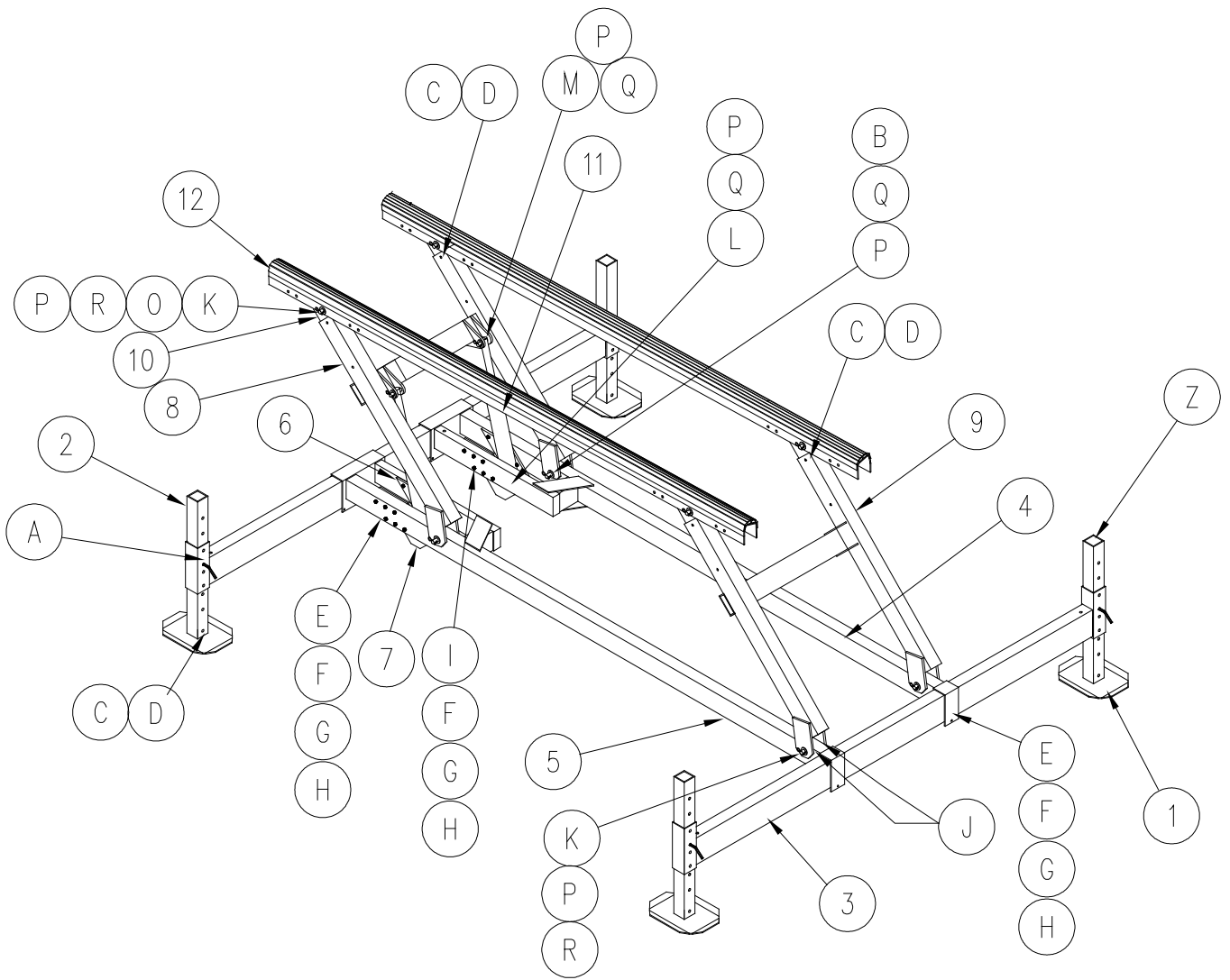


Figure 7-2B
Complete Hydraulic Lift Assembly 48" Lift