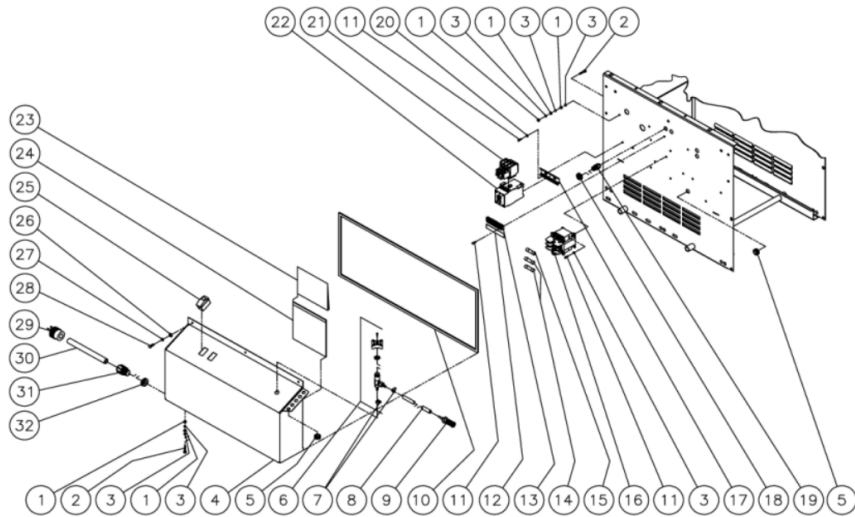




HHS-3004-0E9A / HHS-3004-0E9A (sn:0-99999999)

## ELECTRIC BOX



Id	Item #	Description	Quantity	Rev	Comments
1	30-6001	NUT	5		
2	27-8807	BOLT	2		
3	28-1009	WASHER	7		
4	20-0534A18	ELECTRIC BOX	1		

Id	Item #	Description	Quantity	Rev	Comments
5	33-0001	GROMMET	9		
6	22-0226	DETERGENT VALVE	1		
7	42-0004	HOSE CLAMP	2		
8	15-0021	HOSE *(SIX FEET REQUIRED)	1		
9	19-0056	DETERGENT STRAINER W/CHECK	1		
10	26-0240	GASKET	1		
11	27-8835	SCREW	6		
12	34-0867	DECAL- TERMINAL STRIP	1		
13	32-0436	TERMINAL STRIP	1		
14	32-0467	FUSE- 0.5 AMP	2		
15	32-0471	FUSE- 0.6 AMP	1		
16	32-0313	TRANSFORMER	1		
17	32-0316	DIN RAIL *(ONE FOOT REQUIRED)	1		
18	32-0587	LOCKNUT	2		
19	32-0586	STRAIN RELIEF	1		
20	28-0001	WASHER	2		
21	32-0483	OVERLOAD RELAY (HHS-2004-0E3G/A, 0E9G/A)	1		
21	32-0484	OVERLOAD RELAY (HHS-3004-0E3G/A, 0E9G/A, HHS-3005-0E3G/A)	1		
21	32-0485	OVERLOAD RELAY (HHS-3005-0E9G/A)	1		
22	32-0477	CONTACTOR (HHS-2004-0E3G/A, 0E9G/A)	1		
22	32-0478	CONTACTOR (HHS-3004-0E3G/A, 0E9G/A, HHS-3005-0E3G/A)	1		
22	32-0479	CONTACTOR (HHS-3005-0E9G/A)	1		
23	37-0607	WIRE DIAGRAM/SCHEMATIC	1		
24	41 -0184	ENVELOPE	1		
25	32-0669	ROCKER SWITCH	2		
26	28-0002	WASHER	3		
27	29-0006	LOCKWASHER	3		
28	27-0015	BOLT	3		
29	32-0118	PLUG (HHS-2004-0E3G/A)	1		
29	32-0037	PLUG (HHS-2004-0E9G/A, HHS-3004-0E3G/A, 0E9G/A, HHS-3005-0E3G/A)	1		
29	32-0175	PLUG (HHS-3005-0E9G/A)	1		
30	32-0023	CORD *(THIRTY-SEVEN FEET REQUIRED) (HHS-2004/3004-0E3G/A, HHS-2004-0E9G)	1		
30	32-0123	CORD *(THIRTY-SEVEN FEET REQUIRED) (HHS-3004-0E9G/A, HHS-3005-0E3G/A, 0E9G/A)	1		
31	9-0046	STRAIN RELIEF	1		
32	32-0292	LOCKNUT	1		

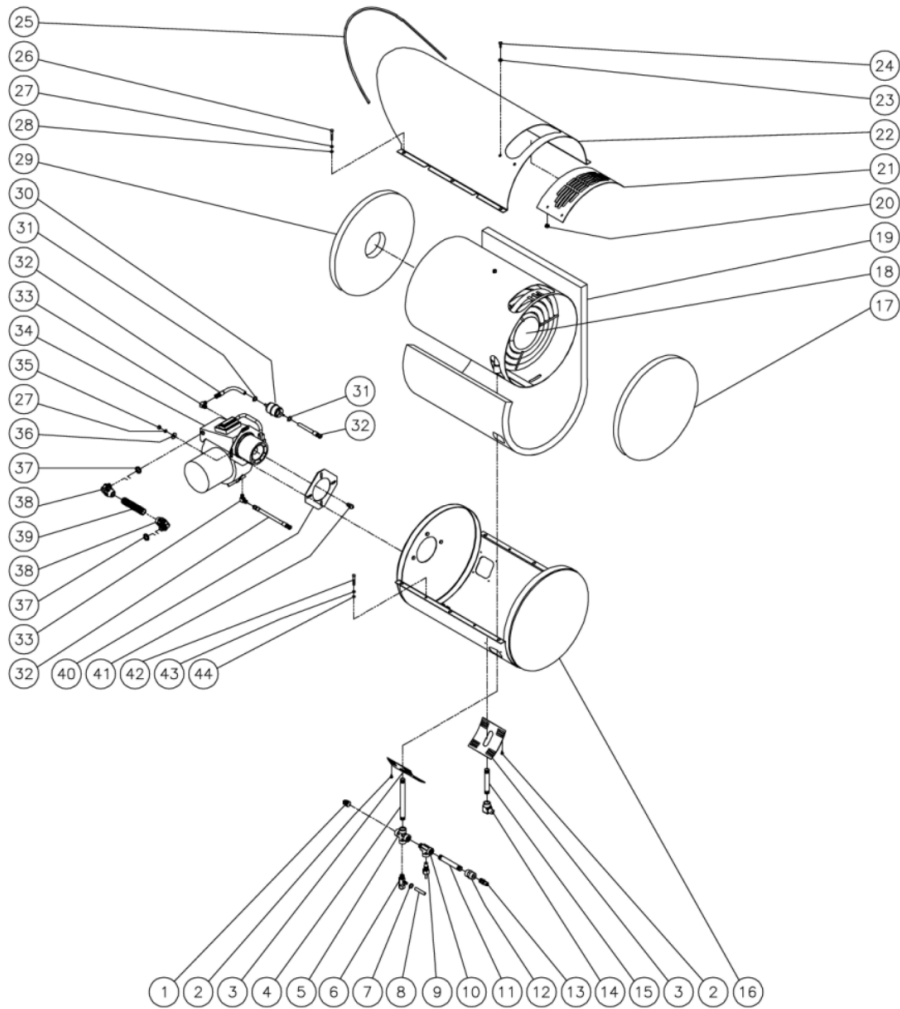
\*MUST ORDER IN ONE FOOT LENGTHS





HHS-3004-0E9A / HHS-3004-0E9A (sn:0-99999999)

# HEAT EXCHANGER



Id	Item #	Description	Quantity	Rev	Comments
1	39-0016	PLUG	1		
2	27-3062	SCREW	8		
3	20-0537A18	PATCH PLATE	2		
4	24-0255	PIPE NIPPLE	1		

Id	Item #	Description	Quantity	Rev	Comments
5	24-0241	CROSS	1		
6	22-0308	SAFETY RELIEF VALVE ASSY (HHS-1 002/1003/2004)	1		
-	22-0309	SAFETY RELIEF VALVE ASSY (HHS-3004)	1		
7	42-0004	CLAMP	1		
8	15-0008	HOSE *(TWO FEET REQUIRED)	1		
9	32-0667	HI-LIMIT	1		
10	24-0242	STREET TEE	1		
11	24-0246	PIPE NIPPLE	1		
12	24-0243	ADAPTER	1		
13	17-0005	QUICK CONNECT PLUG	1		
14	24-0240	ELBOW	1		
15	24-0245	PIPE NIPPLE	1		
16	20-0527A18	BOTTOM WRAP ASSEMBLY	1		
17	33-0346	INSULATION DOME	1		
18	66-0014	COIL ASSEMBLY	1		
19	850-0279	INSULATION BLANKET (REPLACEMENT ONLY)	1		
20	30-6028	CLIP NUT	4		
21	21-0138	EXHAUST PLATE	1		
22	20-0528A09	TOP WRAP	1		
23	28-0001	WASHER	4		
24	27-8912	SCREW	4		
25	33-0020	TRIMLOCK *(THREE FEET REQUIRED)	1		
26	27-0121	BOLT	6		
27	29-0008	LOCKWASHER	9		
28	28-0030	WASHER	6		
29	33-0345	INSULATION DOME	1		
30	19-0110	INLINE FUEL FILTER	1		
31	42-0003	CLAMP	2		
32	15-0147	FUEL HOSE	2		
33	23-0237	ELBOW	2		
34	4-0020	BURNER (HHS-1002-0E1A/1G)	1		
34	4-0019	BURNER (HHS-1003-0E1A/1G)	1		
34	4-0018	BURNER (HHS-2004/3004-0E2/3/8/9A/G, HHS-3005-0E3A/G)	1		
34	4-0017	BURNER (HHS-2004/3004/3005-0E4A/G)	1		
35	30-0006	NUT	3		
36	28-0023	WASHER	3		
37	32-0108	CONDUIT W/ELBOW	2		
38	32-0254	ELBOW	2		
39	32-0253	CONDUIT *(TWO FEET REQUIRED)	1		

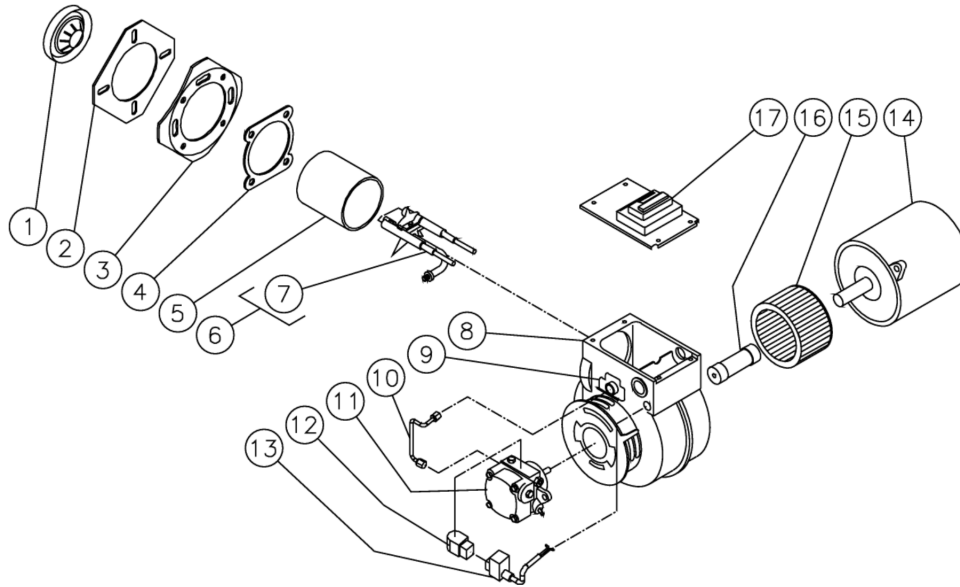
<b>Id</b>	<b>Item #</b>	<b>Description</b>	<b>Quantity</b>	<b>Rev</b>	<b>Comments</b>
40	44-0108	GASKET W/BURNER	1		
41	18-0357	FUEL NOZZLE- 1.00 (HHS-1002)	1		
41	18-0356	FUEL NOZZLE- 1.50 (HHS-1003)	1		
41	18-0355	FUEL NOZZLE- 1.75 (HHS-3004)	1		
41	18-0090	FUEL NOZZLE- 2.25 (HHS-2004)	1		
41	18-0093	FUEL NOZZLE- 2.50 (HHS-3005)	1		
42	27-0019	BOLT	4		
43	29-0006	LOCKWASHER	4		
44	28-0002	WASHER	4		

\*MUST ORDER IN ONE FOOT LENGTHS



HHS-3004-0E9A / HHS-3004-0E9A (sn:0-99999999)

## BURNER ASSEMBLY



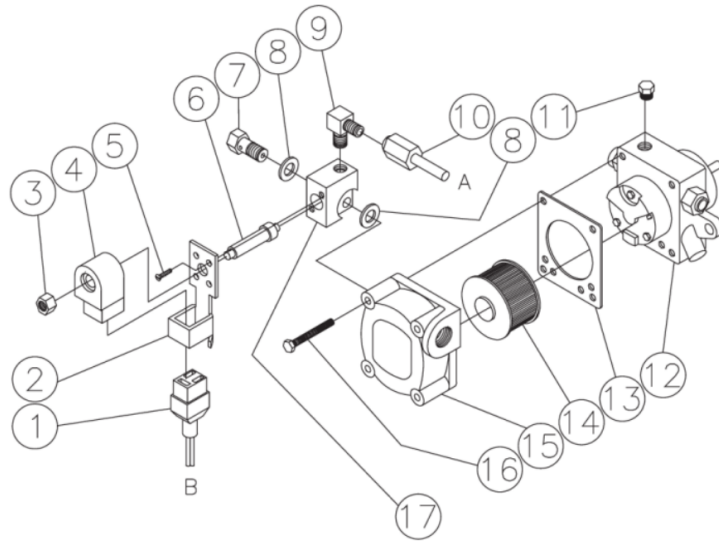
Id	Item #	Description	Quantity	Rev	Comments
1	44-0011	BURNER HEAD	1		
2	44-0108	MOUNTING GASKET	1		
3	44-0109	FLANGE	1		
4	26-0138	GASKET	1		
5	44-0110	AIR TUBE	1		
6	44-0113	NOZZLE LINE ASSEMBLY (INC. 7)	1		
7	44-0114	ELECTRODE KIT	1		
8	44-0033	BURNER HOUSING	1		
9	44-0031	ESCUTCHEON PLATE	1		
10	44-0026	FUEL LINE	1		
11	3-0236	FUEL PUMP	1		
12	46-1020	FUEL SOLENOID	1		
13	44-0122	CORD SET	1		
14	2-0068	MOTOR (4-0017)	1		
14	2-0067	MOTOR (4-0018)	1		
15	44-0071	BLOWER WHEEL	1		
16	44-0014	COUPLER	1		

<b>Id</b>	<b>Item #</b>	<b>Description</b>	<b>Quantity</b>	<b>Rev</b>	<b>Comments</b>
17	44-0017	IGNITION TRANSFORMER (4-0017)	1		
17	44-0015	IGNITION TRANSFORMER (4-0018)	1		
	4-0017	COMPLETE BURNER (INCLUDES 1-17)			
	4-0018	COMPLETE BURNER (INCLUDES 1-17)			



HHS-3004-0E9A / HHS-3004-0E9A (sn:0-99999999)

## FUEL PUMP/SOLENOID



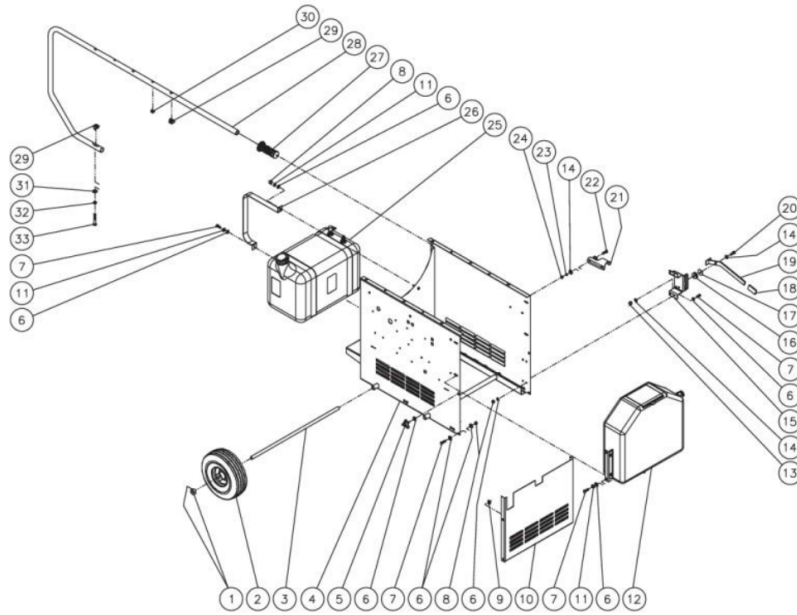
Id	Item #	Description	Quantity	Rev	Comments
1	46-1017	CORD-DIN CONNECTOR	1		
2	N/A Sep.	BASE PLATE (SEE 44-0038)	1		
3	46-1016	NUT-SOLENOID PISTON	1		
4	44-0002	SOLENOID COIL (120V)	1		

Id	Item #	Description	Quantity	Rev	Comments
5	N/A Sep.	SCREW (SEE 44-0038)	2		
6	46-1012	PISTON	1		
7	46-1009	BOLT	1		
8	26-0150	WASHER	2		
9	23-0083	ELBOW	1		
10	44-0025	FUEL LINE	1		
11	24-0082	PLUG	1		
12	N/A Sep.	FUEL PUMP BODY (SEE 3-0020)	1		
13	26-0109	COVER GASKET	1		
14	19-0034	FUEL PUMP STRAINER	1		
15	46-1005	FUEL PUMP COVER	1		
16	46-1006	SCREW	4		
17	N/A Sep.	SOLENOID BODY (SEE 44-0038)	1		
	44-0038	FUEL SOLENOID- 120V (INC. 1-8, 17)	1		
	3-0020	FUEL PUMP (INC. 11-16)	1		



HHS-3004-0E9A / HHS-3004-0E9A (sn:0-99999999)

## CHASSIS ASSEMBLY



Id	Item #	Description	Quantity	Rev	Comments
1	33-0351	RETAINING COLLAR W/SET SCREW	4		
2	14-0017	WHEEL W/MAG	4		
3	20-0524	AXLE	2		
4	5-0157A18	CHASSIS ASSEMBLY	1		

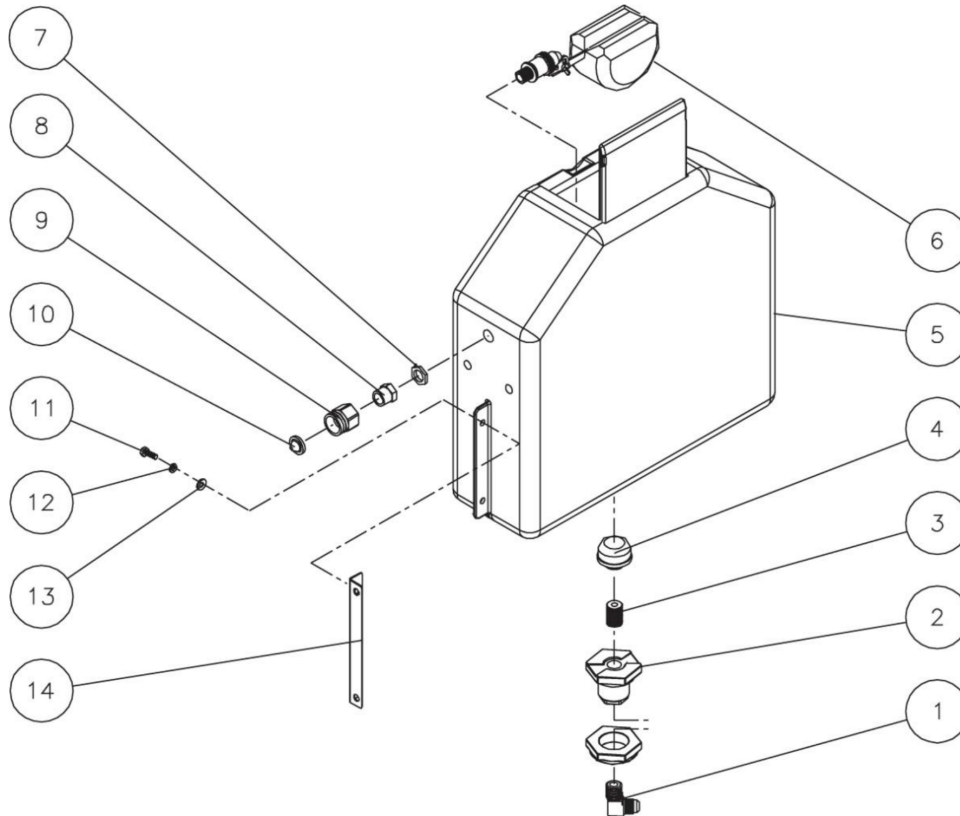
<b>Id</b>	<b>Item #</b>	<b>Description</b>	<b>Quantity</b>	<b>Rev</b>	<b>Comments</b>
5	7-0168	KNOB	2		
6	28-0002	FLATWASHER	22		
7	27-0015	BOLT	12		
8	30-0155	HEX NUT	4		
9	30-6026	CLIP NUT	2		
10	20-0525A18	ACCESS DOOR	1		
11	29-0006	LOCKWASHER	8		
12	N/A Sep.	FLOAT TANK ASSEMBLY (SEE EXPLODED DRAWING)	1		
13	30-0157	NUT	1		
14	28-0003	FLATWASHER	4		
15	20-0546A18	BRAKE	1		
16	28-0057	FLATWASHER	1		
17	33-0366	GROMMET	1		
18	7-0170	HANDLE GRIP	1		
19	20-0552A18	HANDLE BRAKE	1		
20	27-0068	BOLT	1		
21	20-0545A18	WAND HOLDER	1		
22	27-0418	BOLT	2		
23	29-0007	LOCKWASHER	2		
24	30-0005	NUT	2		
25	850-0303	FUEL TANK ASSEMBLY	1		
26	20-0598A18	FUEL TANK STRAP	2		
27	7-0167	HANDLE GRIP	2		
28	7-0166A18	HANDLE	2		
29	30-6025	CLIP NUT	8		
30	30-6027	CLIP NUT	4		
31	28-0023	WASHER	2		
32	29-0008	LOCKWASHER	2		
33	27-0121	BOLT	2		

\*MUST ORDER IN ONE FOOT LENGTHS



HHS-3004-0E9A / HHS-3004-0E9A (sn:0-99999999)

## FLOAT TANK



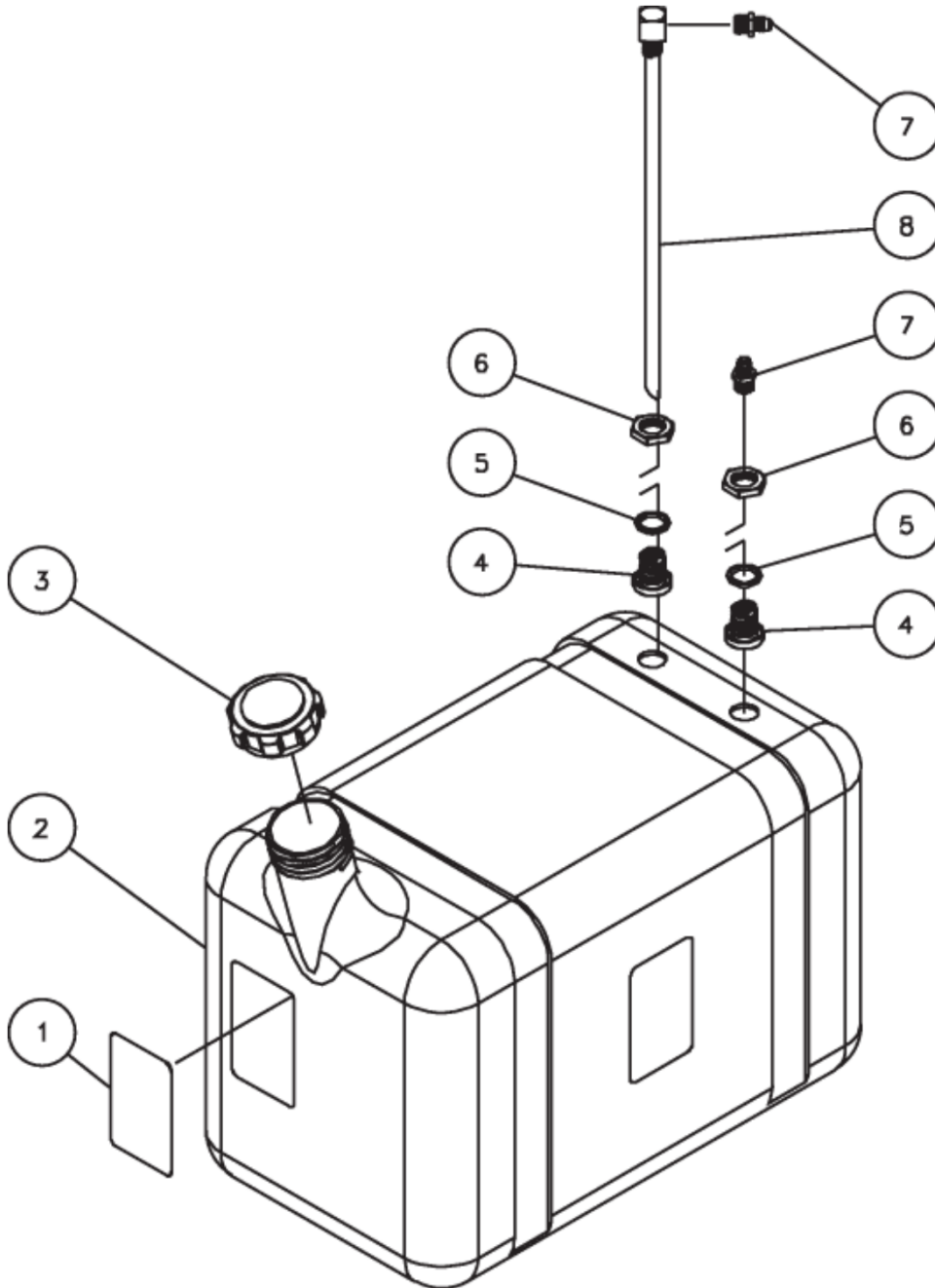
Id	Item #	Description	Quantity	Rev	Comments
1	23-0389	ELBOW	1		
2	55-0886	BULKHEAD	1		
3	23-0019	CLOSE NIPPLE (HHS-2004)	1		
3	23-0403	CLOSE NIPPLE (HHS-1003)	1		
3	23-0402	CLOSE NIPPLE (HHS-1002/303)	1		
3	23-0392	CLOSE NIPPLE (HHS-3004)	1		
4	19-0203	WATER TANK STRAINER	1		
5	12-0124	FLOAT TANK	1		
6	850-0238	FLOAT VALVE ASSEMBLY	1		
7	23-0138	LOCKNUT	1		
8	23-0016	BUSHING	1		
9	23-0001	GARDEN HOSE ADAPTER	1		

<b>Id</b>	<b>Item #</b>	<b>Description</b>	<b>Quantity</b>	<b>Rev</b>	<b>Comments</b>
10	19-0001	INLET STRAINER GASKET	1		
11	27-0015	BOLT	4		
12	29-0006	LOCKWASHER	4		
13	28-0002	FLATWASHER	4		
14	20-0599	FLOAT TANK BRACKET	2		



HHS-3004-0E9A / HHS-3004-0E9A (sn:0-99999999)

## FUEL TANK ASSEMBLY



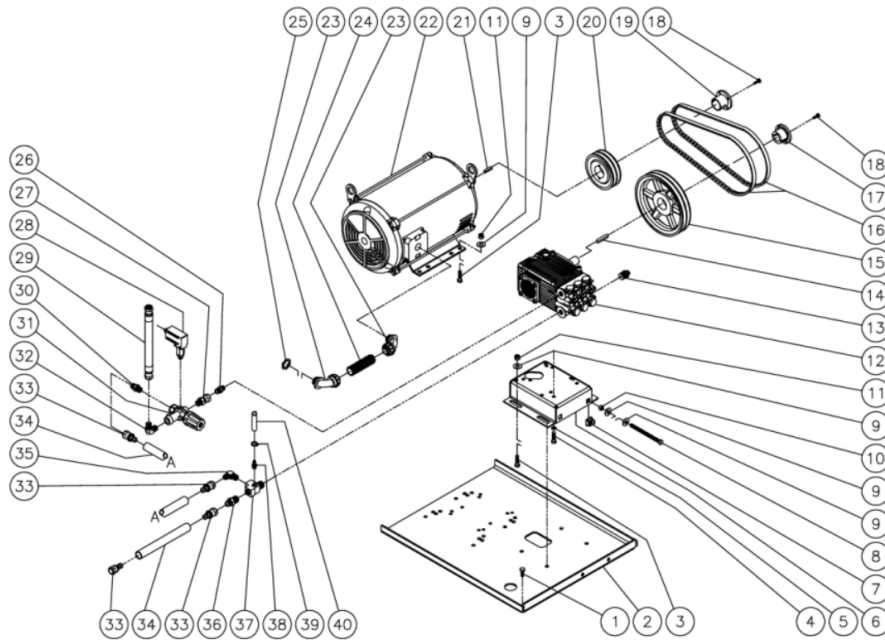
Id	Item #	Description	Quantity	Rev	Comments
1	34-1034	DECAL- CAUTION: RISK OF FIRE	1		
2	12-0126	FUEL TANK	1		
3	12-0033	VENTED FUEL CAP	1		

<b>Id</b>	<b>Item #</b>	<b>Description</b>	<b>Quantity</b>	<b>Rev</b>	<b>Comments</b>
4	23-0408	BULKHEAD FITTING	2		
5	25-0427	O-RING	2		
6	23-0409	NUT	2		
7	23-0247	FLARE FITTING	2		
8	33-0352	FUEL PICK-UP	1		



HHS-3004-0E9A / HHS-3004-0E9A (sn:0-99999999)

## MOTOR/PUMP ASSEMBLY



Id	Item #	Description	Quantity	Rev	Comments
1	27-0066	BOLT	1		
2	5-0152A18	BASEPLATE	1		
3	27-0118	BOLT	8		
4	27-8884	BOLT	4		

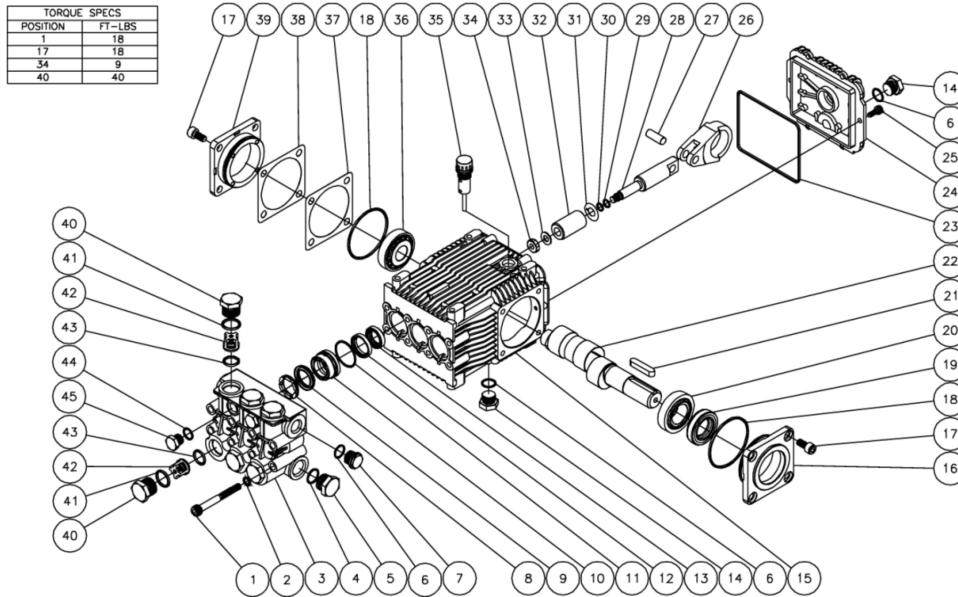
Id	Item #	Description	Quantity	Rev	Comments
5	29-0054	LOCKWASHER	4		
6	5-0154A18	PUMP HAT	1		
7	30-6025	CLIP NUT	2		
8	27-0133	BOLT	2		
9	28-0023	FLATWASHER	12		
10	30-0006	HEX NUT	2		
11	30-0159	NUT	8		
12	3-0211	PUMP W/KEY	1		
13	22-0005	HEAT DUMP VALVE	1		
14	46-0601	KEY	1		
15	10-0007	SHEAVE	1		
16	11-0008	BELT (HHS-2004)	2		
16	11-0007	BELT (HHS-3004)	2		
16	11-0005	BELT (HHS-3005)	2		
17	9-0017	BUSHING	1		
18	27-0015	BOLT W/BUSHING	4		
19	9-0010	BUSHING (HHS-2004)	1		
19	9-0008	BUSHING (HHS-3004/3005)	1		
20	10-0036	SHEAVE (HHS-2004)	1		
20	10-0065	SHEAVE (HHS-3004)	1		
20	10-0104	SHEAVE (HHS-3005)	1		
21	43-0078	KEY	1		
22	2-0107	MOTOR (HHS-2004-0E2A)	1		
22	2-0108	MOTOR (HHS-2004-0E3G/4A)	1		
22	2-01 09	MOTOR (HHS-3004-0E2A)	1		
22	2-0110	MOTOR (HHS-3004-0E3A/4A)	1		
22	2-0112	MOTOR (HHS-3005-0E3A/4A)	1		
22	2-0124	MOTOR (HHS-2004-0E8A)	1		
22	2-0125	MOTOR (HHS-3004-0E9A)	1		
22	2-0127	MOTOR (HHS-2004-0E9A)	1		
22	2-0129	MOTOR (HHS-3004-0E9A)	1		
22	2-0131	MOTOR (HHS-3005-0E9A)	1		
23	32-0487	CONDUIT ELBOW	2		
24	32-0486	CONDUIT *(THREE FEET REQUIRED)	1		
25	32-0292	LOCKNUT	1		
26	24-0002	NIPPLE	1		
27	24-0037	SWIVEL	1		
28	22-01 71	PRESSURE SWITCH	1		
29	15-0221	HIGH PRESSURE HOSE ASSEMBLY	1		

Id	Item #	Description	Quantity	Rev	Comments
30	23-0370	NIPPLE	1		
31	850-0252	UNLOADER ASSEMBLY	1		
32	24-0092	ELBOW	1		
33	23-0360	HOSE BARB	4		
34	15-0200	HOSE *(THREE FEET REQUIRED)	1		
35	23-0389	ELBOW	1		
36	23-0361	NIPPLE	1		
37	23-0388	STREET TEE	1		
38	23-0051	HOSE BARB	1		
39	42-0004	CLAMP	1		
40	15-0021	DETERGENT HOSE *(THREE FEET REQUIRED)	1		
		*MUST ORDER IN ONE FOOT LENGTHS.			



HHS-3004-0E9A / HHS-3004-0E9A (sn:0-99999999)

## PUMP ASSEMBLY



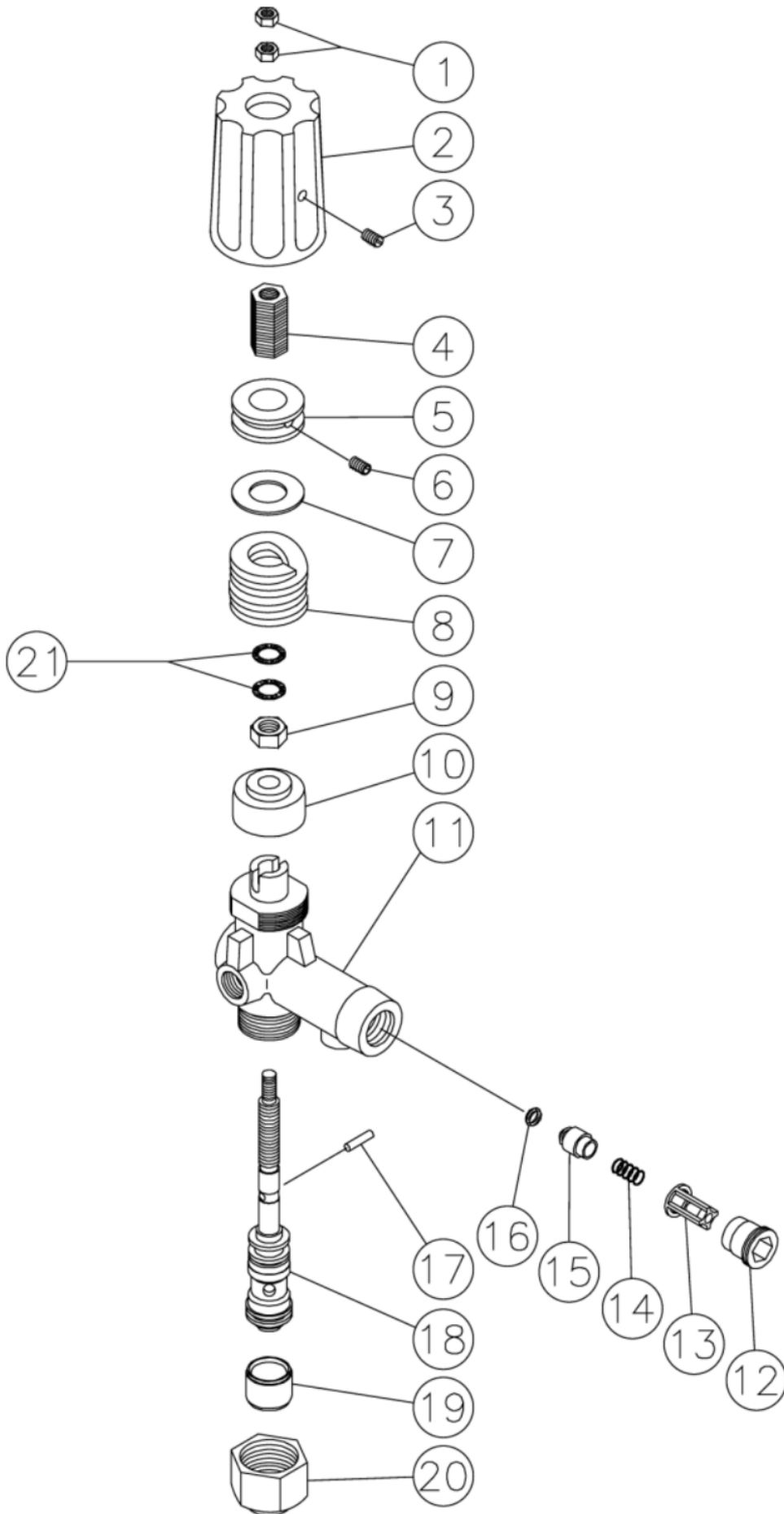
Id	Item #	Description	Quantity	Rev	Comments
1	27-8440	SCREW	8		
2	29-0154	LOCKWASHER	8		
3	46-0927	PUMP HEAD	1		
4	25-0372	O-RING	1		
5	39-0103	PLUG	1		
6	25-0510	O-RING	3		
7	39-0205	PLUG	1		
8	SEE KIT	SUPPORT RING (SEE 70-0323)	3		
9	SEE KIT	GASKET (SEE 70-0322)	3		
10	46-0929	PISTON GUIDE	3		
11	SEE KIT	O-RING (SEE 70-0322)	3		
12	SEE KIT	GASKET (SEE 70-0322)	3		
13	SEE KIT	SEAL (SEE 70-0321)	3		
14	39-0206	PLUG-OIL DRAIN	2		
15	46-0811	CRANKCASE	1		
16	46-0691	PUMP SHAFT COVER	1		
17	27-8884	SCREW	8		

Id	Item #	Description	Quantity	Rev	Comments
18	SEE KIT	O-RING (SEE 70-0321)	2		
19	SEE KIT	OIL SEAL (SEE 70-0321)	1		
20	48-0061	BEARING	1		
21	43-0091	KEY	1		
22	46-0933	CRANKSHAFT	1		
23	SEE KIT	O-RING (SEE 70-0321)	1		
24	46-0719	CRANKCASE COVER	1		
25	27-8401	SCREW	6		
26	46-0922	CONNECTING ROD	3		
27	46-0698	PISTON PIN	3		
28	46-0699	PLUNGER ROD	3		
29	25-0404	BACK-UP RING	3		
30	25-0382	O-RING	1		
31	46-0700	WASHER	3		
32	SEE KIT	PISTON (SEE 70-0320)	3		
33	26-0191	SEAL	3		
34	30-6020	NUT	3		
35	39-0090	OIL DIPSTICK	1		
36	48-0072	BEARING	1		
37	46-0936	PUMP SHIM (0.25MM)	1		
38	46-0705	PUMP SHIM (0.2MM)	1		
39	46-0703	BEARING CAP/ SUPPORT	1		
40	39-0105	VALVE CAP	6		
41	25-0160	O-RING	6		
42	SEE KIT	COMPLETE VALVE (SEE 70-0319)	6		
43	25-0386	O-RING	6		
44	25-0387	O-RING	2		
45	39-0207	PLUG	2		
KIT	70-0319	VALVE KIT (INC. 6 EACH OF 42)			
KIT	70-0320	PISTON KIT (INC. 3 EACH OF 32)			
KIT	70-0321	OIL SEAL KIT (INC. 4 EACH OF 13, 18-19, 23)			
KIT	70-0322	WATER SEALS KIT (INC. 3 EACH OF 9, 11, 12)			
KIT	70-0323	SUPPORT RING KIT (INC. 3 EACH OF 8)			



HHS-3004-0E9A / HHS-3004-0E9A (sn:0-99999999)

# UNLOADER ASSEMBLY

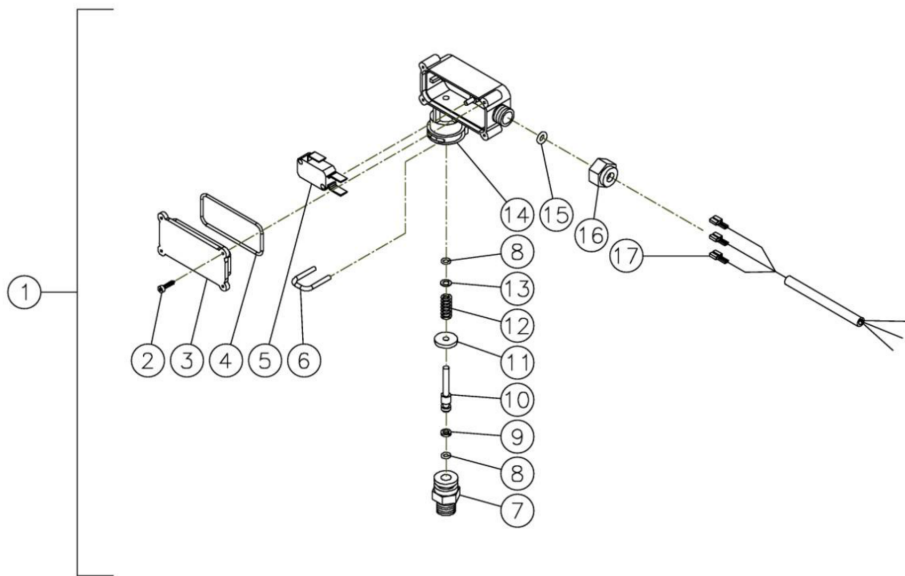


<b>Id</b>	<b>Item #</b>	<b>Description</b>	<b>Quantity</b>	<b>Rev</b>	<b>Comments</b>
1	8-0362	HEX NUT	2		
2	7-0098	COVER	1		
3	27-4280	SET SCREW	1		
4	8-0363	ADJUSTING INSERT- BRASS	1		
5	8-0364	ADJUSTMENT NUT	1		
6	8-0365	SET SCREW	1		
7	8-0366	GLIDE RING	1		
8	49-0104	SPRING	1		
9	8-0367	HEX NUT	1		
10	8-0368	BUSHING	1		
11	8-0369	UNLOADER BODY	1		
12	8-0269	RETAINER	1		
13	8-0104	VALVE HOUSING	1		
14	49-0023	SPRING	1		
15	8-0105	VALVE	1		
16	25-0036	O-RING	1		
17	8-0372	CYLINDER PIN	1		
18	70-0243	PISTON REPAIR KIT	1		
19	8-0371	SPACER	1		
20	8-0157	STOP NUT	1		
21	29-0154	WASHER	2		
	70-0244	CHECK VALVE REPAIR KIT (INCLUDES 13-16)			



HHS-3004-0E9A / HHS-3004-0E9A (sn:0-99999999)

## PRESSURE SWITCH



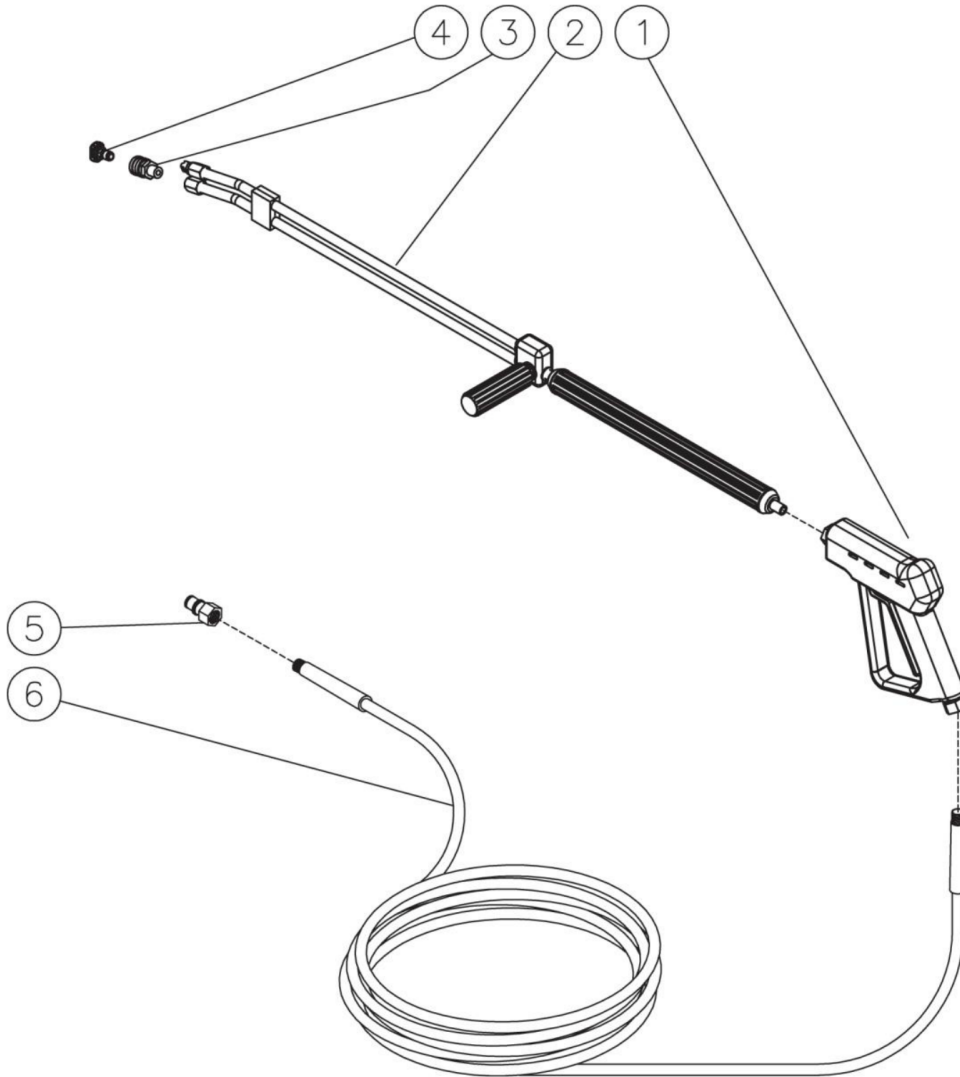
Id	Item #	Description	Quantity	Rev	Comments
1	22-0171	PRESSURE SWITCH	1		
2	N/A	SCREW	4		
3	N/A	COVER	1		
4	N/A Sep.	O-RING (SEE 70-0306)	1		
5	N/A	MICRO SWITCH	1		
6	N/A	RETAINER CLIP	1		
7	N/A	BODY	1		
8	N/A Sep.	O-RING (SEE 70-0306)	2		
9	N/A Sep.	BACK-UP RING (SEE 70-0306)	1		
10	N/A	PISTON	1		
11	N/A	WASHER	1		
12	49-0144	SPRING	1		
13	N/A	WASHER	1		
14	N/A	PLASTIC HOUSING	1		
15	N/A Sep.	O-RING (SEE 70-0306)	1		
16	N/A	NUT	1		

<b>Id</b>	<b>Item #</b>	<b>Description</b>	<b>Quantity</b>	<b>Rev</b>	<b>Comments</b>
17	N/A	WIRE ASSEMBLY	1		
	70-0306	O-RING REPAIR KIT (INC. 4, 8-9, 15)			



HHS-3004-0E9A / HHS-3004-0E9A (sn:0-99999999)

## GUN/WAND/HOSE ASSEMBLY



Id	Item #	Description	Quantity	Rev	Comments
1	27-0066	BOLT	1		
2	5-0152A18	BASEPLATE	1		
3	27-0118	BOLT	4		
4	27-8471	BOLT	4		
5	29-0055	LOCKWASHER	4		
6	28-0023	FLATWASHER	9		
7	5-0153A18	PUMP HAT	1		

Id	Item #	Description	Quantity	Rev	Comments
8	30-6025	CLIP NUT	2		
9	27-0133	BOLT	2		
10	30-0006	HEX NUT	2		
11	30-0159	NUT	4		
12	3-0005	PUMP W/KEY	1		
13	22-0005	HEAT DUMP VALVE	1		
14	43-0048	KEY	1		
15	10-0066	SHEAVE	1		
16	11-0023	BELT	1		
17	9-0017	BUSHING	1		
18	27-0015	BOLT W/BUSHING	2		
19	10-0111	SHEAVE	1		
20	27-0067	BOLT	4		
21	28-0003	FLATWASHER	4		
22	30-0157	NYLOCK	4		
23	43-0078	KEY	1		
24	2-0120	MOTOR ASSEMBLY	1		
25	32-0254	CONDUIT ELBOW	2		
26	32-0253	CONDUIT FLEX *(THREE FEET REQUIRED)`	2		
27	28-0051	FLATWASHER	2		
28	32-0108	LOCKNUT	1		
29	24-0002	NIPPLE	1		
30	24-0037	SWIVEL	1		
31	22-0171	PRESSURE SWITCH	1		
32	15-0221	HIGH PRESSURE HOSE ASSEMBLY	1		
33	23-0370	NIPPLE	1		
34	850-0252	UNLOADER ASSEMBLY	1		
35	24-0092	ELBOW	1		
36	23-0360	HOSE BARB	4		
37	15-0200	HOSE *(THREE FEET REQUIRED)	1		
38	23-0389	ELBOW	1		
39	23-0361	NIPPLE	1		
40	23-0388	STREET TEE	1		
41	23-0051	HOSE BARB	1		
42	42-0004	CLAMP	1		
43	15-0021	DETERGENT HOSE *(THREE FEET REQUIRED)	1		

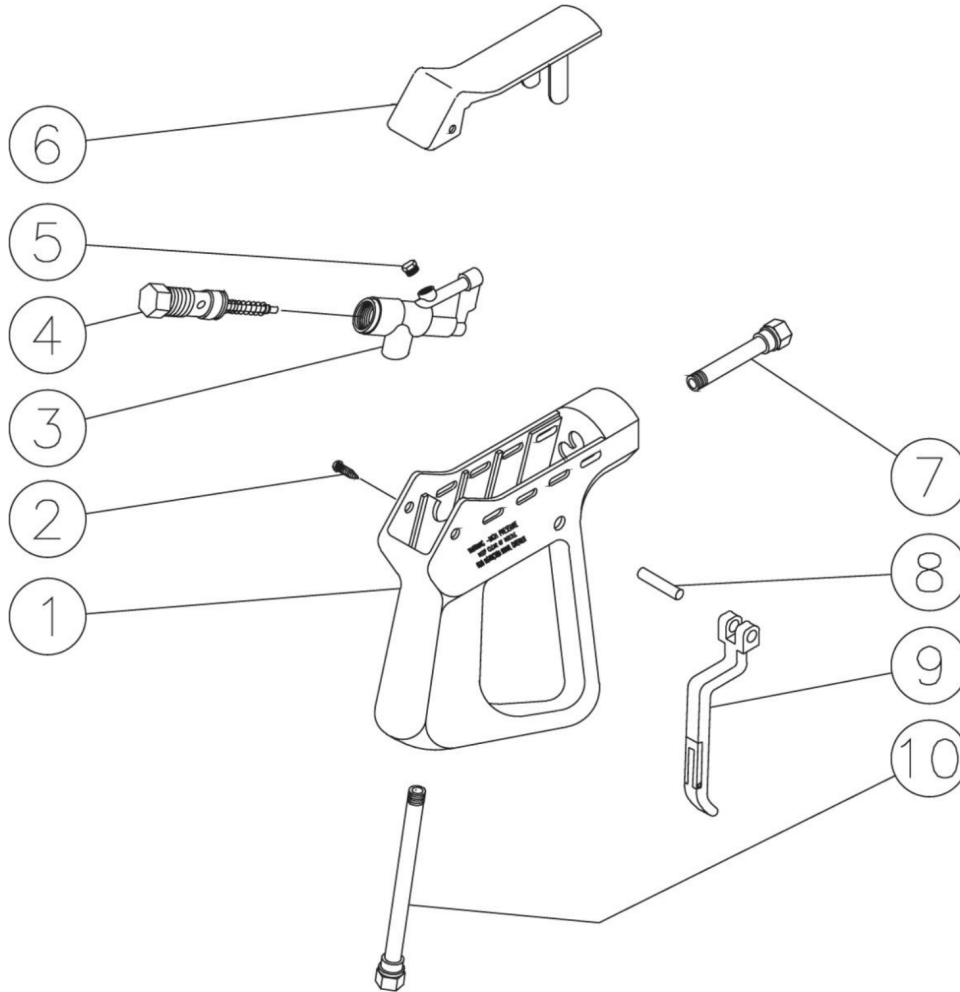
\*MUST ORDER IN ONE FOOT LENGTHS.





HHS-3004-0E9A / HHS-3004-0E9A (sn:0-99999999)

## GUN ASSEMBLY



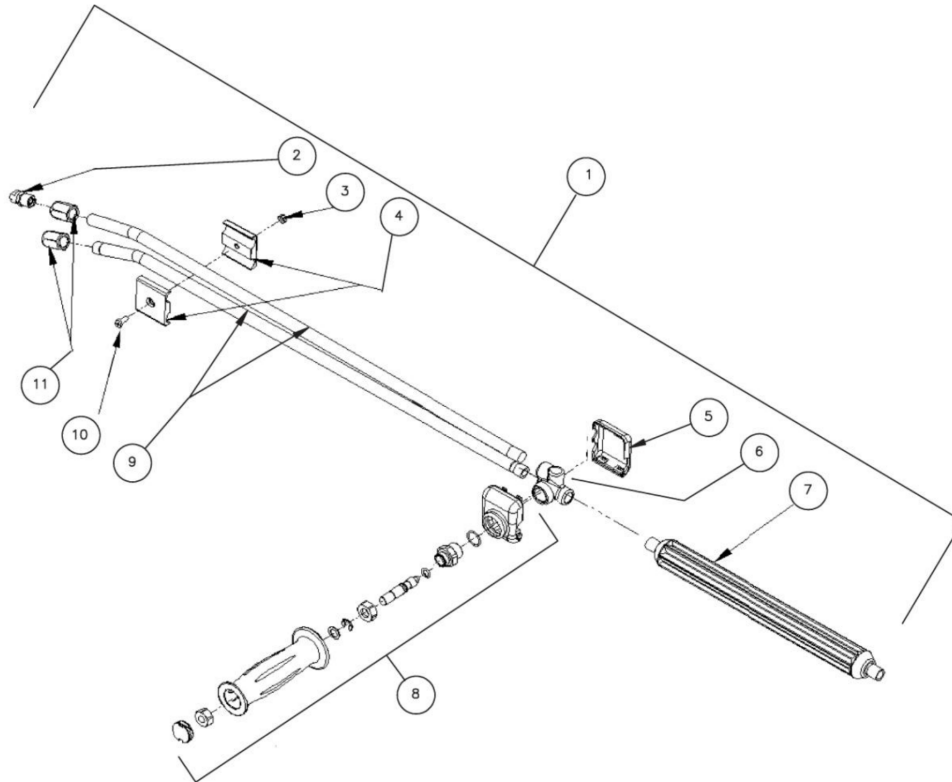
Id	Item #	Description	Quantity	Rev	Comments
1	16-0008	PLASTIC HOUSING	1		
2	27-3230	SCREW	2		
3	16-0012	BRASS HOUSING	1		
4	70-0055	GUN REPAIR KIT	1		
5	39-0024	BRASS PLUG	1		
6	16-0009	PLASTIC COVER	1		
7	16-0013	PIPE ASSEMBLY	1		
8	16-0063	TRIGGER PIN	1		
9	16-0010	TRIGGER/SAFETY LOCK-OFF	1		

<b>Id</b>	<b>Item #</b>	<b>Description</b>	<b>Quantity</b>	<b>Rev</b>	<b>Comments</b>
10	16-0016	PIPE ASSEMBLY- INLET	1		
	16-0001	COMPLETE GUN ASSEMBLY	1		



HHS-3004-0E9A / HHS-3004-0E9A (sn:0-99999999)

## DUAL LANCE ASSEMBLY



Id	Item #	Description	Quantity	Rev	Comments
1	16-0416	DUAL LANCE ASSEMBLY - 36" (INC. 2-11)	1		
1	16-0417	DUAL LANCE ASSEMBLY - 48" (INC. 2-11)	1		
2	18-0110	DETERGENT NOZZLE	1		
3	30-6001	NUT	1		
4	16-0420	CLAMP	2		
5	N/A Sep.	LOWER VALVE COVER (SEE 16-0416 OR 16-0417)	1		
6	N/A Sep.	HOUSING (SEE 16-0416 OR 16-0417)	1		
7	16-0419	LANCE	1		
8	70-0419	HANDLE REPAIR KIT	1		
9	N/A Sep.	LANCE (SEE 16-0416)	2		
9	N/A Sep.	LANCE (SEE 16-0417)	2		
10	27-8196	SCREW	1		

Id	Item #	Description	Quantity	Rev	Comments
11	24-0280	NOZZLE ADAPTER	2		