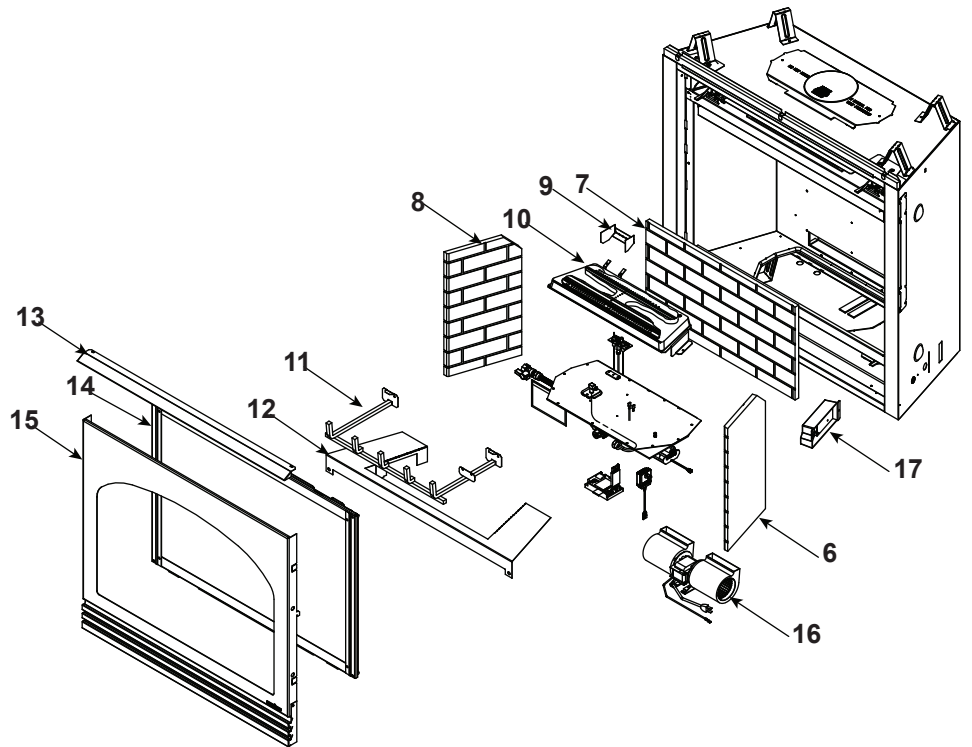
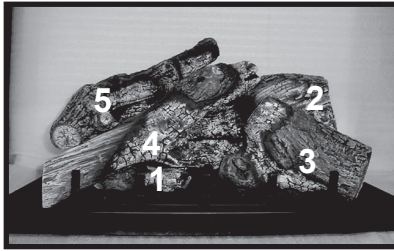


Log Set Assembly



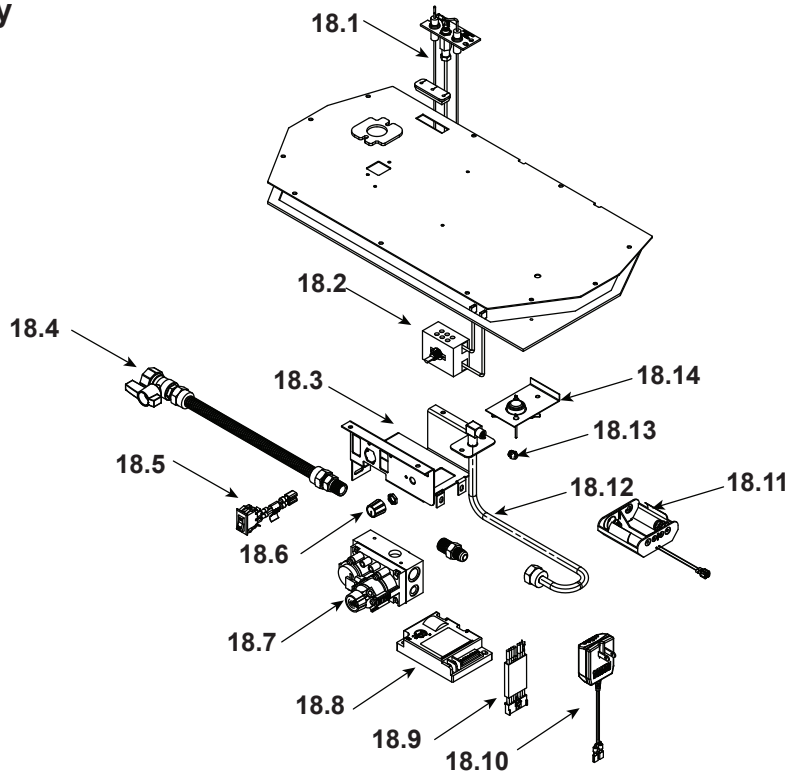
IMPORTANT: THIS IS DATED INFORMATION. Parts must be ordered from a dealer or distributor. **Hearth and Home Technologies does not sell directly to consumers.** Provide model number and serial number when requesting service parts from your dealer or distributor.



Stocked at Depot

ITEM	DESCRIPTION	CCOMMENTS	PART NUMBER	
	Log Set Assembly		LOGS-750TRS-D	
1	Log 1		SRV2066-704	
2	Log 2		SRV2066-703	
3	Log 3		SRV2066-702	
4	Log 4		SRV2066-705	
5	Log 5		SRV2065-701	
	Refractory Assembly		BRICK-750TRSFHH	
6	Right Rrefractory		SRV2156-712	
7	Back Refractory		SRV2156-711	
8	Left Refractory		SRV2156-710	
9	Pilot Shield		2066-121	
10	Burner NG		SRV2066-020	Y
	Burner LP		SRV2066-021	Y
11	Grate Assembly		2066-036	
12	Base Pan		2066-100	
13	Hood		2118-230	
14	Glass Door Assembly		GLA-750TRS	Y
15	Door Assembly		DF-750TRSFHH	
16	Fan Kit		GFK-160A	
17	Junction Box		SRV4021-013	Y

#18 Valve Assembly



IMPORTANT: THIS IS DATED INFORMATION. Parts must be ordered from a dealer or distributor. **Hearth and Home Technologies does not sell directly to consumers.** Provide model number and serial number when requesting service parts from your dealer or distributor.



Stocked
at Depot

ITEM	DESCRIPTION	COMMENTS	PART NUMBER	
18.1	Pilot Assembly NG		SRV2090-012	Y
	Pilot Assembly LP		2090-013	Y
	Pilot Tube		SRV446-301	Y
18.2	Rheostat Assembly		100-510A	Y
18.3	Valve Bracket		2118-104	
18.4	Flex Ball Valve Assembly		SRV302-320	Y
18.5	On/Off Rocker Switch		060-521A	Y
18.6	Rheostat Knob		SRV100-512	Y
18.7	Valve NG		750-500	Y
	Valve LP		750-501	Y
18.8	Module		593-592	Y
18.9	Module Wire Assembly		SRV593-590	Y
18.10	3 Volt Transformer		SRV593-593	Y
18.11	Battery Pack		SRV593-594	Y
18.12	Flexible Gas Connector		530-302A	Y
18.13	Orifice NG (#37)		582-837	Y
	Orifice LP (#52)		SRV582-852	Y
18.14	High Temp Limit Switch		SRV046-018A	Y

Additional service part numbers appear on following page.



Service Parts

SL-750TRSFHHIPI

No one builds a better fire

Beginning Manufacturing Date: Oct 2007
Ending Manufacturing Date: June 2009

IMPORTANT: THIS IS DATED INFORMATION. Parts must be ordered from a dealer or distributor. Hearth and Home Technologies does not sell directly to consumers. Provide model number and serial number when requesting service parts from your dealer or distributor.



Stocked at Depot

Table with columns: ITEM, DESCRIPTION, CCOMMENTS, PART NUMBER, Stocked at Depot. Rows include: 20" Female Wire Harness, 20" Male/Female Wire Harness, Exhaust Restrictor, Gasket Assembly, Glass Latch Assembly, Mineral Wool, Non-combustible Board, Remote Thermostat, Touch Up Paint, Vermiculite Embers, Conversion Kit NG, Conversion Kit LP, Pilot Orifice NG, Pilot Orifice LP, Regulator NG, Regulator LP.