

OPERATING INSTRUCTIONS AND PARTS LIST
INSTRUCTIONS D'UTILISATION ET LISTE DE PIÈCES
INSTRUCCIONES DE OPERACIÓN Y LISTA DE PIEZAS



Paver Mate

MODEL: PM-15HT



17400 W. 119th Street
Olathe, Kansas 66061

Customer Service 800-365-4003
Corporate Office 913-928-1000
Cust. Service Fax 800-825-0028
Corporate Office Fax .. 913-438-7951

0AF04091
Copyright © March, 2002 Diamant Boart, Inc.
Printed in U.S.A.



EVERY MACHINE IS THOROUGHLY TESTED BEFORE LEAVING THE FACTORY. EACH MACHINE IS SUPPLIED WITH A COPY OF THIS MANUAL. OPERATORS OF THIS EQUIPMENT MUST READ AND BE FAMILIAR WITH THE SAFETY WARNINGS. FAILURE TO OBEY WARNINGS MAY RESULT IN INJURY OR DEATH. FOLLOW INSTRUCTIONS STRICTLY TO ENSURE LONG SERVICE IN NORMAL OPERATION.

CONTENTS

Symbol Definitions	5 - 7
Decal Descriptions and Locations	8 - 9
Dimensions	9
Specifications	10
Safety Warnings - DOs & DO NOTs	12 - 13
Reference Figure	14
Pre Operation Checklist	15
Scheduled Maintenance	15
Instructions:	
1. Features	16
2. Benefits	16
3. Machine Set-Up Procedures	16 - 17
4. Operating Procedures	17 - 18
5. Adjustable Lockbar with Depth Limiting Protection	18
6. Manual Thermal Overload	18
7. Extension Cords	18 - 19
8. Alignment Procedures	19 - 20
9. Profile Wheel Set-Up	20
10. Maintenance	20
11. Water Pump, Trouble Shooting Procedure	21
12. Repairs	21
13. Spare Parts	21
14. Accessories	22
Diagrams and Spare Parts	48 - 49
Wiring Diagrams	50
Warranty	51



CHAQUE MACHINE A ÉTÉ ENTIÈREMENT TESTÉE AVANT DE QUITTER L'USINE. CHAQUE MACHINE EST FOURNIE AVEC UN EXEMPLAIRE DE CE MANUEL. LES OPÉRATEURS DE CE MATÉRIEL DOIVENT LIRE LES CONSIGNES DE SÉCURITÉ ET BIEN LES CONNAÎTRE. L'INOBSERVATION DE CES CONSIGNES PEUT PROVOQUER DES BLESSURES OU LA MORT. SUIVRE STRICTEMENT LES INSTRUCTIONS POUR OBTENIR UNE LONGUE DURÉE DE SERVICE EN UTILISATION NORMALE.

TABLE DES MATIÈRES

Symboles	5 - 7
Autocollants – descriptions et emplacements	8 - 9
Dimensions	9
Caractéristiques	10
Mises en garde de sécurité - FAIRE, NE PAS FAIRE	24 - 25
Figures de référence.	26
Liste de vérifications avant l'utilisation.....	27
Programme d'entretien.....	27
Instructions:	
1. Caractéristiques	28
2. Avantages	28
3. Mise en place de la machine	28 - 30
4. Procédures d'utilisation	30
5. Barre de blocage réglable avec protection d'articulation de profondeur	30 - 31
6. Dispositif manuel de protection contre les surcharges thermiques	31
7. Rallonges de cordon	31
8. Procédures d'alignement	31 - 32
9. Montage de la roue à profiler	32
10. Entretien	32
11. Pompe à eau, procédure de dépannage	33
12. Réparations	33
13. Pièces de rechange	33
14. Accessoires	34
Diagrammes et pièces de rechange	48 - 49
Diagrammes des circuits électriques	50
Garantie	51



ANTES DE SALIR DE NUESTRA FÁBRICA, CADA MÁQUINA ES SOMETIDA A PUREBAS DETENIDAS. CADA MÁQUINA DE CORTE ES ENTREGADA CON UNA COPIA DE ESTE MANUAL. LOS OPERARIOS DE ESTOS EQUIPOS DEBEN LEER Y FAMILIARIZARSE CON LAS INSTRUCCIONES DE SEGURIDAD. EL NO PRESTAR ATENCIÓN A ESTAS ADVERTENCIAS PUEDE OCASIONAR GRAVES LESIONES. SIGA ESTRICAMENTE NUESTRAS INSTRUCCIONES Y SU MÁQUINA LE VA A PRESTAR LARGOS AÑOS DE SERVICIO EN CONDICIONES NORMALES DE UTILIZACIÓN.

CONTENIDO

Definición De Los Símbolos	5 - 7
Descripción De Calcomanías Y Ubicaciones	8 - 9
Dimensiones	9
Especificaciones	35
Advertencias De Seguridad HACER & NO HACER	36 - 37
Figuras De Referencia	38
Lista De Revisiones Previas A La Operación	39
Mantenimiento Programado - Referencia Rápida	39
Instrucciones:	
1. Característica	40
2. Beneficio	40
3. Instalación De La Cortadora	40 - 42
4. Instrucciones De Operación	42
5. Barra Ajustable Para Protección De La Profundidad De Corte	43
6. Protector Térmico - Rearmado Manual	43
7. Cables De Extensión	43
8. Procedimientos De Alineación	43 - 44
9. Armado y Uso de la Rueda Perfiladora	44
10. Instrucciones De Mantenimiento	44 - 45
11. En Caso De Problemas Con La Bomba De Agua	45
12. Reparaciones	45
13. Piezas De Recambio	45
14. Accesorios	46
Diagrama y Piezas De Recambio	48 - 49
Diagrama De Cablado Eléctrico	50
Garantía	51

Symbol Definitions

Definición De Los Simbolos



- Please read the instructions for use prior to operating the machine for the first time.
- Avant toute mise en service, lire attentivement la notice et se familiariser avec la machine.
- Antes de la puesta en marcha, lea detenidamente las instrucciones y familiarícese con la máquina.



- Mandatory
- Obligatoire
- Obligatorio



- Indication
- Obligatoire
- Indicación



- Prohibition
- Interdiction
- Prohibición



- Warning Triangle
- Triangle d'avertissement
- Triángulo De Advertencia



- Wear Eye Protection
- Port obligatoire des lunettes de protection
- Usar Gafas De Protección



- Wear Head Protection
- Port Obligatoire Du Casque Et Des Écouteurs
- Usar Casco De Protección



- Wear Breathing Protection
- Port obligatoire d'un masque respiratoire protecteur
- Usar Máscara De Protección



- The Use Of Ear Protection Is Mandatory
- Port obligatoire da casque antibruit
- Es Obligatorio El Uso De Protección Auditiva



- Wear a Hard Hat
- Port Obligatoire Da Casque Antibruit
- Usar Casco Duro



- Wear Safety Shoes
- Port obligatoire des chaussures de sécurité
- Usar Zapatos De Seguridad



- Wear Appropriate Clothing
- Port obligatoire de la tenue appropriée
- Usar Ropa Adecuada



- Remove The Blade Prior To Hoisting, Loading, Unloading And Transporting The Machine On Jobsite.
- Démontage Obligatoire Du Disque En Cas D'élingage, De Chargement, De Déchargement Et De Transport Sur Le Chantier.
- Desmontar El Disco Antes De Desplazar, Cargar, Descargar O Transportar La Máquina En La Obra.



- Motor Off
- Arrêt Du Moteur
- Parar El Motor



- Use In Well Ventilated Area
- A Utiliser Dans Un Endroit Bien Ventilé
- Usar En Una Área Bien Ventilada



- Do Not Use In Flammable Areas
- Ne Pas Utiliser Dans Des Ambiances Comportant Un Risque D'incendie
- No Usar In Áreas Inflamables



- Machinery Hazard, Keep Hands And Feet Clear.
- Danger! Rester À Distance De La Machine
- Máquina Peligrosa - Mantenga Manos Y Pies Alejados De La Máquina



- No Non-working Personnel In Area
- Zone Interdite Au Personnel Non-Ouvrier
- Prohibido Para Personas Ajenas A La Obra



- No Smoking
- Défense De Fumer
- No Fumar



- Do Not Operate Without All Guards In Place
- Ne Pas Utiliser Avant D'avoir Installé Toutes Les Protections
- No Operar Sin Todas Las Protecciones In Su Sitio



- Always Keep the Blade Guards In Place
- Toujours Vérifier Que Les Protections De Disque Sont Bien En Place
- Mantenga Siempre Las Protecciones De La Hoja En Su Sitio



- Keep Work Area Clean/Well Lit, Remove All Safety Hazards
- La Zone De Travail Doit Toujours Être Propre, Bien Éclairée Et Ne Présenter Aucun Risque
- Mantenga Limpio El Sitio De Trabajo/Bien Iluminado, Elimine Todos Los Riesgos De Seguridad



- Dangerously High Noise Level
- Niveau De Bruit Dangereux
- Nivel De Ruido Elevadamente Peligroso



- Pay Extreme Attention To The Care And Protection Of The Machine Before Starting Up
- Accorder Une Très Grande Attention À La Sécurité Et À La Préparation De La Machine Avant De Commencer À Travailler
- Ponga Extrema Atención Al Cuidado Y Preparación De La Máquina Antes De Ponerla En Marcha



- Remove Tools From Area and Machine
- Enlever Les Outils De La Zone De Travail Et De La Machine
- Elimine Las Herramientas Del Área Y De La Máquina



- Electrical Switch - OFF
- Interrupteur électrique-arrêt
- Conmutador De Apagado Eléctrico



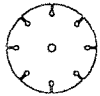
- Electrical Switch - ON
- Interrupteur électrique-marche
- Conmutador De Encendido Eléctrico



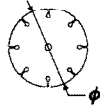
- Electrical Switch - Start
- Interrupteur électrique-démarrage
- Conmutador De Arranque Eléctrico



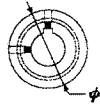
- Repairs Are To Be Done By An Authorized Dealer Only
- Les réparations ne peuvent être exécutées que par un distributeur agréé
- Las Reparaciones Deben Ser Efectuadas Únicamente Por Un Distribuidor Autorizado



- Diamond Blade
- Disque diamanté
- Sierra Diamantada



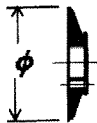
- Blade Diameter
- Diamètre De Disque
- Diámetro De La Hoja



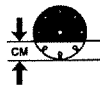
- Pulley Diameter
- Diamètre De Poulie
- Diámetro De La Correa



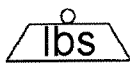
- Number of Revolutions Per Minute, Rotational Speed
- Nombre De Tours/Minutes, Vitesse De Rotation
- N° De Revoluciones Por Minuto, Velocidad De Rotación



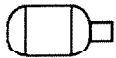
- Blade Flange Diameter
- Diamètre Du Flaque De Disque
- Diámetro De La Brida De La Hoja



- Blade Cutting Depth
- Profondeur De Coupe Du Disque
- Profundidad De Corte De La Hoja



- Machine Mass (lbs)
- Poids De La Machine (en lbs)
- Masa De La Máquina (lbs)



- Electric Motor
- Moteur Électrique
- Motor electrico

WARNING

HEARING HAZARD

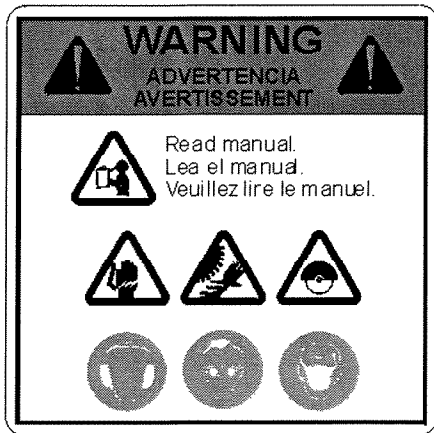
DURING NORMAL USE OF THIS MACHINE, OPERATOR MAY BE EXPOSED TO A NOISE LEVEL EQUAL OR SUPERIOR TO **85 dB (A)**

ATENCION

RIESGO DE DAÑO AUDITIVO

EN CONDICIONES NORMALES DE UTILIZACIÓN, EL OPERADOR DE ESTA MÁQUINA PUEDE ESTAR EXPUESTO A UN NIVEL DE RUIDO IGUAL O SUPERIOR A **85 dB (A)**

DECAL DESCRIPTIONS & LOCATION AUTOCOLLANTS – DESCRIPTION ET EMPLACEMENTS DESCRIPCIÓN DE CALCAMONIAS Y UBICACIONES



P/N 187043
Location: Top of Belt Guard



P/N 046326
Location: Motor Assembly



P/N 189112
Location: Front of Water Pan

PAVERMATE

P/N 169784
Locations: Side of Belt Guard & Blade Guard

DECAL DESCRIPTIONS & LOCATION AUTOCOLLANTS – DESCRIPTION ET EMPLACEMENTS DESCRIPCIÓN DE CALCAMONIAS Y UBICACIONES

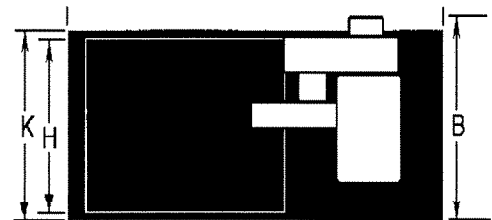
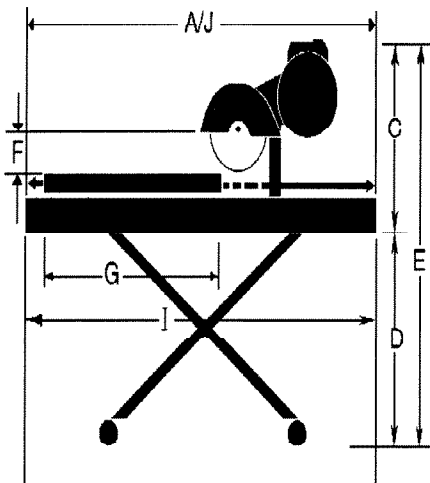


P/N 189025 - Outer P/N 189026 - Inner
Location: Blade Guard



P/N 189027
Location: Belt Guard

SAW DIMENSIONS



<u>ITEM</u>	<u>DESCRIPTION</u>	<u>inch</u>	<u>cm</u>
A	Saw Length	33-1/4	84.5
B	Saw Width	21-1/2	54.6
C	Saw Height	21-1/2	54.6
D	Stand Height	29	73.7
E	Total Height	49-1/2	125.7
F	Arbor to Top of Cart (Max)	8-1/2	21.6
G	Cart Length	10-1/4	26
H	Cart Width	16	40.6
I	Cart Travel	18-3/8	46.7
J	Tray Length	30-1/2	77.5
K	Tray Width	19-3/4	50.2
Crated Dimensions: (L x H x W)		39-1/2 x 24-1/2 x 19-1/2	(100.3 x 62.2 x 49.5)

SPECIFICATIONS

MODEL NO: PM-15HT

Horsepower: 1-1/2

STANDARD SAW FEATURES

Bladeshaft RPM:	2800
Blade Guard Capacity:	10" (254 mm)
Max. Depth Of Cut:	3-3/4" (95 mm)
Arbor Size:	5/8" (15.9 mm)
Maximum Material Size:	Make 14" diagonal cuts on 10" x 10" (254 x 254 mm) tile
Cut/Size Type:	2-3/4" (69.9mm) with 8" (203mm) Blade 3-3/4" (95.3mm) with 10" (254mm) Blade
Blade Rotation:	Counter-Clockwise (CCW)
Blade Shaft Drive:	Premium Poly-V J6 Belts
Cutting Head:	Cast aluminum pivoting head with self-lubricating polymer bearings, can be preset, locked or fully adjusted to varying heights.
Plunge Cutting:	Pivoting Head, Torsion Spring and rubber gripped Handle allow easy plunge cuts.
Blade Coolant:	Water
Cutting Table:	Cast aluminum with neoprene top rides on durable, steel bearing conveyor wheels Dimensions: 16" x 10-1/4" (406.4 x 260.4 mm)
Wet Cutting System:	High density, epoxy coated water pump, lifetime lubricant
Spec.	115V, 60 Hz., 1-phase, 0.5 amps
Output:	100 gal/hr. (378 l /hr.)
Water Tray:	ABS Plastic, ribbed.
Water Tray Capacity:	5 gallons (19 liters)
Weight Uncrated: lb (Kg)	92 (41.8)
<u>Add for: lbs. (Kg) Optional Items</u>	
Folding Stand:	25 (11.3)

POWER SOURCE

MOTOR:	Baldor High Torque Electric Motor
VOLTAGE:	115
HORSEPOWER:	1-1/2
HERTZ:	60
PHASE:	1
FULL LOAD AMPS:	14.4

Specifications are subject to change without notice.

NOTES:

SAFETY FIRST!



WARNING: FAILURE TO COMPLY WITH THESE WARNINGS AND OPERATING INSTRUCTIONS COULD RESULT IN DEATH OR SERIOUS BODILY INJURY.

DO

- DO read this entire operator's manual before operating this machine. Understand all warnings, instructions, and controls.
- DO keep all guards in place and in good condition.
- DO wear safety approved hearing, eye, head and respiratory protection.
- DO read and understand all warnings and instructions on the machine.
- DO read and understand the symbol definitions contained in this manual.
- DO keep all parts of your body away from the blade and all other moving parts.
- DO know how to stop the machine quickly in case of emergency.
- DO turn the "ON/OFF" switch to the "OFF" position prior to connecting the machine to the power source.
- DO inspect the blade, flanges and shafts for damage before installing the blade.
- DO use the blade flange size shown for each blade size.
- DO use only the blade flanges supplied with the saw. Never use damaged or worn blade flanges.
- DO use only blades marked with a maximum operating speed greater than the blade shaft speed. Verify speed by checking blade shaft rpm and pulley diameters and blade flange diameters.
- DO verify saw drive configuration by checking blade shaft RPM, pulley diameters, and blade flange diameter.
- DO read all safety materials and instructions that accompany any blade used with this machine.
- DO inspect each blade carefully before using it. If there are any signs of damage or unusual wear, **DO NOT USE THE BLADE.**
- DO mount the blade solidly and firmly. Wrench tighten the arbor nut.
- DO make sure the blade and flanges are clean and free of dirt and debris before mounting the blade on the saw.
- DO use the correct blade for the type of work being done. Check with blade manufacturer if you do not know if blade is correct.
- DO use caution and follow the instructions when loading and unloading the machine.
- DO operate this machine only in well ventilated areas.
- DO instruct bystanders on where to stand while the machine is in operation.
- DO establish a training program for all operators of this machine.
- DO clear the work area of unnecessary people. Never allow anyone to stand in front of or behind the blade while the motor is running.
- DO make sure the blade is not contacting anything before starting the motor.
- DO use caution when lifting and transporting this machine.
- DO always tie down the machine when transporting.
- DO use caution and follow instructions when setting up or transporting the machine.
- DO have all service performed by competent service personnel.
- DO make sure electric powered machines are plugged into a properly grounded circuit.
- DO make sure power cords are the proper size and in good condition.
- DO maintain a secure grip on the material being cut.
- DO clean the water tray frequently.
- DO verify the blade arbor hole matches the machine spindle before mounting the blade.
- DO clean the machine after each day's use.
- DO follow all electrical codes in your area.
- DO consider work area environment. Don't expose power tools to rain. Don't use power tools in wet locations.
- DO use caution to guard against electric shock. Prevent body contact with grounded surfaces (i.e., pipes, radiators, ranges, refrigerators).
- DO use correct voltage and proper extension cords. Never carry tool by cord or yank it to disconnect it from receptacle. Keep cord away from heat, oil and sharp edges.
- DO always carry the machine with the motor stopped.
- DO disconnect tools from power source when not in use, before servicing and when changing accessories.
- DO carefully maintain and clean for better and safer performance. Follow instructions for changing accessories. Inspect tool cords periodically and, if damaged, have repaired by authorized service facility.
- DO only cut in a straight line.
- DO only saw as deep as the job specifications require.
- DO always give a copy of this manual to the equipment user. If you need extra copies, call TOLL FREE 1-800-365-4003.

SAFETY FIRST!



WARNING: FAILURE TO COMPLY WITH THESE WARNINGS AND OPERATING INSTRUCTIONS COULD RESULT IN DEATH OR SERIOUS BODILY INJURY.

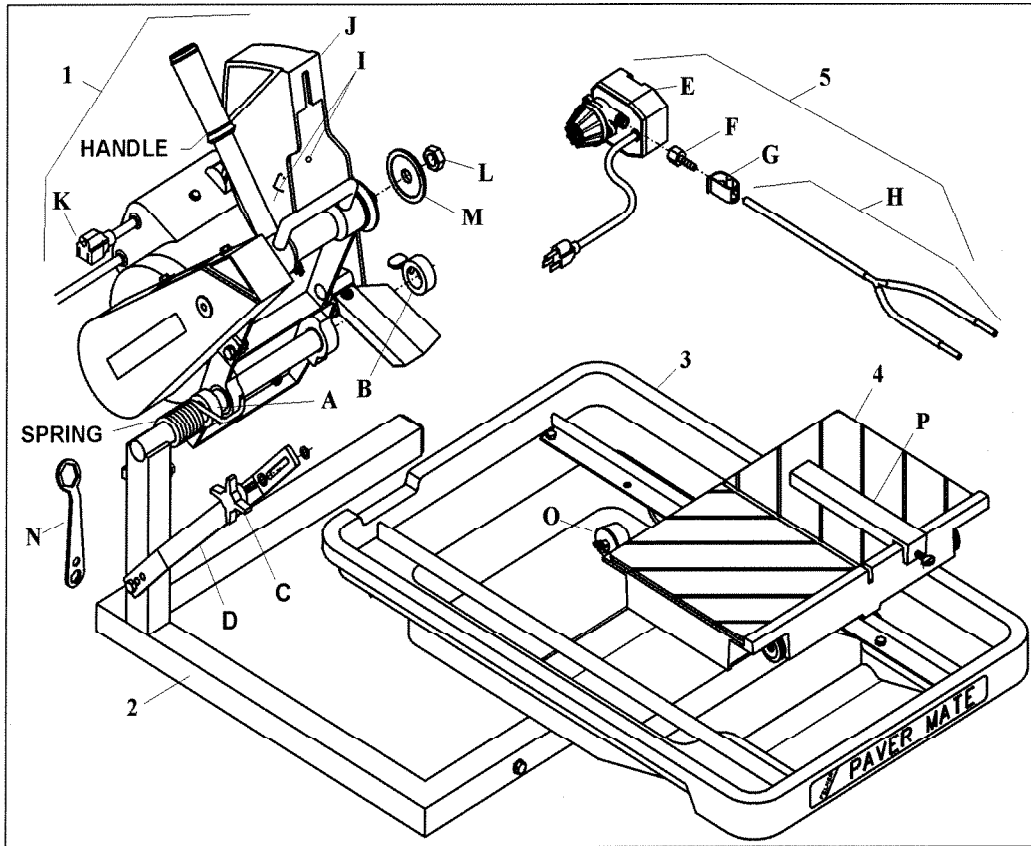
DO NOT

- DO NOT operate this machine unless you have read and understood this operator's manual.
- DO NOT operate this machine without the blade guard, or other protective guards in place.
- DO NOT stand behind or in front of the blade path while the motor is running.
- DO NOT leave this machine unattended while the motor is running.
- DO NOT operate this machine when you are tired or fatigued.
- DO NOT use a wet blade without adequate water supply to the blade.
- DO NOT exceed maximum blade speed shown for each blade size. Excessive speed could result in blade breakage.
- DO NOT operate the machine if you are uncertain of how to run the machine.
- DO NOT use damaged equipment or blades.
- DO NOT touch or try to stop a moving blade with your hand.
- DO NOT cock, jam, wedge or twist the blade in a cut.
- DO NOT transport a cutting machine with the blade mounted on the machine.
- DO NOT use a blade that has been dropped or damaged
- DO NOT use carbide tipped blades.
- DO NOT use abrasive blades.
- DO NOT use conventional abrasive blades with water.
- DO NOT touch a dry cutting diamond blade immediately after use. These blades require several minutes to cool after each cut.
- DO NOT use damaged or worn blade flanges.
- DO NOT allow other persons to be near the machine when starting or when the machine is in operation.
- DO NOT operate this machine in an enclosed area unless it is properly vented.
- DO NOT operate this machine in the vicinity of anything that is flammable. Sparks could cause a fire or an explosion.
- DO NOT allow blade exposure from the guard to be more than 180 degrees.
- DO NOT operate this machine with the belt guard or blade guard removed.
- DO NOT operate this machine unless you are specifically trained to do so.
- DO NOT use a blade that has been over heated (Core has a bluish color).
- DO NOT jam material into the blade.
- DO NOT grind on the side of the blade.
- DO NOT lay power cords in or near the water.
- DO NOT replace the motor with any motor that does not have a special grounding connection.
- DO NOT cut deeper than 1" per pass with a dry blade. Step out to achieve deeper cuts.
- DO NOT start cutting with a saw until you have a clear work area and secure footing.
- DO NOT operate this machine while using drugs or alcohol.

This saw was designed for certain applications only. DO NOT modify this saw or use for any application other than for which is it was designed. If you have any questions relative to its application, DO NOT use the saw until you have written Diamant Boart, Inc. and we have advised you.

Diamant Boart, Inc.
17400 West 119th Street
Olathe, Kansas 66061
In USA: 1-800-365-4003

FIGURE 1



- | | |
|---|---|
| <ul style="list-style-type: none"> A. Set Collar (Inner) B. Set Collar w/ Thumb Screw C. Locking Knob D. Lockbar E. Water Pump F. Hose Barb G. Water Valve H. Water Tube Assembly I. Water Tube Ports J. Blade Guard K. Electrical Receptacle L. Blade Shaft Nut M. Outer Blade Flange N. Wrench O. Drain Plug P. Rip Guide | <ul style="list-style-type: none"> 1. Pivot Cutting Head Assembly: Includes water tube assembly (H) installed. 2. Frame Assembly 3. Water Pan Assembly 4. Conveyor Cart Assembly Carton {Cart Assembly (4) and Rip Guide (P)} 5. Water Pump and Accessory Carton: Includes Water Pump (E), Hose Barb (F), Water Valve (G), 15/16" Wrench (N), Drain Plug (O), Set Collar with Thumb Screw (B), Locking Knob (C) and two 5/16" flatwashers. |
|---|---|

NOTE: IF ANY PARTS ARE MISSING OR DAMAGED, PLEASE CONTACT YOUR FELKER CUSTOMER SERVICE FOR INSTRUCTIONS. CALL 1-800-365-4003

PRE OPERATION CHECKLIST



Before leaving our factory, every machine is thoroughly tested. Follow our instructions strictly and your machine will give you long service in normal operating conditions.



Before starting up the machine, make sure you read this entire Operation's Manual and are familiar with the operation of the machine.

WITH MACHINE SETTING A FIRM LEVEL SURFACE:

1. Check that the saw is mounted correctly on the stand.
2. Fill with water and check that the water level covers the water pump inlet.
3. Check that the Cart is set on the rails and traverses freely.
4. Check that the Blade is installed correctly and the blade shaft nut is tightened firmly.
5. Check that the Blade rotates Counter-ClockWise (CCW).
6. Insure that the power cord is plugged into a properly grounded circuit and for the correct power requirements.

1/2 - 1 HOUR OPERATION CHECK LIST:



ALWAYS set the saw on a level surface with the switch "OFF" and the power cord unplugged from the outlet!!

1. Check the blade shaft nut.
2. Check the V-belt tension if any slippage is noticed. DO NOT over tension!!
3. Keep the cart top clean and free of cuttings.
4. Drain, clean and refill pan frequently. Flush the coolant system with plenty of water, then drain and refill the pan.

SCHEDULED MAINTENANCE QUICK REFERENCE:



Before performing any maintenance, ALWAYS turn "OFF" and unplug the saw.

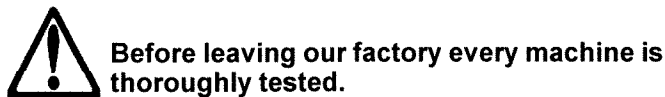
SERVICE DAILY:

1. It is always good practice to clean your tile saw after each day's use.
2. Drain the water and clean out the pan.
3. Inspect water pump strainer and clean if necessary.
4. For protection, remove blade before transporting the saw.
5. Wipe off excess water.
6. Store saw in a dry safe place.

Note: Consult motor manual for additional information.



These signs will give advice for your safety.



Follow our instructions strictly and your machine will give you long service in normal operating conditions.

1 FEATURES

Use: Cutting of paving stones, bricks and tiles up to 10" x 10" (254 x 254mm)

Tools: Rip Guide and stand comes standard on all tile saws. Diamond blades — water cooled, Ø: up to 10" (254 mm) with Arbor Ø- 5/8" (22.1mm)

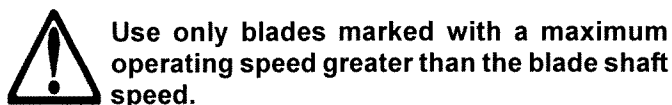
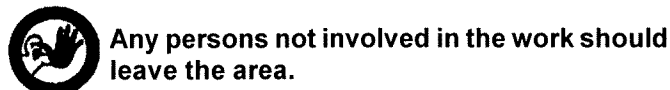
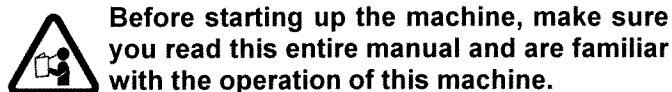
(For information, contact your Felker supplier)

Blade Capacity: Rim Ø 10" (254mm) - bore 5/8" (15.9mm)

Profile Wheel: Rim Ø 7" (180mm) - bore 5/8" (15.9mm)

Blade Rotation: Counter-Clockwise (CCW)

Depth of Cut: 2-3/4" (70mm) with 8" (203mm) blade.
3-3/4" (95mm) with 10" (254mm) blade.



2 BENEFITS

- The new, improved blade guard offers simplified blade installation and removal - maximum 10" (254mm) blade

capacity. The external water tube assembly is removable for easy maintenance.

- 1-1/2 HP, 115V/60/1 high torque motor on standard saw.
- The dependable, high volume, submersible coolant pump features a screened intake.
- The motor and pump power cords are securely mounted directly into the Motor Housing (K).
- The removable Drain Plug (O) at the back side of the pan permits easy coolant draining and quick sludge clean out. The Water Pan (3) is removable for easy cleaning.
- The free-rolling Conveyor Cart (4) is aligned for straight, smooth cuts. The Back Stop with ruler allows fast mounting and adjustment of the rip fence and optional accessories.
- Full-size belt shield and belt protection.
- The special, rubberized surface coating extends cart life and aids in control of work.
- Makes 14" (356 mm) rip cuts on 3" (77 mm) thick material.
- Easy plunge cutting using convenient handle on spring assisted pivoting cutting head.

3 MACHINE SET-UP PROCEDURES

(See Figure 1)

- Remove all items from the shipping carton and identify:
 - Pivot Cutting Head Assembly: Includes Water Tube Assembly (H)
 - Frame Assembly
 - Water Pan Assembly
 - Conveyor Cart Assembly Carton {Cart Assembly (4) and Rip Guide (P)}
 - Water Pump and Accessory Carton: Includes Water Pump (E), Hose Barb (F), Water Valve (G), 15/16" Wrench (N), Drain Plug (O), Set Collar with Thumb Screw (B), Locking Knob (C) and two (2) 5/16" flatwashers.
 - Literature Assembly Envelope

NOTE: Check the carton and all packing filler for loose parts and optional accessories (if ordered).

IF ANY PARTS ARE MISSING OR DAMAGED, PLEASE CONTACT YOUR FELKER CUSTOMER SERVICE FOR INSTRUCTIONS. CALL 1-800-365-4003.

- Set the Frame Assembly (2) on a flat surface or on a FELKER® folding stand.
- Install the Cart Assembly (4) with the Back Stop at the operating end. Check that all four wheels are on the rails and that it travels freely back and forth.

Install the Cutting Head Assembly (1):

- Slide the Pivot Cutting Head Assembly (1) onto the

- pivot bar up against the inner Set Collar (A). The set collar has been pre-set at the factory to align the blade with the slot in the center of the cart; it can be adjusted if needed.
2. Locate the side Pivot Head Assembly on the arm of the Torsion Spring.
 - a. Set the Torsion Spring loop (on the leg next to the frame) around the 5/16" fastener in the vertical post of the saw frame.
 - b. Raise the Head Assembly, pivoting it back enough to slide the other spring leg under the edge of motor plate side.
 - c. Pivot the Head down against the resistance of the Spring to a near level position.
 3. Insert the Locking Knob (C) with the 5/16" flatwashers through the slotted Lockbar (D) into the tapped hole in the belt guard. This is used to hold the Pivot Head against the Spring and to set the cutting depth of the blade.
 4. Install the outer Set Collar (B) up against the other side of the Pivot head and tighten the Thumb Screw.

Water Pump Assembly (5) Set-up:

1. Remove the Water Pump (E), Hose Barb (F), the Water Control Valve (G) and Water Tube Assembly (H) from their carton. Thread the Hose Barb (F) on the water pump outlet, hand tighten.
2. Slide the Water Control Valve (G) onto the flexible plastic tubing and push the open end onto the Hose Barb (F).
3. Set the Water Pump Assembly (5) in the deep end of the pan beneath the belt guard. **Note: The water pump inlet screen must be submerged in order to properly pick up water.**
4. Place the Water Tube Assembly (H) to the back of the Blade Guard (J) and insert the two 1/4" plastic nozzles into the Water Tube Ports (I) on the side of the Blade Guard (J). To prevent interference with the full movement of the cart, it is recommended that the tubing and electrical cord exit out the back through the indented area of the pan.
5. Insert the male plug into the Electrical Receptacle (K) on the motor. The Water Pump (E) will start when the motor is turned "ON". For dry cutting, the water pump should be unplugged or removed to prevent damage to the pump.

NOTE: THE MOTOR WATER PUMP OUTLET IS NOT TO BE USED AS A GENERAL PURPOSE CONVENIENCE OUTLET. USE FOR CONNECTION OF THE SUPPLIED WATER PUMP ONLY.

WATER PUMP SAFETY GUIDELINES



Always plug the saw power cord into a GFCI outlet when using. If a GFCI type outlet is not available, use a plug-in type GFCI plugged into a properly grounded outlet. Do not use any temporary plug adapters.

- The water pump is equipped with a ground electrical plug, to reduce the risk of possible shock. Be sure to connect to a properly grounded type receptacle.
- Never pick the water pump up out of the water when it is plugged in.
- **DO NOT EVER** use the water pump to pump anything but water.
- Never service the pump when it is still plugged in.
- Never let the pump operate dry. It is self-cooled by pumping water. Dry use will cause the pump to fail.
- Maintain regularly and clean out debris from intake screen.
- Check the power cord for nicks or frays and never try to alter the power cord in any way.

Install the Cutting Blade:



Always set the Motor Switch to "OFF" prior to mounting the blade.

1. Be sure you are using the correct blade for the material being cut. For example, blades are available for cutting materials such as wall tile, quarry tile, marble, slate and similarly hard materials. For the best results, always use genuine **FELKER®** diamond blades. Contact your nearest dealer to select the correct blade for your specific cutting needs.
2. Rotate the Blade Guard (J) fully up, tightening the wing nut if needed to hold it in the fully raised position.
3. Remove the Blade Shaft Nut (L) and the Outer Blade Flange (M).
4. Check the blade for Counter-Clockwise rotation (CCW) and install on the spindle shaft.



Rotation direction is indicated by an arrow on one side of the blade. Make sure the blade contact surfaces are clean.

5. Install the outer flange with the large diameter against the blade. Tighten the Blade Shaft Nut (L) with the 15/16" Wrench (N) provided.
6. Lower the Blade Guard (J) and retighten the wing nut to securely hold the guard in place.

- Install the Drain Plug (O) into the back end of the pan and fill with clean water until inlet filter of water pump is covered; about 5 gallons (19 litres).

4

OPERATING PROCEDURES



WARNING: Read the Operating Procedure completely before operating your tile saw.



Take into account the working conditions from the health and safety point of view.



Always pay extreme care and attention to the preparation of the machine before starting.



Remove all wrenches and tools from the machine.



Always keeps blade guard in place.

- Fill the Pan with enough water to fully submerge the water pump screen. It takes approximately 5 gallons (19 litres) to fill the Pan (3).
- Before connecting the power cord:
 - * Check the spindle nut to be sure it is tight and that the blade rotates freely.



WARNING: Check that the ON/OFF switch is in the “OFF” position. Then connect the power cord to a properly grounded outlet of the correct voltage. See the decal near the power cord for power requirements. If needed, use the correct size three (3) conductor extension cord to avoid excessive voltage drop. Never use lamp cord type extensions. Refer to the Recommended Extension Cords chart on page 16.



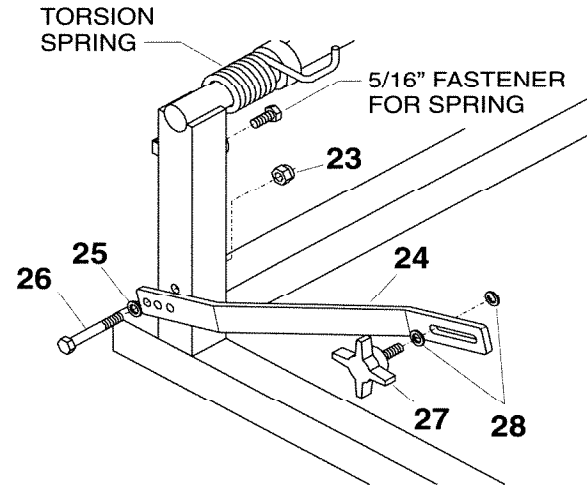
- Turn the switch to “ON”. The blade should turn counter-clockwise (CCW), when looking at the blade guard side. The water pump will start automatically when the motor starts. Adjustment of the water supply may be made by means of the Control Valve (G).
- Follow the blade manufacturer’s recommendations for dry or wet cutting. Wet cutting blades can be damaged or destroyed without sufficient water. Only blades specifically designed for dry cutting can be used without coolant.



The water supply should be adequate, with water flowing on both sides of the blade. Keep the water clean and make certain the **WATER LEVER IS ALWAYS ABOVE THE PUMP INLET.** Do not run the water pump dry!! Unplug for dry cutting.

- For straight cuts, position the tile squarely against the back edge of the conveyor cart. Keep the cart clean and free of cuttings. The standard rip guide is used.
- Move the conveyor cart slowly and carefully until the blade is in contact with the tile. The blade needs a chance to “break-in” or “wear-in” slightly. It may take about ten cuts to open a new blade for best cutting.

5 ADJUSTABLE LOCKBAR WITH DEPTH LIMITING PROTECTION



A lockbar (item 24) is used to set the blade depth during cutting. The lockbar has three (3) holes at the lower end. These are used as depth-limiting settings that, if used with the correct blade diameter, will protect the rolling cart from being cut by the blade.

Three holes in Lockbar:

1. The lowest hole is for use with a 10" diameter blade.
2. The middle hole is for use with an 8" diameter blade.
3. The uppermost hole is for use with a 6" diameter blade or profile wheel.

The **Paver Mate** is shipped standard set-up for a 10" diameter blade. To change the setting, locate the cap screw (item 26) used as the pivot, loosen and remove the Lock Nut (item 23). Set the Lockbar (item 24) at the proper hole. Tighten the fasteners so that the Lockbar (item 24) is free to pivot. Check the setting by loosening the knob (item 27) and lowering the head fully down into the table slot. The blade segment should be below the table surface, but not cutting into the table.

6 MANUAL THERMAL OVERLOAD

The motor is equipped with a manual overload protection reset button. If the motors overheats, the red reset button will “pop out” to open the motor circuit; stopping the motor and water pump. If this occurs, the motor ON/OFF switch must be set to “OFF”. After motor the cools, push in the reset button. When it stays in, the motor can be restarted.

7 RECOMMENDED EXTENSION CORDS



Good motor performance depends on proper voltage. Extension cords that are too long and/or too small in wire gauge reduce the voltage to the motor under load. Use extension cords no smaller than indicated below.

Motor		F.L. Amps		50' Cord		75' Cord		100' Cord	
HP	RPM	115V	230V	115V	230V	115V	230V	115V	230V
1-1/2	1725	14.4	7.2	#12	#14	#10	#14	#8	#14

8 ALIGNMENT PROCEDURES

Your **Paver Mate** saw is factory assembled and aligned prior to shipment to ensure accurate cuts when your saw is delivered. However, since **FELKER®** cannot control rough handling during shipping, it is suggested that the alignment be checked. If the saw is found in need of adjustment, refer to the appropriate section(s) below.

There are three basic alignment checks for the **Paver Mate** and any adjustments made must follow these procedures to ensure that the unit functions freely.

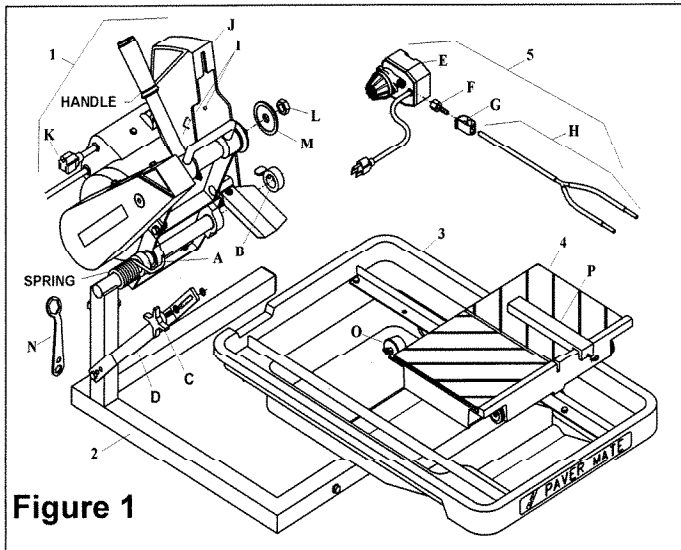


Figure 1

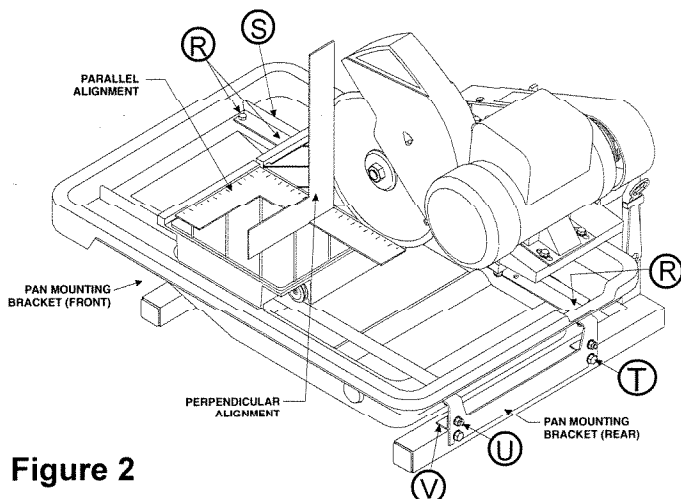


Figure 2

Adjustment tools required: Carpenter's Square, two (2) 7/16" wrenches and 5/32" hex key.

1. Check the Blade In Slot Alignment

- * The blade should be centered in the conveyor cart slot.

- * Set-up your saw as described above, move the conveyor cart back and forth from the front to the rear of the pan. If the blade contacts either side of the slot, the Cutting Head Adjustment must be performed. (See Figure 1)

Cutting Head Location Adjustment

- * The Cutting Head Assembly (1) is located between the Set Collars (A-B). Using the Thumb screw on the outer collar and a 5/32" hex key for the inner, loosen the two set collars. Move the Head Assembly along the Pivot bar until the blade is in the center of the slot. Relocate the Set Collars against the sides of the Cutting Head again and retighten their set screws.

2. Check the Parallel Alignment (See Figure 2)

- * The conveyor cart should travel parallel to the plane of the blade.
- * Place a square rule against the backstop, lightly in contact with the blade. The blade surface should be parallel to the square; e.g., no gap between the blade and the square at either the front or back edge of the blade. Next, holding the square firmly traverse the cart fore and aft. The blade should remain parallel to the square, staying slightly in contact with it throughout its full travel. If the blade does not stay in contact with the square, the Parallel Alignment must be performed.

Parallel Alignment

- * Loosen the six (6) fasteners (R) locating the two (2) rails (S) so that both rails are free to move. Move the end(s) of one rail until the square is flush with the blade. Tighten the fasteners of this rail and recheck the alignment. Once alignment has been made, move the cart fore and aft to locate the second rail. Tighten the remaining three fasteners.

3. Check the Perpendicular Alignment (See Figure 2)

- * The vertical plane of the blade should be perpendicular (90 degrees) to the surface of the cart [within $\pm 1/32"$ (1mm)].
- * Raise the blade guard and, using square rule, check the vertical plane of the blade perpendicular to the cart surface. If there is a gap between the top or bottom of the square and the blade, the Perpendicular Alignment must be performed.

Perpendicular Alignment

- * The two (2) mounting brackets (one at the Front and the other at the Rear) of the Pan Assembly fasten to the frame with four (4) Capscrews (T) and the four (4) Locknuts (U) so the Pan Assembly rests in its lowest position. At the rear of the pan, determine the lowest corner of the pan and adjust the corresponding alignment bracket (V) until the cart sits perpendicular to the blade. Retighten the lock nut at this corner.

- * Level the pan as needed with the alignment bracket on the front until the cart rolls evenly along the rails. Retighten the remaining lock nuts.

9

PROFILE WHEEL SET-UP AND USE

The **Paver Mate** may be used with a **FELKER®** 6" Profile Wheel, such as P/N 621081 or 621082.

- Raise the Blade Guard (J). Remove the Spindle Nut (L) and Outer Flange (M). Remove the tile saw blade if one has been installed.
- Install the profile wheel onto the spindle shaft up against the inner flange with the working surface to the outside.
- Secure into place by reversing the Outer Flange (M) and tightening the Spindle Nut (L). Lower the Blade Guard (J) back down over the profile wheel.
- Locate the material for profiling:
 1. Set the edge of the part to be shaped parallel to the wheel.
 2. Locate the material under the wheel. Pull the Conveyor Cart (4) with the material from under the profile wheel to set proper cutting height.
 3. Loosen the Locking Knob (C) and lower the Cutting Head (1) so that the profile wheel just slightly makes contact with the material.
 4. Secure the Cutting Head (1) into position with the Locking Knob (C) for cutting.

Note: Profiling usually takes several light passes to produce the best results. Set lower each time until the desire depth has been reached.

10

MAINTENANCE PROCEDURES



Before performing any maintenance, ALWAYS place the machine on a level surface with the motor "OFF" and disconnect the electrical current. Let the machine cool down!!

Your **FELKER®** tile saw is a ruggedly constructed machine, engineered to give long, satisfactory performance. Simple daily maintenance and care will add to the life and productivity of your saw.

After each day's use: **CLEAN THE MACHINE!!**

- * Turn off and unplug the saw before performing any maintenance.
- * Keep the cart top clean and free from cuttings. To clean it, flush the top surface and grooves with water.
- * Drain, clean and refill the pan frequently. Flush the coolant system with plenty of water, then drain and refill the pan.
- * If the water flow stops, check the water pump to see if the shaft and impeller turn freely. See the **WATER PUMP TROUBLE-SHOOTING PROCEDURE** section.
- * It is always good practice to clean your tile saw after each day's use. Drain the water and clean out the pan. Clean the rails. Before storing, it is good practice to wipe or spray rails with water-soluble oil (like, WD-40 or equivalent).



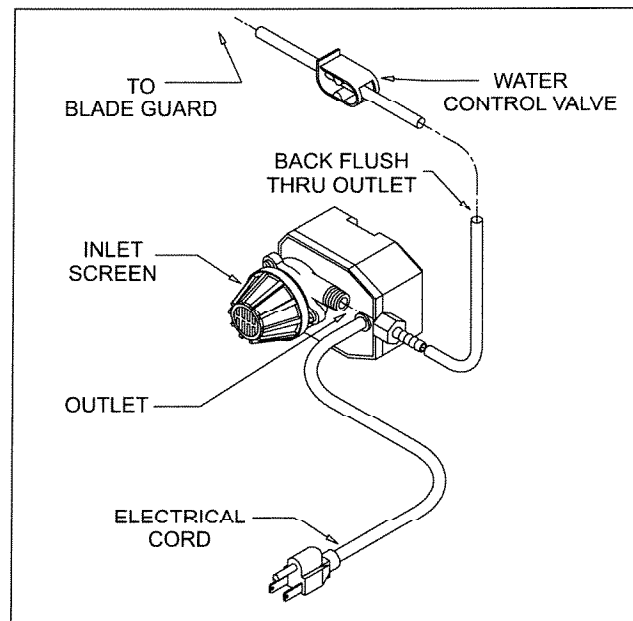
Entrust all repairs to your authorized dealer only.

If Water Stops Flowing:

1. **Stop Sawing**, then
2. **Disconnect Electrical Plug from Outlet**, then
3. **Remove the Pump**, then
4. **Back Flush**

Back flushing is done by forcing water into the pump discharge and out through the screen. Most of the time this procedure works, and the pump can be put back into service. (See Figure)

If the back flushing does not work, remove the screen and turn the impeller manually, looking for and rinsing out the impeller cavity of any dirt or foreign matter.



We carry out all repairs in the shortest possible time and at the most economical prices. (See front page for address and phone numbers) Contact your authorized **Felker®** dealer concerning maintenance and repairs.

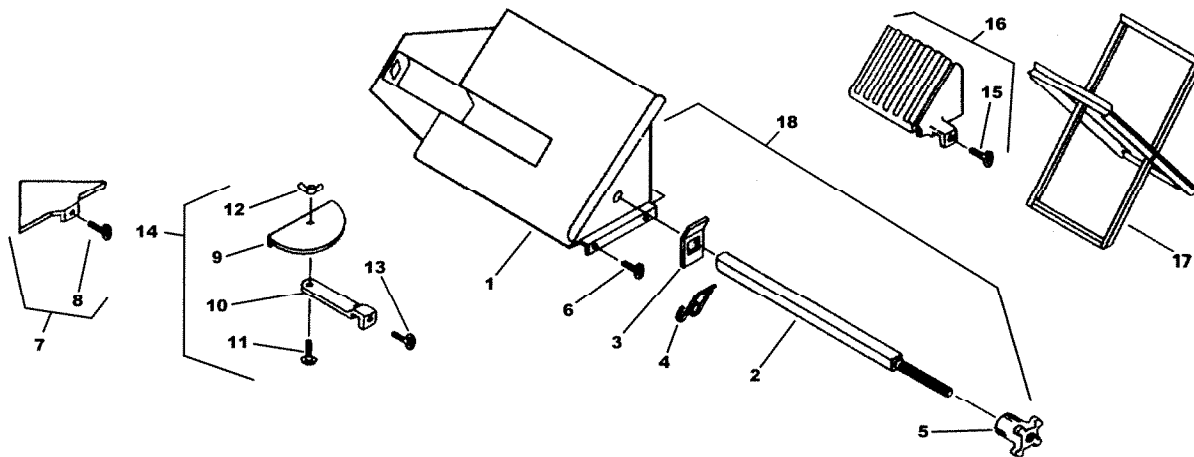
For quick supply of spare parts and to avoid any lost time, it is essential to quote the data on the manufacturers plate fixed to the machine and the part number(s) and description to be replaced with every order.

Write the Model Number & Serial Number here for future reference:

Model Number: _____

Serial Number: _____

14 TILE CUTTING ACCESSORIES



ANGLE GUIDE

PROTRACTOR

PRECISION MITERING GUIDE

BULLNOSE

FOLDING STAND

Parts List:

Diag.	Part No.	Qty.	Description	Diag.	Part No.	Qty.	Description
1	161479	1	Frame, Miter	10		1	Protractor Arm
2	050107	1	Bar, Locking	11	020011	1	Bolt, Carriage, 1/4-20 x 5/8"
3	050105	1	Clip, Stop	12	020244	1	Wing Nut, 1/4-20
4	050106	1	Spring	13	020598	1	Screw, Thumb, 1/4-20 x 1"
5	050103	1	Knob	14	051010	1	Protractor Assy
6	020598	2	Screw, Thumb, 1/4" - 20 x 1"	15	020598	1	Screw, Thumb, 1/4" - 20 x 1"
7	051020	1	Miter Assy, 45°	16	051030	1	Holder Assy, Bullnose
8	020598	1	Screw, Thumb, 1/4" - 20 x 1"	17	051041	1	Stand, Tile Saw
9		1	Protractor Head	18	050102	1	Support Assy, Miter Frame

RIP GUIDE: P/N 051000 - The Rip Guide is a standard accessory supplied with every tile saw. It is used to provide a repeatable position for rip cuts until relocated. The Rip Guide clamps to the machined backstop of the conveyor cart.

ADJUSTABLE PROTRACTOR: P/N 051010 - The Protractor can be used to rip cut known angles. The Protractor clamps to the backstop.

ANGLE GUIDE : P/N 051020 - This is a non-adjustable miter used to quickly position the tile at 45 degrees; either on the left or right side. It is often used for repeated diagonal rip cuts. The Angle Guide clamps to the backstop.

BULLNOSE MITERING GUIDE: P/N 051030 - This is a fixed guide that positions the tile for a 45 degree miter cut. The Mitring Guide clamps to the backstop.

PRECISION MITERING JIG: P/N 161480 - This is a 45 degree fixture that has an adjustable clamp to hold the tile while miter cutting. The Mitring Guide clamps to the backstop.

BOOMERANGLE: P/N 169525 - This plastic accessory holds the tile at 45 degrees; locating two edges of the tile. Useful for diagonal cuts or uniformly cutting off corners. The Boomerangle clamps to the backstop with two thumb screws.

FOLDING STAND: P/N 051041 - This stable, one piece stand brings a **FELKER®** tile saw to standing level for ease of work. The stand conveniently folds flat for storage and transporting.

The instructions for use and spare parts found in this document are for information only and are not binding. As part of our product quality improvement policy, we reserve the right to make any and all technical modifications without prior notice.



The manufacturer accepts no responsibility caused by unsuitable use or modifications.



NOTES:

LA SÉCURITÉ AVANT TOUT !



ATTENTION : LE NON RESPECT DE CES MISES EN GARDE ET INSTRUCTIONS D'UTILISATION PEUT ENTRAÎNER LA MORT OU DES BLESSURES CORPORELLES GRAVES

FAIRE

- Faire** Lire ce manuel d'utilisation entièrement avant d'utiliser cette machine. Comprendre toutes les mises en garde, les instructions et les commandes.
- Faire** Toujours maintenir les protections en place et en bonne condition.
- Faire** Porter des protections de sécurité approuvées pour les oreilles, les yeux, les voies respiratoire et la tête.
- Faire** Veiller à lire et à comprendre toutes les mises en garde et instructions figurant sur la machine.
- Faire** Lire et comprendre les définitions de symboles contenus dans ce manuel.
- Faire** Rester à l'écart du disque.
- Faire** Savoir comment arrêter rapidement la machine en cas d'urgence.
- Faire** Placer l'interrupteur « marche-arrêt » (ON/OFF) à la position d'ARRÊT (OFF) avant de brancher la machine à la source de courant.
- Faire** Avant de mettre le disque en place, vérifier qu'il n'est pas abîmé, que les flasques et arbres ne sont pas endommagés ni sales.
- Faire** Ne jamais laisser les enfants s'approcher de la machine.
- Faire** Utiliser uniquement des disques indiquant une vitesse maximale de fonctionnement supérieure à la vitesse de la broche.
- Faire** Lors du sciage à l'eau, toujours utiliser un disjoncteur différentiel.
- Faire** Lire tous les documents et consignes de sécurité qui accompagnent les disques utilisés avec cette machine.
- Faire** Contrôler chaque disque avant de l'utiliser. Si des signes d'endommagement ou d'usure anormale sont constatés, NE PAS UTILISER CE DISQUE.
- Faire** Monter le disque de façon solide et ferme, resserrer l'écrou de l'arbre avec une clef.
- Faire** Utiliser un disque approprié au type de travail à accomplir. Contacter le fabricant de disque en cas d'incertitude concernant le disque à utiliser.
- Faire** Ne faire fonctionner la machine que dans des zones bien ventilées.
- Faire** Élaborer un programme de formation pour tous les utilisateurs de cette machine.
- Faire** Dégager la zone de travail de toute personne qui ne soit pas nécessaire. Ne jamais autoriser qui que ce soit à se tenir devant ou derrière le disque lorsque le moteur est en marche.
- Faire** Vérifier que le disque n'est pas en contact avec quoi que ce soit avant de mettre le moteur en marche.
- Faire** Faire attention en soulevant et en transportant cette machine.
- Faire** Toujours attacher la machine avant de la transporter.
- Faire** Prendre des précautions et suivre les instructions pour la mise en place de la machine.
- Faire** Faire faire l'entretien par un personnel compétent.
- Faire** Vérifier que les machines électriques sont branchées sur un circuit correctement mis à la terre.
- Faire** Vérifier que les cordons électriques ont le calibre correct et sont en bon état.
- Faire** Maintenir fermement le matériau à scier.
- Faire** Avant de monter le disque, s'assurer que le trou de l'arbre de disque correspond à l'arbre de la machine.
- Faire** Nettoyer la machine après chaque utilisation journalière.
- Faire** Observer tous les codes électriques en vigueur sur le plan local.
- Faire** Vérifier l'aire de travail. Ne pas exposer les outils électriques à la pluie. Ne pas utiliser d'outils électriques dans des endroits mouillés.
- Faire** Prendre des précautions pour éviter les secousses électriques. Éviter le contact du corps avec des surfaces reliées à la terre (ex. : tuyaux, radiateurs, cuisinières, réfrigérateurs).
- Faire** Utiliser la tension correcte et les rallonges de cordon appropriées. Ne jamais transporter l'outil en le tenant par son cordon ni tirer d'un coup sec sur le cordon pour débrancher la fiche de la prise de courant.
- Faire** Maintenir le cordon éloigné de la chaleur, de l'huile et des bords coupants.
- Faire** Toujours arrêter le moteur et débrancher le cordon avant de transporter la machine.
- Faire** Débrancher les outils de la source d'alimentation électrique lorsqu'ils ne sont pas utilisés, avant de faire leur entretien et de changer des accessoires.
- Faire** Pour obtenir les meilleures performances et le fonctionnement le plus sûr, effectuer un entretien et un nettoyage soigneux. Suivre les instructions pour changer les accessoires. Inspecter régulièrement les cordons des outils et, s'ils sont endommagés, les faire réparer par un centre d'entretien agréé.
- Faire** Ne scier qu'en ligne droite.
- Faire** Toujours donner une copie de ce manuel à l'utilisateur de la machine. Si d'autres copies sont nécessaires, contacter TOLL FREE 1-800-365-4003.

LA SÉCURITÉ AVANT TOUT !



ATTENTION : LE NON RESPECT DE CES MISES EN GARDE ET INSTRUCTIONS D'UTILISATION PEUT ENTRAÎNER LA MORT OU DES BLESSURES CORPORELLES GRAVES

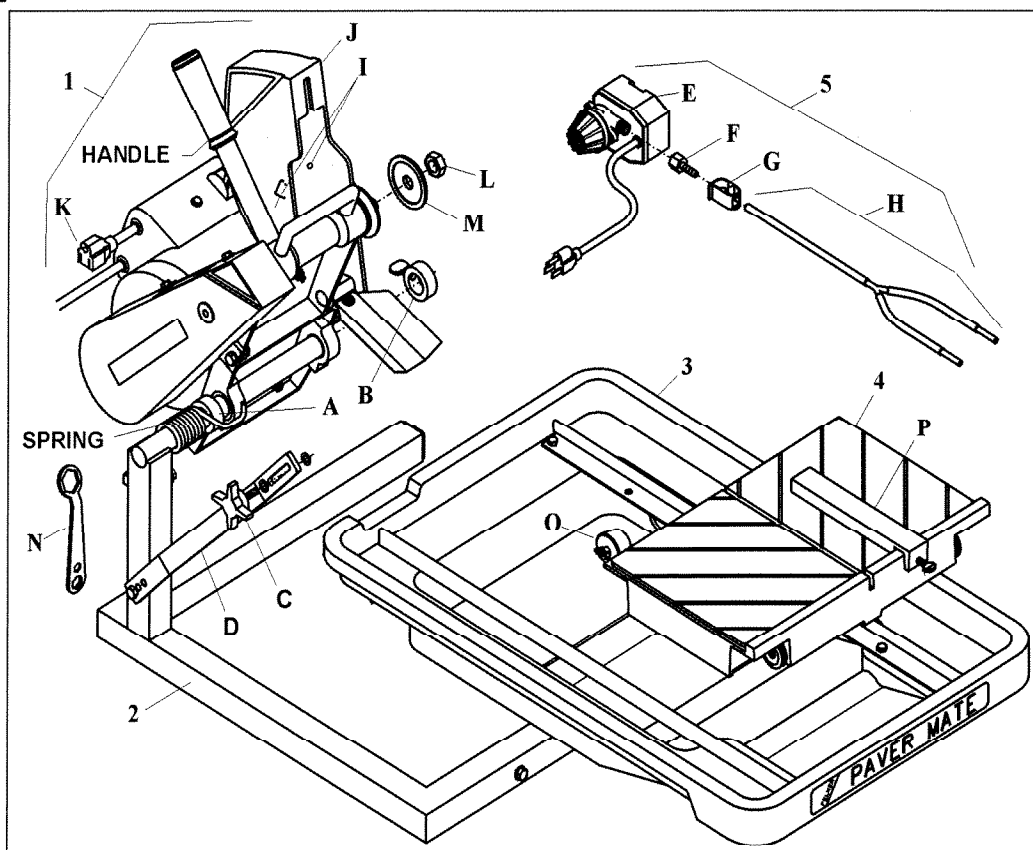
NE PAS FAIRE

- NE PAS** utiliser cette machine avant d'avoir lu et compris ce manuel de fonctionnement.
- NE PAS** utiliser cette machine sans protection de disque ou sans qu'une autre protection soit montée.
- NE PAS** se tenir derrière ou devant le chemin du disque lorsque le moteur est en marche.
- NE PAS** laisser la scie sans surveillance lorsque le moteur tourne.
- NE PAS** utiliser la machine lorsque l'on est fatigué.
- NE PAS** utiliser de disque pour sciage à eau sans avoir un approvisionnement en eau suffisant pour le disque.
- NE PAS** dépasser la vitesse maximale de disque indiquée pour chaque taille de disque. Une vitesse excessive pourrait casser le disque.
- NE PAS** utiliser cette machine lorsque l'on n'est pas certain de savoir comment elle fonctionne.
- NE PAS** utiliser d'équipements ou de disques endommagés.
- NE PAS** toucher ou essayer d'arrêter un disque en mouvement avec la main.
- NE PAS** incliner, coincer, serrer ou tordre le disque dans l'entaille.
- NE PAS** transporter un outil de coupe lorsque le disque y est monté.
- NE PAS** utiliser de disque qui est tombé ou endommagé.
- NE PAS** utiliser de disques à pointe carbure.
- NE PAS** utiliser de disque abrasif.
- NE PAS** toucher un disque diamanté pour sciage à sec immédiatement après usage. Ces disques ont besoin de plusieurs minutes pour refroidir après chaque sciage.
- NE PAS** utiliser de flasques de disque endommagés ou usés.
- NE PAS** autoriser d'autres personnes à se trouver près de la machine lors des opérations de mise en marche, d'appoint en carburant ou de sciage.
- NE PAS** faire fonctionner cette machine dans un espace clos sauf s'il dispose d'une ventilation appropriée.
- NE PAS** faire fonctionner cette machine près de tout corps inflammable. Des étincelles pourraient provoquer un incendie ou une explosion.
- NE PAS** autoriser la partie exposée hors de la protection du disque à être supérieure à 180 degrés.
- NE PAS** utiliser l'outil si la protection de la courroie ou du disque est enlevée.
- NE PAS** utiliser cette machine si l'on n'a pas été spécialement formé pour cela.
- NE PAS** utiliser un disque qui a surchauffé. (Le noyau a une couleur bleue).
- NE PAS** coincer de matériaux dans le disque.
- NE PAS** meuler la partie latérale du disque.
- NE PAS** poser les cordons électriques dans l'eau ni près de l'eau.
- NE PAS** remplacer le moteur par un autre qui n'est pas muni d'une connexion spéciale de mise à la terre.
- NE PAS** couper à plus d'un (1) po (2,5 cm) de profondeur à la fois avec un disque sec. Le sortir avant de faire des entailles plus profondes.
- NE PAS** commencer à scier si la zone de travail n'est pas dégagée et si l'on ne peut se tenir en bon équilibre.
- NE PAS** utiliser la scie sous l'influence de drogues ou d'alcool

Cette scie a été conçue pour des utilisations spécifiques. **NE PAS** modifier cette scie pour toute utilisation autre que celle pour laquelle elle a été conçue. En cas de doutes concernant son utilisation, **NE PAS** utiliser la scie avant d'avoir écrit à Diamant Boart, Inc. et d'avoir reçu une réponse.

Diamant Boart, Inc.
17400 West 119th Street
Olathe, Kansas 66061
In USA 1-800-365-4003

FIGURE 1



- | | |
|--|---|
| <ul style="list-style-type: none"> A. Collier de fixation - fixe B. Collier réglable avec vis à oreilles C. Bouton de blocage D. Barre de blocage E. Pompe à eau F. Griffe de tuyau G. Robinet d'eau H. Tube à eau I. Orifices de tube à eau J. Protection de disque K. Prise électrique L. Écrou d'arbre de disque M. Flasque extérieur de disque N. Clé O. Bouchon de vidange P. Guide de refend | <ul style="list-style-type: none"> 1. Ensemble de tête de coupe à pivot : comprend la tuyauterie d'eau (H) installée. 2. Porte-scie 3. Bac à eau 4. Carton de pièces d'assemblage du chariot de transport {chariot (4) et guide de refend (P)} 5. Carton de la pompe à eau et des accessoires: comprend la pompe à eau (E), la fourche de tuyau (F), la vanne d'eau (G), la clé de 15/16 po (N), le bouchon de vidange (O), bouton de blocage (C) avec rondelles plates de 1/16 po et collier de fixation avec vis à oreilles (B). |
|--|---|

REMARQUE : S'IL MANQUE DES PIÈCES OU SI ELLES SONT ENDOMMAGÉES, PRIÈRE DE CONSULTER LE CONCESSIONNAIRE FELKER POUR OBTENIR DES INSTRUCTIONS. Téléphoner au 1-800-365-4003.

LISTE DE VÉRIFICATIONS AVANT L'UTILISATION



Avant de quitter l'usine, chaque machine est soigneusement testée. Observer exactement les instructions pour que la machine fournisse une longue durée de service en conditions normales d'utilisation.



Avant de mettre la machine en marche, veiller à lire entièrement le manuel d'utilisation et à bien connaître le mode d'emploi de la machine.

LA MACHINE REPOSANT SUR UNE SURFACE HORIZONTALE ET FERME :

1. Vérifier que la scie est montée correctement sur le support.
2. Remplir d'eau et vérifier que le niveau est suffisant pour que l'entrée de la pompe à eau soit submergée.
3. Vérifier que le chariot repose sur les rails et se déplace librement.
4. Vérifier que le disque est installé correctement et que l'écrou d'arbre de disque est fermement serré.
5. Vérifier que le disque tourne dans le sens inverse des aiguilles d'une montre.
6. S'assurer que le cordon électrique est branché sur un circuit correctement mis à la terre et que les exigences d'alimentation électrique sont respectées.

LISTE DE VÉRIFICATIONS D'UTILISATION ½ - 1 HEURE :



TOUJOURS poser la scie sur une surface horizontale, avec l'interrupteur sur « ARRÊT » (« OFF ») et le cordon électrique débranché de la prise de courant !!

1. Vérifier l'écrou d'arbre de disque.
2. Vérifier la tension de la courroie trapézoïdale si l'on a remarqué un patinage. NE PAS trop tendre !!
3. Maintenir le haut du chariot propre et exempt de débris de coupe.
4. Vider, nettoyer et remplir fréquemment le bac. Rincer le circuit de refroidissement avec un grand volume d'eau puis vider et remplir le bac.

RÉFÉRENCE RAPIDE SUR LE PROGRAMME D'ENTRETIEN :

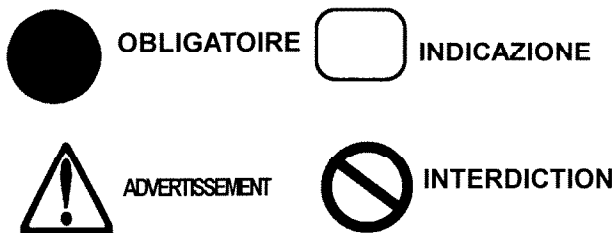


Avant d'effectuer une opération d'entretien quelle qu'elle soit, **TOUJOURS ARRÊTER** la scie et la débrancher.

ENTRETIEN JOURNALIER :

1. C'est toujours une bonne habitude de nettoyer la scie pour tuiles ou carreaux après chaque journée d'utilisation.
2. Vider l'eau et nettoyer le bac.
3. Inspecter le filtre de la pompe à eau et le nettoyer si nécessaire.
4. Pour plus de sécurité, retirer le disque avant de transporter la scie.
5. Essuyer l'excédent d'eau.
6. Ranger la scie dans un endroit sec, en lieu sûr.

Remarque : Consulter le manuel du moteur pour plus amples informations.



Ces symboles vous permettent de bénéficier d'une meilleure sécurité.

Avant de quitter notre usine, chaque machine subit une série de contrôles au cours desquels tout est minutieusement vérifié.

Le strict respect de nos instructions assurera à votre machine une longue durée d'utilisation dans des conditions de travail normales.

1 Caractéristiques

Utilisation: Sciage de pavés, briques, tuiles et carreaux d'une dimension maximum de 254 x 254 mm (10 x 10 po)

Outils: Guide de refend et support fournis en équipement standard sur toutes les scies pour tuiles ou carreaux. Disques en diamant – refroidis à l'eau. Diam. : maximum de 254 mm (10 po) avec mandrin diam. de 22,1 mm (5/8 po)

(Pour toutes informations, contacter le fournisseur Felker)

Capacité du disque: diam. 10 po (254 mm) – alésage 5/8 po (15,9 mm).

Roue à profiler: diam 7 po (180 mm) – alésage 5/8 po (15,9 mm).

Rotation du disque : sens inverse des aiguilles d'une montre.

Profondeur de coupe : 3-3/4 po (95 mm) avec disque de 10 po (254 mm).

Avant toute mise en service de la machine, il est nécessaire de lire ce manuel dans sa totalité et de se familiariser avec le fonctionnement de la machine.

La zone de travail doit être parfaitement dégagée, bien éclairée, et ne présenter aucun risque pour la sécurité.

L'opérateur doit porter des vêtements de protection appropriés au travail qu'il exécute.

Toute personne étrangère au travail doit sortir de la zone de travail.

N'utiliser que des disques indiquant une vitesse maximale de fonctionnement supérieure à la vitesse de la broche.

2 Avantages

- La nouvelle protection de disque améliorée simplifie l'installation et la dépose du disque – capacité maximale du disque 10 po (254 mm). Le tube à eau extérieur se démonte pour faciliter l'entretien.
- Moteur à couple élevé (HT), 1-1/2 hp, 115/60/1 sur les scies standard.
- Carter et protection sur toute la longueur de la courroie.
- La pompe à eau de refroidissement submersible, fiable, à haut rendement comporte un orifice d'admission à tamis.
- Les cordons électriques du moteur et de la pompe sont solidement fixés directement dans le capot (K) du moteur.
- Le bouchon de vidange (O) amovible à l'arrière du bac facilite la vidange de l'eau de refroidissement et l'élimination rapide des dépôts. Le bac à eau (3) s'enlève pour permettre le nettoyage.
- Le chariot de transport (4) à marche libre est aligné en usine pour permettre des coupes droites. Il comporte une grande surface de travail avec une rallonge encliquetable en option qui donne encore plus d'espace pour couper les grand(e)s tuiles ou carreaux.
- Le chariot est muni d'un mécanisme de blocage unique qui le maintient solidement en place tout en lui permettant de se déplacer librement sur ses roues à roulements en acier durable.
- Le guide de refend standard (P) comporte un système de serrage et de desserrage instantané. D'autres accessoires sont également disponibles en option avec ce système. La règle-guide graduée bien visible sur le chariot permet de repérer le guide de refend avec précision.
- Réalise des coupes en diagonale sur tuiles et carreaux de 13 x 13 po (330 x 330 mm). Peut réaliser des coupes de refend de 19 po (360 mm).

3 Mise en place de la machine

(Figure 1)

- Sortir toutes les pièces de l'emballage d'expédition et les identifier :
 1. Tête de coupe, y compris le tube à eau (H)
 2. Porte-scie
 3. Bac à eau
 4. Carton de pièces d'assemblage du chariot de transport {chariot (4) et guide de refend (P)}
 5. Carton de la pompe à eau et des accessoires : comprend la pompe à eau (E), la fourche de tuyau (F), la vanne d'eau (G), la clé de 15/16 po (N), le

bouchon de vidange (O), le collier réglable avec la vis à oreilles (B), le bouton de verrouillage (C) et deux (2) rondelles plates de 5/16 po.

6. Pochette de documentation

REMARQUE : Bien regarder dans le carton et parmi les matériaux de calage pour y trouver les pièces en vrac et les accessoires en option (s'ils ont été commandés).

REMARQUE : S'IL MANQUE DES PIÈCES OU SI ELLES SONT ENDOMMAGÉES, PRIÈRE DE CONSULTER LE CONCESSIONNAIRE FELKER POUR OBTENIR DES INSTRUCTIONS. Téléphoner au 1-800-365-4003.

- Poser le porte-scie (2) sur une surface plate ou sur un porte-scie pliant **FELKER**®.
- Installer le chariot (4) en plaçant la butée arrière à l'extrémité de commande. Vérifier que les quatre roues sont sur les rails et que le chariot se déplace librement dans les deux sens.

Installation de l'ensemble de la tête de coupe (1) :

1. Glisser l'ensemble de la tête de coupe à pivot (1) sur la barre à pivot, contre le collier réglable intérieur (A). Ce collier a été préréglé en usine de façon à aligner le disque sur la fente, au centre du chariot ; il peut être ajusté si nécessaire.
2. Situer l'ensemble de tête à pivot latéral sur le bras du ressort de torsion.
 - a. Placer la boucle du ressort de torsion (sur la patte, près du châssis) autour de la fixation de 5/16 po, dans le montant vertical du châssis de la scie.
 - b. Lever l'ensemble de tête en le faisant pivoter suffisamment en arrière pour glisser l'autre branche du ressort sous le bord du côté de la plaque du moteur.
 - c. Pivoter la tête vers le bas, contre la résistance du ressort, jusqu'à une position quasi-horizontale.
3. Insérer le bouton de verrouillage (C) avec les rondelles plates de 5/16 po à travers la barre de verrouillage à fente (D), dans le trou taraudé de la protection de courroie. Ceci sert à maintenir la tête à pivot contre le ressort et à régler la profondeur de sciage du disque.
4. Poser le collier réglable extérieur (B) contre l'autre côté de la tête à pivot et serrer la vis à oreilles.

Mise en place de la pompe à eau (5) :

1. Sortir de leur carton la pompe à eau (E), la griffe de tuyau (F), le robinet d'eau (G) et le tube à eau (H). Visser la griffe (F) sur l'orifice de sortie de la pompe à eau puis serrer à la main.
2. Faire glisser le robinet (G) sur le tube en plastique flexible et pousser l'extrémité ouverte sur la griffe du tuyau (F).
3. Placer la pompe à eau (5) dans la partie profonde du bac, sous la protection de la courroie. **Remarque : Le tamis d'entrée de la pompe à eau doit**

être immergé afin de pouvoir capter l'eau de manière adéquate.

4. Placer le tube à eau (H) à l'arrière de la protection de disque (J) et insérer deux buses en plastique de 1/4 po dans les orifices (I) sur le côté de la protection de disque (J). Pour éviter toute entrave dans le mouvement du chariot, il est conseillé de faire sortir les tubes et le cordon électrique à l'arrière de l'adent du bac.
5. Insérer la fiche mâle dans la prise (K) du moteur. La pompe à eau (E) démarre quand le moteur est mis en marche. Pour le sciage à sec, la pompe à eau doit être débranchée ou déposée pour éviter qu'elle ne soit abîmée.

REMARQUE : LA PRISE DE LA POMPE À EAU DU MOTEUR NE DOIT PAS ÊTRE UTILISÉE COMME PRISE MULTIUSAGES. ELLE DOIT SERVIR UNIQUEMENT POUR LE RACCORDEMENT DE LA POMPE À EAU FOURNIE.

CONSIGNES DE SÉCURITÉ ET ENTRETIEN DE LA POMPE À EAU



Lors de son utilisation, toujours brancher le cordon électrique de la scie dans une prise à disjoncteur différentiel. En l'absence de prise de ce type, utiliser un disjoncteur de type enfichable branché sur une prise correctement mise à la terre. Ne pas utiliser d'adaptateur temporaire.

- La pompe à eau est équipée d'une fiche électrique à mise à la terre afin de réduire le risque de secousses électriques. Veiller à la brancher sur une prise correctement mise à la terre.
- Ne jamais toucher une pompe à eau branchée pour la sortir de l'eau.
- **NE JAMAIS** utiliser la pompe à eau pour pomper un liquide autre que de l'eau.
- Ne jamais faire l'entretien ou la réparation de la pompe alors qu'elle est branchée.
- Ne jamais laisser la pompe fonctionner à sec car c'est en pompant l'eau qu'elle se refroidit. Tout fonctionnement à sec provoquera une panne.
- Effectuer un entretien régulier et enlever les débris se trouvant dans le filtre d'aspiration.
- Vérifier que le cordon électrique n'est ni entaillé ni effiloché et ne jamais essayer de le modifier.

Installation du disque de coupe :



Toujours mettre l'interrupteur du moteur sur ARRÊT avant de monter le disque.

1. Veiller à toujours utiliser le disque adapté au matériau à couper. Il existe par exemple des disques pour couper des matériaux tels que les carreaux de revêtement, les carreaux de carrière, le marbre, l'ardoise et autres matériaux durs. Pour obtenir les meilleurs résultats, toujours utiliser les

disques en diamant d'origine **FELKER**®. Contacter le fournisseur le plus proche pour le choix du disque approprié aux besoins spécifiques du travail à réaliser.

2. Faire tourner la protection de disque (J) complètement vers le haut, et serrer l'écrou papillon pour la maintenir complètement relevée.
3. Enlever l'écrou d'arbre de disque (L) et le flasque (M) extérieur du disque.
4. Vérifier que le disque tourne en sens inverse des aiguilles d'une montre et l'installer sur l'arbre fuselé.



Le sens de rotation est indiqué par une flèche située sur un côté du disque. Veiller à la propreté des surfaces de contact du disque.

5. Installer le flasque extérieur, grand diamètre contre le disque. Serrer l'écrou (L) d'arbre de disque avec la clé 15/16 po (N) fournie.
 6. Abaisser la protection de disque (J) et resserrer l'écrou papillon pour maintenir la protection solidement en place.
- Installer le bouchon de vidange (O) dans la partie arrière du bac et remplir d'eau propre jusqu'à ce que le filtre d'entrée de la pompe à eau soit recouvert, soit environ 6,5 gal (25 l).

4 Procédures d'utilisation



AVERTISSEMENT : Lire entièrement la procédure d'utilisation avant d'utiliser la scie à tuiles et carreaux.



Tenir compte des conditions de travail, des points de vue santé et sécurité.



Toujours apporter un soin et une attention minutieuse à la préparation de la machine avant la mise en marche.



Enlever toutes les clés et tous les outils de la machine.



Toujours maintenir la protection de disque en place.

- Verser suffisamment d'eau dans le bac pour immerger complètement le tamis de la pompe à eau. Environ 5 gallons (19 l) sont nécessaires pour remplir le bac (3).
- Avant de brancher le cordon d'alimentation :
 - * Vérifier le serrage de l'écrou de tige et la libre rotation du disque.



AVERTISSEMENT : Vérifier que l'interrupteur MARCHE/ARRÊT est en position ARRÊT. Brancher alors le cordon d'alimentation sur



une prise correctement mise à la terre et de tension correcte. Pour se renseigner sur l'alimentation requise, consulter l'autocollant situé près du cordon. Au besoin, utiliser une rallonge de cordon de calibre correct à trois (3) conducteurs pour éviter les chutes de tension excessives. Ne jamais utiliser de rallonges pour lampes. Se référer au tableau des Rallonges de cordons recommandées, ci-dessous.

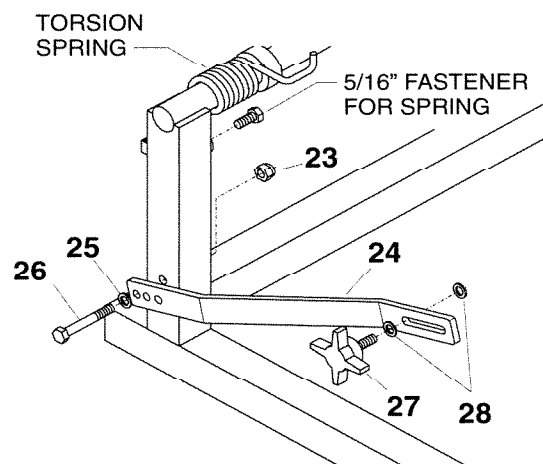
- Mettre l'interrupteur sur MARCHE. Le disque doit tourner dans le sens inverse des aiguilles d'une montre, en regardant le côté protection de disque. La pompe à eau se met automatiquement en marche lorsque le moteur démarre. Le réglage de l'alimentation en eau peut se faire au moyen du robinet de commande (G).
- Suivre les recommandations du fabricant de disques pour la coupe à sec ou à l'eau. Les disques de coupe à l'eau peuvent être endommagés ou détruits si l'eau fait défaut. Seules des lames conçues spécialement pour la coupe à sec peuvent être utilisées sans liquide de refroidissement.



L'alimentation en eau doit être adéquate, et l'eau doit couler des deux côtés du disque. Garder l'eau propre et veiller à ce que le NIVEAU D'EAU SOIT TOUJOURS AU-DESSUS DE L'ORIFICE D'ENTRÉE DE LA POMPE. Ne pas utiliser la pompe sans eau !! Débrancher pour la coupe à sec.

- Pour les coupes droites, positionner le carreau contre le bord arrière du chariot de transport. Garder ce dernier propre et exempt de résidus de coupe. Le guide de refend standard est utilisé.
- Déplacer le chariot lentement et avec précaution jusqu'à ce que le disque touche le carreau. Le disque doit avoir une chance de se roder légèrement. Il est possible que dix coupes soient nécessaires pour roder un disque et obtenir les meilleurs résultats.

5 Barre de verrouillage réglable avec protection de limite de profondeur



La barre de verrouillage (article 24) sert à régler la profondeur du disque durant le sciage. Elle comporte trois (3) trous à son extrémité inférieure. Ils servent de réglages de limite de profondeur et, s'ils sont utilisés avec le disque de diamètre correct, empêchent le disque d'entailler le chariot de roulement.

Trois trous dans la barre de verrouillage :

1. Le trou le plus bas doit être utilisé avec un disque de 254 mm (10 po) de diamètre.
2. Le trou du milieu doit être utilisé avec un disque de 203,2 mm (8 po) de diamètre.
3. Le trou le plus haut doit être utilisé avec un disque de 152,4 mm (6 po) de diamètre ou une fraise à profiler.

La **Paver Mate** est expédiée au réglage standard pour un disque de 254 mm (10 po). Pour changer ce réglage, repérer la vis à tête (article 26) servant de pivot ; desserrer et retirer l'écrou de blocage (article 23). Régler la barre de verrouillage (article 24) au trou approprié. Serrer les fixations pour que la barre de verrouillage (article 24) puisse pivoter. Vérifier le réglage en desserrant le bouton (article 27) et en abaissant complètement la tête dans la fente de la table. Le segment de disque doit être sous la surface de la table, mais ne doit pas entailler la table.

6

Dispositif manuel de protection contre les surcharges thermiques

Le moteur est muni d'un bouton de réarmement manuel du dispositif de protection contre les surcharges thermiques. Si le moteur surchauffe, le bouton rouge sort pour ouvrir le circuit du moteur, ce qui arrête le moteur et la pompe à eau. Dans ce cas, l'interrupteur MARCHE/ARRÊT du moteur doit être réglé sur ARRÊT. Une fois le moteur refroidi, enfoncer le bouton de réarmement. S'il reste enfoncé, le moteur peut être remis en marche.

7

Rallonges de cordon



Une bonne performance du moteur dépend d'une tension correcte. Les rallonges de cordon trop longues et/ou de petit calibre réduisent la tension du moteur sous charge. Ne pas utiliser de rallonges de plus petit calibre que celles indiquées dans le tableau ci-dessous.

MOTEUR		AMP. P.C.*		Cordon 50 pi		Cordon 75 pi		Cordon 100 pi	
HP	tr/mn	115V	230V	115V	230V	115V	230V	115V	230V
1-1/2	1725	14.4	7.2	#12	#14	#10	#14	#8	#14

8

Procédures d'alignement

La scie à tuiles et carreaux **Paver Mate** a été assemblée et alignée en usine avant son expédition afin de fournir des coupes précises dès le moment de sa livraison. Cependant, **FELKER®** ne pouvant contrôler la manutention au cours du transport, il est conseillé de vérifier l'alignement.

Si la scie paraît nécessiter un réglage, consulter la (ou les) section(s) appropriée(s) ci-dessous.

Il existe deux vérifications d'alignement élémentaires pour la scie **Paver Mate** et pour tout réglage effectué, les procédures ci-dessous doivent être suivies afin de s'assurer que l'outil fonctionnera librement.

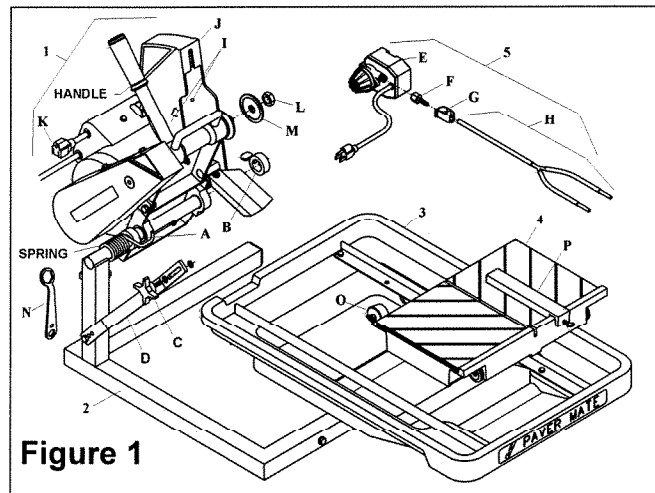


Figure 1

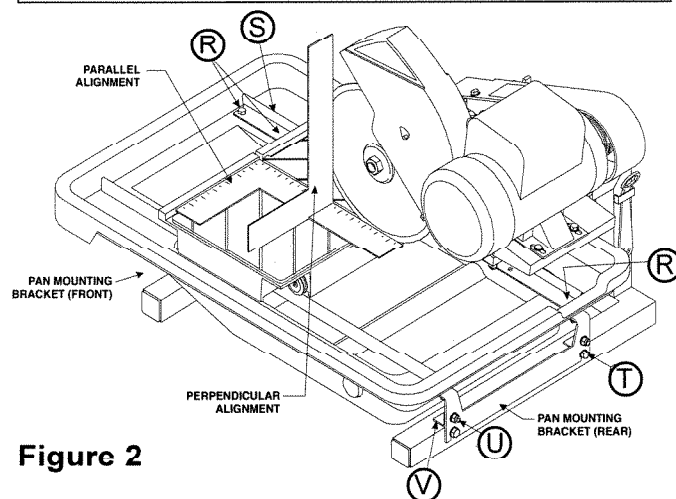


Figure 2

Outils de réglage nécessaires : équerre de charpentier, deux (2) clés de 7/16 po, une clé de 1/2 po et une clé hexagonale de 5/32 po.

1. Vérification de l'alignement du disque dans la fente

- * Le disque doit être centré dans la fente du chariot de transport.
- * Mettre la scie en place comme décrit ci-dessus et effectuer un chariotage d'avant en arrière du bac. Si le disque touche l'un des côtés de la fente, le réglage de l'emplacement de la tête de coupe doit être effectué. (Voir Figure 1)

Réglage de l'emplacement de la tête de coupe

- * L'ensemble de la tête de coupe (1) se trouve entre les colliers réglables (A-B). En utilisant la vis à oreilles sur le collier extérieur et une clé hexagonale de 5/32 po pour le collier intérieur, desserrer les deux colliers réglables. Déplacer l'ensemble de la tête le long de la barre à pivot, jusqu'à ce que le

disque soit au centre de la fente. Replacer les colliers réglables contre les côtés de la tête de coupe et resserrer leurs vis d'arrêt.

2. Vérification du parallélisme (Voir Figure 2)

- * Le chariot de transport doit se déplacer parallèlement au plan du disque.
- * Placer une équerre contre la butée arrière, en léger contact avec le disque. La surface du disque doit être parallèle à l'équerre, c'est-à-dire sans jeu entre le disque et l'équerre à l'avant comme à l'arrière du disque. Ensuite, en maintenant bien l'équerre, effectuer un chariotage d'avant en arrière. Le disque doit rester parallèle à l'équerre, en léger contact sur toute sa course. Si le disque ne reste pas en contact avec l'équerre, le réglage du parallélisme doit être effectué.

Réglage du parallélisme

- * Desserrer les six (6) fixations (R) de positionnement des deux (2) rails (S) de manière que les deux rails puissent se déplacer. Déplacer une (ou les deux) extrémité(s) d'un rail jusqu'à ce que l'équerre soit au ras du disque. Serrer les fixations de ce rail et revérifier l'alignement. Une fois l'alignement obtenu, avancer et reculer le chariot pour positionner le second rail. Serrer les trois fixations restantes.

3. Vérification de l'alignement perpendiculaire (Voir Figure 2)

- * Le plan vertical du disque doit être perpendiculaire (90 degrés) à la surface du chariot (avec une tolérance de ± 1 mm [1/32 po]).
- * Relever la protection du disque et, au moyen d'une équerre, vérifier que le plan vertical du disque est perpendiculaire à la surface du chariot. S'il existe un écart entre le haut ou le bas de l'équerre et le disque, effectuer l'alignement perpendiculaire.

Alignement perpendiculaire

- * Les deux (2) supports de montage (un à l'avant et l'autre à l'arrière) du bac sont fixés au châssis par quatre (4) vis à tête (T) et quatre (4) écrous de blocage (U) de façon que le bac repose à sa position la plus basse. À l'arrière du bac, déterminer le coin du bac le plus bas et régler le support d'alignement correspondant (V) de manière que le chariot soit perpendiculaire au disque. Resserrer l'écrou de blocage à ce coin.
- * Régler le niveau du bac selon le besoin avec le support d'alignement à l'avant, jusqu'à ce que le chariot roule uniformément le long des rails. Resserrer les écrous de blocage restants.

- Relever la protection de disque (J). Enlever l'écrou de tige (L) et le flasque extérieur (M). Enlever le disque de la scie à tuiles et carreaux, s'il a été installé.
- Installer la roue à profiler sur l'arbre fuselé, contre le flasque intérieur, surface de travail à l'extérieur.
- Fixer en place en inversant le flasque extérieur et en serrant l'écrou de tige. Rabaisser la protection de disque (J) par-dessus la roue.
- Positionner le matériau à profiler :
 1. Placer le bord de la pièce à mettre en forme parallèlement à la roue.
 2. Placer le matériau sous la roue. Tirer le chariot de transport (4) avec le matériau du dessous de la roue afin de régler la hauteur de coupe.
 3. Desserrer le bouton de verrouillage (C) et abaisser la tête de coupe (1) de façon que la fraise à profiler soit juste en contact léger avec le matériau.
 4. Assujettir la tête de coupe (1) en position avec le bouton de blocage (C) pour la coupe.

Remarque : Le profilage demande généralement plusieurs passes légères pour produire les meilleurs résultats. Régler plus bas à chaque passe jusqu'à obtention de la profondeur souhaitée.

10 Entretien



La scie à tuiles et carreaux **FELKER®** est une machine de construction robuste, conçue pour donner à long terme des performances satisfaisantes. Un simple entretien et des soins quotidiens ajouteront à la durée de vie et à la productivité de cette scie.

Après chaque journée de travail : **NETTOYER LA MACHINE!!**

- * Arrêter et débrancher la scie avant d'entreprendre l'entretien.
- * Tenir le dessus du chariot propre et exempt de résidus de coupe. Pour le nettoyer, rincer à grande eau la surface supérieure et les gorges.
- * Vidanger, nettoyer et remplir le bac fréquemment. Rincer le circuit de refroidissement avec beaucoup d'eau, puis vidanger et remplir le bac.
- * Si l'eau cesse de s'écouler, vérifier la pompe à eau pour s'assurer du libre mouvement de l'arbre et du rotor. Voir la section **PROCÉDURE DE DÉPANNAGE DE LA POMPE À EAU**.
- * Il est toujours bon de prendre l'habitude de nettoyer la scie à tuiles et carreaux après chaque journée d'utilisation. Vidanger l'eau et nettoyer le bac. Nettoyer les rails. Avant le remisage, il est sage d'enduire les rails ou de les vaporiser avec une huile soluble à l'eau (WD-40 ou équivalente).

9 Montage de la roue à profiler

La scie **Paver Mate** est conçue pour être utilisée avec une roue à profiler, telle que le modèle 621081 ou 621082.



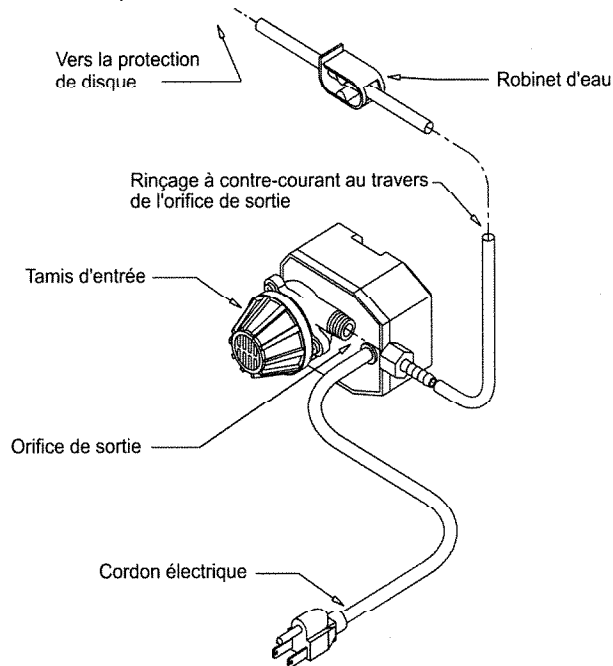
Confier toute réparation uniquement au concessionnaire agréé.

Si l'eau cesse de s'écouler,

1. Arrêter de scier, puis
2. Débrancher la fiche mâle de la prise, puis
3. Déposer la pompe, puis
4. Rincer à contre-courant.

Le rinçage à contre-courant consiste à forcer l'eau à entrer dans l'orifice de refoulement de la pompe et à en ressortir par le tamis. La plupart du temps, cette procédure est efficace et la pompe peut être remise en service (voir figure ci-dessous).

Si ce rinçage n'a aucun effet, enlever le tamis et tourner le rotor à la main, chercher les impuretés ou matériaux étrangers dans la cavité du rotor et rincer pour les chasser.



12 Réparations

Nous exécutons toutes les réparations dans les meilleurs délais possibles et aux prix les plus bas. (Voir la première page pour adresses et numéros de téléphone). Contactez votre fournisseur FELKER agréé pour entretien et réparations.

13 Pièces de rechange

Pour recevoir les pièces rapidement et éviter toute perte de temps, il est essentiel de reprendre les données qui figurent sur la plaquette signalétique fixée sur la machine et la référence de la pièce lors de chaque commande.

Inscrire ici le numéro de modèle et le numéro de série pour s'y référer ultérieurement :

Numéro de modèle : _____

Numéro de série : _____

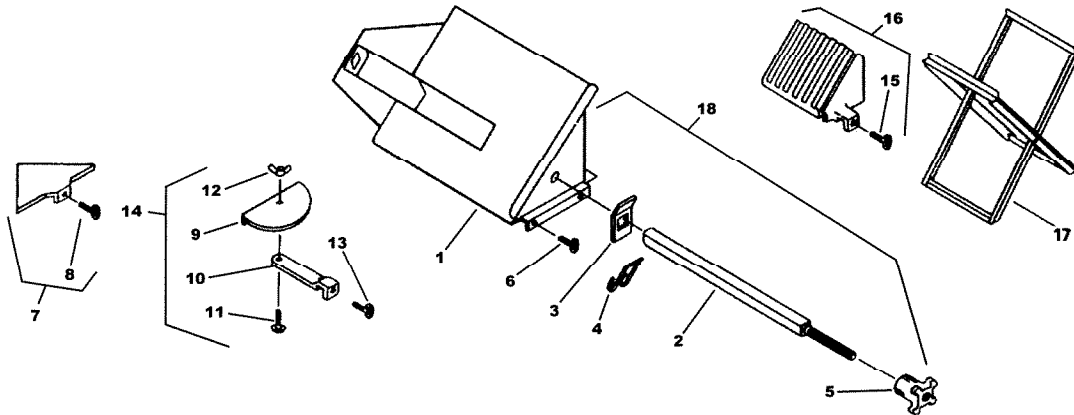
Les instructions d'utilisation et celles qui concernent les pièces de rechange sont données à titre indicatif uniquement et ne nous engagent aucunement. Dans le cadre de notre politique d'amélioration de la qualité de nos produits, nous nous réservons le droit d'opérer toutes les modifications techniques nécessaires sans préavis.



Le fabricant n'accepte aucune responsabilité causée par une mauvaise utilisation ou des modifications



14 Accessories



GUIDE-ÉQUERRE RAPPORTEUR

GUIDE D'ASSEMBLAGE À ONGLET DE PRÉCISION
PORTE-SCIE PLIANT

GUIDE D'ASSEMBLAGE, BORD ARRONDI

Liste de pièces :

Diag.	Réf. no.	Quantité	Description	Diag.	Réf. no.	Quantité	Description
1	050104	1	Cadre, onglet	10		1	Rapporteur, bras
2	050107	1	Barre, blocage	11		1	Boulon à tête bombée et collet carré, 1/4-20 x 5/8 po
3	050105	1	Clip, butée	12		1	Écrou papillon, 1/4 -20
4	050106	1	Ressort	13			
5	050103	1	Bouton	14	051010	1	Rapporteur
6	020598	2	Vis, oreilles 1/4 po – 20 x 1"	15	020598	1	Vis, oreilles 1/4 po – 20 x 1"
7	051020	1	Assemblage à onglet, 45°	16	051030	1	Support, guide, bord arrondi Bullnose)
8	020598	1	Vis, oreilles 1/4 po – 20 x 1"	17	051041	1	Porte-scie (tuiles et carreaux)
9		1	Rapporteur, tête	18	050102	1	Support, cadre à onglet

GUIDE DE REFEND : N/P 051000 – Le guide de refend est un accessoire standard fourni avec chaque scie à tuiles et carreaux. Il sert à assurer une position répétée pour des coupes de refend en attendant d'être repositionné. Ce guide se fixe sur la butée arrière usinée du chariot de transport.

RAPPORTEUR RÉGLABLE : P/N 051010 – Le rapporteur peut servir pour les coupes de refend à des angles connus. Il se fixe sur la butée arrière.

GUIDE-ÉQUERRE : P/N 051020 - C'est un onglet non réglable utilisé pour positionner rapidement le carreau à 45 degrés sur le côté gauche ou droit. Il sert souvent pour des coupes de refend en diagonale répétées. Il se fixe sur la butée arrière.

GUIDE D'ASSEMBLAGE À ONGLET, BORD ARRONDI : P/N 051030
- C'est un guide fixe qui permet de positionner le carreau pour une coupe en onglet de 45 degrés. Il se fixe sur la butée arrière.

GABARIT D'ASSEMBLAGE À ONGLET DE PRÉCISION : P/N 161480
- C'est un dispositif fixe à 45 degrés comportant une bride réglable servant à tenir le carreau pour la coupe en onglet. Il se fixe sur la butée arrière.

GUIDE-ÉQUERRE BOOMERANG (BOOMERANGLE) : P/N 169525
- Cet accessoire en plastique maintient le carreau à 45 degrés, positionnant ses deux bords. Utile pour effectuer des coupes en diagonale ou couper les coins uniformément. Il se fixe sur la butée arrière avec 2 vis à oreilles.

PORTE-SCIE PLIANT : P/N 051041 - Ce porte-scie monobloc stable permet de mettre la scie à tuiles et carreaux **FELKER®** debout pour faciliter le travail. Il se plie à plat de façon commode pour le remisage et le transport.

ESPECIFICACIONES

No. de Modelo:	PM-15HT
Básico Número De Ítem:	173316
Deluxe Número De Ítem:	
Potencia:	1-1/2 HP

Características de la Sierra Estandar

RPM Del Eje De La Hoja:	2800
Capacidad Del Protector De La Sierra:	10" (254 mm)
Profundidad Máx. De Corte:	3-3/4" (95 mm)
Tamaño Del Árbol:	5/8" (15,9mm)
Tamaño material máximo:	Realiza cortes diagonales de 14" (356 mm) en azulejos de 10" x 10" (254 x 254 mm)
Tipo de corte / tamaño:	2-3/4" (70 mm) con hoja de 8" (203 mm) 3-3/4" (95,3 mm) con hoja de 10" (254 mm)
Impulsor Del Eje De La Hoja:	Bandas J6 Poly-V de calidad superior (premium)
Cabezal de corte:	Cabezal pivotante de aluminio moldeado con cojinetes poliméricos auto-lubricados; puede ser pre-fijado, trabado o completamente ajustado a alturas variables.
Corte a plomo:	Cabezal pivotante, resorte de torsión y asa con soporte de goma que permiten fáciles cortes a plomo.
Refrigerante De La Hoja:	Agua
Mesa de corte:	El aluminio moldeado con tope de neopreno se mueve sobre resistentes ruedas transportadoras de acero. Dimensiones: 16" x 10-1/4" (406,4 x 260,4 mm)
Bomba de Agua:	Bomba de agua con capa epoxídica, de alta densidad, lubricante permanente
Spec.	115V, 60 Hz., 1-fase, 0,5 amperajes
Salida:	100 galones/hora (378 l/h)
Bandeja de agua:	Plástico ABS, acanalado
Capacidad:	5 galones (19 litros)
Peso Desembalado: lb (Kg)	92 (41.8)
<u>Agregar para: libras (kg) Artículos Opcionales</u>	
Soporte Doblable	25 (11.3)

Fuente De Alimentacion

Motor:	Baldor
	Elevado esfuerzo de torsión Motor de Electrica
Voltaje:	115
Circlos	60
Fase:	1
Amperaje Para Carga Elevada:	14.1

NOTA: Especificaciones pueden cambiar sin aviso previo.

¡SEGURIDAD ANTE TODO!



ADVERTENCIAS HACER y NO HACER

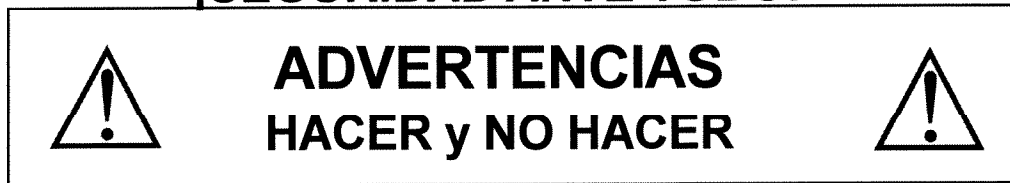


ADVERTENCIA: EL NO RESPETAR ESTAS ADVERTENCIAS E INSTRUCCIONES DE OPERACION PUEDE PROVOCAR GRAVES LESIONES O LA MUERTE.

HACER

- SI lea todo el manual antes de manejar esta máquina. Entienda todas las advertencias, instrucciones y controles.
- SI mantenga siempre las protecciones en su lugar y en buenas condiciones.
- SI siempre use protecciones aprobadas para los oídos, ojos, cabeza y respiración.
- SI lea y entienda todas las advertencias e instrucciones sobre la máquina.
- SI lea y entienda las definiciones de los símbolos que aparecen en este manual.
- SI mantenga todas las partes de su cuerpo alejadas de la hoja y de todas las piezas móviles.
- SI aprenda cómo parar la máquina rápidamente en caso de emergencia.
- SI ponga el interruptor en la posición OFF antes de corectarlo a la fuente de poda.
- SI verifique que la hoja, las bridas y los ejes no estén dañados antes de instalar la hoja.
- SI usar el tamaño de brida de hoja que se muestra para cada tamaño de hoja.
- SI usar el tamaño de brida de hoja que se muestra para cada tamaño de hoja..
- SI utilice hojas abrasivas, o bien, hojas diamantadas con centro de acero fabricadas para utilización en sierras para albañilería. Verifique la velocidad comprobando las rpm del eje de la hoja y el diámetro de las poleas.
- SI verifique la configuración del motor de la sierra, comprobando la velocidad (rpm) del eje de la hoja y los diámetros de las poleas.
- SI lea toda la literatura e instrucciones de seguridad que acompañan a la hoja utilizada con esta máquina.
- SI inspeccione cuidadosamente cada hoja antes de usarla. Si se observan señales de daño o desgaste poco común, **NO USE LA HOJA.**
- SI instale la hoja firmemente. Apriete la tuerca del eje con un aprietatuercas.
- SI asegúrese que la hoja y las bridas estén limpias y libres de tierra y suciedad antes de instalar la hoja en la sierra.
- SI utilice la hoja correcta para el tipo de trabajo que se vaya a ejecutar. En caso de dudas, consultar con el fabricante de la hoja.
- SI tenga cuidado y siga las instrucciones cuando cargue y descargue la máquina.
- SI maneje esta maquina solamente en lugares bien ventilados.
- SI Indique a las personas dónde situarse mientras la máquina está funcionando.
- SI establezca un programa de entrenamiento para todos los operadores de esta máquina.
- SI despeje el lugar de trabajo de personas innecesarias. No permita que nadie se sitúe delante o detrás de la hoja mientras el motor está funcionando.
- SI asegúrese que la hoja no esté haciendo contacto con ninguna cosa antes de arrancar el motor.
- SI tenga cuidado al levantar y transportar esta máquina.
- SI siempre amarre bien la máquina cuando la transporte.
- SI sea duidadoso y siga las intrucciones al instalar o transportar la máquina.
- SI deje que todos los trabajos de mantenimiento los haga personal especializado.
- SI asegúrese de enchufar las máquinas eléctricas a un circuito debidamente conectado a tierra.
- SI asegúrese que los cordones eléctricos sean del tamaño correcto y estén en buenas condiciones.
- SI sujete bien el material que está cortando.
- SI limpie la bandeja de agua frecuentemente.
- SI antes de instalar la hoja, verifique que el agujero del eje de la hoja coincida con el eje portaherramienta de la máquina.
- SI siempre buscar si hay cables eléctricos subterráneos antes de aserrar. En caso de dudas, llamar a la empresa de electricidad local.
- SI limpie la máquina diariamente.
- SI cumpla con el reglamento eléctrico de su localidad.
- SI tenga en cuenta el medio ambiente de la zona de trabajo. No exponga útiles eléctricos a la lluvia. No use útiles eléctricos en lugares húmedos.
- SI sea cuidadoso para evitar golpes eléctricos. Evite el contacto corporal con las superficies conectadas a tierra de protección (como tuberías, radiadores, refrigeradores, etc.).
- SI use el voltaje correcto y un cable de extensión adecuado. Nunca transporte la herramienta colgando del cable y nunca tire del cable para desenchufarlo. Aleje el cable del calor, aceite y de las aristas filudas.
- SI desenchufe los equipos cuando no los usa, antes de hacer mantenimiento y al cambiar accesorios.
- SI limpie y efectúe un mantenimiento cuidadoso para obtener un rendimiento mejor y más seguro. Siga las instrucciones al cambiar accesorios. Revise los cables del equipo con frecuencia y, si hay daños, hágalos reparar por un servicio autorizado.
- SI sólo corte en línea recta.
- SI sólo corte tan profundamente como las especificaciones del trabajo lo requieren.
- SI siempre entregar un ejemplar de este manual al usuario del equipo. Si se necesitan ejemplares adicionales, llamar SIN CARGO al 1-800-365-4003.

¡SEGURIDAD ANTE TODO!



ADVERTENCIA: EL NO RESPETAR ESTAS ADVERTENCIAS E INSTRUCCIONES DE OPERACION PUEDE PROVOCAR GRAVES LESIONES O LA MUERTE.

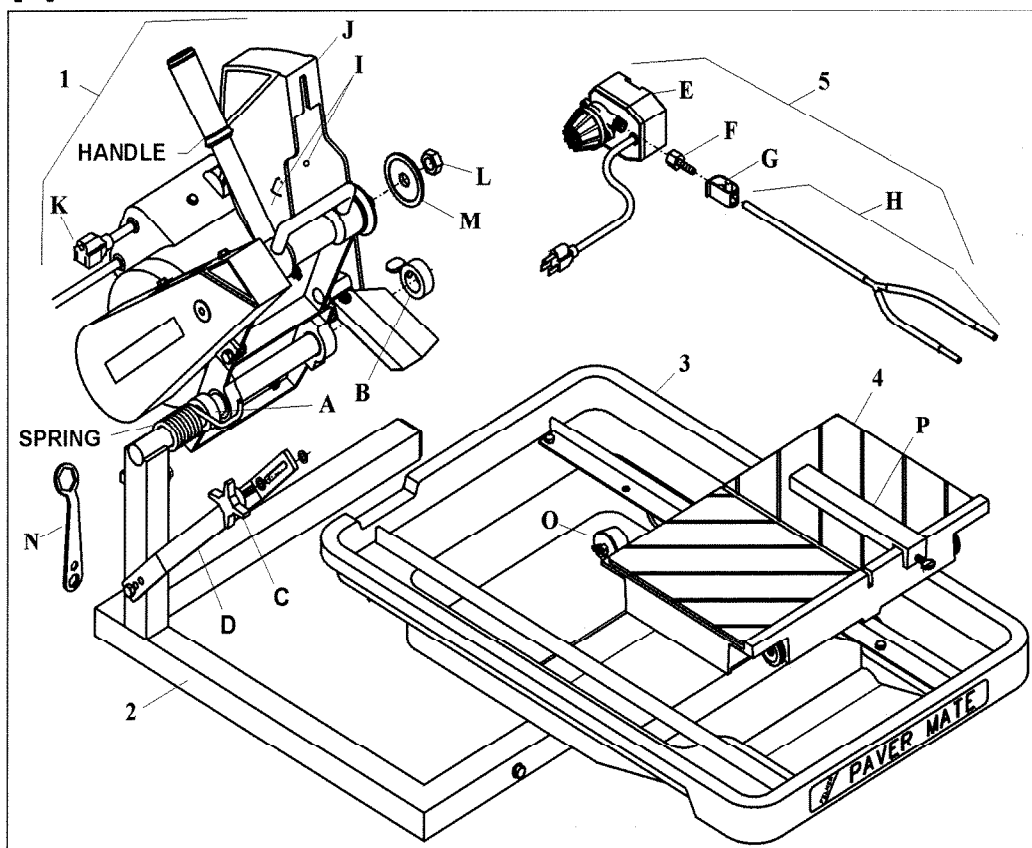
NO HACER

- NO** haga funcionar esta máquina sin antes haber leído y entendido este manual.
- NO** maneje esta máquina sin tener la protección de la hoja u otras protecciones instaladas en su lugar.
- NO** se sitúe detrás del paso de la hoja mientras el motor está funcionando.
- NO** deje esta máquina desatendida mientras el motor está funcionando.
- NO** maneje esta máquina si está cansado o fatigado.
- NO** utilice una hoja de corte húmedo sin tener el suministro adecuado de agua.
- NO** sobrepase la velocidad máxima indicada para cada tamaño de hoja. El exceso de velocidad puede causar la rotura de la hoja.
- NO** trabaje con la máquina si tiene dudas sobre su funcionamiento u operación.
- NO** utilice equipos u hojas que estén dañados.
- NO** toque ni trate de parar con las manos una hoja en movimiento.
- NO** incline, atasque, encaje o tuerza la hoja en el corte.
- NO** transporte una máquina de corte con la hoja instalada.
- NO** use un disco que haya sufrido un golpe o caída.
- NO** use discos con puntas de carburo.
- NO** use discos abrasivos.
- NO** utilice discos abrasivos con agua convencionales.
- NO** toque una hoja diamantada de corte en seco inmediatamente después de usarla. Estas hojas se demoran varios minutos en enfriarse después de cada corte.
- NO** use bridas de hojas que estén dañadas o desgastadas.
- NO** permita que nadie se acerque a la máquina durante la puesta en marcha o mientras la máquina está funcionando.
- NO** maneje esta máquina en un lugar encerrado a menos que tenga buena ventilación.
- NO** maneje esta maquina cerca de ningún objeto que sea inflamable. Las chispas podrían causar un incendio o una explosión.
- NO** permita que la hoja sobresalga más de 180 grados del protector.
- NO** maneje esta máquina sin el protector de la correa o de la hoja.
- NO** maneje esta sierra sin estar capacitado para hacerlo.
- NO** utilice una hoja que se ha sobrecalentado (el núcleo tiene un color azulado).
- NO** atasque el material contra la hoja.
- NO** deje los cordones eléctricos en o cerca del agua.
- NO** cambie el motor por alguno que no tenga una conexión especial de tierra de seguridad.
- NO** deje la máquina sola con el motor encendido.
- NO** usar esta sierra para hacer cortes en húmedo
- NO** esmerile con el costado de la hoja.
- NO** maneje la sierra si está bajo la influencia de drogas o bebidas alcohólicas.

Esta sierra fue diseñada para ciertas aplicaciones solamente. NO la modifique ni utilice para ninguna otra aplicación salvo aquéllas para las cuales fue diseñada. En caso de dudas respecto a su aplicación, NO use la sierra sin antes haber consultado por escrito a Diamant Boart, Inc. y haber recibido nuestras indicaciones.

Diamant Boart, Inc.
17400 West 119th
Olathe, Kansas 66061
USA: 1-800-365-4003

FIGURA 1



- | | |
|---|--|
| <ul style="list-style-type: none"> A. Collar de fijación B. Collar de fijación con tornillo de mariposa C. Perilla de Traba D. Barra de Fijación E. Bomba de Agua F. Lengüeta de Manguera G. Válvula de Agua H. Conjunto de Tubería para Agua I. Puertos de la Tubería para Agua J. Protector de la Hoja K. Receptáculo Eléctrico L. Tuerca del Eje de la Hoja M. Brida Externa de la Hoja N. Llave O. Tapa del Drenaje P. Guía para Corte Longitudinal | <ul style="list-style-type: none"> 1. Conjunto del Cabezal de Corte: Incluye el Conjunto de Tubería para Agua (H) 2. Conjunto del Marco 3. Conjunto de la Bandeja de Agua 4. Caja del Conjunto del Carro Transportador {Conjunto del Carro (4) y Guía para Corte Longitudinal (P)} 5. Caja de bomba de agua y accesorios: incluye la bomba de agua (E), punta de manguera (F), válvula de agua (G), llave de 5/16" (N), tapa de drenaje (O), collar de fijación con tornillo de mariposa (B), perilla de traba (C) y dos arandelas planas de 5/16". |
|---|--|

NOTA: SI ALGUNA DE LAS PIEZAS FALTA O ESTÁ DAÑADA, LLAME A SU DISTRIBUIDOR FELKER PARA QUE LE DEN INSTRUCCIONES. Llame al 1-800-365-4003

LISTA DE COMPROBACIONES PREVIAS A LA OPERACION



Antes de salir de la fábrica, todas las máquinas son probadas extensivamente. Siga nuestras instrucciones al pie de la letra y su máquina le brindará muchos años de servicio en condiciones normales de trabajo.



Lea todo este manual y familiarícese con el funcionamiento de la máquina antes de ponerla en marcha.

CON LA MÁQUINA EN UNA SUPERFICIE FIRME Y PLANA

1. Comprobar si la sierra está montada correctamente en la base, si se usara.
2. Llenar con agua y comprobar si el nivel de agua cubre la entrada de la bomba de agua.
3. Comprobar si el carro está situado en los rieles y se desplaza libremente.
4. Comprobar si la hoja está instalada correctamente y si la tuerca del eje de la hoja está bien apretada.
5. Comprobar si la hoja gira en el sentido contrario a las agujas del reloj (en inglés CCW).
6. Asegurarse de que el cable de alimentación esté enchufado a un circuito debidamente puesto a tierra y de que cumpla con los requisitos de corriente eléctrica.

LISTA DE REVISIONES DESPUES DE 1/2 A 1 HORAS DE FUNCIONAMIENTO:



¡Poner SIEMPRE la sierra sobre una superficie plana con el interruptor en la posición "OFF" y el cable de alimentación desenchufado!

1. Comprobar la tuerca del eje de la hoja.
2. Comprobar la tensión de la correa en V si se nota algún deslizamiento. ¡NO sobretensionarla!
3. Mantener la parte superior del carro limpia y libre de virutas.
4. Drenar, limpiar y rellenar la bandeja frecuentemente. Lavar el sistema de refrigeración con agua abundante, luego drenar y rellenar la bandeja.

REFERENCIA RAPIDA DEL MANTENIMIENTO PROGRAMADO



Antes de realizar cualquier mantenimiento, poner SIEMPRE el interruptor en la posición "OFF" y desenchufar la sierra.

MANTENIMIENTO DIARIO:

1. Es siempre una buena práctica limpiar la sierra para baldosas después de haberla usado durante un día.
2. Drenar el agua y limpiar el platillo.
3. Inspeccionar el colador de la bomba de agua y limpiar si fuera necesario.
4. Para mayor protección, quitar la hoja antes de transportar la sierra.
5. Limpiar el exceso de agua.
6. Guardar la sierra en un lugar seco y seguro.

NOTA: Consulte el manual del motor para información detallada.



OBLIGATORIO



INDICACION
INFORMACION
INSTRUCCIONES



ADVERTENCIA



PROHIBITION

Estos avisos le dan consejos
para su seguridad.



Antes de salir de la fábrica, todas las máquina
son probadas extensivamente.

Siga nuestras instrucciones al pie de la letra y su
máquina le brindará muchos años de servicio en
condiciones normales de trabajo.

1

Característica

Uso: Corte de cualquier clase de azulejo, de hasta 14"
(356 mm) de diagonal en un azulejo de 10" x 10"
(254 x 254mm).

Herramientas: La Guía para Corte Longitudinal es un
accesorio convencional en todas las sierras para
azulejos. Hojas diamantadas - Enfriadas por agua,
diám.: un máximo de 10" (254 mm); diámetro
interior: 5/8" (22,1 mm)

*(Para obtener información sobre la disponibilidad de otros
accesorios, póngase en contacto con su proveedor Felker.)*

Capacidad de la Hoja: Diámetro del Aro Ø 10" (254 mm)
Diámetro interno del cilindro 5/8" (15,9 mm)

Rueda Perfiladora: Diámetro del Aro Ø 7" (180 mm)
Diámetro interno del cilindro 5/8" (15,9 mm)

Rotación de la Hoja: Sentido anti-horario
(CCW, por sus siglas en inglés)

Profundidad de Corte:

2-3/4" (70 mm) con hoja de 8" (203 mm)

3-3/4" (95 mm) con hoja de 10" (254 mm)



Antes de poner en marcha la máquina,
asegúrese de leer todo este manual y
familiarícese con el funcionamiento de esta
máquina.



El lugar de trabajo debe estar totalmente
despejado, bien iluminado y totalmente libre
de riesgos para la seguridad.



El operador debe usar ropa
protectora adecuada para el
trabajo que está realizando.



Toda persona ajena al trabajo debe retirarse
del lugar.



Use solamente hojas marcadas con una
velocidad máxima de funcionamiento mayor
que la velocidad del eje de la hoja.

2

Beneficio

- El nuevo y mejorado protector de la hoja ofrece una simplificada instalación y desarmado de la hoja - un máximo de 10" (254 mm) de capacidad de la hoja. El conjunto de la tubería externa para agua es removible para facilitar el mantenimiento.
- 1-1/2 HP, de motor de 115V/60/1 en la sierra convencional.
- La confiable bomba para líquido enfriador, sumergible y de elevado volumen, presenta una toma con pantalla.
- Los cables del motor y de la bomba están montados de manera segura directamente dentro de la carcasa del motor (K).
- La removible Tapa del Drenaje (O) en el extremo posterior de la bandeja permite un fácil drenaje del líquido enfriador y una pronta limpieza de los residuos. La Bandeja de Agua (3) es removible para facilitar su limpieza.
- El Carro Transportador (4) de rodamiento libre está alineado para permitir cortes rectos y limpios. La Parada Posterior con una regla facilita el rápido montaje y ajuste de la cerca para corte longitudinal y de los accesorios opcionales.
- Protector y escudo de la cinta de tamaño completo.
- El laminado especial de caucho de la superficie extiende la vida del carro y ayuda a controlar el trabajo.
- Realiza cortes longitudinales de 14" (356 mm) en material de 3" (77 mm) de espesor.
- Fácil corte a plomo, usando el conveniente asa en el cabezal de corte pivotante asistido por resorte.

3

Instalación De La Cortadora

- Saque todos los artículos de la caja de embalaje e identifique:
 1. El Conjunto del Cabezal de Corte: Incluye el Conjunto de Tubería para Agua (H).
 2. El Conjunto del Marco.
 3. El Conjunto de la Bandeja de Agua.
 4. La Caja del Conjunto del Carro Transportador {Conjunto del Carro (4) y Guía para Corte Longitudinal (P)}.
 5. Caja de la Bomba de Agua y Accesorios: {Incluye marcadores de azulejos, Bomba de Agua (E), Lengüeta de Manguera (F), Válvula de Agua (G), Llave de 15/16" (N), Tapa del Drenaje (O), Collar de fijación con tornillo de mariposa (B), perilla de traba (C) y dos arandelas planas de 5/16"}

6. El Sobre del Conjunto del Material Escrito.

NOTA: Verifique la caja y todo el material de relleno de la caja para detectar piezas sueltas y accesorios opcionales (si fueron pedidos).

NOTA: SI ALGUNA DE LAS PIEZAS FALTA O ESTÁ DAÑADA, LLAME A SU DISTRIBUIDOR FELKER PARA QUE LE DEN INSTRUCCIONES. Llame al 1-800-365-4003

- Coloque el Conjunto del Marco (2) sobre una superficie plana o sobre un soporte doblable **Felker^{MR}**.
- Instale el Conjunto del Carro (4) con la Parada Posterior en el extremo operativo. Verifique que todas las cuatro ruedas estén sobre los rieles y que el mismo se mueva libremente hacia adelante y hacia atrás.

Instale el Conjunto del Cabezal de Corte (1):

1. Deslice el conjunto del cabezal de corte pivotante (1) dentro de la barra pivotante, contra el collar de fijación interno (A). El collar de fijación ha sido pre-establecido en fábrica para alinear la hoja con la ranura en el centro del carro; el mismo puede ser ajustado si es necesario.
2. Ubique el conjunto de cabezal de corte pivotante lateral en el brazo del resorte de torsión.
 - A. Fije el lazo del resorte de torsión (en la pata próxima al marco) alrededor de la abrazadera de 5/16" en el poste vertical del marco de la sierra.
 - B. Eleve el conjunto del cabezal, girándolo hacia atrás lo suficiente como para deslizar la otra pata del resorte debajo del borde al costado de la placa del motor.
 - C. Gire el cabezal hacia abajo, contra la resistencia del resorte, a una posición casi nivelada.
3. Inserte la Perilla de Traba (C) con una arandela plana de 5/16" a través de la Barra de Fijación (D) ranurada dentro del orificio taladrado en el protector de la cinta. Esto se usa para sostener el cabezal pivotante contra el resorte y para fijar la profundidad de corte de la hoja.
4. Instale el collar de fijación externo (B) arriba, contra el otro costado del cabezal pivotante y apriete el tornillo de mariposa.

Armado del Conjunto de la Bomba de Agua (5):

1. Saque la Bomba de Agua (E), la Lengüeta de Manguera (F), la Válvula de Control del Agua (G) y el Conjunto de Tubería para Agua (H) de su caja. Ensarte la Lengüeta de Manguera (F) en la salida de la bomba de agua; apriete con la mano.
2. Deslice la Válvula de Control (G) sobre la tubería flexible de plástico y empuje el extremo abierto sobre la Lengüeta de Manguera (F).
3. Coloque el Conjunto de la Bomba de Agua (5) en el extremo profundo de la bandeja por debajo del protector de la cinta. **Nota: La pantalla de la toma de la bomba de agua debe estar sumergida de manera que pueda recoger apropiadamente el**

agua.

4. Ubique el Conjunto de la Tubería para Agua (H) detrás del Protector de la Hoja (J) y coloque las dos mangueras de plástico de 1/4" dentro de los Puertos (I) al lado del Protector de Hoja (J). Para prevenir interferencia con el movimiento total del carro, se recomienda que la tubería y el cable eléctrico salgan de la parte posterior a través del área indentada de la bandeja.
5. Inserte la tapa macho dentro del Receptáculo (K) del motor. La Bomba de Agua arrancará cuando se **Encienda ("ON")** el motor. Para cortes en seco, la bomba de agua debería ser desenchufada o sacada para evitar que la misma se dañe.

NOTA: EL ENCHUFE DE LA BOMBA DE AGUA DEL MOTOR NO SE DEBE USAR COMO UN ENCHUFE DE CONVENIENCIA PARA USOS MÚLTIPLES. SÓLO SE DEBE USAR PARA CONECTAR LA BOMBA DE AGUA PROPORCIONADA.

NORMAS DE SEGURIDAD Y MANTENIMIENTO DE LA BOMBA DE AGUA

Conecte siempre el cable de alimentación de la sierra a un enchufe GFCI siempre que la use. Si no dispone de un enchufe GFCI, use un enchufe del tipo GFCI conectado a una toma de contacto con la puesta a tierra apropiada. No use ningún adaptador de enchufe temporal.



- La bomba de agua está equipada con un enchufe eléctrico puesto a tierra para reducir el riesgo de una posible sacudida. Tenga cuidado de conectarlo a un receptáculo debidamente puesto a tierra.
- No saque nunca la bomba de agua fuera del agua mientras esté enchufada.
- **NUNCA** use la bomba de agua para bombear otro líquido que no sea agua.
- No efectúe nunca el servicio de la bomba mientras esté enchufada.
- No deje nunca que la bomba opere en seco. La bomba se auto-refrigera bombeando agua. Si se usa en seco puede ocasionar averías en la bomba.
- Haga un mantenimiento regular y elimine los fragmentos que se acumulen en la pantalla de admisión.
- Compruebe si el cable de alimentación tiene cortes o deshilachados y no trate nunca de alterar el cable de alimentación de ninguna forma.

Instale la Hoja de Corte:



Siempre fije la Perilla del Motor en la posición de APAGADO ("OFF") antes de montar la hoja.

1. Asegúrese de usar la hoja correcta para el material que está siendo cortado. Por ejemplo, existen disponibles hojas para cortar materiales tales como azulejos para paredes, losas de cantera, mármol, pizarra y materiales duros similares. Para obtener los mejores resultados,

siempre use hojas diamantadas genuinas **FELKER^{MR}**. Póngase en contacto con su proveedor más cercano para seleccionar la hoja correcta para sus necesidades específicas de corte.

2. Rote el Protector de la Hoja (J) completamente hacia arriba, apretando la tuerca mariposa, de ser necesario, para sostenerlo en la posición totalmente elevada.
3. Saque la Tuerca del Eje de la Hoja (L) y la Brida Externa de la Hoja (M).
4. Verifique la rotación anti-horaria (CCW) de la hoja e instálela en el eje del portaherramientas.



La dirección de la rotación es indicada por medio de una flecha en un costado de la hoja. Asegúrese que las superficies de contacto de la hoja estén limpias.

5. Instale la brida externa con el diámetro grande contra la hoja. Apriete la Tuerca del Eje de la Hoja (L) con la Llave (N) de 15/16" que se proporciona.
 6. Descienda el Protector de la Hoja (J) y vuelva apretar la tuerca mariposa para sostener de manera segura el protector en su sitio.
- Instale la Tapa del Drenaje (O) dentro de la parte posterior de la bandeja y llénela con agua limpia hasta que el filtro de la toma de la bomba de agua esté cubierto; aproximadamente 5 galones (19 litros).

4 Instrucciones De Operación



ADVERTENCIA: Lea todo el Procedimiento Operativo antes de hacer funcionar su sierra para azulejos.



ADVERTENCIA: Tenga en cuenta las condiciones de trabajo desde el punto de vista de la salud y la seguridad.



Siempre preste extremo cuidado y atención a la preparación de la máquina antes de arrancarla.



Saque todas las llaves y herramientas de la máquina.



Siempre mantenga el protector en su lugar.

- Llene la Bandeja con suficiente agua para sumergir completamente la pantalla de la bomba de agua. Se requieren aproximadamente 5 galones (19 litros) para llenar la Bandeja.
- Antes de conectar el cable eléctrico:
 - * Verifique la tuerca del portaherramientas para asegurarse que esté bien apretada y que la hoja rote libremente.



ADVERTENCIA: Verifique que la perilla de ENCENDIDO/APAGADO ("ON/OFF") esté en la posición de APAGADO ("OFF"). Luego conecte el cable eléctrico a un tomacorriente del voltaje correcto, conectado apropiadamente a tierra. Vea los requerimientos de energía en la calcomanía que está cerca del cable eléctrico. De ser necesario, use el cable prolongador de tres (3) conductores del tamaño correcto para evitar la excesiva caída del voltaje. Refiérase a la tabla de los Cables Prolongadores Recomendados, en la página 29.



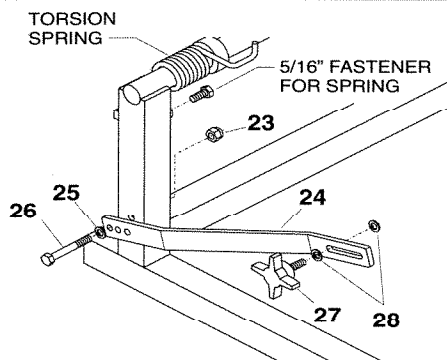
- Gire la perilla a la posición de ENCENDIDO ("ON"). La hoja debería girar en sentido anti-horario cuando (CCW) se mire el costado del protector de la hoja. La bomba de agua arrancará automáticamente cuando arranque el motor. El ajuste de la provisión de agua puede ser hecho por medio de la Válvula de Control (G).
- Siga las recomendaciones del fabricante de la hoja para realizar cortes en seco o húmedos. Las hojas para corte húmedo pueden ser dañadas o destruidas si no hay suficiente agua. Solamente las hojas específicamente diseñadas para cortes en seco pueden ser usadas sin enfriador.



La provisión de agua debería ser adecuada, con agua fluyendo a ambos lados de la hoja. Mantenga el agua limpia y asegúrese que EL NIVEL DE AGUA ESTE SIEMPRE POR ENCIMA DE LA TOMA DE LA BOMBA. ¡No haga funcionar la bomba de agua en seco! Desenchúfela para cortes en seco.

- Para cortes rectos, posicione el azulejo en forma encuadrada contra el borde posterior del carro transportador. Mantenga el carro limpio y libre de cortes. La guía convencional para corte longitudinal es usada.
- Mueva lenta y cuidadosamente el carro transportador hasta que la hoja esté en contacto con el azulejo. La hoja necesita una oportunidad para "forzar" o "desgastar" levemente. Puede llevar hasta cerca de diez cortes el abrir una nueva hoja para obtener un mejor corte.

5 Barra Ajustable Para Protección de la Profundidad de Corte



Una barra ajustable (item 24), permite variar la profundidad de corte del disco al cambiar de diámetro de disco. Esta barra tiene tres (3) orificios en el extremo inferior. Sirven como topes para la profundidad de corte que, al usarlos con el diámetro correcto de disco, impiden que el carro de corte sea tocado por el disco.

1. El orificio inferior se usa con discos o muelas de perfilado de diámetro 10".
2. El orificio central sirve para discos de diámetro 8".
3. El orificio superior se usa con discos de diámetro 6".

La cortadora **PAVER MATE** se envía de fábrica preparada para cortar con discos de 10". Para cambiar este ajuste, busque el tornillo (item 26) usado como pivote, suelte y retire la tuerca (item 23). Fije la barra (item 24) en el orificio adecuado. Apriete el pasador de manera que la barra pueda girar libremente. Controle el ajuste soltando la perilla (item 27) y bajando totalmente el cabezal hasta el carro. El segmento diamantado debe entrar bajo el nivel del carro, pero no debe tocarlo.

6 Protector Térmico - Rearmado Manual

El motor está equipado con un botón de reajuste manual de la protección contra sobrecargas. Si el motor se sobrecalienta, el botón rojo de reajuste "saltará" para abrir el circuito del motor, parando el motor y la bomba de agua. Si ocurre eso, la perilla de ENCENDIDO/APAGADO ("ON/OFF") debe ser fijada en la posición de APAGADO ("OFF"). Después que el motor se enfríe, apriete hacia adentro el botón de reajuste. Cuando permanece adentro, el motor puede volver a arrancarse.

7 Cables De Extensión



El buen desempeño del motor depende del voltaje apropiado. Los cables prolongadores que son demasiado largos y/o demasiado pequeños en calibre del cable reducen el voltaje al motor bajo carga. Use cables prolongadores no más pequeños de lo que se indica a continuación.

Motor HP	RPM	Amperaje F.L.		Cable de 50'		Cable de 75'		Cable de 100'	
		115V	230V	115V	230V	115V	230V	115V	230V
1-1/2	1725	14,2	7,2	#12	#14	#10	#14	#8	#14

8 Procedimientos de Alineación

Su sierra para azulejos **PAVER MATE** es armada y alineada en fábrica antes de su envío para asegurar cortes precisos cuando su sierra le es entregada. Sin embargo, como **FELKER^{MR}** no puede controlar la manipulación ruda durante el envío, se sugiere que se verifique la alineación. Si se encuentra que la sierra necesita ajustes, refiérase a la(s) sección(es) apropiada(s) de más abajo.

Hay dos verificaciones básicas de la alineación para la **PAVER MATE** y cualquier ajuste hecho debe seguir estos procedimientos para asegurar que la unidad funcione libremente.

Herramientas requeridas para el ajuste: Escuadra de Carpintero, dos (2) llaves de 7/16", llave de 1/2" y llave hexagonal de 5/32".

1. Verifique la Alineación en la Ranura

- * La hoja debería estar centrada en la ranura del carro transportador.
- * Arme su sierra como se describe más arriba y mueva el carro transportador de ida y de vuelta desde el frente hasta la parte posterior de la bandeja. Si la hoja entra en contacto con cualquiera de los costados de la ranura, se debe efectuar el Ajuste de la Ubicación del Cabezal de Corte. (Ver la Ilustración).

Ajuste de la Ubicación del Cabezal de Corte

- * El Conjunto de Cabezal de Corte (1) está ubicado entre dos Collares de Sujeción (A-B). Usando el tornillo de mariposa en el collar externo y una llave hexagonal de 5/32" para el interno, afloje los dos collares de fijación. Mueva el conjunto del cabezal a lo largo de la barra pivotante hasta que la hoja esté en el centro de la ranura. Vuelva a ubicar los collares de fijación contra los costados del cabezal de corte y vuelva a apretar sus tornillos.

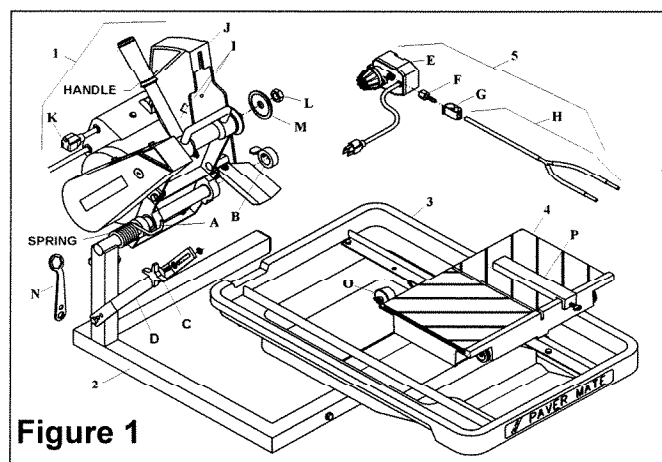


Figure 1

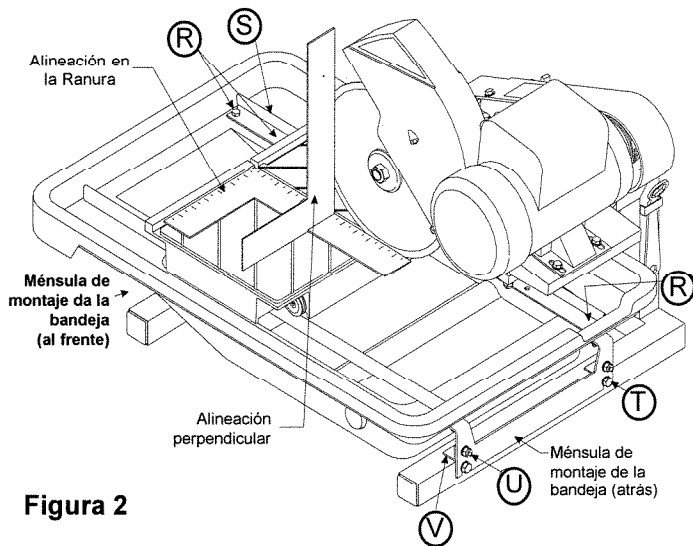


Figura 2

2. Verifique la Alineación Paralela (Ver Ilustración)

- * El carro transportador debería viajar en forma paralela al plano de la hoja.
- * Coloque una regla de escuadría contra el tope de detención, ligeramente en contacto con la hoja. La superficie de la hoja debería estar paralela a la escuadra; es decir, sin espacio entre la hoja y la escuadra, ya sea en el borde frontal o posterior de la hoja. Luego, sosteniendo firmemente la escuadra, haga que el carro recorra su trayectoria de lado a lado. La hoja debería permanecer paralela a la escuadra, quedando en ligero contacto con ella a lo largo de todo su recorrido. Si la hoja no permanece en contacto con la escuadra, se debe realizar la alineación Paralela.

Alineación Paralela

- * Afloje las seis (6) abrazaderas (R) localizando los dos (2) carriles (S) de manera que ambos carriles estén libres para moverse. Mueva el (los) extremo(s) del uno (1) carril hasta que la escuadra esté nivelada con la hoja, tal como se describe más arriba. Apriete las abrazaderas de este carril y vuelva a verificar la alineación. Una vez que se ha realizado la alineación, mueva el carro de lado a lado para localizar el segundo carril paralelo al primero. Apriete las tres abrazaderas restantes.

3. Comprobar la Alineación Perpendicular (ver Ilustración 2)

- * El plano vertical de la hoja debería ser perpendicular (90 grados) a la superficie del carro [dentro de una distancia de $\pm 1/32"$ (1mm)].
- * Eleve el protector de la hoja y, usando una escuadra. Comprobar el plano vertical de la hoja perpendicular a la superficie del carro. Si hay un espacio entre la parte superior o inferior de la escuadra y la hoja, se debe realizar la alineación perpendicular.

Alineación perpendicular

- * Las dos (20) ménsulas de montaje (una al frente y otra atrás) del conjunto de la bandeja se ajustan al bastidor con cuatro (4) tornillos de cabeza (T) y con las cuatros (40) tuercas de seguridad (U), de

modo que el conjunto de la bandeja descansa en su posición más baja. En la parte posterior de la bandeja, determine la esquina más baja de la bandeja y ajuste la correspondiente ménsula de alineación (V) hasta que el carro se asiente en forma perpendicular a la hoja. Vuelva a apretar la tuerca de seguridad en esta esquina.

- * Nivele la bandeja, en la medida que sea necesario hacerlo, con la ménsula de alineación del frente hasta que el carro ruede parejamente a lo largo de los carriles. Vuelva a ajustar las tuercas de seguridad que quedan.

9 **Armado y Uso de la Rueda Perfiladora**

El PAVER MATE está diseñado para ser usado con una Rueda Perfiladora FELKER^{MR} de 6", tal como la P/N 621081 y 621082.

- Eleve el Protector de la Hoja (J). Saque la Tuerca del Portaherramienta (L) y la Brida Externa (M). Saque la hoja de la sierra para azulejos si se ha instalado una.
- Instale la rueda perfiladora sobre el eje del portaherramientas, contra la brida externa y con la superficie de trabajo hacia afuera.
- Asegúrela en su lugar, revirtiendo la brida externa y apretando la Tuerca del Portaherramientas (L). Descienda el Protector de la Hoja (J) hacia atrás sobre la rueda perfiladora.
- Ubique el material para el perfilado:
 1. Coloque el borde de la pieza a la que se dará forma en posición paralela a la rueda.
 2. Ubique el material bajo la rueda. Estire el Carro Transportador (4) con el material de bajo de la rueda para fijar la altura apropiada de corte.
 3. Afloje la Perilla de Traba (C) y descienda el Cabezal de Corte (1) de manera que la rueda esté en ligero contacto con el material.
 4. Asegure el Cabezal de Corte (1) en posición con la Perilla de Traba (C) para el corte.

Nota: El perfilado usualmente lleva varias pasadas para producir los mejores resultados. Fije en una posición más baja cada vez hasta que se haya alcanzado la profundidad deseada.

10 **Instrucciones de Mantenimiento**



Antes de efectuar cualquier mantenimiento, SIEMPRE coloque la máquina en una superficie plana con el motor APAGADO ("OFF") y desconecte la energía eléctrica. ¡Deje que la máquina se enfríe!

Su sierra para azulejos FELKER^{MR} es una máquina de robusta construcción, diseñada para proporcionar un largo y satisfactorio desempeño. El simple mantenimiento y cuidado diario le añadirá vida útil y productividad a su sierra.

Después de cada jornada de uso: **¡LIMPIE LA MAQUINA!**

- * Apague y desenchufe la sierra antes de efectuar cualquier mantenimiento.
- * Mantenga la parte superior del carro limpia y despejada para los cortes. Para limpiar, enjuague con agua la superficie y las muescas.
- * Drene, limpie y vuelva a llenar la bandeja frecuentemente. Enjuague el sistema de enfriamiento con bastante agua, luego drene y vuelva a llenar la bandeja.
- * Si el flujo de agua se detiene, inspeccione la bomba de agua para ver si el eje y el rotor giran libremente. Vea la sección **PROCEDIMIENTO PARA DETECCIÓN DE PROBLEMAS DE LA BOMBA DE AGUA**.
- * La limpieza de su sierra para azulejos después de cada jornada de uso siempre es una buena práctica. Drene el agua y limpie la bandeja. Limpie los carriles. Antes de guardarla, es una buena práctica enjuagar o rociar los carriles con aceite soluble en agua (como el WD-40 ó su equivalente).



Confíe todas las reparaciones a su distribuidor autorizado solamente.

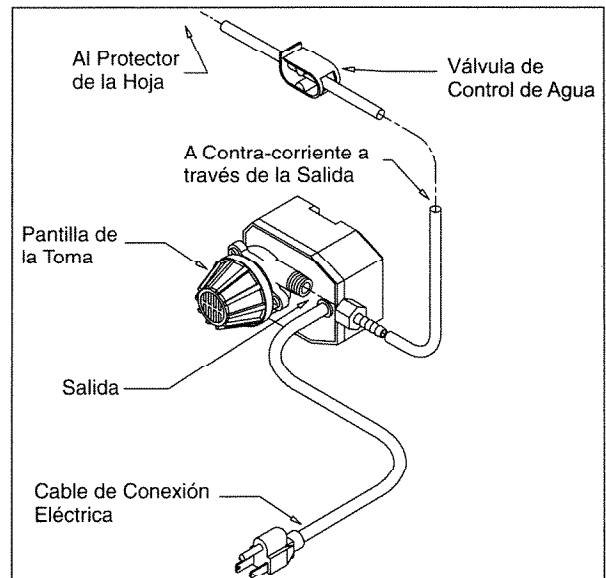
11 En Caso De Problemas Con La Bomba De Agua

Si deja de fluir agua,

1. **Pare de cortar**, luego
2. **Desconecte el enchufe eléctrico del tomacorriente**, luego
3. **Saque la bomba**, luego
4. **Limpie a contracorriente**

La limpieza a contracorriente se realiza forzando agua dentro de la descarga de la bomba y hacia afuera de la pantalla. La mayoría de las veces, este procedimiento funciona y la bomba puede ser puesta de nuevo en servicio. (Ver la figura)

Si la limpieza a contracorriente no funciona, saque el filtro y gire el rotor manualmente, buscando y enjuagando cualquier suciedad u objeto extraño de la cavidad del rotor para liberarla de los mismos.



12 Reparaciones

Efectuamos todas las reparaciones en el tiempo más corto posible y a los precios más económicos. (Ver nuestra dirección y números telefónicos en la portada). Comunicarse con el concesionario autorizado **Felker^{MR}** respecto a los trabajos de mantenimiento y reparación.

13 Piezas De Repuesto

Para la obtención rápida de piezas de repuesto y evitar cualquier pérdida de tiempo, es esencial proporcionar con cada pedido los datos que aparecen en la chapa del fabricante fijada a la máquina, además de los números de pieza de la máquina y la descripción de la pieza a ser reemplazada.

No. De Modelo: _____

No De Serial: _____

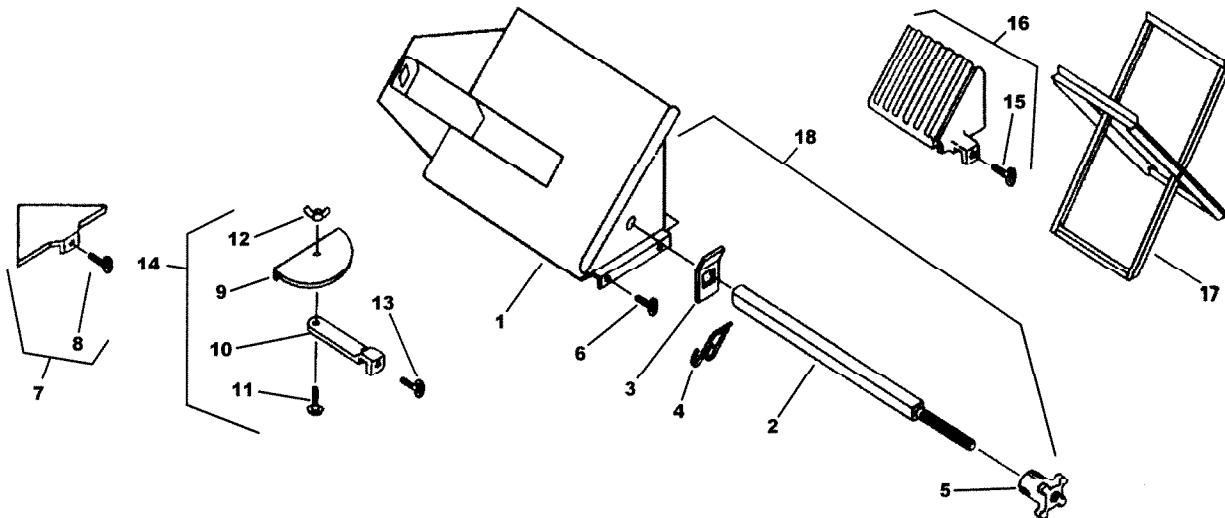
Las instrucciones de uso y las piezas de recambio presentadas en este documento son solamente para información y no constituyen obligación ninguna. Como parte de nuestra política de mejoramiento de la calidad de nuestros productos, nos reservamos el derecho de hacer cualquiera y todas las modificaciones técnicas sin previo aviso.



¡El fabricante no acepta ninguna responsabilidad por accidentes debidos al uso indebido o modificaciones hechas a la maquina!



14 Accesorios



Guía de Angulos

Transportador de Angulos

Soporte para Corte Diagonal de Precisión

Bullnose

Soporte Doblable

Parts List:

Diag.	Pieza No.	Req.	Descripcion	Diag.	PiezaNo.	Req.	Descripcion
1	161479	1	Marco, Escuadra Diagonal	10		1	Brazo del transportador de ángulos
2	050107	1	Barra, de Fijación	11	020011	1	Perno, Carro, 1/4"-20x5/8"
3	050105	1	Sujetador, de Detención	12	020244	1	Tuerca de mariposa
4	050106	1	Resorte	13	020598	1	Tornillo, de Mariposa, 1/4" - 20 x 1"
5	050103	1	Perilla	14	051010	1	Conjunto Transportador de Angulos
6	020598	2	Tornillo, de Mariposa, 1/4" - 20 x 1"	15	020598	1	Tornillo, de Mariposa, 1/4" - 20 x 1"
7	051020	1	Conjunto de Escuadra Diagonal, 45°	16	051030	1	Conjunto Sostenedor, Bullnose
8	020598	1	Tornillo, de Mariposa, 1/4" - 20 x 1"	17	051041	1	Soporte, Sierra para Azulejos
9		1	Cabezal del transportador de ángulos	18	050102	1	Conjunto de Apoyo, Marco de Escuadra

GUIA PARA CORTE LONGITUDINAL: P/N 051000 - La Guía para Corte Longitudinal es un accesorio convencional, proporcionado con cada sierra para azulejos. Es usada para proporcionar una posición repetitiva para cortes longitudinales hasta que sea relocalizada. La Guía para Cortes Longitudinales se abraza a la parada posterior maquinada del carro transportador.

TRANSPORTADOR DE ANGULOS AJUSTABLE: P/N 051010 - El Transportador de Angulos puede ser usado para cortar longitudinalmente ángulos conocidos. El transportador de ángulos se abraza a la parada posterior.

GUIA DE ANGULOS: P/N 051020 - Esta es una escuadra no ajustable usada para posicionar rápidamente al azulejo a 45 grados, ya sea en el lado izquierdo o en el derecho. Es a menudo usada para repetitivos cortes longitudinales en diagonal. La Guía de Angulos se abraza a la parada posterior.

GUIA DIAGONAL: P/N 051030 - Esta es una guía fija que posiciona al azulejo para un corte en diagonal a 45 grados. La Guía Diagonal se abraza a la parada posterior.

SOPORTE PARA CORTE DIAGONAL DE PRECISION: P/N 161480 - Este es un dispositivo a 45 grados que tiene una abrazadera ajustable para sostener el azulejo cuando se efectúan cortes diagonales. El Soporte para Corte Diagonal de Precisión se abraza a la parada posterior.

BUMERANGULO: P/N 169525 - Este accesorio de plástico sostiene el azulejo a 45 grados, localizando dos bordes del azulejo. Es útil para cortes en diagonal o para cortar esquinas uniformemente. El Bumerángulo se abraza a la parada posterior con un tornillo mariposa para remolque.

SOPORTE DOBLABLE: P/N 051041 - Este soporte estable, de una pieza, hace que la sierra para azulejos **FELKER^{MR}** llegue a un nivel de soporte que facilita el trabajo. El soporte se dobla convenientemente y queda plano para facilitar su almacenamiento y transporte.

DIAGRAM 1 – PAVER MATE (3/15/02)

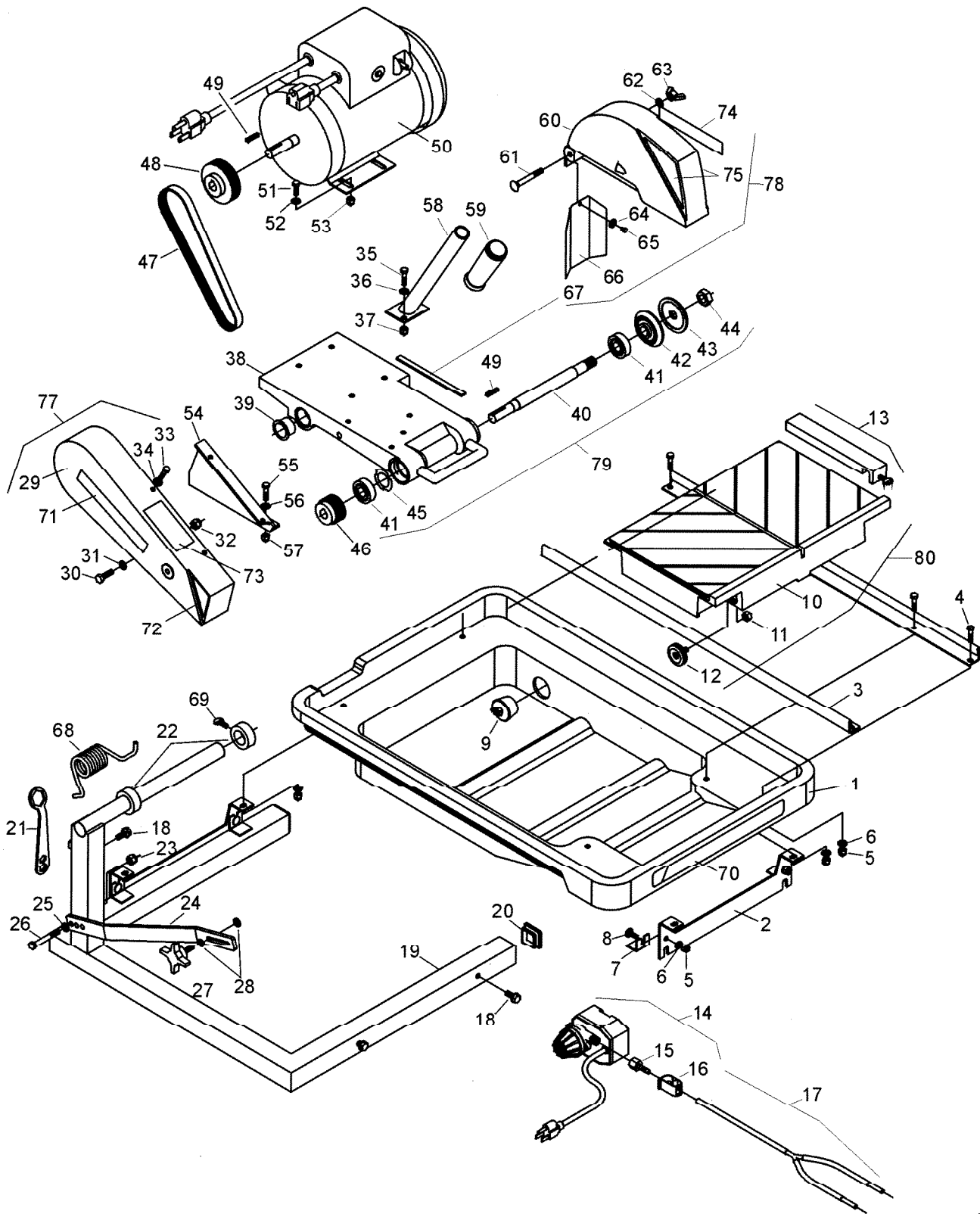
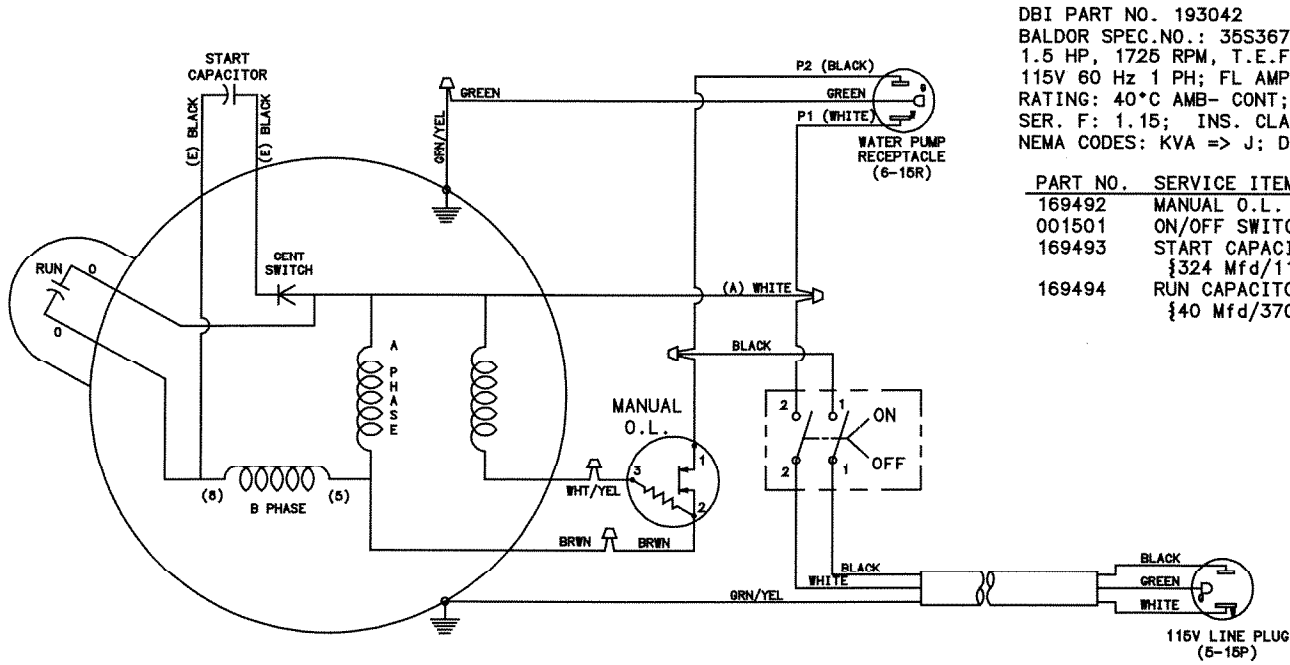


DIAGRAM 1 – PARTS LIST: PAVER MATE (3/15/02)

DIAG LOC.	PART NO.	QTY REQ	DESCRIPTION	DIAG LOC.	PART NO.	QTY REQ	DESCRIPTION
1	169274	1	Pan	46	68822	1	Pulley, 6GJ1.75-.627 w/SS
2	169277	2	Pan Bracket	47	58964	1	V-Belt: Poly 280J6
3	169275	2	Rail	48	172101	1	Pulley: 6GJ2.8 w/SS
4	020370	6	Cap Screw, Hex Hd., 1/4" - 20 x 3/4"	49	020060	2	Key, 3/16" Sq. x 1"
5	020195	10	Locknut, Fiber, 1/4" - 20	50	193042	1	Motor Assy 1-1/2 HP, 1725 RPM 115V/60/1
6	020741	10	Washer, Flat 1/4"				
7	169338	4	Bracket, Alignment		001501	1	Motor On-Off Switch (193042)
8	020011	4	Carriage Bolt, 1/4"-20x 5/8"		169492	1	Manual Thermal Overload (193042)
9	030386	1	Drain Plug Assembly		169493	1	Start Capacitor (193042)
10	169576	1	Cart, Conveyor w/ V-Top		169494	1	Run Capacitor (193042)
11	032366	4	Nut, KEPS 5/16" - 18				
12	030822	4	Cart Wheel	51	021416	4	Cap Screw, Hex Hd., 5/16" - 18 x 1"
	030049	1	Wheels-Set of 4 (Includes Items 11 & 12)	52	020763	4	Washer, Flat, 5/16"
13	051000	1	Rip Guide w/ Thumb Screw	53	020197	4	Locknut, Fiber, 5/16" - 18
14	050218	1	Water Pump Assembly (Incl. Items 15 & 16)	54	169499	1	Belt Guard Bracket
15	197237	1	Hose Barb 1/4" FPT x 1/4" OD	55	020370	2	Cap Screw, Hex Hd., 1/4" - 20 x 3/4"
16	161134	1	Valve, Flow Control	56	020762	2	Washer, Flat 1/4" SAE
17	169563	1	Water Tube Assy: 1/4"Y x 3/2"	57	020195	2	Locknut, Fiber, 1/4" - 20
18	169339	4	Screw, Hex Washer Hd., 5/16"-24NF x 1", "D"	58	169742	1	Handle
19	169738	1	Frame	59	139568	1	Grip, Handle
20	171037	2	End Caps	60	169548	1	Blade Guard
21	161641	1	Wrench	61	020126	1	Carriage Bolt, 5/16" - 18 x 2-1/2"
22	043260	2	Set Collar 1" Dia.	62	020763	1	Washer, Flat 5/16"
23	020197	1	Locknut, Fiber, 5/16" - 18	63	020245	1	Locknut, Wing 5/16" - 18
24	169740	1	Lock Bar	64	020739	1	Washer, Flat #10
25	020742	1	Washer, Flat, 5/16"	65	169366	1	Screw, Self-Tapping #8 x 3/8"
26	020318	1	Cap Screw, Hex Hd., 5/16" - 18 x 2-1/4"	66	169365	1	Splash Guard
27	169486	1	Knob, 5/16" - 18 x 1	67	163248	1	Rubber Sponge Strip x 6" lg.
28	020742	2	Washer, Flat 5/16"	68	169774	1	Spring, Torsion
29	171013	1	Belt Guard	69	90209	1	Thumb Screw, 5/16"-18 x 1/2"
30	021416	1	Cap Screw, Hex Hd., 5/16" - 18 x 1"	70	189112	1	Decal: PAVER MATE (Pan)
31	020742	1	Washer, Flat 5/16"	71	169784	1	Decal: PAVER MATE (Belt Guard)
32	020197	1	Locknut, Fiber, 5/16" - 18	72	189027	1	Decal: Small (Belt Guard)
33	021423	2	Cap Screw, Hex Hd., 1/4" - 20 x 1/2"	73	187043	1	Decal: Warning
34	020762	2	Washer, Flat 1/4" SAE	74	169784	1	Decal: PAVER MATE (Blade Guard)
35	020370	2	Cap Screw, Hex Hd., 1/4" - 20 x 3/4"	75	189026	1	Decal: Felker (Blade Guard - Inner)
36	020762	2	Washer, Flat 1/4" SAE		189025	1	Decal: Felker (Blade Guard - Outer)
37	020195	2	Locknut, Fiber, 1/4" - 20				
38	169766	1	Motor Base, Pivot				
39	169773	2	Rushing, Pivot				
40	052006	1	Blade Shaft	76	169273	1	<u>ASSEMBLIES</u> Pan Assembly (Incl. 1-9, 70)
41	071081	2	Bearing	77	169678	1	Belt Guard Assy (Incl. 29-34, 71-73)
42	169522	1	Inner Collar	78	169306	1	Blade Guard Assembly (Incl. Items 60 - 67 & 74-75 Decals)
43	169523	1	Outer Collar				
44	020176	1	Nut, Hex Jam Thin, 5/8" - 18	79	052004	1	Blade Shaft Assembly (Incl. Items 40-45)
45	071110	1	Spring Washer	80	169573	1	Cart Assembly, Conveyor, (Incl. Items 10-12)

DIAGRAM 2: WIRING DIAGRAM 193042 (3/15/02)



DBI PART NO. 193042
 BALDOR SPEC.NO.: 35S367Q047G1
 1.5 HP, 1725 RPM, T.E.F.C.
 115V 60 Hz 1 PH; FL AMPS 14.4
 RATING: 40°C AMB- CONT; FR: 56
 SER. F: 1.15; INS. CLASS: B
 NEMA CODES: KVA => J; DES => L

PART NO.	SERVICE ITEMS
169492	MANUAL O.L.
001501	ON/OFF SWITCH
169493	START CAPACITOR {324 Mfd/110V}
169494	RUN CAPACITOR {40 Mfd/370V}

NOTES:

- SINGLE VOLTAGE - 115V WITH:
 - * 300V SJT-W CORD & MOLDED PLUG (5-15P)
 - * PIGTAIL WATER PUMP RECEPTACLE (5-15R)
- CCW ROTATION FACING END OPPOSITE SHAFT EXTENSION.
NON-REVERSIBLE.

PART NO.	SPEC. NO.	HP	RPM	VOLT	HZ	PH	F.L.AMPS
193042	35S367Q047G1	1.5	1725	115	60	1	14.4

Felker's New Equipment Warranty

Except as noted below. Felker warrants that its new equipment will be free from manufacturing defects for a period of two (2) years from date of purchase by the original consumer purchaser.

The above warranty is subject to the following new equipment exceptions:

- The warranty time period for the following new equipment is limited as follows:
 - Gas-powered Quickie® Super saws – Three (3) months
 - Mix Master™, Mortar Master™, Stone Mate™, Land Shark™, Stone Lite™ - One (1) year
 - Tile Miter™ saw, Little Jack, Jack Junior and Slammer Jack tools – Six (6) months
 - Tile Mate™ - Ninety (90) days
- To the extent the following components are part of any the new equipment, Felker's warranty on the component parts is limited to the manufacturer's warranty period set out below:

Manufacturer.....Warranty Period	Manufacturer.....Warranty Period	Manufacturer.....Warranty Period
GAS and DIESEL ENGINES	ELECTRIC MOTORS	CERAMIC PLUNGER PUMPS
Briggs & Stratton.....2 years	Baldor.....1 year	General Pump.....5 years
Koler Gas.....2 years	Leeson.....1 year	Cat Pumps.....1 year
Robin Gas..... 2 yrs./2,000 hrs.	Bosch.....6 months	
Honda Gas.....2 years	Milwaukee.....Lifetime	HYDRAULIC PUMPS
Wisconsin Gas.....1 year/2,000 hrs.	Black & Decker.....1 year	Fenner-Stone.....1 year
Hatz Diesel.....1 year	DM100.....6 months	John S. Barnes Co.....1 year
TRANSMISSIONS	AIR MOTORS and VAC. PUMPS	WATER PUMPS
Eaton.....3 years*	Gast.....1 year	Jasbsco.....1 year
Sunstrand.....3 yrs./1,000 hrs.*		Beckett.....1 year
(* from date of manufacture)		

3. Felker's obligation under this warranty is expressly limited to the replacement or repair at Felker, Olathe, KS 66061, or at a service facility designated by Felker, of such parts as inspection shall disclose to have been defective. This warranty does not cover labor, except for gas powered Quickie Super saws and does not cover maintenance items such as belts, air filters, bearings and wheels. Purchaser will be responsible for paying for shipping costs to and from the location where the equipment is to be repaired or replaced. Motors and engines are to be serviced by the nearest factory authorized service center. These service centers are designated by the manufacturer of the engine/motor. **Under no circumstances will Felker be responsible for incidental or consequential damages.**

4. Felker's warranty does not apply to defects caused by damage, abuse, modifications, low voltage, acts of God, unreasonable use, faulty repairs made by others or defects caused by failure to provide reasonable maintenance. All warranties are void if the equipment or any of its components are altered or modified by the purchaser, or of the product is used in a manner or with a blade not recommended by the manufacturer.

5. The forgoing express warranties are in lieu of all other warranties. **FELKER EXPRESSLY DISCLAIMS ALL OTHER WARRANTIES, INCLUDING, WITHOUT LIMITATION, THE IMPLIED WARRANTIES OF MERCHANTABILITY AND FITNESS FOR A PARTICULAR PURPOSE.**

Please record the Date of Purchase and the Serial Number of your saw in the space below. (The serial number is located on the side of the motor.) When ordering service items, please have this information available.

Serial Number:		Date of Purchase:	
Model Number:		Where Purchased:	

For any missing, damaged or service items needed, DO NOT return to original store of purchase, instead contact:

FELKER CUSTOMER SERVICE
 Cust. Service Phone.....1-800-365-4003
 Cust. Service FAX.....1-800-825-0028

Felker Corporate Office

17400 West 119th Street
Olathe, Kansas 66061
Customer Service 800-365-4003
Corp. Office 913-928-1000
Cust. Service FAX 800-825-0028
Corp. Office FAX 913-438-7951
Cust. Service, Int'l. 913-928-1300
Int'l. E-mail rcoats@db-inc.com

Western Division Center

17311 South Edwards Road
Cerritos, CA 90703-2427

**Felker Latin America, Mexico, Caribbean,
Central and South America**

17400 West 119th Street
Olathe, Kansas 66061
Phone 913-928-1255
FAX 913-438-7938
E-mail hleon@db-inc.com

Felker Canada

17400 West 119th Street
Olathe, Kansas 66061
Customer Service 800-365-4003
E-mail rbaker@db-inc.com

Felker Hong Kong, China

Diamant Boart Pte Ltd.
Unit E, 13/F., Infotech Centre,
21 Hung To Road, Kwun Tong,
Hong Kong
Phone 852-2516-6602
FAX 852-2516-6605
E-mail Targethk.netvigator.com

Felker Japan, Korea, Taiwan

1803-36 Oyama-Machi
Machida-Shi, Tokyo 194-0212
Japan
Phone 8142-797-0212
FAX 8142-798-7515
E-mail fwnh9794@mb.infoweb.ne.jp
Felker Australia, New Zealand/Dembicon Pty. Ltd
29 Kinkaid Avenue

North Plympton, Adelaide SA 5037

Australia
Phone 61-83751000
FAX 61-83710990
E-mail enquiries@dembicon.com.au
Internet www.dembicon.com.au

Felker Brazil



Pix Do Brasil
Rua José de Oliveira Coutinho
São Paulo, Brazil CEP 01144-020
Phone 55 11 3611-8383
FAX 55 11 3619-3022
E-mail pixbrasil@uol.com.br

**Felker Singapore, Thailand, Vietnam,
Malaysia, Indonesia**

Phone 65-9628-6175
FAX 65-234-2896
e-mail reeh@singnet.com.sg

European Headquarters

DB Construction Business Group
Avenue Du Pont De Luttre, 74
1190 Brussels, Belgium
Phone (32-2) 348-3669
FAX (32-2) 348-3136
Internet www.diamant-boart.com

 **WARNING** 
The engine exhaust from this product contains chemicals known to the State of California to cause cancer, birth defects or other reproductive harm.

