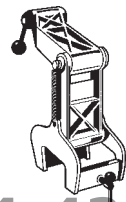


PARTNER

ConstructionParts.com

888-634-4289



IPL, RA 10, 1999-10, 106 25 66-62

ConstructionParts.com

RA 10

K950 RAIL

K1250 RAIL

K2500 RAIL

Reservdelar

Spare parts

Ersatzteile

Pieces de rechange

Piezas de repuesto

Ricambi

Peças

sobresselente

ConstructionParts.com

888-634-4289

106 25 66-62

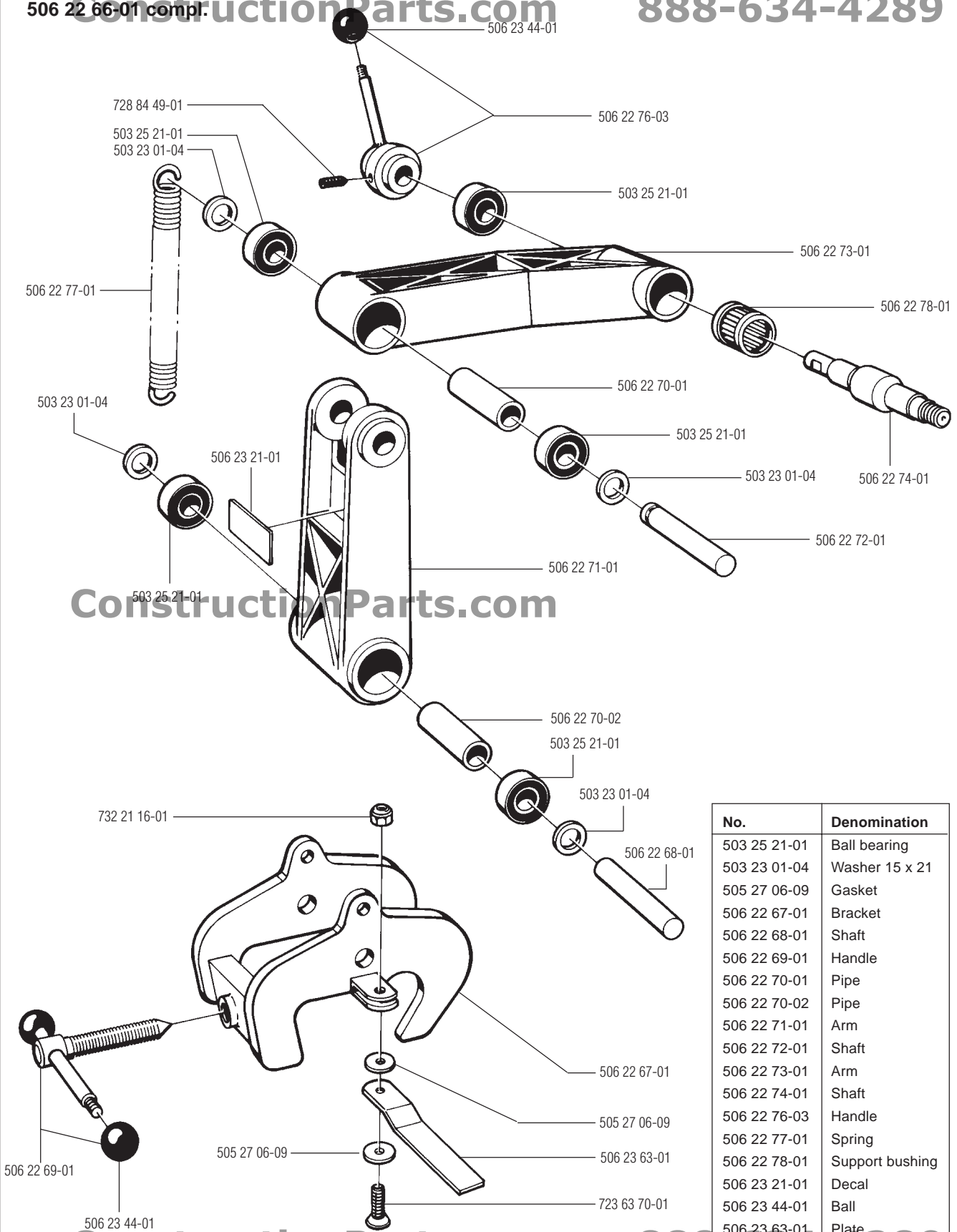
PARTNER®

RA 10

506 22 66-01 compl.

ConstructionParts.com

888-634-4289



ConstructionParts.com

ConstructionParts.com

888-634-4289

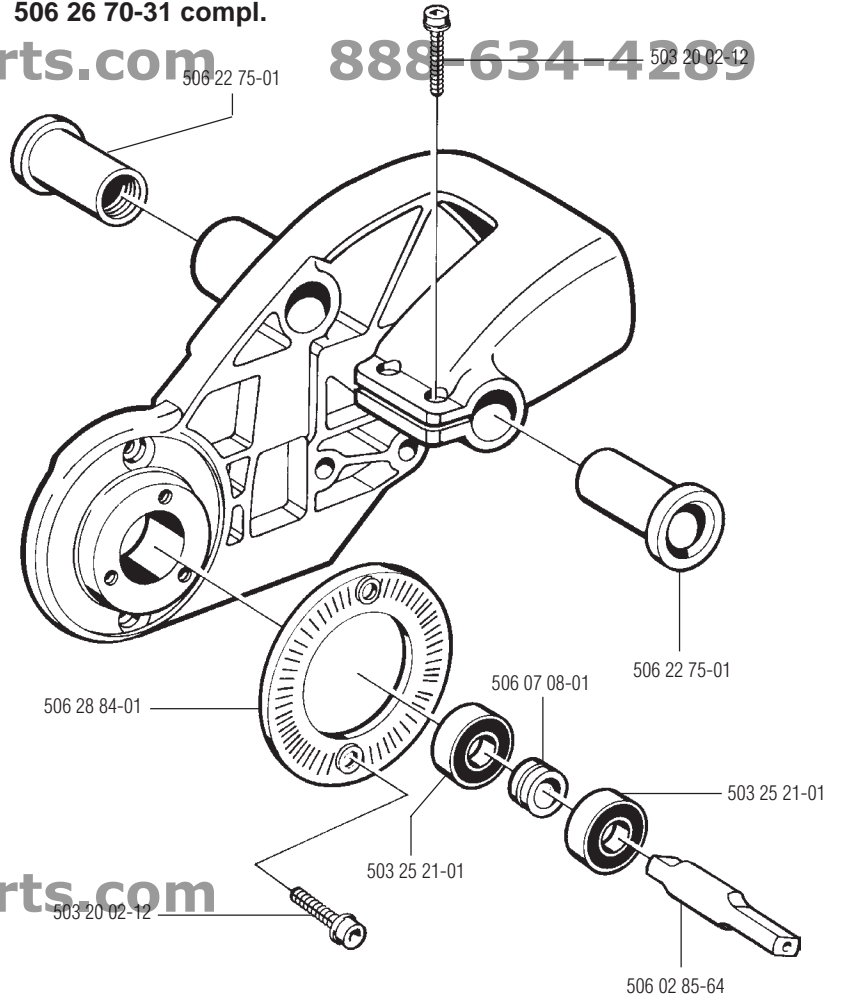
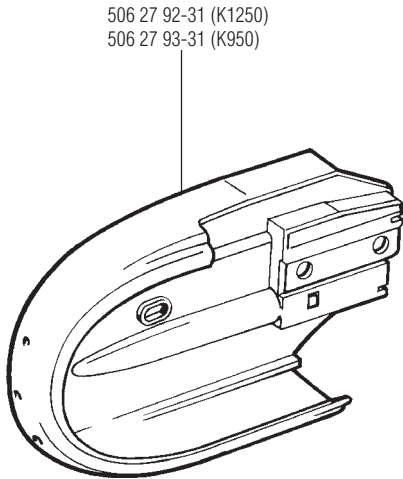
No.	Denomination
503 25 21-01	Ball bearing
503 23 01-04	Washer 15 x 21
505 27 06-09	Gasket
506 22 67-01	Bracket
506 22 68-01	Shaft
506 22 69-01	Handle
506 22 70-01	Pipe
506 22 70-02	Pipe
506 22 71-01	Arm
506 22 72-01	Shaft
506 22 73-01	Arm
506 22 74-01	Shaft
506 22 76-03	Handle
506 22 77-01	Spring
506 22 78-01	Support bushing
506 23 21-01	Decal
506 23 44-01	Ball
506 23 63-01	Plate
723 63 70-01	Screw
728 84 49-01	Screw
732 21 16-01	Locknut M6

K950 / K1250 RAIL

ConstructionParts.com

506 26 70-31 compl.

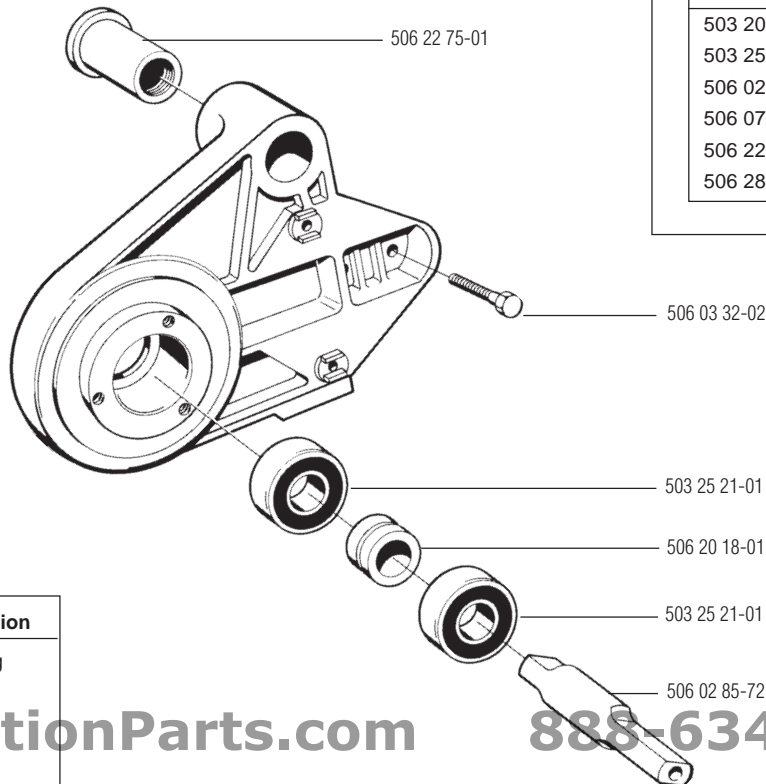
888-634-4289



No.	Denomination
506 27 92-31	Cover, belt
506 27 93-31	Cover, belt

K2500 RAIL

506 23 08-01 compl.



No.	Denomination
503 20 02-12	Screw
503 25 21-01	Ball bearing
506 02 85-64	Shaft
506 07 08-01	Spacer
506 22 75-01	Sleeve
506 28 84-01	Flange

No.	Denomination
503 25 21-01	Ball bearing
506 02 85-72	Shaft
506 03 32-02	Screw
506 20 18-01	Spacer
506 22 75-01	Sleeve

ConstructionParts.com

888-634-4289