

PARTS MANUAL



**WHISPERWATT SERIES
MODEL DCA600SSV4F3
60HZ GENERATOR
(VOLVO PENTA TWD1672GE DIESEL ENGINE)**

PARTS LIST NO. C4871303104F

Revision #0 (12/03/21)



THIS MANUAL MUST ACCOMPANY THE EQUIPMENT AT ALL TIMES.

DCA600SSV4F3 60 Hz Generator

Explanation Of Code In Remarks Column.....	4
Suggested Spare Parts	5

Component Drawings

Generator Assembly	6–9
Control Panel Assembly	10–11
Control Panel Assembly (Basler Option)	12–13
Control Box Assembly	14–17
Control Box Assembly (Basler Option)	18–19
Ethernet Cable Assembly (Basler Option).....	20–21
Engine And Radiator Assembly.....	22–25
Engine Operating Panel Assembly.....	26–27
Output Terminal Assembly.....	28–31
Camlok Panel Assembly (Option).....	32–33
Battery Assembly.....	34–35
Muffler Assembly	36–37
DEF Tank Assembly	38–41
Fuel Tank Assembly.....	42–43
Enclosure 1 Assembly	44–49
Enclosure 2 Assembly	50–53
Enclosure 3 Assembly	54–57
Rubber Seals Assembly	58–59
Battery Charger Assembly (Option).....	60–61
Block Heater Assembly (Option)	62–63
Power Balance Assembly (Option)	64–65
Nameplate And Decals Assembly	66–71

NOTICE

Specifications and part numbers are subject to change without notice.

EXPLANATION OF CODE IN REMARKS COLUMN

The following section explains the different symbols and remarks used in the Parts section of this manual. Use the help numbers found on the back page of the manual if there are any questions.

NOTICE

The contents and part numbers listed in the parts section are subject to change **without notice**. Multiquip does not guarantee the availability of the parts listed.

SAMPLE PARTS LIST

NO.	PART NO.	PART NAME	QTY.	REMARKS
1	12345	BOLT	1	INCLUDES ITEMS W/%
2%		WASHER, 1/4 IN.		NOT SOLD SEPARATELY
2%	12347	WASHER, 3/8 IN. ...	1	MQ-45T ONLY
3	12348	HOSE	A/R	MAKE LOCALLY
4	12349	BEARING	1	S/N 2345B AND ABOVE

NO. Column

Unique Symbols — All items with same unique symbol (@, #, +, %, or >) in the number column belong to the same assembly or kit, which is indicated by a note in the “Remarks” column.

Duplicate Item Numbers — Duplicate numbers indicate multiple part numbers, which are in effect for the same general item, such as different size saw blade guards in use or a part that has been updated on newer versions of the same machine.

NOTICE

When ordering a part that has more than one item number listed, check the remarks column for help in determining the proper part to order.

PART NO. Column

Numbers Used — Part numbers can be indicated by a number, a blank entry, or TBD.

TBD (To Be Determined) is generally used to show a part that has not been assigned a formal part number at the time of publication.

A blank entry generally indicates that the item is not sold separately or is not sold by Multiquip. Other entries will be clarified in the “Remarks” Column.

QTY. Column

Numbers Used — Item quantity can be indicated by a number, a blank entry, or A/R.

A/R (As Required) is generally used for hoses or other parts that are sold in bulk and cut to length.

A blank entry generally indicates that the item is not sold separately. Other entries will be clarified in the “Remarks” Column.

REMARKS Column

Some of the most common notes found in the “Remarks” Column are listed below. Other additional notes needed to describe the item can also be shown.

Assembly/Kit — All items on the parts list with the same unique symbol will be included when this item is purchased.

Indicated by:

“INCLUDES ITEMS W/(unique symbol)”

Serial Number Break — Used to list an effective serial number range where a particular part is used.

Indicated by:

“S/N XXXXX AND BELOW”

“S/N XXXX AND ABOVE”

“S/N XXXX TO S/N XXX”

Specific Model Number Use — Indicates that the part is used only with the specific model number or model number variant listed. It can also be used to show a part is NOT used on a specific model or model number variant.

Indicated by:

“XXXXX ONLY”

“NOT USED ON XXXX”

“Make/Obtain Locally” — Indicates that the part can be purchased at any hardware shop or made out of available items. Examples include battery cables, shims, and certain washers and nuts.

“Not Sold Separately” — Indicates that an item cannot be purchased as a separate item and is either part of an assembly/kit that can be purchased, or is not available for sale through Multiquip.

SUGGESTED SPARE PARTS

DCA600SSV4F3 PORTABLE GENERATOR WITH VOLVO PENTA TWD1672GE DIESEL ENGINE

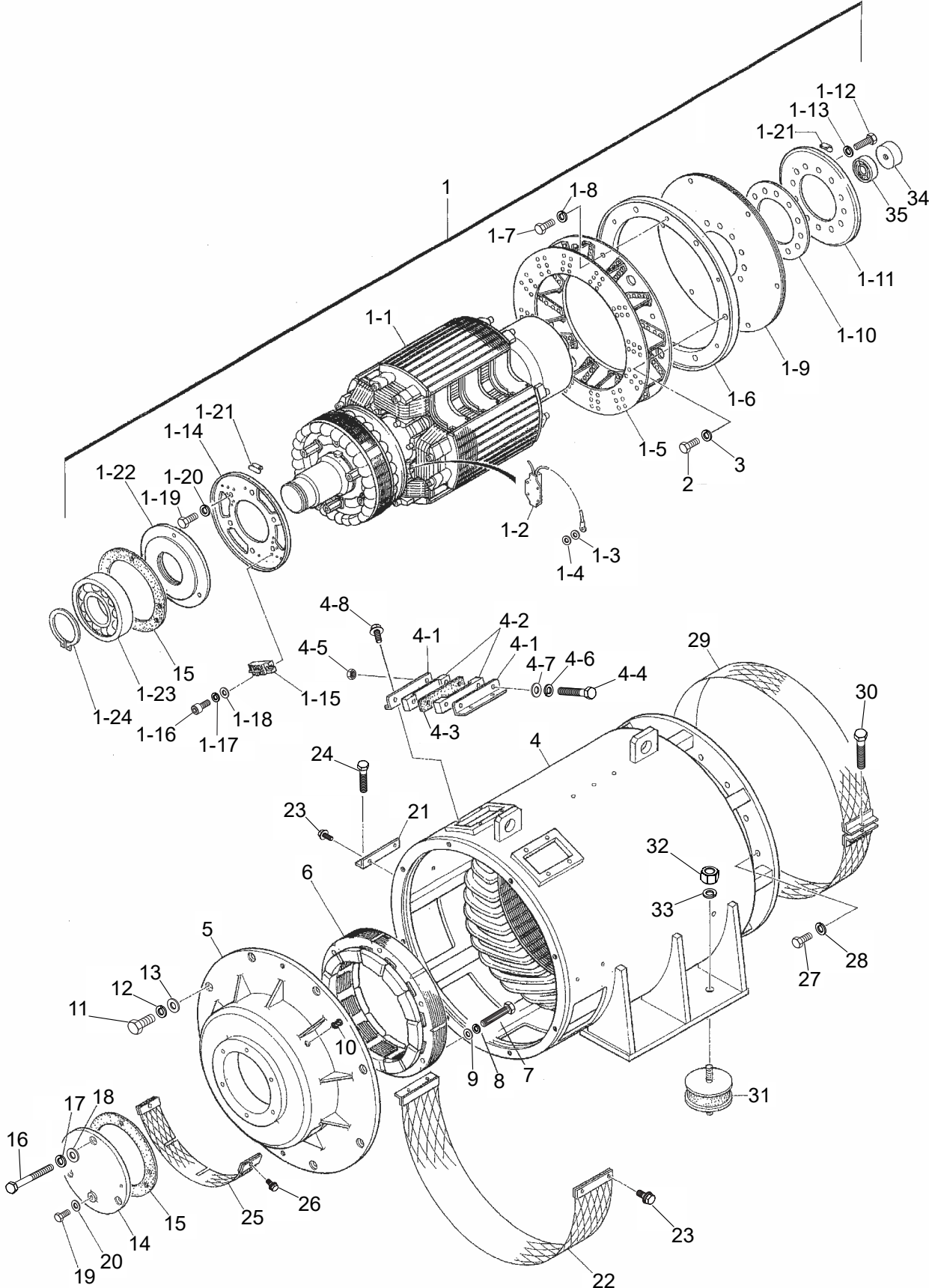
1 to 3 units

Qty.	P/N	Description
6	23075366	CARTRIDGE, OIL FILTER, FULL-FLOW
5	23075367	CARTRIDGE, OIL FILTER, BY-PASS
5	22480372	CARTRIDGE, FUEL FILTER
5	20998367	CARTRIDGE, FUEL PRE-FILTER
3	Y0602046628	ELEMENT, AIR CLEANER OUTER
3	Y0602046629	ELEMENT, AIR CLEANER INNER
1	3883978	BELT, FAN
1	20995830	BELT, ALTERNATOR
1	22059603	RADIATOR HOSE, UPPER
1	22305168	RADIATOR HOSE, LOWER
1	Y0601808803	CIRCUIT BREAKER, 20A
1	Y0601872581	FUSE, 1A
1	Y0601806642	FUSE, 5A
1	Y0601806683	FUSE, 250V 8A
1	Y0601820601	AUTOMATIC VOLTAGE REGULATOR
3	0601810877	BULB
1	Y0601827655	RELAY, LY2-D DC24V

NOTICE

Part numbers on this Suggested Spare Parts list may supersede/replace the part numbers shown in the following parts lists.

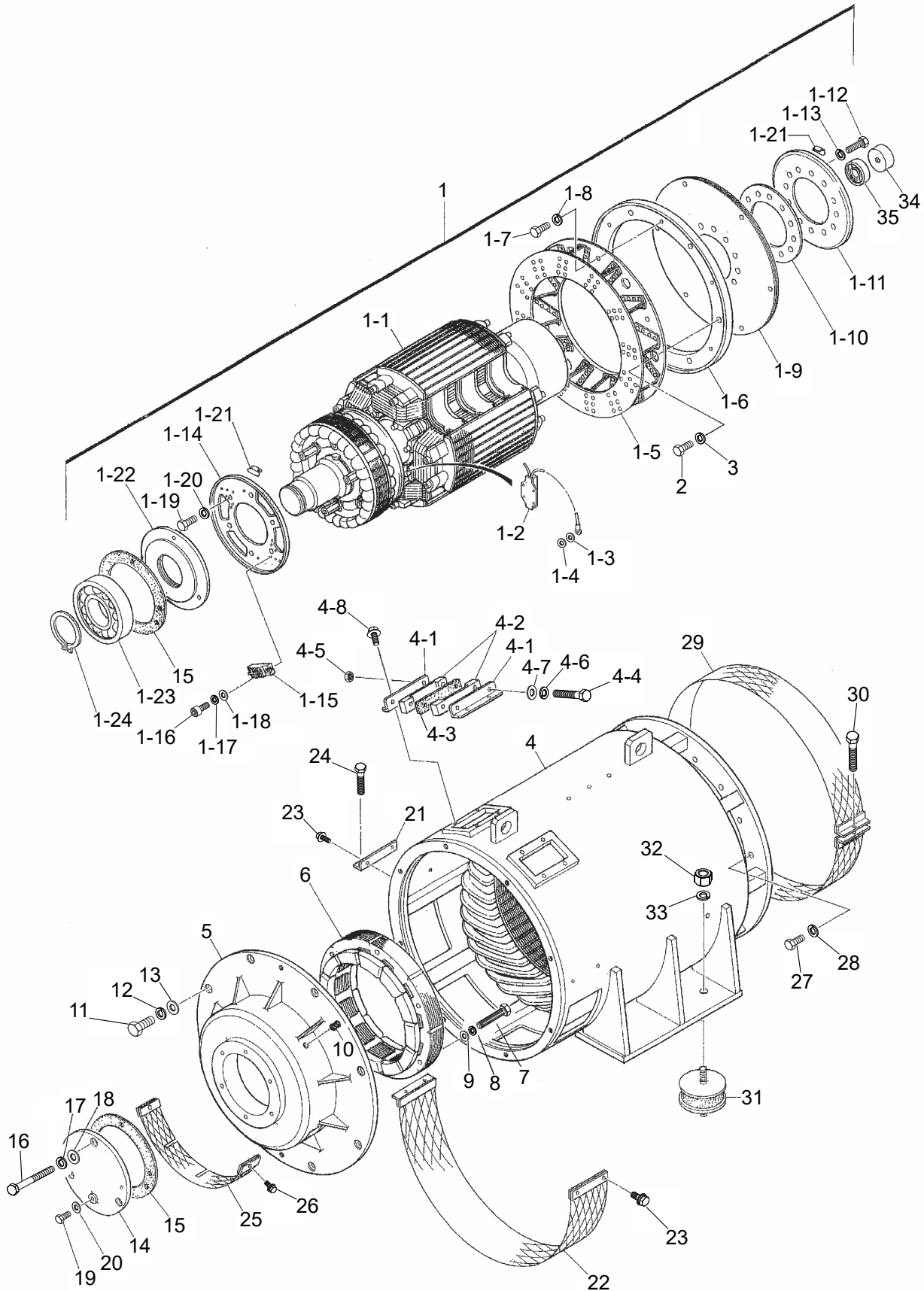
GENERATOR ASSY.



GENERATOR ASSY.

<u>NO.</u>	<u>PART NO.</u>	<u>PART NAME</u>	<u>QTY.</u>	<u>REMARKS</u>
1	C4110100302	ROTOR ASSY.	1	INCLUDES ITEMS W/#
1-1#		FIELD ASSY.	1	
1-2#	Y0601842366	RESISTOR, 80W 50 OHM K	4	
1-3#	W8171020004	INSULATOR WASHER	6	
1-4#	W8171020504	INSULATOR WASHER	6	
1-5#	W8461070002	FAN	1	
1-6#	W8461614003	COUPLING RING	1	
1-7#	Y0010312025	HEX. HEAD BOLT	6	
1-8#	Y0042512000	LOCK WASHER	6	
1-9#	C4163100004	COUPLING DISK ASSY.	1	
1-10#	W8461612004	WASHER, COUPLING HUB	1	
1-11#	W8461015003	BALANCING PLATE	1	ITEM 1-21 MUST BE ORDERED WHEN REPLACING ITEM 1-11
1-12#	Y0012120055	HEX. HEAD BOLT	12	
1-13#	Y0042620000	LOCK WASHER	12	
1-14#	W8461026023	SET PLATE, RECTIFIER	1	
1-15#	Y0601823282	RECTIFIER	2	S/N 3959551 AND BELOW
1-15#	Y0601823237	RECTIFIER	2	S/N 3959552 AND ABOVE
1-16#	Y0018205020	HEX. SOCKET HEAD CAP SCREW	4	
1-17#	Y0040005000	LOCK WASHER	4	
1-18#	Y0041205000	FLAT WASHER	4	
1-19#	Y0010112020	HEX. HEAD BOLT	6	
1-20#	Y0040012000	LOCK WASHER	6	
1-21#	Y0601000209	BALANCING WEIGHT KIT	1	
1-22#	W7431014003	BEARING FLANGE	1	
1-23#	Y0072906321	BEARING	1	
1-24#	Y0080000105	SNAP RING	1	
2	Y0343207250	HEX. HEAD BOLT	6	
3	Y0043607000	LOCK WASHER	6	
4	C4130101503	STATOR ASSY.	1	INCLUDES ITEMS W/\$
4-1\$	W7431323003	CLAMPER	4	
4-2\$	W7431323123	CLAMPER	4	
4-3\$	W7431323204	CLAMPER	2	
4-4\$	Y0016310080	HEX. HEAD BOLT	4	
4-5\$	Y0030010000	HEX. NUT	4	
4-6\$	Y0040010000	LOCK WASHER	8	
4-7\$	Y0041210000	FLAT WASHER	4	
4-8\$	Y0017110020	HEX. HEAD BOLT	8	
5	W8461315002	END BRACKET	1	
6	C4137000003	EXCITER FIELD ASSY.	1	
7	Y0012110075	HEX. HEAD BOLT	6	
8	Y0042610000	LOCK WASHER	6	
9	Y0041210000	FLAT WASHER	6	
10	W0845044904	GROMMET	1	
11	Y0010116045	HEX. HEAD BOLT	8	
12	Y0040016000	LOCK WASHER	8	
13	Y0041616000	FLAT WASHER	8	

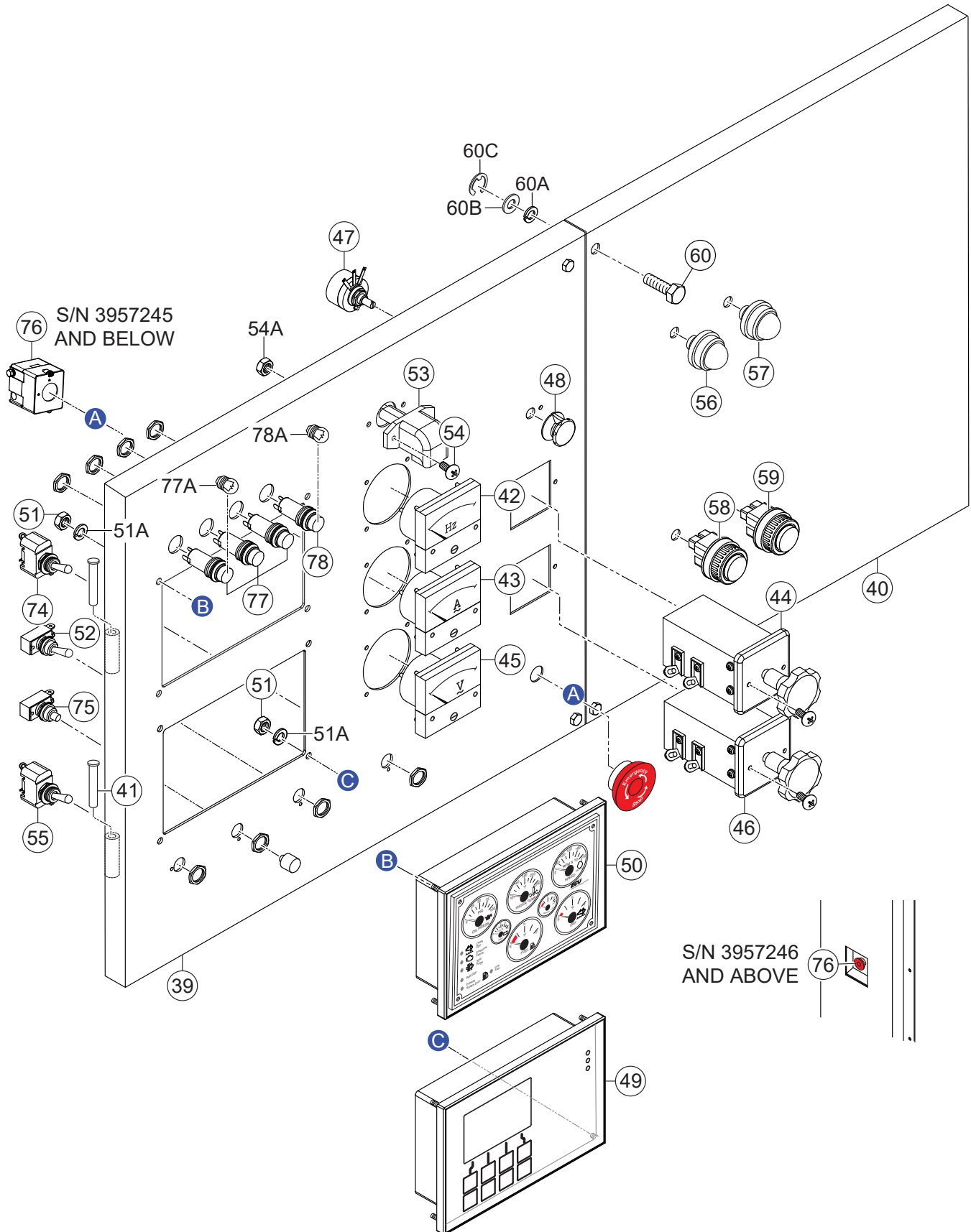
GENERATOR ASSY. (CONT'D.)



GENERATOR ASSY. (CONT'D.)

<u>NO.</u>	<u>PART NO.</u>	<u>PART NAME</u>	<u>QTY.</u>	<u>REMARKS</u>
14	W7431310003	COVER, BEARING	1	
15	W8461312004	GASKET, BEARING	1	
16	Y0010108095	HEX. HEAD BOLT	3	
17	Y0040008000	LOCK WASHER	3	
18	Y0041608000	FLAT WASHER	3	
19	Y0010110016	HEX. HEAD BOLT	1	
20	W0803000104	PACKING	1	
21	W8461335004	BRACKET, COVER	1	
22	W8461334003	COVER, STATOR	1	
23	Y0017106012	HEX. HEAD BOLT	4	
24	Y0017106050	HEX. HEAD BOLT	2	
25	W8461333003	COVER, EXCITER	1	
26	Y0017106012	HEX. HEAD BOLT	2	
27	Y0343206170	HEX. HEAD BOLT	16	
28	Y0043606000	LOCK WASHER	16	
29	W8461332003	COVER, FAN	1	
30	Y0017106050	HEX. HEAD BOLT	1	
31	Y0605000012	RUBBER SUSPENSION	4	
32	Y0030020000	HEX. NUT	8	
33	Y0040020000	LOCK WASHER	8	
34	C3164701404	SPACER, BEARING	1	
35	Y0070506208	BEARING 6208ZZ	1	

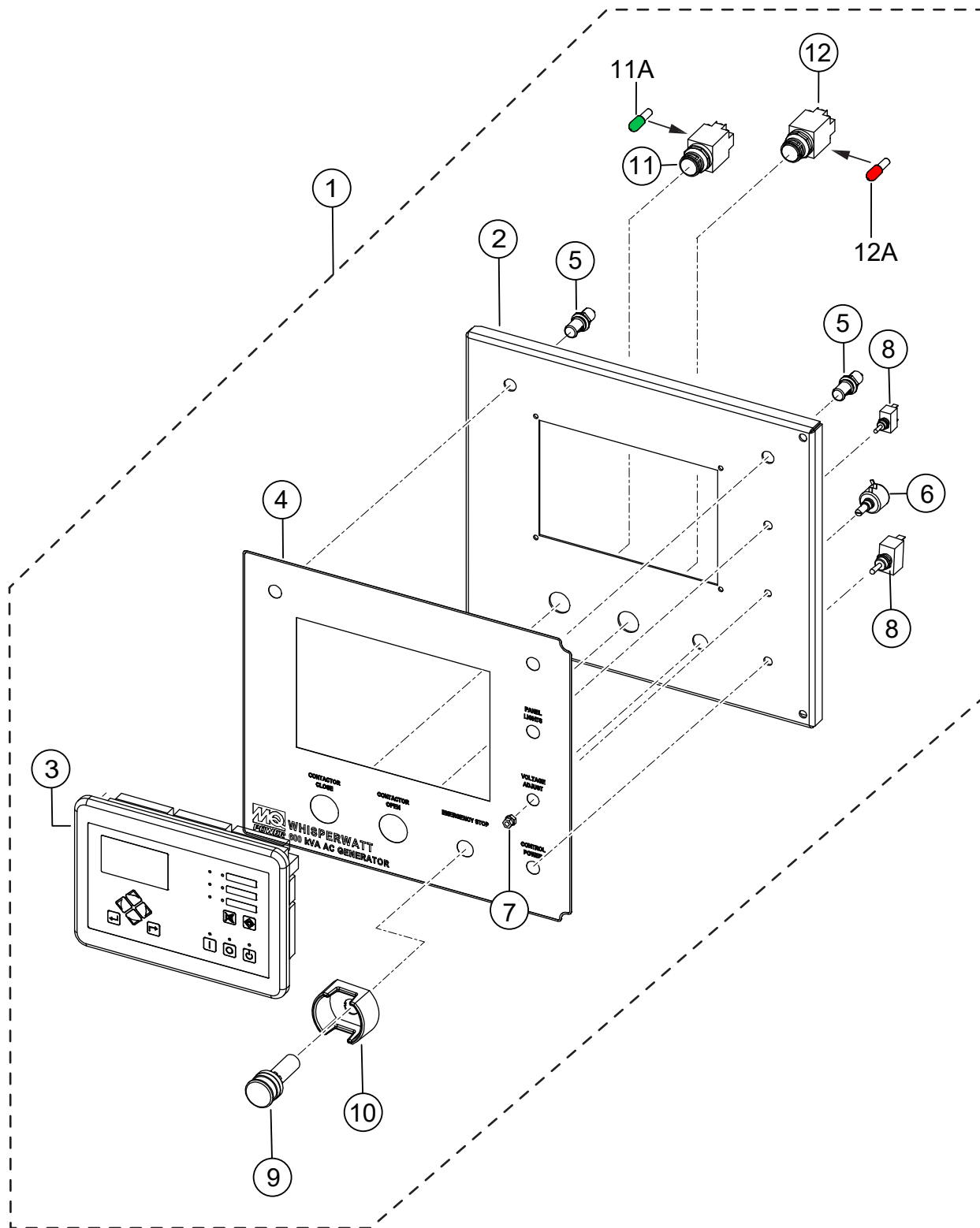
CONTROL PANEL ASSY.



CONTROL PANEL ASSY.

<u>NO.</u>	<u>PART NO.</u>	<u>PART NAME</u>	<u>QTY.</u>	<u>REMARKS</u>
39	C4224008903	CONTROL PANEL	1.....	S/N 3957245 AND BELOW
39	C4224008913	CONTROL PANEL	1.....	S/N 3957246 AND ABOVE
40	C4224009003	CONTROL PANEL	1	
41	Y0605011211	PIN	4	
42	Y0601800480	FREQUENCY METER, 220V 45~65HZ	1	
43	Y0601800736	AC AMMETER, 0~1200A/5A, 0~2400A/5A	1	
44	Y0601801040	CHANGE-OVER SWITCH AMMETER	1	
45	Y0601800252	AC VOLTMETER, 0~600V	1	
46	Y0601801041	CHANGE-OVER SWITCH, VOLTMETER	1	
47	Y0601840073	RHEOSTAT, VOLT. REG., 2W 1K OHM	1	
48	Y0601840121	KNOB, 25N	1	
49	Y0602203044	ECU CONTROLLER	1	
50	Y0602120900	GAUGE UNIT ASSY.	1	
51	Y0206707000	HEX. NUT	8	
51A	Y0044807000	LOCK WASHER	8	
52	Y0601830765	SWITCH	1	
53	Y0601810171	PANEL LIGHT	1	
54	Y0027104020	MACHINE SCREW	2	
54A	Y0207004000	HEX. NUT	2	
55	Y0601830710	SWITCH, PANEL LIGHT	1	
56	Y0601814178	OFF LAMP, CIRCUIT BREAKER	1	
57	Y0601814179	ON LAMP, CIRCUIT BREAKER	1	
58	Y0601830498	CIRCUIT BREAKER, RESET SWITCH	1	
59	Y0601831224	CIRCUIT BREAKER, SWITCH	1	
60	G9221100004	HEX. HEAD BOLT	4	
60A	Y0040008000	LOCK WASHER	4	
60B	Y0041208000	FLAT WASHER	4	
60C	Y0080200007	SNAP RING	4	
74	Y0601830710	ENGINE SPEED SWITCH	1	
75	Y0601831205	HOUR CHECK BUTTON, N/O RED	1	
76	Y0601831953	EMERGENCY STOP BUTTON	1.....	S/N 3957245 AND BELOW
76	Y0601831998	EMERGENCY STOP BUTTON	1.....	S/N 3957246 AND ABOVE
77	Y0602103089	LAMP	3.....	INCLUDES ITEMS W/# S/N 3948041 AND BELOW
77	Y0601814457	PILOT LAMP	3.....	S/N 3948042 AND ABOVE
77A#	Y0601810877	BULB, 28V	3.....	S/N 3948041 AND BELOW
78	Y0602103090	LAMP	1.....	INCLUDES ITEMS W/% S/N 3948041 AND BELOW
78	Y0601814453	PILOT LAMP	1.....	S/N 3948042 AND ABOVE
78A%	Y0601810877	BULB, 28V	1.....	S/N 3948041 AND BELOW

CONTROL PANEL ASSY. (BASLER DGC2020HD OPTION)



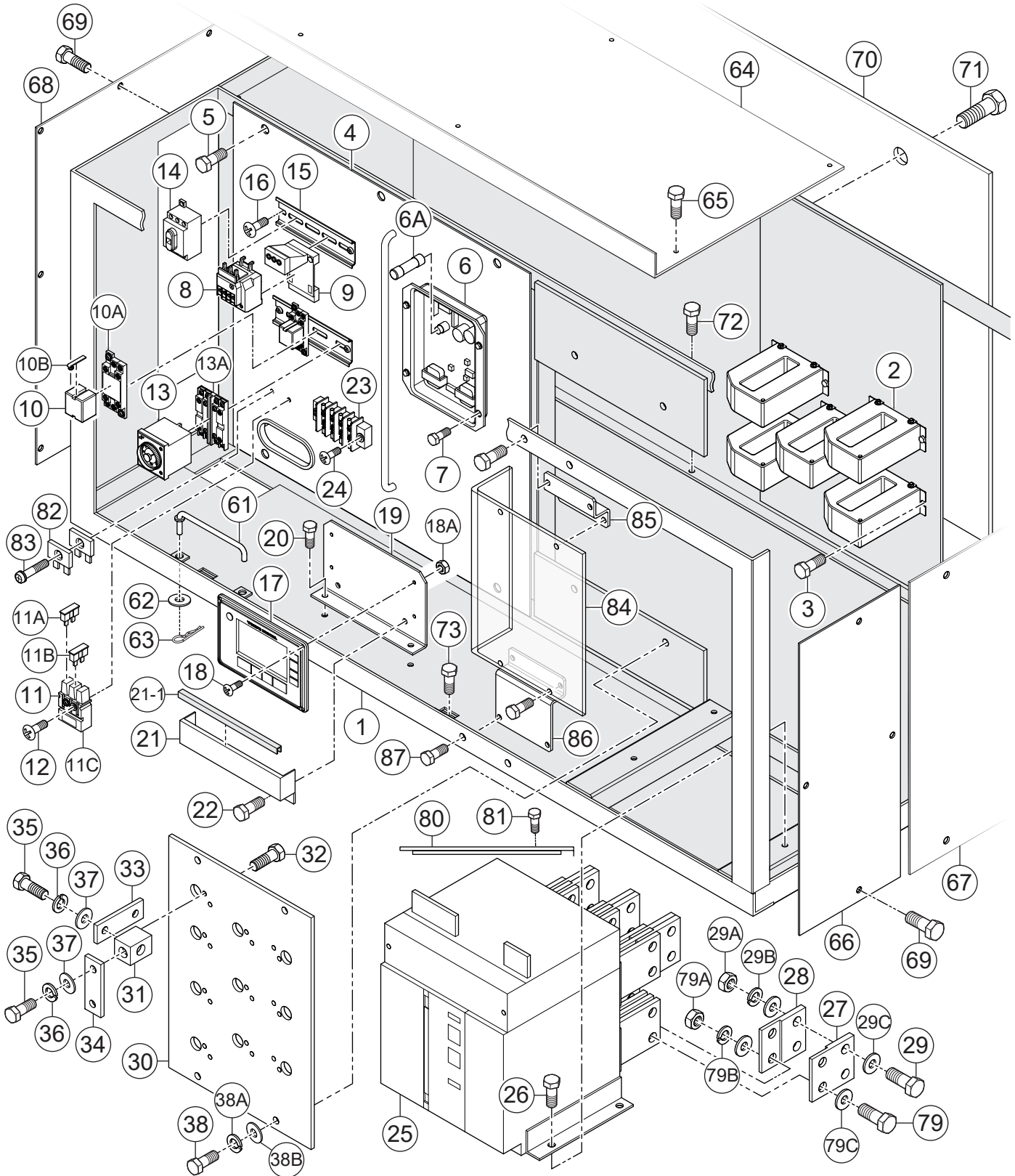
CONTROL PANEL ASSY. (BASLER DGC2020HD OPTION)

NO.	PART NO.	PART NAME	QTY.	REMARKS
1	EE59231	PANEL ASSY., PARALLELING, DGC2020HG...1.....	1	INCLUDES ITEMSW/#
2#	EE59122	PANEL, PARALLEL, BASLER DGC2020HD	1	
3#	EE59259	CONTROLLER DGC2020HD COLOR DISP.	1	
4#	EE59123	DECAL, PARALLEL, BASLER 2020HD	1	
5#	EE55761	LIGHT, PANEL, LED POWERED, 12-36VDC	2	
6#	EE2115	POTENTIOMETER, 5K OHM	1	INCLUDES ITEMS W/%
7%#	EE9949	NUT, SHAFT LOCK, POTENTIOMETER	1	
8#	EE2591	SWITCH, TOGGLE SINGLE POLE SPST	2	
9#	EE57855	SWITCH, E-STOP, RED, 24V LED	1	
10#	EE52893	BEZEL EMERG. STOP YELLOW PLASTIC	1	
11#	EE23374	PUSHBUTTON, SWITCH (GREEN)	1	
11A#	EE39554	LED, 12V, GREEN	1	
12#	EE23375	PUSHBUTTON, SWITCH (RED)	1	
12A#	EE5895	LED, 12V, RED	1	

CONTROL BOX ASSY.

<u>NO.</u>	<u>PART NO.</u>	<u>PART NAME</u>	<u>QTY.</u>	<u>REMARKS</u>
1	C4214003502	CONTROL BOX	1.....	S/N 3941548 AND BELOW
1	C4214003512	CONTROL BOX	1.....	S/N 3941549 - 3959551
1	C4214003522	CONTROL BOX	1.....	S/N 3959552 AND ABOVE
2	Y0601806153	CURRENT TRANS., AMMETER 1200/5A	5	
3	Y0017108020	HEX. HEAD BOLT	10	
4	C4261513303	SET PANEL, ELECTRIC PARTS	1	
5	Y0016908030	HEX. HEAD BOLT	6	
6	Y0601820601	AUTOMATIC VOLTAGE REGULATOR.....	1.....	INCLUDES ITEMS W/\$
6A\$	Y0601806683	FUSE, 250V 8A	1	
7	Y0027105015	MACHINE SCREW	4	
8	Y0601820839	OVER CURRENT RELAY	1	
9	Y0601820844	BASE, OVER CURRENT RELAY	1	
10	Y0601827655	RELAY, LY2-D DC24V	2	
10A	Y0601823109	SOCKET, PTF08A	2	
10B	Y0601824400	HOLDER, PYC-A1	2	
11	C4214600504	FUSE BOX ASSY.....	1.....	INCLUDES ITEMS W/@
11A@	Y0601872581	FUSE, 1A	2	
11B@	Y0601806642	FUSE, 5A	1	
11C@	C9501000104	DECAL; FUSE HOLDER	1	
12	Y0027203035	MACHINE SCREW	2	
13	Y0601824912	TIMER, AC/DC 24V	1	
13A	Y0601823153	SOCKET	1	
14	Y0601832350	SWITCH	1	
15	Y0290000165	RAIL	2	
16	Y0027104010	MACHINE SCREW	4	
17	Y0602202730	CONTROLLER	1.....	VOLVO 21898783 S/N 3948041 AND BELOW
17	Y0602202731	CONTROLLER	1.....	VOLVO 23321047 S/N 3948042 AND ABOVE
18	Y0021804015	MACHINE SCREW	4	
18A	Y0207004000	HEX. NUT	4	
19	C4261514204	SET PANEL, CONTROLLER	1	
20	Y0016908020	HEX. HEAD BOLT	2	
21	C4261700104	COVER	1	
21-1	Y0226900200	RUBBER SEAL	1	
22	Y0016906015	HEX. HEAD BOLT	2	
23	Y0601815402	TERMINAL BOARD, 4P	1	
24	Y0027104020	MACHINE SCREW	2	
25	Y0601807540	CIRCUIT BREAKER, 3P, 1600A	1	
26	Y0016908020	HEX. HEAD BOLT	4	
27	C4277200004	CONNECTION PLATE	6	
28	C4277200104	CONNECTION PLATE	6	
29	Y0013612050	HEX. HEAD BOLT	12	
29A	Y0030012000	HEX. NUT	12	
29B	Y0040012000	LOCK WASHER	12	
29C	Y0041212000	FLAT WASHER	24	

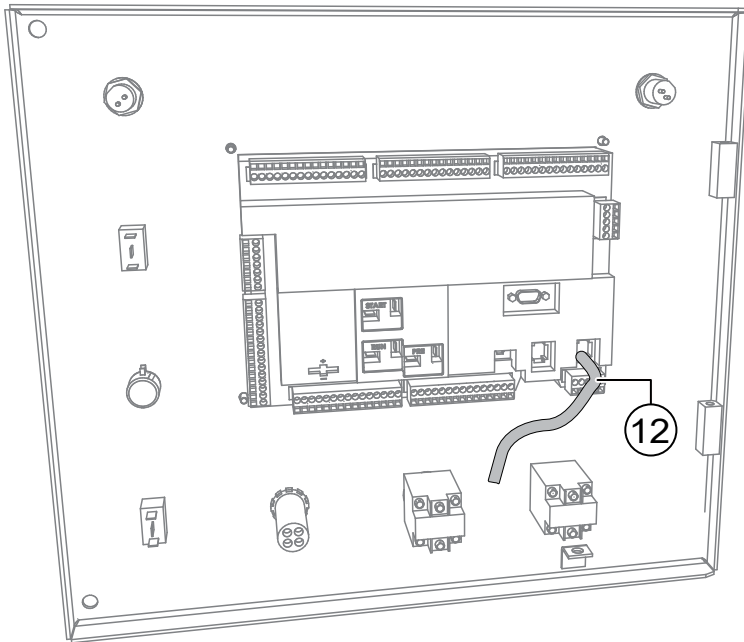
CONTROL BOX ASSY. (CONT'D.)



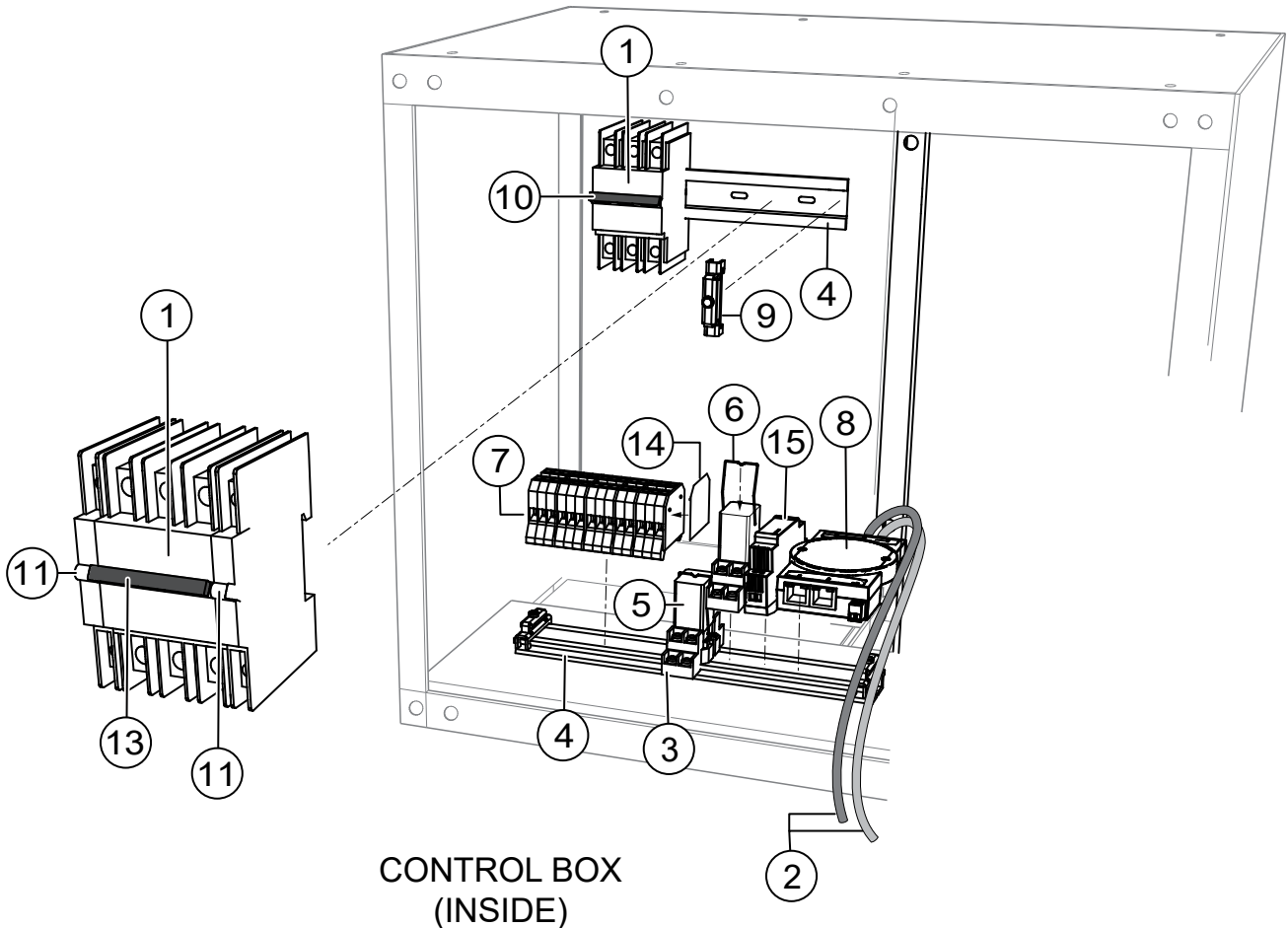
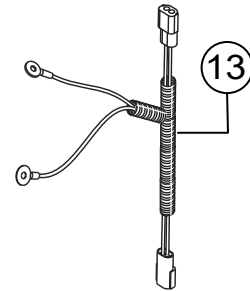
CONTROL BOX ASSY. (CONT'D.)

<u>NO.</u>	<u>PART NO.</u>	<u>PART NAME</u>	<u>QTY.</u>	<u>REMARKS</u>
30	C4274000203	CHANGE-OVER BOARD, VOLTAGE	1	
31	W7431852104	CHANGE TERMINAL	10	
32	Y0017108035	HEX. HEAD BOLT	20	
33	W7971852504	TERMINAL PLATE	10	
34	W7431853104	CHANGE PLATE	6	
35	W0801832504	HEX. HEAD BOLT	20	
36	Y0040020000	LOCK WASHER	20	
37	Y0041420000	FLAT WASHER	20	
38	Y0010110040	HEX. HEAD BOLT	4	
38A	Y0040010000	LOCK WASHER	4	
38B	Y0041210000	FLAT WASHER	4	
61	W3871824004	STOPPER, CONTROL PANEL	2	
62	Y0041206000	FLAT WASHER	2	
63	Y0605010502	SNAP PIN	2	
64	G4214500303	COVER, CONTROL BOX	1	
65	Y0016908020	HEX. HEAD BOLT	10	
66	G4214301304	SIDE PANEL, CONTROL BOX	1	
67	G4214301404	SIDE PANEL, CONTROL BOX	1	
68	G4214301204	SIDE PANEL, CONTROL BOX	1	
69	Y0016908020	HEX. HEAD BOLT	15	
70	G4214400804	PANEL, CONTROL BOX	1	
71	Y0016908020	HEX. HEAD BOLT	14	
72	Y0016910025	HEX. HEAD BOLT	5	
73	Y0016908020	HEX. HEAD BOLT	3	
79	Y0013610055	HEX. HEAD BOLT	12	
79A	Y0030010000	HEX. NUT	12	
79B	Y0040010000	LOCK WASHER	12	
79C	Y0041210000	FLAT WASHER	24	
80	C4214500404	PANEL, CIRCUIT BREAKER.....	1.....	S/N 3941549 AND ABOVE
81	Y0016908020	HEX. HEAD BOLT	5.....	S/N 3941549 AND ABOVE
82	Y0601823240	RECTIFIER	2.....	S/N 3948042 AND ABOVE
83	Y0027104030	MACHINE SCREW	1.....	S/N 3948042 AND ABOVE
84	C3214601604	COVER	1.....	S/N 3959552 AND ABOVE
85	C3214100104	BRACKET	1.....	S/N 3959552 AND ABOVE
86	C3214100004	BRACKET	1.....	S/N 3959552 AND ABOVE
87	Y0016908020	HEX. HEAD BOLT	8.....	S/N 3959552 AND ABOVE

CONTROL BOX ASSY. (BASLER OPTION)



BASLER CONTROL PANEL
(REAR)

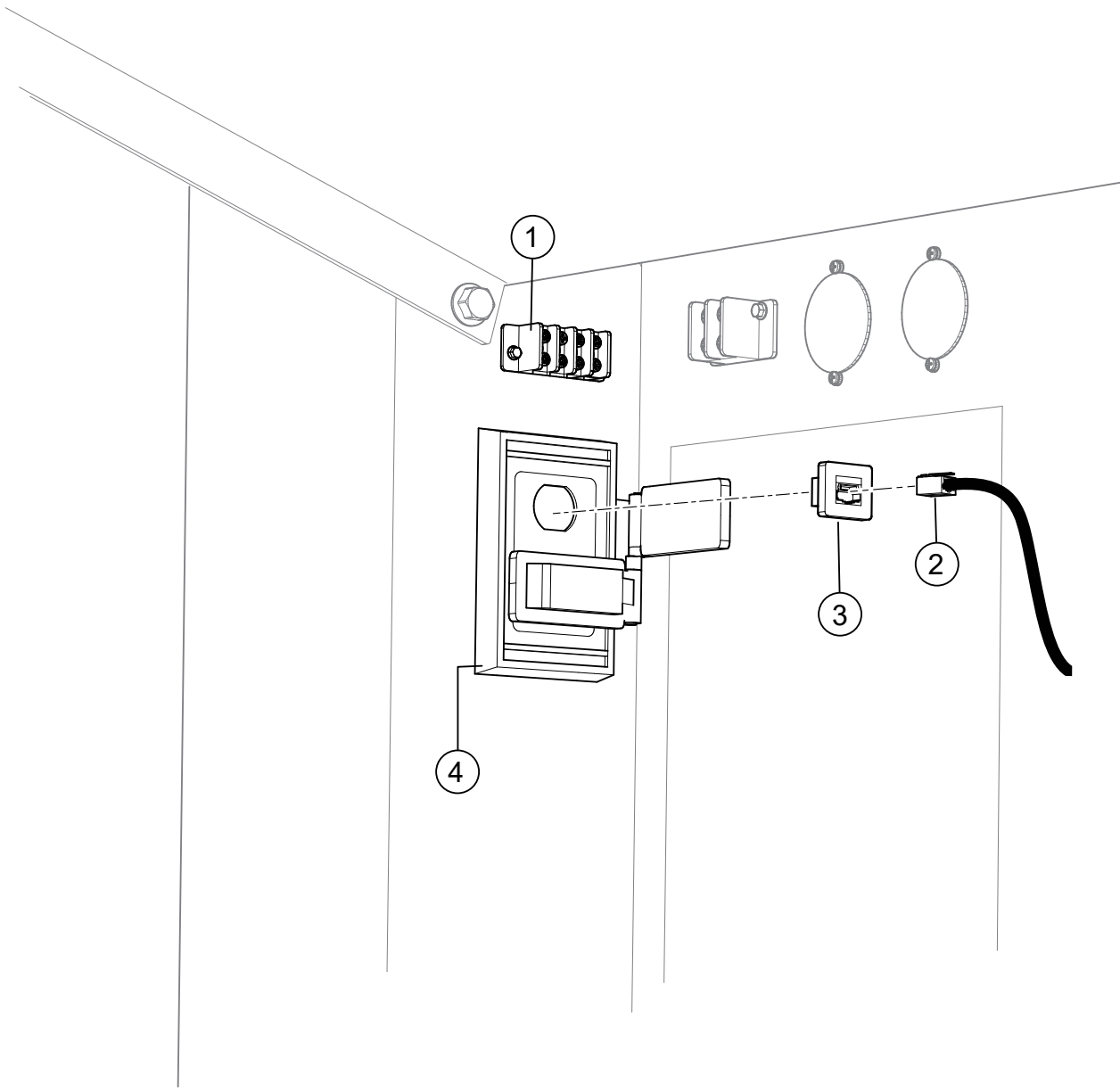


CONTROL BOX
(INSIDE)

CONTROL BOX ASSY. (BASLER OPTION)

<u>NO.</u>	<u>PART NO.</u>	<u>PART NAME</u>	<u>QTY.</u>	<u>REMARKS</u>
1	EE55784	CIRCUIT BREAKER (ABB), 3P, 10A, 480V	2	
2	EE55780	CABLE, ETHERNET 10FT	2	
3	EE26385	RELAY BASE	2	
4	EE10071	RAIL, DIN, ALUM., .413" X 1.37" X 36"	1	
5	EE23861	RELAY, 8-BLADE, 24V.....	2	
6	EE26135	RETAINER, RELAY	2	
7	EE26112	BLOCK, TERMINAL 14 POS.	14	
8	EE58065	ETHERNET SWITCH, 5 PORT 10-30VDC.....	1	
9	EE2940	END STOP, DIN RAIL	4	
10	EE32611	JUMPER, 3-POLE	1	
11	EE55785	SWITCH (ABB), AUX.....	2	
12	EE56188	CABLE, ETHERNET, GRAY 3 FT	1	
13	EE59200	HARNESS, PARALLELING	1	
14	EE26107	END PLATE, TERMINAL	5	
15	EE59568	CONVERTER, 24-36 VDC TO 24VDC.....	1	

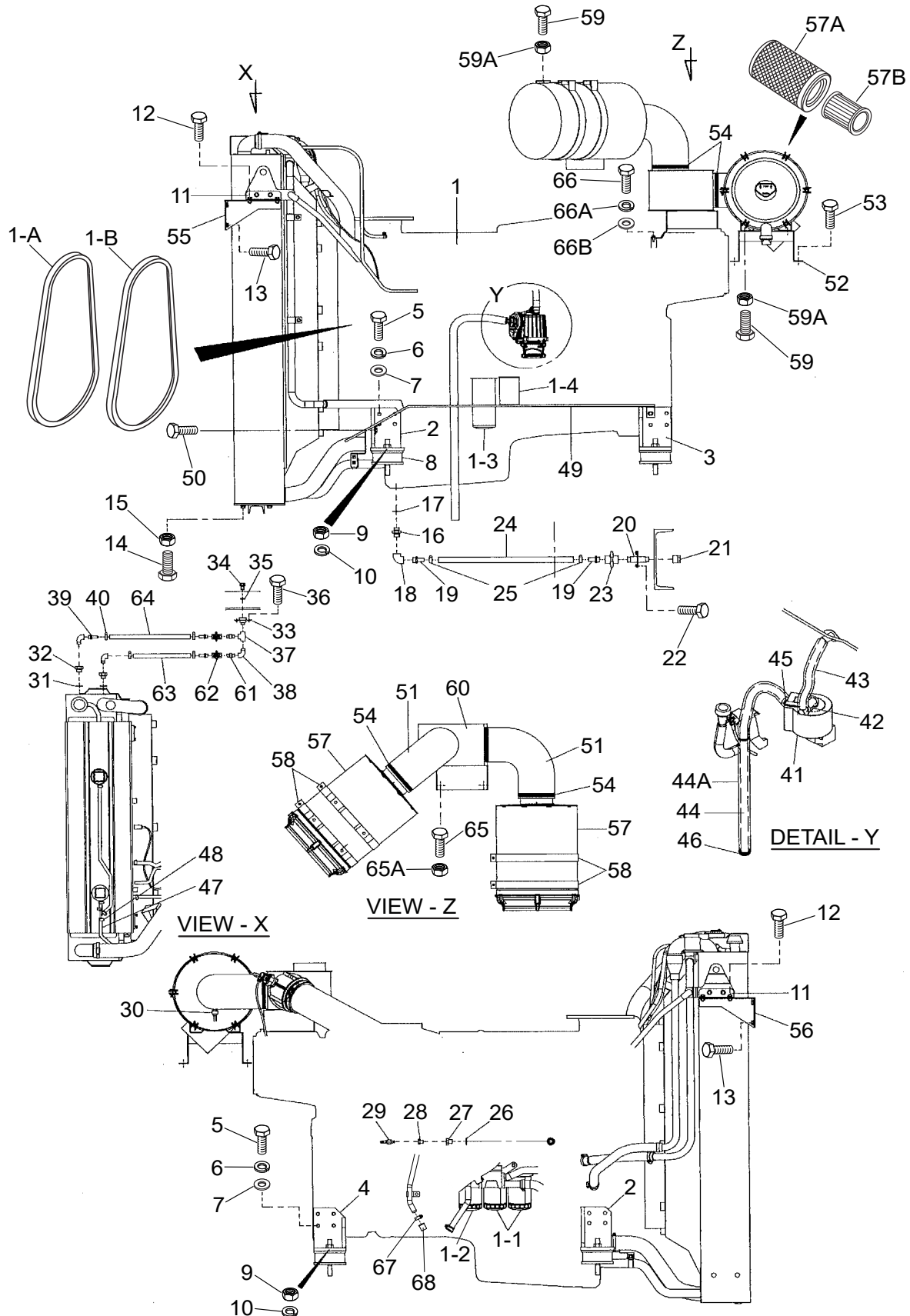
ETHERNET CABLE ASSY. (BASLER OPTION)



ETHERNET CABLE ASSY. (BASLER OPTION)

<u>NO.</u>	<u>PART NO.</u>	<u>PART NAME</u>	<u>QTY.</u>	<u>REMARKS</u>
1	EE59027	TERMINAL BLOCK, 4-POS.	1	
2	EE55780	CABLE, ETHERNET CAT5E SHIELDED 50FT .1		
3	EE55760	JACK, FEEDTHROUGH, RJ45, CAT5E	2	
4	EE58796	COVER, NONMETALLIC, WEATHERPROOF	1	

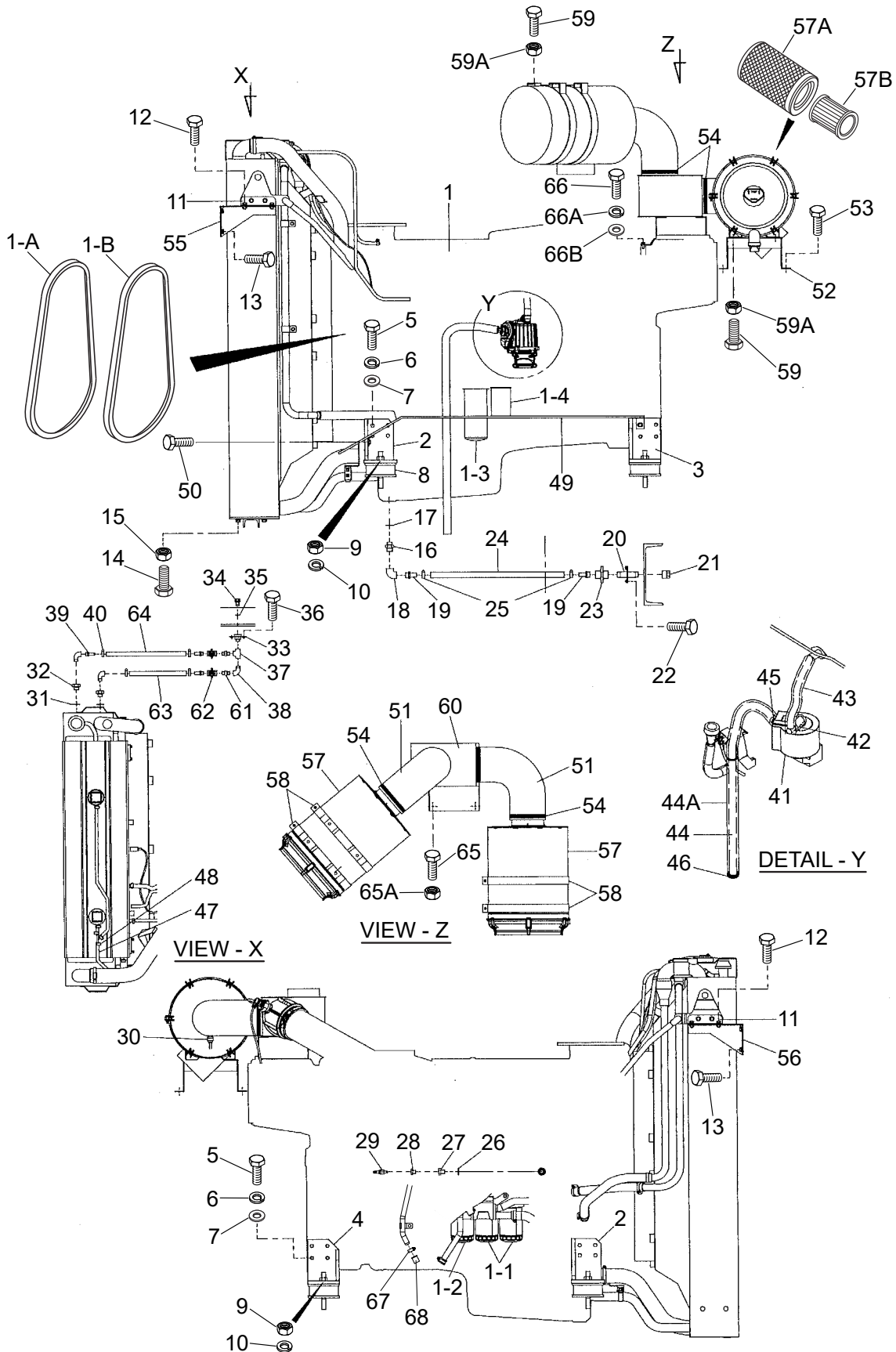
ENGINE AND RADIATOR ASSY.



ENGINE AND RADIATOR ASSY.

<u>NO.</u>	<u>PART NO.</u>	<u>PART NAME</u>	<u>QTY.</u>	<u>REMARKS</u>
1	C4924200364	ENGINE AND RADIATOR SET (TWD1672GE).1.....	1	INCLUDES ITEMS W/#
1A#	3883978	BELT, FAN.....	1	REPLACES P/N Y0602015238
1B#	20995830	BELT, ALTERNATOR.....	1	REPLACES P/N Y0602015239
1-1#	23075366	CARTRIDGE, OIL FILTER, FULL-FLOW.....	2	REPLACES P/N Y0602041229
1-2#	23075367	CARTRIDGE, OIL FILTER, BY-PASS	1	REPLACES P/N Y0602041228
1-3#	22480372	CARTRIDGE, FUEL FILTER.....	1	REPLACES P/N Y0602042563
1-4#	20998367	CARTRIDGE, FUEL PRE-FILTER	1	REPLACES P/N Y0602042769
2	C4304201204	ENGINE FOOT	2	
3	C4304201004	ENGINE FOOT	1	
4	C4304200904	ENGINE FOOT	1	
5	Y0013616040	HEX. HEAD BOLT	16	
6	Y0040016000	LOCK WASHER	16	
7	Y0041216000	FLAT WASHER	16	
8	Y0605000012	RUBBER SUSPENSION	4	
9	Y0030020000	HEX. NUT	8	
10	Y0040020000	LOCK WASHER	8	
11	C4311100804	BRACKET, RADIATOR	2	
12	Y0016910025	HEX. HEAD BOLT	4	
13	Y0016910025	HEX. HEAD BOLT	4	
14	Y0017112035	HEX. HEAD BOLT	4	
15	Y0207012000	HEX. NUT	4	
16	W6452025504	DRAIN JOINT	1	
17	W0802024004	PACKING	1	
18	Y0130008000	ELBOW JOINT, 3/4"	1	
19	Y0602022294	HOSE JOINT	2	
20	C0321200004	DRAIN JOINT	1	
21	C0321300004	CAP	1	
22	Y0019208025	HEX. HEAD BOLT	2	
23	Y0603325017	VALVE	1	
24	Y0265801000	DRAIN HOSE	1	
25	Y0605515074	HOSE BAND	2	
26	Y0602012342	PACKING	1	VOLVO 18677
27	Y0603306592	ADAPTER	1	VOLVO 191068
28	Y0603306869	ADAPTER	1	VOLVO 479954
29	Y0602012072	VALVE	1	VOLVO 997641
30	Y0602040679	DUST SENSOR	2	
31	Y0602021197	SEAL WASHER	2	
32	A6320200004	DRAIN JOINT	2	
33	B1368701103	DRAIN JOINT	1	
34	W0802011104	PLUG	1	
35	Y0150000018	O-RING	1	
36	Y0019206025	HEX. HEAD BOLT	2	
37	Y0130404000	T-JOINT 3/8"	1	
38	Y0130204000	STREET ELBOW 3/8"	3	
39	Y0602022291	HOSE JOINT	4	
40	Y0605515132	HOSE BAND	4	

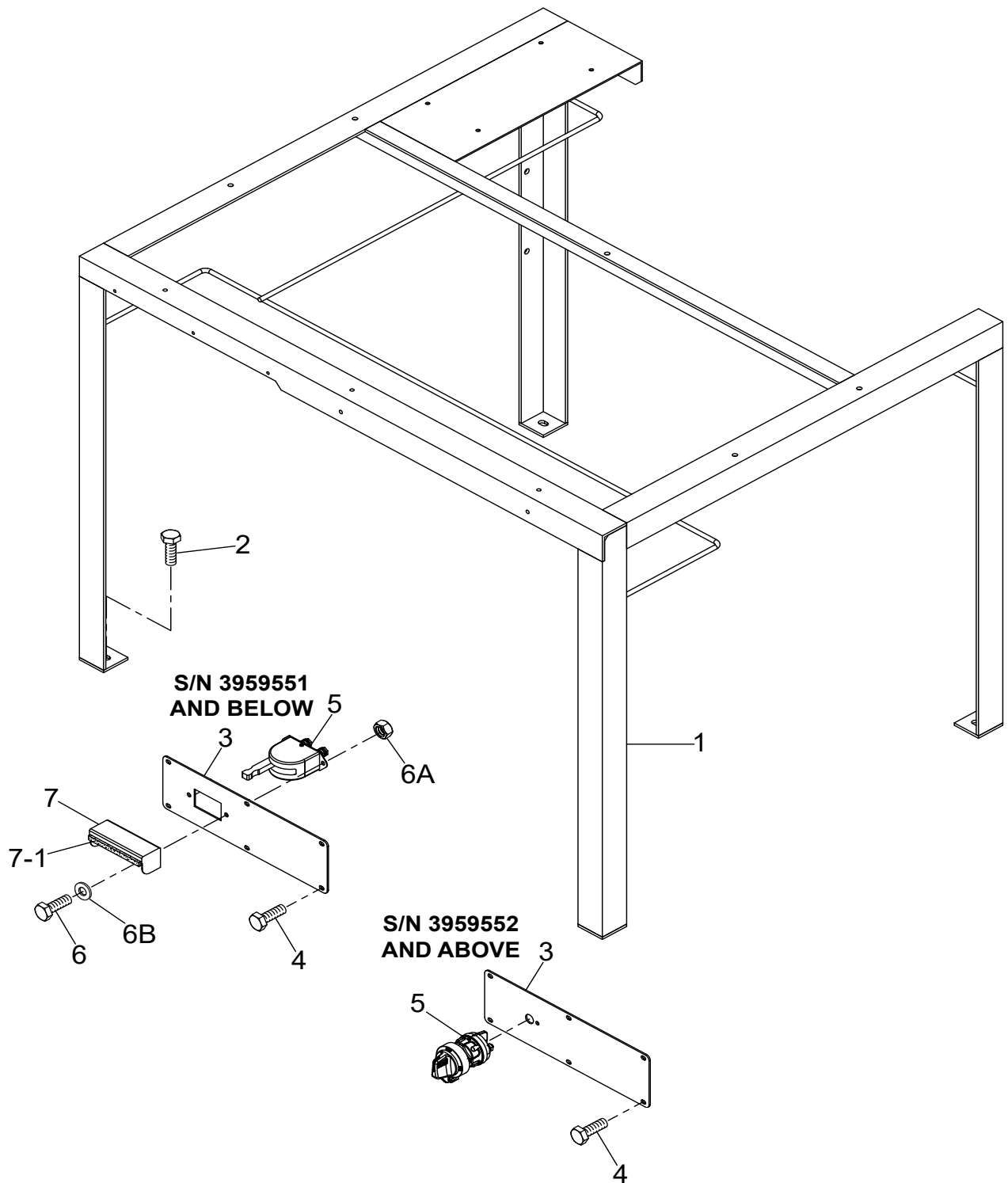
ENGINE AND RADIATOR ASSY. (CONT'D.)



ENGINE AND RADIATOR ASSY. (CONT'D.)

<u>NO.</u>	<u>PART NO.</u>	<u>PART NAME</u>	<u>QTY.</u>	<u>REMARKS</u>
41	Y0602044507	COVER, BLOWBY FILTER	1	
42	Y0378700080	AEROFLEX TUBE	1	
43	Y0378700450	AEROFLEX TUBE	1	
44	C4327100403	BLOWBY HOSE	1	
44A	Y0378501160	AEROFLEX TUBE	1	
45	Y0605515067	HOSE BAND	1	
46	Y0601851769	GROMMET	1	
47	Y0191302100	OVERFLOW HOSE	1	
48	Y0605515109	HOSE BAND	1	
49	C4358301404	CLAMPER ROD	1	
50	Y0017110040	HEX. HEAD BOLT	1	
51	C4374100004	HOSE, AIR CLEANER	2	
52	C4374200704	BRACKET, AIR CLEANER	1	
53	Y0016908020	HEX. HEAD BOLT	4	
54	Y0605515260	HOSE BAND	4	
55	C4311101204	BRACKET, RADIATOR	1	
56	C4311101304	BRACKET, RADIATOR	1	
57	Y0602046539	AIR CLEANER.....	2.....	INCLUDES ITEMS W/#
57A#	Y0602046628	ELEMENT, AIR CLEANER OUTER	2	
57B#	Y0602046629	ELEMENT, AIR CLEANER INNER	2	
58	Y0602040582	BAND, AIR CLEANER	4	
59	Y0016910025	HEX. HEAD BOLT	8	
59A	Y0207010000	HEX. NUT	8	
60	C4484600603	INTAKE DUCT	1	
61	Y0131504000	NIPPLE 3/8"	2	
62	Y0603325013	VALVE	2	
63	Y0371700310	DRAIN HOSE	1	
64	Y0371700430	DRAIN HOSE	1	
65	Y0016910025	HEX. HEAD BOLT	4	
65A	Y0207010000	HEX. NUT	4	
66	Y0445008025	HEX. HEAD BOLT	2	
66A	Y0040008000	LOCK WASHER	2	
66B	Y0042808025	FLAT WASHER	2	
67	Y0605515073	HOSE BAND.....	1.....	S/N 3951735 AND ABOVE
68	Y0602016000	CAP.....	1.....	S/N 3951735 AND ABOVE

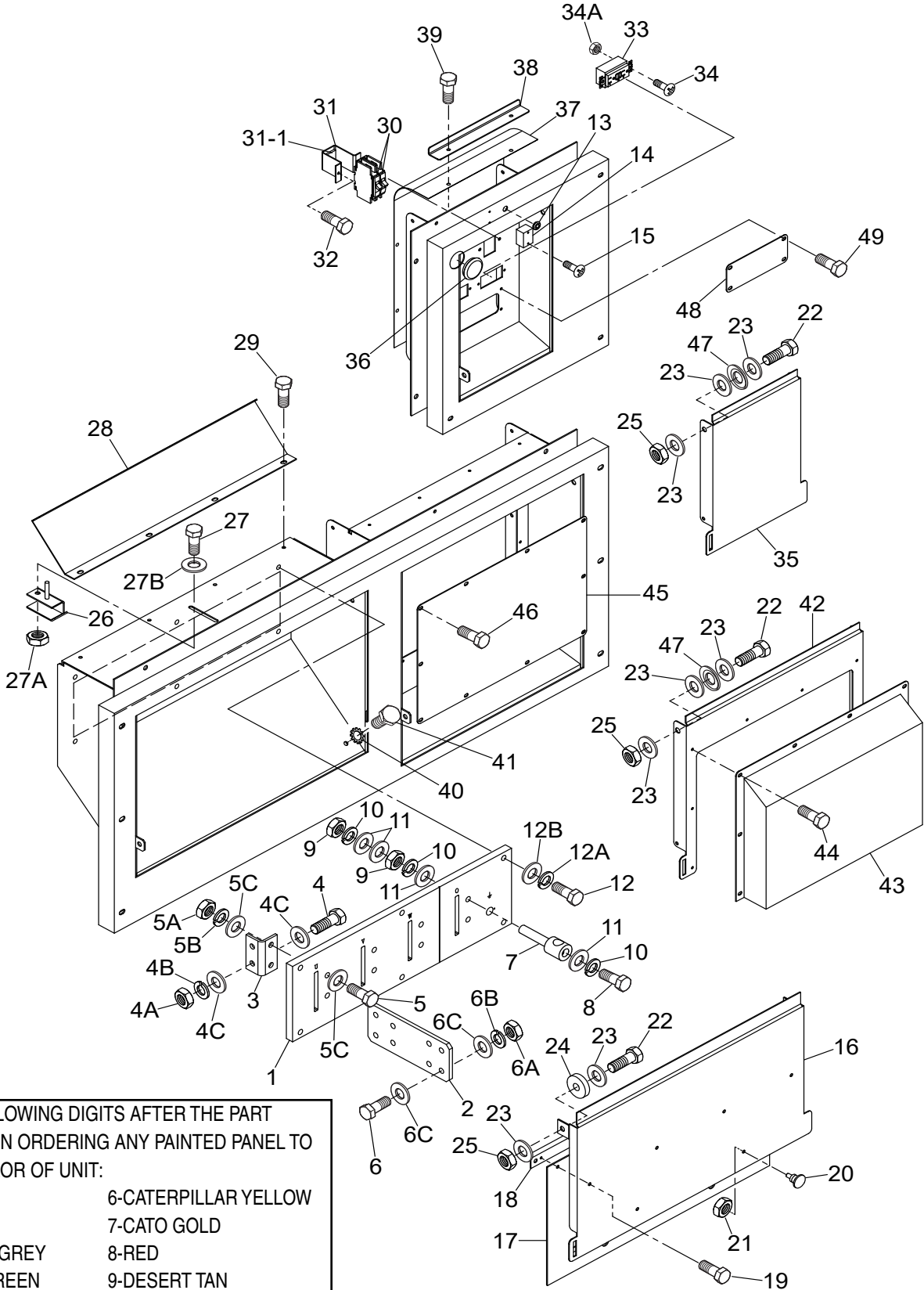
ENGINE OPERATING PANEL ASSY.



ENGINE OPERATING PANEL ASSY.

<u>NO.</u>	<u>PART NO.</u>	<u>PART NAME</u>	<u>QTY.</u>	<u>REMARKS</u>
1	C4484004102	SUPPORT LEG	1	
2	Y0017112030	HEX. HEAD BOLT	4	
3	C3352102604	OPERATING PANEL	1.....	S/N 3959551 AND BELOW
3	C3352102614	OPERATING PANEL.....	1.....	S/N 3959552 AND ABOVE
4	Y0016906020	HEX. HEAD BOLT	6	
5	Y0602101000	BATTERY SWITCH	1.....	S/N 3959551 AND BELOW
5	Y0602101070	BATTERY SWITCH.....	1.....	S/N 3959552 AND ABOVE
6	Y0010108080	HEX. HEAD BOLT	2.....	S/N 3959551 AND BELOW
6A	Y0207008000	HEX. NUT	2.....	S/N 3959551 AND BELOW
6B	Y0041208000	FLAT WASHER	2.....	S/N 3959551 AND BELOW
7	C3352700204	COVER, BATTERY SWITCH	1.....	S/N 3959551 AND BELOW
7-1	Y0226900135	RUBBER SEAL	1.....	S/N 3959551 AND BELOW

OUTPUT TERMINAL ASSY.



ADD THE FOLLOWING DIGITS AFTER THE PART NUMBER WHEN ORDERING ANY PAINTED PANEL TO INDICATE COLOR OF UNIT:

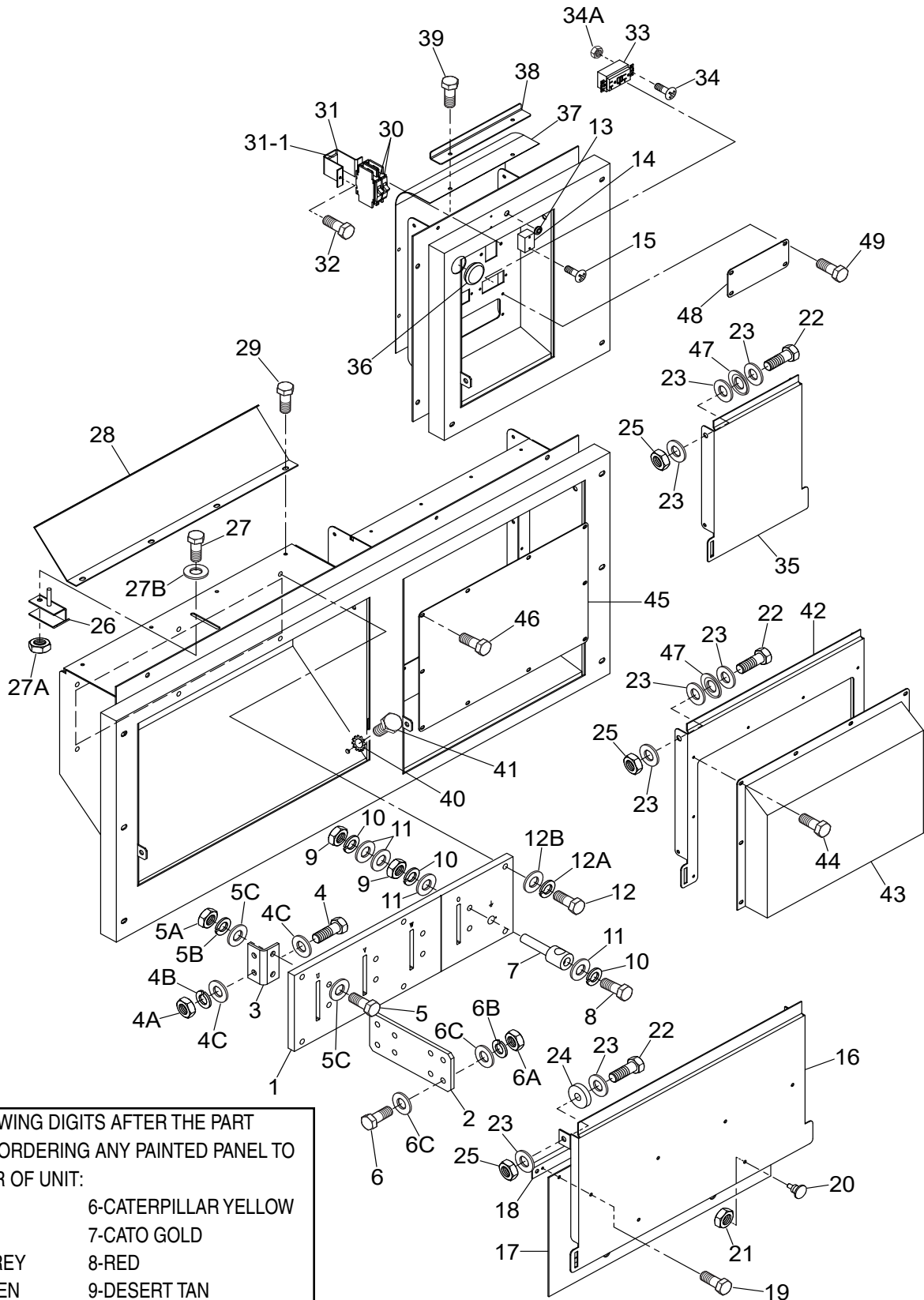
1-ORANGE	6-CATERPILLAR YELLOW
2-WHITE	7-CATO GOLD
3-SPECTRUM GREY	8-RED
4-SUNBELT GREEN	9-DESERT TAN
5-BLACK	

THE SERIAL NUMBER MAY BE REQUIRED.

OUTPUT TERMINAL ASSY.

<u>NO.</u>	<u>PART NO.</u>	<u>PART NAME</u>	<u>QTY.</u>	<u>REMARKS</u>
1	C4231700603	SET BOARD, OUTPUT TERMINAL	1	
2	W7521860504	OUTPUT TERMINAL	4	
3	W7521850504	BRACKET, OUTPUT TERMINAL	4	
4	Y0010112040	HEX. HEAD BOLT	8	
4A	Y0030012000	HEX. NUT	8	
4B	Y0040012000	LOCK WASHER	8	
4C	Y0041212000	FLAT WASHER	16	
5	Y0010112045	HEX. HEAD BOLT	8	
5A	Y0030012000	HEX. NUT	8	
5B	Y0040012000	LOCK WASHER	8	
5C	Y0041212000	FLAT WASHER	16	
6	Y0010112040	HEX. HEAD BOLT	24	
6A	Y0030012000	HEX. NUT	24	
6B	Y0040012000	LOCK WASHER	24	
6C	Y0041212000	FLAT WASHER	48	
7	W0801830404	TERMINAL	1	
8	W0801830904	HEX. HEAD BOLT	1	
9	Y0039320000	HEX.NUT	2	
10	Y0040020000	LOCK WASHER	3	
11	Y0041420000	FLAT WASHER	4	
12	Y0019112050	HEX. HEAD BOLT	6	
12A	Y0042312000	LOCK WASHER	6	
12B	Y0042412000	FLAT WASHER	6	
13	Y0601850275	GROMMET	1	
14	Y0601815324	TERMINAL BOARD	1	
15	Y0025304020	MACHINE SCREW	2	
16	C4237106704	COVER, OUTPUT TERMINAL	1	
17	C4237403204	RUBBER SHEET	1	
18	C4237403304	SET PLATE, RUBBER SHEET	1	
19	Y0019206020	HEX. HEAD BOLT	4	
20	Y0605010660	KNOB, KMM-21 X M6	2	
21	Y0207006000	HEX. NUT	2	
22	Y0019112045	HEX. HEAD BOLT	6	
23	Y0042412000	FLAT WASHER	16	
24	W0805009804	STAY RUBBER	2	
25	Y0030012000	HEX. NUT	6	
26	W7521865603	STOPPER	1	
27	Y0019108030	HEX. HEAD BOLT	1	
27A	Y0030008000	HEX. NUT	1	
27B	Y0041208000	FLAT WASHER	2	
28	C4237106504	COVER	1	
29	Y0016908020	HEX. HEAD BOLT	4	
30	Y0601808803	CIRCUIT BREAKER, 20A	2	
31	C4261603104	BRACKET, CIRCUIT BREAKER	1	
31-1	Y0222100035	RUBBER CUSHION	1	
32	Y0019206020	HEX. HEAD BOLT	2	

OUTPUT TERMINAL ASSY. (CONT'D.)



ADD THE FOLLOWING DIGITS AFTER THE PART NUMBER WHEN ORDERING ANY PAINTED PANEL TO INDICATE COLOR OF UNIT:

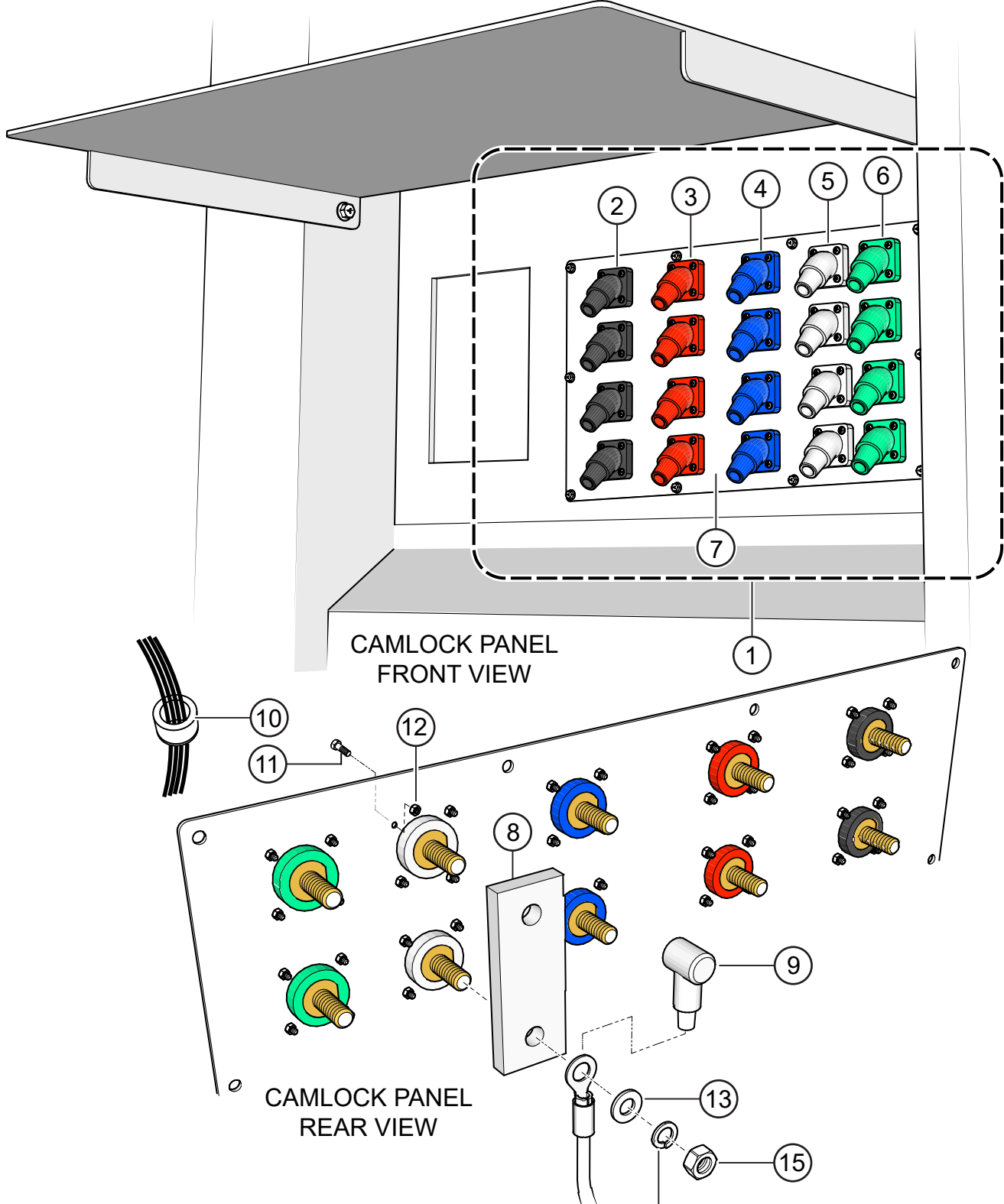
1-ORANGE	6-CATERPILLAR YELLOW
2-WHITE	7-CATO GOLD
3-SPECTRUM GREY	8-RED
4-SUNBELT GREEN	9-DESERT TAN
5-BLACK	

THE SERIAL NUMBER MAY BE REQUIRED.

OUTPUT TERMINAL ASSY. (CONT'D.)

<u>NO.</u>	<u>PART NO.</u>	<u>PART NAME</u>	<u>QTY.</u>	<u>REMARKS2</u>
33	Y0601814024	RECEPTACLE	2.....	S/N 3957245 AND BELOW
33	Y0601814034	RECEPTACLE	2.....	S/N 3957246 AND ABOVE
34	Y0025304020	MACHINE SCREW	4	
34A	Y0207004000	HEX. NUT	4	
35	C4237106604	COVER	1	
36	Y0601851780	GROMMET	2	
37	C4237106904	COVER	1	
38	C4237400804	BRACKET	1	
39	Y0016906015	HEX. HEAD BOLT	2	
40	Y0040510000	TOOTHED WASHER	1	
41	Y0019210025	HEX. HEAD BOLT	1	
42	C4237106803	COVER	1.....	S/N 3948041 AND BELOW
42	C4237106813	COVER	1.....	S/N 3948042 AND ABOVE
43	C4237403504	COVER	1.....	S/N 3948041 AND BELOW
43	C4237403514	COVER	1.....	S/N 3948042 AND ABOVE
44	Y0019206015	HEX. HEAD BOLT	6.....	S/N 3948041 AND BELOW
44	Y0019206015	HEX. HEAD BOLT	8.....	S/N 3948042 AND ABOVE
45	C4454400504	PLATE	1	
46	Y0019206015	HEX. HEAD BOLT	10	
47	Y0605050060	CONICAL SPRING WASHER	4	
48	C3454701704	PLATE	1.....	S/N 3957246 AND ABOVE
49	Y0019206020	HEX. HEAD BOLT	4.....	S/N 3957246 AND ABOVE

CAMLOCK PANEL ASSY. (OPTION)



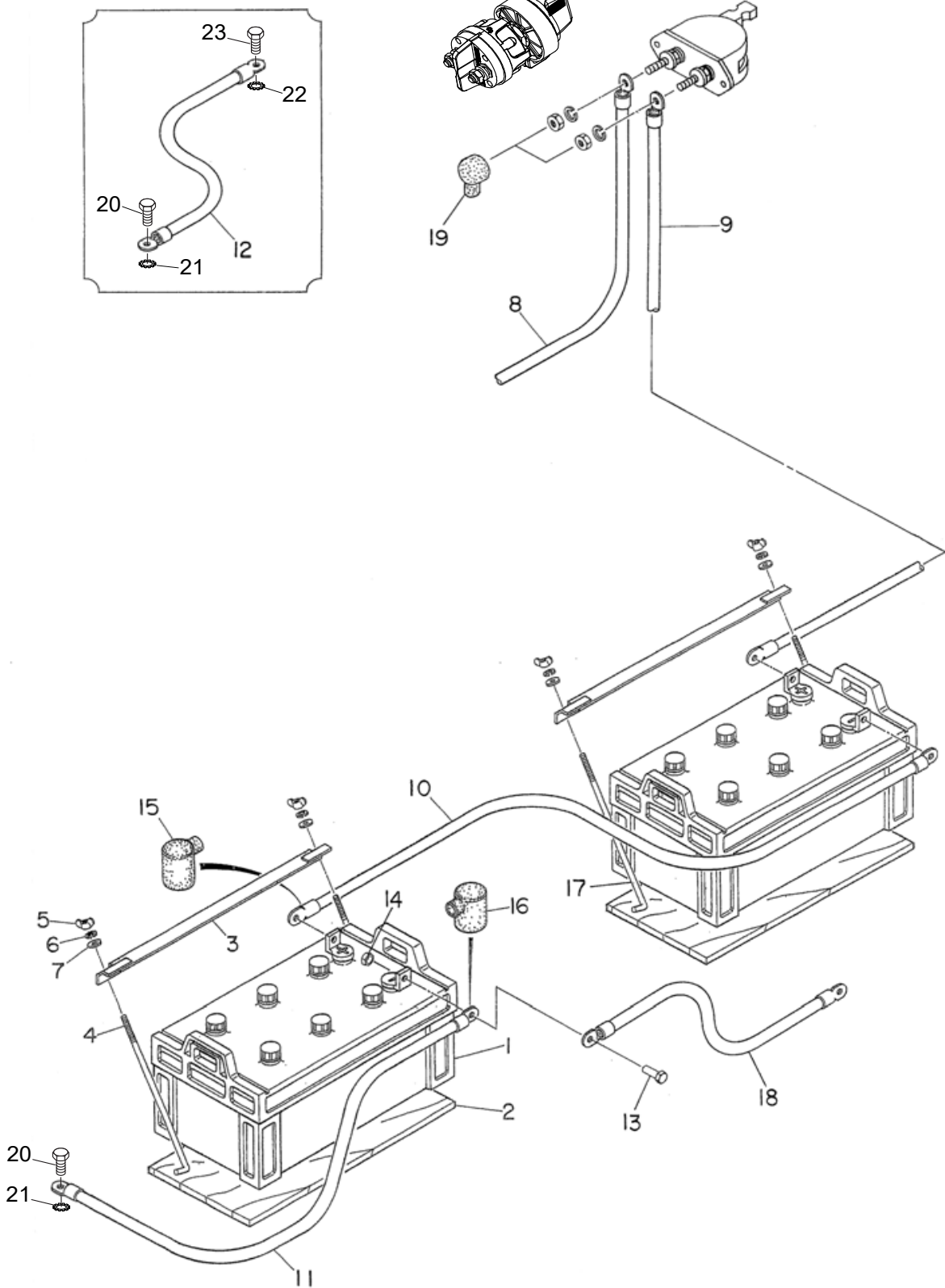
CAMLOK PANEL ASSY. (OPTION)

NO.	PART NO.	PART NAME	QTY.	REMARKS
1	CAMLOK4KIT45L	CAMLOK 4 SET 45°	1.....	INCLUDES ITEMS W/#
2#	EE60030	CAMLOCK, FEMALE, 45°, BLACK	4	
3#	EE60032	CAMLOCK, FEMALE, 45°, RED	4	
4#	EE60033	CAMLOCK, FEMALE, 45°, BLUE	4	
5#	EE60031	CAMLOCK, FEMALE, 45°, WHITE	4	
6#	EE60034	CAMLOCK, FEMALE, 45°, GREEN	4	
7#	EE61337	PANEL, FOUR CONDUCTOR CAMLOK	1	
8#	EE61344	BUS BAR, 4 SET CAMLOK, 1/4" COPPER	4	
9#	EE59031	CAP, TERMINAL INSULATOR	20	
10#	EE10489	TRANSFORMER, CURRENT, 1000:5	1	
11#		SCREW, PAN HEAD, CROSS,10-32 X 1"	80	
12#		NUT, EXT. TOOTH LOCK, STEEL 10-32	80	
13#		FLAT WASHER, SAE 1/2", BRASS	20	
14#		HELICAL LOCK WASHER, SAE 1/2" BRASS	20	
15#		HEX NUT, 1/2-13,BRASS	20	

BATTERY ASSY.

S/N 3959552 AND ABOVE

S/N 3959551 AND BELOW



BATTERY ASSY.

<u>NO.</u>	<u>PART NO.</u>	<u>PART NAME</u>	<u>QTY.</u>	<u>REMARKS</u>
1	Y0165721052	BATTERY, 210H52	2	
2	C9109100704	BATTERY SHEET	2	
3	W0805007804	BATTERY BAND	2	
4	W0805006504	BATTERY BOLT	2	
5	Y0037808000	WING NUT	4	
6	Y0040008000	LOCK WASHER	4	
7	Y0041208000	FLAT WASHER	4	
8	C4347603704	BATTERY CABLE	1	S/N 3959551 AND BELOW
8	C4347603714	BATTERY CABLE	1	S/N 3959552 AND ABOVE
9	C4347603604	BATTERY CABLE	1	S/N 3959551 AND BELOW
9	C4347603614	BATTERY CABLE	1	S/N 3959552 AND ABOVE
10	C4347604104	BATTERY CABLE	1	
11	C4347603904	BATTERY CABLE	1	
12	C4347603804	EARTH CABLE	1	
13	Y0347010030	HEX. HEAD BOLT	4	
14	Y0208110000	HEX. NUT	4	
15	W0845040114	TERMINAL CAP (+)	2	
16	W0845041004	TERMINAL CAP (-)	3	
17	W0805001404	BATTERY BOLT	2	
18	C4347604004	BATTERY CABLE	1	
19	W0845040414	TERMINAL CAP (+)	2	
20	Y0012316050	HEX. HEAD BOLT	2	
21	Y0040516000	TOOTHED WASHER	2	
22	Y0040512000	TOOTHED WASHER	1	
23	Y0017112025	HEX. HEAD BOLT	1	

MUFFLER ASSY.

<u>NO.</u>	<u>PART NO.</u>	<u>PART NAME</u>	<u>QTY.</u>	<u>REMARKS</u>
3	Y0602330430	SENSOR, NOX	1.....	VOLVO 22827993
4	Y0602330431	HEX. HEAD BOLT	2.....	VOLVO 984726
5	Y0602330432	TEMPERATURE SENSOR.....	1.....	VOLVO 21164790
6	Y0602330340	SCR MUFFLER	1.....	VOLVO 22297270
7	Y0010116050	HEX. HEAD BOLT	4	
7A	Y0040016000	LOCK WASHER	4	
7B	Y0041216000	FLAT WASHER	4.....	S/N 3941548 AND BELOW
7B	Y0041216000	FLAT WASHER.....	8.....	S/N 3941549 AND ABOVE
7C	Y0030016000	HEX. NUT	4.....	S/N 3941549 AND ABOVE
8	C4334202404	PACKING	2	
16	Y0602330497	VALVE	1.....	VOLVO 21831531
17	Y0602322003	HEX. HEAD BOLT.....	3.....	VOLVO 60111689
20	Y0602330434	EXHAUST PIPE.....	1.....	VOLVO 21570539
21	Y0602330435	INJECTION PIPE.....	1.....	VOLVO 22297286
22	C4334001303	EXHAUST PIPE	1	
22A	Y0602311149	EXHAUST HEAT SHIELD	1	
22B	Y0602311166	EXHAUST HEAT SHIELD	1	
23	C4334106503	TAIL PIPE	1	
24	Y0602320250	GASKET	5.....	VOLVO 3849220
25	Y0602322000	HEX. HEAD BOLT.....	40.....	VOLVO 994411
25A	Y0602323100	LOCK WASHER.....	40.....	VOLVO 994896
25B	Y0602323089	HEX. NUT	40.....	VOLVO 990972
26	C4331302104	COVER	1	
27	C4331401504	BRACKET	1	
28	C4331401604	SPACER	2	
29	Y0603320150	U BOLT	2	
30	Y0207312000	HEX. NUT	4	
31	C4331402404	BRACKET	1	
32	C4331401804	HARNES CLAMPER	1	
33	Y0401100200	TUBE	1	
34	Y0601001105	BAND	2	
35	Y0602311169	EXHAUST HEAT SHIELD	1	
36	Y0602311159	EXHAUST HEAT SHIELD	1	
45	Y0371602450	HOSE	1	
46	Y0371602450	HOSE	1	
61	Y0601851767	GROMMET	2	
63	Y0602220911	CLAMPER	1	
64	Y0016908020	HEX. HEAD BOLT	1	
64A	Y0041210000	FLAT WASHER	1	

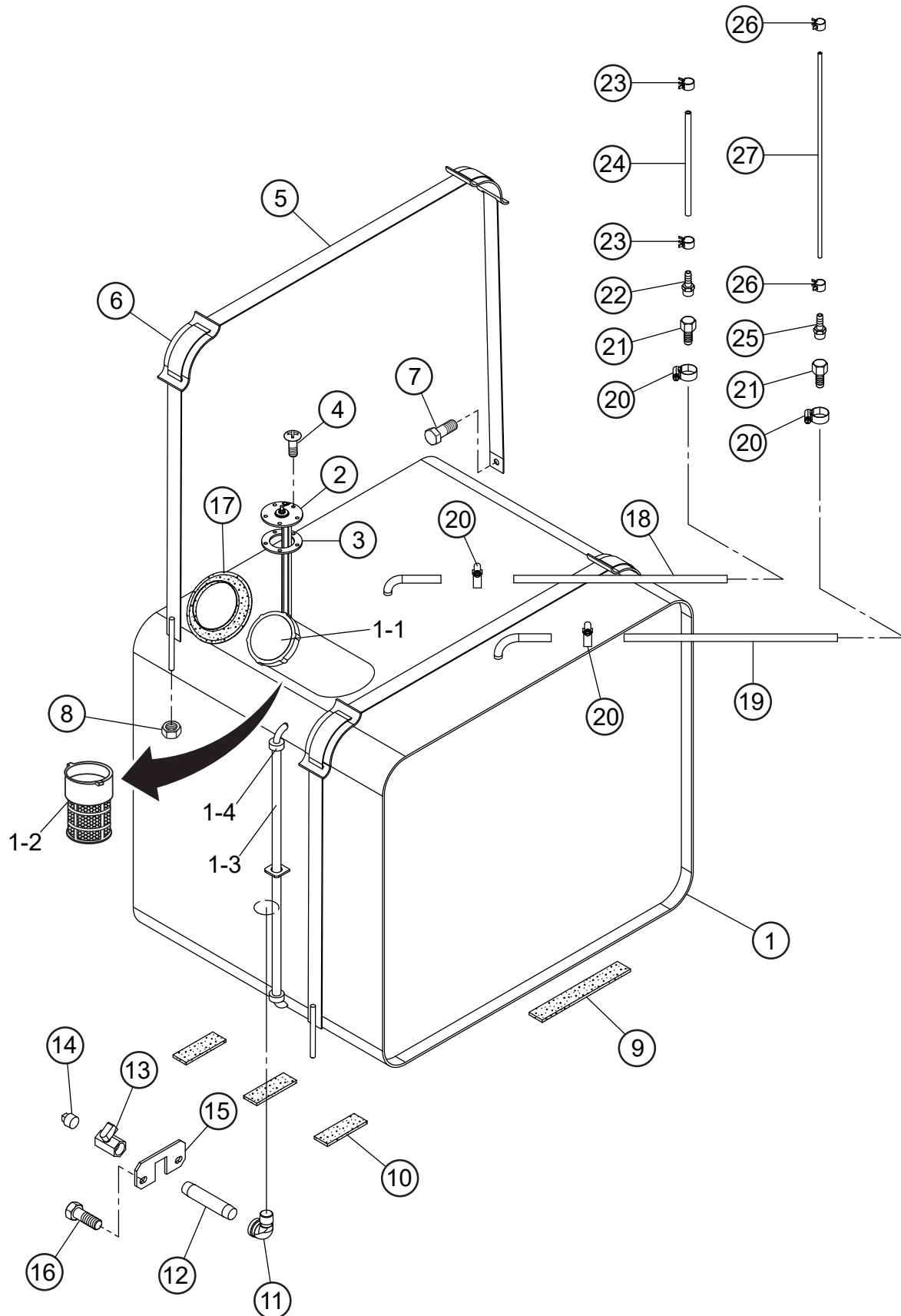
DEF TANK ASSY.

<u>NO.</u>	<u>PART NO.</u>	<u>PART NAME</u>	<u>QTY.</u>	<u>REMARKS</u>
1	Y0602330500	SOLENOID VALVE.....	1.....	VOLVO 21243933
2	Y0016908025	HEX. HEAD BOLT	2	
2A	Y0041210000	FLAT WASHER	2	
9	Y0602330501	ACM BRACKET	1.....	VOLVO 21742713
10	Y0602330439	ACM CONTROL UNIT	1.....	VOLVO 22449432
11	Y0602323088	HEX. NUT	4.....	VOLVO 990940
12	Y0602330495	HARNESS CONNECTION PANEL.....	1.....	VOLVO 22802089
13	Y0602322001	HEX. HEAD BOLT.....	4.....	VOLVO 984733
14	Y0602330496	PUMPING UNIT.....	1.....	VOLVO 21932992
14A	21376707	COVER, PUMPING UNIT	1	
14B	21516229	FILTER KIT, PUMPING UNIT	1	
15	Y0602322002	HEX. HEAD BOLT.....	3.....	VOLVO 984743
18	Y0602330433	DEF TANK.....	2.....	VOLVO 22836562
19	C4484501003	BRACKET	2	
37	Y0602330436	HOSE.....	1.....	VOLVO 22494354
				S/N 3959551 AND BELOW
37	Y0602330502	HOSE.....	1.....	VOLVO 22494349
				S/N 3959552 AND ABOVE
38	Y0602330437	HOSE.....	1.....	VOLVO 21923023
				S/N 3959551 AND BELOW
38	Y0602330503	HOSE.....	1.....	VOLVO 21923021
				S/N 3959552 AND ABOVE
39	Y0602330438	HOSE.....	1.....	VOLVO 22183529
40	Y0602330490	CONNECTOR	8.....	VOLVO 20805110
41	Y0602330491	CONNECTOR.....	4.....	VOLVO 20805109
42	Y0602330492	HOSE NIPPLE.....	2.....	VOLVO 20405767
43	Y0602330493	GASKET	2.....	VOLVO 976929
44	Y0602330494	HOSE BAND.....	14.....	VOLVO 994556
47	Y0371603150	HOSE	1.....	S/N 3959551 AND BELOW
47	Y0371603510	HOSE.....	1.....	S/N 3959552 AND ABOVE
48	Y0371603510	HOSE	1.....	S/N 3959551 AND BELOW
48	Y0371603150	HOSE.....	1.....	S/N 3959552 AND ABOVE
49	Y0371600820	HOSE	1	
50	Y0371600350	HOSE	1	
51	Y0371600950	HOSE	1	
52	Y0602330498	AIR CLEANER.....	2.....	VOLVO 21743197
53	Y0602330499	HOSE BAND.....	2.....	VOLVO 975267
54	Y0262701460	HOSE	1	
55	Y0262701860	HOSE	1	
56	Y0603306865	BUSHING	2	
57	Y0603309061	HOSE NIPPLE	2	
58	C4331401404	HOSE	1	
59	Y0605515132	HOSE BAND	2	

DEF TANK ASSY. (CONT'D.)

<u>NO.</u>	<u>PART NO.</u>	<u>PART NAME</u>	<u>QTY.</u>	<u>REMARKS</u>
60	Y0601851756	GROMMET	1	
62	C4331401704	BRACKET	1	
62-1	Y0222100050	RUBBER CUSHION	2	
65	Y0016910025	HEX. HEAD BOLT	8	
66	011008020	HEX. HEAD BOLT	8.....	REPLACES P/N 0016908020

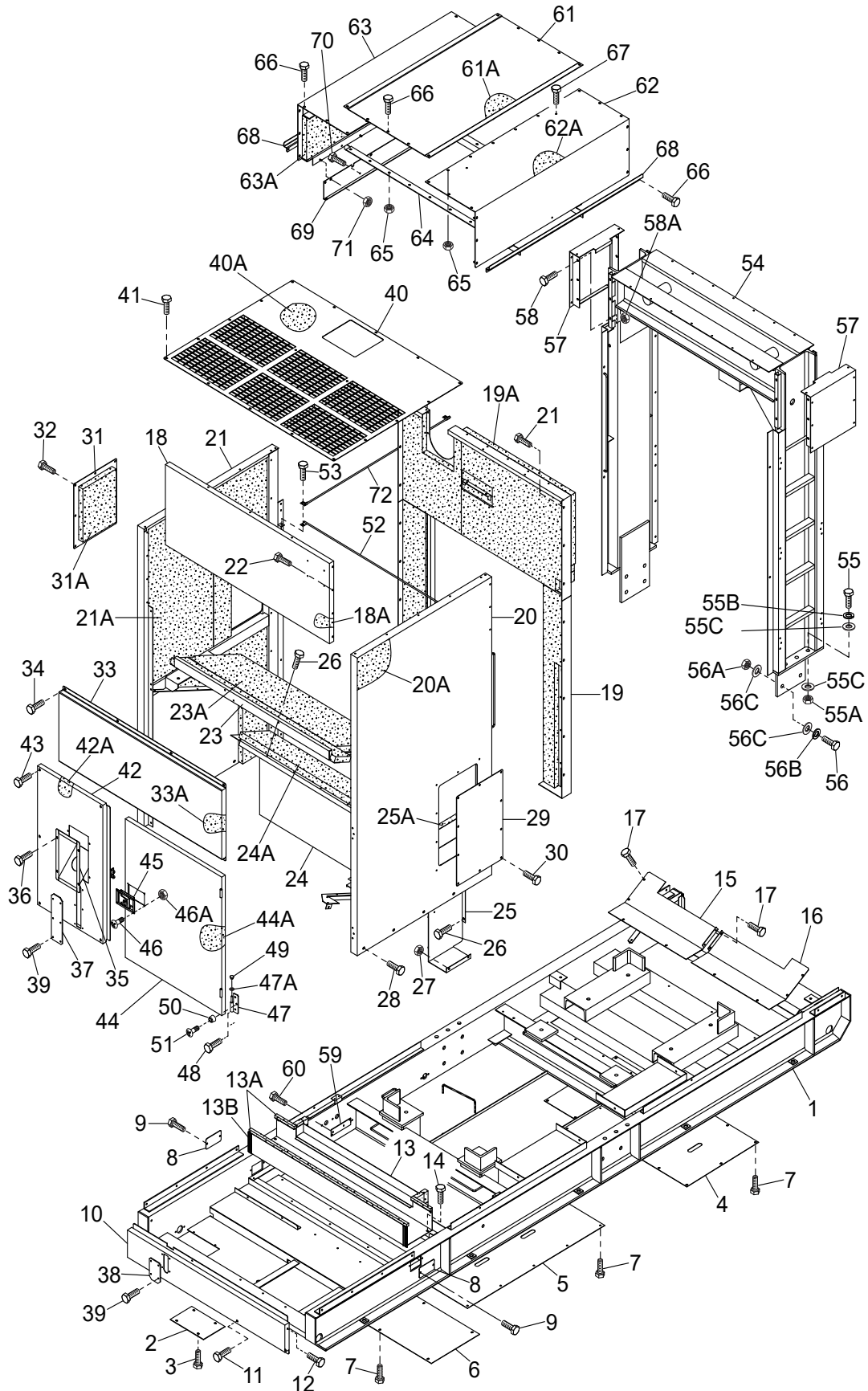
FUEL TANK ASSY.



FUEL TANK ASSY.

<u>NO.</u>	<u>PART NO.</u>	<u>PART NAME</u>	<u>QTY.</u>	<u>REMARKS</u>
1	C4364004303	FUEL TANK	1.....	INCLUDES ITEMS W/#
1-1#	Y0605505025	CAP, FUEL TANK	1	
1-2#	Y0605505105	FUEL FILTER	1	
1-3#	Y0264100505	HOSE, FUEL GAUGE	1	
1-4#	Y0605515079	HOSE BAND	2	
2	C1924300264	FUEL SENDER	1	
3	B3924300184	GASKET	1	
4	Y0021005010	MACHINE SCREW	5	
5	C4364200304	TANK BAND	2	
6	W0805003414	PAD, TANK BAND	4	
7	011008020	HEX. HEAD BOLT	2.....	REPLACES P/N 0016908020
8	Y0207608000	U NUT	2	
9	Y0222100200	TANK SHEET	3	
10	Y0222100090	TANK SHEET	3	
11	Y0130206000	STREET ELBOW, 1/2"	1	
12	Y0134306105	DRAIN PIPE	1	
13	Y0603325007	VALVE	1	
14	Y0132006000	PLUG 1/2"	1	
15	C1367700304	LOCK PLATE	1	
16	Y0019208020	HEX. HEAD BOLT	2	
17	W0845039604	RUBBER SEAL	1	
18	Y0191403420	SUCTION HOSE	1	
19	Y0191403360	RETURN HOSE	1	
20	Y0605515073	HOSE BAND	4	
21	Y0602022925	HOSE JOINT	2	
22	Y0602022208	HOSE JOINT	1	
23	Y0605515169	HOSE BAND	2	
24	Y0191300400	SUCTION HOSE	1	
25	Y0602022279	HOSE JOINT	1	
26	Y0605515107	HOSE BAND	2	
27	Y0191100800	RETURN HOSE	1	

ENCLOSURE 1 ASSY.



ENCLOSURE 1 ASSY.

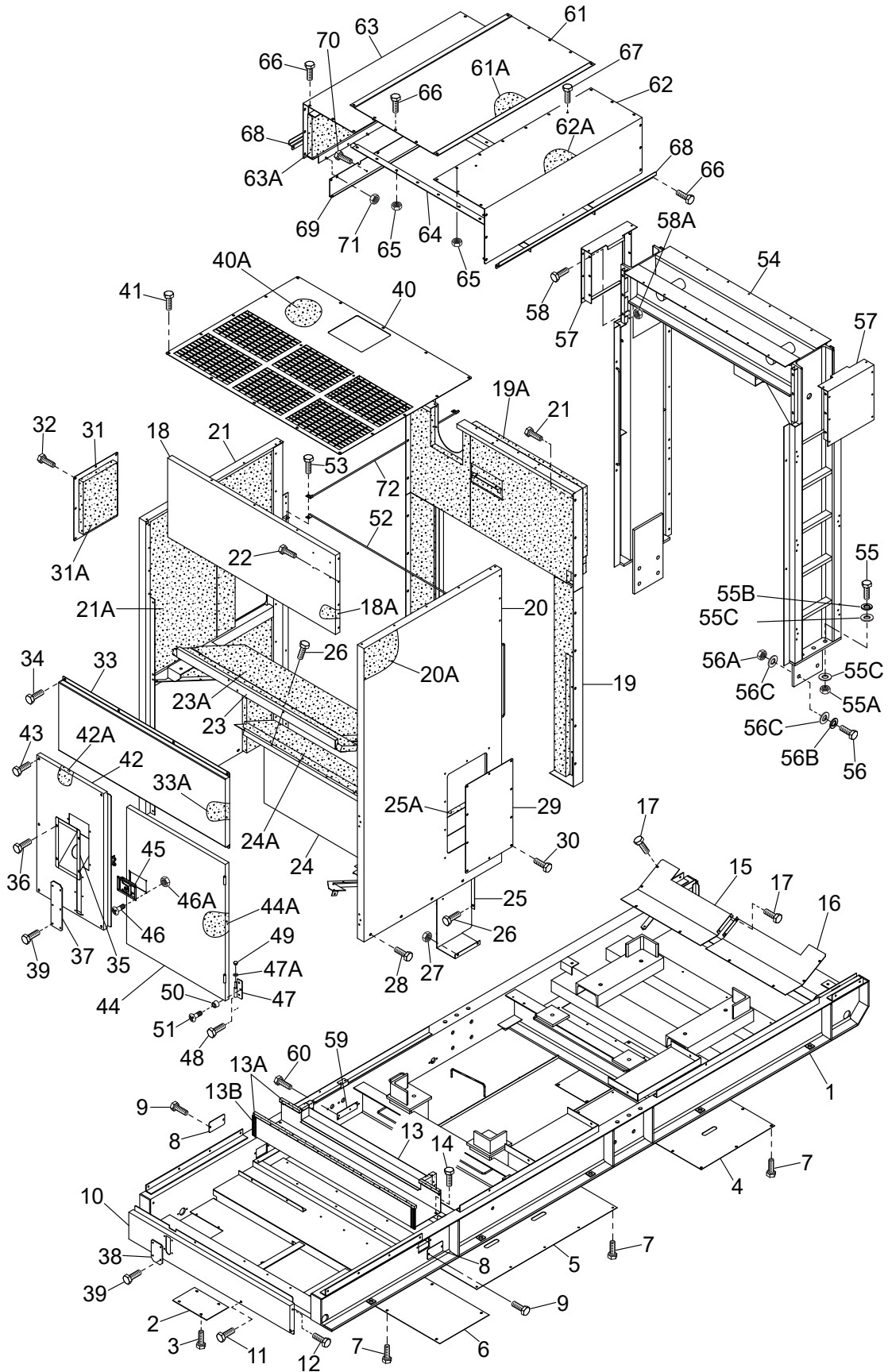
<u>NO.</u>	<u>PART NO.</u>	<u>PART NAME</u>	<u>QTY.</u>	<u>REMARKS</u>
1	C4414007202	BASE	1	
2	W3875116304	FLOOR PANEL	1	
3	Y0019208020	HEX. HEAD BOLT	4	
4	C4414102004	FLOOR PANEL	1	
5	C4414100304	FLOOR PANEL	1	
6	C4414101904	FLOOR PANEL	1	
7	Y0019208020	HEX. HEAD BOLT	32	
8	C4414400104	COVER	2	
9	Y0019208020	HEX. HEAD BOLT	4	
10	C4414400304	COVER	1	
11	Y0019208020	HEX. HEAD BOLT	4	
12	Y0019208025	HEX. HEAD BOLT	2	
13	C4414200503	GUIDE PANEL, AIR	1	
13A	C4494000204	ACOUSTIC SHEET	1	
13B	Y0314500150	RUBBER SEAL	2	
14	Y0019208020	HEX. HEAD BOLT	9	
15	C4414601004	GUIDE PANEL, AIR	1	
16	C4414601104	GUIDE PANEL, AIR	1	
17	Y0016908020	HEX. HEAD BOLT	10	
18	C4424010203	FRONT FRAME	1	
18A	C4494104103	ACOUSTIC SHEET	1	
19	C4424010303	FRONT FRAME	1	
19A	C4494104103	ACOUSTIC SHEET	1	
20	C4424011002	FRONT FRAME	1	S/N 3941548 AND BELOW
20	C4424011012	FRONT FRAME	1	S/N 3941549 AND ABOVE
20A	C4494104103	ACOUSTIC SHEET	1	
21	C4424011102	FRONT FRAME	1	S/N 3941548 AND BELOW
21	C4424011112	FRONT FRAME	1	S/N 3941549 AND ABOVE
21A	C4494104103	ACOUSTIC SHEET	1	
22	Y0019208020	HEX. HEAD BOLT	24	
23	C4424301803	GUIDE PANEL, AIR	1	
23A	C4494104304	ACOUSTIC SHEET	1	
24	C4424301903	GUIDE PANEL, AIR	1	
24A	C4494104404	ACOUSTIC SHEET	1	
25	C4424500003	BRACKET	1	
25A	C4494104103	ACOUSTIC SHEET	1	

ADD THE FOLLOWING DIGITS AFTER THE PART NUMBER WHEN ORDERING ANY PAINTED PANEL TO INDICATE COLOR OF UNIT:

- | | |
|-----------------|----------------------|
| 1-ORANGE | 6-CATERPILLAR YELLOW |
| 2-WHITE | 7-CATO GOLD |
| 3-SPECTRUM GREY | 8-RED |
| 4-SUNBELT GREEN | 9-DESERT TAN |
| 5-BLACK | |

THE SERIAL NUMBER MAY BE REQUIRED.

ENCLOSURE 1 ASSY. (CONT'D.)



ENCLOSURE 1 ASSY. (CONT'D.)

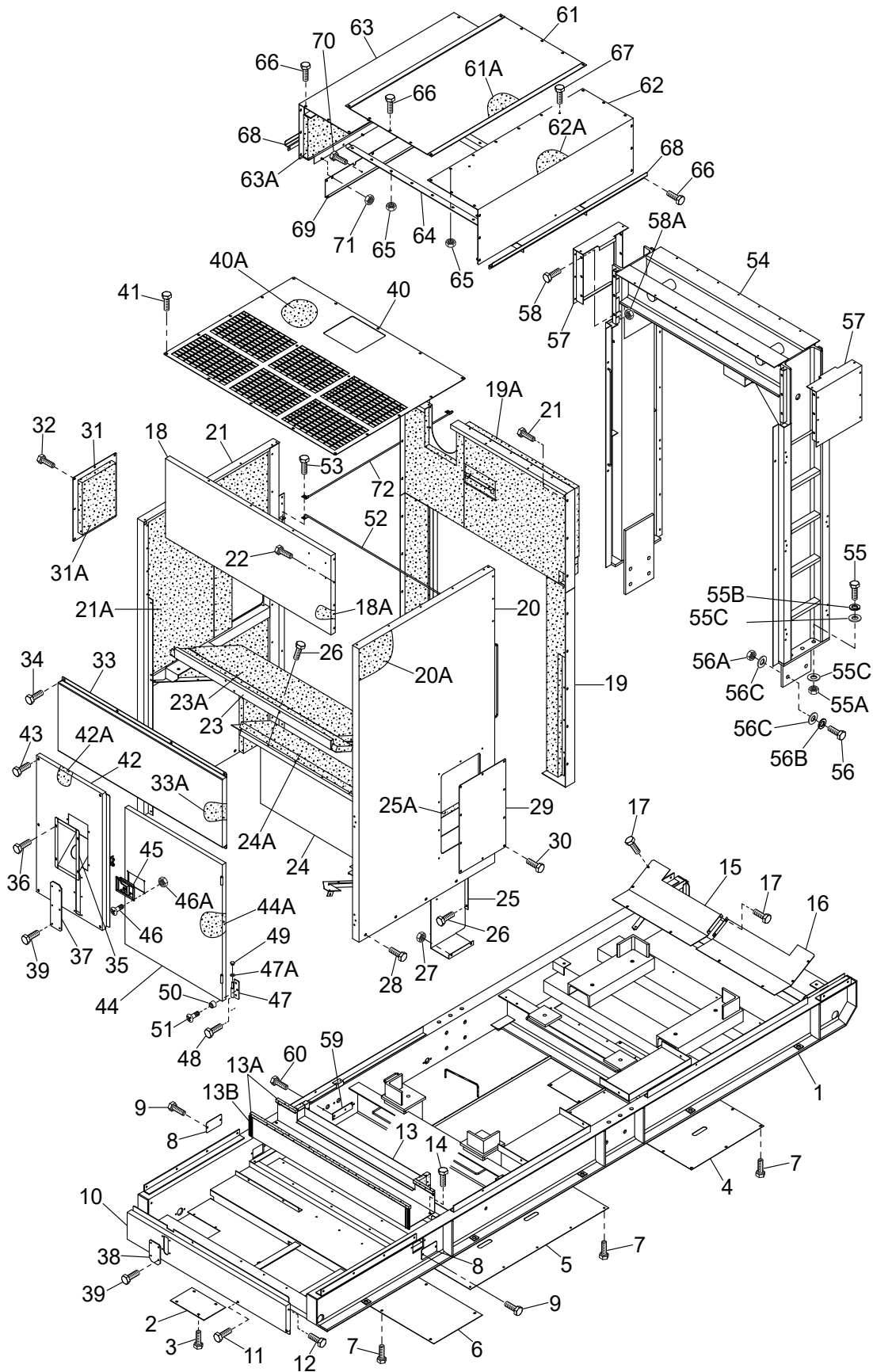
<u>NO.</u>	<u>PART NO.</u>	<u>PART NAME</u>	<u>QTY.</u>	<u>REMARKS</u>
26	Y0019208020	HEX. HEAD BOLT	48	
27	Y0207108000	HEX. NUT	11	
28	Y0019210025	HEX. HEAD BOLT	8	
29	C4424210004	COVER	1	
30	Y0019208020	HEX. HEAD BOLT	10	
31	C4424210504	COVER	1	
31A	C4494104904	ACOUSTIC SHEET	1	
32	Y0019208020	HEX. HEAD BOLT	8	
33	C4424209903	COVER, FRONT FRAME	1	
33A	C4494104204	ACOUSTIC SHEET	1	
34	Y0019208020	HEX. HEAD BOLT	8	
35	W0845042703	FILLER BRACKET	1	
36	Y0019208020	HEX. HEAD BOLT	4	
37	C4424210104	COVER	1	
38	C4424210204	COVER	1	
39	Y0019206015	HEX. HEAD BOLT	10	
40	C4424210403	COVER, FRONT FRAME	1	
40A	C4494105004	ACOUSTIC SHEET	1	
41	Y0019208020	HEX. HEAD BOLT	18	
42	C4424100003	FRONT PANEL	1	
42A	C4494104604	ACOUSTIC SHEET	1	
43	Y0019208055	HEX. HEAD BOLT	5	
44	C4424600003	FRONT DOOR	1	
44A	C4494104504	ACOUSTIC SHEET	1	
45	B9114000002	DOOR HANDLE	1	
46	Y0021806015	MACHINE SCREW	4	
46A	Y0030006000	HEX. NUT	4	
47	W0845047004	HINGE	2	
47A	W0845045004	WASHER	2	
48	Y0019208020	HEX. HEAD BOLT	4	
49	W0845031504	CAP	2	
50	Y0601850097	STOPPER	2	
51	Y0025408025	MACHINE SCREW	2	
52	C4424702004	CLAMPER	1	
53	Y0019208020	HEX. HEAD BOLT	2.....	S/N 3941548 AND BELOW
53	Y0019208020	HEX. HEAD BOLT	3.....	S/N 3941549 AND ABOVE

ADD THE FOLLOWING DIGITS AFTER THE PART NUMBER WHEN ORDERING ANY PAINTED PANEL TO INDICATE COLOR OF UNIT:

- | | |
|-----------------|----------------------|
| 1-ORANGE | 6-CATERPILLAR YELLOW |
| 2-WHITE | 7-CATO GOLD |
| 3-SPECTRUM GREY | 8-RED |
| 4-SUNBELT GREEN | 9-DESERT TAN |
| 5-BLACK | |

THE SERIAL NUMBER MAY BE REQUIRED.

ENCLOSURE 1 ASSY. (CONT'D.)



ENCLOSURE 1 ASSY. (CONT'D.)

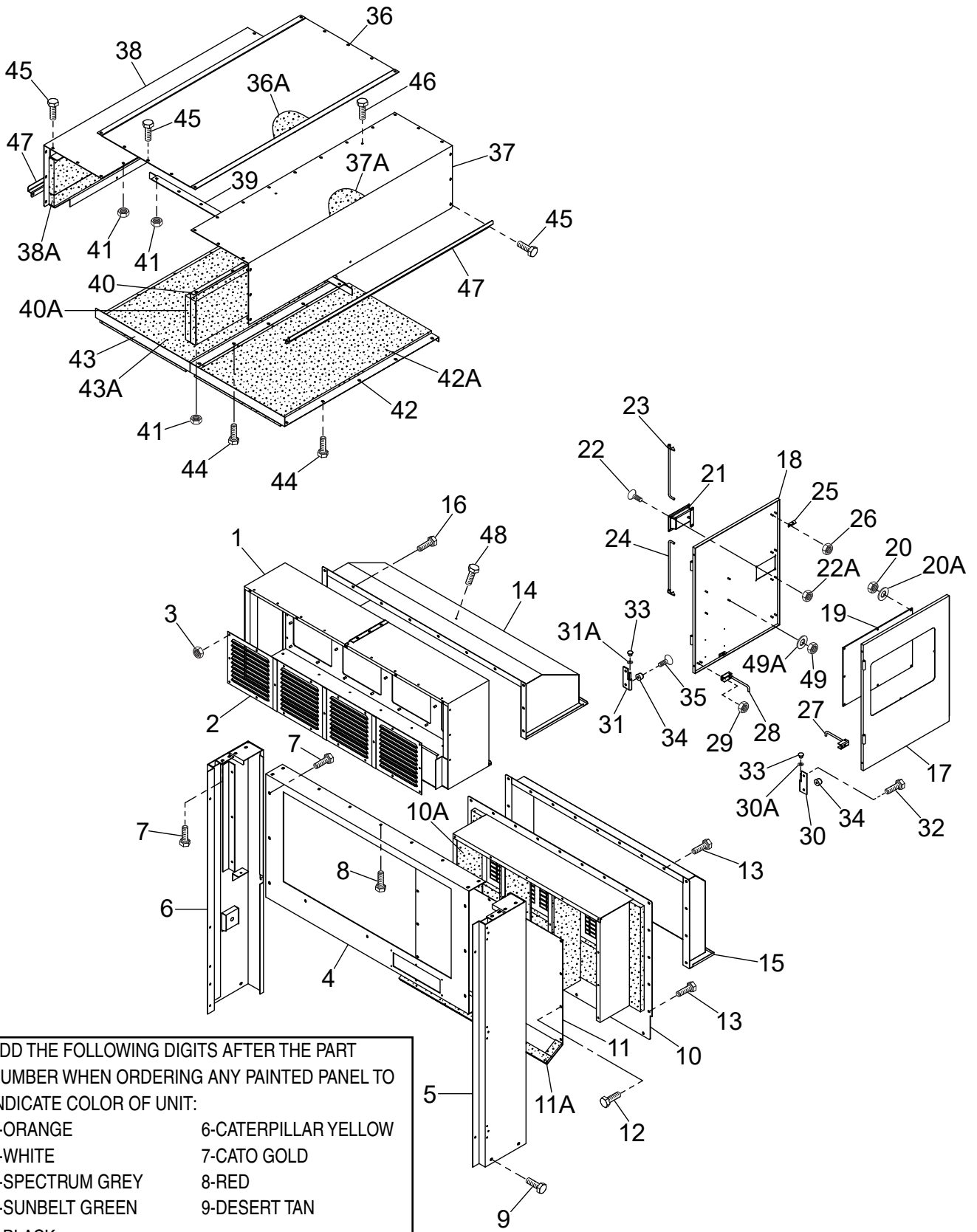
NO.	PART NO.	PART NAME	QTY.	REMARKS
54	C4434002602	CENTER FRAME	1	
55	Y0010120065	HEX. HEAD BOLT	6	
55A	Y0030020000	HEX. NUT	6	
55B	Y0040020000	LOCK WASHER	6	
55C	Y0041220000	FLAT WASHER	12	
56	Y0010120065	HEX. HEAD BOLT	8	
56A	Y0030020000	HEX. NUT	8	
56B	Y0040020000	LOCK WASHER	8	
56C	Y0041220000	FLAT WASHER	16	
57	C4434200103	COVER	2	
58	Y0016908020	HEX. HEAD BOLT	12	
58A	Y0207008000	HEX. NUT	12	
59	C3414805104	COVER	1	
60	Y0019208025	HEX. HEAD BOLT	2	
61	C4464104903	ROOF PANEL	1	
61A	C4494502203	ACOUSTIC SHEET	1	
62	C4464105003	ROOF PANEL	1	
62A	C4494502203	ACOUSTIC SHEET	1	
63	C4464105103	ROOF PANEL	1	
63A	C4494502203	ACOUSTIC SHEET	1	
64	C4464501804	GUTTER	2	
65	Y0207108000	HEX. NUT	26	
66	Y0019208020	HEX. HEAD BOLT	32	
67	Y0019210025	HEX. HEAD BOLT	4	
68	C4464504004	GUTTER	2	
69	C4464504704	CLAMPER	1	S/N 3941548 AND BELOW
69	C4464504714	CLAMPER.....	1	S/N 3941549 AND ABOVE
70	Y0019208020	HEX. HEAD BOLT	1	
71	Y0207008000	HEX. NUT	4	
72	C4464505004	CLAMPER.....	1	S/N 3941549 AND ABOVE

ADD THE FOLLOWING DIGITS AFTER THE PART NUMBER WHEN ORDERING ANY PAINTED PANEL TO INDICATE COLOR OF UNIT:

- | | |
|-----------------|----------------------|
| 1-ORANGE | 6-CATERPILLAR YELLOW |
| 2-WHITE | 7-CATO GOLD |
| 3-SPECTRUM GREY | 8-RED |
| 4-SUNBELT GREEN | 9-DESERT TAN |
| 5-BLACK | |

THE SERIAL NUMBER MAY BE REQUIRED.

ENCLOSURE 2 ASSY.



ADD THE FOLLOWING DIGITS AFTER THE PART NUMBER WHEN ORDERING ANY PAINTED PANEL TO INDICATE COLOR OF UNIT:

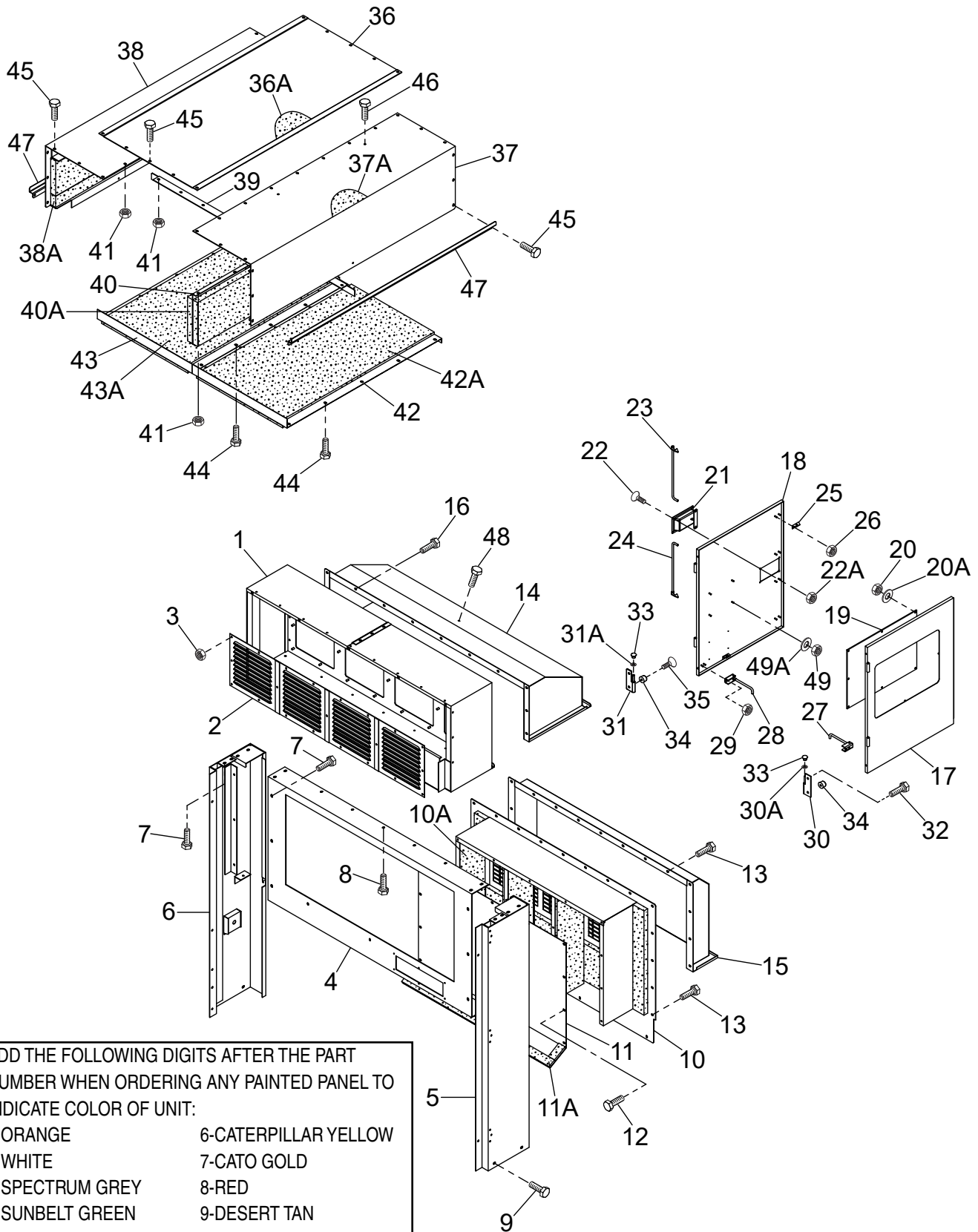
1-ORANGE	6-CATERPILLAR YELLOW
2-WHITE	7-CATO GOLD
3-SPECTRUM GREY	8-RED
4-SUNBELT GREEN	9-DESERT TAN
5-BLACK	

THE SERIAL NUMBER MAY BE REQUIRED.

ENCLOSURE 2 ASSY.

<u>NO.</u>	<u>PART NO.</u>	<u>PART NAME</u>	<u>QTY.</u>	<u>REMARKS</u>
1	C4444003103	REAR FRAME	1	
2	W3875151004	LOUVER PANEL	1	
3	Y0207106000	HEX. NUT	21	
4	C4444003003	REAR FRAME	1	
5	C4444002803	REAR FRAME	1	
6	C4444002903	REAR FRAME	1	S/N 3957245 AND BELOW
6	C4444002913	REAR FRAME	1	S/N 3957246 AND ABOVE
7	Y0016910025	HEX. HEAD BOLT	16	
8	Y0016908020	HEX. HEAD BOLT	7	
9	Y0019210025	HEX. HEAD BOLT	4	
10	C4444302103	COVER, REAR FRAME	1	
10A	C4494301804	ACOUSTIC SHEET	1	
11	C4444302204	DUCT COVER	1	
11A	C4494301904	ACOUSTIC SHEET	1	
12	Y0016908020	HEX. HEAD BOLT	17	
13	Y0019208020	HEX. HEAD BOLT	23	
14	C4444302003	VISOR	1	
15	W3875165803	VISOR	1	
16	Y0019208020	HEX. HEAD BOLT	12	
17	C4444203003	DOOR, REAR FRAME	1	
18	C4444203103	DOOR, REAR FRAME	1	
19	M4443600004	WINDOW PLATE	1	
20	Y0207306000	SUPER LOCK NUT	8	
20A	Y0042406000	FLAT WASHER	8	
21	B9114000102	DOOR HANDLE	1	
22	Y0021806015	MACHINE SCREW	4	
22A	Y0030006000	HEX. NUT	4	
23	C4444700304	DOOR ROD	1	
24	C4444700204	DOOR ROD	1	
25	W0845050704	STAY	4	
26	Y0207106000	HEX. NUT	8	
27	W0805011304	STOPPER, DOOR	1	
28	W0805011204	STOPPER, DOOR	1	
29	Y0207106000	HEX. NUT	4	
30	W0845047104	HINGE	2	
30A	W0845045004	WASHER	2	
31	W0845047204	HINGE	2	
31A	W0845045004	WASHER	2	
32	Y0019208020	HEX. HEAD BOLT	6	
33	W0845031504	GAP	4	
34	Y0601850097	STOPPER	2	
35	Y0025408025	MACHINE SCREW	2	
36	C4464204403	ROOF PANEL	1	
36A	C4494502304	ACOUSTIC SHEET	1	
37	C4464204503	ROOF PANEL	1	
37A	C4494502304	ACOUSTIC SHEET	1	

ENCLOSURE 2 ASSY. (CONT'D.)



ADD THE FOLLOWING DIGITS AFTER THE PART NUMBER WHEN ORDERING ANY PAINTED PANEL TO INDICATE COLOR OF UNIT:

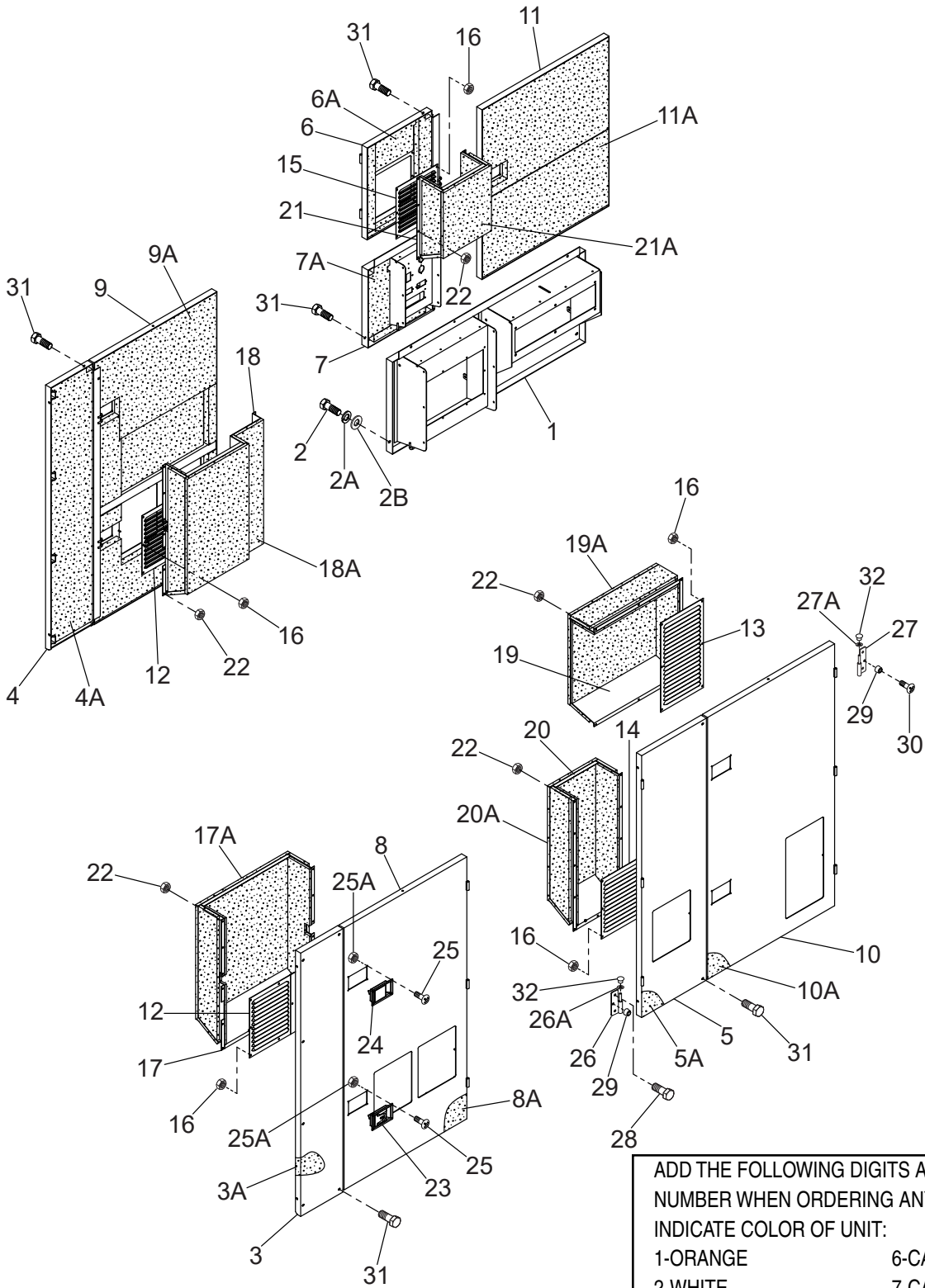
1-ORANGE	6-CATERPILLAR YELLOW
2-WHITE	7-CATO GOLD
3-SPECTRUM GREY	8-RED
4-SUNBELT GREEN	9-DESERT TAN
5-BLACK	

THE SERIAL NUMBER MAY BE REQUIRED.

ENCLOSURE 2 ASSY. (CONT'D.)

<u>NO.</u>	<u>PART NO.</u>	<u>PART NAME</u>	<u>QTY.</u>	<u>REMARKS</u>
38	C4464204603	ROOF PANEL	1	
38A	C4494502304	ACOUSTIC SHEET	1	
39	C4464501804	GUTTER	1	
40	C4464503904	PANEL	1	
40A	C4494502304	ACOUSTIC SHEET	1	
41	Y0207008000	HEX. NUT	26	
42	C4464504904	COVER, ROOF PANEL	1	
42A	C4494502404	ACOUSTIC SHEET	1	
43	C4464504804	COVER, ROOF PANEL	1	
43A	C4494502404	ACOUSTIC SHEET	1	
44	Y0016908020	HEX. HEAD BOLT	20	
45	Y0019208020	HEX. HEAD BOLT	32	
46	Y0019210025	HEX. HEAD BOLT	4	
47	C4464504104	GUTTER	2	
48	Y0019210025	HEX. HEAD BOLT	1	
49	Y0207106000	HEX. NUT	4	
49A	Y0042406000	FLAT WASHER	4	

ENCLOSURE 3 ASSY.



ADD THE FOLLOWING DIGITS AFTER THE PART NUMBER WHEN ORDERING ANY PAINTED PANEL TO INDICATE COLOR OF UNIT:

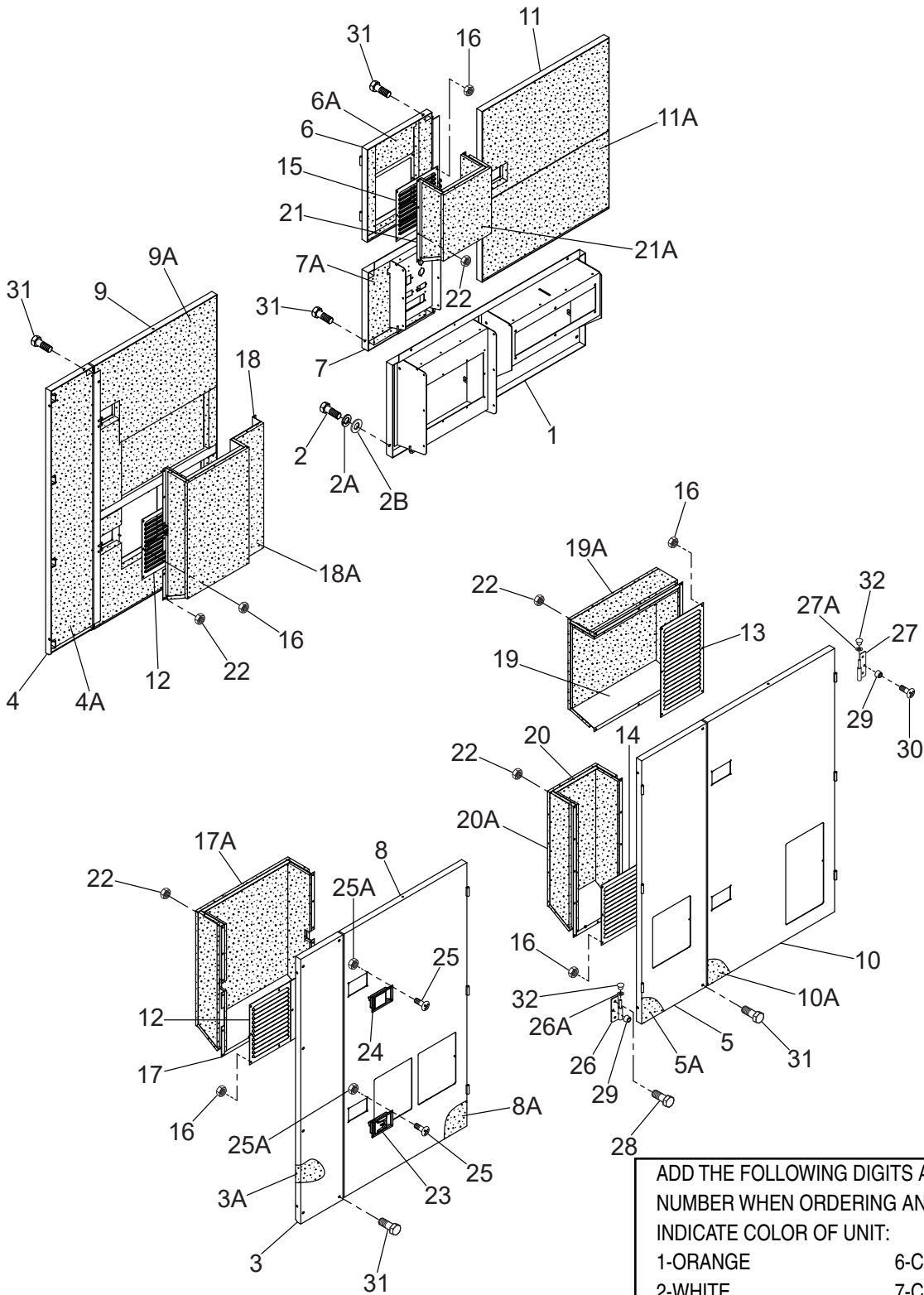
1-ORANGE	6-CATERPILLAR YELLOW
2-WHITE	7-CATO GOLD
3-SPECTRUM GREY	8-RED
4-SUNBELT GREEN	9-DESERT TAN
5-BLACK	

THE SERIAL NUMBER MAY BE REQUIRED.

ENCLOSURE 3 ASSY.

<u>NO.</u>	<u>PART NO.</u>	<u>PART NAME</u>	<u>QTY.</u>	<u>REMARKS</u>
1	C4454211502	SPLASHER PANEL	1	
2	Y0019110070	HEX. HEAD BOLT	6	
2A	Y0042310000	LOCK WASHER	6	
2B	Y0042410000	FLAT WASHER	6	
3	C4454106003	SIDE PANEL	1	
3A	C4494416204	ACOUSTIC SHEET	1	
4	C4454106103	SIDE PANEL	1	
4A	C4494416304	ACOUSTIC SHEET	1	
5	C4454106603	SIDE PANEL	1	
5A	C4494416904	ACOUSTIC SHEET	1	
6	C4454106703	SIDE PANEL	1	
6A	C4494417004	ACOUSTIC SHEET	1	
7	C4454106402	SIDE PANEL	1	S/N 3957245 AND BELOW
7	C4454107102	SIDE PANEL	1	S/N 3957246 AND ABOVE
7A	C4494416604	ACOUSTIC SHEET	1	
8	C4454007103	SIDE DOOR	1	
8A	C4494415804	ACOUSTIC SHEET	1	
9	C4454007203	SIDE DOOR	1	
9A	C4494415904	ACOUSTIC SHEET	1	
10	C4454007303	SIDE DOOR	1	
10A	C4494416004	ACOUSTIC SHEET	1	
11	C4454007403	SIDE DOOR	1	
11A	C4494416104	ACOUSTIC SHEET	1	
12	C4454700604	LOUVER PANEL	2	
13	W7975151004	LOUVER PANEL	1	
14	W8175151104	LOUVER PANEL	1	
15	W8195151104	LOUVER PANEL	1	
16	Y0207106000	HEX. NUT	40	
17	C4454305804	DUCT	1	
17A	C4494408904	ACOUSTIC SHEET	1	
18	C4454305903	DUCT	1	
18A	C4494416804	ACOUSTIC SHEET	1	
19	C4454302104	DUCT	1	
19A	C4494409004	ACOUSTIC SHEET	1	
20	C4454306004	DUCT	1	
20A	C4494417104	ACOUSTIC SHEET	1	
21	C4454306104	DUCT	1	
21A	C4494417204	ACOUSTIC SHEET	1	
22	Y0207106000	HEX. NUT	55	
23	B9114000002	DOOR HANDLE	4	
24	W0825007362	DOOR HANDLE	3	
25	Y0021806015	MACHINE SCREW	28	
25A	Y0030006000	HEX. NUT	28	
26	W0845046904	HINGE	8	
26A	W0845045004	WASHER	8	
27	W0845047004	HINGE	8	
27A	W0845045004	WASHER	8	

ENCLOSURE 3 ASSY. (CONT'D.)



ADD THE FOLLOWING DIGITS AFTER THE PART NUMBER WHEN ORDERING ANY PAINTED PANEL TO INDICATE COLOR OF UNIT:

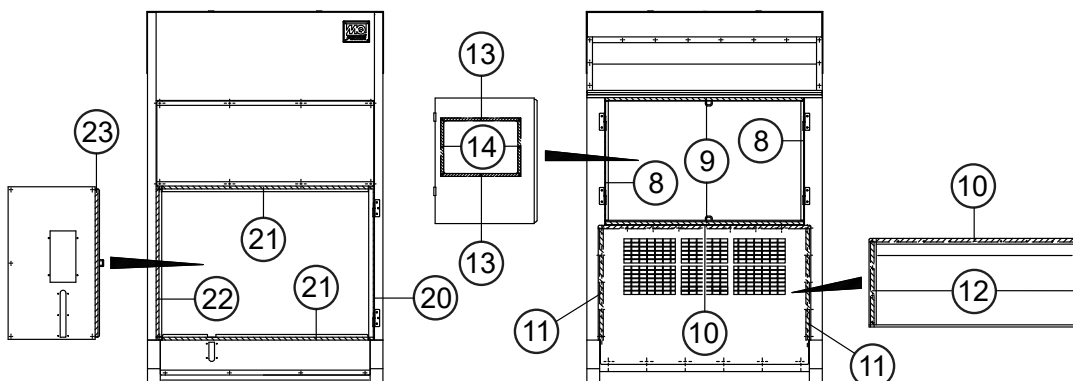
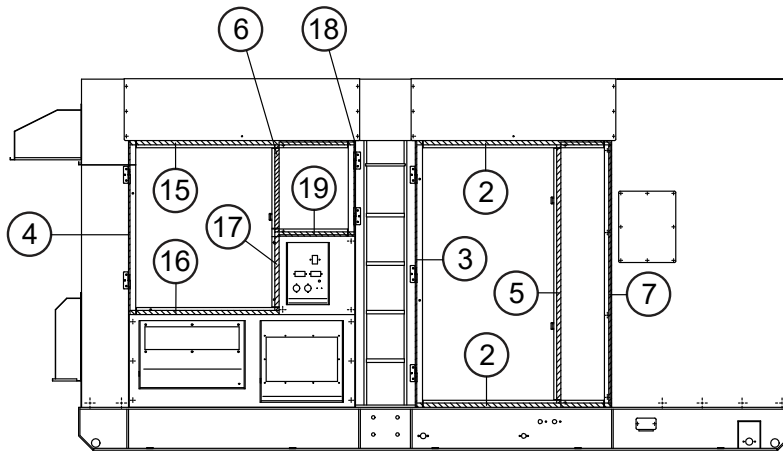
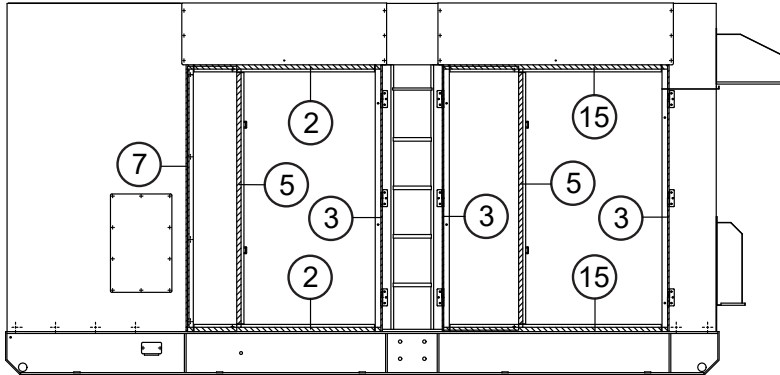
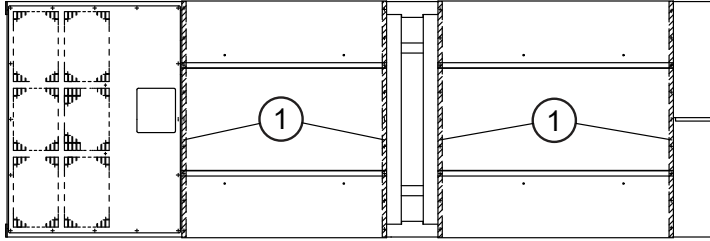
1-ORANGE	6-CATERPILLAR YELLOW
2-WHITE	7-CATO GOLD
3-SPECTRUM GREY	8-RED
4-SUNBELT GREEN	9-DESERT TAN
5-BLACK	

THE SERIAL NUMBER MAY BE REQUIRED.

ENCLOSURE 3 ASSY. (CONT'D.)

<u>NO.</u>	<u>PART NO.</u>	<u>PART NAME</u>	<u>QTY.</u>	<u>REMARKS</u>
28	Y0019208020	HEX. HEAD BOLT	30	
29	Y0601850097	STOPPER	11	
30	Y0025408025	MACHINE SCREW	11	
31	Y0019208070	HEX. HEAD BOLT	19	
32	W0845031504	CAP	16	

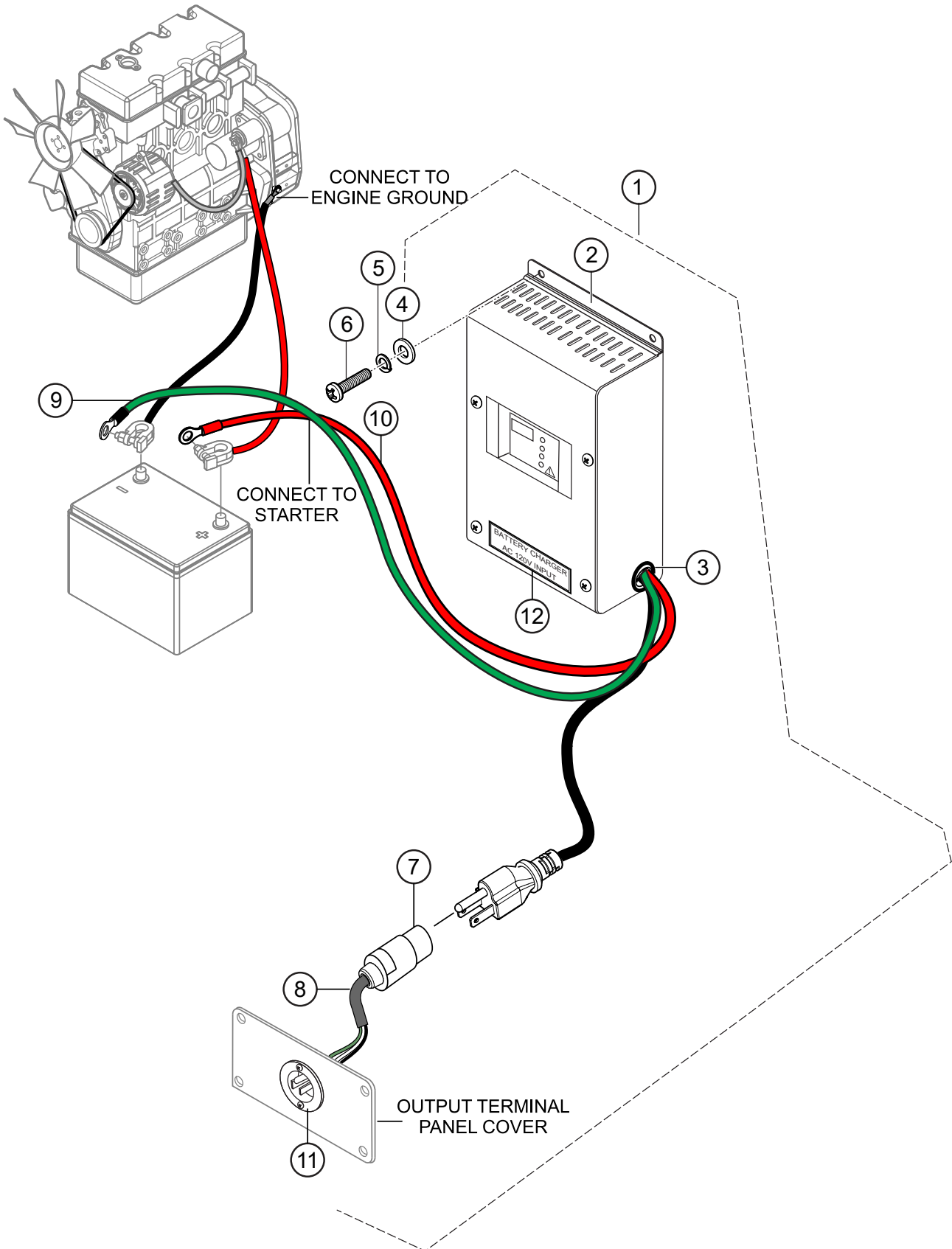
RUBBER SEALS ASSY.



RUBBER SEALS ASSY.

<u>NO.</u>	<u>PART NO.</u>	<u>PART NAME</u>	<u>QTY.</u>	<u>REMARKS</u>
1	Y0229201650	RUBBER SEAL	4	
2	Y0228901365	RUBBER SEAL	4	
3	Y0228901870	RUBBER SEAL	4	
4	Y0228901220	RUBBER SEAL	1	
5	Y0228901810	RUBBER SEAL	3	
6	Y0228900610	RUBBER SEAL	1	
7	Y0228801810	RUBBER SEAL	2	
8	Y0221200890	RUBBER SEAL	2	
9	Y0228801390	RUBBER SEAL	2	
10	Y0229201490	RUBBER SEAL	2	
11	Y0229200780	RUBBER SEAL	2	
12	Y0229200595	RUBBER SEAL	2	
13	Y0228100560	RUBBER SEAL	2	
14	Y0228100370	RUBBER SEAL	2	
15	Y0228901570	RUBBER SEAL	3	
16	Y0228901045	RUBBER SEAL	1	
17	Y0228900550	RUBBER SEAL	1	
18	Y0228900670	RUBBER SEAL	1	
19	Y0228900525	RUBBER SEAL	1	
20	Y0229401080	RUBBER SEAL	1	
21	Y0228801520	RUBBER SEAL	2	
22	Y0228801040	RUBBER SEAL	1	
23	Y0229401040	RUBBER SEAL	1	

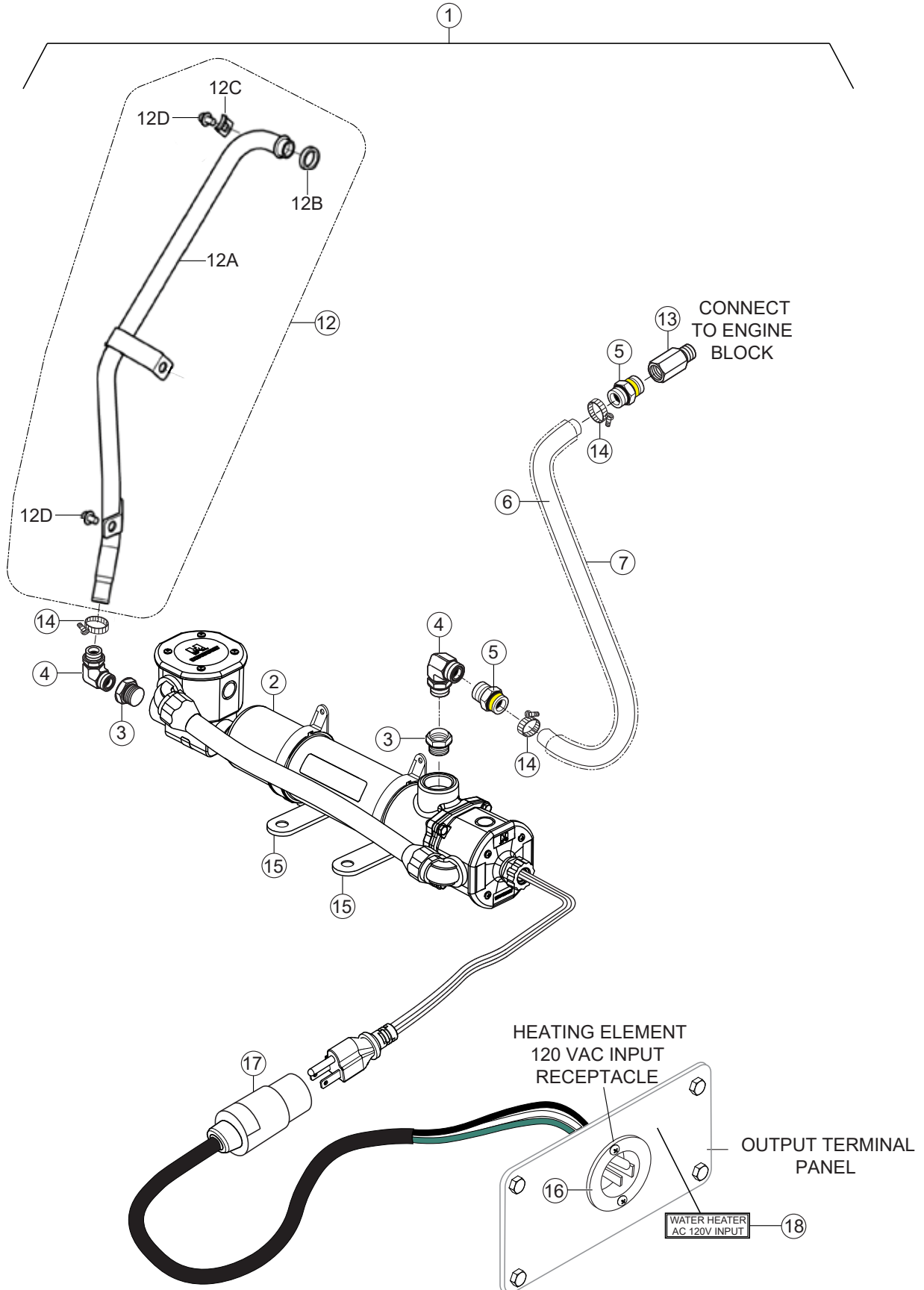
BATTERY CHARGER ASSY. (OPTION)



BATTERY CHARGER ASSY. (OPTION)

<u>NO.</u>	<u>PART NO.</u>	<u>PART NAME</u>	<u>QTY.</u>	<u>REMARKS</u>
1	MQPBCKIT-H	BATTERY CHARGER KIT	1.....	INCLUDES ITEMS W/#
2#	EE57370	BATTERY CHARGER, 10A 12/24V NRG	1	
3#		GROMMET, 7/8" HOLE SIZE.....	1.....	OBTAIN LOCALLY
4		FLAT WASHER, M4	4.....	OBTAIN LOCALLY
5		LOCK WASHER, M4.....	4.....	OBTAIN LOCALLY
6		SCREW, M4 X 10	4.....	OBTAIN LOCALLY
7#	HBL5369C	CONNECTOR, 20AMP, 125V	1	
8#	EE56557	CORD, 3-CONDUCTOR, 14 AWG (10 FT.)	10.....	1 PC = 1 FT
9		WIRE, 16 AWG GREEN	AR.....	OBTAIN LOCALLY
10		WIRE, 16 AWG RED.....	AR.....	OBTAIN LOCALLY
11#	HBL5278C	INLET FLANGE 15AMP NEMA, 125V	1	
12#	M1940011014Q	DECAL, BATTERY CHARGER	1	

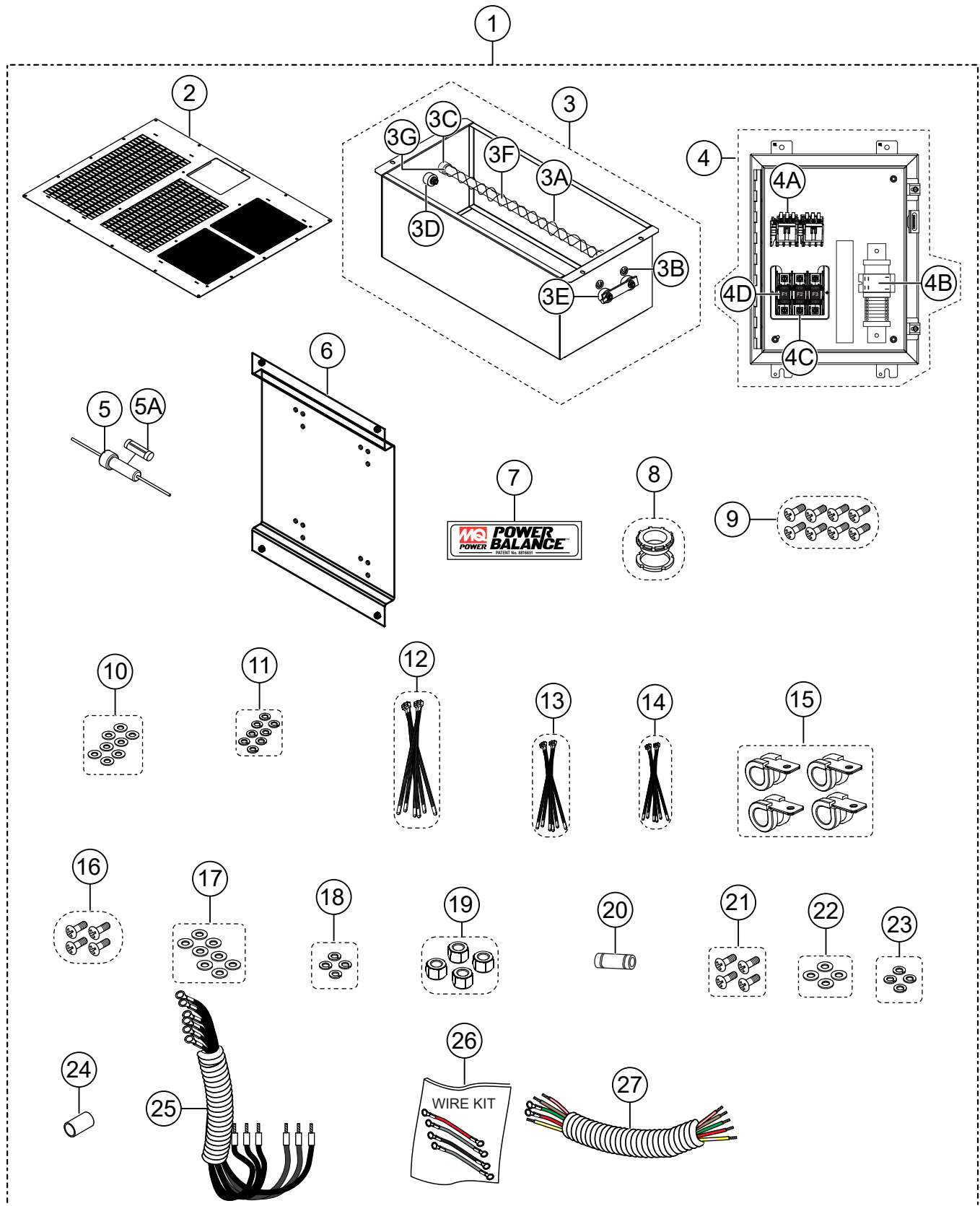
BLOCK HEATER ASSY. (OPTION)



BLOCK HEATER ASSY. (OPTION)

<u>NO.</u>	<u>PART NO.</u>	<u>PART NAME</u>	<u>QTY.</u>	<u>REMARKS</u>
1	MQPHEAT600VFKIT	BLOCK HEATER KIT	1.....	INCLUDES ITEMS W/%
2%	SB120110-200	WATER HEATER, 2000W, 120VAC	2	
3%		BUSHING	2	
4%		90° ELBOW	2	
5%		3/4" HB TO 1/2" MPT NIP	4	
6%		HEATER HOSE 8 FT (2.4 M)	1	
7%		SPLIT-LOOM 8 FT (2.4 M)	1	
10%		REDUCER	1	
11%		1/2 X 1/2 HEX. NIPPLE	1	
12%	EE61767	KIT, BLOCK HEATER PIPE	1.....	INCLUDES ITEMS W/#
12A#%	EE61763	PIPE, BLOCK HEATER, UPPER	1	
12B#%	EE61764	SEALING RING, ENGINE BLOCK	1	
12C#%	EE61765	LOCK BRACE, ENGINE BLOCK	1	
12D#%	EE61766	SCREW, FLANGED	2	
13%		METRIC ADAPTER, 7045.8.18	1	
14%		HOSE CLAMP #10	6	
15%	EE58449	BRACKET ALUM. BLOCK HEATER ANGLE	2	
16%	HBL5378C	INLET FLANGE 20AMP NEMA	1	
17%	HBL5369C	CONNECTOR, 20AMP, 125V	1	
18%	M1940011005Q	DECAL, WATER HEATER	1	

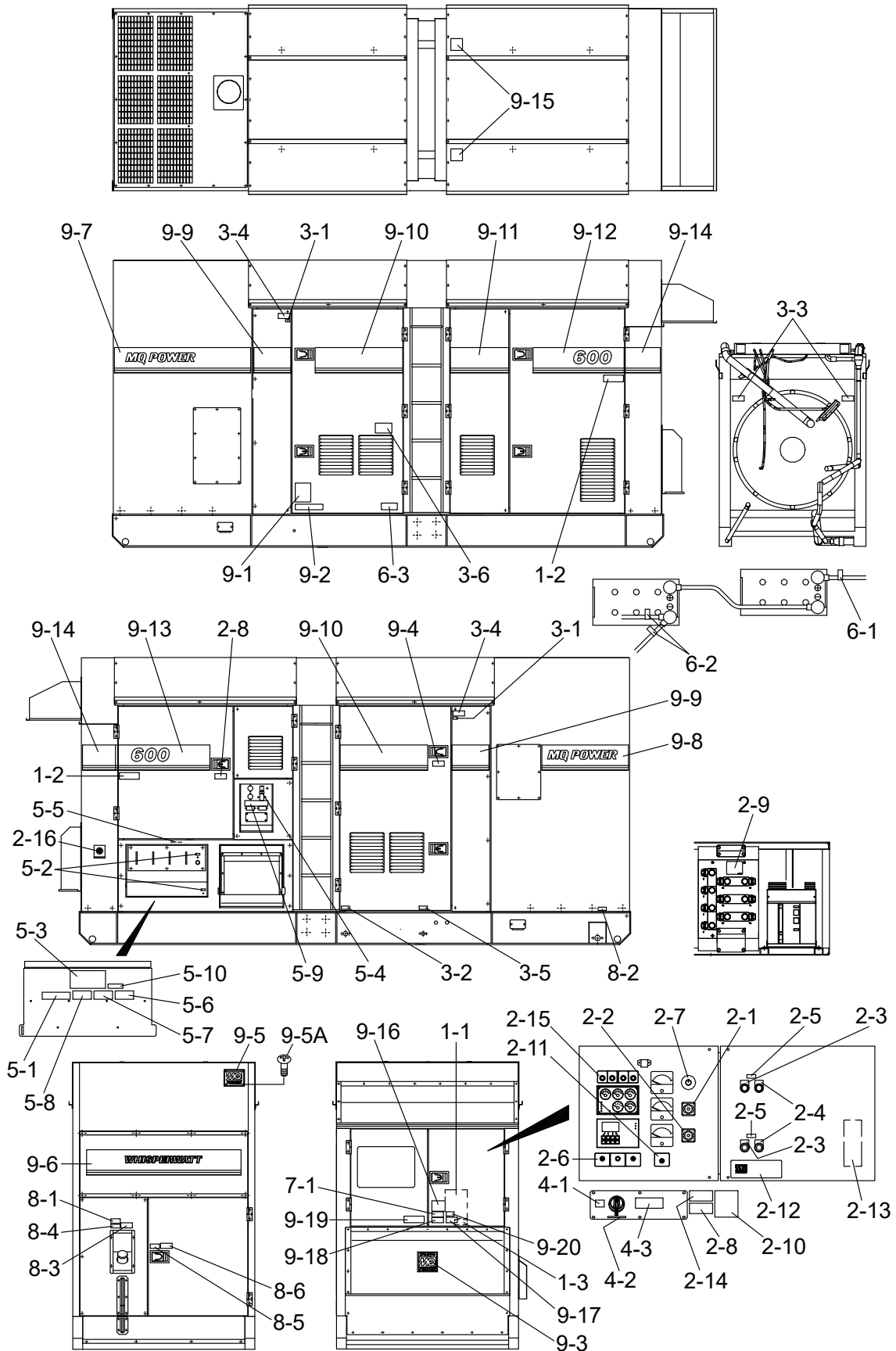
POWER BALANCE ASSY. (OPTION)



POWER BALANCE ASSY. (OPTION)

<u>NO.</u>	<u>PART NO.</u>	<u>PART NAME</u>	<u>QTY.</u>	<u>REMARKS</u>
1	MQPPB600V4F	KIT, POWER BALANCE	1.....	INCLUDES ITEMS W/#
2#	EE61203	W/A COVER 150KW DCA600V4F	1	
3#	EE61379	RESISTOR ASSY., 150 KW.....	1.....	INCLUDES ITEMS W/%
3A%#	LBD305	RESISTOR ELEMENT	18	
3B%#	P0271-7	ELEMENT ROD, 5/16X18	18	
3C%#	P0267	THRU ROD INSULATOR	42	
3D%#	C0010-8	CERAMIC SPACER	72	
3E%#	P0273-4	INSULATOR, TERMINAL	36	
3F%#	P0073-516R	INSULATOR, TUBE 3 IN.	234	
3G%#	LBD163	END SPRING	42	
4#	EE61557	CONTACTOR ASSY., 150 KW @ 480V.....	1.....	INCLUDES ITEMS W/@
4A@#	LBD1004	CONTACTOR, 125A 24VDC	2	
4B@#	LBD502	RELAY, 24VDC	1	
4C@#	LBD560	FUSE HOLDER, 400A	3	
4D@#	LBD722	FUSE, CLASS T, 250A 600V	3	
5#	303110	FUSE HOLDER, IN-LINE.....	1.....	INCLUDES ITEMS W/\$
5A\$#		FUSE, 10 AMP (AGC10)	1	
6#	EE58032	BRACKET CONTACTOR BOX	1	
7#	EE61332	DECAL, POWER BALANCE	1	
8#	EE58338	BUSHING, INSULATED W/ NUT, 2"	1	
9#		SCREW, M6 X 15MM SS	8	
10#		FLAT WASHER, M6 SS	8	
11#		LOCK WASHER, M6 SS	8	
12#		TIE WRAP, #4	20	
13#		TIE WRAP, #6	20	
14#		TIE WRAP, #8	20	
15#		G-CLAMP, #36 (2-1/4") X 3/8" HOLE	4	
16#		SCREW, 1/4-20 X 1" SS	4	
17#		FLAT WASHER, 1/4" SS	8	
18#		LOCK WASHER, 1/4" SS	4	
19#		HEX NUT, 1/4-20 SS	4	
20#		BUTT SPLICE, 14-16 GA	1	
21#		SCREW, 8MM X 15MM	4	
22#		FLAT WASHER, 8MM	4	
23#		LOCK WASHER, 8MM	4	
24#	EE60087	SLEEVE, ALUM. FGL. CLOTH, 2" DIA.	6	
25#	EE61768	WIRE HARNESS, 150 KW	1	
26#	EE61769	POWER CABLES	1	
27#	EE61770	WIRE HARNESS, DC POWER BALANCE	1	

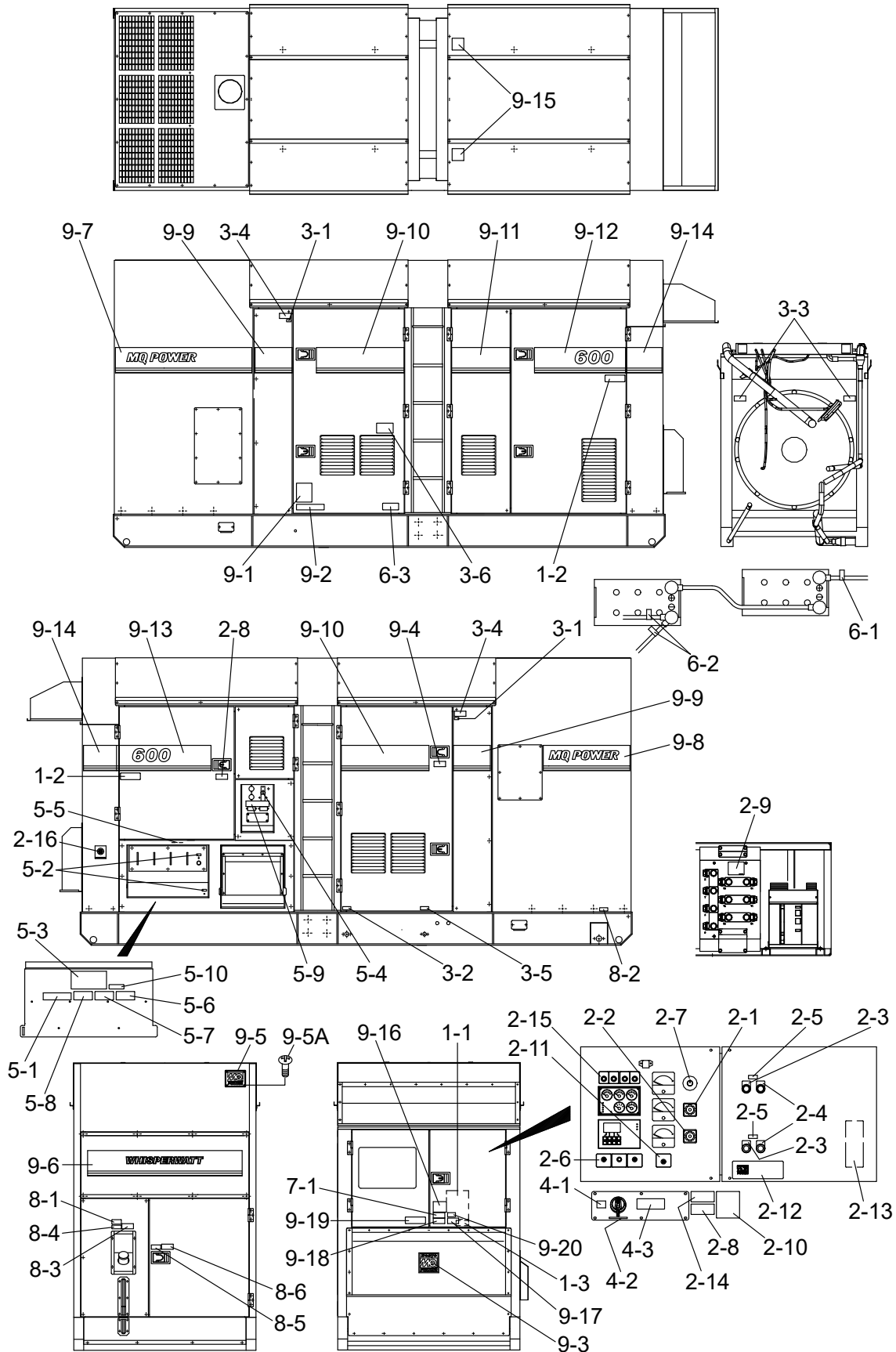
NAMEPLATE AND DECALS ASSY.



NAMEPLATE AND DECALS ASSY.

NO.	PART NO.	PART NAME	QTY.	REMARKS
1-1	C4551005603	DECAL: HANDLING PROCEDURES	1.....	C45100560
1-2	C9522100003	DECAL: CAUTION	2.....	C92210000
1-3	C9504200704	DECAL: CAUTION	1.....	C90420070
				S/N 3948041 AND BELOW
1-3	C9504200804	DECAL: WARNING	1.....	C90420080
				S/N 3948042 AND ABOVE
CONTROL BOX GROUP				
2-1	W0800520904	PLATE: AMMETER CHANGE-OVER SW.....	1.....	N-2438
2-2	W0800520814	PLATE: VOLTMETER CHANGE-OVER SW.....	1.....	N-2439
2-3	W0800564004	DECAL: OFF	2.....	N-3805
2-4	W0800565004	DECAL: ON.....	2.....	N-3806
2-5	W0840624504	DECAL: CIRCUIT BREAKER	2.....	S-3031
2-6	C3551004503	DECAL: PANEL LT., HOUR CHK. BTN, STRT....	1.....	C35100450
2-7	W0840624804	DECAL: VOLTAGE REGULATOR.....	1.....	S-3034
2-8	B9531100604	DECAL: WARNING ELEC. SHK. HAZ.....	2.....	B93110060
2-9	M9520200504	DECAL: SETTING FOR OUTPUT VOLT. (S)	1.....	M92020050
2-10	C2551000004	DECAL: SAFETY INSTRUCTIONS	1.....	C25100000
2-11	C4551005703	DECAL: ENG. SPD. SW., EMERG. STP. BTN....	1.....	C45100570
				S/N 3957245 AND BELOW
2-11	C3551006704	DECAL: ENG. SPD. SW., EMERG. STP. BTN....	1.....	C35100670
				S/N 3957246 AND ABOVE
2-12	C4561000803	DECAL: WHISPERWATT 600.....	1.....	C46100080
2-13	C0551000903	DECAL: SETTING FOR OUTPUT VOLTAGE	1.....	C05100090
2-14	M9520100704	DECAL: WARNING ARC FLASH.....	1.....	M92010070
2-15	C4551005803	DECAL: ALARM LAMP	1.....	C45100580
2-16	A9520001204	DECAL: EMERGENCY STOP BUTTON.....	1.....	S/N 3957246 AND ABOVE
ENGINE AND RADIATOR GROUP				
3-1	W6360610304	DECAL: WATER.....	2.....	S-1880
3-2	W6360620204	DECAL: OIL DRAIN PLUG	1.....	S-1885
3-3	B9504000404	DECAL: WARNING MOVING PARTS	2.....	B90400040
3-4	B9504100104	DECAL: WARNING HOT COOLANT	2.....	B90410010
3-5	C3551002704	DECAL: COOLING WATER DRAIN PLUG	1.....	C35100270
3-6	C4551003103	DECAL: AIR BLEEDING PROCEDURE	1.....	C45100310
ENGINE OPERATING PANEL GROUP				
4-1	C0551000504	DECAL: BATTERY SWITCH.....	1.....	C05100050
4-2	C9521024804	DECAL: ON-OFF BATTERY SWITCH	1.....	C92102480
				S/N 3959551 AND BELOW
4-3	C9504300004	DECAL: WARNING	1.....	C90430000
				S/N 3948042 AND ABOVE
OUTPUT TERMINAL GROUP				
5-1	C0551000404	DECAL: 3-PHASE OUTPUT TERMINAL	1.....	C05100040A
5-2	W0840614104	DECAL: GROUND	2.....	S-2635
5-3	W0840619904	DECAL: DANGER HIGH VOLTAGE	1.....	S-2731

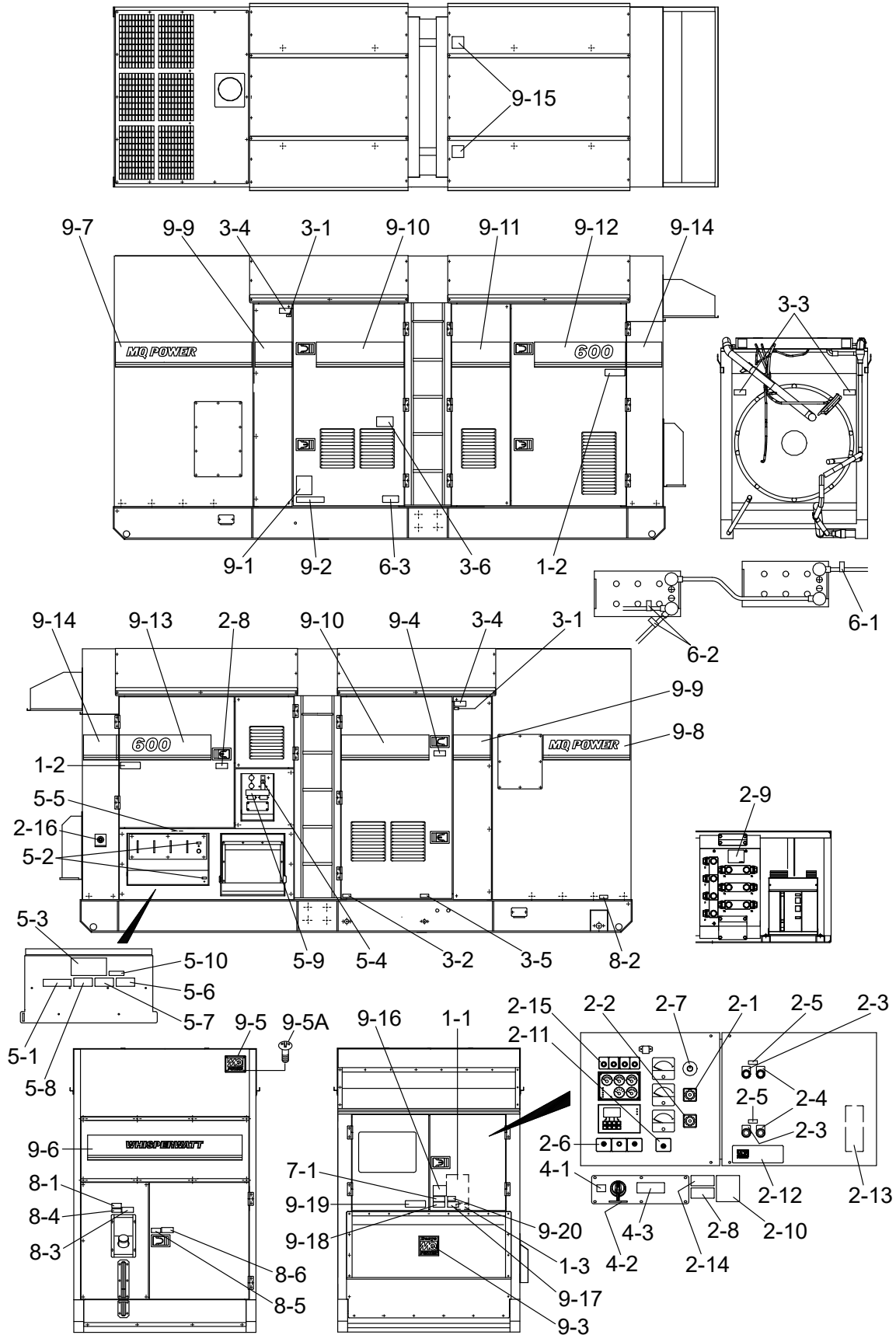
NAMEPLATE AND DECALS ASSY. (CONT'D.)



NAMEPLATE AND DECALS ASSY. (CONT'D.)

<u>NO.</u>	<u>PART NO.</u>	<u>PART NAME</u>	<u>QTY.</u>	<u>REMARKS</u>
5-4	W9039209064	DECAL: START CONTACT	1.....	S-4468
5-5	W0840655704	DECAL: TERMINAL COVER STOPPER	1.....	S-4516
5-6	B9511100304	DECAL: WARNING	1.....	B91110030
5-7	B9511100404	DECAL: WARNING ELEC. SHK. HAZARD	1.....	B91110040
5-8	B9531100504	DECAL: WARNING ELEC. SHK. HAZARD	1.....	B93110050
5-9	C4551005904	DECAL: RECEPT. AND CIRCUIT BREAKER.....	1.....	C45100590
5-10	M9521200604	DECAL: BONDED NEUTRAL	1.....	M92120060
BATTERY GROUP				
6-1	W0800689404	DECAL: +	1.....	S-2090
6-2	W0800689504	DECAL: -	1.....	S-2091
			S/N 3957245 AND BELOW
6-2	W0800689504	DECAL: -	2.....	S-2091
			S/N 3957246 AND ABOVE
6-3	C9505300004	DECAL: CAUTION	1.....	C90530000
MUFFLER GROUP				
7-1	B9504200004	DECAL: WARNING ENGINE EXHAUST	1.....	B90420000
FUEL TANK GROUP				
8-1	B9504501214	DECAL: DIESEL FUEL	1.....	B90450121
8-2	W6360620004	DECAL: FUEL DRAIN PLUG	1.....	S-1883
8-3	B9504500004	DECAL: WARNING DIESEL FUEL	1.....	B90450000
8-4	M9504500004	DECAL: REFILL DEF AS WELL	1.....	M90450000
8-5	M9501500104	DECAL: DIESEL EXHAUST FLUID	1.....	M90150010
8-6	M9541100004	DECAL: CAUTION EXHAUST FLUID ONLY.....	1.....	M94110000
ENCLOSURE GROUP				
9-1	W0800615102	DECAL: CAUTION AGAINST OIL.....	1.....	S-544A
9-2	W1320610603	DECAL: WATER OIL	1.....	S-1760
9-3	W0840625902	DECAL: MQ	1.....	S-3057
9-4	B9504000304	DECAL: CAUTION HOT PARTS	1.....	B90400030
9-5	Y0600500092	EMBLEM	1	
9-5A	Y0021106015	MACHINE SCREW	4	
9-6	C4561101603	STRIPE	1	
9-7	C4561103303	STRIPE	1	
9-8	C4561103103	STRIPE	1	
9-9	C4561103004	STRIPE	2	
9-10	C5561101804	STRIPE	2	
9-11	C4561102904	STRIPE	1	
9-12	C4561103203	STRIPE	1	
9-13	C4561102803	STRIPE	1	
9-14	C4561102704	STRIPE	2	
9-15	C9504000404	DECAL: CAUTION	2.....	C90400040
9-16	C9504000014	DECAL: DANGER.....	1.....	A90400001
9-17	M9504200004	DECAL: WARNING START FIRES	1.....	M90420000

NAMEPLATE AND DECALS ASSY. (CONT'D.)



NAMEPLATE AND DECALS ASSY. (CONT'D.)

<u>NO.</u>	<u>PART NO.</u>	<u>PART NAME</u>	<u>QTY.</u>	<u>REMARKS</u>
9-18	C9504200504	DECAL: CAUTION	1.....	C90420050
9-19	M9511200103	DECAL: TIER 4F	1.....	M91120010
9-20	A9511101304	DECAL: WARNING PROPOSITION 65	1.....	A91110130