

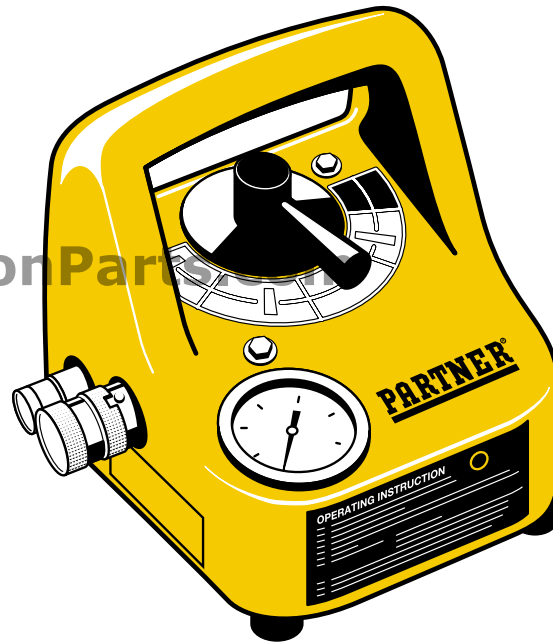
PARTNER

888-634-4289

Illustrated Parts List 2000-05 CD

FC40

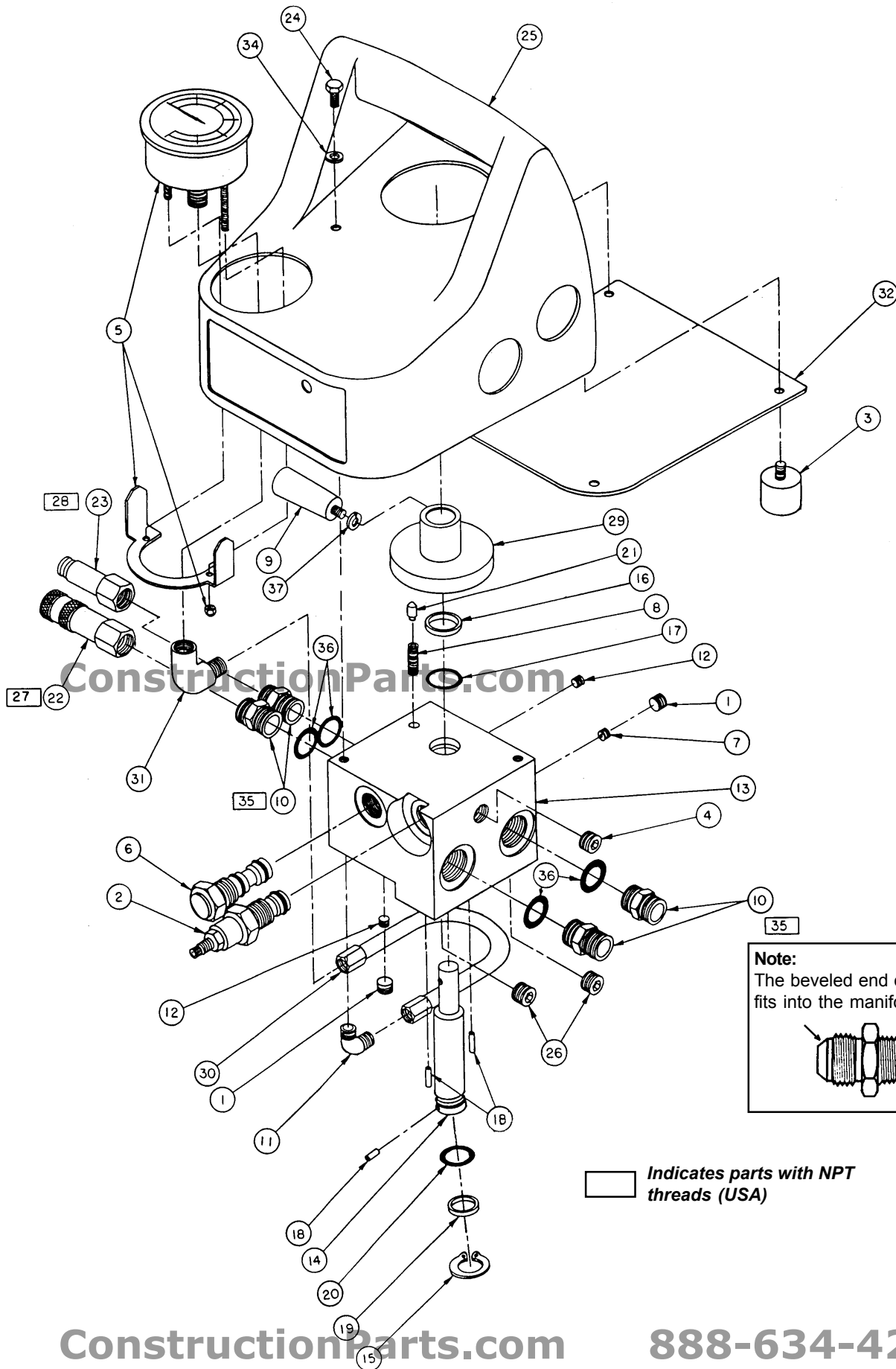
1994-2000




108 30 00-89

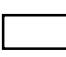
ConstructionParts.com

888-634-4289 **PARTNER**[®]



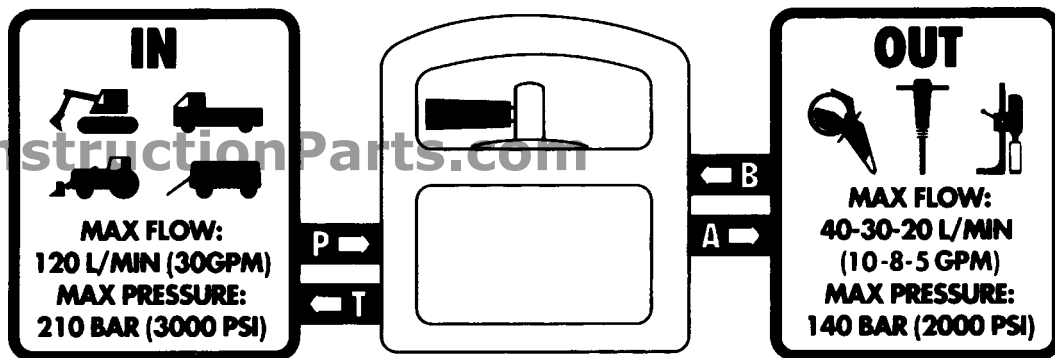
Note:
The beveled end of the fittings fits into the manifold.



 Indicates parts with NPT threads (USA)

1	531 03 11 96	Fitting 1/8" plug allen head	20	740 48 15 02	O-ring 15, 6 x 1.78
2	531 03 11 91	Valve, press relief	21	531 03 15 67	Plunger detent
3	531 03 11 74	Foot	22	506 17 36 21	Coupl. FF 1/2" BSP female
4		Plug 1/4"	23	506 17 38 21	Coupl. FF 1/2" BSP male
5	531 03 16 29	Pressure gauge	24		Bolt 6M 1.0 x 10 hex head
6	531 03 11 92	Valve hydraulic flow	25		Housing
7	531 03 11 93	Orifice 0.024"	26		Plug 3/8"
8	531 03 11 87	Spring detent	27	506 17 36 24	Coupl. FF 1/2" NPT female
9	531 03 11 90	Handle, flow select, NOTE cut of plastic 20 mm	28	506 17 38 24	Coupl. FF 1/2" NPT male
10	531 03 11 41	Fitting BSP	29		Knob, flow select
11	531 03 16 18	Fitting, pressure gauge	30		Tube assembly
12	531 03 11 46	Plug 1/16" NPT allen head	31	531 03 16 30	Fitting press gauge
13		Manifold valve	32		Plate bottom
14		Spool valve	33		Graphic set
15	531 03 15 62	Retaining ring 3/4"	34	734 11 53 01	Washer, 6,4 x 12,5 x 1,6
16	531 03 15 64	Backup ring	35	505 51 02-72	Fitting, NPT
17	740 48 17 02	O-ring 18, 77 x 1.78	36	740 48 13 03	O-ring 18,72 x 2,62
18	721 42 06 00	Pin FRP 3 x 12	37	734 11 53 01	Washer, 6,4 x 12,5 x 1,6
19	531 03 15 61	Backup ring			

Operation



Input:

P = "Pressure" from hydraulic source

T = "Tank" return to source

Use minimum of 1/2" hose

The FC40 can be connected to most hydraulic systems with a max flow of 120 l/min / 30 gpm and a max pressure relief of 210 bar / 3000 psi.

Minimum input:

45 l / 12 gpm, to get a 40 l / 10gpm output.

Note that it is not necessary to run a high output hydraulic source at "full output" for proper function. To much flow (more than 60 l / 16 gpm) to the controller heats up the oil excessively.

Note:

With "Flow Compensated" hydraulic systems the controller may not work properly - please contact Partner.

Output:

A = Pressure to the tool

B = Return from the tool (directly to the tank of the hydraulic source)

Use minimum of 1/2" hose up to 15 m / 50 ft

Use minimum over 5/8" for any additional extension hoses.

Note:

The FC40 comes preset to 140 bar / 2000 psi relief valve pressure.

The output pressure can be easily adjusted with a 3/16" Allen wrench.

Please contact Partner for procedure.