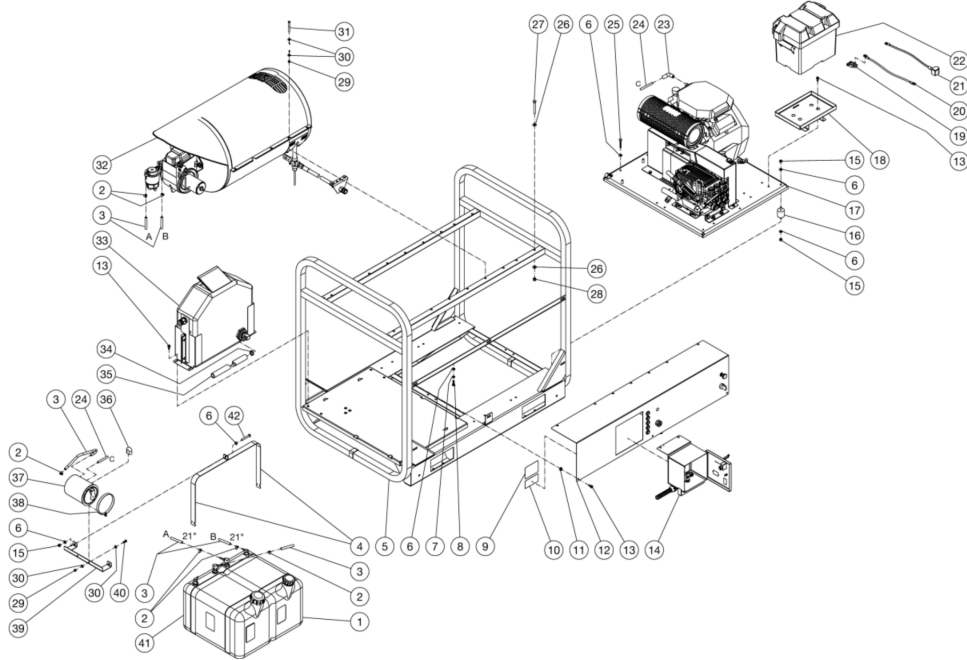




HDC-3505-0H6G / HDC-3505-0H6G (sn:0-99999999)

## UNIT ASSEMBLY



| Id | Item #                     | Description                       | Quantity | Rev | Comments |
|----|----------------------------|-----------------------------------|----------|-----|----------|
| 1  | BURNER FUEL TANK ASSY      | BURNER FUEL TANK ASSEMBLY         | 1        |     |          |
| 2  | 42-0004                    | CLAMP WORM                        | 6        |     |          |
| 2  | 42-0004                    | CLAMP WORM (DIESEL)               | 6        |     |          |
| 3  | 15-0008                    | FUEL HOSE *(ELEVEN FEET REQUIRED) | 1        |     |          |
| 3  | DIESEL                     | FUEL HOSE *(FOUR FEET REQUIRED)   |          |     |          |
| 4  | 20-0585A18                 | TANK STRAP                        | 4        |     |          |
| 5  | 5-0275A18                  | FRAME                             | 1        |     |          |
| 5  | KUBOTA SKID FRAME ASSEMBLY | FRAME (DIESEL)                    | 1        |     |          |
| 6  | 28-0003                    | WASHER                            | 24       |     |          |
| 7  | 29-0007                    | LOCKWASHER                        | 2        |     |          |
| 8  | 27-0067                    | BOLT                              | 2        |     |          |
| 9  | 34-1138                    | DECAL - DATA PLATE                | 1        |     |          |
| 10 | 34-0075                    | DECAL- SILVER STICKER             | 1        |     |          |
| 11 | 30-6027                    | CLIP NUT                          | 3        |     |          |
| 12 | HDC CONTROL PANEL          | CONTROL PANEL ASSEMBLY            | 1        |     |          |

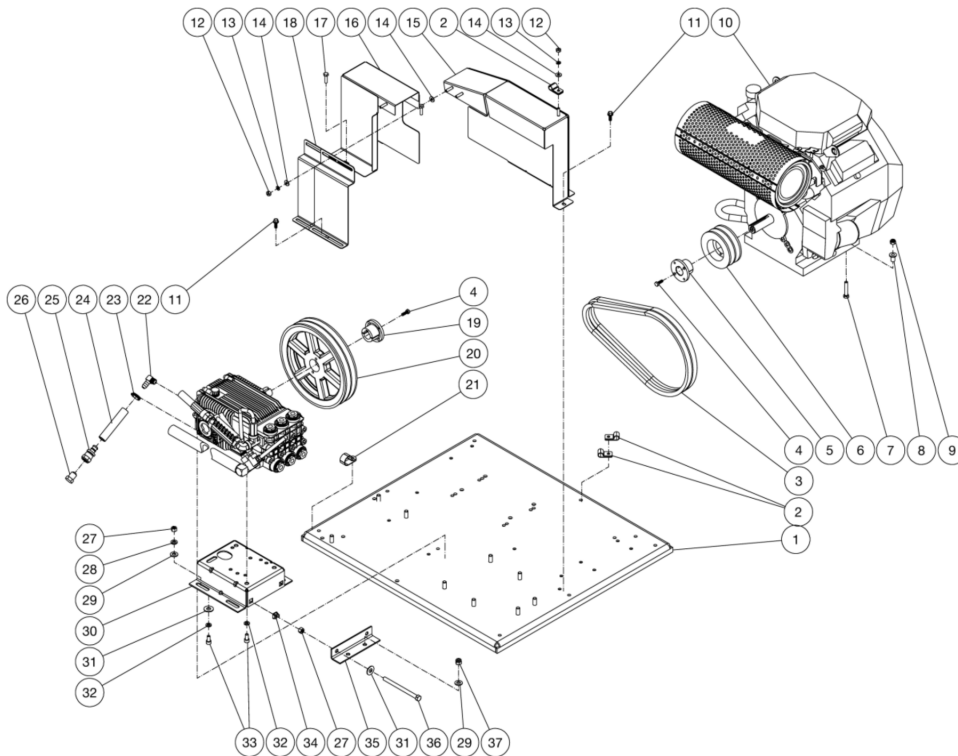
| Id | Item #                            | Description   | Quantity | Rev | Comments |
|----|-----------------------------------|---|----------|-----|----------|
| 12 | HDC KUBOTA CONTROL PANEL          | HDC KUBOTA CONTROL PANEL (DIESEL)                     | 1        |     |          |
| 13 | 27-1200                           | BOLT  | 11       |     |          |
| 14 | HDC ELECTRIC BOX ASSY             | ELECTRIC BOX ASSEMBLY                                 | 1        |     |          |
| 15 | 30-0157                           | LOCKNUT   | 20       |     |          |
| 16 | 14-0110                           | ISOLATOR  | 8        |     |          |
| 17 | HDC ISOLATION PLATE               | ISOLATION PLATE ASSEMBLY                              | 1        |     |          |
| 17 | HDC KUBOTA ISO PLATE              | ISOLATION PLATE ASSEMBLY                              | 1        |     |          |
| 18 | 20-1135A18                        | BATTERY TRAY  | 1        |     |          |
| 19 | 32-0066                           | BATTERY END   | 2        |     |          |
| 20 | 32-9113                           | CABLE   | 1        |     |          |
| 21 | 32-9114                           | CABLE   | 1        |     |          |
| 22 | 33-0093                           | BATTERY BOX   | 1        |     |          |
| 23 | 62-0229                           | AIR CLEANER ADAPTER (GASOLINE MODELS)                 | 1        |     |          |
| 24 | 15-0261                           | FUEL HOSE *(SEVEN FEET REQUIRED)<br>(GASOLINE MODELS) | 1        |     |          |
| 25 | 27-0071                           | BOLT  | 2        |     |          |
| 26 | 28-0004                           | WASHER  | 16       |     |          |
| 27 | 27-0576                           | BOLT  | 8        |     |          |
| 28 | 30-0159                           | LOCKNUT   | 8        |     |          |
| 29 | 30-0155                           | LOCKNUT   | 6        |     |          |
| 30 | 28-0002                           | WASHER  | 12       |     |          |
| 31 | 27-0022                           | BOLT  | 4        |     |          |
| 32 | HDC 3005/3505 HEAT EXCHANGER ASSY | HEAT EXCHANGER ASSEMBLY (3005/3505)                   | 1        |     |          |
| 32 | HDC 4004 HEAT EXCHANGER ASSY      | HEAT EXCHANGER ASSY (4004)                            | 1        |     |          |
| 33 | HDS FLOAT TANK ASSY               | FLOAT TANK ASSEMBLY                                   | 1        |     |          |
| 34 | 42-0003                           | HOSE CLAMP  | 1        |     |          |
| 35 | 15-0033                           | HOSE *(TWO FEET REQUIRED)                             | 1        |     |          |
| 36 | 62-0218                           | BREATHER VENT COVER (GASOLINE MODELS)                 | 1        |     |          |
| 37 | 62-0212                           | CARB CANISTER (GASOLINE MODELS)                       | 1        |     |          |
| 38 | 20-1187A01                        | CARB CANISTER STRAP (GASOLINE MODELS)                 | 2        |     |          |
| 39 | 20-1197                           | CARB CANISTER MOUNT (GASOLINE MODELS)                 | 1        |     |          |
| 40 | 27-0015                           | BOLT  | 2        |     |          |
| 41 | HDS GAS TANK ASSY                 | GAS TANK ASSEMBLY                                     | 1        |     |          |
| 41 | DIESEL FUEL TANK ASSY             | DIESEL FUEL TANK ASSEMBLY (DIESEL)                    | 1        |     |          |
| 42 | 27-0072                           | BOLT  | 2        |     |          |

\*MUST ORDER IN ONE FOOT LENGTHS



HDC-3505-0H6G / HDC-3505-0H6G (sn:0-99999999)

## ISOLATION PLATE



| Id | Item #     | Description                                      | Quantity | Rev | Comments |
|----|------------|--|----------|-----|----------|
| 1  | 05-0170A18 | ISOLATION PLATE                                  | 1        |     |          |
| 2  | 43-0003    | CLIP   | 3        |     |          |
| 3  | 11-0052    | BELT (3005/3505)                                 | 2        |     |          |
| 3  | 11-0050    | BELT (4004)                                      | 2        |     |          |
| 4  | 27-0015    | BOLT   | 4        |     |          |
| 5  | 9-0005     | BUSHING (HDC-3005/3505/4004-0V6G/3505/4004-0H6G) | 1        |     |          |
| 5  | 9-0007     | BUSHING (HDC-3505-0K6G)                          | 1        |     |          |
| 5  | 9-0010     | BUSHING (HDC-3005-0K6G)                          | 1        |     |          |
| 6  | 10-0125    | SHEAVE   | 1        |     |          |
| 7  | 27-0070    | BOLT (HONDA/VANGUARD ONLY)                       | 4        |     |          |
| 7  | 27-0120    | BOLT (KOHLER ONLY)                               | 4        |     |          |
| 8  | 33-0169    | SHIM (HONDA ONLY)                                | 4        |     |          |
| 8  | 28-0004    | WASHER (KOHLER ONLY)                             | 4        |     |          |
| 8  | 28-0003    | FLATWASHER (VANGUARD ONLY)                       | 4        |     |          |

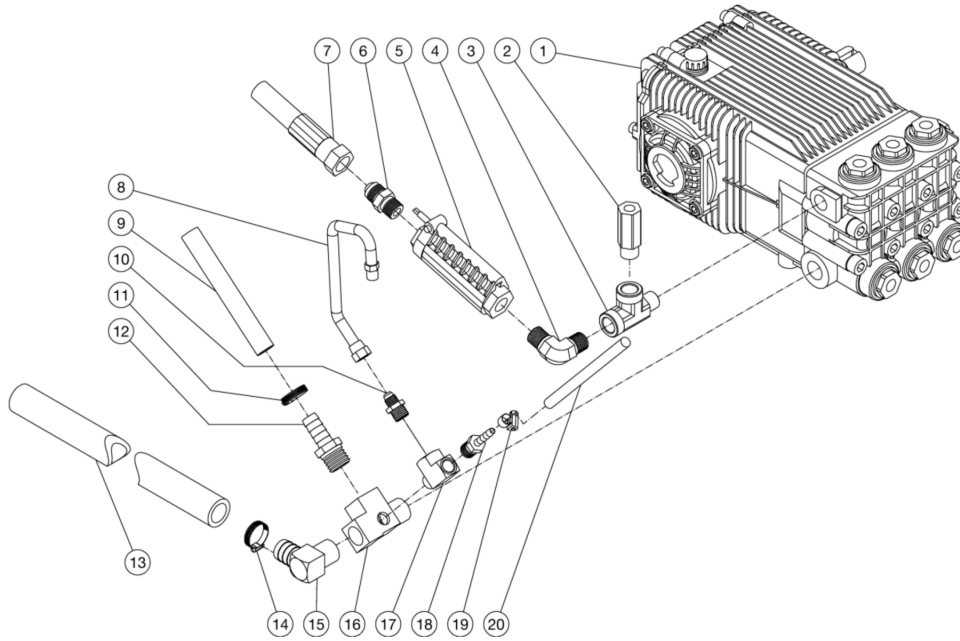
| <b>Id</b> | <b>Item #</b> | <b>Description</b>                                | <b>Quantity</b> | <b>Rev</b> | <b>Comments</b> |
|-----------|---------------|---|-----------------|------------|-----------------|
| 9         | 30-0157       | LOCKNUT (HONDA/VANGUARD ONLY)                     | 4               |            |                 |
| 9         | 30-0159       | NUT (KOHLER ONLY)                                 | 4               |            |                 |
| 10        | 850-0393      | GX630 HONDA ENGINE (HDC-3505-1H6G; HDC-4004-1H6A) | 1               |            |                 |
| 10        | 850-0333      | 20 HP KOHLER ENGINE (HDC-3505/4004-0K6G)          | 1               |            |                 |
| 10        | 850-0332      | 18 HP KOHLER ENGINE (HDC-3005-0K6G)               | 1               |            |                 |
| 10        | 850-0330      | 16 HP VANGUARD ENGINE (HDC-3005-0V6G)             | 1               |            |                 |
| 10        | 850-0331      | 21 HP VANGUARD ENGINE (HDC-3505/4004-0V6G)        | 1               |            |                 |
| 11        | 27-1200       | BOLT  | 4               |            |                 |
| 12        | 30-0002       | NUT   | 4               |            |                 |
| 13        | 29-0006       | LOCKWASHER  | 6               |            |                 |
| 14        | 28-0002       | WASHER  | 8               |            |                 |
| 15        | 06-0092A18    | PUMP BELTGUARD                                    | 1               |            |                 |
| 16        | 20-0690A18    | BELTGUARD   | 1               |            |                 |
| 17        | 27-0016       | BOLT  | 2               |            |                 |
| 18        | 20-0589A18    | BELTGUARD COVER                                   | 2               |            |                 |
| 19        | 9-0017        | BUSHING   | 1               |            |                 |
| 20        | 10-0037       | SHEAVE (3005/3505)                                | 1               |            |                 |
| 20        | 10-0012       | SHEAVE (4004)                                     | 1               |            |                 |
| 21        | 33-0291       | CLIP  | 1               |            |                 |
| 22        | 23-0119       | ELBOW   | 1               |            |                 |
| 23        | 42-0011       | HOSE CLAMP  | 1               |            |                 |
| 24        | 15-0305       | HOSE *(TWO FEET REQUIRED)                         | 1               |            |                 |
| 25        | 23-0360       | HOSE BARB   | 1               |            |                 |
| 26        | 23-0411       | PLUG  | 1               |            |                 |
| 27        | 30-0006       | NUT   | 6               |            |                 |
| 28        | 29-0008       | LOCKWASHER  | 4               |            |                 |
| 29        | 28-0004       | WASHER  | 6               |            |                 |
| 30        | 05-0153A18    | PUMP HAT  | 1               |            |                 |
| 31        | 28-0023       | WASHER  | 3               |            |                 |
| 32        | 29-0054       | LOCKWASHER (GENERAL MODELS)                       | 4               |            |                 |
| 32        | 29-0055       | LOCKWASHER (A/R MODELS)                           | 4               |            |                 |
| 33        | 27-8884       | BOLT (GENERAL MODELS)                             | 4               |            |                 |
| 33        | 27-8471       | BOLT (A/R MODELS)                                 | 4               |            |                 |
| 34        | 30-6025       | CLIP NUT  | 2               |            |                 |
| 35        | 20-0584A18    | TENSION BRACKET                                   | 1               |            |                 |
| 36        | 27-0133       | BOLT  | 2               |            |                 |
| 37        | 30-0159       | LOCKNUT   | 2               |            |                 |

\*MUST ORDER IN ONE FOOT LENGTHS



HDC-3505-0H6G / HDC-3505-0H6G (sn:0-99999999)

## PUMP PLUMBING



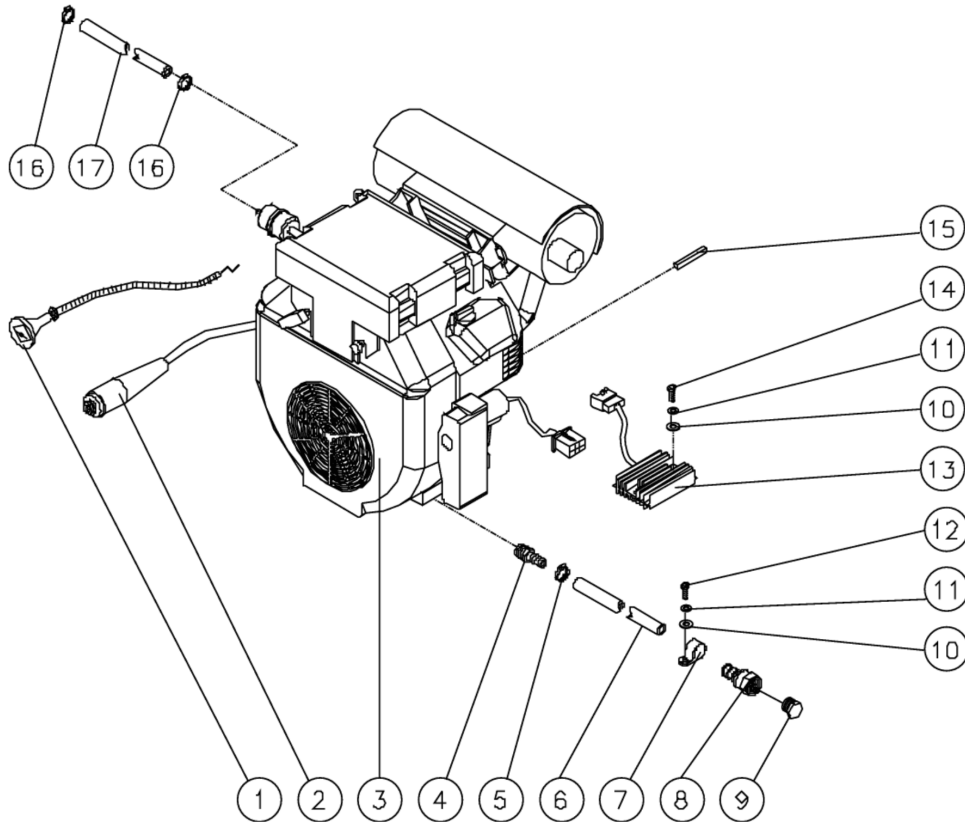
| Id | Item #  | Description                 | Quantity | Rev | Comments |
|----|---------|-----------------------------|----------|-----|----------|
| 1  | 3-0213  | PUMP (4004)                 | 1        |     |          |
| 1  | 3-0202  | PUMP (3005/3505)            | 1        |     |          |
| 2  | 22-0242 | EASY START VALVE (4004)     | 1        |     |          |
| 3  | 23-0058 | STREET TEE (4004)           | 1        |     |          |
| 4  | 24-0131 | ELBOW                       | 1        |     |          |
| 5  | 22-0428 | FLOW SWITCH                 | 1        |     |          |
| 6  | 24-0002 | NIPPLE                      | 1        |     |          |
| 7  | 15-0221 | HIGH PRESSURE HOSE ASSEMBLY | 1        |     |          |
| 8  | 15-0140 | EASY START HOSE (4004)      | 1        |     |          |
| 9  | 15-0007 | HOSE *(THREE FEET REQUIRED) | 1        |     |          |
| 10 | 23-0247 | NIPPLE (4004)               | 1        |     |          |
| 11 | 42-0011 | HOSE CLAMP                  | 1        |     |          |
| 12 | 23-0045 | BARB                        | 1        |     |          |
| 13 | 15-0033 | HOSE *(THREE FEET REQUIRED) | 1        |     |          |
| 14 | 42-0003 | HOSE CLAMP                  | 1        |     |          |
| 15 | 23-0037 | ELBOW                       | 1        |     |          |

| <b>Id</b> | <b>Item #</b> | <b>Description</b>              | <b>Quantity</b> | <b>Rev</b> | <b>Comments</b> |
|-----------|---------------|---------------------------------|-----------------|------------|-----------------|
| 16        | 23-0388       | STREET TEE                      | 1               |            |                 |
| 17        | 23-0127       | TEE (4004)                      | 1               |            |                 |
| 18        | 23-0051       | BARB                            | 1               |            |                 |
| 19        | 42-0004       | CLAMP WORM                      | 1               |            |                 |
| 20        | 15-0079       | HOSE *(TWO FEET REQUIRED)       | 1               |            |                 |
|           |               | *MUST ORDER IN ONE FOOT LENGTHS |                 |            |                 |



HDC-3505-0H6G / HDC-3505-0H6G (sn:0-99999999)

## ENGINE ASSEMBLY



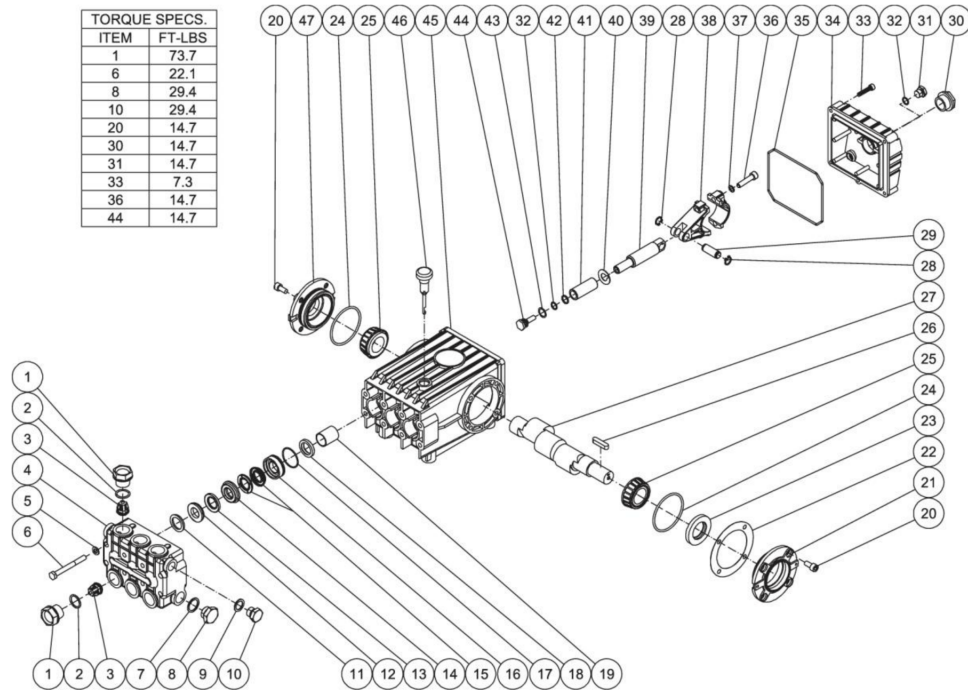
| Id | Item #  | Description                     | Quantity | Rev | Comments |
|----|---------|---------------------------------|----------|-----|----------|
| 1  | 33-0081 | CHOKE CABLE                     | 1        |     |          |
| 2  | 45-0076 | KEY SWITCH ASSEMBLY (W/ 1-0142) | 1        |     |          |
| 3  | 1-0142  | ENGINE- 20HP HONDA              | 1        |     |          |
| 4  | 23-0105 | BARB                            | 1        |     |          |
| 5  | 42-0011 | CLAMP WORM                      | 1        |     |          |
| 6  | 15-0007 | HOSE *(ONE FOOT REQUIRED)       | 1        |     |          |
| 7  | 33-0291 | TUBE CLIP                       | 1        |     |          |
| 8  | 23-0360 | HOSE BARB                       | 1        |     |          |
| 9  | 23-0411 | PLUG                            | 1        |     |          |
| 10 | 28-0002 | WASHER                          | 3        |     |          |
| 11 | 29-0006 | LOCKWASHER                      | 3        |     |          |
| 12 | 27-0015 | SCREW                           | 1        |     |          |

| <b>Id</b> | <b>Item #</b> | <b>Description</b>              | <b>Quantity</b> | <b>Rev</b> | <b>Comments</b> |
|-----------|---------------|---------------------------------|-----------------|------------|-----------------|
| 13        | N/A Sep.      | RECTIFIER (SEE 1-0142)          | 1               |            |                 |
| 14        | 27-0016       | SCREW                           | 2               |            |                 |
| 15        | 43-0078       | KEY                             | 1               |            |                 |
| 16        | 42-0004       | CLAMP                           | 2               |            |                 |
| 17        | 15-0008       | HOSE *(FOUR FEET REQUIRED)      | 1               |            |                 |
|           |               | *MUST ORDER IN ONE FOOT LENGTHS |                 |            |                 |



HDC-3505-0H6G / HDC-3505-0H6G (sn:0-99999999)

## PUMP ASSEMBLY



<https://mitm.smartequip.net/mitm/#/library/tree/supplier?key=c7507ec4053c3d991112b3f94101dd12d0c8f084&printnow=true>

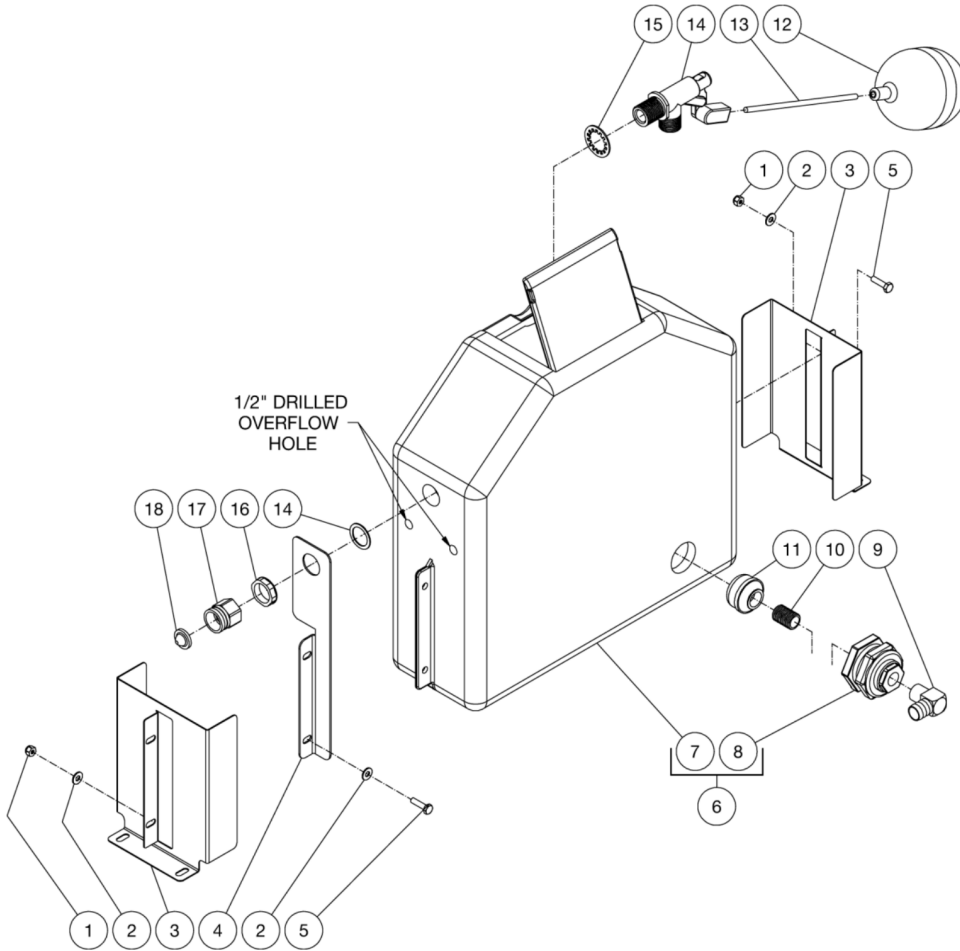
| Id | Item #  | Description  | Quantity | Rev | Comments |
|----|---------|--|----------|-----|----------|
| 1  | 46-0889 | VALVE CAP  | 6        |     |          |
| 2  | 25-0012 | O-RING   | 6        |     |          |
| 3  | 22-0056 | VALVE (SEE KIT 70-0009)                                    | 6        |     |          |
| 4  | 46-0890 | MANIFOLD   | 1        |     |          |
| 5  | 28-1039 | WASHER   | 8        |     |          |
| 6  | 27-8185 | BOLT   | 8        |     |          |
| 7  | 28-1038 | WASHER   | 2        |     |          |
| 8  | 39-0019 | PLUG   | 2        |     |          |
| 9  | 28-1002 | WASHER   | 2        |     |          |
| 10 | 39-0018 | PLUG   | 2        |     |          |
| 11 | 70-0030 | HEAD RING (SEE KIT 70-0030 AND 852-0122)                   | 3        |     |          |
| 12 | 26-0098 | V-PACKING SUPPORT (SEE KIT 70-0147 AND 852-0122)           | 3        |     |          |
| 13 | 25-0207 | O-RING (SEE KIT 70-0147 AND 70-0148 AND 852-0122)          | 3        |     |          |
| 14 | 46-0659 | HIGH PRESSURE INTERMEDIATE SEAL RETAINER (SEE KIT 70-0148) | 3        |     |          |
| 15 | 26-0197 | PRESSURE SEAL (SEE KIT 70-0147 AND 852-0122)               | 3        |     |          |

| Id  | Item #   | Description                                | Quantity | Rev | Comments |
|-----|----------|--|----------|-----|----------|
| 16  | 46-0057  | LOW PRESSURE SEAL RETAINER                 | 3        |     |          |
| 17  | 25-0015  | O-RING (SEE KIT 852-0122)                  | 3        |     |          |
| 18  | 26-0047  | OIL SEAL                                   | 3        |     |          |
| 19  | 9-0029   | BUSHING                                    | 3        |     |          |
| 20  | 27-8431  | BOLT                                       | 8        |     |          |
| 21  | 46-0296  | CRANKCASE COVER                            | 1        |     |          |
| 22  | 46-0113  | SHIM                                       | 1        |     |          |
| 23  | 26-0049  | OIL SEAL                                   | 1        |     |          |
| 24  | 25-0013  | O-RING                                     | 2        |     |          |
| 25  | 48-0012  | BEARING                                    | 2        |     |          |
| 26  | 43-0048  | KEY  | 1        |     |          |
| 27  | 46-0050  | CRANKSHAFT                                 | 1        |     |          |
| 28  | 46-0103  | RETAINING RING                             | 6        |     |          |
| 29  | 43-0032  | CONNECTING ROD PIN                         | 3        |     |          |
| 30  | 46-0114  | OIL LEVEL INDICATOR                        | 1        |     |          |
| 31  | 39-0017  | PLUG                                       | 1        |     |          |
| 32  | 25-0014  | O-RING                                     | 4        |     |          |
| 33  | 27-8404  | BOLT                                       | 5        |     |          |
| 34  | 46-0295  | CRANKCASE OPEN COVER                       | 1        |     |          |
| 35  | 25-0339  | O-RING                                     | 1        |     |          |
| 36  | 27-8435  | BOLT                                       | 6        |     |          |
| 37  | 29-0154  | LOCKWASHER                                 | 6        |     |          |
| 38  | 46-0051  | CONNECTING ROD                             | 3        |     |          |
| 39  | 46-0056  | PISTON ROD                                 | 3        |     |          |
| 40  | 46-0146  | SLINGER WASHER                             | 3        |     |          |
| 41  | 46-0052  | PLUNGER                                    | 3        |     |          |
| 42  | 46-0109  | BACK-UP RING                               | 3        |     |          |
| 43  | 28-0400  | WASHER                                     | 3        |     |          |
| 44  | 46-0069  | NUT / PISTON                               | 3        |     |          |
| 45  | 46-0047  | CRANKCASE                                  | 1        |     |          |
| 46  | 46-0144  | OIL DIP STICK                              | 1        |     |          |
| 47  | 46-0336  | CRANKCASE COVER                            | 1        |     |          |
| KIT | 70-0009  | VALVES (INC. 6 EACH 3)                     |          |     |          |
| KIT | 70-0030  | HEAD RING (INC. 3 EACH 11)                 |          |     |          |
| KIT | 70-0147  | V-PACKING (INC. 3 EACH 12, 13, 15)         |          |     |          |
| KIT | 70-0148  | INTERMEDIATE RETAINER (INC. 3 EACH 13, 14) |          |     |          |
| KIT | 852-0122 | V-PACKING ASSY (INC. 3 EACH 11-13, 15, 17) |          |     |          |



HDC-3505-0H6G / HDC-3505-0H6G (sn:0-99999999)

## FLOAT TANK ASSEMBLY



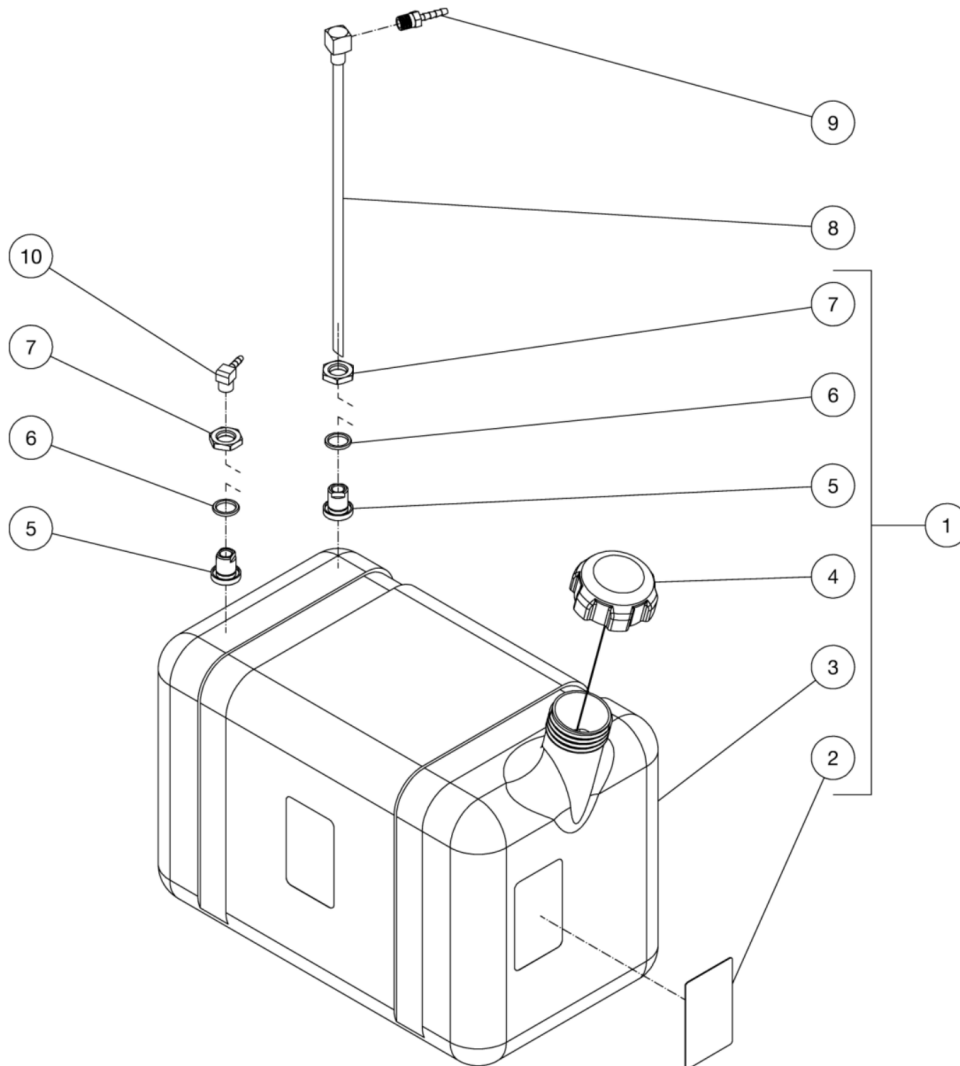
| Id | Item #     | Description                    | Quantity | Rev | Comments |
|----|------------|--------------------------------|----------|-----|----------|
| 1  | 30-0155    | LOCKNUT                        | 4        |     |          |
| 2  | 28-0002    | WASHER                         | 6        |     |          |
| 3  | 20-0586A18 | BRACKET / FLOAT TANK           | 2        |     |          |
| 4  | 20-0912A18 | BRACKET                        | 1        |     |          |
| 5  | 27-0016    | BOLT                           | 4        |     |          |
| 6  | 850-0322   | FLOAT TANK ASSEMBLY (INC. 7-8) | 1        |     |          |
| 7  | N/A        | FLOAT TANK                     | 1        |     |          |
| 8  | N/A        | BULKHEAD (INC. 25-0506 GASKET) | 1        |     |          |
| 9  | 23-0037    | ELBOW                          | 1        |     |          |
| 10 | 23-0019    | NIPPLE                         | 1        |     |          |

| <b>Id</b> | <b>Item #</b> | <b>Description</b> | <b>Quantity</b> | <b>Rev</b> | <b>Comments</b> |
|-----------|---------------|--------------------|-----------------|------------|-----------------|
| 11        | 19-0203       | STRAINER           | 1               |            |                 |
| 12        | 22-0059       | FLOAT              | 1               |            |                 |
| 13        | 31-3320       | BALL FLOAT STUD    | 1               |            |                 |
| 14        | 22-0317       | FLOAT VALVE        | 1               |            |                 |
| 15        | 29-0074       | LOCKWASHER         | 1               |            |                 |
| 16        | 23-0428       | LOCKNUT            | 1               |            |                 |
| 17        | 23-0021       | GARDEN HOSE INLET  | 1               |            |                 |
| 18        | 19-0001       | FILTER             | 1               |            |                 |



HDC-3505-0H6G / HDC-3505-0H6G (sn:0-99999999)

## GAS TANK ASSEMBLY



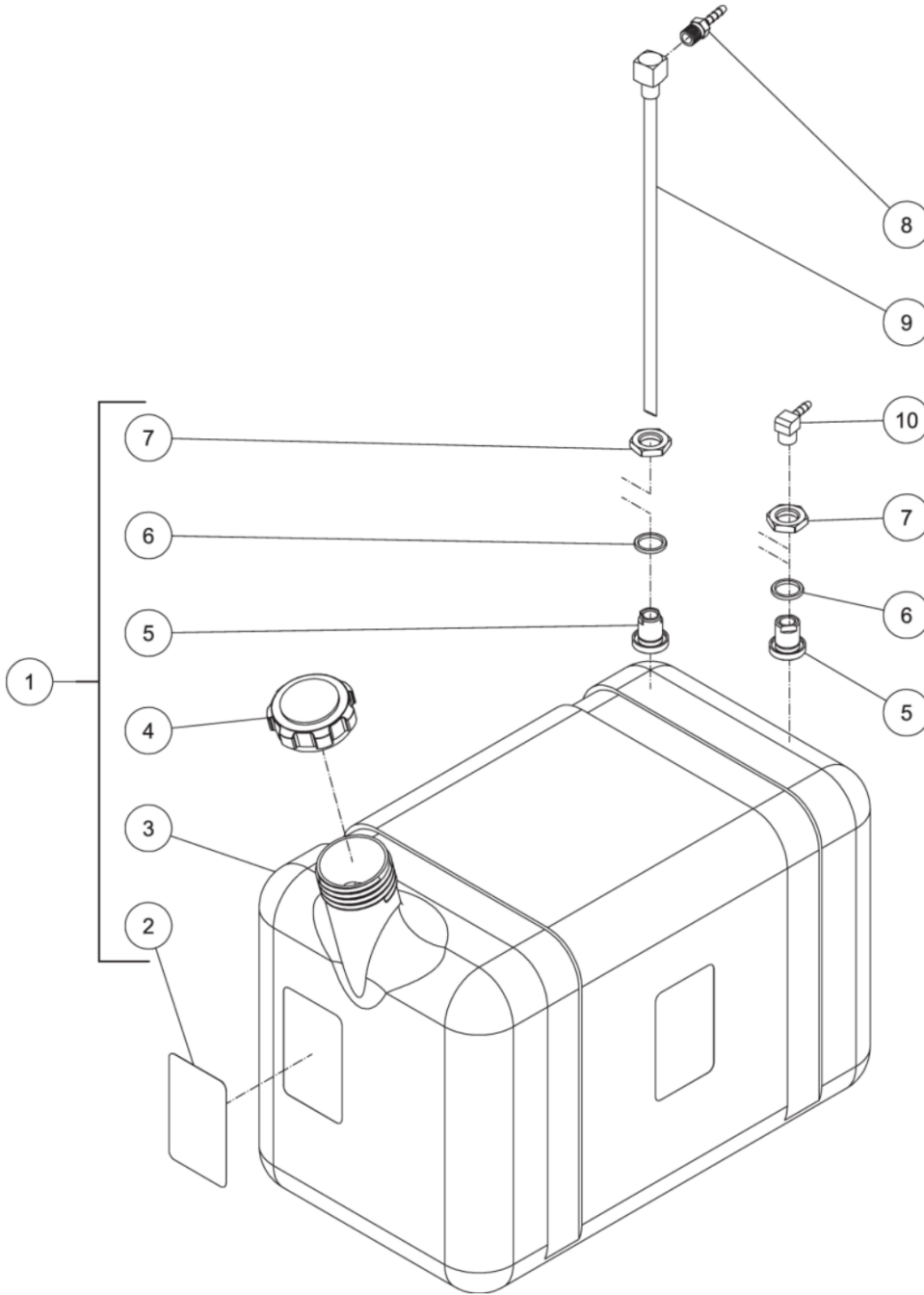
| Id | Item #   | Description                                 | Quantity | Rev | Comments |
|----|----------|---|----------|-----|----------|
| 1  | 850-0306 | GAS TANK ASSY (INC 2-7)                     | 1        |     |          |
| 2  | N/A      | DECAL- CAUTION: GASOLINE ONLY (SEE 71-0034) | 1        |     |          |
| 3  | N/A      | FUEL TANK - RED                             | 1        |     |          |
| 4  | 12-0220  | FUEL CAP - SEALED/TETHERED                  | 1        |     |          |
| 5  | 23-0408  | BULKHEAD FITTING                            | 2        |     |          |
| 6  | 25-0427  | O-RING                                      | 2        |     |          |
| 7  | 23-0409  | NUT   | 2        |     |          |
| 8  | 33-0352  | FUEL PICK-UP                                | 1        |     |          |

| <b>Id</b> | <b>Item #</b> | <b>Description</b> | <b>Quantity</b> | <b>Rev</b> | <b>Comments</b> |
|-----------|---------------|--------------------|-----------------|------------|-----------------|
| 9         | 23-0051       | BARB               | 1               |            |                 |
| 10        | 23-0054       | ELBOW              | 1               |            |                 |



HDC-3505-0H6G / HDC-3505-0H6G (sn:0-99999999)

## BURNER FUEL TANK



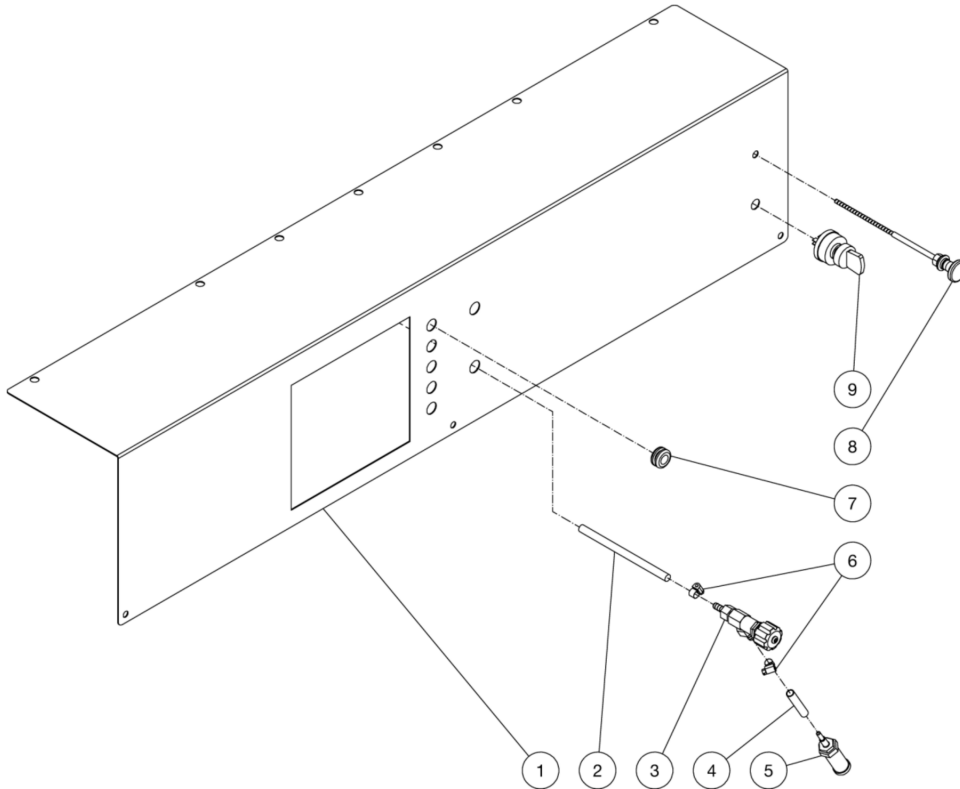
| Id | Item #   | Description                                | Quantity | Rev | Comments |
|----|----------|--|----------|-----|----------|
| 1  | 850-0307 | FUEL TANK ASSEMBLY (INC. 2-3, 5-7)         | 1        |     |          |
| 2  | N/A SEP. | DECAL- CAUTION: RISK OF FIRE (SEE 71-0041) | 1        |     |          |

| <b>Id</b> | <b>Item #</b> | <b>Description</b>            | <b>Quantity</b> | <b>Rev</b> | <b>Comments</b> |
|-----------|---------------|-------------------------------|-----------------|------------|-----------------|
| 3         | N/A Sep.      | FUEL TANK (SEE 850-0307)      | 1               |            |                 |
| 4         | 12-0033       | FUEL CAP                      | 1               |            |                 |
| 5         | 23-0408       | BULKHEAD FITTING              | 2               |            |                 |
| 6         | 25-0427       | O-RING                        | 2               |            |                 |
| 7         | 23-0409       | NUT                           | 2               |            |                 |
| 8         | 23-0051       | HOSE BARB                     | 1               |            |                 |
| 9         | 33-0352       | FUEL PICKUP                   | 1               |            |                 |
| 10        | 23-0054       | ELBOW                         | 1               |            |                 |
|           | 71-0041       | SAFETY DECAL KIT (INCLUDES 2) |                 |            |                 |



HDC-3505-0H6G / HDC-3505-0H6G (sn:0-99999999)

## CONTROL PANEL ASSEMBLY



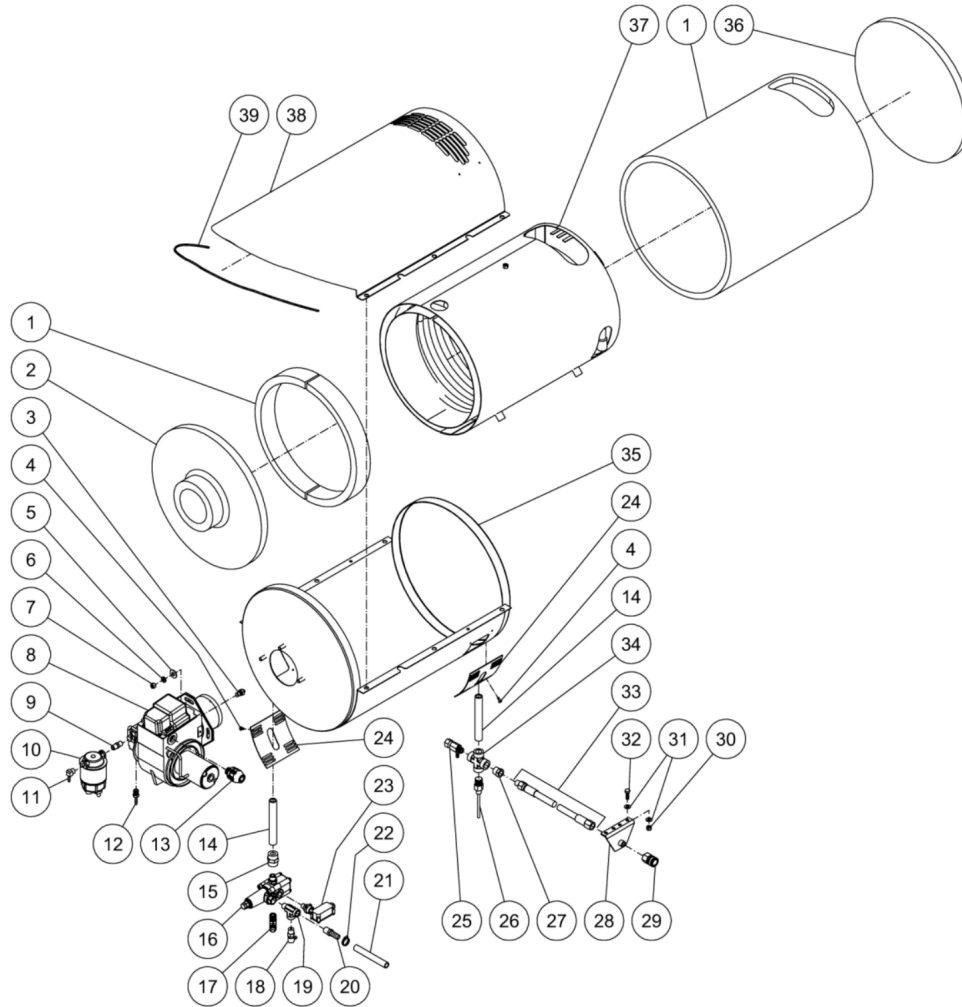
| Id | Item #     | Description                  | Quantity | Rev | Comments |
|----|------------|------------------------------|----------|-----|----------|
| 1  | 20-1095A18 | CONTROL PANEL                | 1        |     |          |
| 2  | 15-0079    | HOSE *(TWO FEET REQUIRED)    | 1        |     |          |
| 3  | 22-0226    | DETERGENT VALVE              | 1        |     |          |
| 4  | 15-0021    | HOSE *(SIX FEET REQUIRED)    | 1        |     |          |
| 5  | 19-0056    | STRAINER                     | 1        |     |          |
| 6  | 42-0004    | CLAMP WORM                   | 2        |     |          |
| 7  | 33-0001    | GROMMET                      | 5        |     |          |
| 8  | 33-0081    | CHOKE CABLE                  | 1        |     |          |
| 9  | 45-0076    | KEY SWITCH (HONDA ENGINE)    | 1        |     |          |
| 9  | 45-0071    | KEY SWITCH (KOHLER ENGINE)   | 1        |     |          |
| 9  | 45-0079    | KEY SWITCH (VANGUARD ENGINE) | 1        |     |          |

\*MUST ORDER IN ONE FOOT LENGTHS



HDC-3505-0H6G / HDC-3505-0H6G (sn:0-99999999)

## HEAT EXCHANGER ASSEMBLY



| Id | Item #   | Description          | Quantity | Rev | Comments |
|----|----------|----------------------|----------|-----|----------|
| 1  | 850-0279 | INSULATION BLANKET   | 1        |     |          |
| 2  | 33-0345  | INSULATION DRUM HEAD | 1        |     |          |
| 3  | 18-0090  | FUEL NOZZLE          | 1        |     |          |
| 4  | 27-3062  | BOLT                 | 8        |     |          |
| 5  | 28-0023  | WASHER               | 3        |     |          |
| 6  | 29-0008  | LOCKWASHER           | 3        |     |          |
| 7  | 30-0006  | NUT                  | 3        |     |          |
| 8  | 4-0021   | BURNER               | 1        |     |          |
| 9  | 24-0145  | NIPPLE               | 1        |     |          |

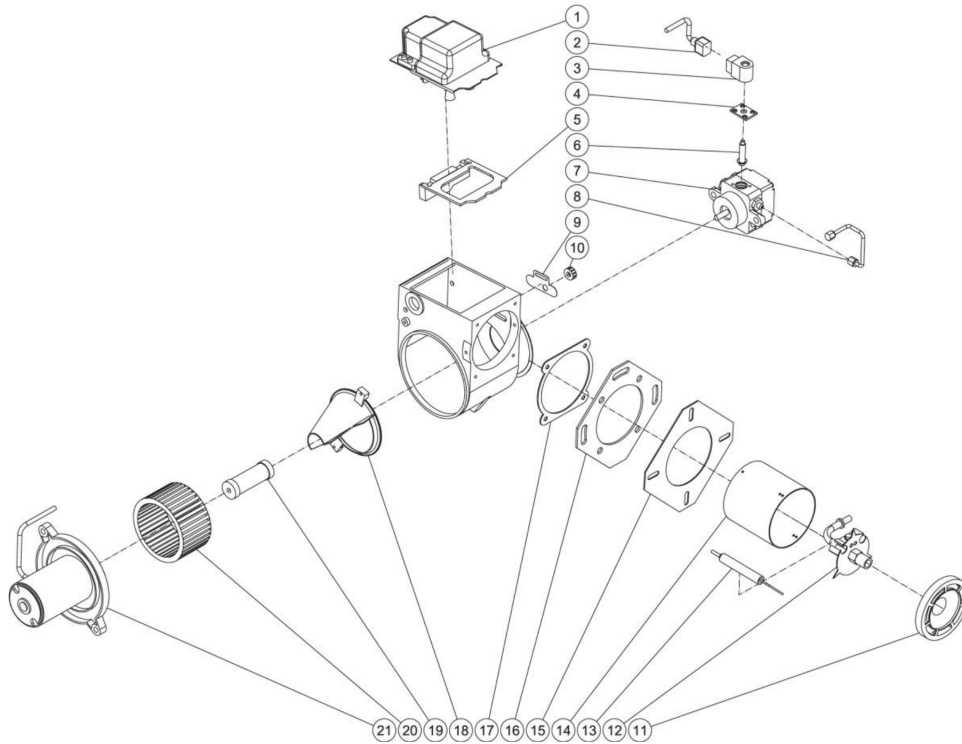
| Id | Item #     | Description                   | Quantity | Rev | Comments |
|----|------------|-------------------------------|----------|-----|----------|
| 10 | 19-0070    | FUEL FILTER / WATER SEPERATOR | 1        |     |          |
| 11 | 23-0054    | ELBOW                         | 1        |     |          |
| 12 | 23-0051    | BARB                          | 1        |     |          |
| 13 | 32-0255    | CONDUIT FITTING               | 1        |     |          |
| 14 | 24-0254    | PIPE NIPPLE                   | 2        |     |          |
| 15 | 24-0243    | ADAPTER                       | 1        |     |          |
| 16 | 8-0013     | UNLOADER                      | 1        |     |          |
| 17 | 24-0092    | ELBOW                         | 1        |     |          |
| 18 | 22-0432    | HEAT DUMP VALVE               | 1        |     |          |
| 19 | 23-0058    | STREET TEE                    | 1        |     |          |
| 20 | 23-0105    | HOSE BARB                     | 1        |     |          |
| 20 | 23-0050    | ELBOW HOSE BARB               | 1        |     |          |
| 21 | 15-0007    | HOSE *(THREE FEET REQUIRED)   | 1        |     |          |
| 22 | 42-0011    | HOSE CLAMP                    | 1        |     |          |
| 23 | 22-0243    | PRESSURE SWITCH               | 1        |     |          |
| 24 | 20-0537A18 | PATCH PLATE                   | 2        |     |          |
| 25 | 22-0309    | SAFETY RELIEF VALVE           | 1        |     |          |
| 26 | 32-0667    | HI-LIMIT SWITCH               | 1        |     |          |
| 27 | 23-0016    | REDUCER BUSHING               | 1        |     |          |
| 28 | 13-0199A18 | WATER OUTLET BRACKET          | 1        |     |          |
| 29 | 17-0004    | QC SOCKET                     | 1        |     |          |
| 30 | 30-0157    | LOCKNUT                       | 2        |     |          |
| 31 | 28-0003    | WASHER                        | 4        |     |          |
| 32 | 27-0067    | BOLT                          | 2        |     |          |
| 33 | 15-0202    | HP HOSE                       | 1        |     |          |
| 34 | 24-0241    | CROSS                         | 1        |     |          |
| 35 | 20-0527A18 | BOTTOM WRAP                   | 1        |     |          |
| 36 | 33-0346    | INSULATION DISC               | 1        |     |          |
| 37 | 66-0014    | COIL                          | 1        |     |          |
| 38 | 21-0129    | TOP WRAP                      | 1        |     |          |
| 39 | 33-0020    | EDGING *(THREE FEET REQUIRED) | 1        |     |          |

\*MUST ORDER IN ONE FOOT LENGTHS



HDC-3505-0H6G / HDC-3505-0H6G (sn:0-99999999)

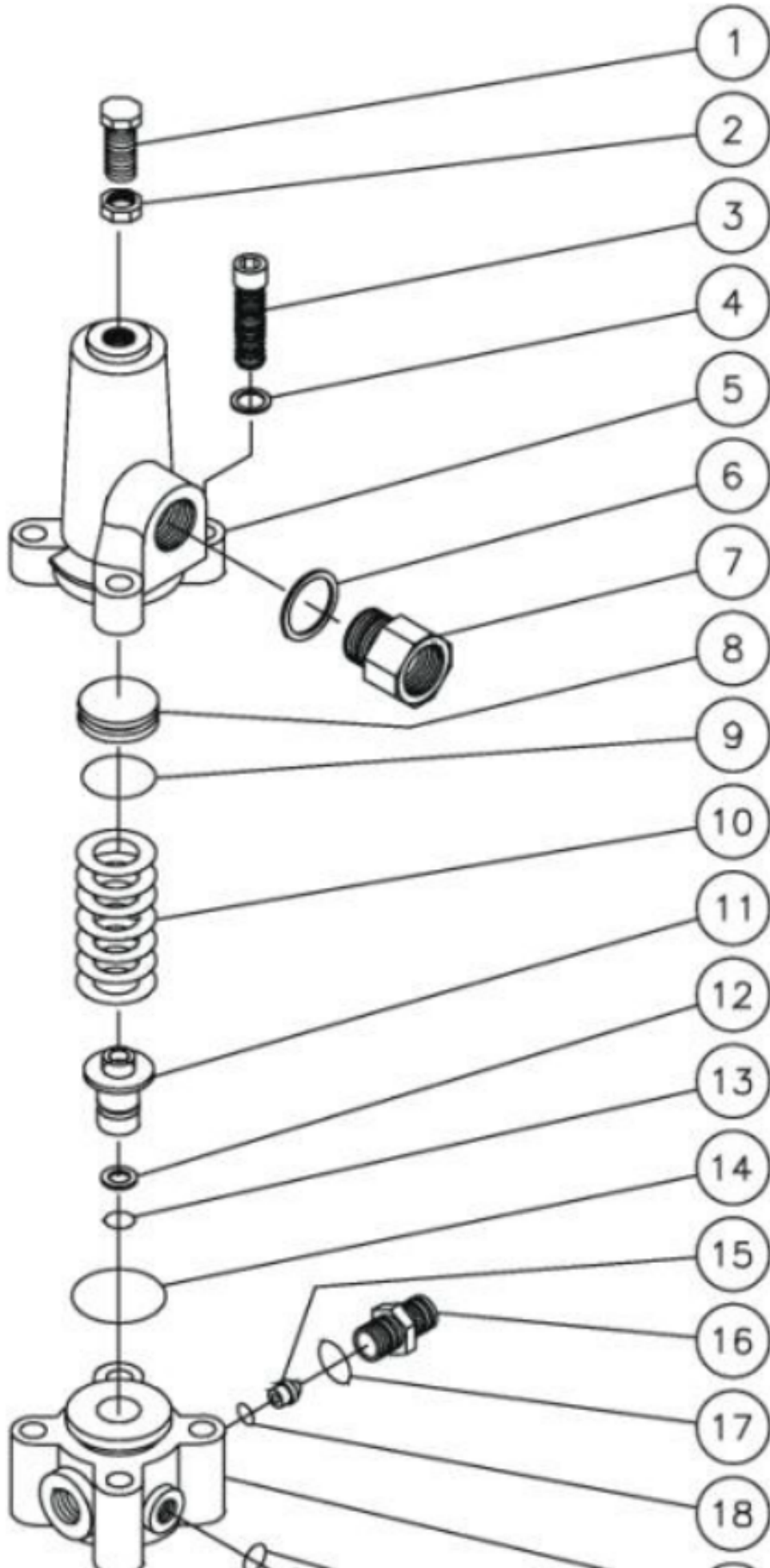
## BURNER ASSEMBLY

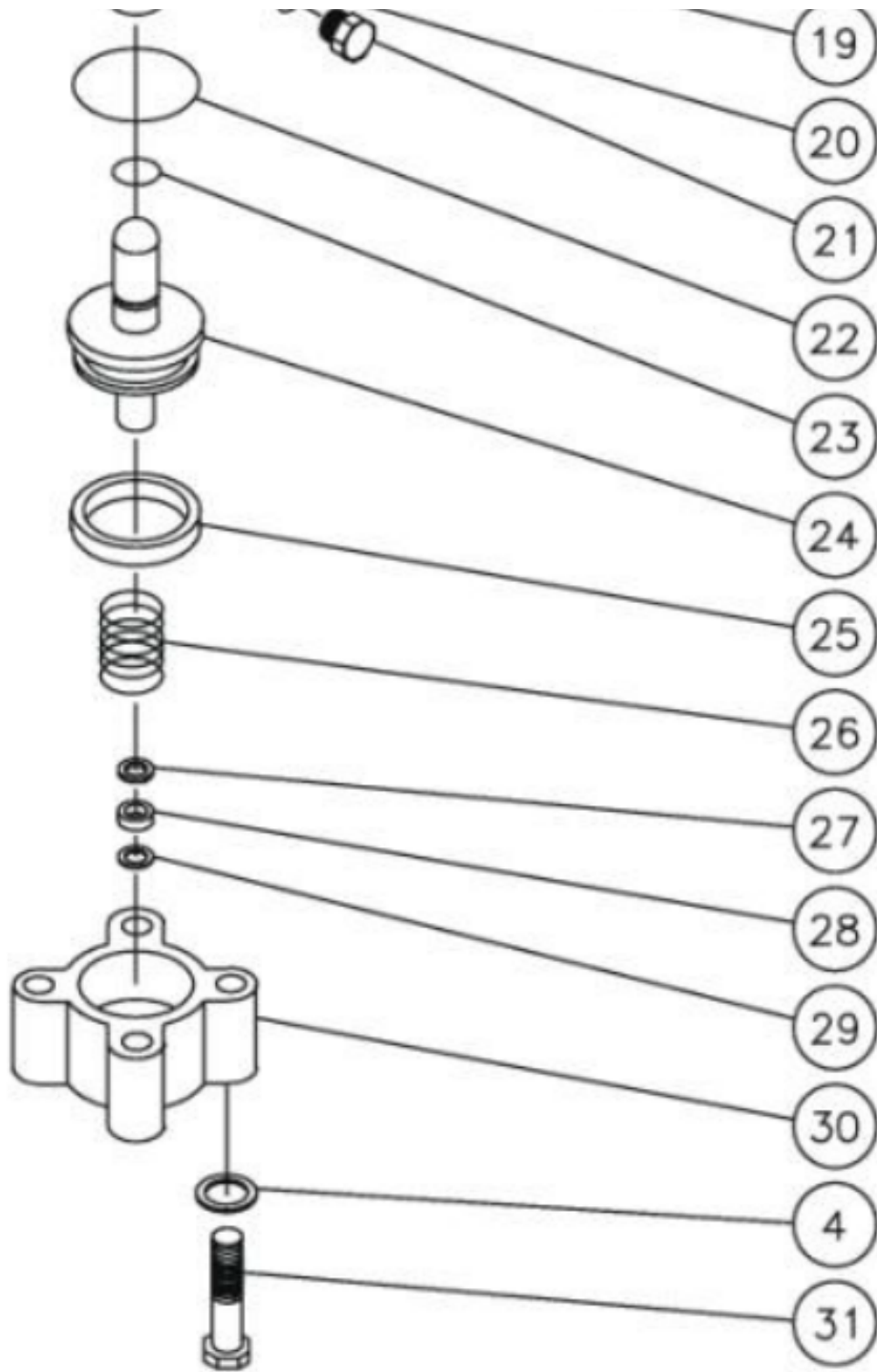


| Id | Item #  | Description               | Quantity | Rev | Comments |
|----|---------|---------------------------|----------|-----|----------|
| 1  | 44-0125 | IGNITER ASSY W/ BASEPLATE | 1        |     |          |
| 2  | 44-0122 | CORD SET                  | 1        |     |          |
| 3  | 46-1015 | COIL                      | 1        |     |          |
| 4  | 46-1004 | TUBE BASE PLATE           | 1        |     |          |
| 5  | 70-0369 | IGNITER GASKET KIT        | 1        |     |          |
| 6  | 46-1012 | SOLENOID PISTON           | 1        |     |          |
| 7  | 3-0434  | FUEL PUMP                 | 1        |     |          |
| 8  | 44-0025 | TUBING                    | 1        |     |          |
| 9  | 44-0031 | PLATE                     | 1        |     |          |
| 10 | 44-0022 | NUT                       | 1        |     |          |
| 11 | 44-0011 | COMBUSTION HEAD           | 1        |     |          |
| 12 | 44-0111 | ELECTRODE KIT             | 1        |     |          |
| 13 | 44-0114 | ELECTRODE                 | 1        |     |          |
| 14 | 44-0110 | AIR TUBE                  | 1        |     |          |

| <b>Id</b> | <b>Item #</b> | <b>Description</b>     | <b>Quantity</b> | <b>Rev</b> | <b>Comments</b> |
|-----------|---------------|------------------------|-----------------|------------|-----------------|
| 15        | 44-0108       | FLANGE MOUNTING GASKET | 1               |            |                 |
| 16        | 44-0109       | FLANGE                 | 1               |            |                 |
| 17        | 26-0138       | GASKET FLANGE          | 1               |            |                 |
| 18        | 44-0123       | AIR GUIDE              | 1               |            |                 |
| 19        | 44-0127       | COUPLING               | 1               |            |                 |
| 20        | 44-0124       | BLOWER WHEEL           | 1               |            |                 |
| 21        | 2-0139        | MOTOR                  | 1               |            |                 |

# UNLOADER ASSEMBLY





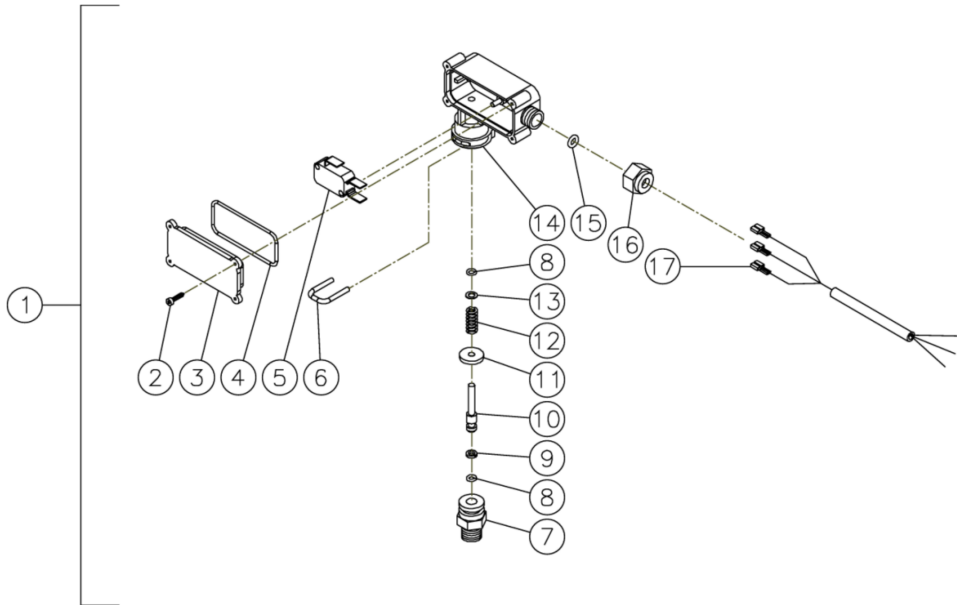
| Id | Item #  | Description                 | Quantity | Rev | Comments |
|----|---------|-----------------------------|----------|-----|----------|
| 1  | 27-8077 | BOLT                        | 1        |     |          |
| 2  | 30-3010 | HEX NUT                     | 1        |     |          |
| 3  | 27-8434 | BOLT                        | 4        |     |          |
| 4  | 29-0154 | LOCKWASHER                  | 8        |     |          |
| 5  | 8-0138  | UPPER BODY                  | 1        |     |          |
| 6  | 8-0277  | WASHER                      | 1        |     |          |
| 7  | 8-0125  | BY-PASS RESTRICTOR (8-0012) | 1        |     |          |
| 7  | 8-0124  | BY-PASS RESTRICTOR (8-0013) | 1        |     |          |
| 8  | 8-0135  | SPRING GUIDE                | 1        |     |          |

| Id  | Item #   | Description   | Quantity | Rev | Comments |
|-----|----------|---|----------|-----|----------|
| 9   | 25-0118  | O-RING  | 1        |     |          |
| 10  | 49-0026  | SPRING  | 1        |     |          |
| 11  | 8-0145   | VALVE SEAT  | 1        |     |          |
| 12  | 8-0141   | BACK-UP RING  | 1        |     |          |
| 13  | 25-0121  | O-RING  | 1        |     |          |
| 14  | 25-0117  | O-RING  | 1        |     |          |
| 15  | 8-0126   | FLOW BALANCER FOR 8-0012  | 1        |     |          |
| 15  | 8-0128   | FLOW BALANCER FOR 8-0013  | 1        |     |          |
| 16  | 8-0130   | NIPPLE  | 1        |     |          |
| 17  | 25-0052  | O-RING  | 1        |     |          |
| 18  | 25-0119  | O-RING  | 1        |     |          |
| 19  | 8-0137   | MIDDLE BODY   | 1        |     |          |
| 20  | 25-0114  | O-RING  | 2        |     |          |
| 21  | 39-0017  | HEX PLUG  | 2        |     |          |
| 22  | 25-0056  | O-RING  | 1        |     |          |
| 23  | 25-0120  | O-RING  | 1        |     |          |
| 24  | 8-0136   | PISTON ASSEMBLY   | 1        |     |          |
| 25  | 26-0104  | SEAL  | 1        |     |          |
| 26  | 49-0027  | SPRING  | 1        |     |          |
| 27  | 8-0139   | WASHER  | 1        |     |          |
| 28  | 26-0105  | SEAL  | 1        |     |          |
| 29  | 8-0140   | BACK-UP RING  | 1        |     |          |
| 30  | 8-0134   | LOWER BODY  | 1        |     |          |
| 31  | 27-8037  | BOLT  | 4        |     |          |
| KIT | 70-0013  | UNLOADER REPAIR KIT (INC. 9, 11, 13, 14, 17, 18, 20, 22-26, 28, 29) |          |     |          |
| KIT | 852-0015 | UNLAODER ORIFICE KIT (INC. 7, 15, 16) FOR 8-0013                    |          |     |          |
| KIT | 852-0014 | UNLAODER ORIFICE KIT (INC. 7, 15, 16) FOR 8-0012                    |          |     |          |



HDC-3505-0H6G / HDC-3505-0H6G (sn:0-99999999)

## PRESSURE SWITCH



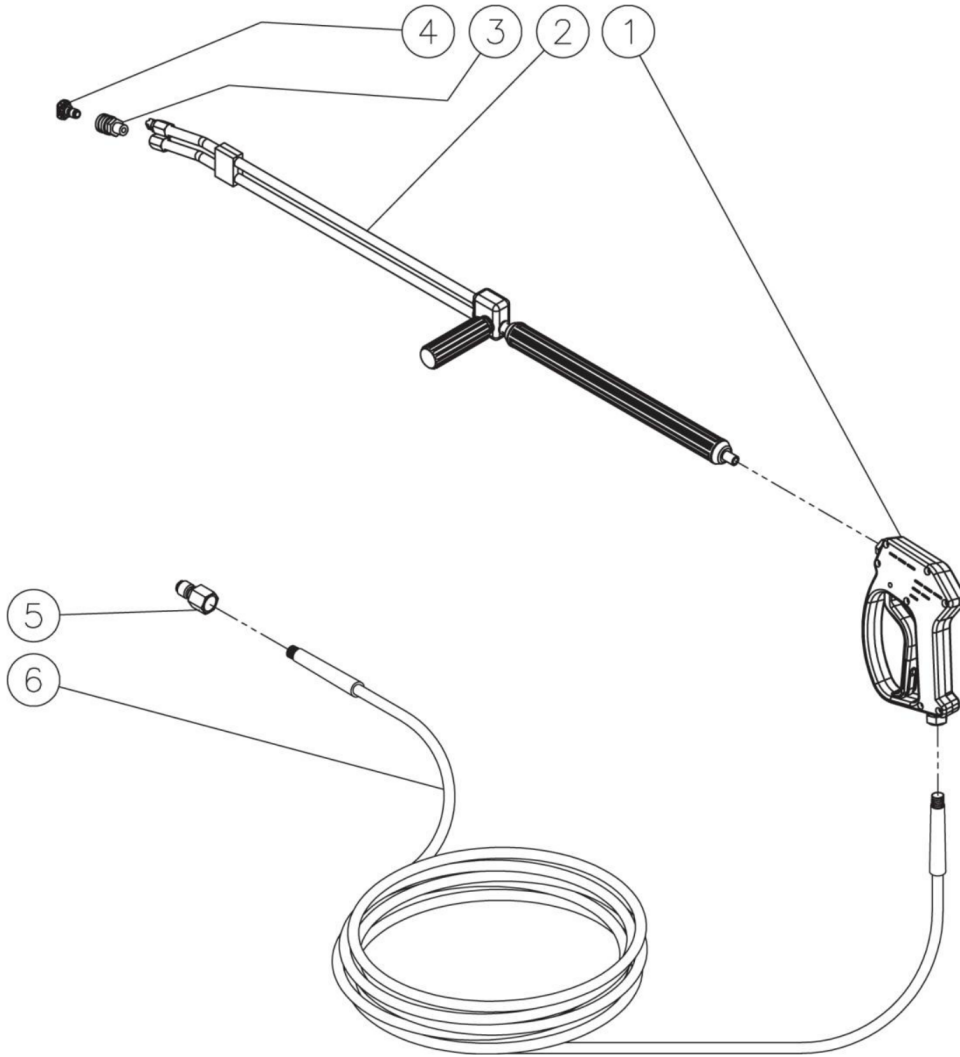
| Id | Item #   | Description                | Quantity | Rev | Comments |
|----|----------|----------------------------|----------|-----|----------|
| 1  | 22-0171  | PRESSURE SWITCH- 15 BAR    | 1        |     |          |
| 1  | 22-0243  | PRESSURE SWITCH- 25 BAR    | 1        |     |          |
| 2  | N/A      | SCREW                      | 4        |     |          |
| 3  | N/A      | COVER                      | 1        |     |          |
| 4  | N/A Sep. | O-RING (SEE 70-0306)       | 1        |     |          |
| 5  | N/A      | MICRO SWITCH               | 1        |     |          |
| 6  | N/A      | RETAINER CLIP              | 1        |     |          |
| 7  | N/A      | BODY                       | 1        |     |          |
| 8  | N/A Sep. | O-RING (SEE 70-0306)       | 2        |     |          |
| 9  | N/A Sep. | BACK-UP RING (SEE 70-0306) | 1        |     |          |
| 10 | N/A      | PISTON                     | 1        |     |          |
| 11 | N/A      | WASHER                     | 1        |     |          |
| 12 | 49-0144  | SPRING- 15 BAR             | 1        |     |          |
| 12 | 49-0145  | SPRING- 25 BAR             | 1        |     |          |
| 13 | N/A      | WASHER                     | 1        |     |          |
| 14 | N/A      | PLASTIC HOUSING            | 1        |     |          |

| <b>Id</b> | <b>Item #</b> | <b>Description</b>                  | <b>Quantity</b> | <b>Rev</b> | <b>Comments</b> |
|-----------|---------------|-------------------------------------|-----------------|------------|-----------------|
| 15        | N/A Sep.      | O-RING (SEE 70-0306)                | 1               |            |                 |
| 16        | N/A           | NUT- 15 BAR                         | 1               |            |                 |
| 16        | N/A           | NUT- 25 BAR                         | 1               |            |                 |
| 17        | N/A           | WIRE ASSEMBLY                       | 1               |            |                 |
| KIT       | 70-0306       | O-RING REPAIR KIT (INC. 4, 8-9, 15) |                 |            |                 |



HDC-3505-0H6G / HDC-3505-0H6G (sn:0-99999999)

## GUN/WAND/HOSE ASSEMBLY



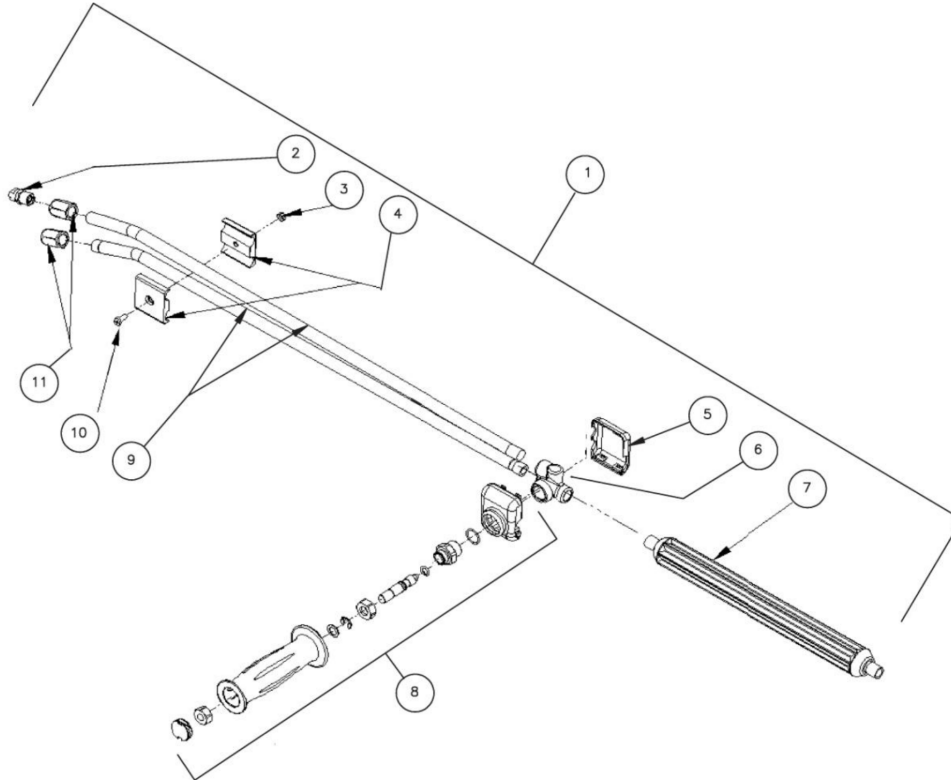
| Id | Item #  | Description             | Quantity | Rev | Comments |
|----|---------|-------------------------|----------|-----|----------|
| 1  | 16-0446 | GUN ASSEMBLY            | 1        |     |          |
| 2  | 16-0417 | DUAL LANCE              | 1        |     |          |
| 3  | 17-0028 | QUICK CONNECT SOCKET    | 1        |     |          |
| 4  | 18-0028 | NOZZLE- 0004 (HDC-4004) | 1        |     |          |
| 4  | 18-0029 | NOZZLE- 1504 (HDC-4004) | 1        |     |          |
| 4  | 18-0030 | NOZZLE- 2504 (HDC-4004) | 1        |     |          |
| 4  | 18-0031 | NOZZLE- 4004 (HDC-4004) | 1        |     |          |
| 4  | 18-0003 | NOZZLE- 0005 (HDC-3505) | 1        |     |          |

| <b>Id</b> | <b>Item #</b> | <b>Description</b>          | <b>Quantity</b> | <b>Rev</b> | <b>Comments</b> |
|-----------|---------------|-----------------------------|-----------------|------------|-----------------|
| 4         | 18-0004       | NOZZLE- 1505 (HDC-3505)     | 1               |            |                 |
| 4         | 18-0153       | NOZZLE- 2505 (HDC-3505)     | 1               |            |                 |
| 4         | 18-0180       | NOZZLE- 4005 (HDC-3505)     | 1               |            |                 |
| 4         | 18-0035       | NOZZLE- 0005.5 (HDC-3005)   | 1               |            |                 |
| 4         | 18-0041       | NOZZLE- 1505.5 (HDC-3005)   | 1               |            |                 |
| 4         | 18-0062       | NOZZLE- 2505.5 (HDC-3005)   | 1               |            |                 |
| 4         | 18-0132       | NOZZLE- 4005.5 (HDC-3005)   | 1               |            |                 |
| 5         | 17-0006       | QUICK CONNECT PLUG          | 1               |            |                 |
| 6         | 15-0166       | HIGH PRESSURE HOSE ASSEMBLY | 1               |            |                 |



HDC-3505-0H6G / HDC-3505-0H6G (sn:0-99999999)

## DUAL LANCE ASSEMBLY



| Id | Item #   | Description                                | Quantity | Rev | Comments |
|----|----------|--|----------|-----|----------|
| 1  | 16-0416  | DUAL LANCE ASSEMBLY - 36" (INC. 2-11)      | 1        |     |          |
| 1  | 16-0417  | DUAL LANCE ASSEMBLY - 48" (INC. 2-11)      | 1        |     |          |
| 2  | 18-0110  | DETERGENT NOZZLE                           | 1        |     |          |
| 3  | 30-6001  | NUT  | 1        |     |          |
| 4  | 16-0420  | CLAMP                                      | 2        |     |          |
| 5  | N/A Sep. | LOWER VALVE COVER (SEE 16-0416 OR 16-0417) | 1        |     |          |
| 6  | N/A Sep. | HOUSING (SEE 16-0416 OR 16-0417)           | 1        |     |          |
| 7  | 16-0419  | LANCE                                      | 1        |     |          |
| 8  | 70-0419  | HANDLE REPAIR KIT                          | 1        |     |          |
| 9  | N/A Sep. | LANCE (SEE 16-0416)                        | 2        |     |          |
| 9  | N/A Sep. | LANCE (SEE 16-0417)                        | 2        |     |          |
| 10 | 27-8196  | SCREW                                      | 1        |     |          |

| Id | Item #  | Description    | Quantity | Rev | Comments |
|----|---------|----------------|----------|-----|----------|
| 11 | 24-0280 | NOZZLE ADAPTER | 2        |     |          |