

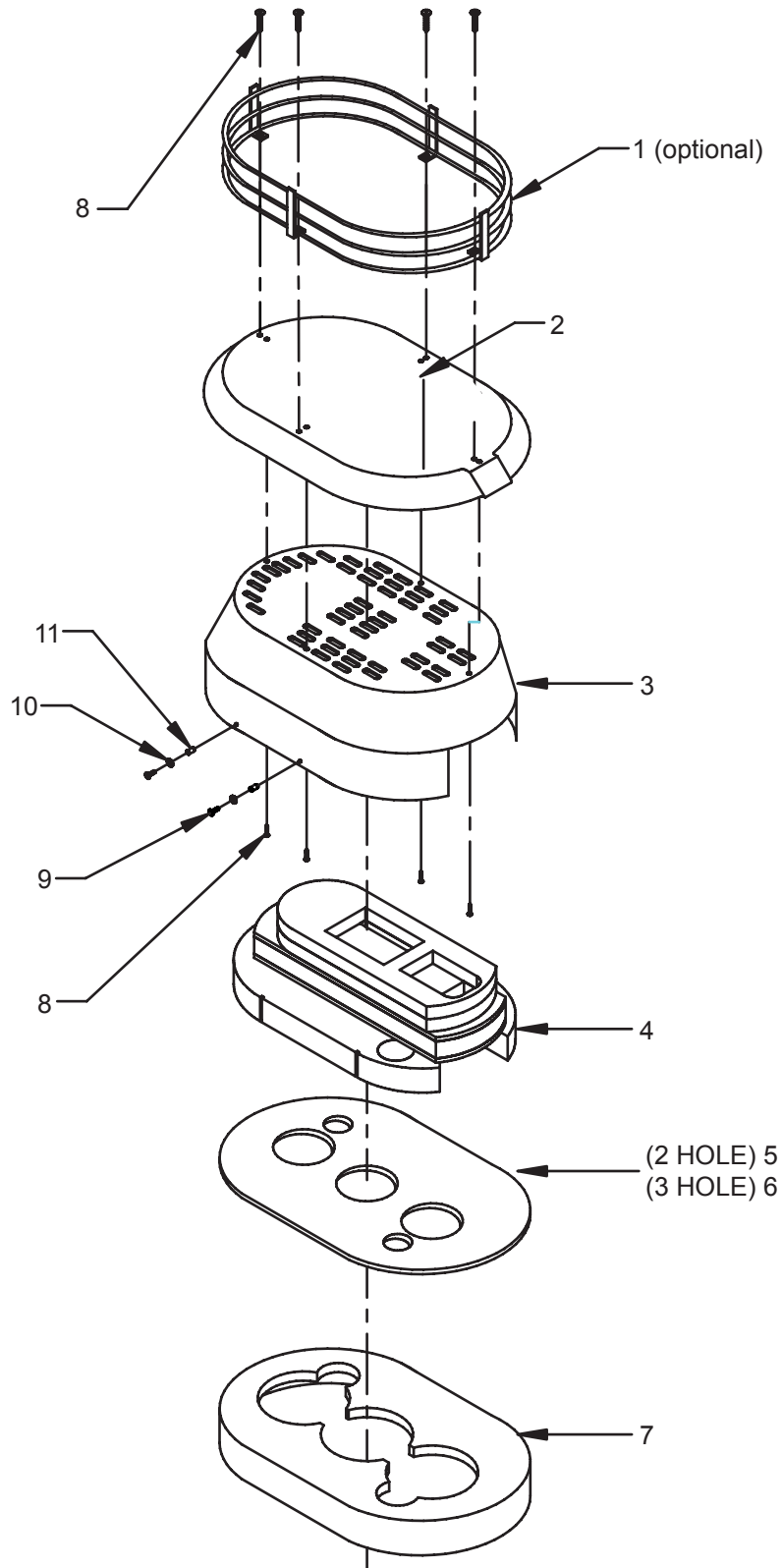
Parts List Manual

VAC-290



Manual - Portable

ILLUSTRATION #1 : SILENCER w/RAIN GUARD & TOOL CADDIE ASSEMBLY

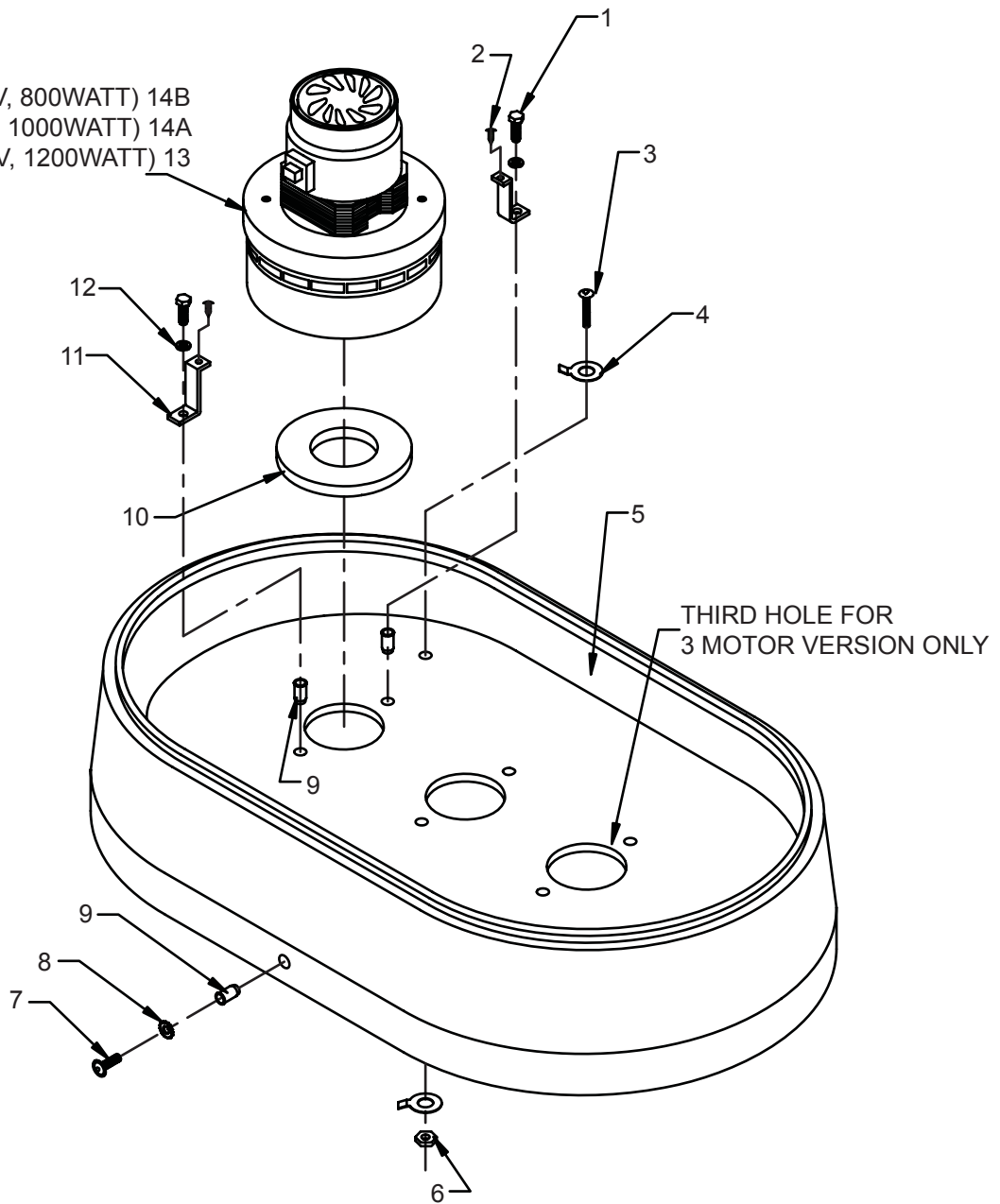


**PARTS LISTING - ILLUSTRATION #1 : SILENCER w/RAIN GUARD & TOOL
CADDIE ASSEMBLY**

| ITEM # | PART # | DESCRIPTION | QTY |
|--------|-----------|---------------------------------|-----|
| 1 | ED25175 | TOOL BASKET (optional) | 1 |
| 2 | ED32986 | RAIN GUARD | 1 |
| 3 | ED34980 | SILENCER HOOD | 1 |
| 4 | ED34982 | SILENCER FOAM ASSEMBLY | 1 |
| 5 | ED34985 | AIR CHANNEL PLATE, 2 MOTOR | 1 |
| 6 | ED34986 | AIR CHANNEL PLATE, 3 MOTOR | 1 |
| 7 | ED34984 | FOAM ASSEMBLY FOR MOTORS, LOWER | 1 |
| 8 | ED25064 | #8 X 5/8 PHIL PAN HEAD, ZINC | 8 |
| 9 | ED3481701 | M6X25 ALLEN HEAD SCREW | 4 |
| 10 | ED25000 | 1/4" STAR WASHER, EXTERNAL | 4 |
| 11 | ED34817A | M6 BLIND PEM | 4 |

ILLUSTRATION #2 : MOTOR ASSEMBLY

WS 2320 (120V, 800WATT) 14B
WS 2220 (120V, 1000WATT) 14A
WS 2220, WS 2320 (240V, 1200WATT) 13



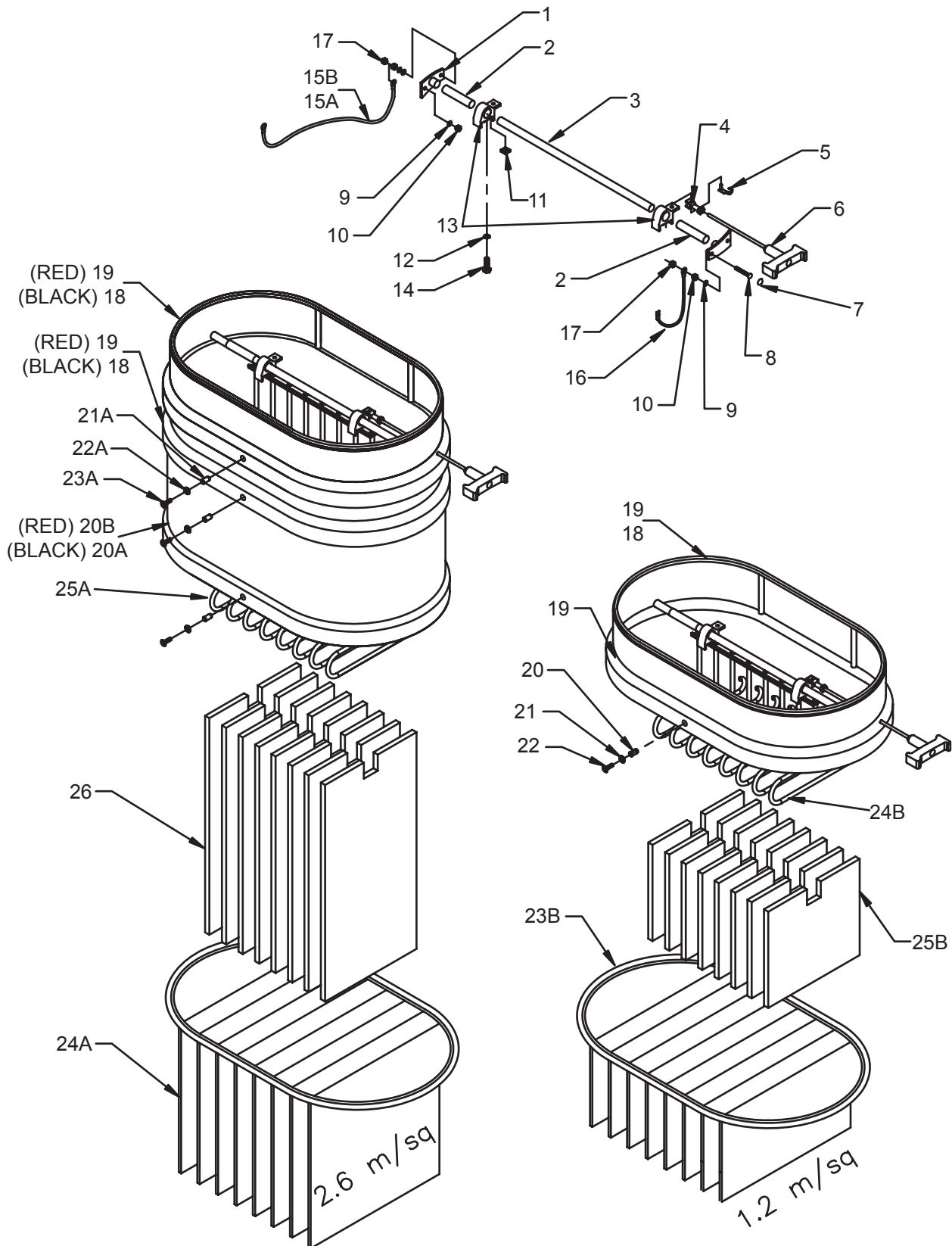
PARTS LISTING - ILLUSTRATION #2 : WS2220 120V, 240V MOTOR ASSEMBLY

| ITEM # | PART # | DESCRIPTION | QTY |
|--------|-------------|-------------------------------|-----|
| 1 | ED34854 | M6X25 HEX CAP | 4 |
| 2 | ED27012 | #8 X 1/2" PHIL PAN HEAD, ZINC | 4 |
| 3 | ED34817 | M6 X 20 ULS ALLEN HEAD SCREW | 1 |
| 4 | ED34998 | GROUND CONNECTION, FOR BOLT | 2 |
| 5 | ED34983 | WS MOTOR DECK | 1 |
| 6 | ED34876 | M6 LOCK NUT, ZINC | 1 |
| 7 | ED3481701 | M6X25 ALLEN HEAD SCREW | 2 |
| 8 | ED25000 | 1/4" STAR WASHER, EXTERNAL | 2 |
| 9 | ED34817A | M6 BLIND PEM | 6 |
| 10 | ED2509811 | NEOPRENE SPONGE GASKET | 2 |
| 11 | ED34826 | MOTOR HOLD DOWN BRACKET, WS | 4 |
| 12 | ED20039 | M6 SPLIT LOCK WASHER | 4 |
| 13 | ED116549-13 | MOTOR, 240V, 1200 WATT | 2 |
| 14A | ED27002 | MOTOR, 120V, 1000 WATT | 2 |

PARTS LISTING - ILLUSTRATION #2 : WS2320 120V, 240V MOTOR ASSEMBLY

| ITEM # | PART # | DESCRIPTION | QTY |
|--------|-------------|-------------------------------|-----|
| 1 | ED34854 | M6X25 HEX CAP | 6 |
| 2 | ED27012 | #8 X 1/2" PHIL PAN HEAD, ZINC | 6 |
| 3 | ED34817 | M6 X 20 ULS ALLEN HEAD SCREW | 1 |
| 4 | ED34998 | GROUND CONNECTION, FOR BOLT | 2 |
| 5 | ED34983 | WS MOTOR DECK | 1 |
| 6 | ED34876 | M6 LOCK NUT, ZINC | 1 |
| 7 | ED3481701 | M6X25 ALLEN HEAD SCREW | 2 |
| 8 | ED25000 | 1/4" STAR WASHER, EXTERNAL | 2 |
| 9 | ED34817A | M6 BLIND PEM | 8 |
| 10 | ED2509811 | NEOPRENE SPONGE GASKET | 3 |
| 11 | ED34826 | MOTOR HOLD DOWN BRACKET, WS | 6 |
| 12 | ED20039 | M6 SPLIT LOCK WASHER | 6 |
| 13 | ED116549-13 | MOTOR, 240V, 1200 WATT | 3 |
| 14B | ED119514 | MOTOR, 120V, 800 WATT | 3 |

ILLUSTRATION #3 : FILTER ASSEMBLIES 1.2 & 2.6 sq/m



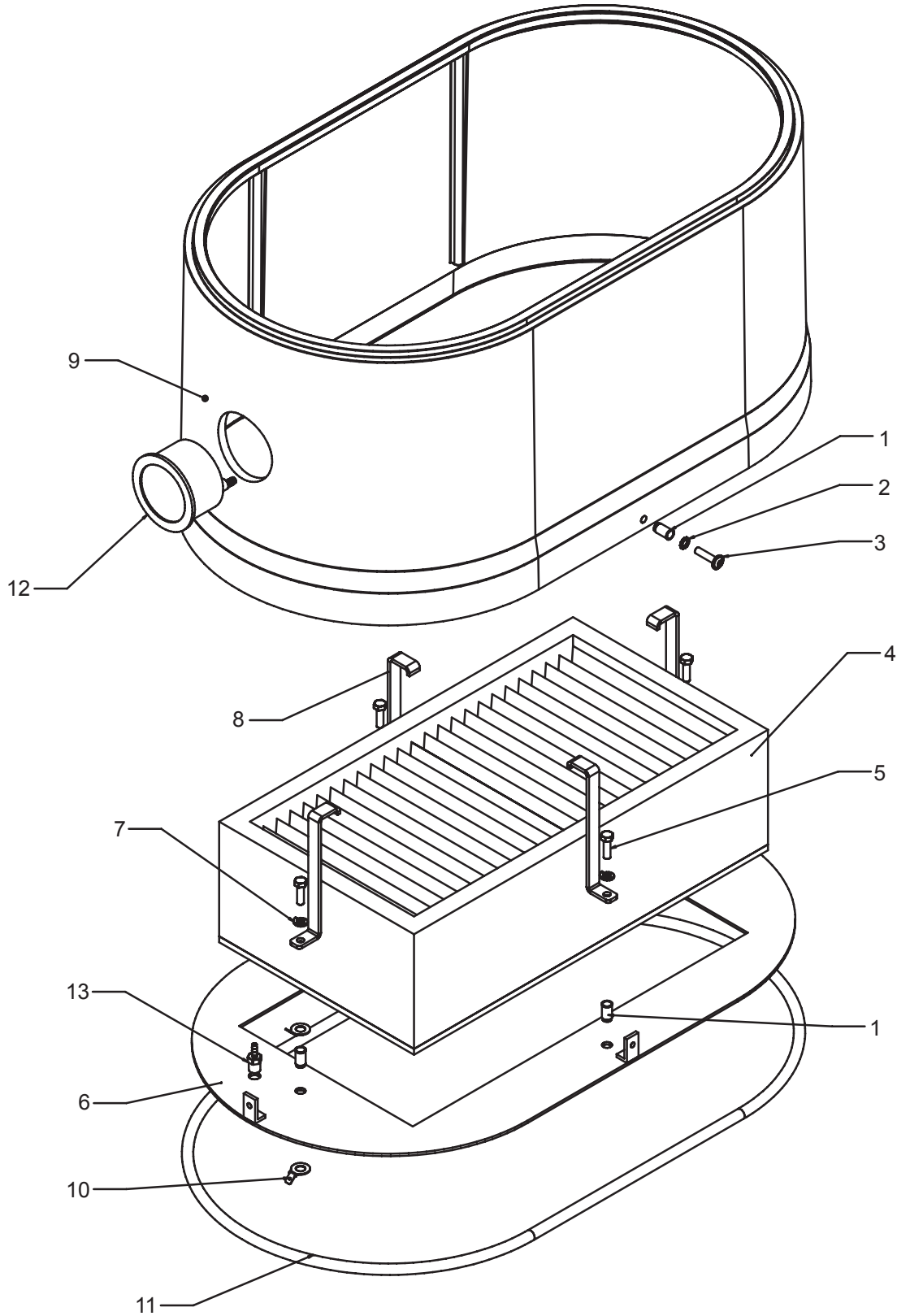
PARTS LISTING - ILLUSTRATION #3 : 1.2 FILTER ASSEMBLY

| ITEM # | PART # | DESCRIPTION | QTY |
|--------|-----------|-----------------------------------|-----|
| 1 | ED34806 | 34806 SHAKER ROD MOUNTING SUPPORT | 2 |
| 2 | ED34805 | CLEAR HOSE, 3/4 ID | 2 |
| 3 | ED34804 | SLIDE BAR | 1 |
| 4 | ED25047 | STEEL YOKE END | 1 |
| 5 | ED34879 | SPRING CLIP, 6X12 | 1 |
| 6 | ED22565 | SHAKER BAR WITH SWIVEL HANDLE | 1 |
| 7 | ED34871 | PLASTIC PLUG 4.5/13 | 4 |
| 8 | ED34815 | M6 X 30 ALLEN SCREW COUNTER SUNK | 4 |
| 9 | ED20039 | M6 SPLIT LOCK WASHER | 4 |
| 10 | ED20040 | M6 HEX NUT | 4 |
| 11 | ED20045 | SQUARE NUT, 8MM, ZINC | 2 |
| 12 | ED20050 | M8 LOCK WASHER | 2 |
| 13 | ED34802 | SLIDE ASSEMBLY, W/HOOK | 2 |
| 14 | ED25038 | M8 HEX CAP-1.25X20 ZINC | 2 |
| 15B | ED34868 | GROUND, DEFLECTOR, 1.2 FILTER | 1 |
| 16 | ED34866 | GROUND, SHAKER TO MOTOR DECK | 1 |
| 17 | ED34876 | M6 LOCK NUT | 2 |
| 18 | ED32834 | HOUSING SPACER, SMALL, BLACK | 1 |
| 19 | ED34823 | HOUSING SPACER, SMALL, RED | 1 |
| 20 | ED34817A | M6 BLIND PEM | 2 |
| 21 | ED25000 | 1/4" STAR WASHER | 2 |
| 22 | ED3481701 | M6X25 ALLEN HEAD SCREW | 2 |
| 23B | ED20091 | FILTER, 13 SQ/FT, 1.2M2 | 1 |
| 24B | ED25056 | FILTER SHAKER INSERT, 1.2M | 1 |
| 25B | ED20091F | FILTER INSERT, 1.2M | 8 |

PARTS LISTING - ILLUSTRATION #3 : 2.6 FILTER ASSEMBLY

| ITEM # | PART # | DESCRIPTION | QTY |
|--------|-----------|---|-----|
| 1 | ED34806 | SHAKER ROD MOUNTING SUPPORT | 2 |
| 2 | ED34805 | CLEAR HOSE, 3/4 ID | 2 |
| 3 | ED34804 | SLIDE BAR | 1 |
| 4 | ED25047 | STEEL YOKE END | 1 |
| 5 | ED34879 | SPRING CLIP, 6X12 | 1 |
| 6 | ED22565 | SHAKER BAR WITH SWIVEL HANDLE | 1 |
| 7 | ED34871 | PLASTIC PLUG 4.5/13 | 4 |
| 8 | ED34815 | M6 X 30 ALLEN SCREW COUNTER SUNK | 4 |
| 9 | ED20039 | M6 SPLIT LOCK WASHER | 4 |
| 10 | ED20040 | M6 HEX NUT | 4 |
| 11 | ED20045 | SQUARE NUT, 8MM, ZINC | 2 |
| 12 | ED20050 | M8 LOCK WASHER | 2 |
| 13 | ED34802 | SLIDE ASSEMBLY, W/HOOK | 2 |
| 14 | ED25038 | M8 HEX CAP-1.25X20 ZINC | 2 |
| 15A | ED34869 | GROUND, DEFLECTOR, 2.6 FILTER, NO GROUND FOR BLACK MACHINES | 1 |
| 16 | ED34866 | GROUND, SHAKER TO MOTOR DECK, NO GROUND FOR BLACK MACHINES | 1 |
| 17 | ED34876 | M6 LOCK NUT | 2 |
| 18 | ED32834 | HOUSING SPACER, SMALL, BLACK | 2 |
| 19 | ED34823 | HOUSING SPACER, SMALL, RED | 2 |
| 20A | ED32835 | HOUSING SPACER, LARGE, BLACK | 1 |
| 20B | ED34820 | HOUSING SPACER, LARGE, RED | 1 |
| 21A | ED34817A | M6 BLIND PEM | 6 |
| 22A | ED25000 | 1/4" STAR WASHER | 6 |
| 23A | ED3481701 | M6X25 ALLEN HEAD SCREW | 6 |
| 24A | ED30091 | FILTER, 28 SQ/FT, 2.6 M2 | 1 |
| 25A | ED34807 | FILTER SHAKER INSERT, 2.6M | 1 |
| 26 | ED30091F | FILTER INSERT, 2.6M | 8 |

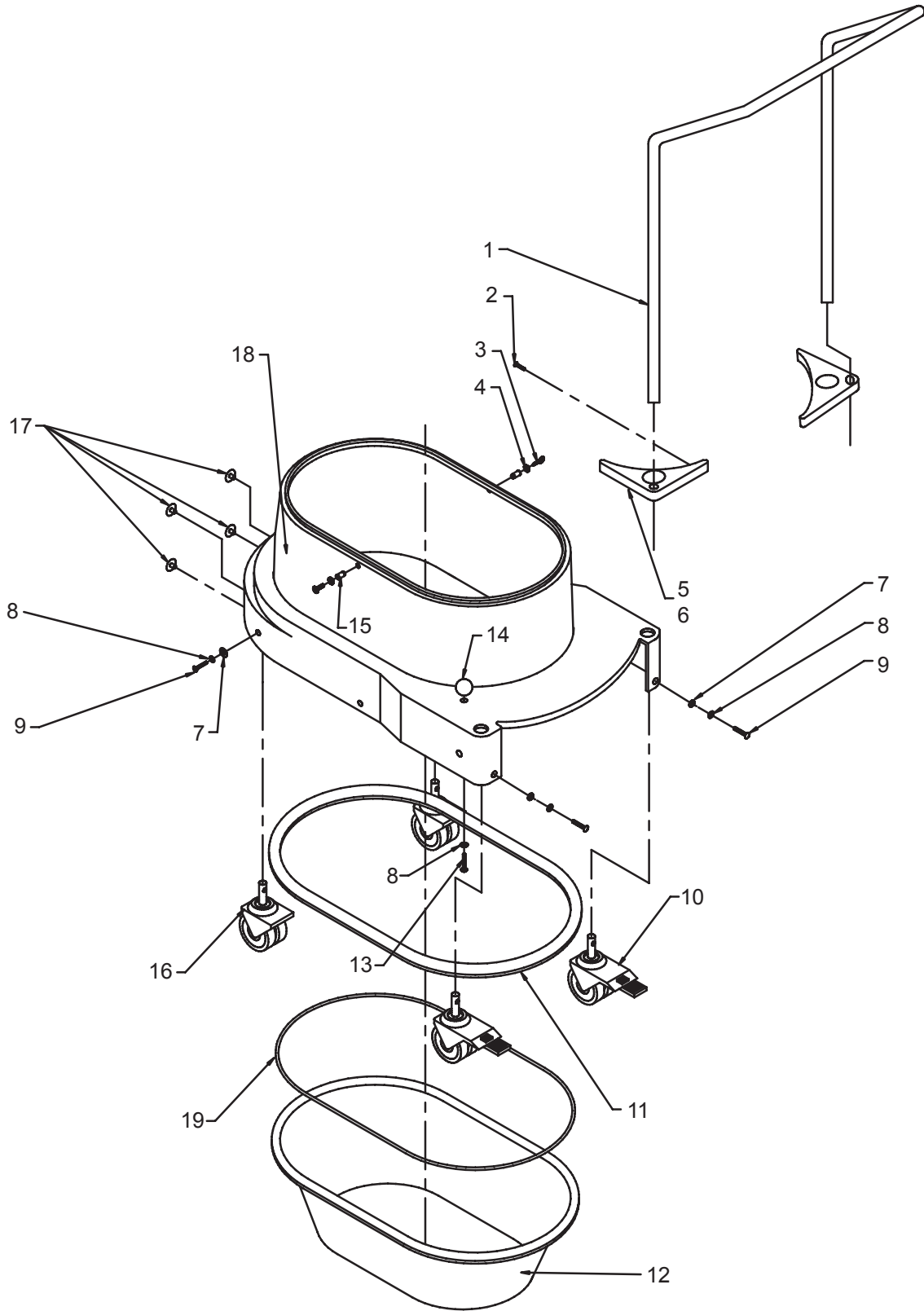
ILLUSTRATION #4 : HEPA FILTER & MINIHHELIC ASSEMBLY



PARTS LISTING - ILLUSTRATION #4 : HEPA FILTER & MINIHELIC ASSEMBLY

| ITEM # | PART # | DESCRIPTION | QTY |
|--------|-----------|---------------------------------|-----|
| 1 | ED34817A | M6 BLIND PEM | 6 |
| 2 | ED25000 | 1/4" STAR WASHER, EXTERNAL | 2 |
| 3 | ED3481701 | M6X25 ALLEN HEAD SCREW | 2 |
| 4 | ED35211 | HEPA FILTER 40 SQ FOOT, WS, DS1 | 1 |
| 5 | ED32903 | M6X1.0 X 20 HEX CAP SCREW, ZINC | 4 |
| 6 | ED34947 | HEPA ADAPTER PLATE, DS1 | 1 |
| 7 | ED20039 | M6 SPLIT LOCK WASHER | 4 |
| 8 | ED34949 | HEPA HOLD DOWN BRACKET | 4 |
| 9 | ED34820 | HOUSING SPACER, LARGE, RED | 1 |
| 10 | ED34998 | GROUND CONNECTION, FOR BOLT | 2 |
| 11 | ED25098 | GASKET, ROUND, 10MM | 1 |
| 12 | ED25143 | MINIHELIC, WITH MOUNTING | 1 |
| 13 | ED25149 | HOSE BARB , 1/8 NPT X 1/8 BARB | 1 |
| 14 | ED34800 | CLEAR HOSE, 1/8" ID 0.5 | 0.5 |

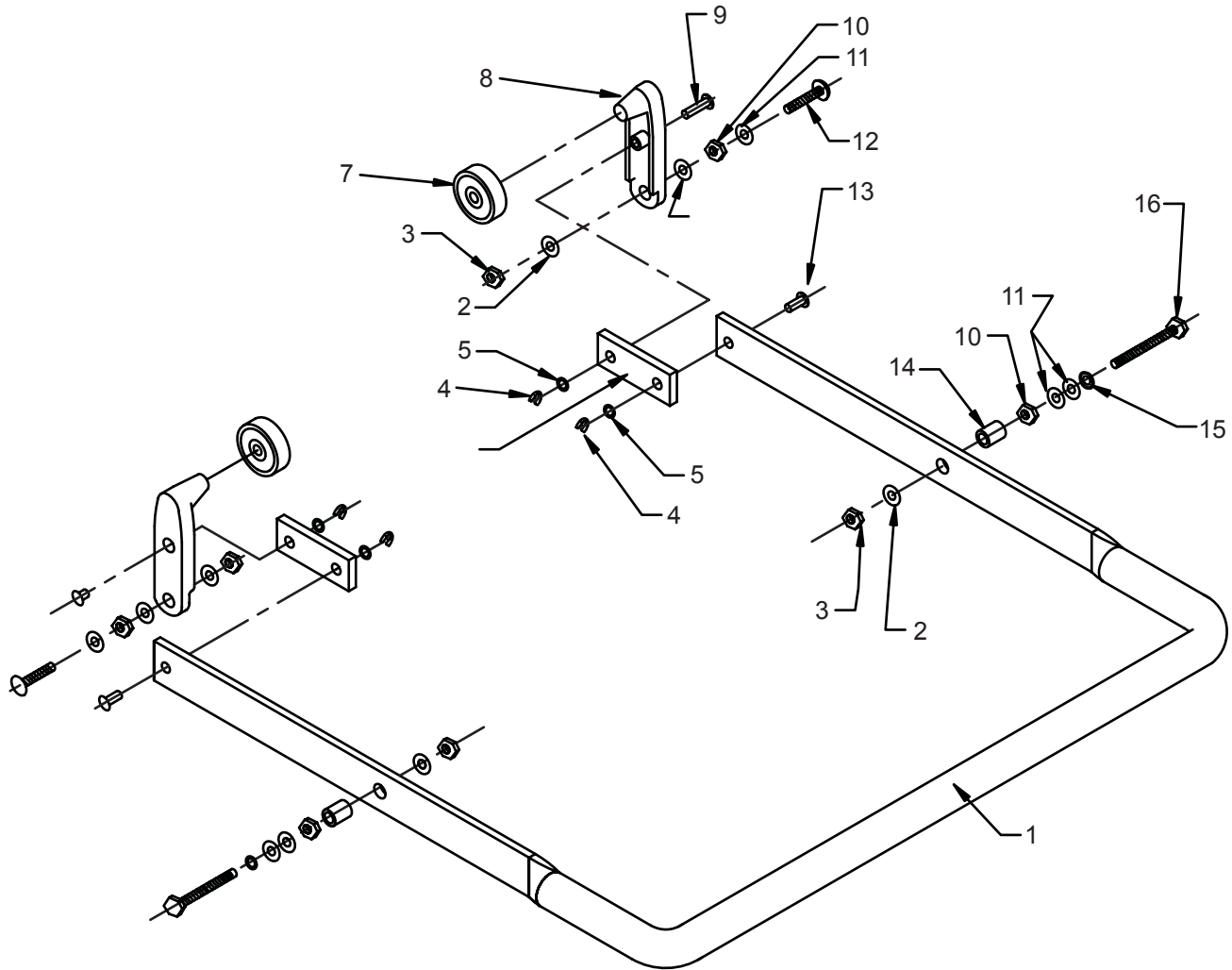
ILLUSTRATION #5 : BASE ASSEMBLY



PARTS LISTING - ILLUSTRATION #5 : BASE ASSEMBLY

| ITEM # | PART # | DESCRIPTION | QTY |
|--------|-----------|---|-----|
| 1 | ED25080 | PUSH HANDLE | 1 |
| 2 | ED32988 | #8 X 1 PHIL TRUSS HEAD, ZINC | 4 |
| 3 | ED3481701 | M6X25 ALLEN HEAD SCREW | 2 |
| 4 | ED25000 | 1/4" STAR WASHER | 2 |
| 5 | ED32039 | HANDLE SUPPORT, PLASTIC | 2 |
| 6 | ED34809 | HANDLE SUPPORT, ALUMINUM | 2 |
| 7 | ED34882 | M8 FLAT WASHER | 4 |
| 8 | ED25037 | M8 WASHER | 5 |
| 9 | ED25054 | M8 X 25 HEX BOLT | 4 |
| 10 | ED25085 | DUAL CASTERS, FIXED, 75MM, W/STUD | 2 |
| 11 | ED20070 | GASKET, DUST PAN/LOWER HOUSING, 20X15MM | 1 |
| 12 | ED34813 | DUST PAN, 35LTR, RED | 1 |
| 13 | ED25038 | M8 HEX CAP-1.25X20 ZINC | 1 |
| 14 | ED25060 | KNOB, BLACK, 8MM | 1 |
| 15 | ED34817A | M6 BLIND PEM | 2 |
| 16 | ED25084 | DOUBLE CASTERS, SWIVEL, 75MM | 2 |
| 17 | ED22120 | PLUG, 8MM, BLACK | 4 |
| 18 | ED34808 | LOWER HOUSING, RED | 1 |
| 19 | ED2509865 | DUST PAN REPLACEMENT GASKET | 1 |

ILLUSTRATION #6 : DUST PAN LEVER ASSEMBLY

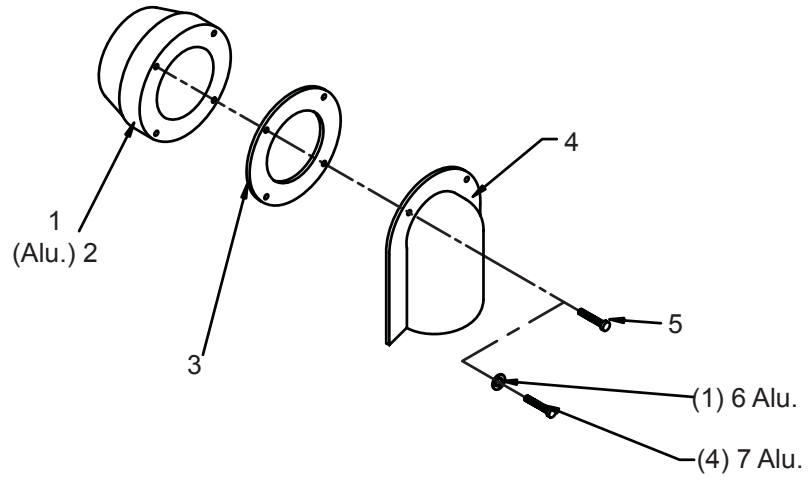


PARTS LISTING - ILLUSTRATION #6 : DUST PAN LEVER ASSEMBLY

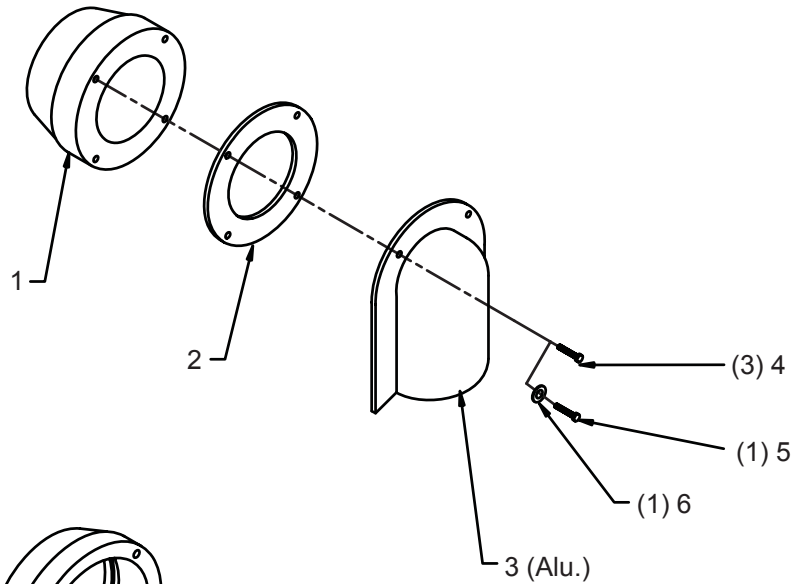
| ITEM # | PART # | DESCRIPTION | QTY |
|--------|---------|------------------------|-----|
| 1 | ED20010 | FOOT LEVER | 1 |
| 2 | ED25061 | M8 FLAT WASHER, ZINC | 6 |
| 3 | ED30029 | M8 LOCK NUT | 4 |
| 4 | ED34923 | C SPRING CLIP | 4 |
| 5 | ED25067 | M6 FLAT WASHER | 4 |
| 6 | ED20027 | FLAT STEEL PIVOT | 2 |
| 7 | ED34853 | DUST PAN LEVER BEARING | 2 |
| 8 | ED34852 | DUST PAN TENSION LEVER | 2 |
| 9 | ED34922 | PIN,D=6X 19MM | 2 |
| 10 | ED20044 | M8 HEX NUT -8 | 4 |
| 11 | ED34882 | M8 FLAT WASHER | 6 |
| 12 | ED25053 | M8 X 35 CARRIAGE SCREW | 2 |
| 13 | ED34921 | PIN D6X15 | 2 |
| 14 | ED34812 | SPACER FOR FOOT LEVER | 2 |
| 15 | ED25037 | M8 WASHER, EXTERNAL | 2 |
| 16 | ED34811 | M8 HEX BOLT, X 55-8.8 | 2 |

ILLUSTRATION #7 : 50mm, 70mm & 100mm INLET ASSEMBLY

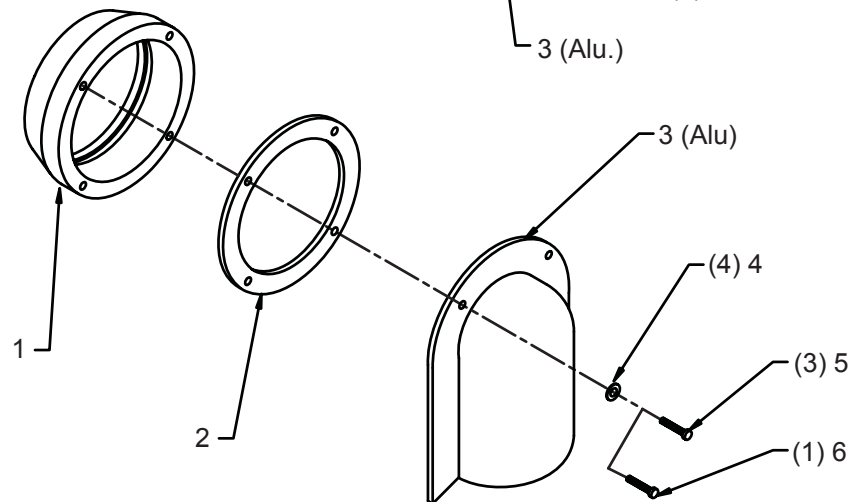
50mm



70mm



100mm



PARTS LISTING - ILLUSTRATION #7 : 50mm INLET ASSEMBLY

| ITEM # | PART # | DESCRIPTION | QTY |
|--------|---------|--------------------------------|-----|
| 1 | ED31963 | INLET, 50MM, GFK BLACK PLASTIC | 1 |
| 2 | ED20006 | INLET, 50MM, ALUMINUM | 1 |
| 3 | ED34870 | GASKET 50MM INLET | 1 |
| 4 | ED20021 | INLET DEFLECTOR, 50MM, METAL | 1 |
| 5 | ED32988 | #8 X 1 PHIL TRUSS HEAD, ZINC | 4 |
| 6 | ED20025 | WASHER, STAR LOCKING, M4 | 1 |
| 7 | ED25057 | M4X20 SOCKET SCREW CAP | 4 |

PARTS LISTING - ILLUSTRATION #7 : 70mm INLET ASSEMBLY

| ITEM # | PART # | DESCRIPTION | QTY |
|--------|---------|-------------------------------------|-----|
| 1 | ED30007 | INLET, 70MM, ALUMINUM | 1 |
| 2 | ED34821 | GASKET, 70MM INLET | 1 |
| 3 | ED30008 | DEFLECTOR, 70MM, ALUMINUM | 1 |
| 4 | ED32866 | M5-.8X30 SOCKET CAP, ALLEN HEAD | 3 |
| 5 | ED32863 | M5-.8X20 SOCKET CAP SCREW | 1 |
| 6 | ED32867 | 32867 M5 EXT TOOTH LOCK WASHER ZINC | 1 |

PARTS LISTING - ILLUSTRATION #7 : 100mm INLET ASSEMBLY

| ITEM # | PART # | DESCRIPTION | QTY |
|--------|---------|---------------------------------|-----|
| 1 | ED35188 | INLET, 100MM, ALUMINUM | 1 |
| 2 | ED34918 | GASKET, 100MM INLET | 1 |
| 3 | ED35189 | DEFLECTOR, 100MM, ALUMINUM | 1 |
| 4 | ED32867 | M5 EXT TOOTH LOCK WASHER ZINC | 4 |
| 5 | ED32866 | M5-.8X30 SOCKET CAP, ALLEN HEAD | 3 |
| 6 | ED32863 | M5-.8X20 SOCKET CAP SCREW | 1 |

PARTS LISTING - ILLUSTRATION #8 : 2 & 3 INCH HOSE & ADAPTORS

| ITEM # | PART # | DESCRIPTION | QTY |
|--------|--------------|--------------------------------------|-----|
| 1 | ED501425-CON | 2.00" x 25' w/(2) 2.00" rubber cuffs | 25' |
| 1 | ED701225 | 3.00" x 25' w/(2) 2.75" rubber cuffs | 25' |
| 2 | ED7018-BL | Hose Connector 3.00" | 1 |
| 3 | ED5220-BL | Hose Connector 2.00" | 1 |

