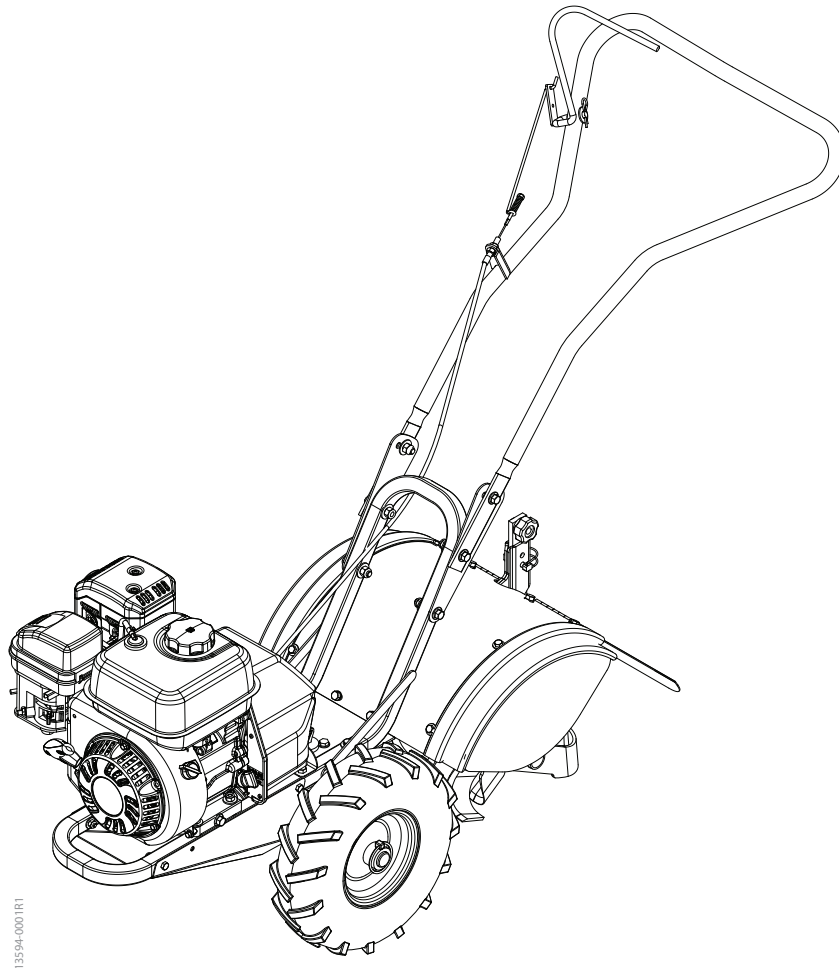

Earthquake®
POWERED CHORE EQUIPMENT

Operator's Manual

**Rototiller
6015V**

SN



**PRODUCT #: 6015V
196 CC VIPER ENGINE**

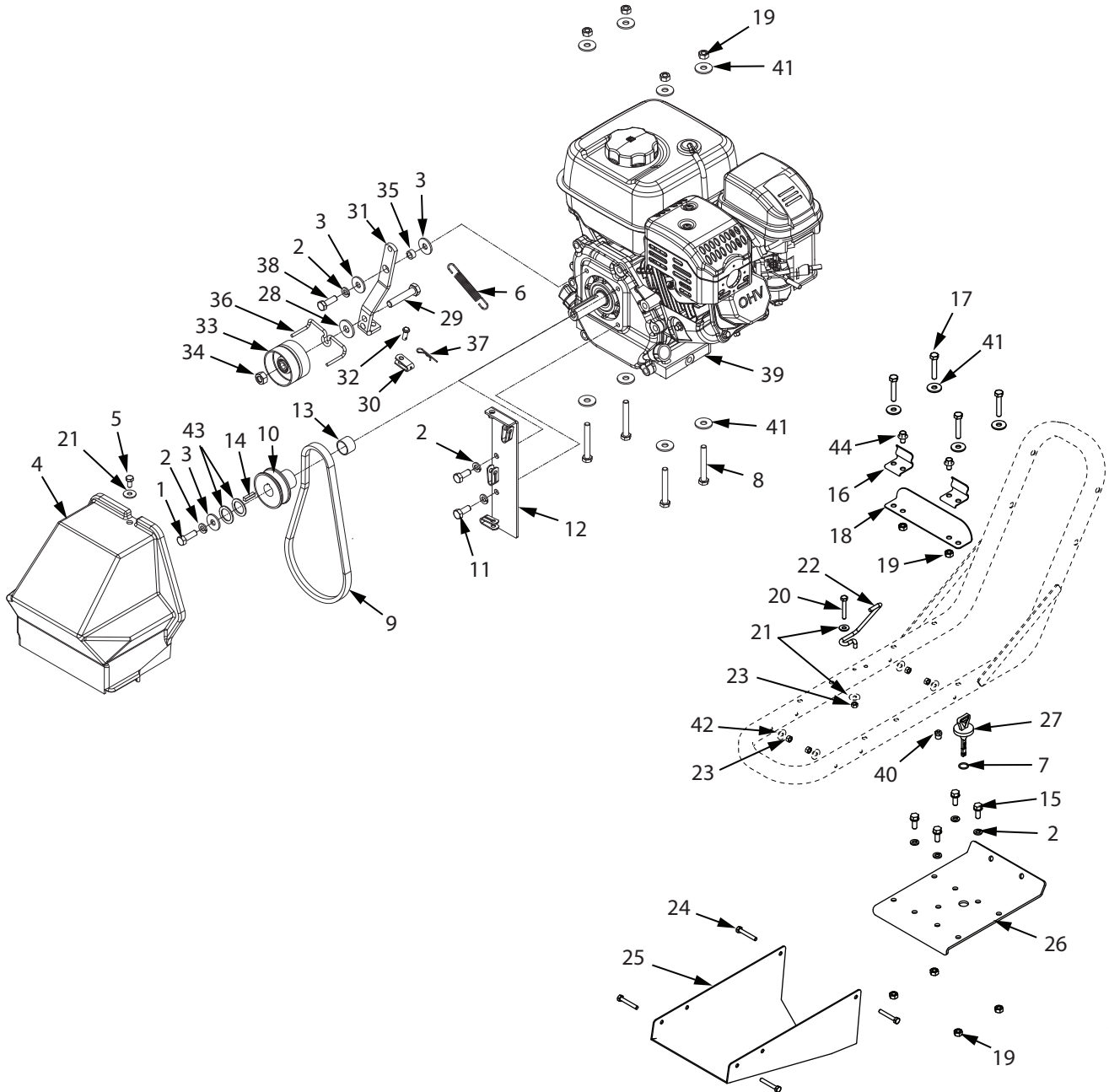


PN: 20845
ECN: 10569
REV1: 11/15/2014
© 2014 Ardisam, Inc.
All Rights Reserved

ILLUSTRATED PARTS BREAKDOWN - 6015 Handlebar Assembly

ITEM #	PART #	DESCRIPTION	QTY.
1	19867	HANDLE, ENGINE MOUNT WELDMENT	1
2	11509	BOLT (M10-1.5 X 45 MM HHFCS GR8.8 ZN)	4
3	W1265V0903	NUT (M10 X 1.5 HNYLK GR 8.8 ZN)	6
4	13285	PLATE, HANDLEBAR EXTENSION, ADJUSTABLE	2
5	19124	BOLT (M10 X 1.5 X 25 HHFCS)	2
6	20167	CABLE SHEATH, REAR TINE, (M6-M8 1016MM)	1
7	4620	NUT (M8 X 1.25 HJAM GR8.8 ZN)	2
8	53620	SPRING, COMPRESSION, FORWARD ARM	1
9	11393	NUT (M5-0.8 X 4.4 MM HNYLK ZN)	1
10	53613	LINK (9 1/2 IN LONG)	1
11	32621	LEVER, WELDMENT, FRONT TINE DRIVE, WIDE	1
12	20173	PIN, COTTER, HAIRPIN (2.5MM DIA. X 35MM)	1
13	31313	HANDLE BAR, WELDMENT, LOOP, REAR TINE	1
14	19905	WASHER M10 X 20MM X 2MM FLAT ZN	7
15	--	ZIP TIE	1

ILLUSTRATED PARTS BREAKDOWN - 6015 Engine and Mount



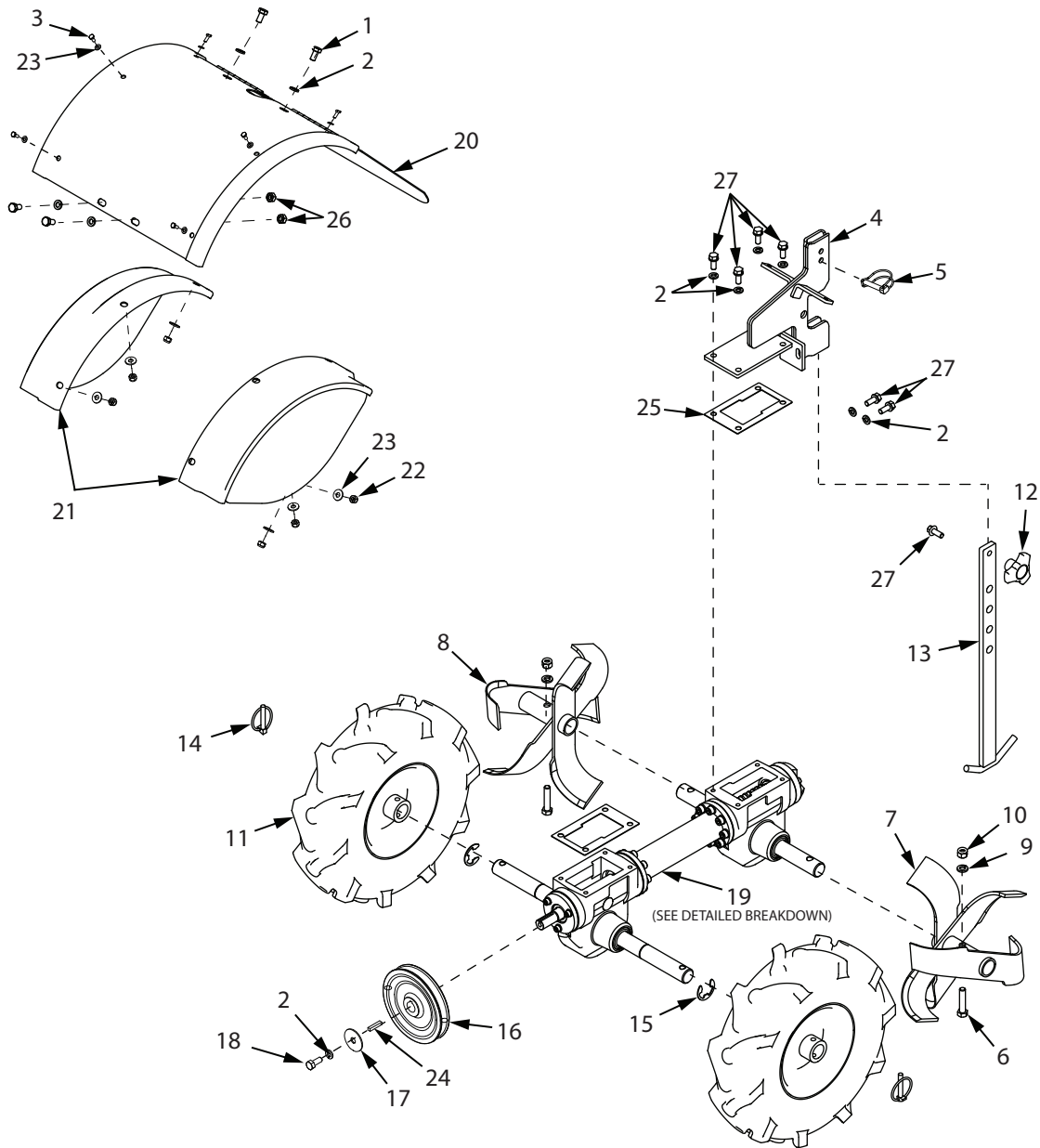
13594-0019R1

ILLUSTRATED PARTS BREAKDOWN - 6015 Engine and Mount

ITEM#	PART #	DESCRIPTION	QTY.
1	810	BOLT (5/16-24 X 1 HH GR5 ZN F-T)	1
2	W1200114	WASHER (M8 X 1.9 SPRLK BLK OX HIGH COLLAR)	8
3	3245	WASHER (M8 8.4MM X 24MM X 2.2MM ZN)	3
4	13453	GUARD ASSEMBLY, BELT WITH TAB	1
5	W1200115	BOLT (M6 X 1 X 12 HHCS GR8.8 ZN F-T)	1
6	1407	SPRING FORWARD ARM	1
7	20407	ORING (14MM ID X 1.8MM)	1
8	20144	BOLT (M8 X 1.25 X 60 HHCS GR 8.8 ZN F-T)	4
9	31315	BELT, DRIVE (26IN 4LXA POWER RATED)	1
10	3178	PULLEY, SINGLE GROOVE ENGINE	1
11	W1265V0904	BOLT (M8 X 1.25 X 20 HHCS ZN GR8.8)	2
12	19869	PLATE , WELDMENT CABLE PULL NP	1
13	19859	SPACER, DRIVE PULLEY (15.8MM)	1
14	20176	KEY, SQUARE (4.8MM X 20MM)	1
15	19945	BOLT M8 X 1.25 X 20 HHFCS GR8.8 ZN	4
16	53618	CLIP, BELT GUARD TILLER (DEC 2005)	2
17	18098	BOLT (M8 X 1.25 X 45 HH GR 8.8 ZN)	4
18	31306	TAB, BELT GUARD SUPPORT SMALL REARTINE	1
19	W1265V0900	NUT (M8 X 1.25 HNYLK GR8.8 ZN)	10
20	11946	BOLT (M6 X 1.0 X 45 HHCS GR8.8 ZN)	1
21	20148	WASHER (M6 X 18 X 1.6 FLAT ZN)	3
22	19895	GUIDE BELT WIRE FORM REAR TINE NP	1
23	W1265V0913	NUT (M6 X 1.0 HNYLK GR8.8 ZN)	5
24	18103	BOLT (M6 X 1.0 X 40 HH GR 8.8 ZN)	4

ITEM#	PART #	DESCRIPTION	QTY.
25	20320	PAN, LOWER NP	1
26	19865	PLATE, TRANNY COVER HOOD MOUNT NP	1
27	53413	DIPSTICK, REAR TINE TRANSMISSION	1
28	19905	WASHER (M10 X 20MM X 2MM FLAT ZN)	1
29	20145	BOLT (M10 X 1.5 X 50 HHCS GR 8.8 ZN P-T)	1
30	53596B	CLEVIS, YOKE ZINC PLATED	1
31	53617	ARM, FORWARD REAR TINE	1
32	1416	PIN, CLEVIS (6.3 X 16.8 MM)	1
33	13364	PULLEY, FORWARD IDLER (10MM ID)	1
34	W1265V0903	NUT (M10 X 1.5 HNYLK GR 8.8 ZN)	1
35	53637	BUSHING (8.3 MM X 12.4 MM 6.7 MM THK)	1
36	739	BELT, REVERSE GUIDE	1
37	1418	PIN, COTTER (5/64 X 1/2 EXTENDED PRONG ZN)	1
38	13826	BOLT M8 X 1.25 X 25 HHCS GR8.8 ZN F-T	1
39	---	ENGINE HORIZ. SHAFT 196CC VIPER	1
40	20110	VENT, BREATHER (M12 X 1.5)	1
41	20143	WASHER (M8 X 16 X 1.6 FLAT ZN)	12
42	20141	WASHER (M6 X 12 X 1.6 FLAT ZN)	4
43	20352	SHIM (28 MM X 19.2 MM X 1.5 MM)	2
44	4711	BOLT M8 X 1.25 X 12MM HHF YZN	2

ILLUSTRATED PARTS BREAKDOWN - 6015 Transmission, Tines, & Hood

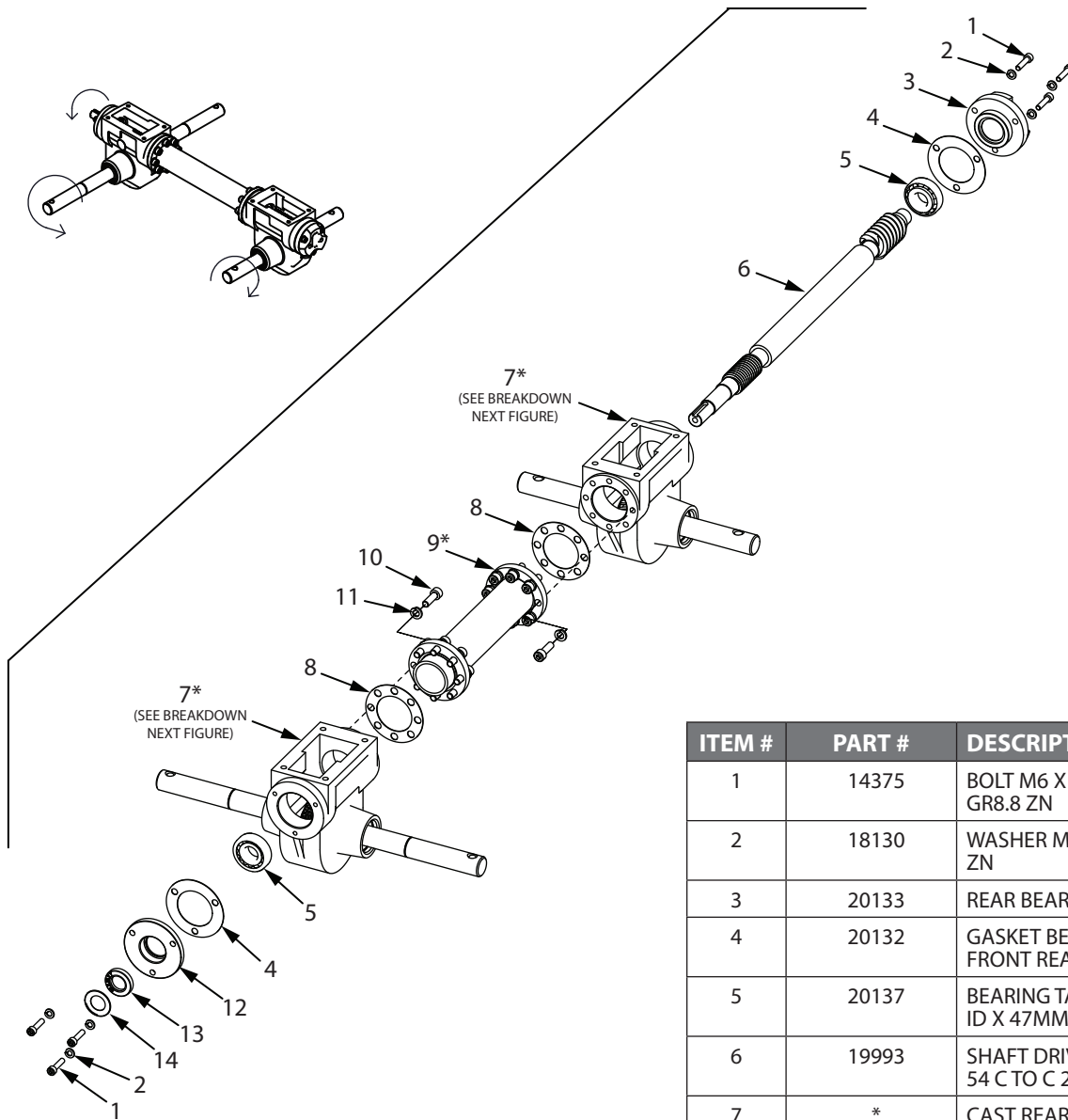


20845-0001R1

ILLUSTRATED PARTS BREAKDOWN - 6015 Transmission, Tines, & Hood

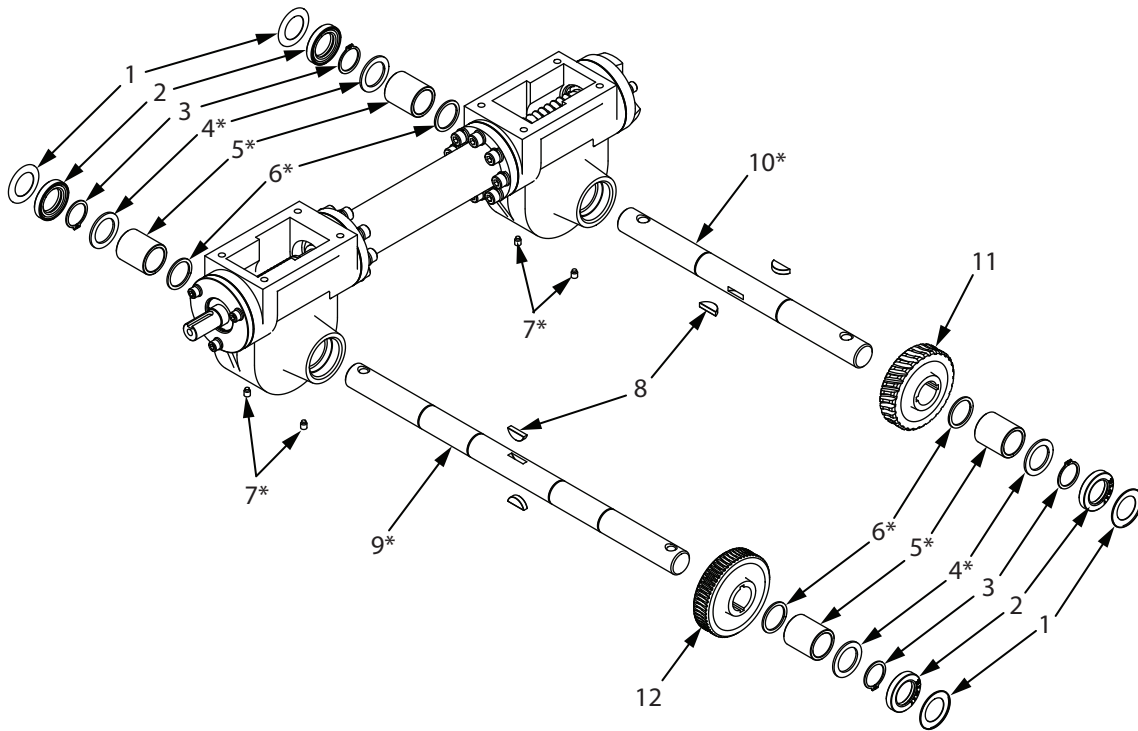
ITEM#	PART #	DESCRIPTION	QTY.
1	20150	BOLT M8 X 1.25 X 15 HHCS GR8.8 ZN	4
2	W1200114	WASHER (M8 X 1.9 SPRLK BLK OX HIGH COLLAR)	11
3	W1200115	BOLT M6 X 1 X 12 HHCS GR8.8 ZN F-T	6
4	20003	WELDMENT TAIL MOUNT REAR TINE NP	1
5	18039	PIN LOCK 8MM X 40MM PIPE SAFETY PIN	1
6	11509	BOLT M10-1.5 X 45 MM HHFCS GR8.8 ZN	2
7	1900LCRT	TINE SET ASSEMBLY LS-CRT RS-SRT	1
8	1900RCRT	TINE SET ASSEMBLY RS CRT LS SRT	1
9	W1200119	WASHER M10 X 2 THK SPRLK ZN HIGH COLLAR	2
10	W1265V0903	NUT M10 X 1.5 HNYLK GR 8.8 ZN	2
11	20967	TIRE, WHEEL ASSEMBLY (GREY 10 LUG 12 DEEP)	2
12	13601	KNOB M8 BLACK THREE STAR	1
13	53655	WELDMENT DRAG STAKE CRT TILLER DEC 2005	1
14	20109	LOCK PIN 7 MM X 44 MM	2
15	20138	SNAP RING 25MM EXTERNAL	2
16	20108	PULLEY TRANNY SINGLE GROOVE 127MM 4L	1
17	3245	WASHER M8 8.4MM X 24MM X 2.2MM ZN	1
18	W1265V0904	BOLT M8 X 1.25 X 20 HHCS ZN GR8.8	1
19	20111	TRANSMISSION CRT SHORT	1
20	19896	WELDMENT HOOD WITH EXTENSION HOLES NP	1
21	19892	WELDMENT SIDE SHIELD NP	2
22	W1265V0913	NUT M6 X 1.0 HNYLK GR8.8 ZN	6
23	20141	WASHER M6 X 12 X 1.6 FLAT ZN	12
24	20197	KEY SQUARE 6MM X 20MM	1
25	19864	GASKET TILLER TRANSMISSION COVER NP	2
26	W1265V0900	NUT M8 X 1.25 HNYLK GR8.8 ZN	2
27	19945	BOLT M8 X 1.25 X 20 HHFCS GR8.8 ZN	7

ILLUSTRATED PARTS BREAKDOWN 6015 - Transmission Detailed Breakdown



ITEM #	PART #	DESCRIPTION	QTY
1	14375	BOLT M6 X 1.0 X 25 SLHH GR8.8 ZN	6
2	18130	WASHER M6 X 1.5 SPRLCK ZN	6
3	20133	REAR BEARING CAP NP	1
4	20132	GASKET BEARING CAP FRONT REAR NP	2
5	20137	BEARING TAPERED 20MM ID X 47MM OD	2
6	19993	SHAFT DRIVE CRT SHORT 54 C TO C 20 PA NP	1
7	*	CAST REAR TINE TRANNY HOUSING 8 HOLE NP	2
8	14028	GASKET REAR TINES PIPE TO HOUSING 8 HOLE	2
9	*	WELDMENT 2 FLANGED PIPE REAR TINE NP	1
10	400022	BOLT M8 X 1.25 X 25 SHCS GR 8.8 ZN	16
11	W1200114	WASHER M8 X 1.9 SPRLK BLK OX HIGH COLLAR	16
12	20134	FRONT END CAP NP	1
13	20136	SEAL 20MM SHAFT 35MM BORE	1
14	20131	COVER DRIVE SHAFT SEAL	1
* ORDER TRANSMISSION ASSEMBLY 20111			

ILLUSTRATED PARTS BREAKDOWN - 6015 Transmission Detailed Breakdown



ITEM #	PART #	DESCRIPTION	QTY
1	20130	COVER SHAFT SEAL NP	4
2	20135	SEAL 25MM SHAFT 40MM BORE	4
3	20138	SNAP RING 25MM EXTERNAL	4
4	*	SHIM 37 MM X 26 MM X 2 MM	4
5	*	BUSHING 25 X 32 X 36.5 MM NP	4
6	*	SHIM 26 X 32 X 1.5 MM NP	4
7	*	SETSCREW M6 X 1.0 X 8.5 SDP GR8.8 BLK OX	4
8	1500P113	KEY WOODRUFF 5X9X22	4
9	*	SHAFT PIN STYLE WHEEL DOUBLE KEY NP	1
10	*	SHAFT PIN STYLE TINES DOUBLE KEY NP	1
11	20128	GEAR BRONZE 25MM ID 30T 20.0 PA TWO KEYS	1
12	19982	GEAR BRONZE 25 MM ID 61T 20 PA TWO KEYS	1

* ORDER TRANSMISSION ASSEMBLY 20111