

REVISED STARTING
SERIAL # 120510074

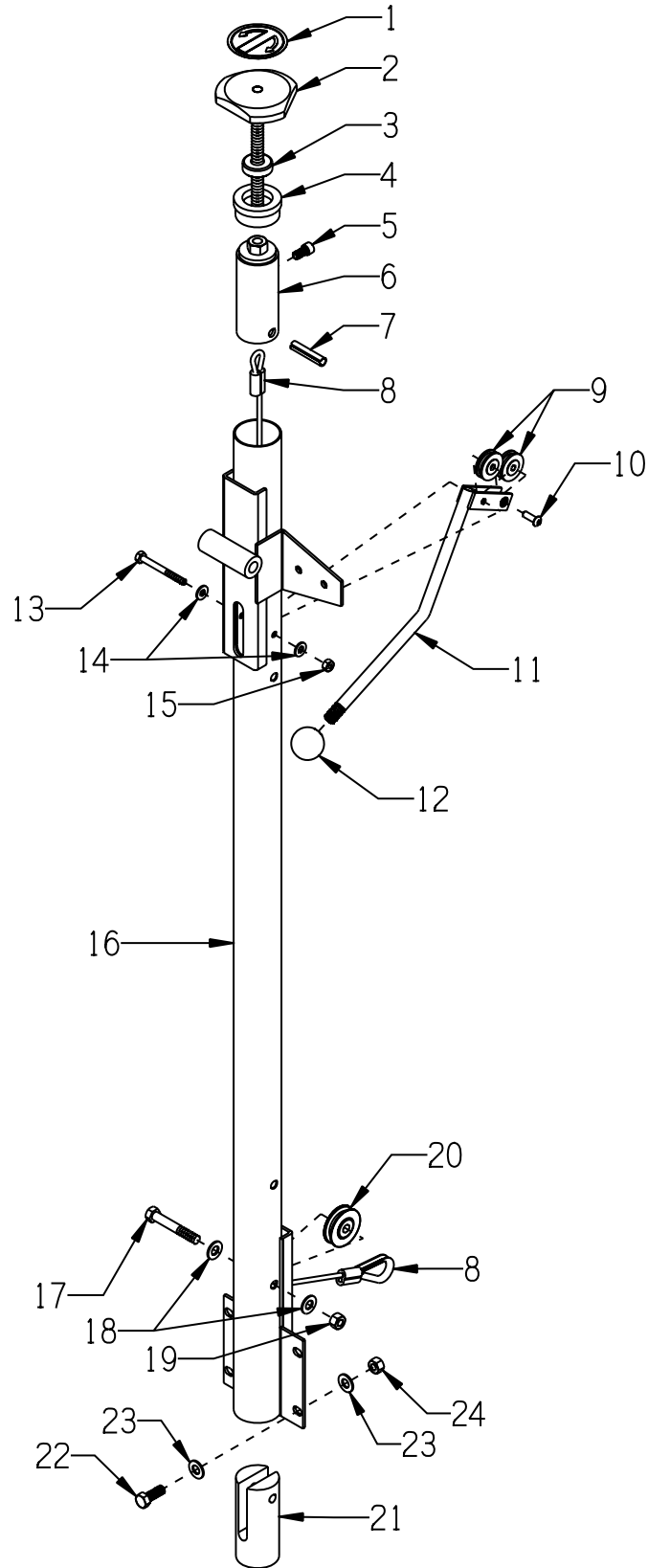
PARTS LIST MANUAL

VARIABLE SPEED ELECTRIC POWER TROWELS (SPECIFICALLY FOR EPOXY MORTARS)



SKU #	MODEL #	SIZE	RPM	MOTOR OPTION
C84400	T244VS-2L	24"	0 - 88	LEESON 2 HP
C84100	T304VS-2L	30"		
C84200	T364VS-2L	36"		

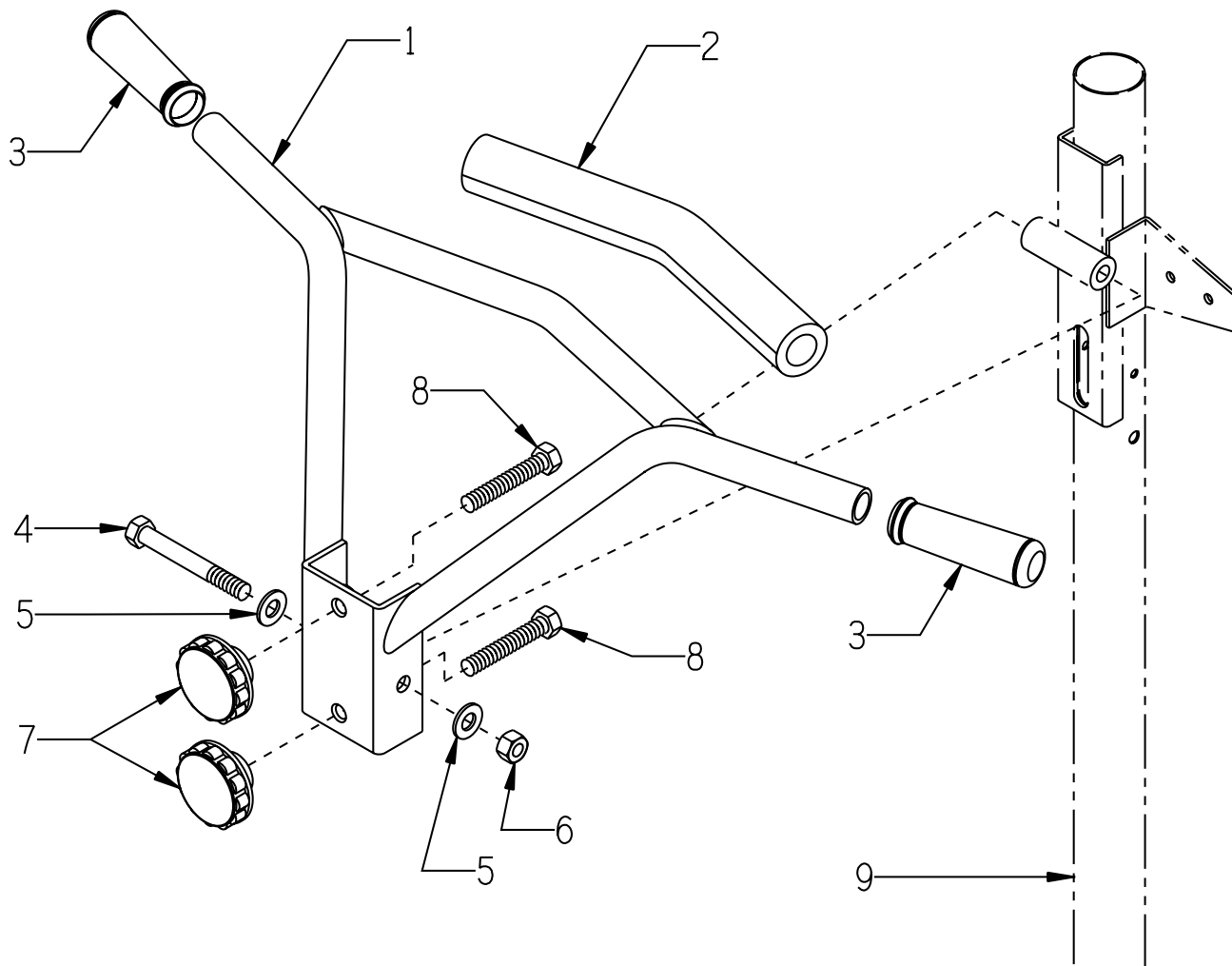
ILLUSTRATION 1: HANDLE BAR, PITCH LEVER & CONTROL KNOB GROUPING



**PARTS LISTING - ILLUSTRATION 1:
HANDLE BAR, PITCH LEVER & CONTROL KNOB GROUPING**

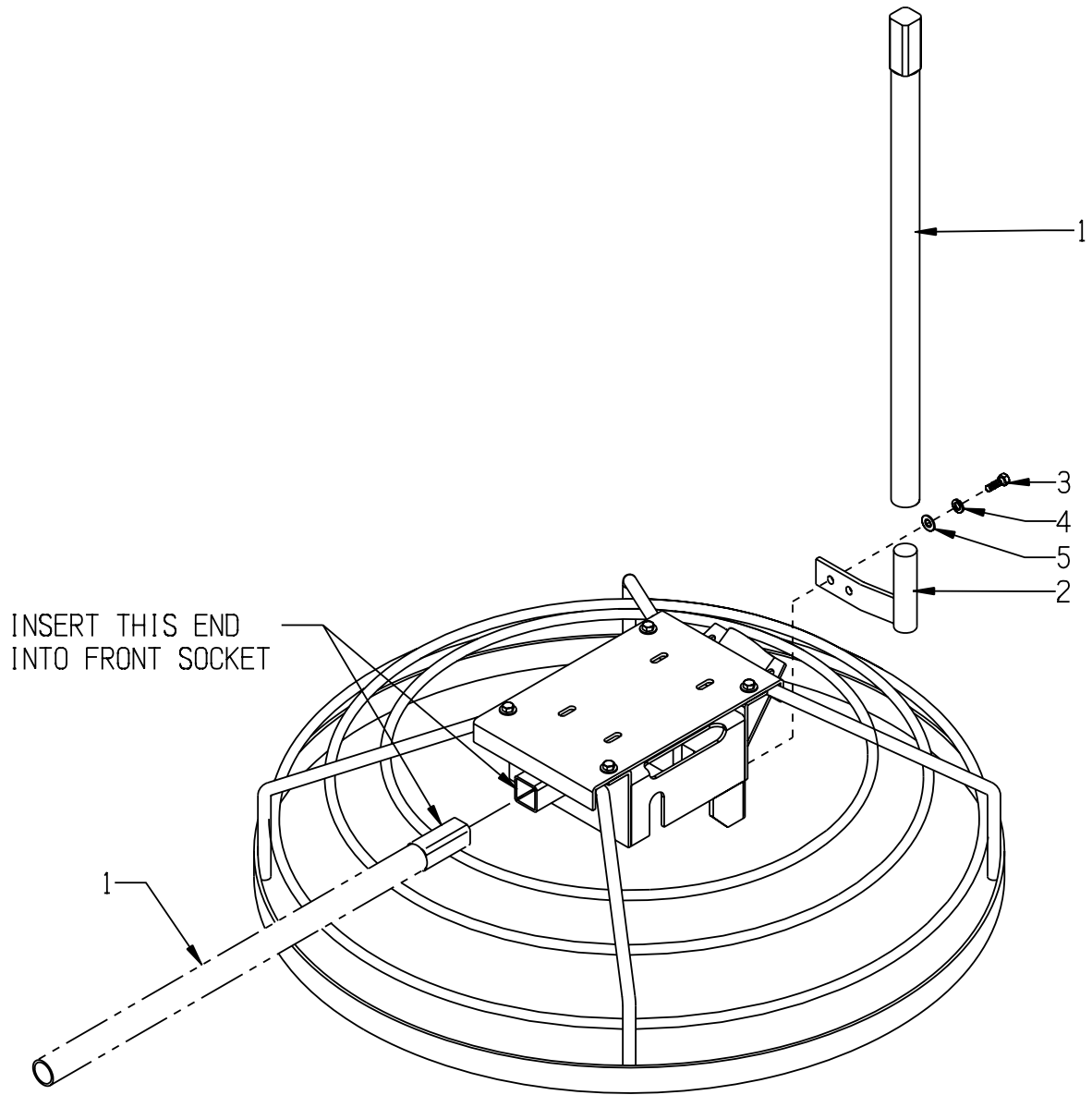
ITEM #	PART #	DESCRIPTION	QTY.
1	3661	DECAL, BLADE ANGLE - FLAT/TILT	1
2	49014	KNOB, CONTROL W/ 1/2-13 X 6-3/4"ROD	1
3	3642	BEARING, THRUST BALL 1/2	1
4	36078	HANDLE TOP INSERT	1
5	11639	SCREW, SKT. HD. CAP 5/16-18 X 5/8	1
6	36080	LINKAGE	1
7	11728	PIN, ROLL 3/8 X 1-3/4	1
8	36082	CABLE, CONTROL 3/16 X 51"L	1
	4610	CABLE, THIMBLE 3/16"	1
	3618	SLEEVE, 3/16" CABLE OVAL NICOPRESS	2
9	14082	PULLEY BEARING 1-1/4DIA. X 1/4BORE	2
10	10884	SCREW, SKT. BUTTON HD. 1/4-20 X 3/4	1
11	36081	LEVER, PITCH	1
12	14023	KNOB, BALL 1-3/8 W/ 1/2-13THD, BLK.	1
13	10001	SCREW, CAP 1/4-20 X 2-1/2	1
14	10602	WASHER, FLAT 1/4 SAE ZINC	2
15	10150	NUT, HEX NYLON LOCK 1/4-20	1
16	36070	HANDLE BAR	1
17	10393	SCREW, CAP 3/8-24 X 2-1/2	1
18	10025	WASHER, FLAT 3/8 SAE ZINC	2
19	10058	NUT, LOCK 3/8-24 W/ NYLON PATCH	1
20	3621	PULLEY BEARING 1-3/4DIA. X 3/8BORE	1
21	36077	ROLLER GUIDE	1
22	10021	SCREW, CAP 3/8-24 X 1	4
23	10025	WASHER, FLAT 3/8 SAE ZINC	4
24	10004	NUT, HEX LOCK 3/8-24 ZINC	4

ILLUSTRATION 2: ADJUSTABLE HANDLE BELLY BAR GROUPING



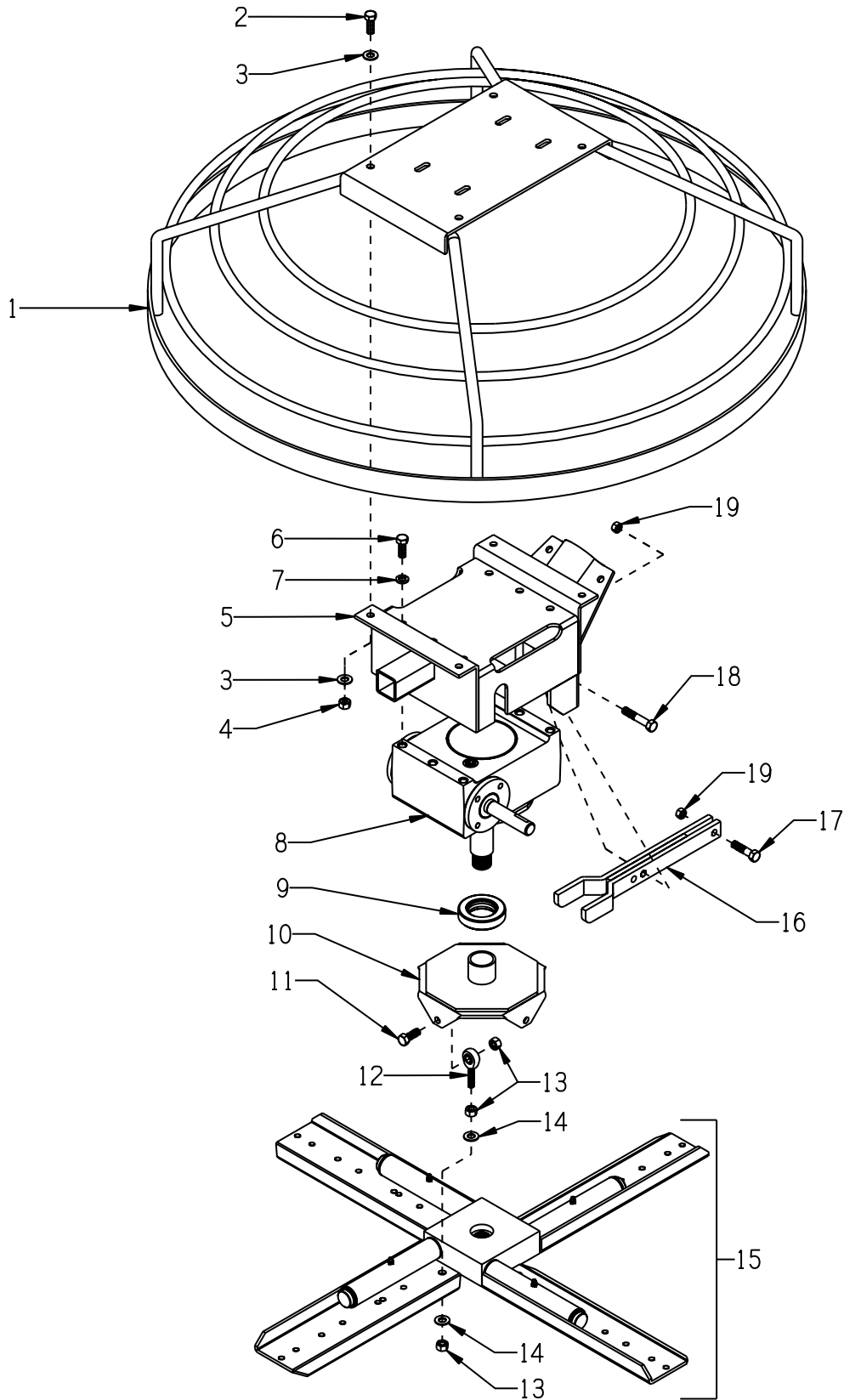
ITEM #	PART #	DESCRIPTION	QTY.
1	36071	HANDLE BELLY BAR, ADJUSTABLE	1
2	36083	PADDING, BELLY BAR	1
3	10608	GRIP, HAND 1" MODEL AT	2
4	81001	SCREW, CAP 1/2-13 X 4	1
5	10312	WASHER, FLAT 1/2 SAE ZINC	2
6	10155	NUT, HEX NYLON LOCK 1/2-13	1
7	36063	KNOB, FLUTED 1/2-13 X 2-1/2"DIA.	2
8	10340	BOLT, TAP 1/2-13 X 3 (FULL THREAD)	2
9	36070	HANDLE BAR (REF. TO ILLUS. 1, ITEM 16)	1

ILLUSTRATION 3: LIFT HANDLE GROUPING



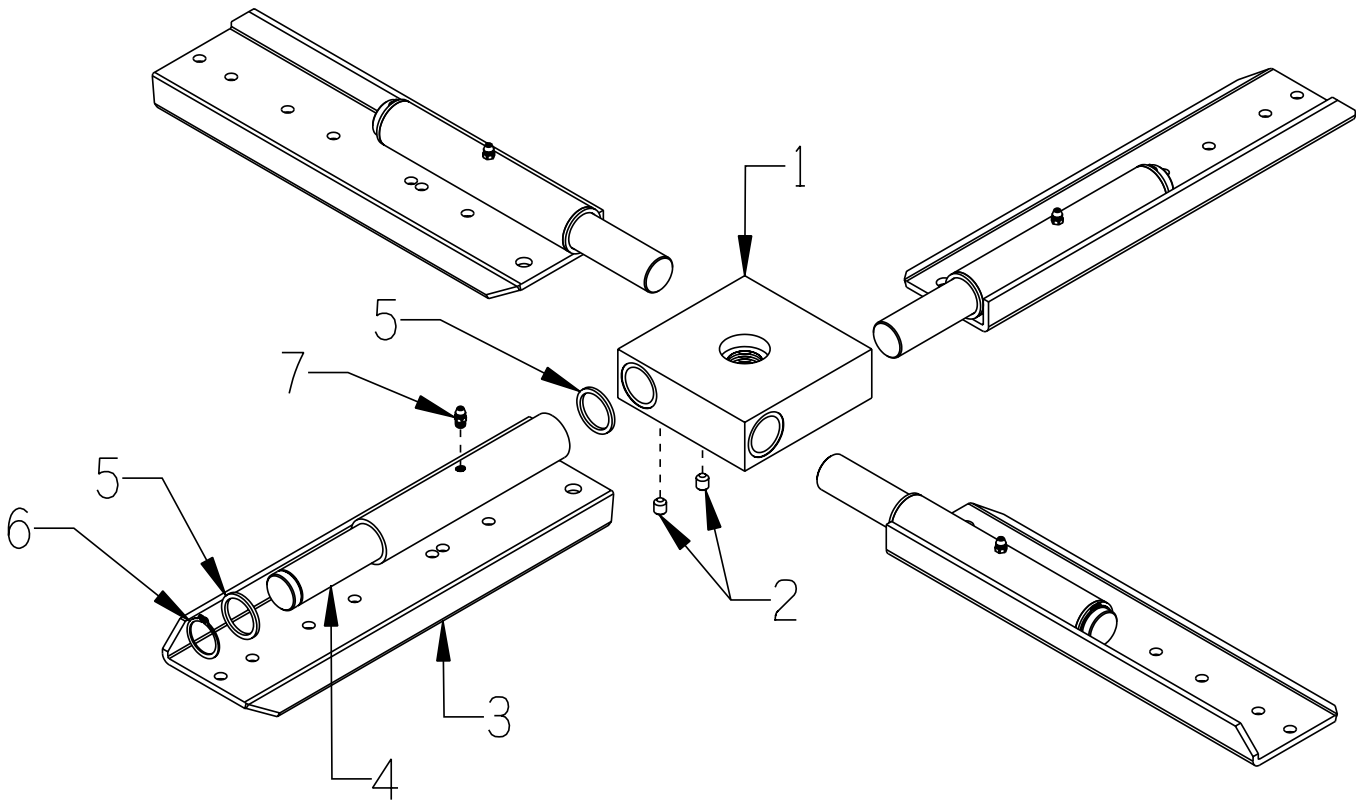
ITEM #	PART #	DESCRIPTION	QTY.
1	36091	HANDLE, LIFT	1
2	36092	HOLDER, LIFT HANDLE	1
3	10021	SCREW, CAP 3/8-24 X 1	2
4	10811	WASHER, LOCK 3/8 ZINC	2
5	10025	WASHER, FLAT 3/8 SAE ZINC	2

ILLUSTRATION 4: FRAME, TRANSMISSION & SPIDER GROUPING



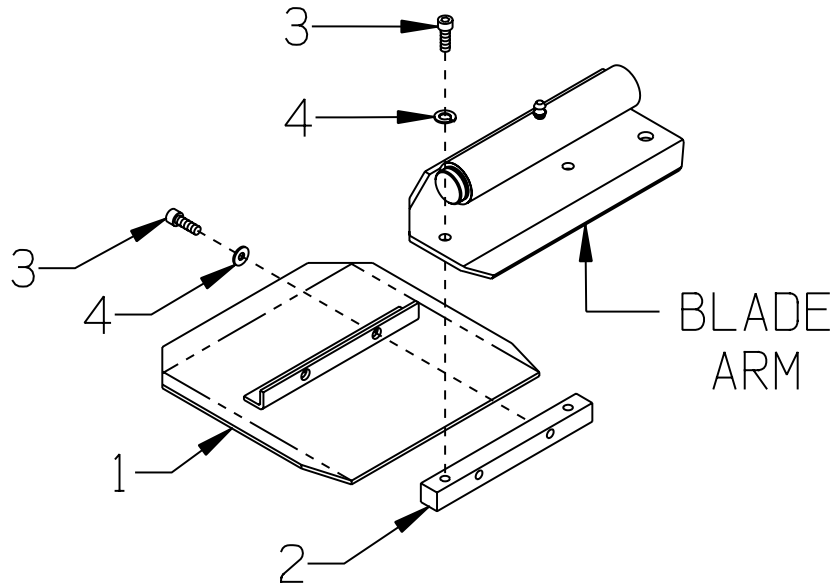
PARTS LISTING - ILLUSTRATION 4: FRAME, TRANSMISSION & SPIDER GROUPING			
ITEM #	PART #	DESCRIPTION	QTY.
1	36065 36066 36067	FRAME & GUARD RING 24" TROWEL 30" TROWEL 36" TROWEL	1
2	11729	BOLT, TAP 3/8-24 X 1-3/4 FULL THD.	4
3	10025	WASHER, FLAT 3/8 SAE ZINC	8
4	10004	NUT, HEX LOCK 3/8-24 ZINC	4
5	36069	MOUNT, TRANSMISSION	1
6	10055	SCREW, CAP 3/8-16 X 1	6
7	10025	WASHER, FLAT 3/8 SAE ZINC	6
8	3664	TRANSMISSION 20:1 RATIO	1
9	3609	BEARING, THRUST BALL 1-1/2"ID X 2-19/32"OD X 5/8"THK	1
10	3626	PLATE, PITCH ADJUSTMENT 24, 30, & 36" TROWELS	1
11	10021	SCREW, CAP 3/8-24 X 1	4
12	3605	ROD END, MALE 3/8-24	4
13	10004	NUT, HEX LOCK 3/8-24 ZINC	12
14	10025	WASHER, FLAT 3/8 SAE ZINC	8
15	36084 36085 36086	SPIDER ASSEMBLY (REFER TO ILLUS. 5) 24" TROWEL (8-1/2" ARMS) 30" TROWEL (12" ARMS) 36" TROWEL (13" ARMS)	1
16	3625	FORK	1
17	10816	SCREW, CAP 3/8-24 X 1-1/2	1
18	10030	SCREW, CAP 3/8-24 X 2	1
19	10004	NUT, HEX LOCK 3/8-24 ZINC	2

ILLUSTRATION 5: SPIDER ASSEMBLY



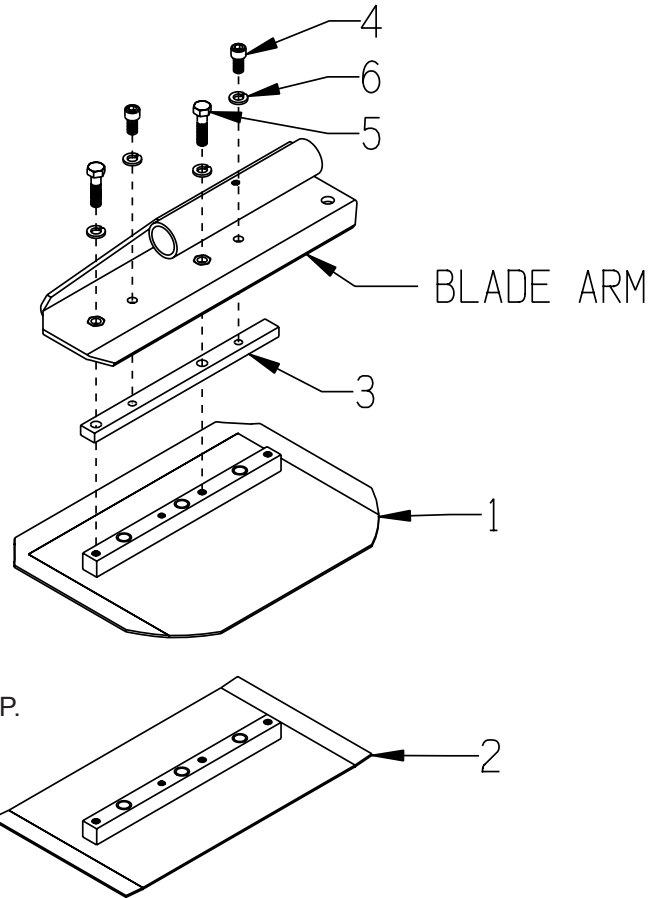
ITEM #	PART #	DESCRIPTION	QTY.
1	3637	HUB, 4 BLADE TROWEL	1
2	10052	SCREW, SET 5/16-18 X 3/8	8
3	2402 3666 36007	ARM, BLADE 8-1/2" ARM, 24" TROWEL ,BOLT-ON BLADES 12" ARM, 30" TROWEL, BOLT-ON OR QUICK-CHANGE 13" ARM, 36" TROWEL, BOLT-ON OR QUICK-CHANGE	4
4	3635	SHAFT, BLADE ARM 9-11/16"L	4
5	3629	SPACER, ALUM. 1.25 X 1.017 X .090	4
6	10906	RETAINING RING, EXT. 1"	4
7	10808	FITTING, GREASE 1/4-28 STRAIGHT	4

ILLUSTRATION 6:
BOLT-ON BLADES & ADAPTER
FOR 24" TROWEL



ITEM #	PART #	DESCRIPTION	QTY.
1	40470 40480 40490	BLADE C-4 COMBINATION TROWEL BLADE 8 X 8 (SHOWN) F-4 FINISH TROWEL BLADE 6 X 8 M-4 FLOAT TROWEL BLADE 9 X 8	4
2	2406	BAR, BLADE MOUNTING 5/8" SQ. X 6"	4
3	11639	SCREW, SKT. HD. CAP 5/16-18 X 5/8	16
4	10801	WASHER, LOCK 5/16 ZINC	16

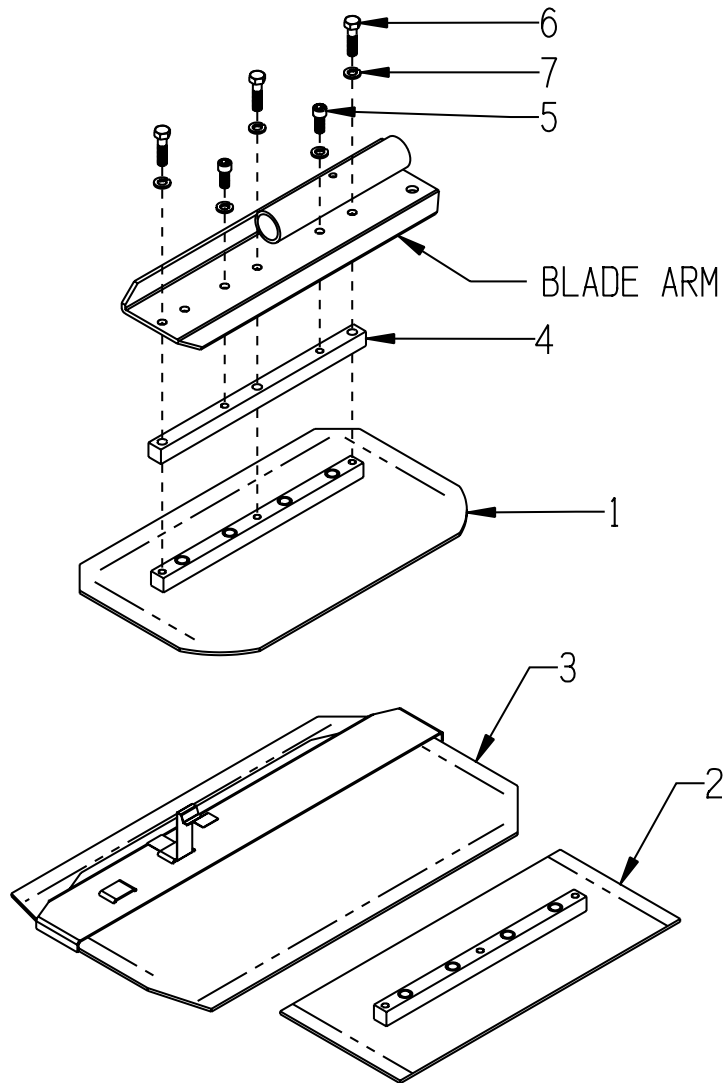
ILLUSTRATION 7:
BOLT-ON BLADES & ADAPTER
FOR 30" TROWEL



NOTE:
A FLOAT BLADE IS NOT
USED WITH THIS SET-UP.

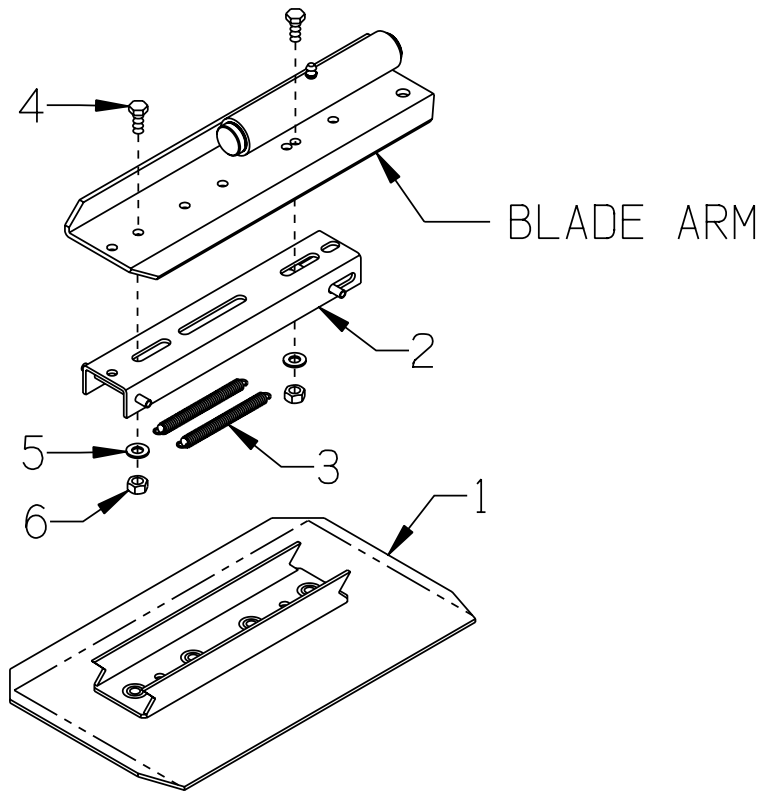
ITEM #	PART #	DESCRIPTION	QTY.
1	40270-C	C-2C COMBINATION TROWEL BLADE 8 X 10-1/2	4
2	40280-C	F-2C FINISH TROWEL BLADE 6 X 10-1/2	4
3	3639	ADAPTER BAR 3/8" X 5/8" X 8-1/4"	4
4	11639	SCREW, SKT. HD. CAP 5/16-18 X 5/8	8
5	10606	SCREW, HEX HD. CAP 5/16-18 X 1-1/4	8
6	10801	WASHER, LOCK 5/16 ZINC	20

ILLUSTRATION 8:
BOLT-ON BLADES & ADAPTER
FOR 36" TROWEL



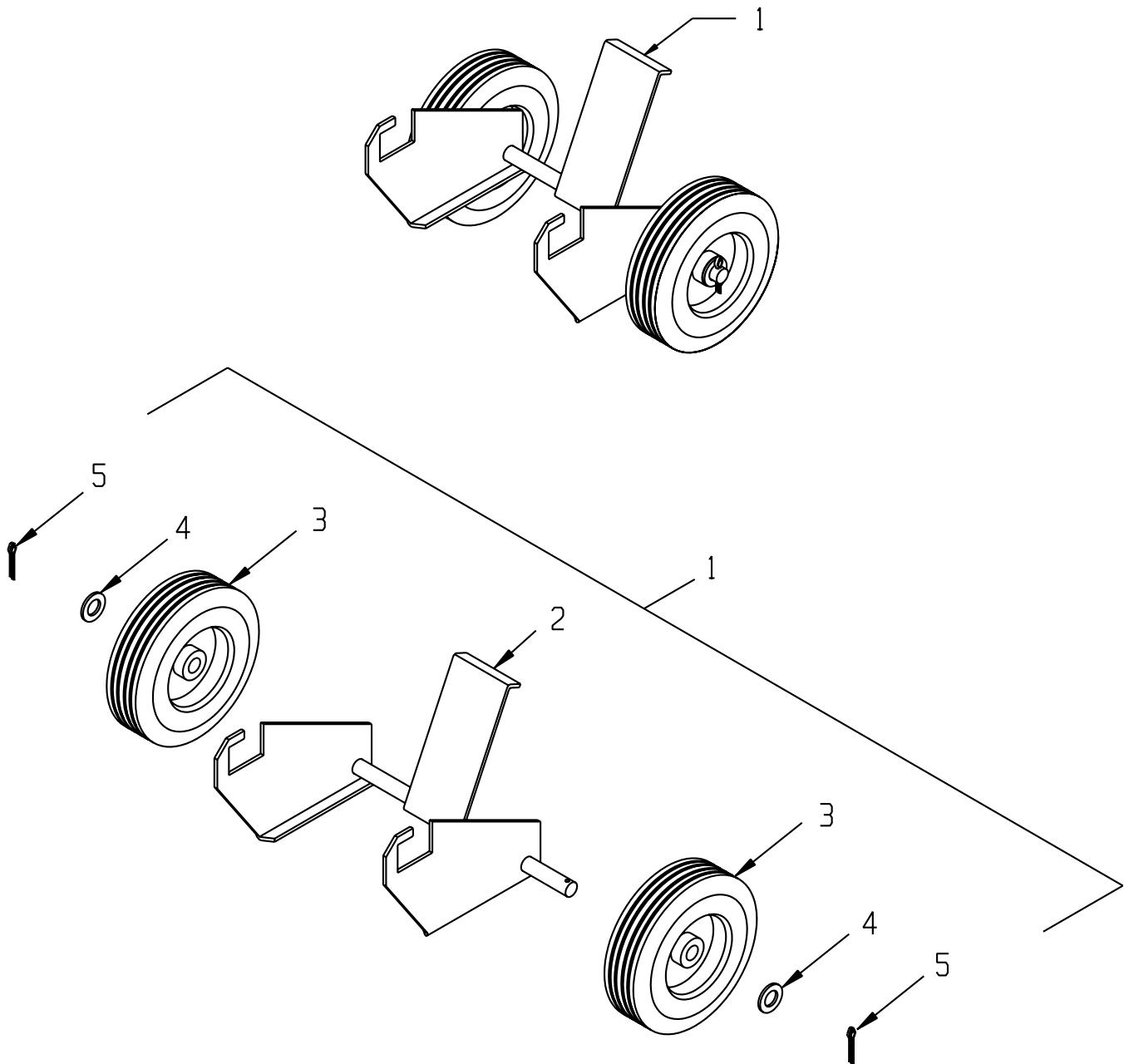
ITEM #	PART #	DESCRIPTION	QTY.
1	40040-C	C-1C COMBINATION TROWEL BLADE 8 X 14	4
2	40050-C	F-1C FINISH TROWEL BLADE 6 X 14	4
3	40060-CE	M-1CE FLOAT TROWEL BLADE 10 X 14 (SLIPS OVER FINISH BLADE)	4
4	36016	ADAPTER BAR 5/8" SQ. X 10-1/4"	4
5	11639	SCREW, SKT. HD. CAP 5/16-18 X 5/8	8
6	10606	SCREW, HEX HD. CAP 5/16-18 X 1-1/4	12
7	10801	WASHER, LOCK 5/16 ZINC	20

**ILLUSTRATION 9:
OPTIONAL QUICK CHANGE BLADES & ADAPTERS
FOR 30" & 36" TROWELS**



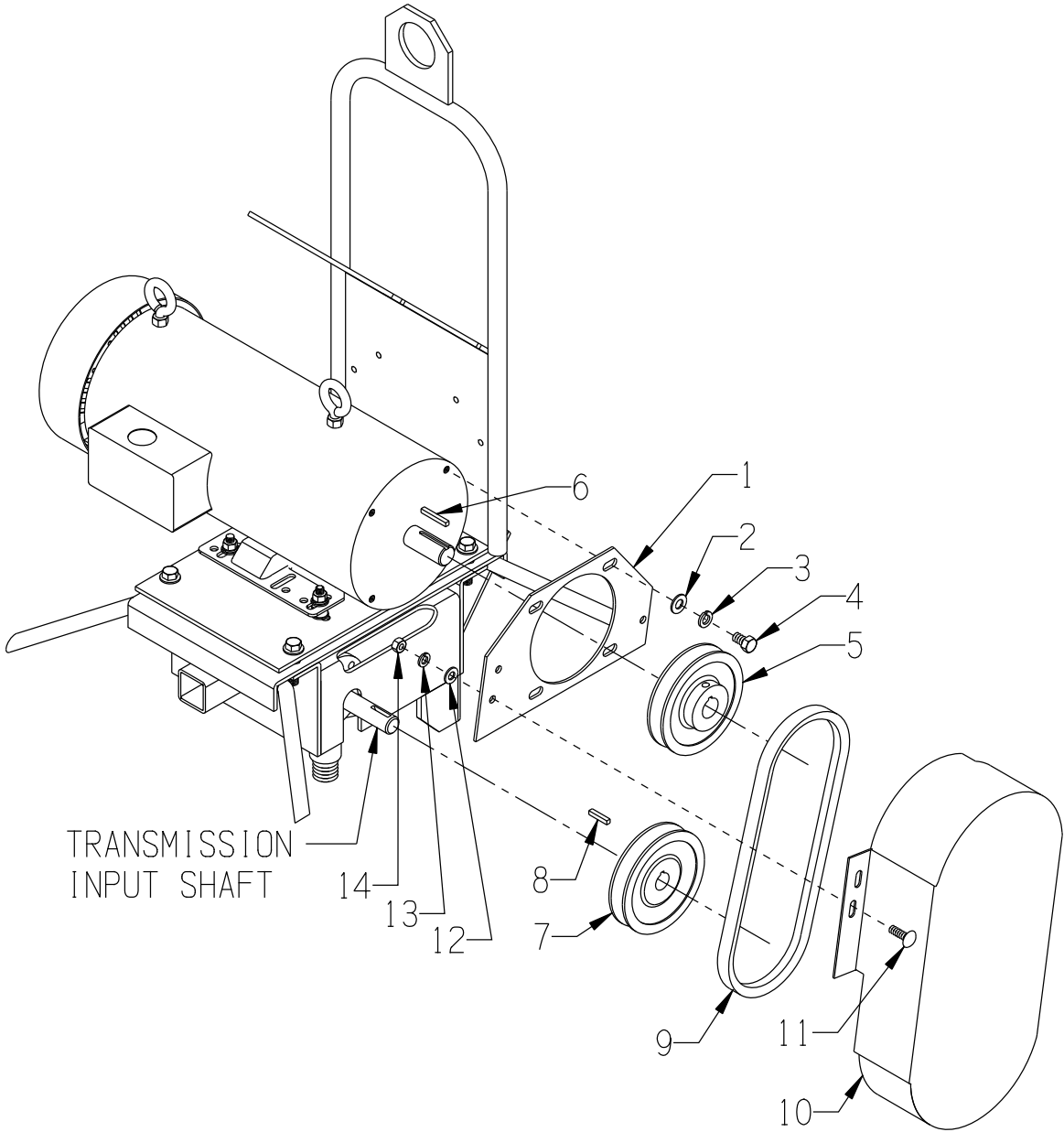
ITEM #	PART #	DESCRIPTION	QTY.
1	40270 40040	COMBINATION BLADE (SHOWN) C-2, 8" x 11" C-1, 8" x 14"	4
1	40290 40060	FLOAT BLADE M-2, 9" x 11" M-1, 9" x 14"	4
1	40280 40050	FINISH BLADE F-2, 6" x 11" F-1, 6" x 14"	4
2	40197	ADAPTER COMPLETE "A" 10-1/16"L (INCLUDES SPRINGS, ITEM 3)	4
3	3636	SPRING, EXTENSION 6"L ("A" ADAPTER)	8
4	10053	SCREW, CAP 5/16-18 X 3/4	8
5	10213	WASHER, FLAT 5/16 SAE ZINC	8
6	10807	NUT, HEX LOCK 5/16-18 ZINC	8

ILLUSTRATION 10: OPTIONAL "TOTE-A-TROWEL"



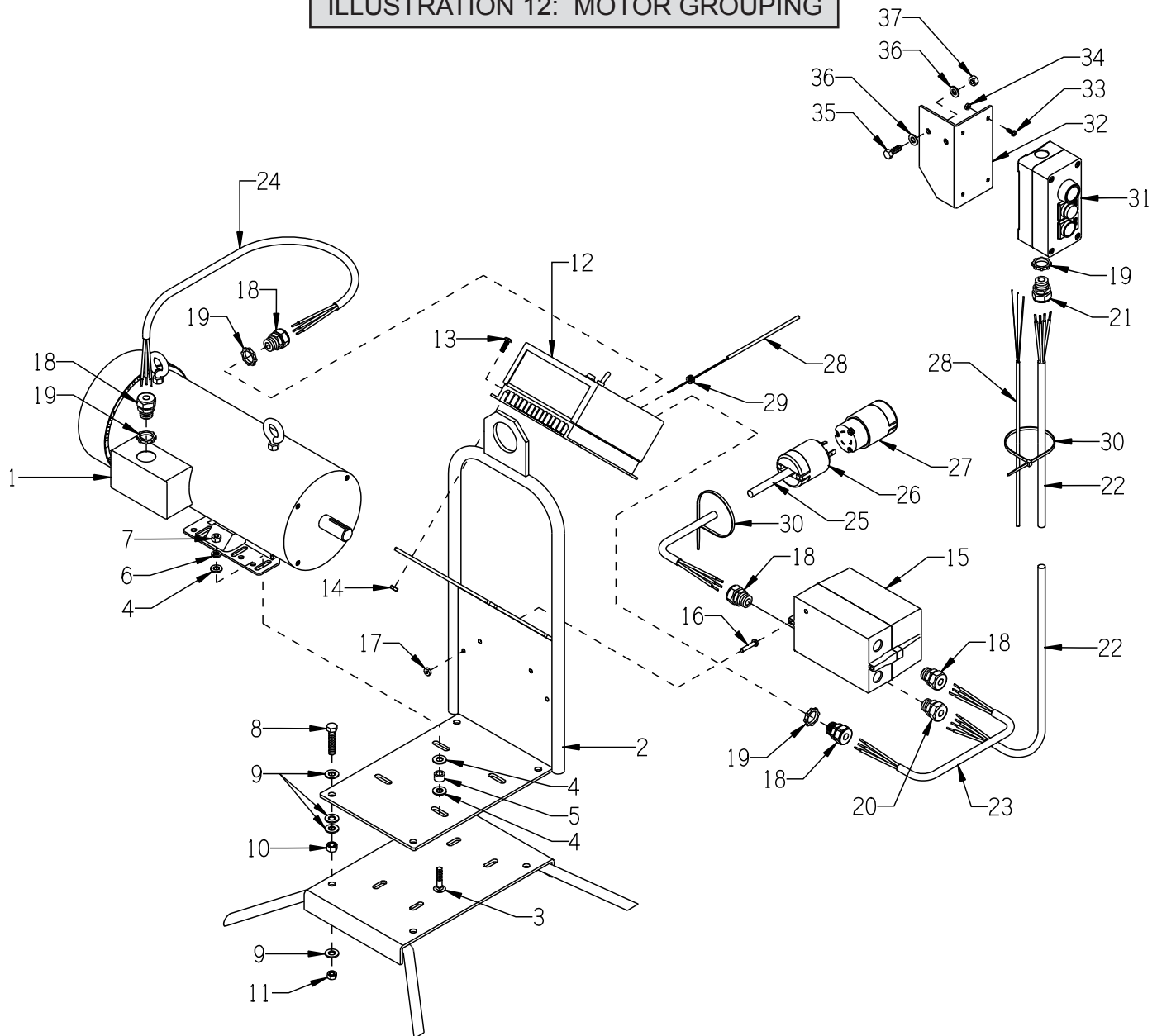
ITEM #	PART #	DESCRIPTION	QTY.
1	81400	TAT-II "TOTE-A-TROWEL" TRANSPORTER (INCLUDES ITEMS 2 THRU 5)	1
2	81401	FRAME	1
3	79013	WHEEL, 8 X 2-1/2 X 3/4" BRG. POLY HUB	2
4	10009	WASHER, FLAT 3/4 SAE ZINC	2
5	10306	PIN, COTTER 3/16 X 1-1/2	2

ILLUSTRATION 11: BELT DRIVE GROUPING



PARTS LISTING - ILLUSTRATION 11: BELT DRIVE GROUPING			
ITEM #	PART #	DESCRIPTION	QTY.
1	36089	MOUNT, BELT COVER, V.S. TROWEL	1
2	10025	WASHER, FLAT 3/8 ZINC	4
3	10811	WASHER, LOCK 3/8 ZINC	4
4	10907	SCREW, CAP 3/8-16 X 3/4	4
5	10550	SHEAVE 4.5"OD X 1GR.B X 7/8"BORE	1
6	-----	KEY (INCLUDED W/ MOTOR)	1
7	10551	SHEAVE 4.5"OD X 1GR.B X 3/4"BORE	1
8	36108	TRANS. INPUT KEY 3/16SQ X 1 (INCLUDED W/ TRANSMISSION)	1
9	10023	BELT 5L-280	1
10	36072	COVER, BELT, TROWEL (4-3/16" WIDTH)	1
	36141	COVER, BELT, ELEC.TROWEL (3"WIDTH)	1
11	10818	BOLT, CARRIAGE 5/16-18 X 3/4 F.T.	3
12	10801	WASHER, LOCK 5/16 ZINC	3
13	10213	WASHER, FLAT 5/16 SAE ZINC	3
14	10054	NUT, HEX 5/16-18 ZINC	3

ILLUSTRATION 12: MOTOR GROUPING



PARTS LISTING - ILLUSTRATION 12: MOTOR GROUPING			
ITEM #	PART #	DESCRIPTION	QTY.
1	16052	MOTOR, LEESON 2HP-180VDC-1750RPM CAT. NO. 128010.00 NOTE: BASE IS FLIPPED AROUND 180°	1
2	36142	LIFTING BAIL/MOTOR MOUNT, VS TROWEL	1
3	10817	BOLT, CARRIAGE 5/16-18 X 1-1/2 F.T.	4
4	10213	WASHER, FLAT 5/16 SAE ZINC	12
5	10011	SPACER, STEEL 5/8OD X 3/8ID X 3/8T	4
6	10801	WASHER, LOCK 5/16 ZINC	4
7	10054	NUT, HEX 5/16-18 ZINC	4
8	11729	BOLT, TAP 3/8-24 X 1-3/4(FULL THD.)	4

PARTS LISTING CONTINUED - ILLUSTRATION 12: MOTOR GROUPING			
ITEM #	PART #	DESCRIPTION	QTY.
9	10025	WASHER, FLAT 3/8 SAE ZINC	12
10	10011	SPACER, STEEL 5/8OD X 3/8ID X 3/8T	4
11	10004	NUT, HEX LOCK 3/8-24 ZINC	4
12	16111	CONTROL ASSEMBLY, ADJUSTIBLE SPEED	1
	16111-S1	INCLUDES: CONTROL CHASSIS, SPEEDMASTER	1
	16111-S2	CONTROL HEAT SINK, SPEEDMASTER	1
13	10830	SCREW, MACHINE SHWH 10-32 X 1/2 NUT, HEX 5/16-18 ZINC	4
14	10832	NUT, KEPS LOCK 10-32 ZINC	4
	10850	WASHER, FLAT #10 SAE ZINC (NOT SHOWN)	4
15	16604	STARTER ACI #128844 RESET ONLY (COMPLETE BOX)	1
	16617	REPLACEMENT PARTS: STARTER CONTACTOR W/ COIL ACI SK18.310-230	1
	16622	STARTER AC COIL 200/240V-60HZ	1
	16635	STARTER OVERLOAD RELAY 11.3-16 AMP	1
16	11732	SCREW, MACHINE 10-32 X 1-3/4 RHP	2
	10384	SCREW, MACHINE 10-32 X 1 RHP	1
17	10832	NUT, KEPS LOCK 10-32 ZINC	3
18	41130	STRAIN RELIEF 1/2NPT X .550-.650"	5
19	10790	CONDUIT LOCK NUT 1/2 NP	4
20	40066	STRAIN RELIEF 1/2NPT X .350-.450"	1
21	28032	STRAIN RELIEF 1/2NPT X .450-.560"	1
22	36151	CORD WIRE 16/4 X 58"L	1
23	36152	CORD WIRE 12/3 X 24"L	1
24	36153	CORD WIRE 12/3 X 34"L	1
25	36154	CORD WIRE 12/3 X 65"L	1
26	40037	PLUG, LOCKING 20A/250V L6-20P	1
27	40000	CONNECTOR, LOCKING 20A/250V L6-20C	1
28	36155	WIRE, CONTROL 22/3 X 65"L	1
29	11535	GROMMET 5/32ID X 7/64GRV. X 1/4GD	1
30	10982	TIE, CABLE, BLACK NYLON 11-1/4"	10
31	16602	SWITCH BOX, 3-BUTTON ACI 128896 (INCLUDES 2 BUTTONS ONLY)	1
	16456-6	NOTE: VARIABLE SPEED KNOB IS RELOCATED FROM THE CONTROL BOX. REPLACEMENTS: PUSH-BUTTON, GREEN W/ CONTACTOR	1
	16456-7	PUSH-BUTTON, RED W/ CONTACTOR	1
32	36156	BRACKET, V.S. REMOTE SWITCH BOX	1
33	11663	SCREW, MACHINE 8-32 X 1/2 RHCD ZINC	4
34	10462	NUT, KEPS LOCK 8-32 ZINC	4
35	10018	SCREW, CAP 1/4-20 X 3/4	2
36	10602	WASHER, FLAT 1/4 SAE ZINC	4
37	10861	NUT, KEPS LOCK 1/4-20 ZINC	2