

# INSTALLATION AND OPERATION MANUAL

**EPA CERTIFIED  
WOOD BURNING  
STOVE**



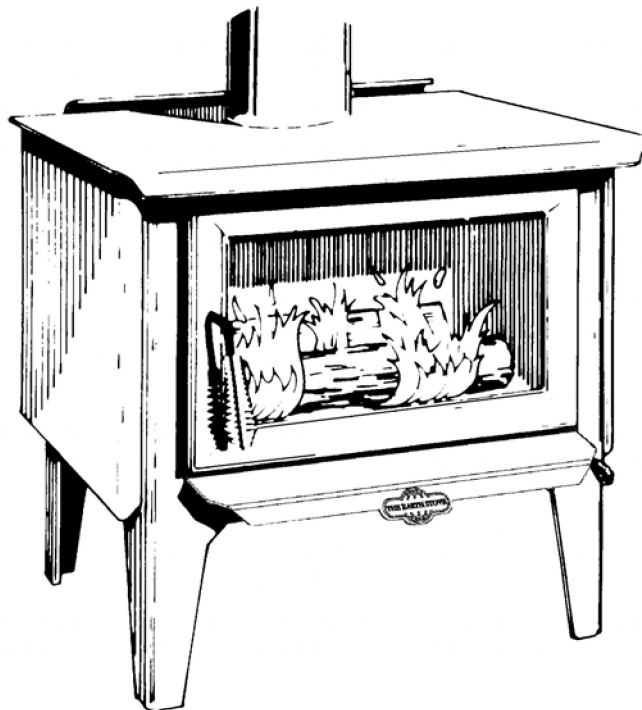
**www.nficertified.org**

We suggest that our wood-burning hearth products be installed and serviced by professionals who are certified in the U.S. by the National Fireplace Institute® (NFI) as NFI Woodburning Specialists or who are certified in Canada by Wood Energy Technical Training (WETT).



**Wood Energy  
Technical Training**  
www.wettinc.ca

**RETAIN THESE  
INSTRUCTIONS  
FOR FUTURE  
REFERENCE**



**MODEL 1400HT**

**THIS APPLIANCE MUST BE INSTALLED BY A QUALIFIED INSTALLER.  
READ ENTIRE MANUAL THOROUGHLY BEFORE INSTALLATION.**

Tested & Listed By  Beaverton Oregon USA

OMNI-Test Laboratories, Inc.

P/N 775000M, Rev. G, 12/03

## REPLACEMENT PARTS – Model 1400HT

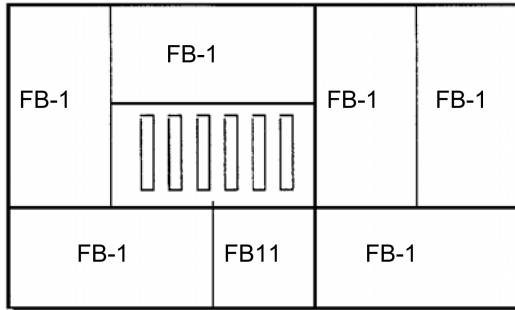
PART NO.	DESCRIPTION
/ CAT. NO.	<b>DESCRIPTION</b>
	<b>Door Parts</b>
10500	Door Assembly, Cast Black (handle included)
27M67	Clip Set, Glass
86-128	Door Gasket Kit, 3/4" Rope (includes adhesive)
27M81	Gasket, Glass Channel (self adhesive backed)
10514	Glass, Rectangular 9 1/2 X 17" (glass gasket not included)
10300	Handle Assembly
11530	Hinge, Pin Short - Requires 2
10362	Torque Plate (latch)
	<b>Draft Module Parts</b>
26M28	Module Assembly, Draft (flame height control)
	<b>Firebox Parts (see firebrick diagram, page 20) note: all firebrick are 1 1/4" thick</b>
FB-1	Firebrick, 9 x 4 1/2"
FB-2	Firebrick, 9 x 4 1/2" w/notch
10545	Firebrick, 9 x 4 1/2" w/notch (baffle brick are a special denser brick. Do not substitute with FB-2)
FB11	Firebrick, 4 1/2 x 4 3/8"
FB5	Firebrick, 9 x 2 1/2" w/hole
	<b>Fan System Parts (if optional kit(s) installed)</b>
14440	Dial - A - Temp (rheostat)
	<b>Misc. Component Parts</b>
775000M	Installation / Operation Manual

For the location of the nearest Dealer for replacement parts, contact:

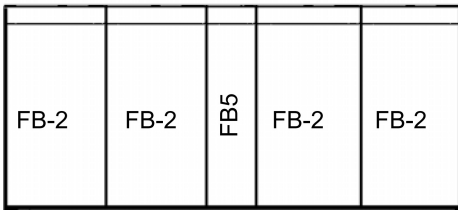
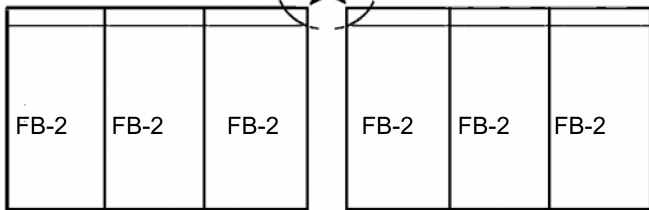
**Lennox Hearth Products  
1110 West Taft Avenue  
Orange, CA 92865**

# REPLACEMENT PARTS – Model 1400HT

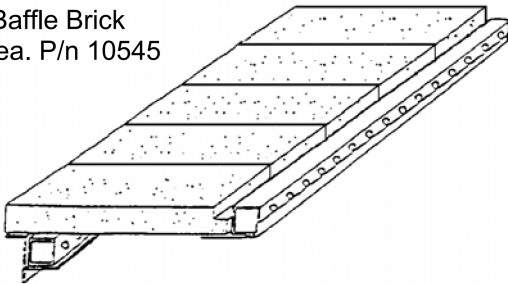
## FIREBRICK DIAGRAM



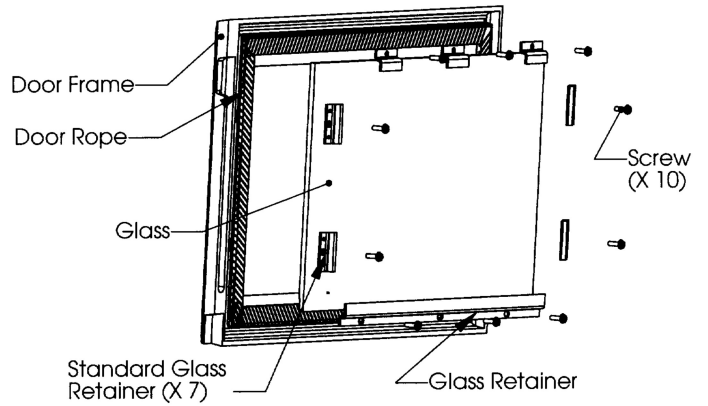
Must Chip Approximately 1" x 1" Notches to Fit



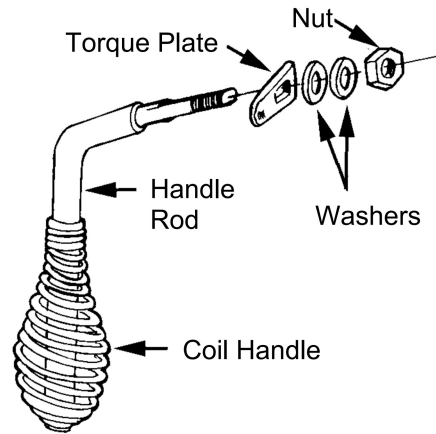
\* Baffle Brick  
5 ea. P/n 10545



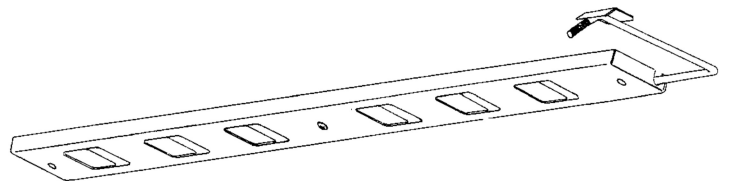
## DOOR ASSEMBLY



## HANDLE ASSEMBLY (P/N LB-102214)



## PRIMARY AIR DRAFT MODULE



## OPTIONAL ACCESSORIES – Model 1400HT

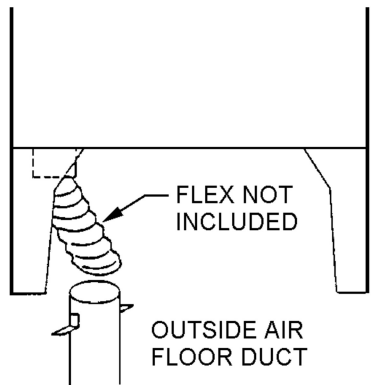
Note: Install and use accessories per instructions provided with the accessory kit.

Catalog #	Description(Model)	Notes
14M66	Outside Air Floor Duct (OAFD-R)	3" Diameter Round
14M22	Blower Kit (BK-100)	Includes Dial-A-Temp for Variable Speed Control
14M21	Stove Stat Kit (SSK)	Thermally Controls Blower
70K99	Touch-up Spray Paint Kit, Black (TSPK-B)	12 oz Spray Can

### Outside Air Floor Duct (OAFD-R)

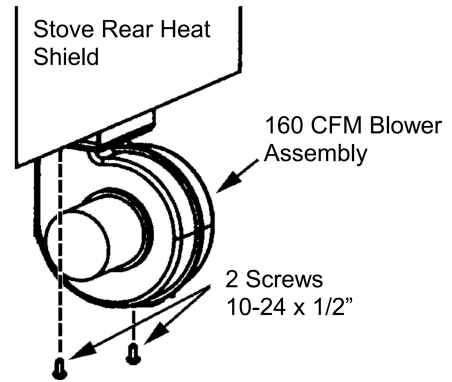
Outside air can be delivered for combustion air by utilizing this floor penetration duct.

(Duct penetration measures 3" [76 mm] diameter round)

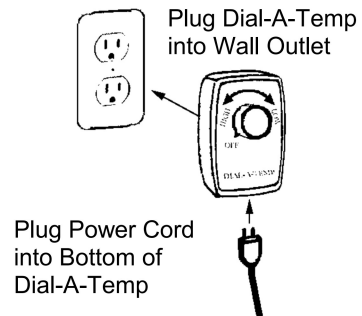


### Blower Kit

A Blower Kit (includes rheostat for variable speed control) is available for increased heat circulation.



### Variable Speed Control, Dial-A-Temp



### Stove-Stat Kit

(Turns blower on when stove is hot and turns blower off when stove is cool)

