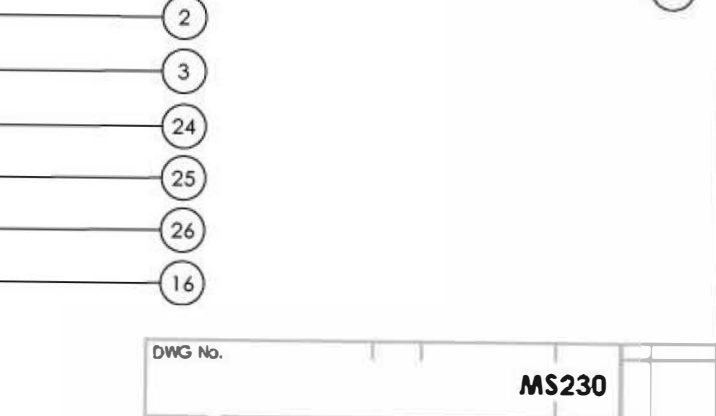
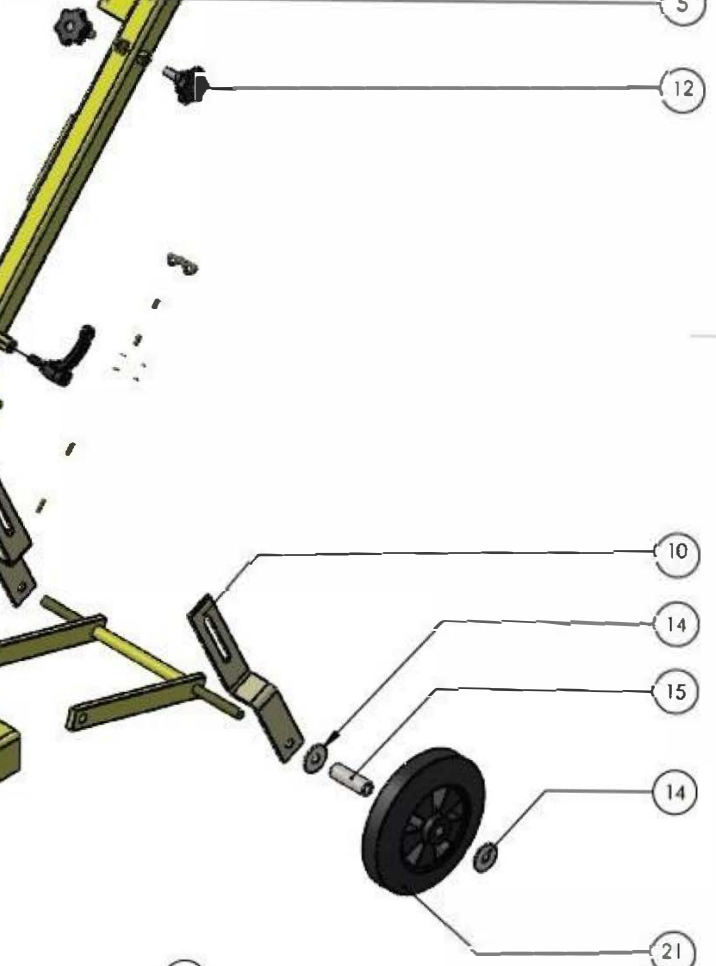
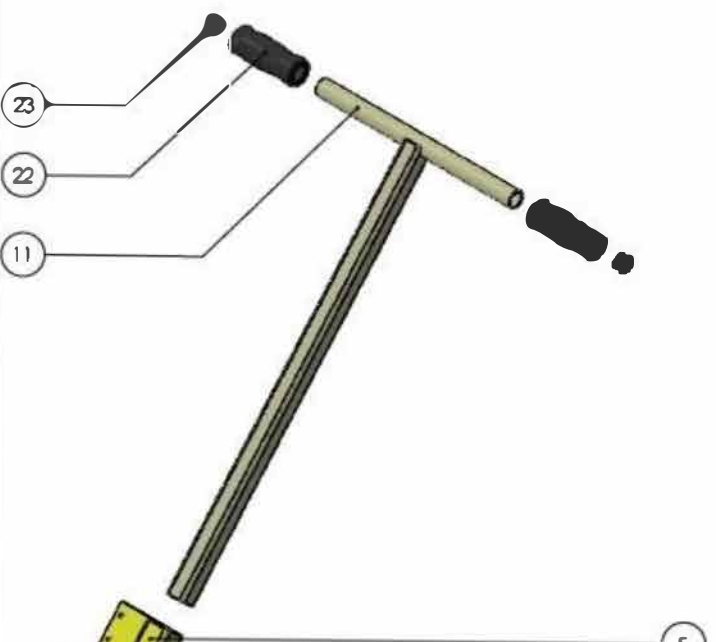


MS230 - 1
MULTISTRIPPER
Operating Manual



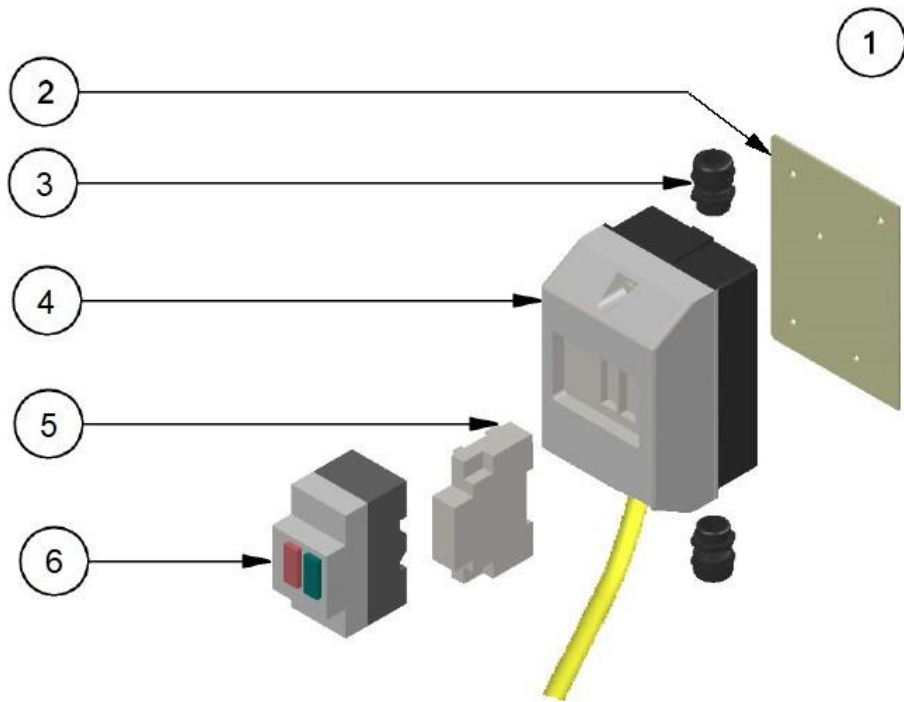
ITEM #	SPE P/N	DESCRIPTION	QTY.
1	C305	MOTOR (110V) CAPACITORS SOLD SEPARATELY	1
2	C306	ECCENTRIC BUSHING	1
3	C307	BEARING	1
4	C309	SWITCH	1
5	C311A	CHASSIS HANDLE	1
6	C312	DRIVE ARM	1
7	C313	BEARING ARM	1
8	C314	DEFLECTOR	1
9	C315	MOTION ARM	1
10	C318	SIDE ARM	2
11	C319	HANDLE	1
12	C321	THREADED KNOB (M10X25)	2
13	C323	AXLE FORK	1
14	C323B	AXLE SPACER	4
15	C324	WHEEL BEARING SPACER	2
16	C327	DRIVE ARM BUSHING	1
17	C328	WEAR STRIP	1
18	C331	BOLT SPACER	2
19	C334	INDEXED CLAMPING LEVER	2
20	C341	SPRING	1
21	6013	WHEEL	2
22	9104	HANDLEBAR GRIP	2
23	TV009	TUBE INSERT (BLACK)	2
24	BOLT000	M6 X 30 HEX BOLT	1
25	BOLT000	M8 X 25 HEX BOLT	6
26	BOLT000	M8 X 35 HEX BOLT	6
40	C301	BLADE	1
41	C311	CHASSIS	1

ITEM #	SPE P/N	DESCRIPTION	QTY
NOT SHOWN	30MF@400V	RUN CAPACITOR 110V	1
NOT SHOWN	125MF@240V	START CAPACITOR 110V	1



DWG No.				
			MS230	
SCALE	NOT TO SCALE			

Parts List			
ITEM	QTY	SPE PART NUMBER	DESCRIPTION
1	1	C309K	Switch Kit
2	1	C309KP	Switch Plate
3	2	SPGC/LNM20	Gland
4	1	NS2-25-MC	Enclosure
5	1	NS2-25-UV1	Undervoltage Coil
6	1	NS2-25-14	Switch



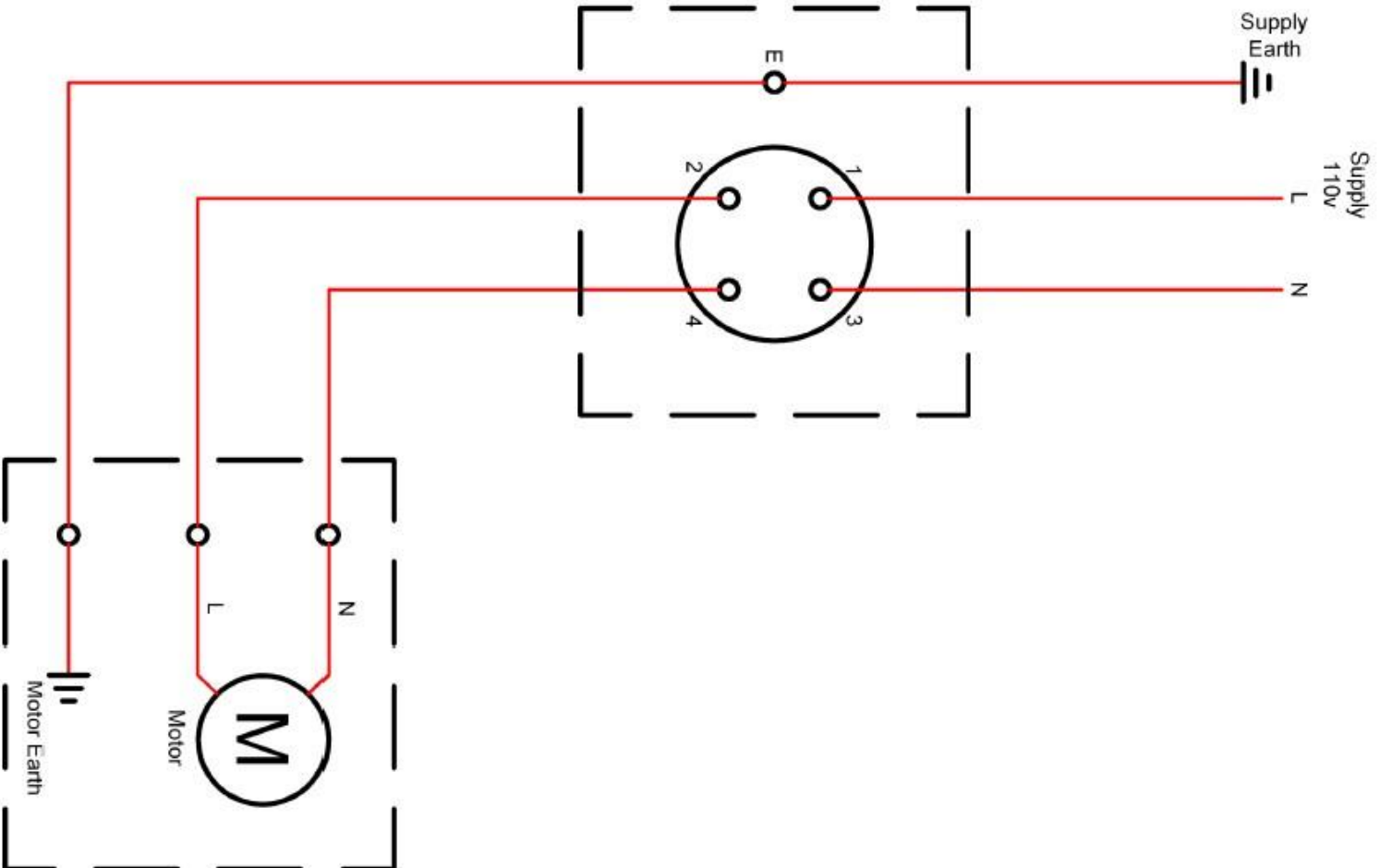


MS230-1
MULTIS RIPPER
Operating Manual

ELECTRICAL COMPONENTS NOT ILLUSTRATED

Part no	Description	Qty
30MF@400V	Run Capacitor 110v	1
125MF@240V	Start Capacitor 110v	1
SP210-304	110v 16A 3pin Trailing Plug	1
7512	2.5mm Cable - Yellow	5 mtrs

This drawing should not be used, copied, shown or handed to a third party without the prior written consent of SPE International Ltd.



SPE
Surface Preparation Equipment™

SPE International Limited
Horseshoe Lane, Denton,
Litchfield, Lanc. SK20 4JH, England
Tel: +44 (0) 1673 869 339
Fax: +44 (0) 1673 891 119
Web Site: <http://www.spe-int.com>
E-mail: sales@spe-int.com

THIS DRAWING IS THE CONFIDENTIAL COPYRIGHT
PROPERTY OF SPE INTERNATIONAL Ltd.

Drawn	TITLE	
D.G.A.	Main Component Wiring Diagram	
Checked	Drawing No.	
D.F.G.	MS-230_Elec-01	Machine
		MS 230-1



**MS230-1
MULTIS RIPPER
Operating Manual**

SPECIFICATION SHEET

Type	MS230 Electric
Part number	MS230-1
Power output	2.0 h.p
Voltage	110v
Cycles	50
Machine dimensions (mm)	
Length	685
Width	380
Height	787
Weight (kg)	45
Working width mm	230
Engine/Motor rpm	1400

ELECTRICAL REQUIREMENTS

Machine	Volts	Plug size	Cable size (mm)	Norm Cable Length	Transformer	Generator
MS230	110	16A 3 pin	2.5mm 3 core	30 metres	3 Kva	5 Kva